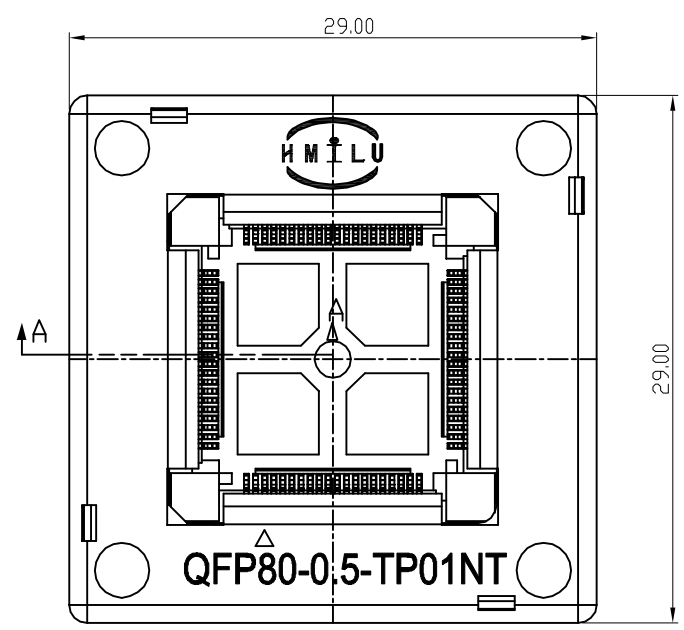
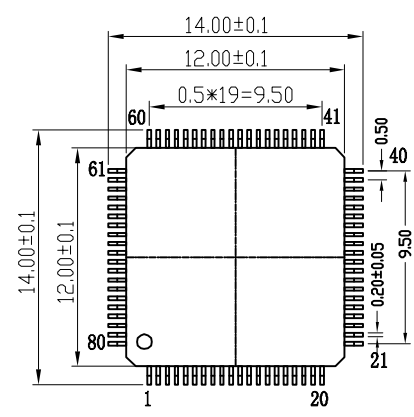


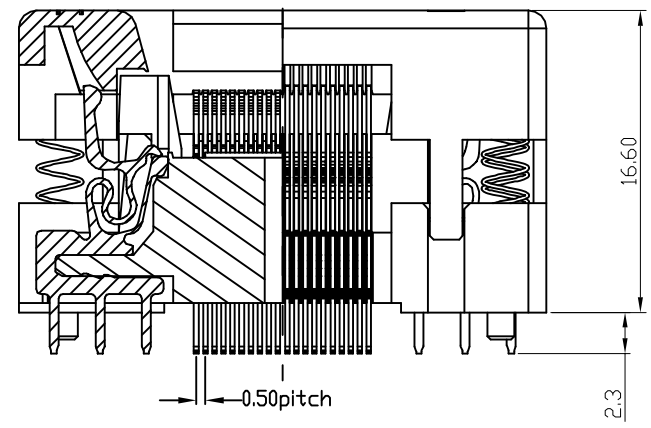
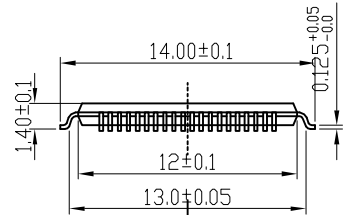
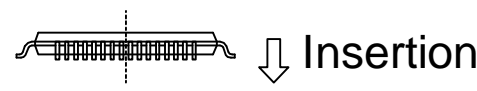
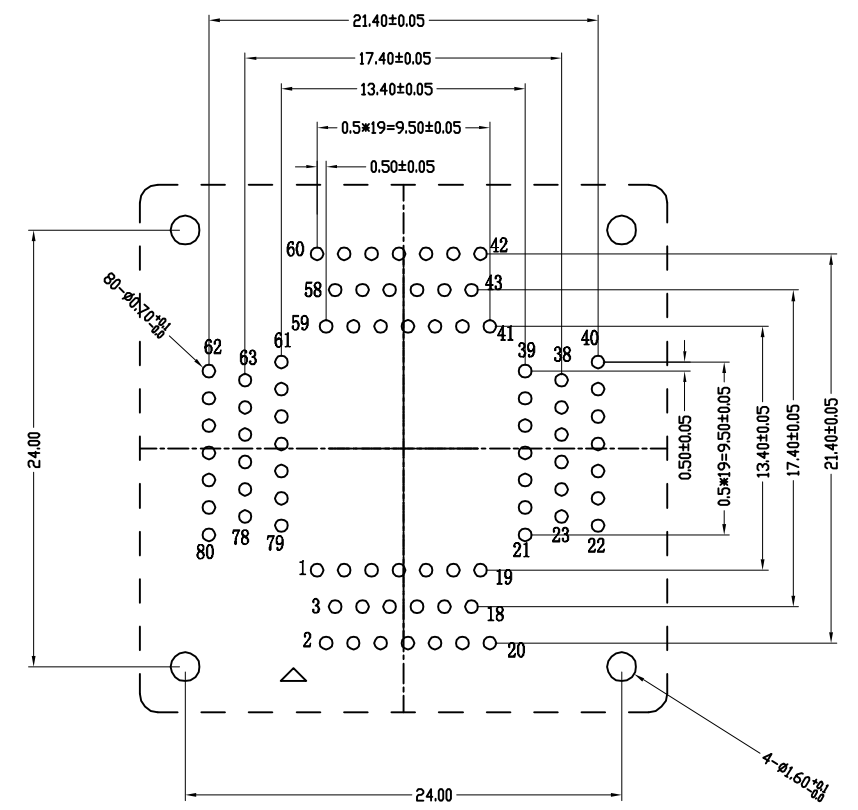
REVISION	DESCRIPTION	CHECK	APP	DATE	REV. NOTICE NO
1					
2					
3					



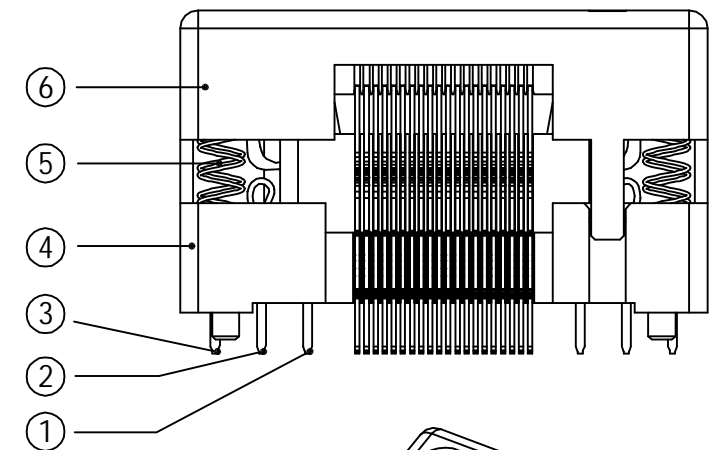
APPLICABLE IC



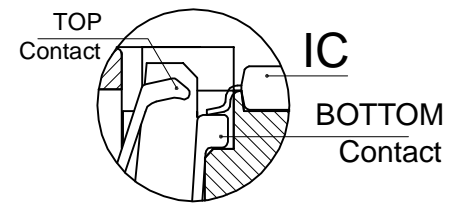
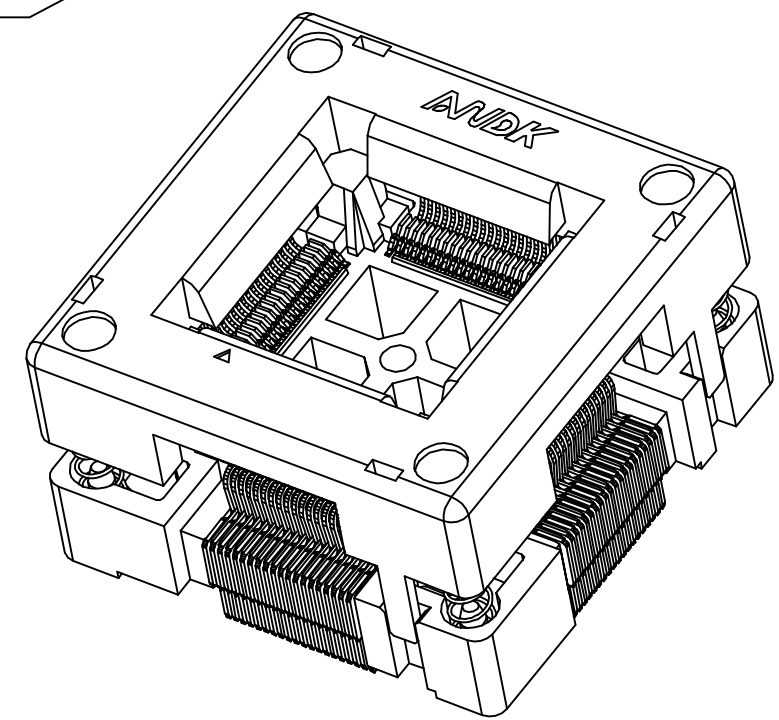
PCB PATTERN (TOP VIEW)



截面A-A



CONTACT LEAD W0.5XTO.25



CONTACT TIP DETAIL

PERFORMANCE

- Insulation Resistance: 1000MΩ Min. At DC 500V
- Dielectric Withstanding Voltage For 1 Minute At AC500V
- Contact Resistance(Initial) 100mΩ MAX at 10mA
- Rated Current: 1.0A.
- Operation Temperature range -65°C ~+150°C
- Terminal strength against pulling 0.5Kg(1min)
- Insertion Min10000 cycle (Mechanical)
- Material: Body:PAI,PES; Contact:BeCu,Au plating(Ni-base)

No	Part Number	Name	Material	Q/ty	Note
6	QFP80-0.5-XCR	COVER	PEI/PES	1	BLACK
5	30-B-4515X	SPRING	SUS	4	FOR COVER
4	QFP80-0.5-XBY	BODY	PEI/PES	1	BLACK
3	QFP80-0.5-XCTC	CONTACT	BeCu	28	FOR COVER
2	QFP80-0.5-XCTB	CONTACT	BeCu	24	BLACK
1	QFP80-0.5-XCTA	CONTACT	BeCu	28	Au PLATING

TOLERANCE	PROJECTION	GENERAL TOLERANCES	±0.10	TITLE	QFP80-0.5 SOCKET
X. ±0.50	DIMENSION: mm	R E V	A	CLASS	QFP80-0.5-TP01NT
X. X ±0.25	APP:	SCALE: 1:1	DATE:	DRW. NO	03
X. XX ±0.10	CHECK:	DATE:			
X. XXX ±0.05	DEGK: ENG03	DATE: 20150606			

