

3.3V Differential LVPECL-to-LVTTL Translator

Features

- 3.3V Power Supply
- 2.0 ns Typical Propagation Delay
- Low Power
- Differential LVPECL Inputs
- 24 mA TTL Outputs
- Flow-Through Pinouts
- Available in 8-Lead SOIC Package

General Description

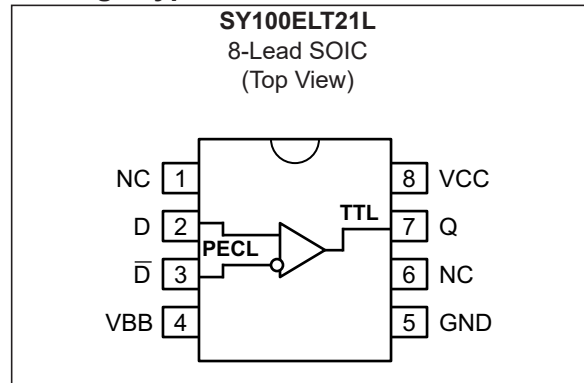
The SY100ELT21L is a single differential LVPECL-to-LVTTL translator that uses a single +3.3V power supply. Because LVPECL (low voltage positive ECL) levels are used, only +3.3V and ground are required. The small outline 8-lead SOIC package and low skew single gate design make the ELT21L ideal for applications that require the translation of a clock or data signal where minimal space, low power, and low cost are critical.

VBB allows a differential, single-ended, or AC-coupled interface to the device. If used, the VBB output should be bypassed to VCC with a 0.01 μ F capacitor.

Under open input conditions, the /D will be biased at a $V_{CC}/2$ voltage level and the D input will be pulled to ground. This condition will force the Q output low to provide added stability.

The ELT21L is compatible with positive ECL 100K logic levels.

Package Type



SY100ELT21L

1.0 ELECTRICAL CHARACTERISTICS

Absolute Maximum Ratings †

Power Supply Voltage (V_{CC})	-0.5V to +3.8V
PECL Input Voltage (V_{IN})	0V to $V_{CC}+0.5V$
Voltage Applied to Output at High State (V_{OUT})	-0.5V to V_{CC}
Current Applied to Output at Low State (I_{OUT})	Twice the Rated I_{OL} in mA

† **Notice:** Permanent device damage can occur if absolute maximum ratings are exceeded. This is a stress rating only and functional operation is not implied at conditions other than those detailed in the operational sections of this data sheet. Exposure to absolute maximum rating conditions for extended periods may affect device reliability.

TTL DC ELECTRICAL CHARACTERISTICS

Electrical Characteristics: $V_{CC} = +3.3V \pm 5\%$; Values valid from $-40^{\circ}C$ to $+85^{\circ}C$ unless otherwise noted.						
Parameter	Symbol	Min.	Typ.	Max.	Units	Conditions
Output Short Circuit Current	I_{OS}	-275	—	-80	mA	$V_{OUT} = 0V$
Power Supply Current	I_{CC}	—	—	20	mA	Valid for $-40^{\circ}C$, $0^{\circ}C$, and $+85^{\circ}C$
		—	14	20		Valid for $+25^{\circ}C$
Output High Voltage	V_{OH}	2.0	—	—	V	$I_{OH} = -3.0$ mA
Output Low Voltage	V_{OL}	—	—	0.5	V	$I_{OL} = 24$ mA

PECL DC ELECTRICAL CHARACTERISTICS

Electrical Characteristics: $V_{CC} = +3.3V \pm 5\%$; Values valid from $-40^{\circ}C$ to $+85^{\circ}C$ unless otherwise noted.						
Parameter	Symbol	Min.	Typ.	Max.	Units	Conditions
Input High Current	I_{IH}	—	—	150	μA	—
Input Low Current	I_{IL}	0.5	—	—	μA	—
Input High Voltage	V_{IH}	2135	—	2420	mV	Note 1
Input Low Voltage	V_{IL}	1490	—	1825	mV	Note 1
Common Mode Range	V_{CMR}	1.2	—	V_{CC}	V	—
Reference Output	V_{BB}	1920	—	2040	mV	Note 1, Valid for $-40^{\circ}C$, $0^{\circ}C$, and $+85^{\circ}C$
		1920	1980	2040		Note 1, Valid for $+25^{\circ}C$

Note 1: These values are for $V_{CC} = 3.3V$. Level specifications will vary 1:1 V_{CC} .

AC ELECTRICAL CHARACTERISTICS

Electrical Characteristics: $V_{CC} = +3.3V \pm 5\%$; Values valid from $-40^{\circ}C$ to $+85^{\circ}C$ unless otherwise noted.						
Parameter	Symbol	Min.	Typ.	Max.	Units	Condition
Propagation Delay	t_{PLH}	1.5	—	2.5	ns	$C_L = 20$ pF, Valid for $-40^{\circ}C$, $0^{\circ}C$, & $+85^{\circ}C$
	t_{PHL}	1.5	2.0	2.5		$C_L = 20$ pF, Valid for $+25^{\circ}C$
Part-to-Part Skew	t_{SKPP}	—	—	0.5	ns	$C_L = 20$ pF, Note 1 , Note 2
Maximum Input Frequency	f_{MAX}	275	—	—	MHz	$C_L = 20$ pF, Note 2 , Note 3 , Note 4
Input Swing	V_{PP}	200	—	1000	mV	Note 5
Output Rise/Fall Time (1.0V to 2.0V)	t_r/t_f	0.5	—	1.0	ns	$C_L = 20$ pF

- Note 1:** Part-to-part skew considering high-to-high transitions at common V_{CC} level.
- 2:** These parameters are guaranteed, but not tested.
- 3:** Frequency at which output levels will meet a 0.8V to 2.0V minimum swing.
- 4:** The f_{MAX} value is specified as the minimum guaranteed maximum frequency. Actual operational maximum frequency may be greater.
- 5:** Input swing for which AC parameters are guaranteed. Minimum input swing guarantees full logic at output.

TEMPERATURE SPECIFICATIONS

Parameters	Sym.	Min.	Typ.	Max.	Units	Conditions
Temperature Ranges						
Lead Temperature	—	—	—	+260	$^{\circ}C$	Soldering, 20 sec.
Ambient Operating Temperature	T_A	-40	—	+85	$^{\circ}C$	—
Storage Temperature	T_S	-65	—	+150	$^{\circ}C$	—

TRUTH TABLE

D	/D	Q
L	H	L
H	L	H
Open	Open	L

SY100ELT21L

2.0 PIN DESCRIPTIONS

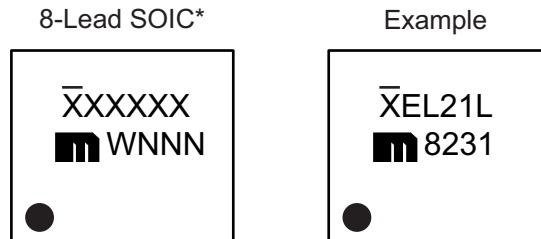
The descriptions of the pins are listed in [Table 2-1](#).

TABLE 2-1: PIN FUNCTION TABLE

Pin Number	Pin Name	Description
1, 6	NC	No connect.
2, 3	D, /D	Differential LVPECL inputs.
4	VBB	Reference output.
5	GND	Ground.
7	Q	TTL output.
8	VCC	+3.3V supply.

3.0 PACKAGING INFORMATION

3.1 Package Marking Information



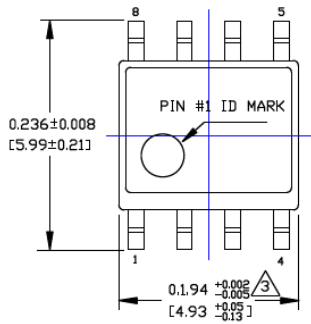
Legend:	XX...X	Product code or customer-specific information
	Y	Year code (last digit of calendar year)
	YY	Year code (last 2 digits of calendar year)
	WW	Week code (week of January 1 is week '01')
	NNN	Alphanumeric traceability code
	(e3)	Pb-free JEDEC [®] designator for Matte Tin (Sn)
	*	This package is Pb-free. The Pb-free JEDEC designator (e3) can be found on the outer packaging for this package.
	•, ▲, ▼	Pin one index is identified by a dot, delta up, or delta down (triangle mark).
Note:	In the event the full Microchip part number cannot be marked on one line, it will be carried over to the next line, thus limiting the number of available characters for customer-specific information. Package may or may not include the corporate logo.	
	Underbar (_) and/or Overbar (¯) symbol may not be to scale.	

SY100ELT21L

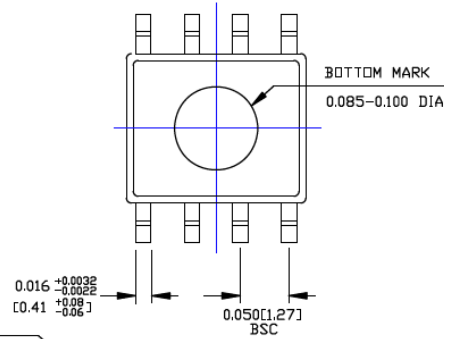
TITLE

8 LEAD SOICN PACKAGE OUTLINE & RECOMMENDED LAND PATTERN

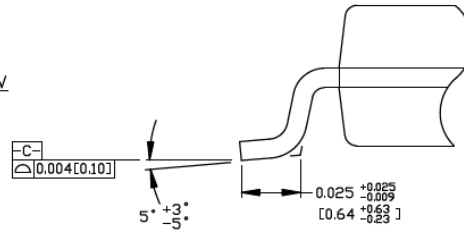
DRAWING #	SOICN-8LD-PL-1	UNIT	INCH [MM]
------------------	----------------	-------------	-----------



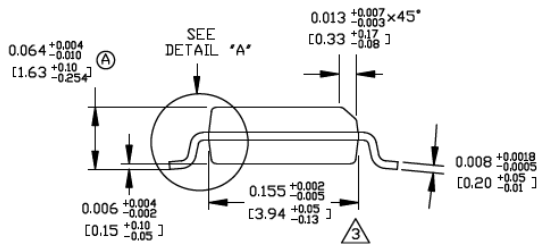
TOP VIEW



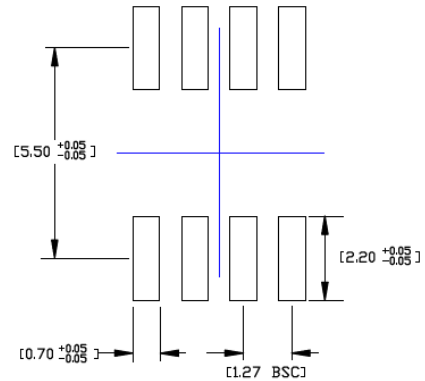
BOTTOM VIEW



DETAIL "A"



END VIEW



RECOMMENDED LAND PATTERN

NOTES:

1. DIMENSIONS ARE IN INCHES[MM].
2. CONTROLLING DIMENSION: INCHES.
3. DIMENSION DOES NOT INCLUDE MOLD FLASH OR PROTRUSIONS, EITHER OF WHICH SHALL NOT EXCEED 0.010[0.25] PER SIDE.

Note: For the most current package drawings, please see the Microchip Packaging Specification located at <http://www.microchip.com/packaging>.

APPENDIX A: REVISION HISTORY

Revision A (June 2019)

- Converted Micrel document SY100ELT21L to Microchip data sheet DS20006213A.
- Minor text changes throughout.
- Removal of all reference to the discontinued SY100ELT21L.
- Updated V_{PP} values and associated note in [AC Electrical Characteristics](#).

SY100ELT21L

NOTES:

PRODUCT IDENTIFICATION SYSTEM

To order or obtain information, e.g., on pricing or delivery, contact your local Microchip representative or sales office.

<u>Part No.</u>	<u>X</u>	<u>X</u>	<u>X</u>	<u>-XX</u>
Device	Supply Voltage	Package	Temp. Range	Packing
Device:	SY100ELT21: Differential LVPECL-to-LVTTL Translator			
Supply Voltage:	L	=	3.3V	
Package:	Z	=	8-Lead SOIC	
Temperature Range:	G	=	-40°C to +85°C (NiPdAu Lead-Free)	
Tape and Reel:	<blank>	=	95/Tube	
	TR	=	1,000/Reel	

Examples:

- a) SY100ELT21LZG:
SY100ELT21, 3.3V Supply Voltage,
8-Lead SOIC, -40°C to +85°C Temperature Range,
95/Tube
- b) SY100ELT21LZG-TR:
SY100ELT21, 3.3V Supply Voltage,
8-Lead SOIC, -40°C to +85°C Temperature Range,
1,000/Reel

Note 1: Tape and Reel identifier only appears in the catalog part number description. This identifier is used for ordering purposes and is not printed on the device package. Check with your Microchip Sales Office for package availability with the Tape and Reel option.

SY100ELT21L

NOTES:

Note the following details of the code protection feature on Microchip devices:

- Microchip products meet the specification contained in their particular Microchip Data Sheet.
- Microchip believes that its family of products is one of the most secure families of its kind on the market today, when used in the intended manner and under normal conditions.
- There are dishonest and possibly illegal methods used to breach the code protection feature. All of these methods, to our knowledge, require using the Microchip products in a manner outside the operating specifications contained in Microchip's Data Sheets. Most likely, the person doing so is engaged in theft of intellectual property.
- Microchip is willing to work with the customer who is concerned about the integrity of their code.
- Neither Microchip nor any other semiconductor manufacturer can guarantee the security of their code. Code protection does not mean that we are guaranteeing the product as “unbreakable.”

Code protection is constantly evolving. We at Microchip are committed to continuously improving the code protection features of our products. Attempts to break Microchip's code protection feature may be a violation of the Digital Millennium Copyright Act. If such acts allow unauthorized access to your software or other copyrighted work, you may have a right to sue for relief under that Act.

Information contained in this publication regarding device applications and the like is provided only for your convenience and may be superseded by updates. It is your responsibility to ensure that your application meets with your specifications. MICROCHIP MAKES NO REPRESENTATIONS OR WARRANTIES OF ANY KIND WHETHER EXPRESS OR IMPLIED, WRITTEN OR ORAL, STATUTORY OR OTHERWISE, RELATED TO THE INFORMATION, INCLUDING BUT NOT LIMITED TO ITS CONDITION, QUALITY, PERFORMANCE, MERCHANTABILITY OR FITNESS FOR PURPOSE. Microchip disclaims all liability arising from this information and its use. Use of Microchip devices in life support and/or safety applications is entirely at the buyer's risk, and the buyer agrees to defend, indemnify and hold harmless Microchip from any and all damages, claims, suits, or expenses resulting from such use. No licenses are conveyed, implicitly or otherwise, under any Microchip intellectual property rights unless otherwise stated.

Trademarks

The Microchip name and logo, the Microchip logo, Adaptec, AnyRate, AVR, AVR logo, AVR Freaks, BesTime, BitCloud, chipKIT, chipKIT logo, CryptoMemory, CryptoRF, dsPIC, FlashFlex, flexPWR, HELDO, IGLOO, JukeBlox, KeeLoq, Klear, LANCheck, LinkMD, maXStylus, maXTouch, MediaLB, megaAVR, Microsemi, Microsemi logo, MOST, MOST logo, MPLAB, OptoLyzer, PackeTime, PIC, picoPower, PICSTART, PIC32 logo, PolarFire, Prochip Designer, QTouch, SAM-BA, SenGenuity, SpyNIC, SST, SST Logo, SuperFlash, Symmetricom, SyncServer, Tachyon, TempTrackr, TimeSource, tinyAVR, UNI/O, Vectron, and XMEGA are registered trademarks of Microchip Technology Incorporated in the U.S.A. and other countries.

APT, ClockWorks, The Embedded Control Solutions Company, EtherSynch, FlashTec, Hyper Speed Control, HyperLight Load, IntelliMOS, Libero, motorBench, mTouch, Powermite 3, Precision Edge, ProASIC, ProASIC Plus, ProASIC Plus logo, Quiet-Wire, SmartFusion, SyncWorld, Temux, TimeCesium, TimeHub, TimePictra, TimeProvider, Vite, WinPath, and ZL are registered trademarks of Microchip Technology Incorporated in the U.S.A.

Adjacent Key Suppression, AKS, Analog-for-the-Digital Age, Any Capacitor, AnyIn, AnyOut, BlueSky, BodyCom, CodeGuard, CryptoAuthentication, CryptoAutomotive, CryptoCompanion, CryptoController, dsPICDEM, dsPICDEM.net, Dynamic Average Matching, DAM, ECAN, EtherGREEN, In-Circuit Serial Programming, ICSP, INICnet, Inter-Chip Connectivity, JitterBlocker, KlearNet, KlearNet logo, memBrain, Mindi, MiWi, MPASM, MPF, MPLAB Certified logo, MPLIB, MPLINK, MultiTRAK, NetDetach, Omniscient Code Generation, PICDEM, PICDEM.net, PICKit, PICtail, PowerSmart, PureSilicon, QMatrix, REAL ICE, Ripple Blocker, SAM-ICE, Serial Quad I/O, SMART-I.S., SQI, SuperSwitcher, SuperSwitcher II, Total Endurance, TSHARC, USBCheck, VariSense, ViewSpan, WiperLock, Wireless DNA, and ZENA are trademarks of Microchip Technology Incorporated in the U.S.A. and other countries.

SQTP is a service mark of Microchip Technology Incorporated in the U.S.A.

The Adaptec logo, Frequency on Demand, Silicon Storage Technology, and Symmcom are registered trademarks of Microchip Technology Inc. in other countries.

GestIC is a registered trademark of Microchip Technology Germany II GmbH & Co. KG, a subsidiary of Microchip Technology Inc., in other countries.

All other trademarks mentioned herein are property of their respective companies.

© 2019, Microchip Technology Incorporated, All Rights Reserved.

ISBN: 978-1-5224-4596-8

For information regarding Microchip's Quality Management Systems, please visit www.microchip.com/quality.



MICROCHIP

Worldwide Sales and Service

AMERICAS

Corporate Office

2355 West Chandler Blvd.
Chandler, AZ 85224-6199

Tel: 480-792-7200

Fax: 480-792-7277

Technical Support:

[http://www.microchip.com/
support](http://www.microchip.com/support)

Web Address:

www.microchip.com

Atlanta

Duluth, GA

Tel: 678-957-9614

Fax: 678-957-1455

Austin, TX

Tel: 512-257-3370

Boston

Westborough, MA

Tel: 774-760-0087

Fax: 774-760-0088

Chicago

Itasca, IL

Tel: 630-285-0071

Fax: 630-285-0075

Dallas

Addison, TX

Tel: 972-818-7423

Fax: 972-818-2924

Detroit

Novi, MI

Tel: 248-848-4000

Houston, TX

Tel: 281-894-5983

Indianapolis

Noblesville, IN

Tel: 317-773-8323

Fax: 317-773-5453

Tel: 317-536-2380

Los Angeles

Mission Viejo, CA

Tel: 949-462-9523

Fax: 949-462-9608

Tel: 951-273-7800

Raleigh, NC

Tel: 919-844-7510

New York, NY

Tel: 631-435-6000

San Jose, CA

Tel: 408-735-9110

Tel: 408-436-4270

Canada - Toronto

Tel: 905-695-1980

Fax: 905-695-2078

ASIA/PACIFIC

Australia - Sydney

Tel: 61-2-9868-6733

China - Beijing

Tel: 86-10-8569-7000

China - Chengdu

Tel: 86-28-8665-5511

China - Chongqing

Tel: 86-23-8980-9588

China - Dongguan

Tel: 86-769-8702-9880

China - Guangzhou

Tel: 86-20-8755-8029

China - Hangzhou

Tel: 86-571-8792-8115

China - Hong Kong SAR

Tel: 852-2943-5100

China - Nanjing

Tel: 86-25-8473-2460

China - Qingdao

Tel: 86-532-8502-7355

China - Shanghai

Tel: 86-21-3326-8000

China - Shenyang

Tel: 86-24-2334-2829

China - Shenzhen

Tel: 86-755-8864-2200

China - Suzhou

Tel: 86-186-6233-1526

China - Wuhan

Tel: 86-27-5980-5300

China - Xian

Tel: 86-29-8833-7252

China - Xiamen

Tel: 86-592-2388138

China - Zhuhai

Tel: 86-756-3210040

ASIA/PACIFIC

India - Bangalore

Tel: 91-80-3090-4444

India - New Delhi

Tel: 91-11-4160-8631

India - Pune

Tel: 91-20-4121-0141

Japan - Osaka

Tel: 81-6-6152-7160

Japan - Tokyo

Tel: 81-3-6880-3770

Korea - Daegu

Tel: 82-53-744-4301

Korea - Seoul

Tel: 82-2-554-7200

Malaysia - Kuala Lumpur

Tel: 60-3-7651-7906

Malaysia - Penang

Tel: 60-4-227-8870

Philippines - Manila

Tel: 63-2-634-9065

Singapore

Tel: 65-6334-8870

Taiwan - Hsin Chu

Tel: 886-3-577-8366

Taiwan - Kaohsiung

Tel: 886-7-213-7830

Taiwan - Taipei

Tel: 886-2-2508-8600

Thailand - Bangkok

Tel: 66-2-694-1351

Vietnam - Ho Chi Minh

Tel: 84-28-5448-2100

EUROPE

Austria - Wels

Tel: 43-7242-2244-39

Fax: 43-7242-2244-393

Denmark - Copenhagen

Tel: 45-4450-2828

Fax: 45-4485-2829

Finland - Espoo

Tel: 358-9-4520-820

France - Paris

Tel: 33-1-69-53-63-20

Fax: 33-1-69-30-90-79

Germany - Garching

Tel: 49-8931-9700

Germany - Haan

Tel: 49-2129-3766400

Germany - Heilbronn

Tel: 49-7131-72400

Germany - Karlsruhe

Tel: 49-721-625370

Germany - Munich

Tel: 49-89-627-144-0

Fax: 49-89-627-144-44

Germany - Rosenheim

Tel: 49-8031-354-560

Israel - Ra'anana

Tel: 972-9-744-7705

Italy - Milan

Tel: 39-0331-742611

Fax: 39-0331-466781

Italy - Padova

Tel: 39-049-7625286

Netherlands - Drunen

Tel: 31-416-690399

Fax: 31-416-690340

Norway - Trondheim

Tel: 47-7288-4388

Poland - Warsaw

Tel: 48-22-3325737

Romania - Bucharest

Tel: 40-21-407-87-50

Spain - Madrid

Tel: 34-91-708-08-90

Fax: 34-91-708-08-91

Sweden - Gothenberg

Tel: 46-31-704-60-40

Sweden - Stockholm

Tel: 46-8-5090-4654

UK - Wokingham

Tel: 44-118-921-5800

Fax: 44-118-921-5820