
32-bit Motor Control Application MCUs with FPU, ECC Flash, and 128 KB Flash, 32 KB SRAM, and Op amps

Operating Conditions: 2.3V to 3.6V

- -40°C to +85°C, DC to 120 MHz
- -40°C to +125°C, DC to 80 MHz

Core: 120 MHz (up to 198 DMIPS)

- MIPS32[®] microAptiv™ MCU core with Floating Point Unit
- microMIPS™ mode for up to 40% smaller code size
- DSP-enhanced core:
 - Four 64-bit accumulators
 - Single-cycle MAC, saturating and fractional math
- Code-efficient (C and Assembly) architecture
- Two 32-bit core register files to reduce interrupt latency

Clock Management

- 8 MHz ±4% (FRC) internal oscillator -40°C to +85°C
- Programmable PLLs and oscillator clock sources:
 - HS and EC clock modes
- 32 kHz Internal Low-power RC oscillator (LPRC)
- Independent external low-power 32 kHz crystal oscillator
- Fail-Safe Clock Monitor (FSCM)
- Independent Watchdog Timers (WDT) and Deadman Timer (DMT)
- Fast wake-up and start-up
- Four Fractional clock out (REFCLKO) modules

Power Management

- Low-power management modes (Sleep and Idle)
- Integrated:
 - Power-on Reset (POR) and Brown-out Reset (BOR)
 - Programmable High/Low Voltage Detect (HLVD)
- On-board capacitorless regulator

Motor Control PWM

- Up to four PWM pairs
- Leading-edge and Trailing-edge blanking
- Dead Time for rising and falling edges
- Dead Time Compensation
- 8.33 ns PWM Resolution
- Clock Chopping for High-Frequency Operation
- PWM Support for:
 - DC/DC, AC/DC, inverters, PFC, lighting
 - BLDC, PMSM, ACIM, SRM motors
- Choice of 7 Fault and Current Limit Inputs
- Flexible Trigger Configuration for ADC Triggering

Motor Encoder Interface

- Two Quadrature Encoder Interface (QEI) modules:
 - Four inputs: Phase A, Phase B, Home, and Index

Audio/Graphics/Touch Interfaces

- Up to two I²S audio data communication interfaces
- Up to two SPI control interfaces
- Programmable host clock:
 - Generation of fractional clock frequencies
 - Can be tuned in run-time

Unique Features

- Permanent non-volatile 4-word unique device serial number
- Flash Error Code Correction (ECC)

Direct Memory Access (DMA)

- Up to eight channels with automatic data size detection
- Programmable Cyclic Redundancy Check (CRC)
- Up to 64 KB transfers

Security Features

- Advanced Memory Protection:
 - Peripheral and memory region access control

Advanced Analog Features

- 12-bit ADC module:
 - 3 individual ADC modules
 - 3.75 Msps per S&H with dedicated DMA
 - Up to 18 analog inputs
- Flexible and independent ADC trigger sources
- Three high bandwidth op-amps and comparators
- One 12-bit CDACs
- Internal temperature sensor ±2°C accuracy

Communication Interfaces

- Up to two UART modules (up to 25 Mbps):
 - Supports LIN 2.1 and IrDA[®] protocols
- Two SPI/I²S modules (SPI 50 Mbps)
- Two I²C modules (up to 1 Mbaud) with SMBus support
- Peripheral Pin Select (PPS) to enable remappable pin functions

Timers/Output Compare/Input Capture/RTCC

- Up to five 16-bit or one 16-bit and four 32-bit timers/counters
- 4 Output Compare (OC) modules
- 4 Input Capture (IC) modules
- PPS to enable function remap
- Real-Time Clock and Calendar (RTCC) module

Input/Output

- 5V-tolerant pins with up to 22 mA source/sink
- Selectable internal open drain, pull-ups, and pull-downs
- External interrupts on all I/O pins
- Five programmable edge/level-triggered interrupt pins

Qualification and Class B Support

- Back-up internal oscillator
- Clock monitor with back-up internal oscillator
- Global register locking

Debugger Development Support

- In-circuit and in-application programming
- 2-wire or 4-wire MIPS[®] Enhanced JTAG interface
- Unlimited software and 12 complex breakpoints
- IEEE[®] 1149.2-compatible (JTAG) boundary scan
- Non-intrusive hardware-based instruction trace

Software and Tools Support: Develop Prototypes Quickly With Our Powerful, Easy-to-Use Ecosystem

- Get your code off to a head start with MPLAB Code Configurator
- Graphically configure peripherals, software libraries, and supported RTOS with MPLAB Harmony
- Download MPLAB XC Compiler
- Take advantage of MPLAB X IDE's support for 32-bit MCUs
- Select the best debugger for your project: MPLAB ICD, PICKit™ or Snap

PIC32MK MCA Family

TABLE 0-1: PACKAGES

Type	VQFN		TQFP	SSOP
Pin Count	48	32	48	28
I/O Pins (up to)	37	24	37	20
Contact/Lead Pitch	0.4 mm	0.5 mm	0.5 mm	0.65 mm
Dimensions	6 x 6 x 0.9 mm	5 x 5 x 1 mm	7 x 7 x 1 mm	5.3 x 10.2 x 2 mm

TABLE 1: PIC32MK MCA FAMILY FEATURES

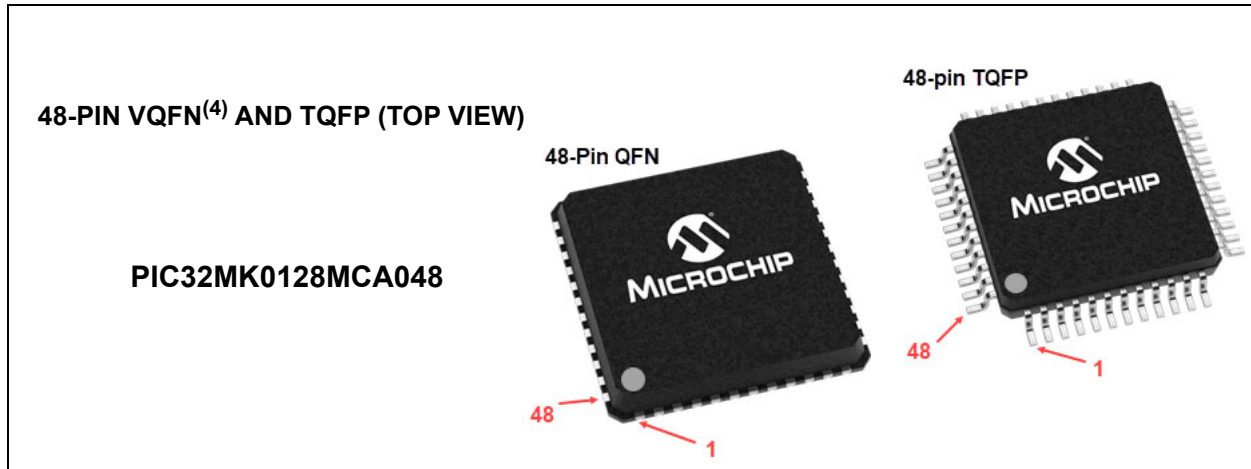
Device	Program Memory	Data Memory	Floating Point Unit (FPU)	Pins	Packages	Boot Flash Memory	Remappable Pin Functions				Motor Control PWM Pairs	QEI (Quadrature Encoder)	DMA Channels w/CRC Programmable/Dedicated (Programmable/Dedicated)	Independent ADC Modules	ADC Channels	Op Amp/Comparator	I ² C	RTCC	REFCLK	CDAC (Control DAC)	CTMU	CLC (Configurable Logic Cell)	HLVD	I/O Pins	JTAG/ICSP
							Timers/Capture/Compare ⁽¹⁾	UART	SPI/I ² S	External Interrupts ⁽²⁾															
PIC32MK0128MCA048	128K	32K	Y	48 48	VQFN TQFP	16K	5/4/4	2	2/2	5	4	2	8/1	3	18	3/3	2	Y	4	1	1	1	1	37	Y
PIC32MK0128MCA032	128K	32K	Y	32	VQFN	16K	5/4/4	2	2/2	5	4	2	8/1	3	12	2/2	2	Y	4	1	1	1	1	24	Y
PIC32MK0128MCA028	128K	32K	Y	28	SSOP	16K	5/4/4	2	2/2	5	3	2	8/1	3	10	2/2	1	Y	4	-	1	1	1	20	Y

Note 1: Four out of five timers are remappable.
2: Four out of five external interrupts are remappable.

PIC32MK MCA Family

Device Pin Tables

TABLE 2: PIN NAMES FOR 48-PIN PIC32MK MCA DEVICES



Pin #	Full Pin Name	Pin #	Full Pin Name
1	RPA7 / PWML4 / RA7	25	AN13 / RPA4 / T1G / RA4
2	RPB14 / PWMH1 / RB14	26	VDD
3	RPB15 / PWML1 / RB15	27	OSCI/CLKI / AN17 / RPC12 / RC12
4	MCLR	28	OSCO / CLKO / RPC15 / RC15
5	VSS	29	VSS
6	VDD	30	RPD8 / RD8
7	AN11 / C1IN4- / RPA12 / FLT13 / RA12	31	PGD2 / RPB5 / SDA1 / RB5
8	AN10 / C2IN4- / RPA11 / FLT14 / RA11	32	PGC2/RPB6 / SCL1 / RB6
9	OA2OUT / AN0 / C2IN2- / RPA0 / RA0	33	AN14 / RPC10 / RC10
10	OA2IN+ / AN1 / C2IN1+ / C2IN3- / RPA1 / RA1	34	AN15 / RPB7 / SCK1 / INT0 / RB7
11	PGD3 / VREF- / OA2IN- / AN2 / C2IN1- / RPB0 / CTED2 / RB0	35	SOSCI / RPC13 / RC13 ⁽⁵⁾
12	PGC3/OA1OUT / VREF+ / AN3 / C1IN2- / RPB1 / CTED1 / RB1	36	SOSCO / RPB8 / T1CK / RB8 ⁽⁵⁾
13	PGC1/OA1IN+ / AN4 / C1IN1+ / C1IN3- / RPB2 / RB2	37	TMS / AN16 / LVDIN / RPB9 / RB9
14	PGD1/OA1IN- / AN5 / CTCMP / C1IN1- / RTCC / RPB3 / RB3	38	RPC6 / RC6
15	AVDD	39	RPC7 / RC7
16	AVSS	40	RPC8 / RC8
17	OA3OUT / AN6 / C3IN2- / RPC0 / RC0	41	RPC9 / RC9
18	OA3IN- / AN7 / C3IN1- / RPC1 / RC1	42	VSS
19	OA3IN+ / AN8 / C3IN1+ / C3IN3- / RPC2 / FLT3 / RC2	43	VDD
20	AN9 / C3IN4- / FLT4 / RC11	44	TDO / RPB10 / PWMH3 / RB10
21	VSS	45	TCK / RPB11 / PWML3 / RB11
22	VDD	46	RPB12 / PWMH2 / RB12
23	DAC1 / AN12 / RPA8 / SDA2 / RA8	47	RPB13 / PWML2 / CTPLS / RB13
24	TDI / FLT15 / RPB4 / SCL2 / RB4	48	PWMH4 / RA10

- Note**
- 1: The RPN pins can be used by remappable peripherals. See Table 1 for the available peripherals and 11.3 "Peripheral Pin Select (PPS)" for restrictions.
 - 2: Every I/O port pin (RAX-RDx) can be used as a change notification pin (CNAX-CNDx). See 11.0 "I/O Ports" for more information.
 - 3: Shaded pins are 5V tolerant.
 - 4: The metal heat sink pad at the bottom of the device is not connected to any pins and is recommended to be connected to VSS externally.
 - 5: Functions are restricted to input functions only and inputs will be slower than the standard inputs. Change notification interrupt is not available on this pin.

PIC32MK MCA Family

TABLE 3: PIN NAMES FOR 32-PIN PIC32MK MCA DEVICES



Pin #	Full Pin Name	Pin #	Full Pin Name
1	RPB14 / PWMH1 / RB14	17	AN13 / RPA4 / T1G / RA4
2	RPB15/PWML1/RB15	18	VDD
3	MCLR	19	OSCI/CLKI / AN17 / RPC12 / RC12
4	VSS	20	OSCO / CLKO / RPC15 / RC15
5	VDD	21	VSS
6	OA2OUT / AN0 / C2IN2- / RPA0 / RA0	22	PGD2/RPB5 / SDA1 / RB5
7	OA2IN+ / AN1 / C2IN1+ / C2IN3- / RPA1 / RA1	23	PGC2/RPB6 / SCL1 / RB6
8	PGD3/ VREF- / OA2IN- / AN2 / C2IN1- / RPB0 / CTED2 / RB0	24	AN15 / RPB7 / SCK1 / INT0 / RB7
9	PGC3/OA1OUT / VREF+ / AN3 / C1IN2- / RPB1 / CTED1 / RB1	25	TMS / AN16 / LVDIN / RPB9 / RB9
10	PGC1 / OA1IN+ / AN4 / C1IN1+ / C1IN3- / RPB2 / RB2	26	VSS
11	PGD1 / OA1IN- / AN5 / C1IN1- / RTCC / RPB3 / RB3	27	TDO / RPB10 / PWMH3 / RB10
12	AVDD	28	TCK / RPB11 / PWML3 / RB11
13	AVSS	29	RPB12 / PWMH2 / RB12
14	AN9 / FLT4 / RC11	30	RPB13 / PWML2 / CTPLS / RB13
15	DAC1/AN12 / RPA8 / SDA2 / RA8	31	PWMH4 / RA10
16	TDI / FLT15 / RPB4 / SCL2 / RB4	32	RPA7 / PWML4 / RA7

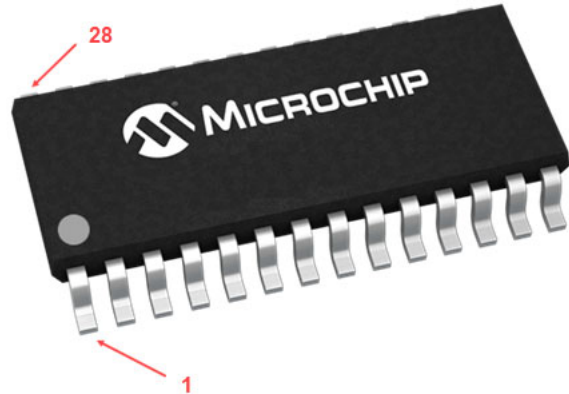
- Note**
- 1: The RPN pins can be used by remappable peripherals. See Table 1 for the available peripherals and 11.3 “Peripheral Pin Select (PPS)” for restrictions.
 - 2: Every I/O port pin (RAX-RDX) can be used as a change notification pin (CNAx-CNDx). See 11.0 “I/O Ports” for more information.
 - 3: Shaded pins are 5V tolerant.
 - 4: The metal heat sink pad at the bottom of the device is not connected to any pins and is recommended to be connected to VSS externally.

PIC32MK MCA Family

TABLE 4: PIN NAMES FOR 28-PIN PIC32MK MCA DEVICES

28-PIN SSOP (TOP VIEW)

PIC32MK0128MCA028



Pin #	Full Pin Name	Pin #	Full Pin Name
1	TCK / RPB11 / PWMH4 / PWML3 / RB11	15	AVDD
2	RPB12 / PWMH2 / RB12	16	AVSS
3	RPB13 / PWML2 / CTPLS / RB13	17	TDI / FLT15 / RPB4 / RB4
4	RPB14 / PWMH1 / RB14	18	AN13 / RPA4 / T1G / RA4
5	RPB15 / PWML1 / RB15	19	VDD
6	MCLR	20	OSCI/CLKI / AN17 / RPC12 / RC12
7	VSS	21	OSCO / CLKO / RPC15 / RC15
8	VDD	22	VSS
9	OA2OUT / AN0 / C2IN2- / RPA0 / RA0	23	PGD2/RPB5 / SDA1 / RB5
10	OA2IN+ / AN1 / C2IN1+ / C2IN3- / RPA1 / RA1	24	PGC2/RPB6 / SCL1 / RB6
11	PGD3/VREF- / OA2IN- / AN2 / C2IN1- / RPB0 / CTED2 / RB0	25	AN15 / RPB7 / SCK1 / INT0 / RB7
12	PGC3/OA1OUT / VREF+ / AN3 / C1IN2- / RPB1 / CTED1 / RB1	26	TMS / AN16 / LVDIN / RPB9 / RB9
13	PGC1/OA1IN+ / AN4 / C1IN1+ / C1IN3- / RPB2 / RB2	27	VSS
14	PGD1/OA1IN- / AN5 / CTCMP / C1IN1- / RTCC / RPB3 / RB3	28	TDO / RPB10 / PWMH3 / RB10

- Note**
- 1: The RPN pins can be used by remappable peripherals. See Table 1 for the available peripherals and 11.3 "Peripheral Pin Select (PPS)" for restrictions.
 - 2: Every I/O port pin (RAX-RDx) can be used as a change notification pin (CNAX-CNDx). See 11.0 "I/O Ports" for more information.
 - 3: Shaded pins are 5V tolerant.

Table of Contents

1.0	Device Overview	8
2.0	Guidelines for Getting Started with 32-bit MCUs.....	26
3.0	CPU.....	37
4.0	Memory Organization.....	59
5.0	Flash Program Memory.....	81
6.0	Resets	92
7.0	CPU Exceptions and Interrupt Controller.....	100
8.0	Oscillator Configuration.....	140
9.0	Prefetch Module	158
10.0	Direct Memory Access (DMA) Controller	164
11.0	I/O Ports	192
12.0	Timer1	224
13.0	Timer2 Through Timer9.....	230
14.0	Deadman Timer (DMT)	236
15.0	Watchdog Timer (WDT)	244
16.0	Input Capture.....	248
17.0	Output Compare	253
18.0	Serial Peripheral Interface (SPI) and Inter-IC Sound (I ² S).....	257
19.0	Inter-Integrated Circuit (I ² C).....	267
20.0	Universal Asynchronous Receiver Transmitter (UART).....	275
21.0	Configurable Logic Cell (CLC).....	287
22.0	Real-Time Clock and Calendar (RTCC).....	301
23.0	12-bit High-Speed Successive Approximation Register (SAR) Analog-to-Digital Converter (ADC).....	311
24.0	Op Amp/Comparator Module	451
25.0	Charge Time Measurement Unit (CTMU)	480
26.0	Control Digital-to-Analog Converter (CDAC).....	486
27.0	Quadrature Encoder Interface (QEI)	489
28.0	Motor Control PWM Module.....	505
29.0	High/Low-Voltage Detect (HLVD).....	554
30.0	Power-Saving Features	558
31.0	Special Features	565
32.0	Instruction Set	588
33.0	Migration Guide.....	586
34.0	Development Support.....	591
35.0	Electrical Characteristics	595
36.0	AC and DC Characteristics Graphs.....	652
37.0	Packaging Information.....	654
	Product Identification System	667
	The Microchip Web Site.....	674
	Customer Change Notification Service	674
	Customer Support.....	674

PIC32MK MCA Family

TO OUR VALUED CUSTOMERS

It is our intention to provide our valued customers with the best documentation possible to ensure successful use of your Microchip products. To this end, we will continue to improve our publications to better suit your needs. Our publications will be refined and enhanced as new volumes and updates are introduced.

If you have any questions or comments regarding this publication, please contact the Marketing Communications Department via E-mail at docerrors@microchip.com. We welcome your feedback.

Most Current Data Sheet

To obtain the most up-to-date version of this data sheet, please register at our Worldwide Web site at:

<http://www.microchip.com>

You can determine the version of a data sheet by examining its literature number found on the bottom outside corner of any page. The last character of the literature number is the version number, (e.g., DS30000000A is version A of document DS30000000).

Errata

An errata sheet, describing minor operational differences from the data sheet and recommended workarounds, may exist for current devices. As device/documentation issues become known to us, we will publish an errata sheet. The errata will specify the revision of silicon and revision of document to which it applies.

To determine if an errata sheet exists for a particular device, please check with one of the following:

- Microchip's Worldwide Web site; <http://www.microchip.com>
- Your local Microchip sales office (see last page)

When contacting a sales office, please specify which device, revision of silicon and data sheet (include literature number) you are using.

Customer Notification System

Register on our web site at www.microchip.com to receive the most current information on all of our products.

1.0 DEVICE OVERVIEW

Note: This data sheet summarizes the features of the PIC32MK MCA Family of devices. It is not intended to be a comprehensive reference source. To complement the information in this data sheet, refer to the documents listed in the *Documentation > Reference Manual* section of the Microchip PIC32 web site (www.microchip.com/pic32).

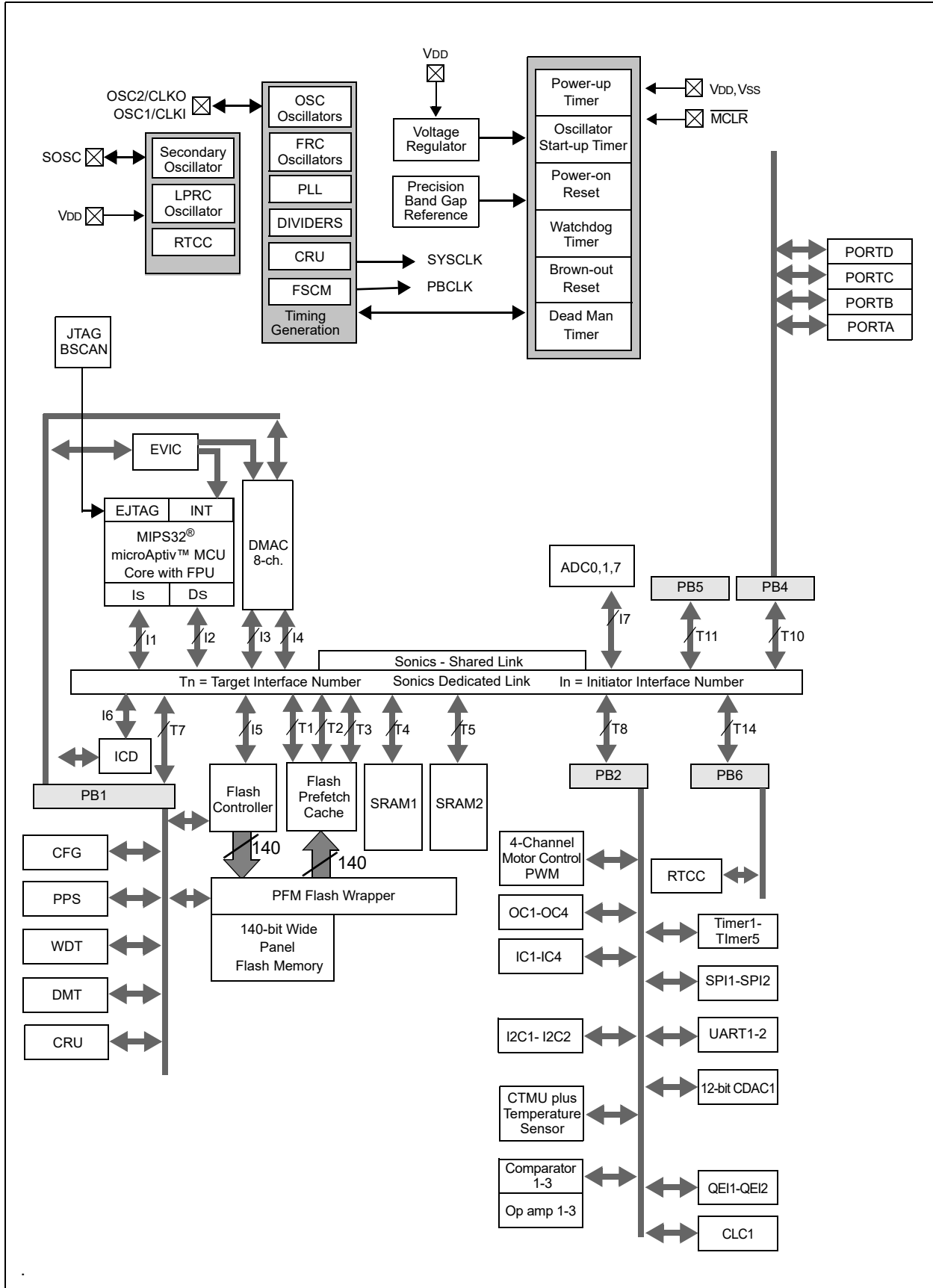
This data sheet contains device-specific information for DS60001690B of devices.

[Figure 1-1](#) illustrates a general block diagram of the core and peripheral modules in the PIC32MK MCA Family of devices.

[Table 1-1](#) through [Table 1-21](#) list the pinout I/O descriptions for the pins shown in the device pin tables (see [Table 2](#) - [Table 4](#)).

PIC32MK MCA Family

FIGURE 1-1: PIC32MK MCA FAMILY BLOCK DIAGRAM



PIC32MK MCA Family

TABLE 1-1: PORTA THROUGH PORTD REMAPPABLE PERIPHERAL DESCRIPTIONS

Pin Name	Pin Number			Pin Type	Buffer Type	Description
	48-Pin TQFP/VQFN	32-Pin VQFN	28 Pin SSOP			
PORT A						
RPA0	9	6	9	I/O	ST	Remappable PORTA Peripheral Functions
RPA1	10	7	10	I/O	ST	
RPA4	25	17	18	I/O	ST	
RPA7	1	32	-	I/O	ST	
RPA8	23	15	-	I/O	ST	
RPA11	8	-	-	I/O	ST	
RPA12	7	-	-	I/O	ST	
PORT B						
RPB0	11	8	11	I/O	ST	Remappable PORTB Peripheral Functions
RPB1	12	9	12	I/O	ST	
RPB2	13	10	13	I/O	ST	
RPB3	14	11	14	I/O	ST	
RPB4	24	16	17	I/O	ST	
RPB5	31	22	23	I/O	ST	
RPB6	32	23	24	I/O	ST	
RPB7	34	24	25	I/O	ST	
RPB8	36	-	-	I	ST	
RPB9	37	25	26	I/O	ST	
RPB10	44	27	28	I/O	ST	
RPB11	45	28	1	I/O	ST	
RPB12	46	29	2	I/O	ST	
RPB13	47	30	3	I/O	ST	
RPB14	2	1	4	I/O	ST	
RPB15	3	2	5	I/O	ST	
PORT C						
RPC0	17	-	-	I/O	ST	Remappable PORTC Peripheral Functions
RPC1	18	-	-	I/O	ST	
RPC2	19	-	-	I/O	ST	
RPC6	38	-	-	I/O	ST	
RPC7	39	-	-	I/O	ST	
RPC8	40	-	-	I/O	ST	
RPC9	41	-	-	I/O	ST	
RPC10	33	-	-	I/O	ST	
RPC12	27	19	20	I/O	ST	
RPC13	35	-	-	I	ST	
RPC15	28	20	21	I/O	ST	
PORT D						
RPD8	30	-	-	I/O	ST	Remappable PORTD Peripheral Functions

Legend: CMOS = CMOS-compatible input or output Analog = Analog input P = Power
 ST = Schmitt Trigger input with CMOS levels O = Output I = Input
 TTL = Transistor-transistor Logic input buffer PPS = Peripheral Pin Select

PIC32MK MCA Family

TABLE 1-2: PORTA THROUGH PORTD PINOUT I/O DESCRIPTIONS

Pin Name	Pin Number			Pin Type	Buffer Type	Description
	48-pin TQFP/VQFN	32-Pin VQFN	28-Pin SSOP			
PORT A						
RA0	9	6	9	I/O	ST	PORTA is a bidirectional I/O port
RA1	10	7	10	I/O	ST	
RA4	25	17	18	I/O	ST	
RA7	1	32	-	I/O	ST	
RA8	23	15	-	I/O	ST	
RA10	48	31	-	I/O	ST	
RA11	8	-	-	I/O	ST	
RA12	7	-	-	I/O	ST	
PORT B						
RB0	11	8	11	I/O	ST	PORTB is a bidirectional I/O port
RB1	12	9	12	I/O	ST	
RB2	13	10	13	I/O	ST	
RB3	14	11	14	I/O	ST	
RB4	24	16	17	I/O	ST	
RB5	31	22	23	I/O	ST	
RB6	32	23	24	I/O	ST	
RB7	34	24	25	I/O	ST	
RB8	36	-	-	I	ST	
RB9	37	25	26	I/O	ST	
RB10	44	27	28	I/O	ST	
RB11	45	28	1	I/O	ST	
RB12	46	29	2	I/O	ST	
RB13	47	30	3	I/O	ST	
RB14	2	1	4	I/O	ST	
RB15	3	2	5	I/O	ST	
PORT C						
RC0	17	-	-	I/O	ST	PORTC is a bidirectional I/O port
RC1	18	-	-	I/O	ST	
RC2	19	-	-	I/O	ST	
RC6	38	-	-	I/O	ST	
RC7	39	-	-	I/O	ST	
RC8	40	-	-	I/O	ST	
RC9	41	-	-	I/O	ST	
RC10	33	-	-	I/O	ST	
RC11	20	14	-	I/O	ST	
RC12	27	19	20	I/O	ST	
RC13	35	-	-	I	ST	
RC15	28	20	21	I/O	ST	

PIC32MK MCA Family

TABLE 1-2: PORTA THROUGH PORTD PINOUT I/O DESCRIPTIONS (CONTINUED)

PORT D						
RD8	30	-	-	I/O	ST	PORTD is a bidirectional I/O port
Legend: CMOS = CMOS-compatible input or output ST = Schmitt Trigger input with CMOS levels TTL = Transistor-transistor Logic input buffer			Analog = Analog input O = Output PPS = Peripheral Pin Select		P = Power I = Input	

TABLE 1-3: OSCILLATOR AND CLOCK PINOUT I/O DESCRIPTIONS

Pin Name	Pin Number			Pin Type	Buffer Type	Description
	48-Pin TQFP/VQFN	32-Pin VQFN	28-Pin SSOP			
CLKI	27	19	20	I	ST	External clock source input. Always associated with OSC1 pin function.
CLKO	28	20	21	O	CMOS	Oscillator crystal output. Connects to crystal in Crystal Oscillator mode. Optionally functions as CLKO in FRC and EC modes. Always associated with OSC2 pin function.
OSCI	27	19	20	I	ST/CMOS	Oscillator crystal input. ST buffer when configured in RC mode; CMOS otherwise.
OSCO	28	20	21	O	CMOS	Oscillator crystal output. Connects to crystal in Crystal Oscillator mode. Optionally functions as CLKO in FRC and EC modes.
SOSCI	35	-	-	I	CMOS	32.768 kHz low-power crystal input
SOSCO	36	-	-	O/I	ST/CMOS	32.768 low-power crystal output or 32.768 clock oscillator input when SOSSEN is disabled.
REFCLKI	PPS	PPS		I	CMOS	One of several alternate REFCLKOx user-selectable input clock sources.
REFCLKO1	PPS	PPS		O	CMOS	Reference Clock Generator Outputs 1-4
REFCLKO2	PPS	PPS		O	CMOS	
REFCLKO3	PPS	PPS		O	CMOS	
REFCLKO4	PPS	PPS		O	CMOS	

Legend: CMOS = CMOS-compatible input or output
ST = Schmitt Trigger input with CMOS levels
TTL = Transistor-transistor Logic input buffer
Analog = Analog input
O = Output
PPS = Peripheral Pin Select
P = Power
I = Input

TABLE 1-4: INPUT CAPTURE PINOUT I/O DESCRIPTIONS

Pin Name	Pin Number			Pin Type	Buffer Type	Description
	48-Pin TQFP/VQFN	32-Pin VQFN	28-Pin SSOP			
IC1	PPS	PPS	PPS	I	ST	Input Capture Inputs 1 - 4
IC2	PPS	PPS	PPS	I	ST	
IC3	PPS	PPS	PPS	I	ST	
IC4	PPS	PPS	PPS	I	ST	

Legend: CMOS = CMOS-compatible input or output
ST = Schmitt Trigger input with CMOS levels
TTL = Transistor-transistor Logic input buffer
Analog = Analog input
O = Output
PPS = Peripheral Pin Select
P = Power
I = Input

PIC32MK MCA Family

TABLE 1-5: OUTPUT COMPARE PINOUT I/O DESCRIPTIONS

Pin Name	Pin Number			Pin Type	Buffer Type	Description
	48-Pin TQFP/VQFN	32-Pin VQFN	28-Pin SSOP			
OC1	PPS	PPS	PPS	O	CMOS	Output Compare 1 - 4
OC2	PPS	PPS	PPS	O	CMOS	
OC3	PPS	PPS	PPS	O	CMOS	
OC4	PPS	PPS	PPS	O	CMOS	
OCFA	PPS	PPS	PPS	I	ST	Output Compare Fault A Input
OCFB	PPS	PPS	PPS	I	ST	Output Compare Fault B Input

Legend: CMOS = CMOS-compatible input or output Analog = Analog input P = Power
 ST = Schmitt Trigger input with CMOS levels O = Output I = Input
 TTL = Transistor-transistor Logic input buffer PPS = Peripheral Pin Select

TABLE 1-6: EXTERNAL INTERRUPTS PINOUT I/O DESCRIPTIONS

Pin Name	Pin Number			Pin Type	Buffer Type	Description
	48-Pin TQFP/VQFN	32-Pin VQFN	28-Pin SSOP			
INT0	34	24	25	I	ST	External Interrupt 0
INT1	PPS	PPS	PPS	I	ST	External Interrupt 1
INT2	PPS	PPS	PPS	I	ST	External Interrupt 2
INT3	PPS	PPS	PPS	I	ST	External Interrupt 3
INT4	PPS	PPS	PPS	I	ST	External Interrupt 4

Legend: CMOS = CMOS-compatible input or output Analog = Analog input P = Power
 ST = Schmitt Trigger input with CMOS levels O = Output I = Input
 TTL = Transistor-transistor Logic input buffer PPS = Peripheral Pin Select

TABLE 1-7: UART1 THROUGH UART2 PINOUT I/O DESCRIPTIONS

Pin Name	Pin Number			Pin Type	Buffer Type	Description
	48-Pin TQFP/VQFN	32-Pin VQFN	28-Pin SSOP			
Universal Asynchronous Receiver Transmitter 1						
U1RX	PPS	PPS	PPS	I	St	UART1 Receive
U1TX	PPS	PPS	PPS	O	CMOS	UART1 Transmit
U1CTS	PPS	PPS	PPS	I	ST	UART1 Clear to Send
U1RTS	PPS	PPS	PPS	O	CMOS	UART1 Request to Send
Universal Asynchronous Receiver Transmitter 2						
U2RX	PPS	PPS	PPS	I	ST	UART2 Receive
U2TX	PPS	PPS	PPS	O	CMOS	UART2 Transmit
U2CTS	PPS	PPS	PPS	I	ST	UART2 Clear to Send
U2RTS	PPS	PPS	PPS	O	CMOS	UART2 Request to Send

Legend: CMOS = CMOS-compatible input or output Analog = Analog input P = Power
 ST = Schmitt Trigger input with CMOS levels O = Output I = Input
 TTL = Transistor-transistor Logic input buffer PPS = Peripheral Pin Select

PIC32MK MCA Family

TABLE 1-8: SPI1 THROUGH SPI2 PINOUT I/O DESCRIPTIONS

Pin Name	Pin Number			Pin Type	Buffer Type	Description
	48-Pin TQFP/VQFN	32-Pin VQFN	28-Pin SSOP			
Serial Peripheral Interface 1						
SCK1	34	24	25	I/O	ST/CMOS	SPI1 Synchronous Serial Clock Input/Output
SDI1	PPS	PPS	PPS	I	ST	SPI1 Data In
SDO1	PPS	PPS	PPS	O	CMOS	SPI1 Data Out
SS1	PPS	PPS	PPS	I/O	ST/CMOS	SPI1 Client Synchronization Or Frame Pulse I/O
Serial Peripheral Interface 2						
SCK2	PPS	PPS	PPS	I/O	ST/CMOS	SPI2 Synchronous Serial Clock Input/Output
SDI2	PPS	PPS	PPS	I	ST	SPI2 Data In
SDO2	PPS	PPS	PPS	O	CMOS	SPI2 Data Out
SS2	PPS	PPS	PPS	I/O	ST/CMOS	SPI2 Client Synchronization Or Frame Pulse I/O

Legend: CMOS = CMOS-compatible input or output Analog = Analog input P = Power
 ST = Schmitt Trigger input with CMOS levels O = Output I = Input
 TTL = Transistor-transistor Logic input buffer PPS = Peripheral Pin Select

TABLE 1-9: I2C1 THROUGH I2C2 PINOUT I/O DESCRIPTIONS

Pin Name	Pin Number			Pin Type	Buffer Type	Description
	48-Pin TQFP/VQFN	32-Pin VQFN	28-Pin SSOP			
Inter-Integrated Circuit 1						
SCL1	32	23	24	I/O	ST	I2C1 Synchronous Serial Clock Input/Output
SDA1	31	22	23	I/O	ST	I2C1 Synchronous Serial Data Input/Output
Inter-Integrated Circuit 2						
SCL2	24	16	-	I/O	ST	I2C2 Synchronous Serial Clock Input/Output
SDA2	23	15	-	I/O	ST	I2C2 Synchronous Serial Data Input/Output

Legend: CMOS = CMOS-compatible input or output Analog = Analog input P = Power
 ST = Schmitt Trigger input with CMOS levels O = Output I = Input
 TTL = Transistor-transistor Logic input buffer PPS = Peripheral Pin Select

TABLE 1-10: TIMER1 THROUGH TIMER5 AND RTCC PINOUT I/O DESCRIPTIONS

Pin Name	Pin Number			Pin Type	Buffer Type	Description
	48-Pin TQFP/VQFN	32-Pin VQFN	28-Pin SSOP			
Timer1 through Timer5						
T1CK	36	-	-	I	ST	Timer1 External Clock Input
T2CK	PPS	PPS	PPS	I	ST	Timer2 External Clock Input
T3CK	PPS	PPS	PPS	I	ST	Timer3 External Clock Input
T4CK	PPS	PPS	PPS	I	ST	Timer4 External Clock Input
T5CK	PPS	PPS	PPS	I	ST	Timer5 External Clock Input
RTCC	14	11	14	O	CMOS	Real-Time Clock Alarm/Seconds Output

Legend: CMOS = CMOS-compatible input or output Analog = Analog input P = Power
 ST = Schmitt Trigger input with CMOS levels O = Output I = Input
 TTL = Transistor-transistor Logic input buffer PPS = Peripheral Pin Select

PIC32MK MCA Family

TABLE 1-11: COMPARATOR 1 THROUGH COMPARATOR 3 PINOUT I/O DESCRIPTIONS

Pin Name	Pin Number			Pin Type	Buffer Type	Description
	48-Pin TQFP/VQFN	32-Pin VQFN	28-Pin SSOP			
Comparator 1						
C1IN1+	13	10	13	I	Analog	Comparator #1 Positive Input 1
C1IN1-	14	11	14	I	Analog	Comparator #1 Negative Input 1
C1IN2-	12	9	12	I	Analog	Comparator #1 Negative Input 2
C1IN3-	13	10	13	I	Analog	Comparator #1 Negative Input 3
C1IN4-	7	-	-	I	Analog	Comparator #1 Negative Input 4
Comparator 2						
C2IN1+	10	7	10	I	Analog	Comparator #2 Positive Input 1
C2IN1-	11	8	11	I	Analog	Comparator #2 Negative Input 1
C2IN2-	9	6	9	I	Analog	Comparator #2 Negative Input 2
C2IN3-	10	7	10	I	Analog	Comparator #2 Negative Input 3
C2IN4-	8	-	-	I	Analog	Comparator #2 Negative Input 4
Comparator 3						
C3IN1+	19	-	-	I	Analog	Comparator #3 Positive Input 1
C3IN1-	18	-	-	I	Analog	Comparator #3 Negative Input 1
C3IN2-	17	-	-	I	Analog	Comparator #3 Negative Input 2
C3IN3-	19	-	-	I	Analog	Comparator #3 Negative Input 3
C3IN4-	20	14	-	I	Analog	Comparator #3 Negative Input 4

Legend: CMOS = CMOS-compatible input or output Analog = Analog input P = Power
 ST = Schmitt Trigger input with CMOS levels O = Output I = Input
 TTL = Transistor-transistor Logic input buffer PPS = Peripheral Pin Select

TABLE 1-12: OP AMP 1 THROUGH OP-AMP 3 PINOUT I/O DESCRIPTIONS

Pin Name	Pin Number			Pin Type	Buffer Type	Description
	48-Pin TQFP/VQFN	32-Pin VQFN	28-Pin SSOP			
Op amp 1						
OA1IN+	13	10	13	I	Analog	Op amp 1 Non-inverting Input
OA1IN-	14	11	14	I	Analog	Op amp 1 Inverting Input
OA1OUT	12	9	12	O	Analog	Op amp 1 Output
Op amp 2						
OA2IN+	10	7	10	I	Analog	Op amp 2 Non-inverting Input
OA2IN-	11	8	11	I	Analog	Op amp 2 Inverting Input
OA2OUT	9	6	9	O	Analog	Op amp 2 Output
Op amp 3						
OA3IN+	19	-	-	I	Analog	Op amp 3 Non-inverting Input
OA3IN-	18	-	-	I	Analog	Op amp 3 Inverting Input
OA3OUT	17	-	-	O	Analog	Op amp 3 Output

Legend: CMOS = CMOS-compatible input or output Analog = Analog input P = Power
 ST = Schmitt Trigger input with CMOS levels O = Output I = Input
 TTL = Transistor-transistor Logic input buffer PPS = Peripheral Pin Select

PIC32MK MCA Family

TABLE 1-13: CTMU PINOUT I/O DESCRIPTIONS

Pin Name	Pin Number			Pin Type	Buffer Type	Description
	48-Pin TQFP/VQFN	32-Pin VQFN	28-Pin SSOP			
CTCMP	14	11	14	I	Analog	CTMU external capacitor input for pulse generation
CTED1	12	9	12	I	ST	CTMU External Edge/Level Input 1
CTED2	11	8	11	I	ST	CTMU External Edge/Level Input 2
CTPLS	3	30	47	O	CMOS	CTMU Pulse Generator Output

Legend: CMOS = CMOS-compatible input or output Analog = Analog input P = Power
 ST = Schmitt Trigger input with CMOS levels O = Output I = Input
 TTL = Transistor-transistor Logic input buffer PPS = Peripheral Pin Select

TABLE 1-14: DAC1 PINOUT I/O DESCRIPTIONS

Pin Name	Pin Number			Pin Type	Buffer Type	Description
	48-Pin TQFP/VQFN	32-Pin VQFN	28-Pin SSOP			
DAC1	23	15	-	O	Analog	Control 12bit DAC1 Output

Legend: CMOS = CMOS-compatible input or output Analog = Analog input P = Power
 ST = Schmitt Trigger input with CMOS levels O = Output I = Input
 TTL = Transistor-transistor Logic input buffer PPS = Peripheral Pin Select

TABLE 1-15: MCPWM1 THROUGH MCPWM4 PINOUT I/O DESCRIPTIONS

Pin Name	Pin Number			Pin Type	Buffer Type	Description
	48-Pin TQFP/VQFN	32-Pin VQFN	28-Pin SSOP			
PWMH1	2	1	4	O	CMOS	MCPWM1 High Side Output
PWML1	3	2	5	O	CMOS	MCPWM1 Low Side Output
PWMH2	46	29	2	O	CMOS	MCPWM2 High Side Output
PWML2	47	30	3	O	CMOS	MCPWM2 Low Side Output
PWMH3	44	27	28	O	CMOS	MCPWM3 High Side Output
PWML3	45	28	1	O	CMOS	MCPWM3 Low Side Output
PWMH4	48	31	1	O	CMOS	MCPWM4 High Side Output
PWML4	1	32	-	O	CMOS	MCPWM4 Low Side Output

Legend: CMOS = CMOS-compatible input or output Analog = Analog input P = Power
 ST = Schmitt Trigger input with CMOS levels O = Output I = Input
 TTL = Transistor-transistor Logic input buffer PPS = Peripheral Pin Select

PIC32MK MCA Family

TABLE 1-16: MCPWM FAULT, CURRENT-LIMIT, AND DEAD TIME COMPENSATION PINOUT I/O DESCRIPTIONS

Pin Name	Pin Number			Pin Type	Buffer Type	Description
	48-Pin TQFP/VQFN	32-Pin VQFN	28-Pin SSOP			
FLT3	19	-	-	I	ST	PWM Fault Input Control
FLT4	20	14	-	I	ST	
FLT13	7	-	-	I	ST	
FLT14	8	-	-	I	ST	
FLT15	24	16	17	I	ST	

Legend: CMOS = CMOS-compatible input or output
 ST = Schmitt Trigger input with CMOS levels
 TTL = Transistor-transistor Logic input buffer
 Analog = Analog input
 O = Output
 PPS = Peripheral Pin Select
 P = Power
 I = Input

TABLE 1-17: QE1 THROUGH QE2 PINOUT I/O DESCRIPTIONS

Pin Name	Pin Number			Pin Type	Buffer Type	Description
	48-Pin TQFP/VQFN	32-Pin VQFN	28-Pin SSOP			
Quadrature Encoder Interface 1						
QEA1	PPS	PPS	PPS	I	ST	QE1 Phase A Input in QE1 mode
QEB1	PPS	PPS	PPS	I	ST	QE1 Phase B Input in QE1 Mode. Auxiliary Timer mode.
INDX1	PPS	PPS	PPS	I	ST	QE1 Index Pulse Input
HOME1	PPS	PPS	PPS	I	ST	QE1 Position Counter Input Capture Trigger
QEICMP1	PPS	PPS	PPS	I	ST	QE1 Capture Compare Match Output
Quadrature Encoder Interface 2						
QEA2	PPS	PPS	PPS	I	ST	QE2 Phase A Input in QE1 mode
QEB2	PPS	PPS	PPS	I	ST	QE2 Phase B Input in QE1 Mode. Auxiliary Timer mode.
INDX2	PPS	PPS	PPS	I	ST	QE2 Index Pulse Input
HOME2	PPS	PPS	PPS	I	ST	QE2 Position Counter Input Capture Trigger
QEICMP2	PPS	PPS	PPS	I	ST	QE2 Capture Compare Match Output

Legend: CMOS = CMOS-compatible input or output
 ST = Schmitt Trigger input with CMOS levels
 TTL = Transistor-transistor Logic input buffer
 Analog = Analog input
 O = Output
 PPS = Peripheral Pin Select
 P = Power
 I = Input

PIC32MK MCA Family

TABLE 1-18: POWER, GROUND, HLVD AND VOLTAGE REFERENCE PINOUT I/O DESCRIPTIONS

Pin Name	Pin Number			Pin Type	Buffer Type	Description
	48-Pin TQFP/VQFN	32-Pin VQFN	28-Pin SSOP			
AVDD	15	12	15	P	P	Positive supply for analog modules. This pin must be connected at all times.
AVSS	16	13	16	P	P	Ground reference for analog modules. This pin must be connected at all times.
VDD	6,22,26,43	5,18	8,19	P	P	Positive supply for peripheral logic and I/O pins. This pin must be connected at all times
VSS	5,21,29,42	4,21,26	7,22,27	P	P	Ground reference for logic, and I/O pins. This pin must be connected at all times.
Voltage References						
VREF+	12	9	12	I	Analog	Analog Voltage Reference (High) Input
VREF-	11	8	11	I	Analog	Analog Voltage Reference (Low) Input
High / Low Voltage Detect						
LVDIN	37	25	26	I	Analog	High / Low Voltage detect input

Legend: CMOS = CMOS-compatible input or output Analog = Analog input P = Power
 ST = Schmitt Trigger input with CMOS levels O = Output I = Input
 TTL = Transistor-transistor Logic input buffer PPS = Peripheral Pin Select

TABLE 1-19: JTAG, MASTER CLEAR AND PROGRAMMING/DEBUGGING PINOUT I/O DESCRIPTIONS

Pin Name	Pin Number			Pin Type	Buffer Type	Description
	48-Pin TQFP/VQFN	32-Pin VQFN	28-Pin SSOP			
JTAG Interface						
TCK	45	28	1	I	ST	JTAG Test Clock Input Pin
TDI	24	16	17	I	ST	JTAG Test Data Input Pin
TDO	44	27	28	O	CMOS	JTAG Test Data Output Pin
TMS	37	25	26	I	ST	JTAG Test Mode Select Pin
Programming/Debugging						
PGED1	14	11	14	I/O	ST	Data I/O pin for Programming/Debugging Communication Channel 1
PGEC1	13	10	13	I	ST	Clock input pin for Programming/Debugging Communication
PGED2	31	22	23	I/O	ST	Data I/O pin for Programming/Debugging Communication Channel 2
PGEC2	32	23	24	I	ST	Clock input pin for Programming/Debugging Communication
PGED3	11	8	11	I/O	ST	Data I/O pin for Programming/Debugging Communication Channel 3
PGEC3	12	9	12	I	ST	Clock input pin for Programming/Debugging Communication
Master Clear						
MCLR	4	3	6	I	ST	Master Clear (Reset) input. This pin is an active-low Reset to the device.

Legend: CMOS = CMOS-compatible input or output Analog = Analog input P = Power
 ST = Schmitt Trigger input with CMOS levels O = Output I = Input
 TTL = Transistor-transistor Logic input buffer PPS = Peripheral Pin Select

PIC32MK MCA Family

TABLE 1-20: CONFIGURABLE LOGIC CELL PINOUT I/O DESCRIPTIONS

Pin Name	Pin Number			Pin Type	Buffer Type	Description
	48-Pin TQFP/VQFN	32-Pin VQFN	28-Pin SSOP			
Configurable Logic Module 1						
CLCIN1	PPS	PPS	PPS	I	ST	Configurable Logic Cell 1 Inputs & Outputs
CLC01	PPS	PPS	PPS	O	CMOS	

Legend: CMOS = CMOS-compatible input or output Analog = Analog input P = Power
 ST = Schmitt Trigger input with CMOS levels O = Output I = Input
 TTL = Transistor-transistor Logic input buffer PPS = Peripheral Pin Select

TABLE 1-21: ADC PINOUT I/O DESCRIPTIONS

Pin Name	Pin Number			Pin Type	Buffer Type	Description
	48-Pin TQFP/VQFN	32-Pin VQFN	28-Pin SSOP			
AN0	9	6	9	I	Analog	Dedicated Class_1 ADC0 module Analog Input Channel
AN1	10	7	10	I	Analog	Dedicated Class_1 ADC1 module Analog Input Channel
AN2	11	8	11	I	Analog	Shared ADC7 module Analog Input Channels
AN3	12	9	12	I	Analog	
AN4	13	10	13	I	Analog	
AN5	14	11	14	I	Analog	
AN6	17	-	-	I	Analog	
AN7	18	-	-	I	Analog	
AN8	19	-	-	I	Analog	
AN9	20	14	-	I	Analog	
AN10	8	-	-	I	Analog	
AN11	7	-	-	I	Analog	
AN12	23	15	-	I	Analog	
AN13	25	17	18	I	Analog	
AN14	33	-	-	I	Analog	
AN15	34	24	25	I	Analog	
AN16	37	25	26	I	Analog	
AN17	27	19	20	I	Analog	

Legend: CMOS = CMOS-compatible input or output Analog = Analog input P = Power
 ST = Schmitt Trigger input with CMOS levels O = Output I = Input
 TTL = Transistor-transistor Logic input buffer PPS = Peripheral Pin Select

2.0 GUIDELINES FOR GETTING STARTED WITH 32-BIT MCUS

Note: This data sheet summarizes the features of the PIC32MK MCA Family of devices. It is not intended to be a comprehensive reference source. To complement the information in this data sheet, refer to the documents listed in the *Documentation > Reference Manual* section of the Microchip PIC32 web site (www.microchip.com/pic32).

2.1 Basic Connection Requirements

Getting started with the PIC32MK MCA Family of 32-bit Microcontrollers (MCUs) requires attention to a minimal set of device pin connections before proceeding with development. The following is a list of pin names, which must always be connected:

- All VDD and VSS pins (see [2.2 “Decoupling Capacitors”](#))
- All AVDD and AVSS pins, even if the ADC module is not used (see [2.2 “Decoupling Capacitors”](#))
- MCLR pin (see [2.3 “Master Clear \(MCLR\) Pin”](#))
- PGECx/PGEDx pins, used for In-Circuit Serial Programming™ (ICSP™) and debugging purposes (see [2.4 “ICSP Pins”](#))
- OSC1 and OSC2 pins, when external oscillator source is used (see [2.6 “External Oscillator Pins”](#))

The following pins may be required: VREF+/VREF- pins, used when external voltage reference for the ADC module is implemented

Note: The AVDD and AVSS pins must be connected, regardless of ADC use and the ADC voltage reference source.

2.2 Decoupling Capacitors

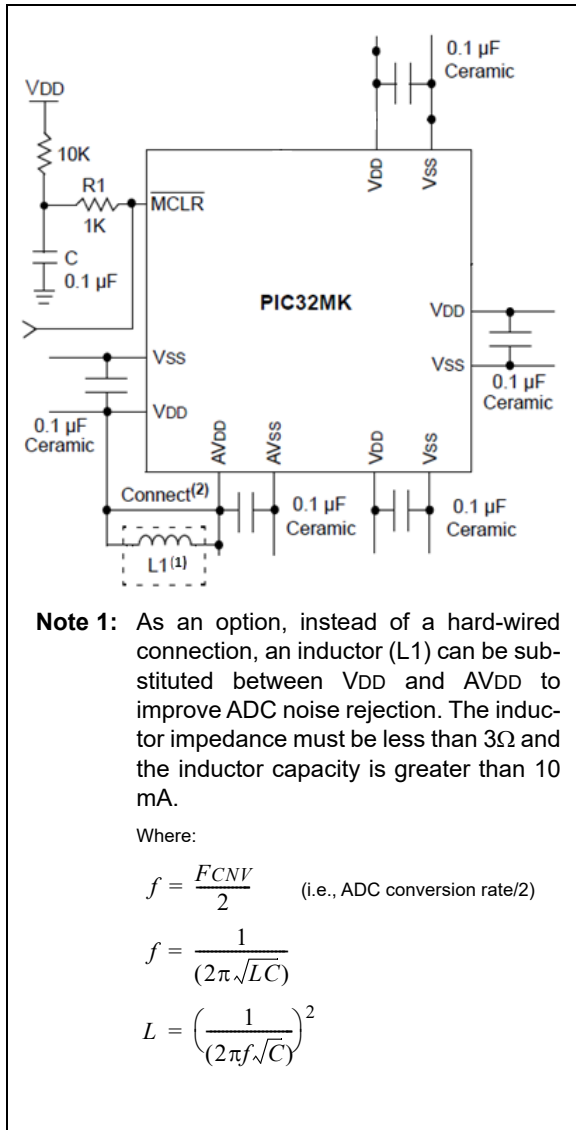
The use of decoupling capacitors on power supply pins, such as VDD, VSS, AVDD and AVSS is required, see [Figure 2-1](#).

Consider the following criteria when using decoupling capacitors:

- **Value and type of capacitor:** A value of 0.1 μF (100 nF), 10-20V is recommended. The capacitor must be a low Equivalent Series Resistance (low-ESR) capacitor and have resonance frequency in the range of 20 MHz and higher. It is further recommended that ceramic capacitors be used.
- **Placement on the printed circuit board:** The decoupling capacitors must be placed as close to the pins as possible. It is recommended that the capacitors be placed on the same side of the board as the device. If space is constricted, the capacitor can be placed on another layer on the PCB using a via; however, ensure that the trace length from the pin to the capacitor is within one-quarter inch (6 mm) in length.
- **Handling high frequency noise:** If the board is experiencing high frequency noise, upward of tens of MHz, add a second ceramic-type capacitor in parallel to the above described decoupling capacitor. The value of the second capacitor can be in the range of 0.01 μF to 0.001 μF . Place this second capacitor next to the primary decoupling capacitor. In high-speed circuit designs, consider implementing a decade pair of capacitances as close to the power and ground pins as possible. For example, 0.1 μF in parallel with 0.001 μF .
- **Maximizing performance:** On the board layout from the power supply circuit, run the power and return traces to the decoupling capacitors first, and then to the device pins. This ensures that the decoupling capacitors are first in the power chain. Equally important is to keep the trace length between the capacitor and the power pins to a minimum thereby reducing PCB track inductance.

PIC32MK MCA Family

FIGURE 2-1: RECOMMENDED MINIMUM CONNECTION



2.2.1 BULK CAPACITORS

The use of a bulk capacitor is recommended to improve power supply stability. Typical values range from 4.7 μF to 47 μF. This capacitor should be located as close to the device as possible.

2.3 Master Clear (MCLR) Pin

The MCLR pin provides two specific device functions:

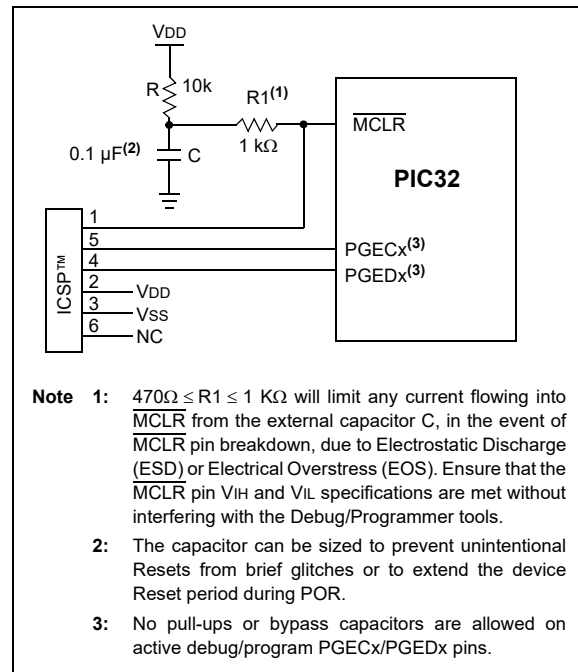
- Device Reset
- Device programming and debugging

Pulling the MCLR pin low generates a device Reset. Figure 2-2 illustrates a typical MCLR circuit. During device programming and debugging, the resistance and capacitance that can be added to the pin must be considered. Device programmers and debuggers drive the MCLR pin. Consequently, specific voltage levels (VIH and VIL) and fast signal transitions must not be adversely affected. Therefore, specific values of R and C will need to be adjusted based on the application and PCB requirements.

For example, as illustrated in Figure 2-2, it is recommended that the capacitor C, be isolated from the MCLR pin during programming and debugging operations.

Place the components illustrated in Figure 2-2 within one-quarter inch (6 mm) from the MCLR pin.

FIGURE 2-2: EXAMPLE OF MCLR PIN CONNECTIONS



2.4 ICSP Pins

The PGECx and PGEDx pins are used for ICSP and debugging purposes. It is recommended to keep the trace length between the ICSP connector and the ICSP pins on the device as short as possible. If the ICSP connector is expected to experience an ESD event, a series resistor is recommended, with the value in the range of a few tens of Ohms, not to exceed 100 Ohms.

Pull-up resistors, series diodes and capacitors on the PGECx and PGEDx pins are not recommended as they will interfere with the programmer/debugger communications to the device. If such discrete components are an application requirement, they should be removed from the circuit during programming and debugging. Alternatively, refer to the AC/DC characteristics and timing requirements information in the respective device Flash programming specification for information on capacitive loading limits and pin input voltage high (V_{IH}) and input low (V_{IL}) requirements.

Ensure that the “Communication Channel Select” (i.e., PGECx/PGEDx pins) programmed into the device matches the physical connections for the ICSP to MPLAB® ICD 3 or MPLAB REAL ICE™.

For additional information on ICD 3 and REAL ICE connection requirements, refer to the following documents that are available on the Microchip web site.

- “Using MPLAB® ICD 3” (poster) DS50001765
- “MPLAB® ICD 3 Design Advisory” DS50001764
- “MPLAB® REAL ICE™ In-Circuit Debugger User’s Guide” DS50001616
- “Using MPLAB® REAL ICE™ Emulator” (poster) DS50001749

2.5 JTAG

The TMS, TDO, TDI and TCK pins are used for testing and debugging according to the Joint Test Action Group (JTAG) standard. It is recommended to keep the trace length between the JTAG connector and the JTAG pins on the device as short as possible. If the JTAG connector is expected to experience an ESD event, a series resistor is recommended, with the value in the range of a few tens of Ohms, not to exceed 100 Ohms.

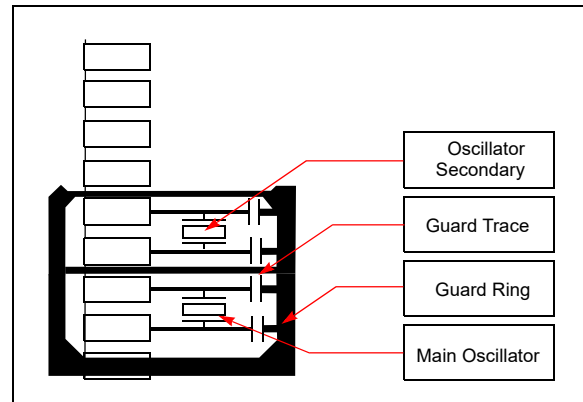
Pull-up resistors, series diodes and capacitors on the TMS, TDO, TDI and TCK pins are not recommended as they will interfere with the programmer/debugger communications to the device. If such discrete components are an application requirement, they should be removed from the circuit during programming and debugging. Alternatively, refer to the AC/DC characteristics and timing requirements information in the respective device Flash programming specification for information on capacitive loading limits and pin input voltage high (V_{IH}) and input low (V_{IL}) requirements.

2.6 External Oscillator Pins

Many MCUs have options for at least two oscillators: a high-frequency primary oscillator and a low-frequency secondary oscillator (refer to [Section 8.0 “Oscillator Configuration”](#) for details).

The oscillator circuit must be placed on the same side of the board as the device. Also, place the oscillator circuit close to the respective oscillator pins, not exceeding one-half inch (12 mm) distance between them. The load capacitors must be placed next to the oscillator itself, on the same side of the board. Use a grounded copper pour around the oscillator circuit to isolate them from surrounding circuits. The grounded copper pour must be routed directly to the MCU ground. Do not run any signal traces or power traces inside the ground pour. Also, if using a two-sided board, avoid any traces on the other side of the board where the crystal is placed. A suggested layout is illustrated in [Figure 2-3](#).

FIGURE 2-3: SUGGESTED OSCILLATOR CIRCUIT PLACEMENT



PIC32MK MCA Family

2.6.1 CRYSTAL OSCILLATOR DESIGN CONSIDERATION

The following example assumptions are used to calculate the Primary Oscillator loading capacitor values:

- C_{IN} = PIC32_OSC0_Pin Capacitance = 4 pF
- C_{OUT} = PIC32_OSCI_Pin Capacitance = 4 pF
- PCB stray capacitance (i.e., 12 mm length) = 2.5 pF
- $C1$ and $C2$ = the loading capacitors to use on your crystal circuit design to guarantee that the effective capacitance as seen by the crystal in circuit meets the crystal manufacturer specification

MFG Crystal Data Sheet CLOAD spec:

$$C_{LOAD} = \{ ([C_{IN} + C1] * [C_{OUT} + C2]) / [C_{IN} + C1 + C2 + C_{OUT}] \} + \text{oscillator PCB stray capacitance}$$

EXAMPLE 2-1: CRYSTAL LOAD CAPACITOR CALCULATION

Crystal manufacturer data sheet spec example: $C_{LOAD} = 15 \text{ pF}$

Therefore:

$$MFG \ C_{LOAD} = \{ ([C_{IN} + C1] * [C_{OUT} + C2]) / [C_{IN} + C1 + C2 + C_{OUT}] \} + \text{estimated oscillator PCB stray capacitance}$$

Assuming $C1 = C2$ and PIC32 $C_{in} = C_{out}$, the formula can be further simplified and restated to solve for $C1$ and $C2$ by:

$$C1 = C2 = ((2 * MFG \ Cload \ spec) - C_{in} - (2 * PCB \ capacitance))$$

$$= ((2 * 15) - 4 - (2 * 2.5 \text{ pF}))$$

$$= (30 - 4 - 5)$$

$$= 21 \text{ pF}$$

Therefore:

$C1 = C2 = 21 \text{ pF}$ is the correct loading capacitors to use on your crystal circuit design to guarantee that the effective capacitance as seen by the crystal in circuit in this example is 15 pF to meet the crystal manufacturer specification.

Follow these tips to increase oscillator gain, (that is, to increase peak-to-peak oscillator signal):

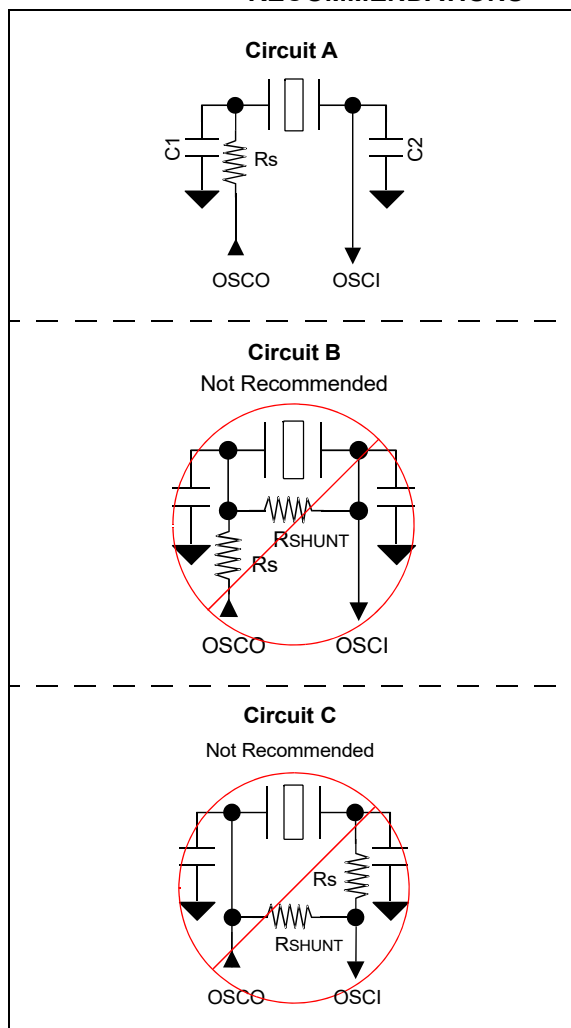
- Select an crystal oscillator with a lower XTAL manufacturing "ESR" rating.
- $C1$ and $C2$ values also affect the gain of the oscillator. The lower the values, the higher the gain.
- Likewise, $C2/C1$ ratio also affects gain. To increase the gain, make $C1$ slightly smaller than $C2$, which will also help start-up performance.

Note: Do not add excessive gain such that the oscillator signal is clipped, flat on top of the sine wave. If so, you need to reduce the gain or add a series resistor, R_s , as shown in circuit "A" in Figure 2-4. Failure to do so will stress and age the crystal, which can result in an early failure. When measuring the oscillator signal you must use an active-powered scope probe with $\leq 1 \text{ pF}$ or the scope probe itself will unduly change the gain and peak-to-peak levels.

2.6.1.1 Additional Microchip References

- AN588 "PICmicro® Microcontroller Oscillator Design Guide"
- AN826 "Crystal Oscillator Basics and Crystal Selection for rPIC™ and PICmicro® Devices"
- AN849 "Basic PICmicro® Oscillator Design"

FIGURE 2-4: PRIMARY CRYSTAL OSCILLATOR CIRCUIT RECOMMENDATIONS



2.7 Unused I/Os

Unused I/O pins must not be allowed to float as inputs. They can be configured as outputs and driven to a logic-low state.

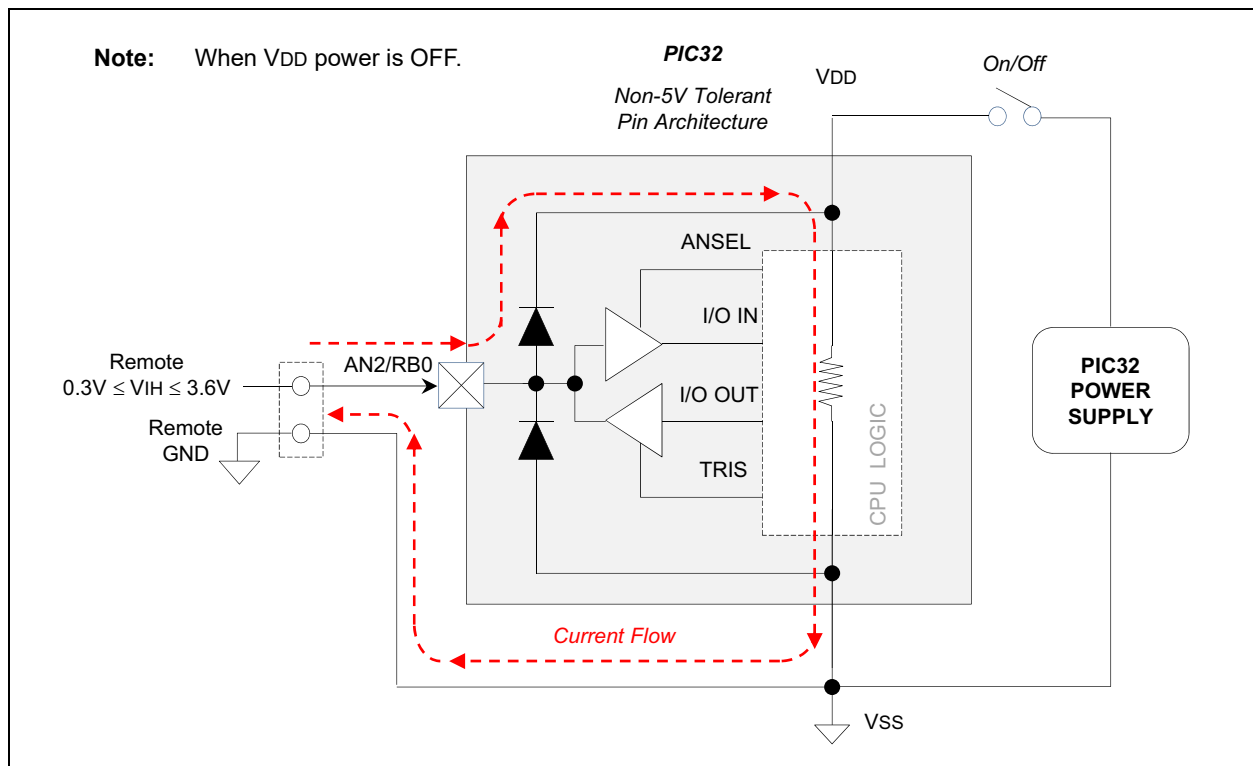
Alternatively, inputs can be reserved by connecting the pin to V_{SS} through a 1k resistor and configuring the pin as an input, which they are by default on any Reset.

2.8 Considerations When Interfacing to Remotely Powered Circuits

2.8.1 NON-5V TOLERANT INPUT PINS

A quick review of the absolute maximum rating section in [35.0 “Electrical Characteristics”](#) will indicate that the voltage on any non-5v tolerant pin may not exceed V_{DD} + 0.3V unless the input current is limited to meet the respective injection current specifications defined by parameters DI60a, DI60b, and DI60c in [TABLE 35-10: “DC Characteristics: I/O Pin Input Injection current Specifications”](#). Figure 2-5 illustrates a remote circuit using an independent power source, which is powered while connected to a PIC32 non-5V tolerant circuit that is not powered.

FIGURE 2-5: PIC32 NON-5V TOLERANT CIRCUIT EXAMPLE



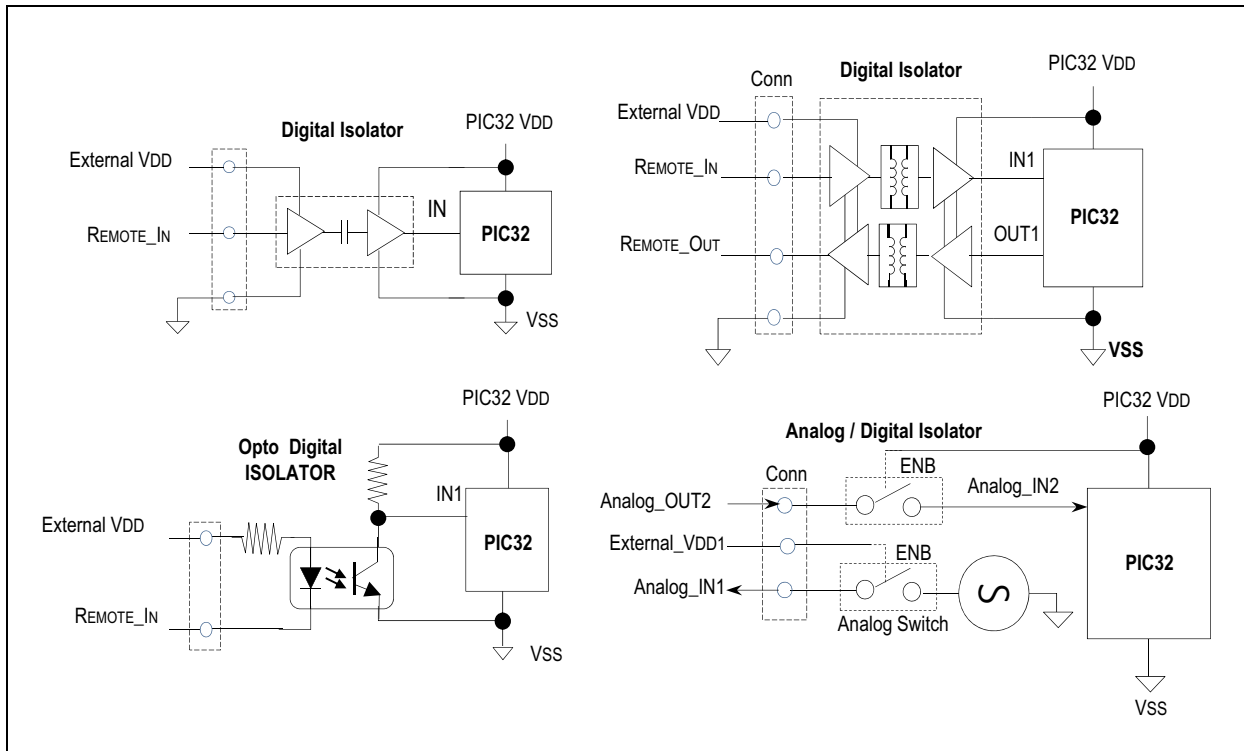
PIC32MK MCA Family

Without proper signal isolation, on non-5V tolerant pins, the remote signal can power the PIC32 device through the high side ESD protection diodes. Besides violating the absolute maximum rating specification when VDD of the PIC32 device is restored and ramping up or ramping down, it can also negatively affect the internal Power-on Reset (POR) and Brown-out Reset (BOR) circuits, which can lead to improper initialization of internal PIC32 logic circuits. In these cases, it is recommended to implement digital or analog signal isolation as shown in Figure 2-6. This is indicative of all industry microcontrollers and not just Microchip products.

TABLE 2-1: EXAMPLES OF DIGITAL/ANALOG ISOLATORS WITH OPTIONAL LEVEL TRANSLATION

Example Digital/Analog Signal Isolation Circuits	Inductive Coupling	Capacitive Coupling	Opto Coupling	Analog/Digital Switch
ADuM7241 / 40 ARZ (1 Mbps)	X	—	—	—
ADuM7241 / 40 CRZ (25 Mbps)	X	—	—	—
ISO721	—	X	—	—
LTV-829S (2 Channel)	—	—	X	—
LTV-849S (4 Channel)	—	—	X	—
FSA266 / NC7WB66	—	—	—	X

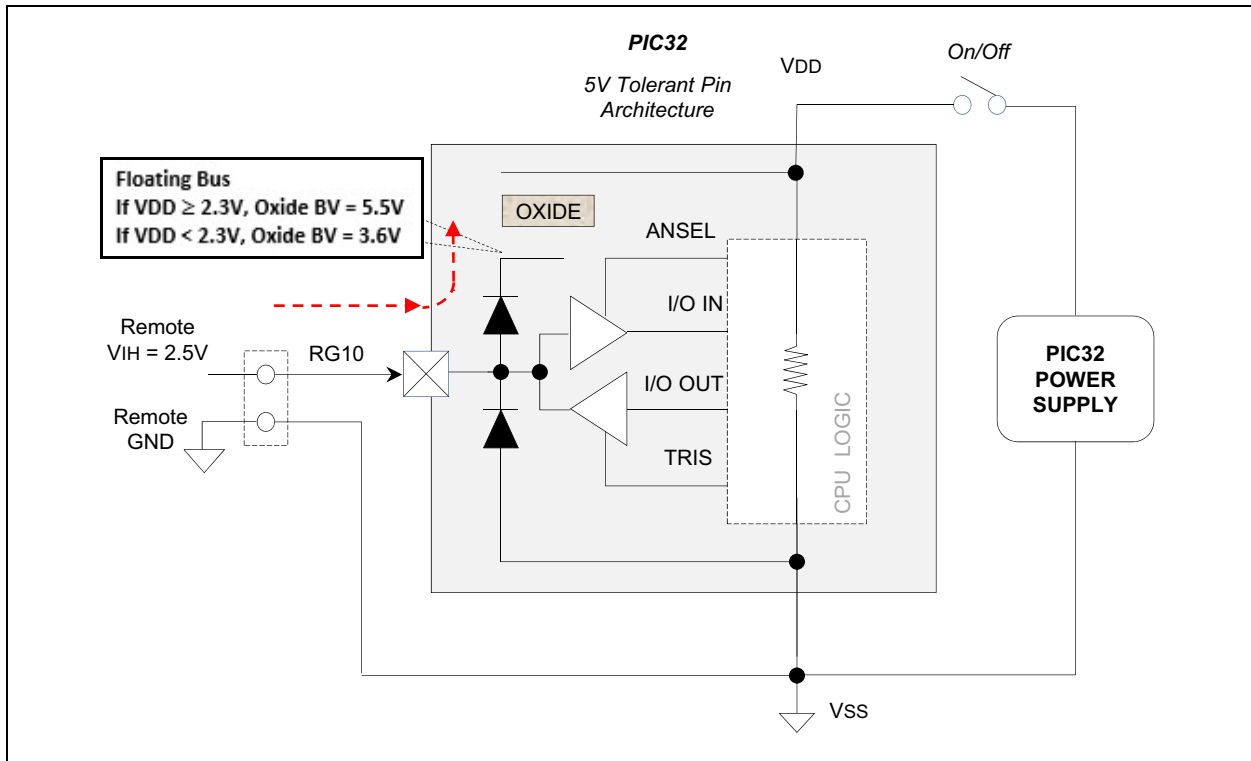
FIGURE 2-6: EXAMPLE DIGITAL/ANALOG SIGNAL ISOLATION CIRCUITS



2.8.2 5V TOLERANT INPUT PINS

The internal high-side diode on 5v tolerant pins are bussed to an internal floating node, rather than being connected to VDD, as shown in Figure 2-7. Voltages on these pins, if $V_{DD} < 2.3V$, must not exceed roughly 3.2V relative to V_{SS} of the PIC32 device. The voltage of $>5.5V$ will violate the absolute maximum specification, and will stress the oxide layer separating the high-side floating node, which impacts device reliability. If a remotely powered “digital-only” signal can be guaranteed to always be $\leq 5.5V$ relative to V_{SS} on the PIC32 device side, a 5V tolerant pin can be used without the need for a digital isolator. This is assuming there is not a ground loop issue (that is, logic ground of the two circuits not at the same absolute level, and a remote logic low input is not less than $V_{SS} - 0.3V$).

FIGURE 2-7: PIC32 5V TOLERANT PIN ARCHITECTURE EXAMPLE



PIC32MK MCA Family

2.9 Designing for High-Speed Peripherals

The PIC32MK MCA Family of devices have peripherals that operate at frequencies much higher than typical for an embedded environment. [Table 2-2](#) lists the peripherals that produce high-speed signals on their external pins:

TABLE 2-2: PERIPHERALS THAT PRODUCE HS SIGNALS ON EXTERNAL PINS

Peripheral	High-Speed Signal Pins	Maximum Speed on Signal Pin
SPI/I ² S	SCKx, SDOx, SDIx	50 MHz
REFCLKx	REFCLKx	50 MHz

Due to these high-speed signals, it is important to consider several factors when designing a product that uses these peripherals, as well as the PCB on which these components will be placed. Adhering to these recommendations will help achieve the following goals:

- Minimize the effects of electromagnetic interference to the proper operation of the product
- Ensure signals arrive at their intended destination at the same time
- Minimize crosstalk
- Maintain signal integrity
- Reduce system noise
- Minimize ground bounce and power sag

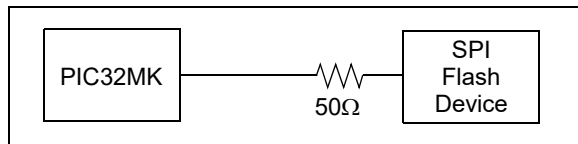
2.9.1 SYSTEM DESIGN

2.9.1.1 Impedance Matching

When selecting parts to place on high-speed buses, particularly the SPI bus and REFCLKx outputs, if the impedance of the peripheral device does not match the impedance of the pins on the PIC32MK MCA Family of devices to which it is connected, signal reflections could result, thereby degrading the quality of the signal.

If it is not possible to select a product that matches impedance, place a series resistor at the load to create the matching impedance, see [Figure 2-8](#).

FIGURE 2-8: SERIES RESISTOR



2.9.1.2 PCB Layout Recommendations

The following list contains recommendations that will help ensure the PCB layout will promote the goals previously listed.

• Component Placement

- Place bypass capacitors as close to their component power and ground pins as possible, and place them on the same side of the PCB.
- Devices on the same bus that have larger setup times must be placed closer to the PIC32MK MCA Family of devices.

• Power and Ground

- Multi-layer PCBs will allow separate power and ground planes
- Each ground pin must be connected to the ground plane individually
- Place bypass capacitor vias as close to the pad as possible (preferably inside the pad)
- If power and ground planes are not used, maximize width for power and ground traces
- Use low-ESR, surface-mount bypass capacitors

• Clocks and Oscillators

- Place crystals as close as possible to the PIC32MK MCA Family of devices OSC/SOSC pins
- Do not route high-speed signals near the clock or oscillator
- Avoid via usage and branches in clock lines (SCK)
- Place termination resistors at the end of clock lines

• Traces

- Higher-priority signals must have the shortest traces
- Avoid long run lengths on parallel traces to reduce coupling
- Make the clock traces as straight as possible
- Use rounded turns rather than right-angle turns
- Have traces on different layers intersect on right angles to minimize crosstalk
- Maximize the distance between traces, preferably no less than three times the trace width
- Power traces must be as short and as wide as possible
- High-speed traces must be placed close to the ground plane

PIC32MK MCA Family

3.0 CPU

Note 1: This data sheet summarizes the features of the PIC32MK MCA Family of devices. It is not intended to be a comprehensive reference source. To complement the information in this data sheet, refer to **Section 50. “CPU for Devices with MIPS32® microAptiv™ and M-Class Cores”** (DS60001192) of the “PIC32 Family Reference Manual”, which is available from the Microchip web site (www.microchip.com/PIC32).

2: The microAptiv™ CPU core resources are available at: www.imgtec.com.

The MIPS32® microAptiv™ MCU Core is the heart of the PIC32MK MCA Family of device’s processor. The CPU fetches instructions, decodes each instruction, fetches source operands, executes each instruction and writes the results of instruction execution to the proper destinations.

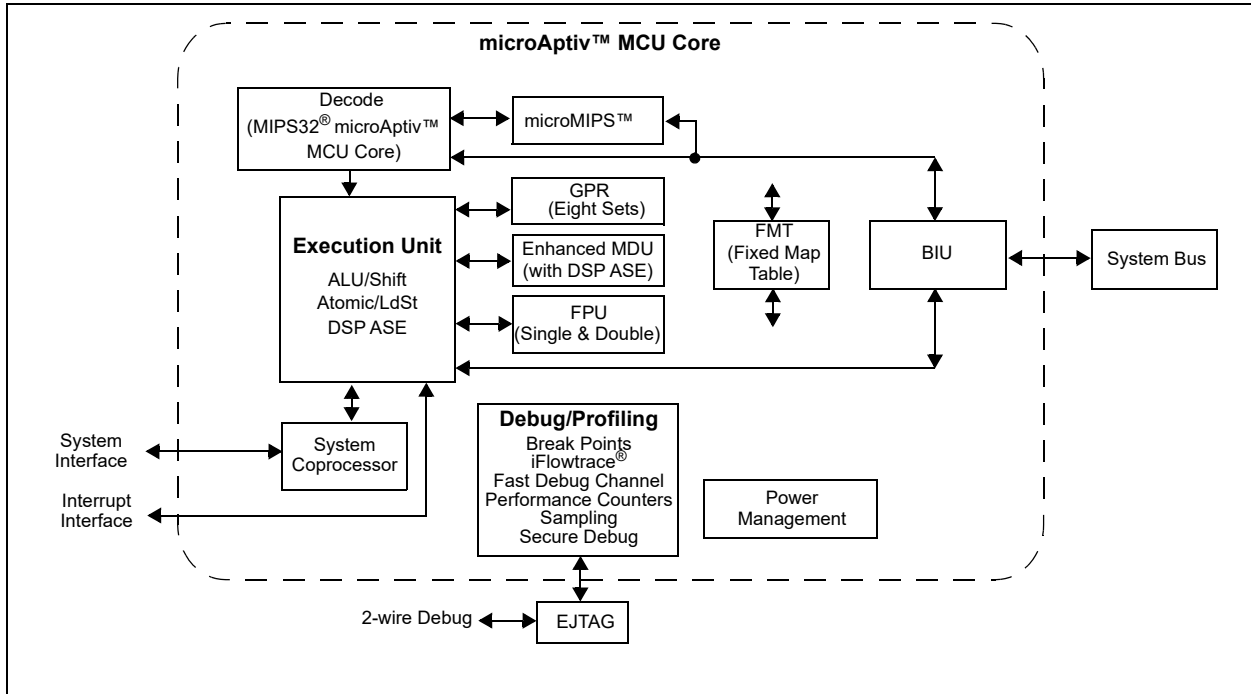
The following are key features of the CPU module:

- 5-stage pipeline
- 32-bit address and data paths
- MIPS32 Enhanced Architecture (Release 5):
 - Multiply-accumulate and multiply-subtract instructions
 - Targeted multiply instruction
 - Zero/One detect instructions
 - WAIT instruction
 - Conditional move instructions (MOVN, MOVZ)
 - Vectored interrupts
 - Programmable exception vector base
 - Atomic interrupt enable/disable
 - GPR shadow registers to minimize latency for interrupt handlers
 - Bit field manipulation instructions
 - Virtual memory support
- microMIPS™ compatible instruction set:
 - Improves code size density over MIPS32, while maintaining MIPS32 performance.
 - Supports all MIPS32 instructions (except branch-likely instructions)
 - Fifteen additional 32-bit instructions and 39 16-bit instructions corresponding to commonly-used MIPS32 instructions
 - Stack pointer implicit in instruction
 - MIPS32 assembly and ABI compatible
- Autonomous Multiply/Divide Unit (MDU):
 - Maximum issue rate of one 32x32 multiply per clock
 - Early-in iterative divide. Minimum 12 and maximum 38 clock latency (dividend (rs) sign extension-dependent)
- Power Control:
 - Minimum frequency: 0 MHz
 - Low-Power mode (triggered by WAIT instruction)
 - Extensive use of local gated clocks
- EJTAG Debug and Instruction Trace:
 - Support for single stepping
 - Virtual instruction and data address/value breakpoints
 - Hardware breakpoint supports both address match and address range triggering.
 - Eight instruction and four data complex breakpoints
- iFlowtrace® version 2.0 support:
 - Real-time instruction program counter
 - Special events trace capability
 - Two performance counters with 34 user-selectable countable events
 - Disabled if the processor enters Debug mode
 - Program Counter sampling
- DSP ASE Extension:
 - Native fractional format data type operations
 - Register Single Instruction Multiple Data (SIMD) operations (add, subtract, multiply, shift)
 - GPR-based shift
 - Bit manipulation
 - Compare-Pick
 - DSP Control Access
 - Indexed-Load
 - Branch
 - Multiplication of complex operands
 - Variable bit insertion and extraction
 - Virtual circular buffers
 - Arithmetic saturation and overflow handling
 - Zero-cycle overhead saturation and rounding operations
- Floating Point Unit (FPU):
 - 1985 IEEE-754 compliant Floating Point Unit
 - Supports single and double precision datatypes
 - 2008 IEEE-754 compatibility control of NaN handling and Abs/Neg instructions
 - Runs at 1:1 core/FPU clock ratio

PIC32MK MCA Family

A typical block diagram of the PIC32MK MCA Family processor core is shown in [Figure 3-1](#).

FIGURE 3-1: PIC32MK MCA FAMILY MICROPROCESSOR CORE BLOCK DIAGRAM



PIC32MK MCA Family

3.1 Architecture Overview

The MIPS32 microAptiv MCU core in the PIC32MK MCA Family of devices contains several logic blocks working together in parallel, providing an efficient high-performance computing engine. The following blocks are included with the core:

- Execution unit
- General Purpose Register (GPR)
- Multiply/Divide Unit (MDU)
- System control coprocessor (CP0)
- Floating Point Unit (FPU)
- Power Management
- microMIPS support
- Enhanced JTAG (EJTAG) controller

3.1.1 EXECUTION UNIT

The processor core execution unit implements a load/store architecture with single-cycle ALU operations (logical, shift, add, subtract) and an autonomous multiply/divide unit. The core contains thirty-two 32-bit General Purpose Registers (GPRs) used for integer operations and address calculation. Seven additional register file shadow sets (containing thirty-two registers) are added to minimize context switching overhead during interrupt/exception processing. The register file consists of two read ports and one write port and is fully bypassed to minimize operation latency in the pipeline.

The execution unit includes:

- 32-bit adder used for calculating the data address
- Address unit for calculating the next instruction address
- Logic for branch determination and branch target address calculation
- Load aligner
- Trap condition comparator
- Bypass multiplexers used to avoid stalls when executing instruction streams where data producing instructions are followed closely by consumers of their results

- Leading Zero/One detect unit for implementing the CLZ and CLO instructions
- Arithmetic Logic Unit (ALU) for performing arithmetic and bitwise logical operations
- Shifter and store aligner
- DSP ALU and logic block for performing DSP instructions, such as arithmetic/shift/compare operations

3.1.2 MULTIPLY/DIVIDE UNIT (MDU)

The processor core includes a Multiply/Divide Unit (MDU) that contains a separate pipeline for multiply and divide operations, and DSP ASE multiply instructions. This pipeline operates in parallel with the Integer Unit (IU) pipeline and does not stall when the IU pipeline stalls. This allows MDU operations to be partially masked by system stalls and other integer unit instructions.

The high-performance MDU consists of a 32x16 Booth recoded multiplier, a pair of result or accumulation registers (HI and LO), a divide state machine, and the necessary multiplexers and control logic. The first number shown ('32' of 32x16) represents the *rs* operand. The second number '16' of 32x16) represents the *rt* operand.

The MDU supports execution of one multiply or multiply-accumulate operation every clock cycle.

Divide operations are implemented with a simple 1-bit-per-clock iterative algorithm. An early-in detection checks the sign extension of the dividend (*rs*) operand. If *rs* is 8 bits wide, 23 iterations are skipped. For a 16-bit wide *rs*, 15 iterations are skipped and for a 24-bit wide *rs*, 7 iterations are skipped. Any attempt to issue a subsequent MDU instruction while a divide is still active causes an IU pipeline stall until the divide operation has completed.

Table 3-1 lists the repeat rate (peak issue rate of cycles until the operation can be reissued) and latency (number of cycles until a result is available) for the processor core multiply and divide instructions. The approximate latency and repeat rates are listed in terms of pipeline clocks.

TABLE 3-1: MIPS32[®] microAptiv[™] MCU CORE HIGH-PERFORMANCE INTEGER MULTIPLY/DIVIDE UNIT LATENCIES AND REPEAT RATES

Opcode	Operand Size (mul <i>rt</i>) (div <i>rs</i>)	Latency	Repeat Rate
MULT/MULTU, MADD/MADDU, MSUB/MSUBU (HI/LO destination)	16 bits	5	1
	32 bits	5	1
MUL (GPR destination)	16 bits	5	1
	32 bits	5	1
DIV/DIVU	8 bits	12/14	12/14
	16 bits	20/22	20/22
	24 bits	28/30	28/30
	32 bits	36/38	36/38

PIC32MK MCA Family

The MIPS architecture defines that the result of a multiply or divide operation be placed in one of four pairs of HI and LO registers. Using the Move-From-HI (MFHI) and Move-From-LO (MFLO) instructions, these values can be transferred to the General Purpose Register file.

In addition to the HI/LO targeted operations, the MIPS32 architecture also defines a multiply instruction, MUL, which places the least significant results in the primary register file instead of the HI/LO register pair. By avoiding the explicit MFLO instruction required when using the LO register, and by supporting multiple destination registers, the throughput of multiply-intensive operations is increased.

Two other instructions, Multiply-Add (MADD) and Multiply-Subtract (MSUB), are used to perform the multiply-accumulate and multiply-subtract operations. The MADD instruction multiplies two numbers and then adds the product to the current contents of the HI and LO registers. Similarly, the MSUB instruction multiplies two operands and then subtracts the product from the HI and LO registers. The MADD and MSUB operations are commonly used in DSP algorithms.

The MDU also implements various shift instructions operating on the HI/LO register and multiply instructions as defined in the DSP ASE. The MDU supports all of the data types required for this purpose and includes three extra HI/LO registers as defined by the ASE.

Table 3-2 lists the latencies and repeat rates for the DSP multiply and dot-product operations. The approximate latencies and repeat rates are listed in terms of pipeline clocks.

TABLE 3-2: DSP-RELATED LATENCIES AND REPEAT RATES

Op code	Latency	Repeat Rate
Multiply and dot-product without saturation after accumulation	5	1
Multiply and dot-product with saturation after accumulation	5	1
Multiply without accumulation	5	1

3.1.3 SYSTEM CONTROL COPROCESSOR (CP0)

In the MIPS architecture, CP0 is responsible for the virtual-to-physical address translation, the exception control system, the processor's diagnostics capability, the operating modes (Kernel, User and Debug) and whether interrupts are enabled or disabled. Configuration information, such as the presence of options like microMIPS is also available by accessing the CP0 registers as listed in Table 3-3.

TABLE 3-3: COPROCESSOR 0 REGISTERS

Register Number	Register Name	Function
0-6	Reserved	Reserved in the PIC32MK GP Family core.
7	HWREna	Enables access via the RDHWR instruction to selected hardware registers in Non-privileged mode.
8	BadVAddr	Reports the address for the most recent address-related exception.
	BadInstr	Reports the instruction that caused the most recent exception.
	BadInstrP	Reports the branch instruction if a delay slot caused the most recent exception.
9	Count	Processor cycle count.
10	Reserved	Reserved in the PIC32MK GP Family core.
11	Compare	Core timer interrupt control.
12	Status	Processor status and control.
	IntCtl	Interrupt control of vector spacing.
	SRSctl	Shadow register set control.
	SRSMap	Shadow register mapping control.
	View_IPL	Allows the Priority Level to be read/written without extracting or inserting that bit from/to the Status register.
13	SRSMAP2	Contains two 4-bit fields that provide the mapping from a vector number to the shadow set number to use when servicing such an interrupt.
	Cause	Describes the cause of the last exception.
	NestedExc	Contains the error and exception level status bit values that existed prior to the current exception.
	View_RIPL	Enables read access to the RIPL bit that is available in the Cause register.

PIC32MK MCA Family

TABLE 3-3: COPROCESSOR 0 REGISTERS (CONTINUED)

Register Number	Register Name	Function
14	EPC	Program counter at last exception.
	NestedEPC	Contains the exception program counter that existed prior to the current exception.
15	PRID	Processor identification and revision
	Ebase	Exception base address of exception vectors.
	CDMMBase	Common device memory map base.
16	Config	Configuration register.
	Config1	Configuration register 1.
	Config2	Configuration register 2.
	Config3	Configuration register 3.
	Config4	Configuration register 4.
	Config5	Configuration register 5.
	Config7	Configuration register 7.
17	Reserved	Reserved in the PIC32MK GP Family core.
18	Reserved	Reserved in the PIC32MK GP Family core.
19	Reserved	Reserved in the PIC32MK GP Family core.
20-22	Reserved	Reserved in the PIC32MK GP Family core.
23	Debug	EJTAG debug register.
	TraceControl	EJTAG trace control.
	TraceControl2	EJTAG trace control 2.
	UserTraceData1	EJTAG user trace data 1 register.
	TraceBPC	EJTAG trace breakpoint register.
	Debug2	Debug control/exception status 1.
24	DEPC	Program counter at last debug exception.
	UserTraceData2	EJTAG user trace data 2 register.
25	PerfCtl0	Performance counter 0 control.
	PerfCnt0	Performance counter 0.
	PerfCtl1	Performance counter 1 control.
	PerfCnt1	Performance counter 1.
26	Reserved	Reserved in the PIC32MK GP Family core.
27	Reserved	Reserved in the PIC32MK GP Family core.
28	Reserved	Reserved in the PIC32MK GP Family core.
29	Reserved	Reserved in the PIC32MK GP Family core.
30	ErrorEPC	Program counter at last error exception.
31	DeSave	Debug exception save.

3.1.4 FLOATING POINT UNIT (FPU)

The Floating Point Unit (FPU), Coprocessor (CP1), implements the MIPS Instruction Set Architecture for floating point computation. The implementation supports the ANSI/IEEE Standard 754 (IEEE for Binary Floating Point Arithmetic) for single-precision and double-precision data formats. The FPU can be programmed to have thirty-two 32-bit or 64-bit floating point registers used for floating point operations.

The performance is optimized for single precision formats. Most instructions have one FPU cycle throughput and four FPU cycle latency. The FPU implements the multiply-add (MADD) and multiply-sub (MSUB) instructions with intermediate rounding after the multiply function. The result is guaranteed to be the same as executing a MUL and an ADD instruction separately, but the instruction latency, instruction fetch, dispatch bandwidth, and the total number of register accesses are improved.

IEEE denormalized input operands and results are supported by hardware for some instructions. IEEE denormalized results are not supported by hardware in general, but a fast flush-to-zero mode is provided to optimize performance. The fast flush-to-zero mode is enabled through the FCCR register, and use of this mode is recommended for best performance when denormalized results are generated.

The FPU has a separate pipeline for floating point instruction execution. This pipeline operates in parallel with the integer core pipeline and does not stall when the integer pipeline stalls. This allows long-running FPU operations, such as divide or square root, to be partially masked by system stalls and other integer unit instructions. Arithmetic instructions are always dispatched and completed in order, but loads and stores can complete out of order. The exception model is “precise” at all times.

Table 3-4 contains the floating point instruction latencies and repeat rates for the processor core. In this table, 'Latency' refers to the number of FPU cycles necessary for the first instruction to produce the result needed by the second instruction. The “Repeat Rate” refers to the maximum rate at which an instruction can be executed per FPU cycle.

TABLE 3-4: FPU INSTRUCTION LATENCIES AND REPEAT RATES

Op code	Latency (FPU Cycles)	Repeat Rate (FPU Cycles)
ABS.[S,D], NEG.[S,D], ADD.[S,D], SUB.[S,D], C.cond.[S,D], MUL.S	4	1
MADD.S, MSUB.S, NMADD.S, NMSUB.S, CABS.cond.[S,D]	4	1
CVT.D.S, CVT.PS.PW, CVT.[S,D].[W,L]	4	1
CVT.S.D, CVT.[W,L].[S,D], CEIL.[W,L].[S,D], FLOOR.[W,L].[S,D], ROUND.[W,L].[S,D], TRUNC.[W,L].[S,D]	4	1
MOV.[S,D], MOVE.[S,D], MOVN.[S,D], MOVT.[S,D], MOVZ.[S,D]	4	1
MUL.D	5	2
MADD.D, MSUB.D, NMADD.D, NMSUB.D	5	2
RECIP.S	13	10
RECIP.D	26	21
RSQRT.S	17	14
RSQRT.D	36	31
DIV.S, SQRT.S	17	14
DIV.D, SQRT.D	32	29
MTC1, DMTC1, LWC1, LDC1, LDXC1, LUXC1, LWXC1	4	1
MFC1, DMFC1, SWC1, SDC1, SDXC1, SUXC1, SWXC1	1	1

Legend: S = Single D = Double
W = Word L = Long word

PIC32MK MCA Family

The FPU implements a high-performance 7-stage pipeline:

- Decode, register read and unpack (FR stage)
- Multiply tree - double pumped for double (M1 stage)
- Multiply complete (M2 stage)
- Addition first step (A1 stage)
- Addition second and final step (A2 stage)
- Packing to IEEE format (FP stage)
- Register writeback (FW stage)

The FPU implements a bypass mechanism that allows the result of an operation to be forwarded directly to the instruction that needs it without having to write the result to the FPU register and then read it back.

Table 3-5 lists the Coprocessor 1 Registers for the FPU.

TABLE 3-5: FPU (CP1) REGISTERS

Register Number	Register Name	Function
0	FIR	Floating Point implementation register. Contains information that identifies the FPU.
25	FCCR	Floating Point condition codes register.
26	FEXR	Floating Point exceptions register.
28	FENR	Floating Point enables register.
31	FCSR	Floating Point Control and Status register.

3.2 Power Management

The processor core offers a number of power management features, including low-power design, active power management and power-down modes of operation. The core is a static design that supports slowing or halting the clocks, which reduces system power consumption during Idle periods.

3.2.1 INSTRUCTION-CONTROLLED POWER MANAGEMENT

The mechanism for invoking Power-Down mode is through execution of the `WAIT` instruction. For more information on power management, see [30.0 “Power-Saving Features”](#).

3.2.2 LOCAL CLOCK GATING

The majority of the power consumed by the processor core is in the clock tree and clocking registers. The PIC32MK family of devices makes extensive use of local gated-clocks to reduce this dynamic power consumption.

3.3 EJTAG Debug Support

The processor core provides for an Enhanced JTAG (EJTAG) interface for use in the software debug of application and kernel code. In addition to standard User mode and Kernel modes of operation, the processor core provides a Debug mode that is entered after a debug exception (derived from a hardware breakpoint, single-step exception, etc.) is taken and continues until a Debug Exception Return (`DERET`) instruction is executed. During this time, the processor executes the debug exception handler routine.

The EJTAG interface operates through the Test Access Port (TAP), a serial communication port used for transferring test data in and out of the core. In addition to the standard JTAG instructions, special instructions defined in the EJTAG specification specify which registers are selected and how they are used.

3.4 MIPS DSP ASE Extension

The MIPS DSP Application-Specific Extension Revision 2 is an extension to the MIPS32 architecture. This extension comprises new integer instructions and states that include new HI/LO accumulator register pairs and a DSP control register. This extension is crucial in a wide range of DSP, multimedia, and DSP-like algorithms covering Audio and Video processing applications. The extension supports native fractional format data type operations, register Single Instruction Multiple Data (SIMD) operations, such as add, subtract, multiply, and shift. In addition, the extension includes the following features that are essential in making DSP algorithms computationally efficient:

- Support for multiplication of complex operands
- Variable bit insertion and extraction
- Implementation and use of virtual circular buffers
- Arithmetic saturation and overflow handling support
- Zero cycle overhead saturation and rounding operations

3.5 microMIPS ISA

The processor core supports the microMIPS ISA, which contains all MIPS32 ISA instructions (except for branch-likely instructions) in a new 32-bit encoding scheme, with some of the commonly used instructions also available in 16-bit encoded format. This ISA improves code density through the additional 16-bit instructions while maintaining a performance similar to MIPS32 mode. In microMIPS mode, 16-bit or 32-bit instructions will be fetched and recoded to legacy MIPS32 instruction opcodes in the pipeline's I stage, so that the processor core can have the same microAptiv MPU microarchitecture. Because the microMIPS instruction stream can be intermixed with 16-bit half-word or 32-bit word size instructions on halfword or word boundaries, additional logic is in place to address the word misalignment issues, thus minimizing performance loss.

PIC32MK MCA Family

3.6 MIPS32[®] microAptiv[™] MCU Core Configuration

Register 3-1 through Register 3-5 show the default configuration of the MIPS32 microAptiv MCU core, which is included on the PIC32MK MCA Family of devices.

REGISTER 3-1: CONFIG: CONFIGURATION REGISTER; CP0 REGISTER 16, SELECT 0

Bit Range	Bit 31/23/15/7	Bit 30/22/14/6	Bit 29/21/13/5	Bit 28/20/12/4	Bit 27/19/11/3	Bit 26/18/10/2	Bit 25/17/9/1	Bit 24/16/8/0
31:24	r-1	U-0	U-0	U-0	U-0	U-0	U-0	R-0
	—	—	—	—	—	—	—	ISP
23:16	R-0	R-0	R-1	R-0	U-0	R-1	R-0	R-0
	DSP	UDI	SB	MDU	—	MM<1:0>		BM
15:8	R-0	R-0	R-0	R-0	R-0	R-1	R-0	R-1
	BE	AT<1:0>		AR<2:0>			U-0	U-0
7:0	U-0	U-0	U-0	U-0	U-0	R/W-0	—	—
	—	—	—	—	—	K0<2:0>		

Legend:	r = Reserved bit
R = Readable bit	W = Writable bit
-n = Value at POR	'1' = Bit is set
	U = Unimplemented bit, read as '0'
	'0' = Bit is cleared
	x = Bit is unknown

bit 31 **Reserved:** This bit is hardwired to '1' to indicate the presence of the Config1 register.

bit 30-25 **Unimplemented:** Read as '0'

bit 24 **ISP:** Instruction Scratch Pad RAM bit
0 = Instruction Scratch Pad RAM is not implemented

bit 23 **DSP:** Data Scratch Pad RAM bit
0 = Data Scratch Pad RAM is not implemented

bit 22 **UDI:** User-defined bit
0 = CorExtend User-Defined Instructions are not implemented

bit 21 **SB:** SimpleBE bit
1 = Only Simple Byte Enables are allowed on the internal bus interface

bit 20 **MDU:** Multiply/Divide Unit bit
0 = Fast, high-performance MDU

bit 19 **Unimplemented:** Read as '0'

bit 18-17 **MM<1:0>:** Merge Mode bits
10 = Merging is allowed

bit 16 **BM:** Burst Mode bit
0 = Burst order is sequential

bit 15 **BE:** Endian Mode bit
0 = Little-endian

bit 14-13 **AT<1:0>:** Architecture Type bits
00 = MIPS32

bit 12-10 **AR<2:0>:** Architecture Revision Level bits
001 = MIPS32 Release 2

bit 9-3 **Unimplemented:** Read as '0'

REGISTER 3-1: CONFIG: CONFIGURATION REGISTER; CP0 REGISTER 16, SELECT 0

bit 2-0 **K0<2:0>**: Kseg0 Coherency Algorithm bits

- 000 = Reserved
- 001 = Reserved
- 010 = Instruction Prefetch Uncached (Default)
- 011 = Instruction Prefetch cached (Recommended)
- 100 = Reserved
-
-
-
- 111 = Reserved

PIC32MK MCA Family

REGISTER 3-2: CONFIG1: CONFIGURATION REGISTER 1; CP0 REGISTER 16, SELECT 1

Bit Range	Bit 31/23/15/7	Bit 30/22/14/6	Bit 29/21/13/5	Bit 28/20/12/4	Bit 27/19/11/3	Bit 26/18/10/2	Bit 25/17/9/1	Bit 24/16/8/0
31:24	r-1	R-0	R-0	R-0	R-0	R-0	R-0	U-0
	—	MMUSIZE<5:0>						—
23:16	U-0	U-0	U-0	U-0	U-0	U-0	U-0	U-0
	—	—	—	—	—	—	—	—
15:8	U-0	U-0	U-0	U-0	U-0	U-0	U-0	U-0
	—	—	—	—	—	—	—	—
7:0	U-0	U-0	U-0	R-1	R-1	R-0	R-1	R-1
	—	—	—	PC	WR	CA	EP	FP

Legend:	r = Reserved bit
R = Readable bit	W = Writable bit U = Unimplemented bit, read as '0'
-n = Value at POR	'1' = Bit is set '0' = Bit is cleared x = Bit is unknown

bit 31 **Reserved:** This bit is hardwired to a '1' to indicate the presence of the Config2 register.

bit 30-25 **MMUSIZE<5:0>:** MMU Size bits

Note: This bit field is read as '0' decimal in the fixed table-based MMU core, as no TLB is present.

bit 24-5 **Unimplemented:** Read as '0'

bit 4 **PC:** Performance Counter bit

1 = The processor core contains Performance Counters

bit 3 **WR:** Watch Register Presence bit

1 = No Watch registers are present

bit 2 **CA:** Code Compression Implemented bit

0 = No MIPS16e[®] present

bit 1 **EP:** EJTAG Present bit

1 = Core implements EJTAG

bit 0 **FP:** Floating Point Unit bit

1 = Floating Point Unit is present

PIC32MK MCA Family

REGISTER 3-3: CONFIG3: CONFIGURATION REGISTER 3; CP0 REGISTER 16, SELECT 3

Bit Range	Bit 31/23/15/7	Bit 30/22/14/6	Bit 29/21/13/5	Bit 28/20/12/4	Bit 27/19/11/3	Bit 26/18/10/2	Bit 25/17/9/1	Bit 24/16/8/0
31:24	r-1	U-0	U-0	U-0	U-0	U-0	U-0	U-0
	—	—	—	—	—	—	—	—
23:16	U-0	R-0	R-1	R-0	R-0	R-0	R-1	R/W-y
	—	IPLW<1:0>		MMAR<2:0>			MCU	ISAONEXC ⁽¹⁾
15:8	R-y	R-y	R-1	R-1	R-1	R-1	U-0	R-1
	ISA<1:0> ⁽¹⁾		ULRI	RXI	DSP2P	DSPP	—	ITL
7:0	U-0	R-1	R-1	R-0	R-1	U-0	U-0	R-0
	—	VEIC	VINT	SP	CDMM	—	—	TL

Legend:	r = Reserved bit	y = Value set from Configuration bits on POR
R = Readable bit	W = Writable bit	U = Unimplemented bit, read as '0'
-n = Value at POR	'1' = Bit is set	'0' = Bit is cleared x = Bit is unknown

- bit 31 **Reserved:** This bit is hardwired as '1' to indicate the presence of the Config4 register
- bit 30-23 **Unimplemented:** Read as '0'
- bit 22-21 **IPLW<1:0>:** Width of the Status IPL and Cause RIPL bits
01 = IPL and RIPL bits are 8-bits in width
- bit 20-18 **MMAR<2:0>:** microMIPS Architecture Revision Level bits
000 = Release 1
- bit 17 **MCU:** MIPS® MCU™ ASE Implemented bit
1 = MCU ASE is implemented
- bit 16 **ISAONEXC:** ISA on Exception bit⁽¹⁾
1 = microMIPS is used on entrance to an exception vector
0 = MIPS32 ISA is used on entrance to an exception vector
- bit 15-14 **ISA<1:0>:** Instruction Set Availability bits⁽¹⁾
11 = Both MIPS32 and microMIPS are implemented; microMIPS is used when coming out of reset
10 = Both MIPS32 and microMIPS are implemented; MIPS32 ISA used when coming out of reset
- bit 13 **ULRI:** UserLocal Register Implemented bit
1 = UserLocal Coprocessor 0 register is implemented
- bit 12 **RXI:** RIE and XIE Implemented in PageGrain bit
1 = RIE and XIE bits are implemented
- bit 11 **DSP2P:** MIPS DSP ASE Revision 2 Presence bit
1 = DSP Revision 2 is present
- bit 10 **DSPP:** MIPS DSP ASE Presence bit
1 = DSP is present
- bit 9 **Unimplemented:** Read as '0'
- bit 8 **ITL:** Indicates that iFlowtrace® hardware is present
1 = The iFlowtrace® 2.0 hardware is implemented in the core
- bit 7 **Unimplemented:** Read as '0'
- bit 6 **VEIC:** External Vector Interrupt Controller bit
1 = Support for an external interrupt controller is implemented.
- bit 5 **VINT:** Vector Interrupt bit
1 = Vector interrupts are implemented
- bit 4 **SP:** Small Page bit
0 = 4 KB page size

Note 1: These bits are set based on the value of the BOOTISA Configuration bit (DEVCFG0<6>).

PIC32MK MCA Family

REGISTER 3-3: CONFIG3: CONFIGURATION REGISTER 3; CP0 REGISTER 16, SELECT 3

bit 3 **CDMM:** Common Device Memory Map bit
1 = CDMM is implemented

bit 2-1 **Unimplemented:** Read as '0'

bit 0 **TL:** Trace Logic bit
0 = Trace logic is not implemented

Note 1: These bits are set based on the value of the BOOTISA Configuration bit (DEVCFG0<6>).

PIC32MK MCA Family

REGISTER 3-4: CONFIG4: CONFIGURATION REGISTER 4; CP0 REGISTER 16, SELECT 4

Bit Range	Bit 31/23/15/7	Bit 30/22/14/6	Bit 29/21/13/5	Bit 28/20/12/4	Bit 27/19/11/3	Bit 26/18/10/2	Bit 25/17/9/1	Bit 24/16/8/0
31:24	R-1	U-0	U-0	U-0	U-0	U-0	U-0	U-0
	M	—	—	—	—	—	—	—
23:16	R-0	R-0	R-0	R-0	R-0	R-0	R-0	R-0
	KScr Exist<7:0>							
15:8	R/W-0	R/W-0	R/W-0	R/W-0	R/W-0	R/W-0	R/W-0	R/W-0
	—	—	—	—	—	—	—	—
7:0	R/W-0	R/W-0	R/W-0	R/W-0	R/W-0	R/W-0	R/W-0	R/W-0
	—	—	—	—	—	—	—	—

Legend:	r = Reserved	U = Unimplemented bit, read as '0'
R = Readable bit	W = Writable bit	'0' = Bit is cleared
-n = Value at POR	'1' = Bit is set	x = Bit is unknown

bit 31 **M:** Config5 Register Present bit
 1 = Config5 register is present
 0 = Config5 register is not present

bit 30-24 **Unimplemented:** Read as '0'

bit 23-16 **KScr Exist<7:0>:** Number of Scratch Registers Available to Kernel Mode bits

Indicates how many scratch registers are available to Kernel mode software within CP0 Register 31. Each bit represents a select for Coprocessor0 Register 31. Bit 16 represents Select 0. Bit 23 represents Select 7. If the bit is set, the associated scratch register is implemented and is available for Kernel mode software.

Note: These bits are read-only, and this field is all zeros on these products, as is read as '0'.

bit 15-0 **Reserved:** Read/write as '0'

PIC32MK MCA Family

REGISTER 3-5: CONFIG5: CONFIGURATION REGISTER 5; CP0 REGISTER 16, SELECT 5

Bit Range	Bit 31/23/15/7	Bit 30/22/14/6	Bit 29/21/13/5	Bit 28/20/12/4	Bit 27/19/11/3	Bit 26/18/10/2	Bit 25/17/9/1	Bit 24/16/8/0
31:24	U-0	U-0	U-0	U-0	U-0	U-0	U-0	U-0
	—	—	—	—	—	—	—	—
23:16	U-0	U-0	U-0	U-0	U-0	U-0	U-0	U-0
	—	—	—	—	—	—	—	—
15:8	U-0	U-0	U-0	U-0	U-0	U-0	U-0	U-0
	—	—	—	—	—	—	—	—
7:0	U-0	U-0	U-0	U-0	U-0	U-0	U-0	R-1
	—	—	—	—	—	—	—	NF

Legend:	r = Reserved
R = Readable bit	W = Writable bit U = Unimplemented bit, read as '0'
-n = Value at POR	'1' = Bit is set '0' = Bit is cleared x = Bit is unknown

bit 31-1 **Unimplemented:** Read as '0'
bit 0 **NF:** Nested Fault bit
1 = Nested Fault feature is implemented

REGISTER 3-6: CONFIG7: CONFIGURATION REGISTER 7; CP0 REGISTER 16, SELECT 7

Bit Range	Bit 31/23/15/7	Bit 30/22/14/6	Bit 29/21/13/5	Bit 28/20/12/4	Bit 27/19/11/3	Bit 26/18/10/2	Bit 25/17/9/1	Bit 24/16/8/0
31:24	R-1	U-0	U-0	U-0	U-0	U-0	U-0	U-0
	W11	—	—	—	—	—	—	—
23:16	U-0	U-0	U-0	U-0	U-0	U-0	U-0	U-0
	—	—	—	—	—	—	—	—
15:8	U-0	U-0	U-0	U-0	U-0	U-0	U-0	U-0
	—	—	—	—	—	—	—	—
7:0	U-0	U-0	U-0	U-0	U-0	U-0	U-0	U-0
	—	—	—	—	—	—	—	—

Legend:	W = Writable bit	U = Unimplemented bit, read as '0'
R = Readable bit	'1' = Bit is set	'0' = Bit is cleared x = Bit is unknown
-n = Value at POR		

bit 31 **W11:** Wait IE Ignore bit
1 = Indicates that this processor will allow an interrupt to unblock a WAIT instruction
bit 30-0 **Unimplemented:** Read as '0'

PIC32MK MCA Family

REGISTER 3-7: FIR: FLOATING POINT IMPLEMENTATION REGISTER; CP1 REGISTER 0

Bit Range	Bit 31/23/15/7	Bit 30/22/14/6	Bit 29/21/13/5	Bit 28/20/12/4	Bit 27/19/11/3	Bit 26/18/10/2	Bit 25/17/9/1	Bit 24/16/8/0
31:24	U-0	U-0	U-0	R-1	U-0	U-0	U-0	R-1
	—	—	—	UFRP	—	—	—	FC
23:16	R-1	R-1	R-1	R-1	R-0	R-0	R-1	R-1
	HAS2008	F64	L	W	MIPS3D	PS	D	S
15:8	R-1	R-0	R-1	R-0	R-0	R-1	R-1	R-1
	PRID<7:0>							
7:0	R-x	R-x	R-x	R-x	R-x	R-x	R-x	R-x
	REVISION<7:0>							

Legend:

R = Readable bit W = Writable bit U = Unimplemented bit, read as '0'
 -n = Value at POR '1' = Bit is set '0' = Bit is cleared x = Bit is unknown

- bit 31-29 **Unimplemented:** Read as '0'
- bit 28 **UFRP:** User Mode FR Switching Instruction bit
 1 = User mode FR switching instructions are supported
 0 = User mode FR switching instructions are not supported
- bit 27-25 **Unimplemented:** Read as '0'
- bit 24 **FC:** Full Convert Ranges bit
 1 = Full convert ranges are implemented (all numbers can be converted to another type by the FPU)
 0 = Full convert ranges are not implemented
- bit 23 **HAS008:** IEEE-754-2008 bit
 1 = MAC2008, ABS2008, NAN2008 bits exist within the FCSR register
 0 = MAC2009, ABS2008, and NAN2008 bits do not exist within the FCSR register
- bit 22 **F64:** 64-bit FPU bit
 1 = This is a 64-bit FPU
 0 = This is not a 64-bit FPU
- bit 21 **L:** Long Fixed Point Data Type bit
 1 = Long fixed point data types are implemented
 0 = Long fixed point data types are not implemented
- bit 20 **W:** Word Fixed Point data type bit
 1 = Word fixed point data types are implemented
 0 = Word fixed point data types are not implemented
- bit 19 **MIPS3D:** MIPS-3D ASE bit
 1 = MIPS-3D is implemented
 0 = MIPS-3D is not implemented
- bit 18 **PS:** Paired Single Floating Point data bit
 1 = PS floating point is implemented
 0 = PS floating point is not implemented
- bit 17 **D:** Double-precision floating point data bit
 1 = Double-precision floating point data types are implemented
 0 = Double-precision floating point data types are not implemented
- bit 16 **S:** Single-precision Floating Point Data bit
 1 = Single-precision floating point data types are implemented
 0 = Single-precision floating point data types are not implemented
- bit 15-8 **PRID<7:0>:** Processor Identification bits
 These bits allow software to distinguish between the various types of MIPS processors. For PIC32 devices with the MIPS32 microAptiv MCU core, this value is 0x9D.
- bit 7-0 **REVISION<7:0>:** Processor Revision Identification bits
 These bits allow software to distinguish between one revision and another of the same processor type. This number is increased on major revisions of the processor core

PIC32MK MCA Family

REGISTER 3-8: FCCR: FLOATING POINT CONDITION CODES REGISTER; CP1 REGISTER 25

Bit Range	Bit 31/23/15/7	Bit 30/22/14/6	Bit 29/21/13/5	Bit 28/20/12/4	Bit 27/19/11/3	Bit 26/18/10/2	Bit 25/17/9/1	Bit 24/16/8/0
31:24	U-0	U-0	U-0	U-0	U-0	U-0	U-0	U-0
	—	—	—	—	—	—	—	—
23:16	U-0	U-0	U-0	U-0	U-0	U-0	U-0	U-0
	—	—	—	—	—	—	—	—
15:8	U-0	U-0	U-0	U-0	U-0	U-0	U-0	U-0
	—	—	—	—	—	—	—	—
7:0	R/W-x	R/W-x	R/W-x	R/W-x	R/W-x	R/W-x	R/W-x	R/W-x
	FCC<7:0>							

Legend:

R = Readable bit

W = Writable bit

U = Unimplemented bit, read as '0'

-n = Value at POR

'1' = Bit is set

'0' = Bit is cleared

x = Bit is unknown

bit 31-8 **Unimplemented:** Read as '0'

bit 7-0 **FCC<7:0>:** Floating Point Condition Code bits

These bits record the results of floating point compares and are tested for floating point conditional branches and conditional moves.

PIC32MK MCA Family

REGISTER 3-10: FENR: FLOATING POINT EXCEPTIONS AND MODES ENABLE REGISTER; CP1 REGISTER 28

Bit Range	Bit 31/23/15/7	Bit 30/22/14/6	Bit 29/21/13/5	Bit 28/20/12/4	Bit 27/19/11/3	Bit 26/18/10/2	Bit 25/17/9/1	Bit 24/16/8/0
31:24	U-0	U-0	U-0	U-0	U-0	U-0	U-0	U-0
	—	—	—	—	—	—	—	—
23:16	U-0	U-0	U-0	U-0	U-0	U-0	U-0	U-0
	—	—	—	—	—	—	—	—
15:8	U-0	U-0	U-0	U-0	R/W-x	R/W-x	R/W-x	R/W-x
	—	—	—	—	ENABLES<4:1>			
					V	Z	O	U
7:0	R/W-x	U-0	U-0	U-0	U-0	R-x	R/W-x	R/W-x
	ENABLES<0>	—	—	—	—	FS	RM<1:0>	
	I							

Legend:

R = Readable bit
-n = Value at POR

W = Writable bit
'1' = Bit is set

U = Unimplemented bit, read as '0'
'0' = Bit is cleared
x = Bit is unknown

bit 31-12 **Unimplemented:** Read as '0'

bit 11-7 **ENABLES<4:0>:** FPU Exception Enable bits

These bits control whether or not a trap is taken when an IEEE exception condition occurs for any of the five conditions. The trap occurs when both an enable bit and its corresponding cause bit are set either during an FPU arithmetic operation or by moving a value to the FCSR or one of its alternative representations.

bit 11 **V:** Invalid Operation bit

bit 10 **Z:** Divide-by-Zero bit

bit 9 **O:** Overflow bit

bit 8 **U:** Underflow bit

bit 7 **I:** Inexact bit

bit 6-3 **Unimplemented:** Read as '0'

bit 2 **FS:** Flush to Zero control bit

1 = Denormal input operands are flushed to zero. Tiny results are flushed to either zero or the applied format's smallest normalized number (MinNorm) depending on the rounding mode settings.

0 = Denormal input operands result in an Unimplemented Operation exception.

bit 1-0 **RM<1:0>:** Rounding Mode control bits

11 = Round towards Minus Infinity ($-\infty$)

10 = Round towards Plus Infinity ($+\infty$)

01 = Round toward Zero (0)

00 = Round to Nearest

PIC32MK MCA Family

REGISTER 3-11: FCSR: FLOATING POINT CONTROL AND STATUS REGISTER; CP1 REGISTER 31

Bit Range	Bit 31/23/15/7	Bit 30/22/14/6	Bit 29/21/13/5	Bit 28/20/12/4	Bit 27/19/11/3	Bit 26/18/10/2	Bit 25/17/9/1	Bit 24/16/8/0
31:24	R/W-x	R/W-x	R/W-x	R/W-x	R/W-x	R/W-x	R/W-x	R/W-x
	FCC<7:1>							FS
23:16	R/W-x	R/W-x	R/W-x	R-0	R-1	R-1	R/W-x	R/W-x
	FCC<0>	FO	FN	MAC2008	ABS2008	NAN2008	CAUSE<5:4>	
15:8	R/W-x	R/W-x	R/W-x	R/W-x	R/W-x	R/W-x	R/W-x	R/W-x
	CAUSE<3:0>				ENABLES<4:1>			
					V	Z	O	U
7:0	R/W-x	R/W-x	R/W-x	R/W-x	R/W-x	R/W-x	R/W-x	R/W-x
	ENABLES<0>	FLAGS<4:0>					RM<1:0>	
	I	V	Z	O	U	I		

Legend:

R = Readable bit	W = Writable bit	U = Unimplemented bit, read as '0'
-n = Value at POR	'1' = Bit is set	'0' = Bit is cleared x = Bit is unknown

bit 31-25 **FCC<7:1>**: Floating Point Condition Code bits

These bits record the results of floating point compares and are tested for floating point conditional branches and conditional moves.

bit 24 **FS**: Flush to Zero control bit

1 = Denormal input operands are flushed to zero. Tiny results are flushed to either zero or the applied format's smallest normalized number (MinNorm) depending on the rounding mode settings.

0 = Denormal input operands result in an Unimplemented Operation exception.

bit 23 **FCC<0>**: Floating Point Condition Code bits

These bits record the results of floating point compares and are tested for floating point conditional branches and conditional moves.

bit 22 **FO**: Flush Override Control bit

1 = The intermediate result is kept in an internal format, which can be perceived as having the usual mantissa precision but with unlimited exponent precision and without forcing to a specific value or taking an exception.

0 = Handling of Tiny Result values depends on setting of the FS bit.

bit 21 **FN**: Flush to Nearest Control bit

1 = Final result is rounded to either zero or 2E_min (MinNorm), whichever is closest when in Round to Nearest (RN) rounding mode. For other rounding modes, a final result is given as if FS was set to 1.

0 = Handling of Tiny Result values depends on setting of the FS bit.

bit 20 **MAC2008**: Fused Multiply Add mode control bit

0 = Unfused multiply-add. Intermediary multiplication results are rounded to the destination format.

bit 19 **ABS2008**: Absolute value format control bit

1 = ABS.fmt and NEG.fmt instructions compliant with IEEE Standard 754-2008. The ABS and NEG functions accept QNaN inputs without trapping.

bit 18 **NAN2008**: NaN Encoding control bit

1 = Quiet and signaling NaN encodings recommended by the IEEE Standard 754-2008. A quiet NaN is encoded with the first bit of the fraction being 1 and a signaling NaN is encoded with the first bit of the fraction being 0.

bit 17-12 **CAUSE<5:0>**: FPU Exception Cause bits

These bits indicated the exception conditions that arise during execution of an FPU arithmetic instruction.

bit 17 **E**: Unimplemented Operation bit

bit 16 **V**: Invalid Operation bit

bit 15 **Z**: Divide-by-Zero bit

PIC32MK MCA Family

REGISTER 3-11: FCSR: FLOATING POINT CONTROL AND STATUS REGISTER; CP1 REGISTER 31

- bit 14 **O**: Overflow bit
- bit 13 **U**: Underflow bit
- bit 12 **I**: Inexact bit
- bit 11-7 **ENABLES<4:0>**: FPU Exception Enable bits
These bits control whether or not a trap is taken when an IEEE exception condition occurs for any of the five conditions. The trap occurs when both an enable bit and its corresponding cause bit are set either during an FPU arithmetic operation or by moving a value to the FCSR or one of its alternative representations.
- bit 11 **V**: Invalid Operation bit
- bit 10 **Z**: Divide-by-Zero bit
- bit 9 **O**: Overflow bit
- bit 8 **U**: Underflow bit
- bit 7 **I**: Inexact bit
- bit 6-2 **FLAGS<4:0>**: FPU Flags bits
These bits show any exception conditions that have occurred for completed instructions since the flag was last reset by software.
- bit 6 **V**: Invalid Operation bit
- bit 5 **Z**: Divide-by-Zero bit
- bit 4 **O**: Overflow bit
- bit 3 **U**: Underflow bit
- bit 2 **I**: Inexact bit
- bit 1-0 **RM<1:0>**: Rounding Mode control bits
11 = Round towards Minus Infinity ($-\infty$)
10 = Round towards Plus Infinity ($+\infty$)
01 = Round toward Zero (0)
00 = Round to Nearest

4.0 MEMORY ORGANIZATION

Note: This data sheet summarizes the features of the PIC32MK MCA Family of devices. It is not intended to be a comprehensive reference source. For detailed information, refer to **Section 48. “Memory Organization and Permissions”** (DS60001214), which is available from the *Documentation > Reference Manual* section of the Microchip PIC32 web site (www.microchip.com/pic32).

The PIC32MK MCA Family microcontrollers provide 4 GB of unified virtual memory address space. All memory regions, including program, data memory, Special Function Registers (SFRs) and Configuration registers, reside in this address space at their respective unique addresses. The program and data memories can be optionally partitioned into user and kernel memories. In addition, the PIC32MK MCA Family of devices allow execution from data memory.

The following are key features of the memory organization module:

- 32-bit native data width
- Separate User (KUSEG) and Kernel (KSEG0/KSEG1) mode address space
- Separate boot Flash memory for protected code
- Robust bus exception handling to intercept runaway code
- Read/write permission access to predefined memory regions

4.1 Memory Layout

The PIC32MK MCA Family microcontrollers implement two address schemes: virtual and physical. All hardware resources, such as program memory, data memory and peripherals, are located at their respective physical addresses. Virtual addresses are exclusively used by the CPU to fetch and execute instructions as well as access peripherals. Physical addresses are used by bus initiator peripherals, such as DMA and the Flash controller, that access memory independently of the CPU.

The main memory maps for the PIC32MK MCA Family of devices are illustrated in [Figure 4-1](#) through [Figure 4-1](#). [Figure 4-2](#) provides memory map information for boot Flash and boot alias. [Table 4-2](#) provides memory map information for SFRs.

PIC32MK MCA Family

FIGURE 4-1: MEMORY MAP FOR DEVICES WITH 128 KB PROGRAM MEMORY AND 32 KB RAM

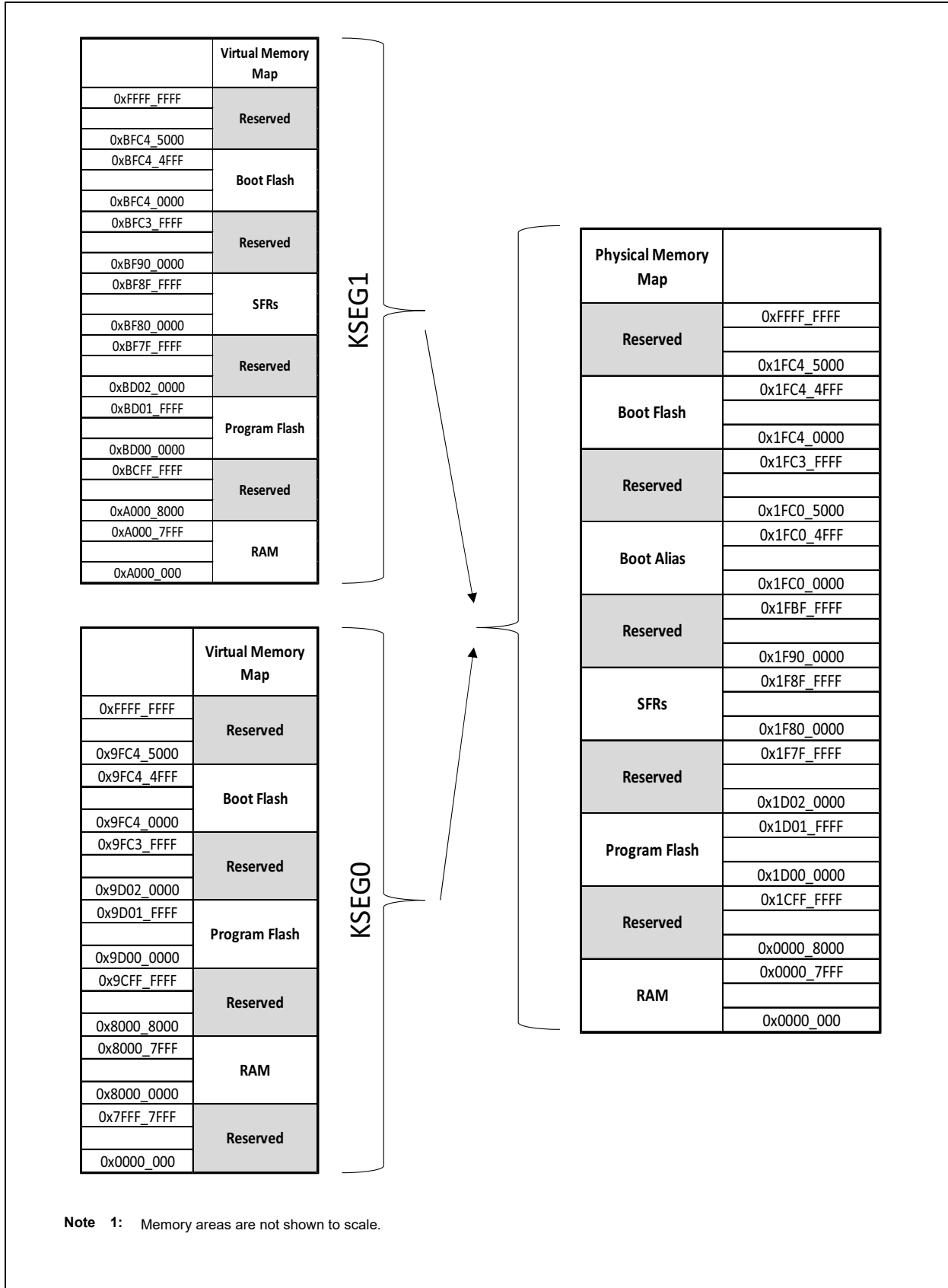


FIGURE 4-2: BOOT AND ALIAS MEMORY MAP

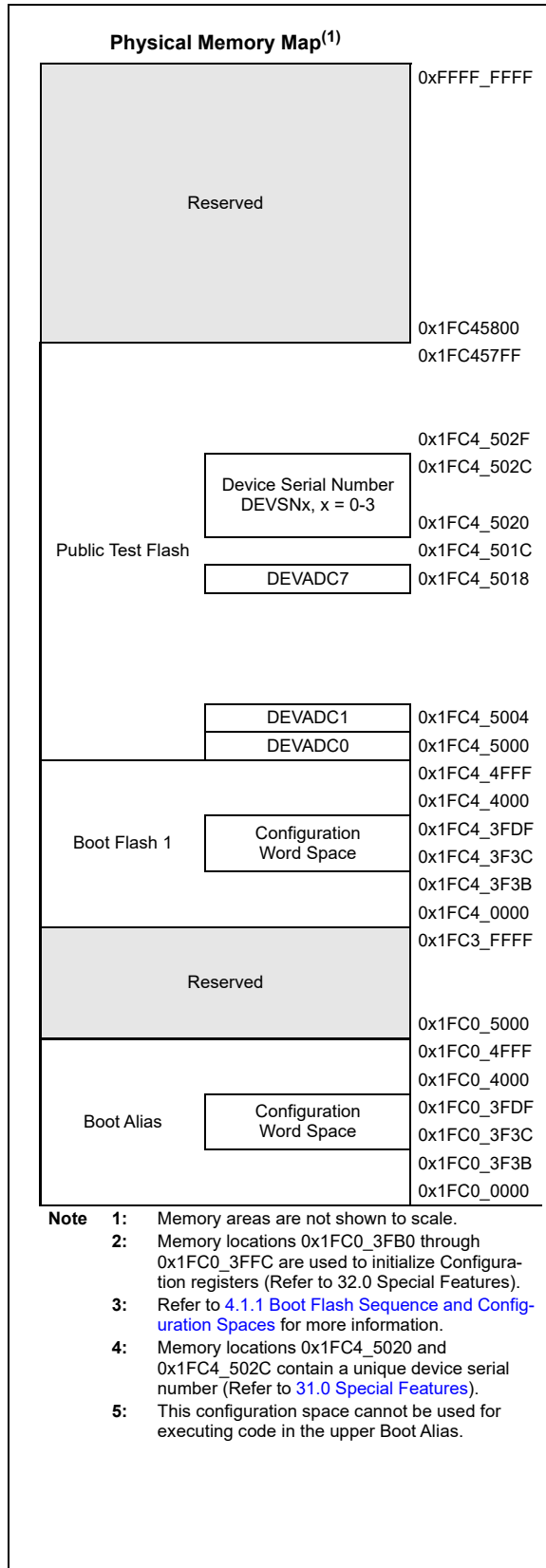


TABLE 4-1: SFR MEMORY MAP

Peripheral	Virtual Address	
	Base	Offset Start
CFG-PMD	0xBF800000	0x0000
CACHE		0x0800
FC-NVM		0x0A00
WDT		0x0C00
DMT		0x0E00
ICD		0x1000
CRU		0x1200
PPS		0x1400
HLVD		0x1800
EVIC		0xBF810000
DMA	0x1000	
Timer1-Timer5	0xBF820000	0x0000
IC1-IC4		0x2000
OC1-OC4		0x4000
I2C1-I2C2		0x6000
SPI1-SPI2		0x7000
UART1-UART2		0x8000
PWM1 - PWM4		0xA000
QE11-QE12		0xB200
CMP		0xC000
DAC		0xC600
CTMU		0xD000
CLC1		0xD200
PORTA-PORTD	0xBF860000	0x0000
ADC	0xBF880000	0x7000
RTCC	0xBF8C0000	0x0000
SSX CTL	0xBF8F0000	0x0000

Note 1: Refer to 4.2 [“System Bus Arbitration”](#) for important legal information.

PIC32MK MCA Family

4.1.1 BOOT FLASH SEQUENCE AND CONFIGURATION SPACES

Once the Boot Flash1 memory is aliased to the Boot Alias region, the configuration space located in the boot alias region is used as the basis for the Configuration words, DEVSIGN0, DEVCP0, and DEVCFGx.

Note: Use only Quad Word program operation (NVMOP<3:0> = 0010) when programming data into the sequence and configuration spaces.

4.1.2 ALTERNATE SEQUENCE AND CONFIGURATION WORDS

Every word in the configuration space and sequence space has an associated alternate word (designated by the letter A as the first letter in the name of the word). During device start-up, primary words are read, and if uncorrectable ECC errors are found, the BCFGERR (RCON<27>) flag is set and alternate words are used. If uncorrectable ECC errors are found in primary and alternate words, the BCFGFAIL (RCON<26>) flag is set and the default configuration is used.

TABLE 4-2: BOOT FLASH 1 SEQUENCE AND CONFIGURATION WORDS SUMMARY

Virtual Address (BFC4_#)	Register Name	Bit Range	Bits														All Reset
			31/15	30/14	29/13	28/12	27/11	26/10	25/9	24/8	23/7	22/6	21/5	20/4	19/3	18/2	
3F40	ABF1DEVCFG3	31:16	Note: See Table 31-1 for the bit descriptions.														xxxx
		15:0															xxxx
3F44	ABF1DEVCFG2	31:16															xxxx
		15:0															xxxx
3F48	ABF1DEVCFG1	31:16															xxxx
		15:0															xxxx
3F4C	ABF1DEVCFG0	31:16															xxxx
		15:0															xxxx
3F50	ABF1DEVCP3	31:16															xxxx
		15:0															xxxx
3F54	ABF1DEVCP2	31:16															xxxx
		15:0															xxxx
3F58	ABF1DEVCP1	31:16															xxxx
		15:0															xxxx
3F5C	ABF1DEVCP0	31:16															xxxx
		15:0															xxxx
3FC0	BF1DEVCFG3	31:16															xxxx
		15:0															xxxx
3FC4	BF1DEVCFG2	31:16															xxxx
		15:0															xxxx
3FC8	BF1DEVCFG1	31:16	xxxx														
		15:0	xxxx														
3FCC	BF1DEVCFG0	31:16	xxxx														
		15:0	xxxx														
3FD0	BF1DEVCP3	31:16	xxxx														
		15:0	xxxx														
3FD4	BF1DEVCP2	31:16	xxxx														
		15:0	xxxx														
3FD8	BF1DEVCP1	31:16	xxxx														
		15:0	xxxx														
3FDC	BF1DEVCP0	31:16	xxxx														
		15:0	xxxx														

Legend: x = unknown value on Reset; — = Reserved, read as '1'. Reset values are shown in hexadecimal.

PIC32MK MCA Family

4.2 System Bus Arbitration

Note: The System Bus interconnect implements one or more instantiations of the SonicsSX[®] interconnect from Sonics, Inc. This document contains materials that are (c) 2003-2015 Sonics, Inc., and that constitute proprietary information of Sonics, Inc. SonicsSX is a registered trademark of Sonics, Inc. All such materials and trademarks are used under license from Sonics, Inc.

As shown in the PIC32MK MCA Family Block Diagram (see [Figure 1-1](#)), there are multiple initiator modules (I1 through I13) in the system that can access various target modules (T1 through T14). [Table 4-3](#) illustrates which initiator can access which target. The System Bus supports simultaneous access to targets by initiators, so long as the initiators are accessing different targets. The System Bus will perform arbitration, if multiple initiators attempt to access the same target.

TABLE 4-3: INITIATORS TO TARGETS ACCESS ASSOCIATION

Target #	Initiator ID:	1	2	3	4	5	6	7
	Name:	CPU IS	CPU ID	DMA Read	DMA Write	Flash	ICD JTAG	ADC Mem.
1	Program Flash	X		X				
2	Data		X					
3	Peripheral Module			X			X	
4	RAM Bank 1	X	X	X	X	X	X	X
5	RAM Bank 2	X	X	X	X	X	X	X
7	Peripheral Bus 1: DMT, CVR, PPS Input, PPS Output, WDT						X	
8	Peripheral Bus 2: Timer1-Timer5, I2C1-I2C2, SPI1-SPI2, UART1-UART2, OC1-OC4, IC1-IC4, Comparator 1- Comparator 3 Op amp 1-3 PWM1-PWM4 QE11-QE12		X	X	X		X	
9	Peripheral Bus 3: CDAC1		X	X	X		X	
10	Peripheral Bus 4: PORTA-PORTD		X	X	X		X	
11	Peripheral Bus 5: ADC 0-2		X				X	
14	Peripheral Bus 6: RTCC		X				X	

The System Bus arbitration scheme implements a non-programmable, Least Recently Serviced (LRS) priority, which provides Quality Of Service (QOS) for most initiators. However, some initiators can use Fixed High Priority (HIGH) arbitration to guarantee their access to data.

The arbitration scheme for the available initiators is shown in [Table 4-4](#).

TABLE 4-4: INITIATOR ID AND QOS

Name	ID	QOS
CPU-IS	1	LRS
CPU-DS	2	LRS
DMA Read	3	LRS
DMA Write	4	LRS
Flash Controller	5	HIGH
ICD-JTAG	6	LRS
ADC	7	LRS

4.3 Permission Access and System Bus Registers

The System Bus on PIC32MK MCA Family of devices provides access control capabilities for the transaction initiators on the System Bus.

The System Bus divides the entire memory space into fourteen target regions and permits access to each target by initiators through permission groups. Four Permission Groups (0 through 3) can be assigned to each initiator. Each permission group is independent of the others and can have exclusive or shared access to a region.

Using the CFGPG register (see [Register 31-8](#) in [31.0 “Special Features”](#)), Boot firmware can assign a permission group to each initiator, which can make requests on the System Bus.

The available targets and their regions, as well as the associated control registers to assign protection, are described and listed in [Table 4-5](#).

[Register 4-1](#) through [Register 4-9](#) are used for setting and controlling access permission groups and regions.

To change these registers, they must be unlocked in hardware. The register lock is controlled by the PGLOCK Configuration bit (CFGCON<11>). Setting the PGLOCK bit prevents writes to the control registers and clearing the PGLOCK bit allows writes.

To set or clear the PGLOCK bit, an unlock sequence must be executed. Refer to [Section 42. “Oscillators with Enhanced PLL”](#) (DS60001250) in the *“PIC32 Family Reference Manual”* for details.

PIC32MK MCA Family

TABLE 4-5: SYSTEM BUS TARGETS AND ASSOCIATED PROTECTION REGISTERS

Target Number	Target Description	SBTxREGy Register					SBTxRDy Register		SBTxWRy Register	
		Name	Region	Physical Start Address	Region Size	Priority Level	Name	Read Permission (Group3, Group2, Group1, Group0)	Name	Write Permission (Group3, Group2, Group1, Group0)
0	System Bus	SBT0REG0	Region 0	1F8F0000		0	SBT0RD0	1,1,1,1	SBT0WR0	1,1,1,1
		SBT0REG1	Region 1	1F8F8000	32 KB	3	SBT0RD1	0,0,0,1	SBT0WR1	0,0,0,1
1	Flash Memory (CPU Instruction) Program Flash Boot Flash Prefetch	SBT1REG0	Region 0	1D000000		0	SBT1RD0	1,1,1,1	SBT1WR0	0,0,0,0
		SBT1REG2	Region 2	1FC04000	4 KB	2	SBT1RD2	0,0,0,1	SBT1WR2	0,0,0,0
		SBT1REG3	Region 3	1FC24000	4 KB	2	SBT1RD3	0,0,0,1	SBT1WR3	0,0,0,0
		SBT1REG4	Region 4	1FC44000	4 KB	2	SBT1RD4	0,0,0,1	SBT1WR4	0,0,0,0
		SBT1REG5	Region 5	1FC64000	4 KB	2	SBT1RD5	0,0,0,1	SBT1WR5	0,0,0,0
2	Flash Memory (CPU data) Program Flash	SBT2REG0	Region 0	1D000000		0	SBT2RD0	1,1,1,1	SBT2WR0	0,0,0,0
		SBT2REG2	Region 2	1FC04000	4 KB	2	SBT2RD2	0,0,0,1	SBT2WR2	0,0,0,0
		SBT2REG3	Region 3	1FC24000	4 KB	2	SBT2RD3	0,0,0,1	SBT2WR3	0,0,0,0
		SBT2REG4	Region 4	1FC44000	4 KB	2	SBT2RD4	0,0,0,1	SBT2WR4	0,0,0,0
		SBT2REG5	Region 5	1FC64000	4 KB	2	SBT2RD5	0,0,0,1	SBT2WR5	0,0,0,0
3	Flash Memory (peripheral) Program Flash	SBT3REG0	Region 0	1D000000		0	SBT3RD0	1,1,1,1	SBT3WR0	0,0,0,0
		SBT3REG2	Region 2	1FC04000	4 KB	2	SBT3RD2	0,0,0,1	SBT3WR2	0,0,0,0
		SBT3REG3	Region 3	1FC24000	4 KB	2	SBT3RD3	0,0,0,1	SBT3WR3	0,0,0,0
		SBT3REG4	Region 4	1FC44000	4 KB	2	SBT3RD4	0,0,0,1	SBT3WR4	0,0,0,0
		SBT3REG5	Region 5	1FC64000	4 KB	2	SBT3RD5	0,0,0,1	SBT3WR5	0,0,0,0

Legend: R = Read; R/W = Read/Write; 'x' in a register name = 0-13; 'y' in a register name = 0-8.

TABLE 4-6: SYSTEM BUS REGISTER MAP

Virtual Address (BF8F_#)	Register Name	Bit Range	Bits														All Resets		
			31/15	30/14	29/13	28/12	27/11	26/10	25/9	24/8	23/7	22/6	21/5	20/4	19/3	18/2		17/1	16/0
0510	SBFLAG	31:16	—	—	—	—	—	—	—	—	—	—	—	—	—	—	—	—	0000
		15:0	—	—	—	—	—	—	—	—	—	—	—	—	—	T3PGV	T2PGV	T1PGV	T0PGV

Legend: x = unknown value on Reset; — = unimplemented, read as '0'. Reset values are shown in hexadecimal.

TABLE 4-7: SYSTEM BUS TARGET 0 REGISTER MAP

Virtual Address (BF8F_#)	Register Name	Bit Range	Bits														All Resets		
			31/15	30/14	29/13	28/12	27/11	26/10	25/9	24/8	23/7	22/6	21/5	20/4	19/3	18/2		17/1	16/0
8020	SBT0ELOG1	31:16	MULTI	—	—	—	CODE<3:0>			—	—	—	—	—	—	—	—	—	0000
		15:0	INITID<7:0>				REGION<3:0>				—	CMD<2:0>				0000			
8024	SBT0ELOG2	31:16	—	—	—	—	—	—	—	—	—	—	—	—	—	—	—	—	0000
		15:0	—	—	—	—	—	—	—	—	—	—	—	—	—	GROUP<1:0>			0000
8028	SBT0ECON	31:16	—	—	—	—	—	—	ERRP	—	—	—	—	—	—	—	—	—	0000
		15:0	—	—	—	—	—	—	—	—	—	—	—	—	—	—	—	—	0000
8030	SBT0ECLRS	31:16	—	—	—	—	—	—	—	—	—	—	—	—	—	—	—	—	0000
		15:0	—	—	—	—	—	—	—	—	—	—	—	—	—	—	—	CLEAR	0000
8038	SBT0ECLRM	31:16	—	—	—	—	—	—	—	—	—	—	—	—	—	—	—	—	0000
		15:0	—	—	—	—	—	—	—	—	—	—	—	—	—	—	—	CLEAR	0000
8040	SBT0REG0	31:16	BASE<21:6>														xxxx		
		15:0	BASE<5:0>					PRI	—	SIZE<4:0>					—	—	—	xxxx	
8050	SBT0RD0	31:16	—	—	—	—	—	—	—	—	—	—	—	—	—	—	—	—	xxxx
		15:0	—	—	—	—	—	—	—	—	—	—	—	—	GROUP3	GROUP2	GROUP1	GROUP0	xxxx
8058	SBT0WR0	31:16	—	—	—	—	—	—	—	—	—	—	—	—	—	—	—	—	xxxx
		15:0	—	—	—	—	—	—	—	—	—	—	—	—	GROUP3	GROUP2	GROUP1	GROUP0	xxxx
8060	SBT0REG1	31:16	BASE<21:6>														xxxx		
		15:0	BASE<5:0>					PRI	—	SIZE<4:0>					—	—	—	xxxx	
8070	SBT0RD1	31:16	—	—	—	—	—	—	—	—	—	—	—	—	—	—	—	—	xxxx
		15:0	—	—	—	—	—	—	—	—	—	—	—	—	GROUP3	GROUP2	GROUP1	GROUP0	xxxx
8078	SBT0WR1	31:16	—	—	—	—	—	—	—	—	—	—	—	—	—	—	—	—	xxxx
		15:0	—	—	—	—	—	—	—	—	—	—	—	—	GROUP3	GROUP2	GROUP1	GROUP0	xxxx

Legend: x = unknown value on Reset; — = unimplemented, read as '0'. Reset values are shown in hexadecimal.

Note: For reset values listed as 'xxxx', please refer to [Table 4-5](#) for the actual reset values.

TABLE 4-8: SYSTEM BUS TARGET 1 REGISTER MAP

Virtual Address (BF8F_#)	Register Name	Bit Range	Bits														All Resets	
			31/15	30/14	29/13	28/12	27/11	26/10	25/9	24/8	23/7	22/6	21/5	20/4	19/3	18/2		17/1
8420	SBT1ELOG1	31:16	MULTI	—	—	—	CODE<3:0>			—	—	—	—	—	—	—	—	0000
		15:0	INITID<7:0>				REGION<3:0>				—	CMD<2:0>				0000		
8424	SBT1ELOG2	31:16	—	—	—	—	—	—	—	—	—	—	—	—	—	—	—	0000
		15:0	—	—	—	—	—	—	—	—	—	—	—	—	GROUP<1:0>			0000
8428	SBT1ECON	31:16	—	—	—	—	—	—	ERRP	—	—	—	—	—	—	—	—	0000
		15:0	—	—	—	—	—	—	—	—	—	—	—	—	—	—	—	0000
8430	SBT1ECLRS	31:16	—	—	—	—	—	—	—	—	—	—	—	—	—	—	—	0000
		15:0	—	—	—	—	—	—	—	—	—	—	—	—	—	—	CLEAR	0000
8438	SBT1ECLRM	31:16	—	—	—	—	—	—	—	—	—	—	—	—	—	—	—	0000
		15:0	—	—	—	—	—	—	—	—	—	—	—	—	—	—	CLEAR	0000
8440	SBT1REG0	31:16	BASE<21:6>														xxxx	
		15:0	BASE<5:0>				PRI	—	SIZE<4:0>				—	—	—	—	xxxx	
8450	SBT1RD0	31:16	—	—	—	—	—	—	—	—	—	—	—	—	—	—	—	xxxx
		15:0	—	—	—	—	—	—	—	—	—	—	—	—	GROUP3	GROUP2	GROUP1	GROUP0
8458	SBT1WR0	31:16	—	—	—	—	—	—	—	—	—	—	—	—	—	—	—	xxxx
		15:0	—	—	—	—	—	—	—	—	—	—	—	—	GROUP3	GROUP2	GROUP1	GROUP0
8480	SBT1REG2	31:16	BASE<21:6>														xxxx	
		15:0	BASE<5:0>				PRI	—	SIZE<4:0>				—	—	—	—	xxxx	
8490	SBT1RD2	31:16	—	—	—	—	—	—	—	—	—	—	—	—	—	—	—	xxxx
		15:0	—	—	—	—	—	—	—	—	—	—	—	—	GROUP3	GROUP2	GROUP1	GROUP0
8498	SBT1WR2	31:16	—	—	—	—	—	—	—	—	—	—	—	—	—	—	—	xxxx
		15:0	—	—	—	—	—	—	—	—	—	—	—	—	GROUP3	GROUP2	GROUP1	GROUP0
84A0	SBT1REG3	31:16	BASE<21:6>														xxxx	
		15:0	BASE<5:0>				PRI	—	SIZE<4:0>				—	—	—	—	xxxx	
84B0	SBT1RD3	31:16	—	—	—	—	—	—	—	—	—	—	—	—	—	—	—	xxxx
		15:0	—	—	—	—	—	—	—	—	—	—	—	—	GROUP3	GROUP2	GROUP1	GROUP0
84B8	SBT1WR3	31:16	—	—	—	—	—	—	—	—	—	—	—	—	—	—	—	xxxx
		15:0	—	—	—	—	—	—	—	—	—	—	—	—	GROUP3	GROUP2	GROUP1	GROUP0
84C0	SBT1REG4	31:16	BASE<21:6>														xxxx	
		15:0	BASE<5:0>				PRI	—	SIZE<4:0>				—	—	—	—	xxxx	
84D0	SBT1RD4	31:16	—	—	—	—	—	—	—	—	—	—	—	—	—	—	—	xxxx
		15:0	—	—	—	—	—	—	—	—	—	—	—	—	GROUP3	GROUP2	GROUP1	GROUP0
84D8	SBT1WR4	31:16	—	—	—	—	—	—	—	—	—	—	—	—	—	—	—	xxxx
		15:0	—	—	—	—	—	—	—	—	—	—	—	—	GROUP3	GROUP2	GROUP1	GROUP0

Legend: x = unknown value on Reset; — = unimplemented, read as '0'. Reset values are shown in hexadecimal.

Note: For reset values listed as 'xxxx', please refer to [Table 4-5](#) for the actual reset values.

TABLE 4-8: SYSTEM BUS TARGET 1 REGISTER MAP (CONTINUED)

Virtual Address (BF 8F_#)	Register Name	Bit Range	Bits														All Resets		
			31/15	30/14	29/13	28/12	27/11	26/10	25/9	24/8	23/7	22/6	21/5	20/4	19/3	18/2		17/1	16/0
84E0	SBT1REG5	31:16	BASE<21:6>														xxxx		
		15:0	BASE<5:0>					PRI	—	SIZE<4:0>					—	—	—	xxxx	
84F0	SBT1RD5	31:16	—	—	—	—	—	—	—	—	—	—	—	—	—	—	—	—	xxxx
		15:0	—	—	—	—	—	—	—	—	—	—	—	—	GROUP3	GROUP2	GROUP1	GROUP0	xxxx
84F8	SBT1WR5	31:16	—	—	—	—	—	—	—	—	—	—	—	—	—	—	—	—	xxxx
		15:0	—	—	—	—	—	—	—	—	—	—	—	—	GROUP3	GROUP2	GROUP1	GROUP0	xxxx

Legend: x = unknown value on Reset; — = unimplemented, read as '0'. Reset values are shown in hexadecimal.
Note: For reset values listed as 'xxxx', please refer to [Table 4-5](#) for the actual reset values.

TABLE 4-9: SYSTEM BUS TARGET 2 REGISTER MAPDS

Virtual Address (BF8F_#)	Register Name	Bit Range	Bits														All Resets		
			31/15	30/14	29/13	28/12	27/11	26/10	25/9	24/8	23/7	22/6	21/5	20/4	19/3	18/2		17/1	16/0
8820	SBT2ELOG1	31:16	MULTI	—	—	—	CODE<3:0>				—	—	—	—	—	—	—	—	0000
		15:0	INITID<7:0>				REGION<3:0>				—	CMD<2:0>				0000			
8824	SBT2ELOG2	31:16	—	—	—	—	—	—	—	—	—	—	—	—	—	—	—	—	0000
		15:0	—	—	—	—	—	—	—	—	—	—	—	—	—	GROUP<1:0>			0000
8828	SBT2ECON	31:16	—	—	—	—	—	—	ERRP	—	—	—	—	—	—	—	—	—	0000
		15:0	—	—	—	—	—	—	—	—	—	—	—	—	—	—	—	—	0000
8830	SBT2ECLRS	31:16	—	—	—	—	—	—	—	—	—	—	—	—	—	—	—	—	0000
		15:0	—	—	—	—	—	—	—	—	—	—	—	—	—	—	—	CLEAR	0000
8838	SBT2ECLRM	31:16	—	—	—	—	—	—	—	—	—	—	—	—	—	—	—	—	0000
		15:0	—	—	—	—	—	—	—	—	—	—	—	—	—	—	—	CLEAR	0000
8840	SBT2REG0	31:16	BASE<21:6>														xxxx		
		15:0	BASE<5:0>				PRI	—	SIZE<4:0>				—	—	—	—	xxxx		
8850	SBT2RD0	31:16	—	—	—	—	—	—	—	—	—	—	—	—	—	—	—	—	xxxx
		15:0	—	—	—	—	—	—	—	—	—	—	—	—	GROUP3	GROUP2	GROUP1	GROUP0	xxxx
8858	SBT2WR0	31:16	—	—	—	—	—	—	—	—	—	—	—	—	—	—	—	—	xxxx
		15:0	—	—	—	—	—	—	—	—	—	—	—	—	GROUP3	GROUP2	GROUP1	GROUP0	xxxx
8860	SBT2REG1	31:16	BASE<21:6>														xxxx		
		15:0	BASE<5:0>				PRI	—	SIZE<4:0>				—	—	—	—	xxxx		
8870	SBT2RD1	31:16	—	—	—	—	—	—	—	—	—	—	—	—	—	—	—	—	xxxx
		15:0	—	—	—	—	—	—	—	—	—	—	—	—	GROUP3	GROUP2	GROUP1	GROUP0	xxxx
8878	SBT2WR1	31:16	—	—	—	—	—	—	—	—	—	—	—	—	—	—	—	—	xxxx
		15:0	—	—	—	—	—	—	—	—	—	—	—	—	GROUP3	GROUP2	GROUP1	GROUP0	xxxx
8880	SBT2REG2	31:16	BASE<21:6>														xxxx		
		15:0	BASE<5:0>				PRI	—	SIZE<4:0>				—	—	—	—	xxxx		
8890	SBT2RD2	31:16	—	—	—	—	—	—	—	—	—	—	—	—	—	—	—	—	xxxx
		15:0	—	—	—	—	—	—	—	—	—	—	—	—	GROUP3	GROUP2	GROUP1	GROUP0	xxxx
8898	SBT2WR2	31:16	—	—	—	—	—	—	—	—	—	—	—	—	—	—	—	—	xxxx
		15:0	—	—	—	—	—	—	—	—	—	—	—	—	GROUP3	GROUP2	GROUP1	GROUP0	xxxx

Legend: x = unknown value on Reset; — = unimplemented, read as '0'. Reset values are shown in hexadecimal.

Note: For reset values listed as 'xxxx', please refer to [Table 4-5](#) for the actual reset values.

TABLE 4-10: SYSTEM BUS TARGET 3 REGISTER MAP

Virtual Address (BF8F_#)	Register Name	Bit Range	Bits														All Resets		
			31/15	30/14	29/13	28/12	27/11	26/10	25/9	24/8	23/7	22/6	21/5	20/4	19/3	18/2		17/1	16/0
8C20	SBT3ELOG1	31:16	MULTI	—	—	—	CODE<3:0>				—	—	—	—	—	—	—	—	0000
		15:0	INITID<7:0>				REGION<3:0>				—	CMD<2:0>				0000			
8C24	SBT3ELOG2	31:16	—	—	—	—	—	—	—	—	—	—	—	—	—	—	—	—	0000
		15:0	—	—	—	—	—	—	—	—	—	—	—	—	—	GROUP<1:0>			0000
8C28	SBT3ECON	31:16	—	—	—	—	—	—	ERRP	—	—	—	—	—	—	—	—	—	0000
		15:0	—	—	—	—	—	—	—	—	—	—	—	—	—	—	—	—	0000
8C30	SBT3ECLRS	31:16	—	—	—	—	—	—	—	—	—	—	—	—	—	—	—	—	0000
		15:0	—	—	—	—	—	—	—	—	—	—	—	—	—	—	—	CLEAR	0000
8C38	SBT3ECLRM	31:16	—	—	—	—	—	—	—	—	—	—	—	—	—	—	—	—	0000
		15:0	—	—	—	—	—	—	—	—	—	—	—	—	—	—	—	CLEAR	0000
8C40	SBT3REG0	31:16	BASE<21:6>														xxxx		
		15:0	BASE<5:0>				PRI	—	SIZE<4:0>				—	—	—	—	xxxx		
8C50	SBT3RD0	31:16	—	—	—	—	—	—	—	—	—	—	—	—	—	—	—	—	xxxx
		15:0	—	—	—	—	—	—	—	—	—	—	—	—	GROUP3	GROUP2	GROUP1	GROUP0	xxxx
8C58	SBT3WR0	31:16	—	—	—	—	—	—	—	—	—	—	—	—	—	—	—	—	xxxx
		15:0	—	—	—	—	—	—	—	—	—	—	—	—	GROUP3	GROUP2	GROUP1	GROUP0	xxxx
8C60	SBT3REG1	31:16	BASE<21:6>														xxxx		
		15:0	BASE<5:0>				PRI	—	SIZE<4:0>				—	—	—	—	xxxx		
8C70	SBT3RD1	31:16	—	—	—	—	—	—	—	—	—	—	—	—	—	—	—	—	xxxx
		15:0	—	—	—	—	—	—	—	—	—	—	—	—	GROUP3	GROUP2	GROUP1	GROUP0	xxxx
8C78	SBT3WR1	31:16	—	—	—	—	—	—	—	—	—	—	—	—	—	—	—	—	xxxx
		15:0	—	—	—	—	—	—	—	—	—	—	—	—	GROUP3	GROUP2	GROUP1	GROUP0	xxxx
8C80	SBT3REG2	31:16	BASE<21:6>														xxxx		
		15:0	BASE<5:0>				PRI	—	SIZE<4:0>				—	—	—	—	xxxx		
8C90	SBT3RD2	31:16	—	—	—	—	—	—	—	—	—	—	—	—	—	—	—	—	xxxx
		15:0	—	—	—	—	—	—	—	—	—	—	—	—	GROUP3	GROUP2	GROUP1	GROUP0	xxxx
8C98	SBT3WR2	31:16	—	—	—	—	—	—	—	—	—	—	—	—	—	—	—	—	xxxx
		15:0	—	—	—	—	—	—	—	—	—	—	—	—	GROUP3	GROUP2	GROUP1	GROUP0	xxxx

Legend: x = unknown value on Reset; — = unimplemented, read as '0'. Reset values are shown in hexadecimal.

Note: For reset values listed as 'xxxx', please refer to [Table 4-5](#) for the actual reset values.

PIC32MK MCA Family

REGISTER 4-1: SBFLAG: SYSTEM BUS STATUS FLAG REGISTER

Bit Range	Bit 31/23/15/7	Bit 30/22/14/6	Bit 29/21/13/5	Bit 28/20/12/4	Bit 27/19/11/3	Bit 26/18/10/2	Bit 25/17/9/1	Bit 24/16/8/0
31:24	U-0	U-0	U-0	U-0	U-0	U-0	U-0	U-0
	—	—	—	—	—	—	—	—
23:16	U-0	U-0	U-0	U-0	U-0	U-0	U-0	U-0
	—	—	—	—	—	—	—	—
15:8	U-0	U-0	U-0	U-0	U-0	U-0	U-0	U-0
	—	—	—	—	—	—	—	—
7:0	U-0	U-0	U-0	U-0	R-0	R-0	R-0	R-0
	—	—	—	—	T3PGV	T2PGV	T1PGV	T0PGV

Legend:

R = Readable bit W = Writable bit U = Unimplemented bit, read as '0'
 -n = Value at POR '1' = Bit is set '0' = Bit is cleared

bit 31-4 **Unimplemented:** Read as '0'

bit 3-0 **T3PGV:T0PGV:** Target Permission Group Violation Status bits

Refer to [Table 4-5](#) for the list of available targets and their descriptions.

1 = Target is reporting a Permission Group (PG) violation

0 = Target is not reporting a PG violation

Note: All errors are cleared at the source (i.e., SBTxELOG1, SBTxELOG2, SBTxECLRS, or SBTxECLRM registers).

PIC32MK MCA Family

REGISTER 4-2: SBTxELOG1: SYSTEM BUS TARGET 'x' ERROR LOG REGISTER 1 (‘x’ = 0-3)

Bit Range	Bit 31/23/15/7	Bit 30/22/14/6	Bit 29/21/13/5	Bit 28/20/12/4	Bit 27/19/11/3	Bit 26/18/10/2	Bit 25/17/9/1	Bit 24/16/8/0
31:24	R/W-0, C	U-0	U-0	U-0	R/W-0, C	R/W-0, C	R/W-0, C	R/W-0, C
	MULTI	—	—	—	CODE<3:0>			
23:16	U-0	U-0	U-0	U-0	U-0	U-0	U-0	U-0
	—	—	—	—	—	—	—	—
15:8	R-0	R-0	R-0	R-0	R-0	R-0	R-0	R-0
	INITID<7:0>							
7:0	R-0	R-0	R-0	R-0	U-0	R-0	R-0	R-0
	REGION<3:0>				—	CMD<2:0>		

Legend:	C = Clearable bit
R = Readable bit	W = Writable bit
-n = Value at POR	U = Unimplemented bit, read as '0'
	'1' = Bit is set
	'0' = Bit is cleared

bit 31 **MULTI:** Multiple Permission Violations Status bit

This bit is cleared by writing a '1'.

1 = Multiple errors have been detected

0 = No multiple errors have been detected

bit 30-28 **Unimplemented:** Read as '0'

bit 27-24 **CODE<3:0>:** Error Code bits

Indicates the type of error that was detected. These bits are cleared by writing a '1'.

1111 = Reserved

1101 = Reserved

.

.

.

0011 = Permission violation

0010 = Reserved

0001 = Reserved

0000 = No error

bit 23-16 **Unimplemented:** Read as '0'

bit 15-8 **INITID<7:0>:** Initiator ID of Requester bits

11111111 = Reserved

.

.

.

00001111 = Reserved

00001110 = Reserved

00001101 = Reserved

00001100 = Reserved

00001011 = Reserved

00001010 = Reserved

00001001 = Reserved

00001000 = Reserved

00000111 = ADC0, ADC1, ADC7

00000110 = Reserved

00000101 = Flash Controller

00000100 = DMA Read

00000011 = DMA Read

00000010 = CPU (CPUPRI (CFGCON<24>) = 1)

00000001 = CPU (CPUPRI (CFGCON<25>) = 0)

00000000 = Reserved

Note: Refer to [Table 4-5](#) for the list of available targets and their descriptions.

PIC32MK MCA Family

REGISTER 4-2: SBTxELOG1: SYSTEM BUS TARGET 'x' ERROR LOG REGISTER 1 (‘x’ = 0-3) (CONTINUED)

- bit 7-4 **REGION<3:0>**: Requested Region Number bits
 1111 - 0000 = Target’s region that reported a permission group violation
- bit 3 **Unimplemented**: Read as ‘0’
- bit 2-0 **CMD<2:0>**: Transaction Command of the Requester bits
 111 = Reserved
 110 = Reserved
 101 = Write (a non-posted write)
 100 = Reserved
 011 = Read (a locked read caused by a Read-Modify-Write transaction)
 010 = Read
 001 = Write
 000 = Idle

Note: Refer to [Table 4-5](#) for the list of available targets and their descriptions.

PIC32MK MCA Family

REGISTER 4-5: SBTxECLRS: SYSTEM BUS TARGET 'x' SINGLE ERROR CLEAR REGISTER ('x' = 0-3)

Bit Range	Bit 31/23/15/7	Bit 30/22/14/6	Bit 29/21/13/5	Bit 28/20/12/4	Bit 27/19/11/3	Bit 26/18/10/2	Bit 25/17/9/1	Bit 24/16/8/0
31:24	U-0	U-0	U-0	U-0	U-0	U-0	U-0	U-0
	—	—	—	—	—	—	—	—
23:16	U-0	U-0	U-0	U-0	U-0	U-0	U-0	U-0
	—	—	—	—	—	—	—	—
15:8	U-0	U-0	U-0	U-0	U-0	U-0	U-0	U-0
	—	—	—	—	—	—	—	—
7:0	U-0	U-0	U-0	U-0	U-0	U-0	U-0	R-0
	—	—	—	—	—	—	—	CLEAR

Legend:

R = Readable bit

W = Writable bit

U = Unimplemented bit, read as '0'

-n = Value at POR

'1' = Bit is set

'0' = Bit is cleared

bit 31-1 **Unimplemented:** Read as '0'

bit 0 **CLEAR:** Clear Single Error on Read bit

A single error as reported through SBTxELOG1 and SBTxELOG2 is cleared by a read of this register.

Note: Refer to [Table 4-5](#) for the list of available targets and their descriptions.

REGISTER 4-6: SBTxECLRM: SYSTEM BUS TARGET 'x' MULTIPLE ERROR CLEAR REGISTER ('x' = 0-3)

Bit Range	Bit 31/23/15/7	Bit 30/22/14/6	Bit 29/21/13/5	Bit 28/20/12/4	Bit 27/19/11/3	Bit 26/18/10/2	Bit 25/17/9/1	Bit 24/16/8/0
31:24	U-0	U-0	U-0	U-0	U-0	U-0	U-0	U-0
	—	—	—	—	—	—	—	—
23:16	U-0	U-0	U-0	U-0	U-0	U-0	U-0	U-0
	—	—	—	—	—	—	—	—
15:8	U-0	U-0	U-0	U-0	U-0	U-0	U-0	U-0
	—	—	—	—	—	—	—	—
7:0	U-0	U-0	U-0	U-0	U-0	U-0	U-0	R-0
	—	—	—	—	—	—	—	CLEAR

Legend:

R = Readable bit

W = Writable bit

U = Unimplemented bit, read as '0'

-n = Value at POR

'1' = Bit is set

'0' = Bit is cleared

bit 31-1 **Unimplemented:** Read as '0'

bit 0 **CLEAR:** Clear Multiple Errors on Read bit

Multiple errors as reported through SBTxELOG1 and SBTxELOG2 is cleared by a read of this register.

Note: Refer to [Table 4-5](#) for the list of available targets and their descriptions.

PIC32MK MCA Family

REGISTER 4-7: SBTxREGy: SYSTEM BUS TARGET 'x' REGION 'y' REGISTER (‘x’ = 0-3; ‘y’ = 0-2)

Bit Range	Bit 31/23/15/7	Bit 30/22/14/6	Bit 29/21/13/5	Bit 28/20/12/4	Bit 27/19/11/3	Bit 26/18/10/2	Bit 25/17/9/1	Bit 24/16/8/0
31:24	R/W0	R/W-0	R/W0	R/W-0	R/W0	R/W-0	R/W0	R/W-0
BASE<21:14>								
23:16	R/W-0	R/W-0	R/W-0	R/W-0	R/W-0	R/W-0	R/W-0	R/W-0
BASE<13:6>								
15:8	R/W-0	R/W-0	R/W-0	R/W-0	R/W-0	R/W-0	R-0	U-0
BASE<5:0>							PRI	—
7:0	R/W-0	R/W-0	R/W-0	R/W-0	R/W-0	U-0	U-0	U-0
SIZE<4:0>						—	—	—

Legend:

R = Readable bit

W = Writable bit

U = Unimplemented bit, read as ‘0’

-n = Value at POR

‘1’ = Bit is set

‘0’ = Bit is cleared

bit 31-10 **BASE<21:0>**: Region Base Address bits

bit 9 **PRI**: Region Priority Level bit

1 = Level 2

0 = Level 1

bit 8 **Unimplemented**: Read as ‘0’

bit 7-3 **SIZE<4:0>**: Region Size bits

Permissions for a region are only active if the SIZE is non-zero.

11111 = Region size = $2^{(SIZE - 1)} \times 1024$ (bytes)

•

•

•

00001 = Region size = $2^{(SIZE - 1)} \times 1024$ (bytes)

00000 = Region is not present

bit 2-0 **Unimplemented**: Read as ‘0’

Note 1: Refer to [Table 4-5](#) for the list of available targets and their descriptions.

2: For some target regions, certain bits in this register are read-only with preset values. See [Table 4-5](#) for more information.

PIC32MK MCA Family

REGISTER 4-8: SBTxRDy: SYSTEM BUS TARGET 'x' REGION 'y' READ PERMISSIONS REGISTER ('x' = 0-3; 'y' = 0-2)

Bit Range	Bit 31/23/15/7	Bit 30/22/14/6	Bit 29/21/13/5	Bit 28/20/12/4	Bit 27/19/11/3	Bit 26/18/10/2	Bit 25/17/9/1	Bit 24/16/8/0
31:24	U-0	U-0	U-0	U-0	U-0	U-0	U-0	U-0
	—	—	—	—	—	—	—	—
23:16	U-0	U-0	U-0	U-0	U-0	U-0	U-0	U-0
	—	—	—	—	—	—	—	—
15:8	U-0	U-0	U-0	U-0	U-0	U-0	U-0	U-0
	—	—	—	—	—	—	—	—
7:0	U-0	U-0	U-0	U-0	R-1	R-1	R-1	R-1
	—	—	—	—	GROUP3	GROUP2	GROUP1	GROUP0

Legend:

R = Readable bit

W = Writable bit

U = Unimplemented bit, read as '0'

-n = Value at POR

'1' = Bit is set

'0' = Bit is cleared

bit 31-4 **Unimplemented:** Read as '0'

bit 3 **GROUP3:** Group 3 Read Permissions bits
 1 = Privilege Group 3 has read permission
 0 = Privilege Group 3 does not have read permission

bit 2 **GROUP2:** Group 2 Read Permissions bits
 1 = Privilege Group 2 has read permission
 0 = Privilege Group 2 does not have read permission

bit 1 **GROUP1:** Group 1 Read Permissions bits
 1 = Privilege Group 1 has read permission
 0 = Privilege Group 1 does not have read permission

bit 0 **GROUP0:** Group 0 Read Permissions bits
 1 = Privilege Group 0 has read permission
 0 = Privilege Group 0 does not have read permission

Note 1: Refer to [Table 4-5](#) for the list of available targets and their descriptions.

Note 2: For some target regions, certain bits in this register are read-only with preset values. See [Table 4-5](#) for more information.

PIC32MK MCA Family

REGISTER 4-9: SBTxWRy: SYSTEM BUS TARGET 'x' REGION 'y' WRITE PERMISSIONS REGISTER ('x' = 0-3; 'y' = 0-2)

Bit Range	Bit 31/23/15/7	Bit 30/22/14/6	Bit 29/21/13/5	Bit 28/20/12/4	Bit 27/19/11/3	Bit 26/18/10/2	Bit 25/17/9/1	Bit 24/16/8/0
31:24	U-0	U-0	U-0	U-0	U-0	U-0	U-0	U-0
	—	—	—	—	—	—	—	—
23:16	U-0	U-0	U-0	U-0	U-0	U-0	U-0	U-0
	—	—	—	—	—	—	—	—
15:8	U-0	U-0	U-0	U-0	U-0	U-0	U-0	U-0
	—	—	—	—	—	—	—	—
7:0	U-0	U-0	U-0	U-0	R/W-1	R/W-1	R/W-1	R/W-1
	—	—	—	—	GROUP3	GROUP2	GROUP1	GROUP0

Legend:

R = Readable bit

W = Writable bit

U = Unimplemented bit, read as '0'

-n = Value at POR

'1' = Bit is set

'0' = Bit is cleared

bit 31-4 **Unimplemented:** Read as '0'

bit 3 **GROUP3:** Group 3 Write Permissions bits

1 = Privilege Group 3 has write permission

0 = Privilege Group 3 does not have write permission

bit 2 **GROUP2:** Group 2 Write Permissions bits

1 = Privilege Group 2 has write permission

0 = Privilege Group 2 does not have write permission

bit 1 **GROUP1:** Group 1 Write Permissions bits

1 = Privilege Group 1 has write permission

0 = Privilege Group 1 does not have write permission

bit 0 **GROUP0:** Group 0 Write Permissions bits

1 = Privilege Group 0 has write permission

0 = Privilege Group 0 does not have write permission

Note 1: Refer to [Table 4-5](#) for the list of available targets and their descriptions.

Note 2: For some target regions, certain bits in this register are read-only with preset values. See [Table 4-5](#) for more information.

PIC32MK MCA Family

5.0 FLASH PROGRAM MEMORY

Note: This data sheet summarizes the features of the PIC32MK MCA Family of devices. It is not intended to be a comprehensive reference source. To complement the information in this data sheet, refer to **Section 52. “Flash Program Memory”** (DS60001193), which is available from the *Documentation > Reference Manual* section of the Microchip PIC32 web site (www.microchip.com/pic32).

The PIC32MK MCA Family of devices contain an internal Flash program memory for executing user code, which includes the following features:

- Write protection for program and boot Flash
- ECC support

There are three methods by which the user can program this memory:

- Run-Time Self-Programming (RTSP)
- EJTAG Programming
- In-Circuit Serial Programming (ICSP)

RTSP is performed by software executing from either Flash or RAM memory. For information about RTSP techniques, refer to **Section 52. “Flash Program Memory”** (DS60001193) in the *“PIC32 Family Reference Manual”*.

EJTAG is performed using the EJTAG port of the device and an EJTAG capable programmer.

ICSP is performed using a serial data connection to the device and allows much faster programming times than RTSP.

The EJTAG and ICSP methods are described in the *“PIC32 Flash Programming Specification”* (DS60001145), which is available for download from the Microchip website.

Note: In the PIC32MK MCA Family of devices, the Flash page size is 1024 Instruction Words and the row size is 128 Instruction Words.

5.1 Flash Control Registers

TABLE 5-1: FLASH CONTROLLER REGISTER MAP

Virtual Address (BF80_#)	Register Name	Bit Range	Bits															All Resets	
			31/15	30/14	29/13	28/12	27/11	26/10	25/9	24/8	23/7	22/6	21/5	20/4	19/3	18/2	17/1		16/0
0A00	NVMCON ⁽¹⁾	31:16	—	—	—	—	—	—	—	—	—	—	—	—	—	—	—	—	0000
		15:0	WR	WREN	WRERR	LVDERR	—	—	—	—	—	—	—	—	—	NVMOP<3:0>			0000
0A10	NVMKEY	31:16	NVMKEY<31:0>															0000	
		15:0																0000	
0A20	NVMADDR ⁽¹⁾	31:16	NVMADDR<31:0>															0000	
		15:0																0000	
0A30	NVMDATA0	31:16	NVMDATA0<31:0>															0000	
		15:0																0000	
0A40	NVMDATA1	31:16	NVMDATA1<31:0>															0000	
		15:0																0000	
0A50	NVMDATA2	31:16	NVMDATA2<31:0>															0000	
		15:0																0000	
0A60	NVMDATA3	31:16	NVMDATA3<31:0>															0000	
		15:0																0000	
0A70	NVMSRC ADDR	31:16	NVMSRCADDR<31:0>															0000	
		15:0																0000	
0A80	NVMPWP ⁽¹⁾	31:16	PWPUNLOCK	—	—	—	—	—	—	—	—	PWP<23:16>						8000	
		15:0	PWP<15:0>															0000	
0A90	NVMBWP ⁽¹⁾	31:16	—	—	—	—	—	—	—	—	—	—	—	—	—	—	—	—	0000
		15:0	LBWPUNLOCK	—	—	LBWP4	LBWP3	LBWP2	LBWP1	LBWP0	UBWPUNLOCK	—	—	UBWP4	UBWP3	UBWP2	UBWP1	UBWP0	9FDF
0AA0	NVMCON2 ⁽¹⁾	31:16	ERSCNT<3:0>				—	—	—	—	—	—	—	—	—	—	—	—	001F
		15:0	—	—	CREAD1	VREAD1	—	—	ERETRY<1:0>		SWAPLOCK<1:0>		—	—	—	—	—	—	0000

Legend: x = unknown value on Reset; — = unimplemented, read as '0'. Reset values are shown in hexadecimal.

Note 1: This register has corresponding CLR, SET, and INV registers at their virtual addresses, plus offsets of 0x4, 0x8, and 0xC, respectively. See [11.2 “CLR, SET, and INV Registers”](#) for more information.

PIC32MK MCA Family

REGISTER 5-1: NVMCON: PROGRAMMING CONTROL REGISTER

Bit Range	Bit 31/23/15/7	Bit 30/22/14/6	Bit 29/21/13/5	Bit 28/20/12/4	Bit 27/19/11/3	Bit 26/18/10/2	Bit 25/17/9/1	Bit 24/16/8/0
31:24	U-0 —	U-0 —	U-0 —	U-0 —	U-0 —	U-0 —	U-0 —	U-0 —
23:16	U-0 —	U-0 —	U-0 —	U-0 —	U-0 —	U-0 —	U-0 —	U-0 —
15:8	R/W-0, HC WR ⁽¹⁾	R/W-0 WREN ⁽¹⁾	R-0, HS, HC WRERR ⁽¹⁾	R-0, HS, HC LVDERR ⁽¹⁾	U-0 —	U-0 —	U-0 —	U-0 —
7:0	U-0 —	U-0 —	U-0 —	U-0 —	R/W-0	R/W-0	R/W-0	R/W-0
NVMOP<3:0>								

Legend:	HS = Hardware Set	HC = Hardware Cleared
R = Readable bit	W = Writable bit	U = Unimplemented bit, read as '0'
-n = Value at POR	'1' = Bit is set	'0' = Bit is cleared x = Bit is unknown

bit 31-16 **Unimplemented:** Read as '0'

bit 15 **WR:** Write Control bit⁽¹⁾

This bit cannot be cleared and can be set only when WREN = 1 and the unlock sequence has been performed.

1 = Initiate a Flash operation

0 = Flash operation is complete or inactive

bit 14 **WREN:** Write Enable bit⁽¹⁾

1 = Enable writes to the WR bit and disables writes to the NVMOP<3:0> bits

0 = Disable writes to WR bit and enables writes to the NVMOP<3:0> bits

bit 13 **WRERR:** Write Error bit⁽¹⁾

This bit can be cleared only by setting the NVMOP<3:0> bits = 0000 and initiating a Flash operation.

1 = Program or erase sequence did not complete successfully

0 = Program or erase sequence completed normally

bit 12 **LVDERR:** Low-Voltage Detect Error bit⁽¹⁾

This bit can be cleared only by setting the NVMOP<3:0> bits = 0000 and initiating a Flash operation.

1 = Low-voltage detected (possible data corruption, if WRERR is set)

0 = Voltage level is acceptable for programming

bit 11-4 **Unimplemented:** Read as '0'

Note 1: These bits are only reset by a Power-on Reset (POR) and are not affected by other reset sources.

2: This bit can only be modified when the WREN bit = 0, the NVMKEY unlock sequence is satisfied, and the SWAPLOCK<1:0> bits (NVMCON2<7:6>) are cleared to '0'.

3: This operation results in a "No Operation" (NOP) when the Dynamic Flash ECC Configuration bits = 00 (FECCCON<1:0> (DVCFG0<9:8>)), which enables ECC at all times. For all other FECCCON<1:0> bit settings, this command will execute, but will not write the ECC bits for the word and can cause DED errors if dynamic Flash ECC is enabled (FECCCON<1:0> = 01). Refer to **Section 52. "Flash Program Memory"** (DS60001193) for information regarding ECC and Flash programming.

REGISTER 5-1: NVMCON: PROGRAMMING CONTROL REGISTER (CONTINUED)

bit 3-0 **NVMOP<3:0>**: NVM Operation bits

These bits are only writable when WREN = 0.

1111 = Reserved

.

.

1000 = Reserved

0111 = Program erase operation: erase all of program Flash memory (all pages must be unprotected, PWP<23:0> = 0x000000)

0110 = Reserved

0101 = Program Flash memory erase operation: erases all of Program Flash (all pages in that region must be unprotected)

0100 = Page erase operation: erases page selected by NVMADDR, if it is not write-protected

0011 = Row program operation: programs row selected by NVMADDR, if it is not write-protected

0010 = Quad Word (128-bit) program operation: programs the 128-bit Flash word selected by NVMADDR, if it is not write-protected

0001 = Word program operation: programs word selected by NVMADDR, if it is not write-protected⁽⁴⁾

0000 = No operation

- Note 1:** These bits are only reset by a Power-on Reset (POR) and are not affected by other reset sources.
- 2:** This bit can only be modified when the WREN bit = 0, the NVMKEY unlock sequence is satisfied, and the SWAPLOCK<1:0> bits (NVMCON2<7:6>) are cleared to '0'.
- 3:** This operation results in a "No Operation" (NOPE) when the Dynamic Flash ECC Configuration bits = 00 (FECCCON<1:0> (DVCFG0<9:8>)), which enables ECC at all times. For all other FECCCON<1:0> bit settings, this command will execute, but will not write the ECC bits for the word and can cause DED errors if dynamic Flash ECC is enabled (FECCCON<1:0> = 01). Refer to **Section 52. "Flash Program Memory"** (DS60001193) for information regarding ECC and Flash programming.

PIC32MK MCA Family

REGISTER 5-2: NVMKEY: PROGRAMMING UNLOCK REGISTER

Bit Range	Bit 31/23/15/7	Bit 30/22/14/6	Bit 29/21/13/5	Bit 28/20/12/4	Bit 27/19/11/3	Bit 26/18/10/2	Bit 25/17/9/1	Bit 24/16/8/0
31:24	W-0	W-0	W-0	W-0	W-0	W-0	W-0	W-0
NVMKEY<31:24>								
23:16	W-0	W-0	W-0	W-0	W-0	W-0	W-0	W-0
NVMKEY<23:16>								
15:8	W-0	W-0	W-0	W-0	W-0	W-0	W-0	W-0
NVMKEY<15:8>								
7:0	W-0	W-0	W-0	W-0	W-0	W-0	W-0	W-0
NVMKEY<7:0>								

Legend:

R = Readable bit W = Writable bit U = Unimplemented bit, read as '0'
 -n = Value at POR '1' = Bit is set '0' = Bit is cleared x = Bit is unknown

bit 31-0 **NVMKEY<31:0>**: Unlock Register bits
 These bits are write-only, and read as '0' on any read

Note: This register is used as part of the unlock sequence to prevent inadvertent writes to the PFM.

REGISTER 5-3: NVMADDR: FLASH ADDRESS REGISTER

Bit Range	Bit 31/23/15/7	Bit 30/22/14/6	Bit 29/21/13/5	Bit 28/20/12/4	Bit 27/19/11/3	Bit 26/18/10/2	Bit 25/17/9/1	Bit 24/16/8/0
31:24	R/W-0	R/W-0	R/W-0	R/W-0	R/W-0	R/W-0	R/W-0	R/W-0
NVMADDR<31:24> ⁽¹⁾								
23:16	R/W-0	R/W-0	R/W-0	R/W-0	R/W-0	R/W-0	R/W-0	R/W-0
NVMADDR<23:16> ⁽¹⁾								
15:8	R/W-0	R/W-0	R/W-0	R/W-0	R/W-0	R/W-0	R/W-0	R/W-0
NVMADDR<15:8> ⁽¹⁾								
7:0	R/W-0	R/W-0	R/W-0	R/W-0	R/W-0	R/W-0	R/W-0	R/W-0
NVMADDR<7:0> ⁽¹⁾								

Legend:

R = Readable bit W = Writable bit U = Unimplemented bit, read as '0'
 -n = Value at POR '1' = Bit is set '0' = Bit is cleared x = Bit is unknown

bit 31-0 **NVMADDR<31:0>**: Flash Address bits⁽¹⁾

NVMOP<3:0> Selection	Flash Address Bits (NVMADDR<31:0>)
Page Erase	Address identifies the page to erase (NVMADDR<11:0> are ignored).
Row Program	Address identifies the row to program (NVMADDR<8:0> are ignored).
Word Program	Address identifies the word to program (NVMADDR<1:0> are ignored).
Quad Word Program	Address identifies the quad word (128-bit) to program (NVMADDR<3:0> bits are ignored).

Note 1: For all other NVMOP<3:0> bit settings, the Flash address is ignored. See the NVMCON register ([Register 5-1](#)) for additional information on these bits.

Note: The bits in this register are only reset by a POR and are not affected by other reset sources.

PIC32MK MCA Family

REGISTER 5-4: NVMDATAx: FLASH DATA REGISTER (x = 0-3)

Bit Range	Bit 31/23/15/7	Bit 30/22/14/6	Bit 29/21/13/5	Bit 28/20/12/4	Bit 27/19/11/3	Bit 26/18/10/2	Bit 25/17/9/1	Bit 24/16/8/0
31:24	R/W-0	R/W-0	R/W-0	R/W-0	R/W-0	R/W-0	R/W-0	R/W-0
NVMDATA<31:24>								
23:16	R/W-0	R/W-0	R/W-0	R/W-0	R/W-0	R/W-0	R/W-0	R/W-0
NVMDATA<23:16>								
15:8	R/W-0	R/W-0	R/W-0	R/W-0	R/W-0	R/W-0	R/W-0	R/W-0
NVMDATA<15:8>								
7:0	R/W-0	R/W-0	R/W-0	R/W-0	R/W-0	R/W-0	R/W-0	R/W-0
NVMDATA<7:0>								

Legend:

R = Readable bit

W = Writable bit

U = Unimplemented bit, read as '0'

-n = Value at POR

'1' = Bit is set

'0' = Bit is cleared

x = Bit is unknown

bit 31-0 **NVMDATA<31:0>**: Flash Data bits

Word Program: Writes NVMDATA0 to the target Flash address defined in NVMADDR

Quad Word Program: Writes NVMDATA3:NVMDATA2:NVMDATA1:NVMDATA0 to the target Flash address defined in NVMADDR. NVMDATA0 contains the Least Significant Instruction Word.

Note: The bits in this register are only reset by a POR and are not affected by other reset sources.

REGISTER 5-5: NVMSRCADDR: SOURCE DATA ADDRESS REGISTER

Bit Range	Bit 31/23/15/7	Bit 30/22/14/6	Bit 29/21/13/5	Bit 28/20/12/4	Bit 27/19/11/3	Bit 26/18/10/2	Bit 25/17/9/1	Bit 24/16/8/0
31:24	R/W-0	R/W-0	R/W-0	R/W-0	R/W-0	R/W-0	R/W-0	R/W-0
NVMSRCADDR<31:24>								
23:16	R/W-0	R/W-0	R/W-0	R/W-0	R/W-0	R/W-0	R/W-0	R/W-0
NVMSRCADDR<23:16>								
15:8	R/W-0	R/W-0	R/W-0	R/W-0	R/W-0	R/W-0	R/W-0	R/W-0
NVMSRCADDR<15:8>								
7:0	R/W-0	R/W-0	R/W-0	R/W-0	R/W-0	R/W-0	R/W-0	R/W-0
NVMSRCADDR<7:0>								

Legend:

R = Readable bit

W = Writable bit

U = Unimplemented bit, read as '0'

-n = Value at POR

'1' = Bit is set

'0' = Bit is cleared

x = Bit is unknown

bit 31-0 **NVMSRCADDR<31:0>**: Source Data Address bits

The system physical address of the data to be programmed into the Flash when the NVMOP<3:0> bits (NVMCON<3:0>) are set to perform row programming.

Note: The bits in this register are only reset by a POR and are not affected by other reset sources.

PIC32MK MCA Family

REGISTER 5-6: NVMPWP: PROGRAM FLASH WRITE-PROTECT REGISTER

Bit Range	Bit 31/23/15/7	Bit 30/22/14/6	Bit 29/21/13/5	Bit 28/20/12/4	Bit 27/19/11/3	Bit 26/18/10/2	Bit 25/17/9/1	Bit 24/16/8/0
31:24	R/W-1	U-0	U-0	U-0	U-0	U-0	U-0	U-0
	PWPUNLOCK	—	—	—	—	—	—	—
23:16	R/W-0	R/W-0	R/W-0	R/W-0	R/W-0	R/W-0	R/W-0	R/W-0
	PWP<23:16>							
15:8	R/W-0	R/W-0	R-0	R-0	R-0	R-0	R-0	R-0
	PWP<15:8>							
7:0	R-0	R-0	R-0	R-0	R-0	R-0	R-0	R-0
	PWP<7:0>							

Legend:

R = Readable bit W = Writable bit U = Unimplemented bit, read as '0'
 -n = Value at POR '1' = Bit is set '0' = Bit is cleared x = Bit is unknown

bit 31 **PWPUNLOCK:** Program Flash Memory Page Write-protect Unlock bit

1 = Register is not locked and can be modified

0 = Register is locked and cannot be modified

This bit is only clearable and cannot be set except by any reset.

bit 30-24 **Unimplemented:** Read as '0'

bit 23-0 **PWP<23:0>:** Flash Program Write-protect (Page) Address bits

Physical memory below address 0x1Dxxxxxx is write protected, where 'xxxxxx' is specified by PWP<23:0>.

When PWP<23:0> has a value of '0', write protection is disabled for the entire program Flash. If the specified address falls within the page, the entire page and all pages below the current page will be protected.

Note: The bits in this register are only writable when the NVMKEY unlock sequence is followed.

PIC32MK MCA Family

REGISTER 5-7: NVMBWP: FLASH BOOT (PAGE) WRITE-PROTECT REGISTER

Bit Range	Bit 31/23/15/7	Bit 30/22/14/6	Bit 29/21/13/5	Bit 28/20/12/4	Bit 27/19/11/3	Bit 26/18/10/2	Bit 25/17/9/1	Bit 24/16/8/0
31:24	U-0	U-0	U-0	U-0	U-0	U-0	U-0	U-0
	—	—	—	—	—	—	—	—
23:16	U-0	U-0	U-0	U-0	U-0	U-0	U-0	U-0
	—	—	—	—	—	—	—	—
15:8	R/W-1	U-0	U-0	R/W-1	R/W-1	R/W-1	R/W-1	R/W-1
	BWPUNLOCK	—	—	BWP4 ⁽¹⁾	BWP3 ⁽¹⁾	BWP2 ⁽¹⁾	BWP1 ⁽¹⁾	BWP0 ⁽¹⁾
7:0	r-1	r-1	U-0	r-1	r-1	r-1	r-1	r-1
	—	—	—	—	—	—	—	—

Legend:

R = Readable bit
-n = Value at POR

W = Writable bit
'1' = Bit is set

r = Reserved

U = Unimplemented bit, read as '0'

'0' = Bit is cleared

x = Bit is unknown

bit 31-16 **Unimplemented:** Read as '0'

bit 15 **BWPUNLOCK:** Lower Boot Alias Write-protect Unlock bit

1 = LBWPx bits are not locked and can be modified

0 = LBWPx bits are locked and cannot be modified

This bit is only clearable and cannot be set except by any reset.

bit 14-13 **Unimplemented:** Read as '0'

bit 12 **BWP4:** Boot Alias Page 4 Write-protect bit⁽¹⁾

1 = Write protection for physical address 0x01FC40000 through 0x01FC40FFF enabled

0 = Write protection for physical address 0x01FC40000 through 0x01FC40FFF disabled

bit 11 **BWP3:** Boot Alias Page 3 Write-protect bit⁽¹⁾

1 = Write protection for physical address 0x01FC41000 through 0x01FC41FFF enabled

0 = Write protection for physical address 0x01FC41000 through 0x01FC41FFF disabled

bit 10 **BWP2:** Boot Alias Page 2 Write-protect bit⁽¹⁾

1 = Write protection for physical address 0x01FC42000 through 0x01FC42FFF enabled

0 = Write protection for physical address 0x01FC42000 through 0x01FC42FFF disabled

bit 9 **BWP1:** Boot Alias Page 1 Write-protect bit⁽¹⁾

1 = Write protection for physical address 0x01FC43000 through 0x01FC43FFF enabled

0 = Write protection for physical address 0x01FC43000 through 0x01FC43FFF disabled

bit 8 **BWP0:** Boot Alias Page 0 Write-protect bit⁽¹⁾

1 = Write protection for physical address 0x01FC44000 through 0x01FC44FFF enabled

0 = Write protection for physical address 0x01FC44000 through 0x01FC44FFF disabled

bit 7 **Reserved**

bit 6 **Reserved:** This bit is reserved for use by development tools

bit 5 **Unimplemented:** Read as '0'

bit 4-0 **Unimplemented:** Read as '0'

Note: The bits in this register are only writable when the NVMKEY unlock sequence is followed.

PIC32MK MCA Family

REGISTER 5-8: NVMCON2: FLASH PROGRAMMING CONTROL REGISTER 2

Bit Range	Bit 31/23/15/7	Bit 30/22/14/6	Bit 29/21/13/5	Bit 28/20/12/4	Bit 27/19/11/3	Bit 26/18/10/2	Bit 25/17/9/1	Bit 24/16/8/0
31:24	R/W-0	R/W-0	R/W-0	R/W-0	U-0	U-0	U-0	U-0
	ERSCNT<3:0>				—	—	—	—
23:16	U-0	U-0	U-0	r-1	r-1	r-1	r-1	r-1
	(Reserved, users must always write '1' to these locations)							
15:8	r-0	U-0	R/W-0	R/W-0	U-0	U-0	R/W-0	R/W-0
	—	—	CREAD1 ⁽¹⁾	VREAD1 ⁽¹⁾	—	—	ERETRY<1:0>	
7:0	U-0	U-0	U-0	U-0	U-0	U-0	U-0	U-0
	—	—	—	—	—	—	—	—

Legend: r = Reserved

R = Readable bit

W = Writable bit

U = Unimplemented bit, read as '0'

-n = Value at POR

'1' = Bit is set

'0' = Bit is cleared

x = Bit is unknown

bit 31-28 **ERSCNT<1:0>**: Erase Retry State Count bits

These bits can be used by software to track the erase retry state count in the event of a Master Clear or BOR. These bits are purely for software tracking purpose and are not used by hardware in any way.

bit 27-21 **Unimplemented**: Read as '0'

bit 20-16 **Reserved**: Users must always write '1' to these bits

bit 15-14 **Unimplemented**: Read as '0'

bit 13 **CREAD1**: Compare Read of Logic 1 bit⁽¹⁾

1 = Compare Read is enabled (only if VERIFYREAD1 = 1)

0 = Compare Read is disabled

Compare Read '1' causes all bits in a Flash Word to be evaluated during the read. If all bits are '1', the lowest Word in the Flash Word evaluates to 0x00000001, all other words are 0x00010000. If any bit is '0', the read evaluates to 0x00000000 for all Words in the Flash Word.

bit 12 **VREAD1**: Verify Read of Logic 1 Control bit⁽¹⁾

1 = Selects Erase Retry Procedure with Verify Read

0 = Selects Single Erase w/o Verify Read

bit 11-10 **Unimplemented**: Read as '0'

bit 9-8 **ERETRY<1:0>**: Erase Retry Control bits

11 = Erase strength for last retry cycle

10 = Erase strength for third retry cycle

01 = Erase strength for second retry cycle

00 = Erase strength for first retry cycle

The user application must start with '00' (first retry cycle) and move on to higher strength if the programming does not complete.

This bit is used only when VREAD1 = 1 and when VREAD1 = 1.

bit 7-0 **Unimplemented**: Read as '0'

Note 1: This bit can only be modified when the WREN bit = 0, and the NVMKEY unlock sequence is satisfied.

6.0 RESETS

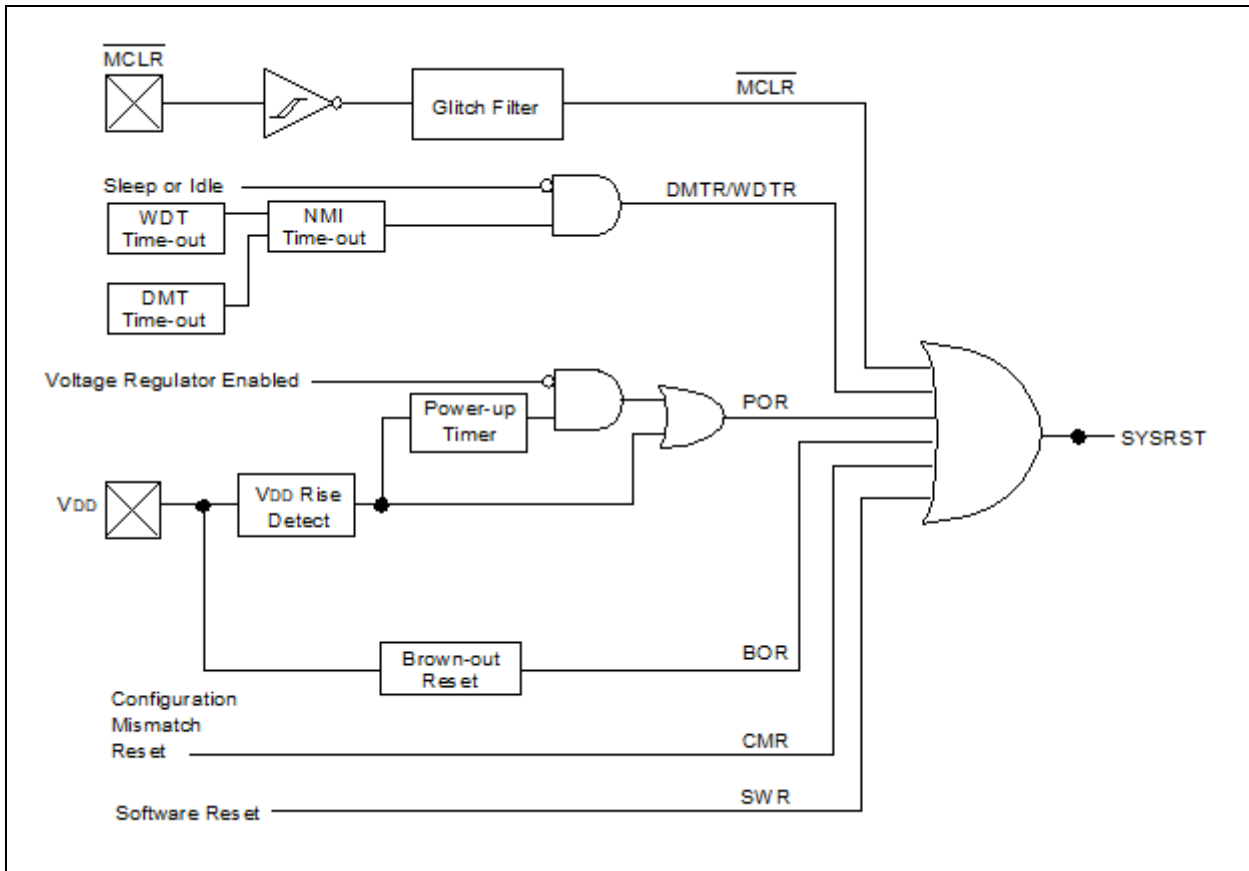
Note: This data sheet summarizes the features of the PIC32MK MCA Family of devices. It is not intended to be a comprehensive reference source. To complement the information in this data sheet, refer to **Section 7. “Resets”** (DS60001118), which is available from the *Documentation > Reference Manual* section of the Microchip PIC32 web site (www.microchip.com/pic32).

The Reset module combines all Reset sources and controls the device Main Reset signal, SYSRST. The device Reset sources are as follows:

- Power-on Reset (POR)
- Master Clear Reset pin ($\overline{\text{MCLR}}$)
- Software Reset (SWR)
- Watchdog Timer Reset (WDTR)
- Brown-out Reset (BOR)
- Configuration Mismatch Reset (CMR)
- Deadman Timer Reset (DMTR)

A simplified block diagram of the Reset module is illustrated in [Figure 6-1](#).

FIGURE 6-1: SYSTEM RESET BLOCK DIAGRAM



6.1 Reset Control Registers

TABLE 6-1: RESETS REGISTER MAP

Virtual Address (BF80_#)	Register Name	Bit Range	Bits															All Resets		
			31/15	30/14	29/13	28/12	27/11	26/10	25/9	24/8	23/7	22/6	21/5	20/4	19/3	18/2	17/1		16/0	
1240	RCON	31:16	—	—	—	—	BCFGERR	BCFGFAIL	—	—	—	—	—	—	—	—	—	—	—	C000
		15:0	—	—	—	—	—	—	CMR	—	EXTR	SWR	DMTO	WDTO	SLEEP	IDLE	BOR	POR	0003	
1250	RSWRST	31:16	—	—	—	—	—	—	—	—	—	—	—	—	—	—	—	—	0000	
		15:0	—	—	—	—	—	—	—	—	—	—	—	—	—	—	—	—	SWRST	0000
1260	RNMICON	31:16	—	—	—	—	—	—	DMTO	WDTO	SWNMI	—	—	—	GNMI	HLVD	CF	WDTS	0000	
		15:0	NMI<15:0>															0000		
1270	PWRCON	31:16	—	—	—	—	—	—	—	—	—	—	—	—	—	—	—	—	0000	
		15:0	—	—	—	—	—	—	—	—	VREGRUN<1:0>	VREGSLP<1:0>	—	—	—	—	—	—	VREGS	0000

Legend: x = unknown value on Reset; — = unimplemented, read as '0'. Reset values are shown in hexadecimal.

PIC32MK MCA Family

REGISTER 6-1: RCON: RESET CONTROL REGISTER

Bit Range	Bit 31/23/15/7	Bit 30/22/14/6	Bit 29/21/13/5	Bit 28/20/12/4	Bit 27/19/11/3	Bit 26/18/10/2	Bit 25/17/9/1	Bit 24/16/8/0
31:24	U-1, HS	U-1, HS	U-0	U-0	R/W-0, HC	R/W-0, HC	U-0	U-0
	—	—	—	—	BCFGERR	BCFGFAIL	—	—
23:16	U-0	U-0	U-0	U-0	U-0	U-0	U-1	U-x
	—	—	—	—	—	—	—	—
15:8	U-0	U-0	U-0	U-0	U-0	U-0	R/W-0, HS	U-0
	—	—	—	—	—	—	CMR	—
7:0	R/W-0, HS	R/W-0, HS	R/W-0, HS	R/W-0, HS	R/W-0, HS	R/W-0, HS	R/W-1, HS	R/W-1, HS
	EXTR	SWR	DMTO	WDTO	SLEEP	IDLE	BOR ⁽²⁾	POR ⁽²⁾

Legend:	HS = Hardware Set	HC = Hardware Cleared
R = Readable bit	W = Writable bit	U = Unimplemented bit, read as '0'
-n = Value at POR	'1' = Bit is set	'0' = Bit is cleared x = Bit is unknown

bit 31:30 **Reserved:** Read as '1' on power up.

bit 29-28 **Unimplemented:** Read as '0'

bit 27 **BCFGERR:** Primary Configuration Registers Error Flag bit

1 = An error occurred during a read of the primary configuration registers

0 = No error occurred during a read of the primary configuration registers

bit 26 **BCFGFAIL:** Primary/Secondary Configuration Registers Error Flag bit

1 = An error occurred during a read of the primary and alternate configuration registers

0 = No error occurred during a read of the primary and alternate configuration registers

bit 25-10 **Unimplemented:** Read as '0'

bit 9 **CMR:** Configuration Mismatch Reset Flag bit

1 = A Configuration Mismatch Reset has occurred

0 = A Configuration Mismatch Reset has not occurred

bit 8 **Unimplemented:** Read as '0'

bit 7 **EXTR:** External Reset ($\overline{\text{MCLR}}$) Pin Flag bit

1 = Master Clear (pin) Reset has occurred

0 = Master Clear (pin) Reset has not occurred

bit 6 **SWR:** Software Reset Flag bit

1 = Software Reset was executed

0 = Software Reset was not executed

bit 5 **DMTO:** Deadman Timer Time-out Flag bit

1 = A DMT time-out has occurred

0 = A DMT time-out has not occurred

bit 4 **WDTO:** Watchdog Timer Time-out Flag bit

1 = WDT Time-out has occurred

0 = WDT Time-out has not occurred

bit 3 **SLEEP:** Wake From Sleep Flag bit

1 = Device was in Sleep mode

0 = Device was not in Sleep mode

bit 2 **IDLE:** Wake From Idle Flag bit

1 = Device was in Idle mode

0 = Device was not in Idle mode

bit 1 **BOR:** Brown-out Reset Flag bit⁽¹⁾

1 = Brown-out Reset has occurred

0 = Brown-out Reset has not occurred

Note 1: User software must clear this bit to view the next detection.

PIC32MK MCA Family

REGISTER 6-1: RCON: RESET CONTROL REGISTER

bit 0 **POR:** Power-on Reset Flag bit⁽¹⁾
 1 = Power-on Reset has occurred
 0 = Power-on Reset has not occurred

Note 1: User software must clear this bit to view the next detection.

PIC32MK MCA Family

REGISTER 6-2: RSWRST: SOFTWARE RESET REGISTER

Bit Range	Bit 31/23/15/7	Bit 30/22/14/6	Bit 29/21/13/5	Bit 28/20/12/4	Bit 27/19/11/3	Bit 26/18/10/2	Bit 25/17/9/1	Bit 24/16/8/0
31:24	U-0	U-0	U-0	U-0	U-0	U-0	U-0	U-0
	—	—	—	—	—	—	—	—
23:16	U-0	U-0	U-0	U-0	U-0	U-0	U-0	U-0
	—	—	—	—	—	—	—	—
15:8	U-0	U-0	U-0	U-0	U-0	U-0	U-0	U-0
	—	—	—	—	—	—	—	—
7:0	U-0	U-0	U-0	U-0	U-0	U-0	U-0	W-0, HC
	—	—	—	—	—	—	—	SWRST ^(1,2)

Legend:	HC = Hardware Cleared
R = Readable bit	W = Writable bit U = Unimplemented bit, read as '0'
-n = Value at POR	'1' = Bit is set '0' = Bit is cleared x = Bit is unknown

bit 31-1 **Unimplemented:** Read as '0'

bit 0 **SWRST:** Software Reset Trigger bit^(1,2)
 1 = Enable software Reset event
 0 = No effect

- Note 1:** The system unlock sequence must be performed before the SWRST bit can be written. Refer to **Section 42. "Oscillators with Enhanced PLL"** (DS60001250) in the "PIC32 Family Reference Manual" for details.
- 2:** Once this bit is set, any read of the RSWRST register will cause a Reset to occur.

PIC32MK MCA Family

REGISTER 6-3: RNMICON: NON-MASKABLE INTERRUPT (NMI) CONTROL REGISTER

Bit Range	Bit 31/23/15/7	Bit 30/22/14/6	Bit 29/21/13/5	Bit 28/20/12/4	Bit 27/19/11/3	Bit 26/18/10/2	Bit 25/17/9/1	Bit 24/16/8/0
31:24	U-0	U-0	U-0	U-0	U-0	U-0	R/W-0	R/W-0
	—	—	—	—	—	—	DMTO	WDTO
23:16	R/W-0	U-0	U-0	U-0	R/W-0	R/W-0, HS	R/W-0, HS, HC	R/W-0
	SWNMI	—	—	—	GNMI	HLVD	CF	WDTS
15:8	R/W-0	R/W-0	R/W-0	R/W-0	R/W-0	R/W-0	R/W-0	R/W-0
	NMICNT<15:8>							
7:0	R/W-0	R/W-0	R/W-0	R/W-0	R/W-0	R/W-0	R/W-0	R/W-0
	NMICNT<7:0>							

Legend:	HC = Hardware Clear	HS = Hardware Set
R = Readable bit	W = Writable bit	U = Unimplemented bit, read as '0'
-n = Value at POR	'1' = Bit is set	'0' = Bit is cleared x = Bit is unknown

bit 31-26 **Unimplemented:** Read as '0'

bit 25 **DMTO:** Deadman Timer Time-out Flag bit
 1 = DMT time-out has occurred and caused a NMI
 0 = DMT time-out has not occurred

Setting this bit will cause a DMT NMI event, and NMICNT will begin counting. Clearing this bit before the NMICNT SYSCLK" cycle counter has expired will negate a normal DMT CPU reset.

bit 24 **WDTO:** Watchdog Timer Time-Out Flag bit
 1 = WDT time-out has occurred and caused a NMI (This starts the NMI Reset Counter)
 0 = WDT time-out has NOT occurred

Note: Setting this bit either by software or by hardware causes WDT NMI event interrupt and NMICNT start countdown to reset.

bit 23 **SWNMI:** Software NMI Trigger.
 1 = An NMI will be generated
 0 = An NMI will not be generated

bit 22-20 **Unimplemented:** Read as '0'

bit 19 **GNMI:** External or General NMI bit
 1 = A general NMI event has been detected or a user-initiated NMI event has occurred
 0 = A general NMI event has not been detected

Setting GNMI to a '1' causes a user-initiated NMI event. This bit is also set by writing 0x4E to the NMIKEY<7:0> (INTCON<31:24>) bits.

bit 18 **HLVD:** High/Low-Voltage Detect Status
 1 = Indicates HLVD Event interrupt is active.
 0 = Indicates HLVD Event interrupt is not active.

Note: User may write this bit to '1'. Does cause a user initiated HLVD NMI event.

- | |
|----------------------------------------------------------------------------------------------------------------------------------------------------------------------------------------------------------------------------------------------------------------------------------------------------------------------------------------------------------------------------------------------------------------------------------------------------------------------------------------------------------------------------------------------------------------------------------------------------------------------------------------------------------------------------------------------------------|
| <p>Note 1: The system unlock sequence must be done before the RNMICON register can be written.</p> <p>2: The RNMICON register is reset, (i.e. cleared), when the NMI Reset Counter, NMICNT, expires and a system reset is asserted.</p> <p>3: When a Watchdog Timer NMI event (when not in Sleep mode) or a Deadman Timer NMI event is triggered the NMICNT will start decrementing every SYSCLK. When NMICNT reaches zero, the device is Reset if the corresponding WDT or DMT flag is not cleared in SW. This NMI reset counter is only applicable to these two specific NMI events. The NMICNT cannot be updated or changed once in the NMI interrupt service routine by SW.</p> |
|----------------------------------------------------------------------------------------------------------------------------------------------------------------------------------------------------------------------------------------------------------------------------------------------------------------------------------------------------------------------------------------------------------------------------------------------------------------------------------------------------------------------------------------------------------------------------------------------------------------------------------------------------------------------------------------------------------|

REGISTER 6-3: RNMICON: NON-MASKABLE INTERRUPT (NMI) CONTROL REGISTER

bit 17 **CF:** Clock Fail Detect bit

1 = FSCM has detected clock failure and caused an NMI

0 = FSCM has not detected clock failure

Note: On a clock fail event if enabled by the FCKSM<1:0> bits (DEVCFG1<15:14>) = '0b11, this bit and the OSCCON<CF> bit will be set. The user software must clear both the bits inside the CF NMI before attempting to exit the ISR. Software or hardware settings of the CF bit (OSCCON<3>) will cause a CF NMI event and an automatic clock switch to the Backup FRC (BFRC) provided the FCKSM<1:0> = '0b11. Unlike the CF bit (OSCCON<3>), software or hardware settings of the CF bit (RNMICON<17>) will cause a CF NMI event but will not cause a clock switch to the BFRC. After a Clock Fail event, a successful user software clock switch if implemented, hardware will automatically clear the CF bit (RNMICON<17>), but not the CF bit (OSCCON<3>). The CF bit (OSCCON<3>) must be cleared by software using the OSCCON register unlock procedure.

bit 16 **WDTS:** Watchdog Timer Time-out in Sleep Mode Flag bit

1 = WDT time-out has occurred during Sleep mode and caused a wake-up from sleep

0 = WDT time-out has not occurred during Sleep mode

Note: Setting this bit will cause a WDT NMI interrupt.

bit 15-0 **NMICNT<15:0>:** NMI Reset Counter Value bits

These bits specify the reload value used by the NMI reset counter.

11111111-00000001 = Number of SYSCLK cycles before a device Reset occurs^(1,2,3)

00000000 = No delay between NMI assertion and device Reset event

Note 1: The system unlock sequence must be done before the RNMICON register can be written.

2: The RNMICON register is reset, (i.e. cleared), when the NMI Reset Counter, NMICNT, expires and a system reset is asserted.

3: When a Watchdog Timer NMI event (when not in Sleep mode) or a Deadman Timer NMI event is triggered the NMICNT will start decrementing every SYSCLK. When NMICNT reaches zero, the device is Reset if the corresponding WDT or DMT flag is not cleared in SW. This NMI reset counter is only applicable to these two specific NMI events. The NMICNT cannot be updated or changed once in the NMI interrupt service routine by SW.

PIC32MK MCA Family

REGISTER 6-4: PWRCON: POWER CONTROL REGISTER

Bit Range	Bit 31/23/15/7	Bit 30/22/14/6	Bit 29/21/13/5	Bit 28/20/12/4	Bit 27/19/11/3	Bit 26/18/10/2	Bit 25/17/9/1	Bit 24/16/8/0
31:24	U-0	U-0	U-0	U-0	U-0	U-0	U-0	U-0
	—	—	—	—	—	—	—	—
23:16	U-0	U-0	U-0	U-0	U-0	U-0	U-0	U-0
	—	—	—	—	—	—	—	—
15:8	U-0	U-0	U-0	U-0	U-0	U-0	U-0	U-0
	—	—	—	—	—	—	—	—
7:0	U-0	U-0	U-0	U-0	U-0	U-0	U-0	R/W-0
	—	—	—	—	—	—	—	VREGS

Legend:

R = Readable bit W = Writable bit U = Unimplemented bit, read as '0'
 -n = Value at POR '1' = Bit is set '0' = Bit is cleared x = Bit is unknown

bit 31-1 **Unimplemented:** Read as '0'

bit 0 **VREGS:** Internal Voltage Regulator Stand-by Enable bit
 1 = Voltage regulator will remain active during Sleep
 0 = Voltage regulator will go to Stand-by mode during Sleep

7.0 CPU EXCEPTIONS AND INTERRUPT CONTROLLER

Note: This data sheet summarizes the features of the PIC32MK MCA Family of devices. It is not intended to be a comprehensive reference source. To complement the information in this data sheet, refer to **Section 8. “Interrupt Controller”** (DS60001108) and **Section 50. “CPU for Devices with MIPS32® microAptiv™ and M-Class Cores”** (DS60001192), which is available from the *Documentation > Reference Manual* section of the Microchip PIC32 web site (www.microchip.com/pic32).

PIC32MK MCA Family of devices generate interrupt requests in response to interrupt events from peripheral modules. The Interrupt Controller module exists outside of the CPU and prioritizes the interrupt events before presenting them to the CPU.

The CPU handles interrupt events as part of the exception handling mechanism, which is described in [7.1 “CPU Exceptions”](#).

The Interrupt Controller module includes the following features:

- Up to 216 interrupt sources and vectors with dedicated programmable offsets, eliminating the need for redirection
- Single and multi-vector mode operations
- Five external interrupts with edge polarity control
- Interrupt proximity timer
- Seven user-selectable priority levels for each vector
- Four user-selectable subpriority levels within each priority
- Seven shadow register sets that can be used for any priority level, eliminating software context switch and reducing interrupt latency
- Software can generate any interrupt

[Table 7-1](#) provides Interrupt Service routine (ISR) latency information.

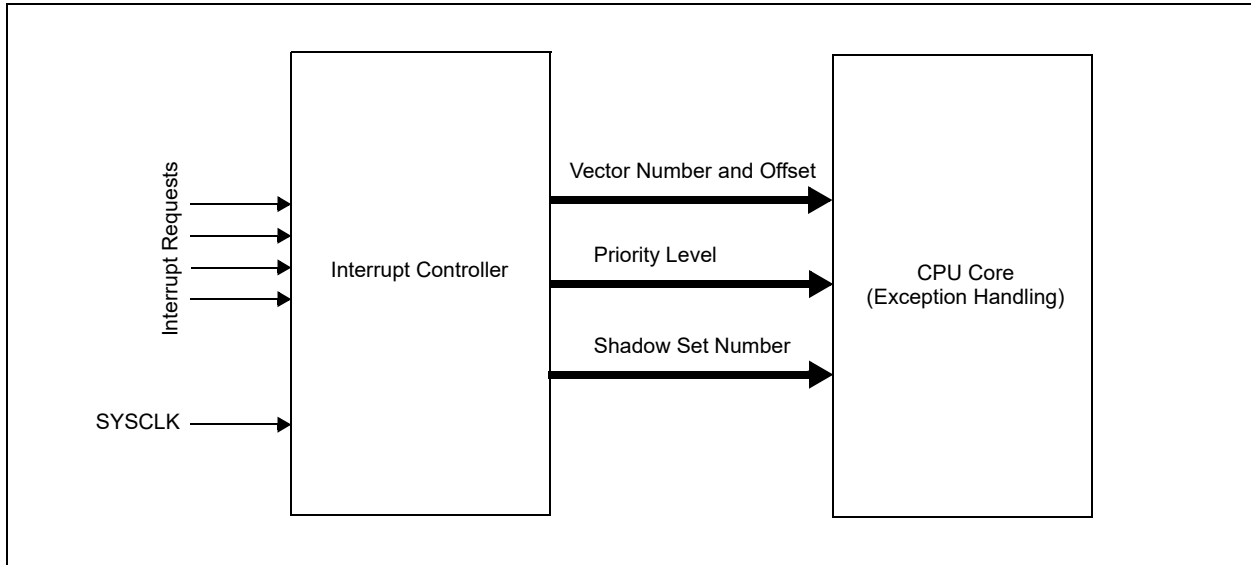
TABLE 7-1: ISR LATENCY INFORMATION

Condition	Optimal Performance Configuration						Recommended Settings for Optimal Interrupt Performance	Comment
	CP0 REGISTER 16, SELECT 0 <K0>	PERCHEEN bit (CHECON<26>)	DCHEEN bit (CHECON<25>)	ICHEEN bit (CHECON<24>)	PREFEN<1:0> bits (CHECON<5:4>)	PFMWS <2:0> bits CHECON<2:0>	User source file ISR declaration/invocation. Note: The user is responsible for the ISR declaration for the fastest ISR latency response.	Interrupt Latency (SYSCLK Cycles) (Time from interrupt event to first user source code instruction execution inside ISR).
Reset Values	0'b010	0'b1	0'b1	0'b1	0'b00	0'b111	<pre>void __ISR(<Vector Number n>, ipl7auto)ISR(void) { // "n" = Vector Number, see data sheet // User ISR code }</pre>	257 Instr Cycles
Recommended user optimized CPU and ISR Latency Settings (see Note 2)	0'b011	0'b1	0'b1	0'b1	0'b01	0'b010	(Refer to note 3) <pre>void __attribute__((interrupt(iplXsrs), at_vector(n), aligned(16))) isr () { // "n"=Vector Number, see data sheet // "X"=IPL 1-7 // User ISR code }</pre>	30 + (7 – IPL) (Instr Cycles per interrupt ⁽³⁾)

- Note 1:** The CPU ISR latency can cause unexpected behavior in high data rate peripherals when a high repetitive rate of CPU interrupts. For example, it is possible that if multiple interrupt sources occur simultaneously, or if a high-speed peripheral like ADC occurs faster than the CPU can read the results from the first original interrupt, then that data may be overwritten by the second interrupt. If the possibility exists in the user application that the CPU servicing requirements are less than the combined sum of all possible overlapping interrupt rate specified above, then to avoid buffer overflows or data overwrites it is recommended to use the DMA to service the data and buffer instead of the CPU.
- 2:** For the best optimized CPU and ISR performance, to complete the optimization, the user application should define ISRs that use the “at vector” attribute as shown in [Table 7-1](#) In addition, if the ADC combined sum throughput rate of all the ADC modules in use is greater than $(SYSCLK/43) = 2.8$ Msps, it is recommended to use the ADC CPU early interrupt generation defined in the ADCxTIME and ADCEIENx registers. This will reduce the probability of the ADC results being overwritten by the next conversion before the CPU can read the previous ADC result if not using the DMA for ADC. Do not use the early interrupts if using the ADC in DMA mode.
- 3:** For optimal interrupt performance, (i.e. latency), the user should assign a unique shadow register set for each interrupt priority level by setting $PRISS<PRIXSS> = IPL$.

Figure 7-1 shows the block diagram for the Interrupt Controller and CPU exceptions.

FIGURE 7-1: CPU EXCEPTIONS AND INTERRUPT CONTROLLER MODULE BLOCK DIAGRAM



7.1 CPU Exceptions

CPU coprocessor 0 contains the logic for identifying and managing exceptions. Exceptions can be caused by a variety of sources, including boundary cases in data, external events or program errors. [Table 7-2](#) lists the exception types in order of priority.

TABLE 7-2: MIPS32® microAptiv™ MCU CORE EXCEPTION TYPES

Exception Type (In Order of Priority)	Description	Branches to	Status Bits Set	Debug Bits Set	EXCCODE	XC32 Function Name
Highest Priority						
Reset	Assertion $\overline{\text{MCLR}}$ or a Power-on Reset (POR).	0xBFC0_0000	BEV, ERL	—	—	<code>_on_reset</code>
Soft Reset	Assertion of a software Reset.	0xBFC0_0000	BEV, SR, ERL	—	—	<code>_on_reset</code>
DSS	EJTAG debug single step.	0xBFC0_0480	—	DSS	—	—
DINT	EJTAG debug interrupt. Caused by the assertion of the external EJ_DINT input or by setting the EhtagBrk bit in the ECR register.	0xBFC0_0480	—	DINT	—	—
NMI	Assertion of NMI signal.	0xBFC0_0000	BEV, NMI, ERL	—	—	<code>_nmi_handler</code>
Interrupt	Assertion of unmasked hardware or software interrupt signal.	See Table 7-3 .	IPL<2:0>	—	0x00	See Table 7-3 .
Deferred Watch	Deferred watch (unmasked by $\text{K DM} \Rightarrow !(\text{K DM})$ transition).	EBASE+0x180	WP, EXL	—	0x17	<code>_general_exception_handler</code>
DIB	EJTAG debug hardware instruction break matched.	0xBFC0_0480	—	DIB	—	—
WATCH	A reference to an address that is in one of the Watch registers (fetch).	EBASE+0x180	EXL	—	0x17	<code>_general_exception_handler</code>
AdEL	Fetch address alignment error. Fetch reference to protected address.	EBASE+0x180	EXL	—	0x04	<code>_general_exception_handler</code>
IBE	Instruction fetch bus error.	EBASE+0x180	EXL	—	0x06	<code>_general_exception_handler</code>
Instruction Validity Exceptions	An instruction could not be completed because it was not allowed to access the required resources (Coprocessor Unusable) or was illegal (Reserved Instruction). If both exceptions occur on the same instruction, the Coprocessor Unusable Exception takes priority over the Reserved Instruction Exception.	EBASE+0x180	EXL	—	0x0A or 0x0B	<code>_general_exception_handler</code>

TABLE 7-2: MIPS32® microAptiv™ MCU CORE EXCEPTION TYPES (CONTINUED)

Exception Type (In Order of Priority)	Description	Branches to	Status Bits Set	Debug Bits Set	EXCCODE	XC32 Function Name
Execute Exception	An instruction-based exception occurred: Integer overflow, trap, system call, breakpoint, floating point, or DSP ASE state disabled exception.	EBASE+0x180	EXL	—	0x08-0x0C	_general_exception_handler
Tr	Execution of a trap (when trap condition is true).	EBASE+0x180	EXL	—	0x0D	_general_exception_handler
DDBL/DDBS	EJTAG Data Address Break (address only) or EJTAG data value break on store (address + value).	0xBFC0_0480	—	DDBL or DDBS	—	—
WATCH	A reference to an address that is in one of the Watch registers (data).	EBASE+0x180	EXL	—	0x17	_general_exception_handler
AdEL	Load address alignment error. User mode load reference to kernel address.	EBASE+0x180	EXL	—	0x04	_general_exception_handler
AdES	Store address alignment error. User mode store to kernel address.	EBASE+0x180	EXL	—	0x05	_general_exception_handler
DBE	Load or store bus error.	EBASE+0x180	EXL	—	0x07	_general_exception_handler
DDBL	EJTAG data hardware breakpoint matched in load data compare.	0xBFC0_0480	—	DDBL	—	—
CBrk	EJTAG complex breakpoint.	0xBFC0_0480	—	DIBIMPR, DDBLIMPR, and/or DDBSIMPR	—	—
Lowest Priority						

PIC32MK MCA Family

7.2 Interrupts

The PIC32MK MCA Family of devices uses variable offsets for vector spacing. This allows the interrupt vector spacing to be configured according to application needs. A unique interrupt vector offset can be set for each vector using its associated OFFx register.

For additional information on the variable offset features, refer to **8.5.2 “Variable Offset”** in **Section 8. “Interrupt Controller”** (DS60001108) of the *“PIC32 Family Reference Manual”*.

[Table 7-3](#) provides the Interrupt IRQ, vector and bit location information.

TABLE 7-3: INTERRUPT IRQ, VECTOR AND BIT LOCATION

Interrupt Source ⁽¹⁾	XC32 Vector Name	IRQ #	Vector #	Interrupt Bit Location				Persistent Interrupt
				Flag	Enable	Priority	Sub-priority	
Highest Natural Order Priority								
Core Timer Interrupt	_CORE_TIMER_VECTOR	0	OFF000<17:1>	IFS0<0>	IEC0<0>	IPC0<4:2>	IPC0<1:0>	No
Core Software Interrupt 0	_CORE_SOFTWARE_0_VECTOR	1	OFF001<17:1>	IFS0<1>	IEC0<1>	IPC0<12:10>	IPC0<9:8>	No
Core Software Interrupt 1	_CORE_SOFTWARE_1_VECTOR	2	OFF002<17:1>	IFS0<2>	IEC0<2>	IPC0<20:18>	IPC0<17:16>	No
External Interrupt 0	_EXTERNAL_0_VECTOR	3	OFF003<17:1>	IFS0<3>	IEC0<3>	IPC0<28:26>	IPC0<25:24>	No
Timer1	_TIMER_1_VECTOR	4	OFF004<17:1>	IFS0<4>	IEC0<4>	IPC1<4:2>	IPC1<1:0>	No
Input Capture 1 Error	_INPUT_CAPTURE_1_ERROR_VECTOR	5	OFF005<17:1>	IFS0<5>	IEC0<5>	IPC1<12:10>	IPC1<9:8>	Yes
Input Capture 1	_INPUT_CAPTURE_1_VECTOR	6	OFF006<17:1>	IFS0<6>	IEC0<6>	IPC1<20:18>	IPC1<17:16>	Yes
Output Compare 1	_OUTPUT_COMPARE_1_VECTOR	7	OFF007<17:1>	IFS0<7>	IEC0<7>	IPC1<28:26>	IPC1<25:24>	No
External Interrupt 1	_EXTERNAL_1_VECTOR	8	OFF008<17:1>	IFS0<8>	IEC0<8>	IPC2<4:2>	IPC2<1:0>	No
Timer2	_TIMER_2_VECTOR	9	OFF009<17:1>	IFS0<9>	IEC0<9>	IPC2<12:10>	IPC2<9:8>	No
Input Capture 2 Error	_INPUT_CAPTURE_2_ERROR_VECTOR	10	OFF010<17:1>	IFS0<10>	IEC0<10>	IPC2<20:18>	IPC2<17:16>	Yes
Input Capture 2	_INPUT_CAPTURE_2_VECTOR	11	OFF011<17:1>	IFS0<11>	IEC0<11>	IPC2<28:26>	IPC2<25:24>	Yes
Output Compare 2	_OUTPUT_COMPARE_2_VECTOR	12	OFF012<17:1>	IFS0<12>	IEC0<12>	IPC3<4:2>	IPC3<1:0>	No
External Interrupt 2	_EXTERNAL_2_VECTOR	13	OFF013<17:1>	IFS0<13>	IEC0<13>	IPC3<12:10>	IPC3<9:8>	No
Timer3	_TIMER_3_VECTOR	14	OFF014<17:1>	IFS0<14>	IEC0<14>	IPC3<20:18>	IPC3<17:16>	No
Input Capture 3 Error	_INPUT_CAPTURE_3_ERROR_VECTOR	15	OFF015<17:1>	IFS0<15>	IEC0<15>	IPC3<28:26>	IPC3<25:24>	Yes
Input Capture 3	_INPUT_CAPTURE_3_VECTOR	16	OFF016<17:1>	IFS0<16>	IEC0<16>	IPC4<4:2>	IPC4<1:0>	Yes
Output Compare 3	_OUTPUT_COMPARE_3_VECTOR	17	OFF017<17:1>	IFS0<17>	IEC0<17>	IPC4<12:10>	IPC4<9:8>	No
External Interrupt 3	_EXTERNAL_3_VECTOR	18	OFF018<17:1>	IFS0<18>	IEC0<18>	IPC4<20:18>	IPC4<17:16>	No
Timer4	_TIMER_4_VECTOR	19	OFF019<17:1>	IFS0<19>	IEC0<19>	IPC4<28:26>	IPC4<25:24>	No
Input Capture 4 Error	_INPUT_CAPTURE_4_ERROR_VECTOR	20	OFF020<17:1>	IFS0<20>	IEC0<20>	IPC5<4:2>	IPC5<1:0>	Yes
Input Capture 4	_INPUT_CAPTURE_4_VECTOR	21	OFF021<17:1>	IFS0<21>	IEC0<21>	IPC5<12:10>	IPC5<9:8>	Yes
Output Compare 4	_OUTPUT_COMPARE_4_VECTOR	22	OFF022<17:1>	IFS0<22>	IEC0<22>	IPC5<20:18>	IPC5<17:16>	No
External Interrupt 4	_EXTERNAL_4_VECTOR	23	OFF023<17:1>	IFS0<23>	IEC0<23>	IPC5<28:26>	IPC5<25:24>	No
Timer5	_TIMER_5_VECTOR	24	OFF024<17:1>	IFS0<24>	IEC0<24>	IPC6<4:2>	IPC6<1:0>	No
Reserved	—	25	—	—	—	—	—	—
Reserved	—	26	—	—	—	—	—	—
Reserved	—	27	—	—	—	—	—	—
Reserved	—	28	—	—	—	—	—	—

Note 1: Not all interrupt sources are available on all devices. See **TABLE 1: “PIC32MK MCA Family Features”** for the list of available peripherals.

2: This interrupt source is not available on 32-pin devices.

3: This interrupt source is not available on 28-pin devices.

TABLE 7-3: INTERRUPT IRQ, VECTOR AND BIT LOCATION (CONTINUED)

Interrupt Source ⁽¹⁾	XC32 Vector Name	IRQ #	Vector #	Interrupt Bit Location				Persistent Interrupt
				Flag	Enable	Priority	Sub-priority	
Reserved	—	29	—	—	—	—	—	—
Real Time Clock	_RTCC_VECTOR	30	OFF030<17:1>	IFS0<30>	IEC0<30>	IPC7<20:18>	IPC7<17:16>	Yes
Flash Control Event	_FLASH_CONTROL_VECTOR	31	OFF031<17:1>	IFS0<31>	IEC0<31>	IPC7<28:26>	IPC7<25:24>	No
Comparator 1 Interrupt	_COMPARATOR_1_VECTOR	32	OFF032<17:1>	IFS1<0>	IEC1<0>	IPC8<4:2>	IPC8<1:0>	No
Comparator 2 Interrupt	_COMPARATOR_2_VECTOR	33	OFF033<17:1>	IFS1<1>	IEC1<1>	IPC8<12:10>	IPC8<9:8>	No
Reserved	—	34	—	—	—	—	—	—
SPI1 Fault	_SPI1_FAULT_VECTOR	35	OFF035<17:1>	IFS1<3>	IEC1<3>	IPC8<28:26>	IPC8<25:24>	Yes
SPI1 Receive Done	_SPI1_RX_VECTOR	36	OFF036<17:1>	IFS1<4>	IEC1<4>	IPC9<4:2>	IPC9<1:0>	Yes
SPI1 Transfer Done	_SPI1_TX_VECTOR	37	OFF037<17:1>	IFS1<5>	IEC1<5>	IPC9<12:10>	IPC9<9:8>	Yes
UART1 Fault	_UART1_FAULT_VECTOR	38	OFF038<17:1>	IFS1<6>	IEC1<6>	IPC9<20:18>	IPC9<17:16>	Yes
UART1 Receive Done	_UART1_RX_VECTOR	39	OFF039<17:1>	IFS1<7>	IEC1<7>	IPC9<28:26>	IPC9<25:24>	Yes
UART1 Transfer Done	_UART1_TX_VECTOR	40	OFF040<17:1>	IFS1<8>	IEC1<8>	IPC10<4:2>	IPC10<1:0>	Yes
I2C1 Bus Collision Event	_I2C1_BUS_VECTOR	41	OFF041<17:1>	IFS1<9>	IEC1<9>	IPC9<12:10>	IPC9<9:8>	Yes
I2C1 Client Event	_I2C1_SLAVE_VECTOR	42	OFF042<17:1>	IFS1<10>	IEC1<10>	IPC9<20:18>	IPC9<17:16>	Yes
I2C1 Host Event	_I2C1_MASTER_VECTOR	43	OFF043<17:1>	IFS1<11>	IEC1<11>	IPC10<28:26>	IPC10<25:24>	No
PORTA Input Change Interrupt	_CHANGE_NOTICE_A_VECTOR	44	OFF044<17:1>	IFS1<12>	IEC1<12>	IPC11<4:2>	IPC11<1:0>	Yes
PORTB Input Change Interrupt	_CHANGE_NOTICE_B_VECTOR	45	OFF045<17:1>	IFS1<13>	IEC1<13>	IPC11<12:10>	IPC11<9:8>	Yes
PORTC Input Change Interrupt	_CHANGE_NOTICE_C_VECTOR	46	OFF046<17:1>	IFS1<14>	IEC1<14>	IPC11<20:18>	IPC11<17:16>	Yes
PORTD Input Change Interrupt	_CHANGE_NOTICE_D_VECTOR	47	OFF047<17:1>	IFS1<15>	IEC1<15>	IPC11<28:26>	IPC11<25:24>	Yes
Reserved	—	48	—	—	—	—	—	—
Reserved	—	49	—	—	—	—	—	—
Reserved	—	50	—	—	—	—	—	—
Reserved	—	51	—	—	—	—	—	—
Reserved	—	52	—	—	—	—	—	—

Note 1: Not all interrupt sources are available on all devices. See TABLE 1: “PIC32MK MCA Family Features” for the list of available peripherals.

Note 2: This interrupt source is not available on 32-pin devices.

Note 3: This interrupt source is not available on 28-pin devices.

TABLE 7-3: INTERRUPT IRQ, VECTOR AND BIT LOCATION (CONTINUED)

Interrupt Source ⁽¹⁾	XC32 Vector Name	IRQ #	Vector #	Interrupt Bit Location				Persistent Interrupt
				Flag	Enable	Priority	Sub-priority	
SPI2 Fault	_SPI2_FAULT_VECTOR	53	OFF053<17:1>	IFS1<21>	IEC1<21>	IPC13<12:10>	IPC13<9:8>	Yes
SPI2 Receive Done	_SPI2_RX_VECTOR	54	OFF054<17:1>	IFS1<22>	IEC1<22>	IPC13<20:18>	IPC13<17:16>	Yes
SPI2 Transfer Done	_SPI2_TX_VECTOR	55	OFF055<17:1>	IFS1<23>	IEC1<23>	IPC13<28:26>	IPC13<25:24>	Yes
UART2 Fault	_UART2_FAULT_VECTOR	56	OFF056<17:1>	IFS1<24>	IEC1<24>	IPC14<4:2>	IPC14<1:0>	Yes
UART2 Receive Done	_UART2_RX_VECTOR	57	OFF057<17:1>	IFS1<25>	IEC1<25>	IPC14<12:10>	IPC14<9:8>	Yes
UART2 Transfer Done	_UART2_TX_VECTOR	58	OFF058<17:1>	IFS1<26>	IEC1<26>	IPC14<20:18>	IPC14<17:16>	Yes
I2C2 Bus Collision Event	_I2C2_BUS_VECTOR	59	OFF059<17:1>	IFS1<27>	IEC1<27>	IPC14<28:26>	IPC14<25:24>	Yes
I2C2 Client Event	_I2C2_SLAVE_VECTOR	60	OFF060<17:1>	IFS1<28>	IEC1<28>	IPC15<4:2>	IPC15<1:0>	Yes
I2C2 Host Event	_I2C2_MASTER_VECTOR	61	OFF061<17:1>	IFS1<29>	IEC1<29>	IPC15<12:10>	IPC15<9:8>	Yes
Reserved	—	62	—	—	—	—	—	—
Reserved	—	63	—	—	—	—	—	—
Reserved	—	64	—	—	—	—	—	—
Reserved	—	65	—	—	—	—	—	—
Reserved	—	66	—	—	—	—	—	—
Reserved	—	67	—	—	—	—	—	—
Reserved	—	68	—	—	—	—	—	—
Reserved	—	69	—	—	—	—	—	—
Reserved	—	70	—	—	—	—	—	—
CTMU Interrupt	_CTMU_VECTOR	71	OFF071<17:1>	IFS2<7>	IEC2<7>	IPC17<28:26>	IPC17<25:24>	Yes
DMA Channel 0	_DMA0_VECTOR	72	OFF072<17:1>	IFS2<8>	IEC2<8>	IPC18<4:2>	IPC18<1:0>	Yes
DMA Channel 1	_DMA1_VECTOR	73	OFF073<17:1>	IFS2<9>	IEC2<9>	IPC18<12:10>	IPC18<9:8>	Yes
DMA Channel 2	_DMA2_VECTOR	74	OFF074<17:1>	IFS2<10>	IEC2<10>	IPC18<20:18>	IPC18<17:16>	Yes
DMA Channel 3	_DMA3_VECTOR	75	OFF075<17:1>	IFS2<11>	IEC2<11>	IPC18<28:26>	IPC18<25:24>	Yes
Reserved	—	76	—	—	—	—	—	—
Reserved	—	77	—	—	—	—	—	—
Reserved	—	78	—	—	—	—	—	—
Reserved	—	79	—	—	—	—	—	—
Reserved	—	80	—	—	—	—	—	—
Reserved	—	81	—	—	—	—	—	—
Reserved	—	82	—	—	—	—	—	—
Reserved	—	83	—	—	—	—	—	—

Note 1: Not all interrupt sources are available on all devices. See **TABLE 1: “PIC32MK MCA Family Features”** for the list of available peripherals.

Note 2: This interrupt source is not available on 32-pin devices.

Note 3: This interrupt source is not available on 28-pin devices.

TABLE 7-3: INTERRUPT IRQ, VECTOR AND BIT LOCATION (CONTINUED)

Interrupt Source ⁽¹⁾	XC32 Vector Name	IRQ #	Vector #	Interrupt Bit Location				Persistent Interrupt
				Flag	Enable	Priority	Sub-priority	
Reserved	—	84	—	—	—	—	—	—
Reserved	—	85	—	—	—	—	—	—
Reserved	—	86	—	—	—	—	—	—
Reserved	—	87	—	—	—	—	—	—
Reserved	—	88	—	—	—	—	—	—
Reserved	—	89	—	—	—	—	—	—
Reserved	—	90	—	—	—	—	—	—
Reserved	—	91	—	—	—	—	—	—
ADC Global Interrupt	_ADC_VECTOR	92	OFF092<17:1>	IFS2<28>	IEC2<28>	IPC23<4:2>	IPC23<1:0>	Yes
Reserved	—	93	—	—	—	—	—	—
ADC Digital Comparator 1	_ADC_DC1_VECTOR	94	OFF094<17:1>	IFS2<30>	IEC2<30>	IPC23<20:18>	IPC23<17:16>	Yes
ADC Digital Comparator 2	_ADC_DC2_VECTOR	95	OFF095<17:1>	IFS2<31>	IEC2<31>	IPC23<28:26>	IPC23<25:24>	Yes
ADC Digital Filter 1	_ADC_DF1_VECTOR	96	OFF096<17:1>	IFS3<0>	IEC3<0>	IPC24<4:2>	IPC24<1:0>	Yes
ADC Digital Filter 2	_ADC_DF2_VECTOR	97	OFF097<17:1>	IFS3<1>	IEC3<1>	IPC24<12:10>	IPC24<9:8>	Yes
Reserved	—	98	—	—	—	—	—	—
Reserved	—	99	—	—	—	—	—	—
ADC Fault	_ADC_FAULT_VECTOR	100	OFF100<17:1>	IFS3<4>	IEC3<4>	IPC25<4:2>	IPC25<1:0>	Yes
ADC End of Scan	_ADC_EOS_VECTOR	101	OFF101<17:1>	IFS3<5>	IEC3<5>	IPC25<12:10>	IPC25<9:8>	Yes
ADC Ready	_ADC_ARDY_VECTOR	102	OFF102<17:1>	IFS3<6>	IEC3<6>	IPC25<20:18>	IPC25<17:16>	Yes
ADC Update Ready After Suspend	_ADC_URDY_VECTOR	103	OFF103<17:1>	IFS3<7>	IEC3<7>	IPC25<28:26>	IPC25<25:24>	Yes
ADC First Class Channels DMA	_ADC_DMA_VECTOR	104	OFF104<17:1>	IFS3<8>	IEC3<8>	IPC26<4:2>	IPC26<1:0>	No
ADC Early Group Interrupt	_ADC_EARLY_VECTOR	105	OFF105<17:1>	IFS3<9>	IEC3<9>	IPC26<12:10>	IPC26<9:8>	Yes
ADC Data 0	_ADC_DATA0_VECTOR	106	OFF106<17:1>	IFS3<10>	IEC3<10>	IPC26<20:18>	IPC26<17:16>	Yes
ADC Data 1	_ADC_DATA1_VECTOR	107	OFF107<17:1>	IFS3<11>	IEC3<11>	IPC26<28:26>	IPC26<25:24>	Yes
ADC Data 2	_ADC_DATA2_VECTOR	108	OFF108<17:1>	IFS3<12>	IEC3<12>	IPC26<4:2>	IPC27<1:0>	Yes
ADC Data 3	_ADC_DATA3_VECTOR	109	OFF109<17:1>	IFS3<13>	IEC3<13>	IPC27<12:10>	IPC27<9:8>	Yes
ADC Data 4	_ADC_DATA4_VECTOR	110	OFF110<17:1>	IFS3<14>	IEC3<14>	IPC27<20:18>	IPC27<17:16>	Yes
ADC Data 5	_ADC_DATA5_VECTOR	111	OFF111<17:1>	IFS3<15>	IEC3<15>	IPC27<28:26>	IPC27<25:24>	Yes
ADC Data 6 ^(2,3)	_ADC_DATA6_VECTOR	112	OFF112<17:1>	IFS3<16>	IEC3<16>	IPC28<4:2>	IPC28<1:0>	Yes
ADC Data 7 ^(2,3)	_ADC_DATA7_VECTOR	113	OFF113<17:1>	IFS3<17>	IEC3<17>	IPC28<12:10>	IPC28<9:8>	Yes
ADC Data 8 ^(2,3)	_ADC_DATA8_VECTOR	114	OFF114<17:1>	IFS3<18>	IEC3<18>	IPC28<20:18>	IPC28<17:16>	Yes

Note 1: Not all interrupt sources are available on all devices. See **TABLE 1: “PIC32MK MCA Family Features”** for the list of available peripherals.

2: This interrupt source is not available on 32-pin devices.

3: This interrupt source is not available on 28-pin devices.

TABLE 7-3: INTERRUPT IRQ, VECTOR AND BIT LOCATION (CONTINUED)

Interrupt Source ⁽¹⁾	XC32 Vector Name	IRQ #	Vector #	Interrupt Bit Location				Persistent Interrupt
				Flag	Enable	Priority	Sub-priority	
ADC Data 9 ⁽³⁾	_ADC_DATA9_VECTOR	115	OFF115<17:1>	IFS3<19>	IEC3<19>	IPC28<28:26>	IPC28<25:24>	Yes
ADC Data 10 ^(2,3)	_ADC_DATA10_VECTOR	116	OFF116<17:1>	IFS3<20>	IEC3<20>	IPC29<4:2>	IPC29<1:0>	Yes
ADC Data 11 ^(2,3)	_ADC_DATA11_VECTOR	117	OFF117<17:1>	IFS3<21>	IEC3<21>	IPC29<12:10>	IPC29<9:8>	Yes
ADC Data 12 ⁽³⁾	_ADC_DATA12_VECTOR	118	OFF118<17:1>	IFS3<22>	IEC3<22>	IPC29<20:18>	IPC29<17:16>	Yes
ADC Data 13 ⁽²⁾	_ADC_DATA13_VECTOR	119	OFF119<17:1>	IFS3<23>	IEC3<23>	IPC29<28:26>	IPC29<25:24>	Yes
ADC Data 14 ^(2,3)	_ADC_DATA14_VECTOR	120	OFF120<17:1>	IFS3<24>	IEC3<24>	IPC30<4:2>	IPC30<1:0>	Yes
ADC Data 15	_ADC_DATA15_VECTOR	121	OFF121<17:1>	IFS3<25>	IEC3<25>	IPC30<12:10>	IPC30<9:8>	Yes
ADC Data 16	_ADC_DATA16_VECTOR	122	OFF122<17:1>	IFS3<26>	IEC3<26>	IPC30<20:18>	IPC30<17:16>	Yes
ADC Data 17	_ADC_DATA17_VECTOR	123	OFF123<17:1>	IFS3<27>	IEC3<27>	IPC30<28:26>	IPC30<25:24>	Yes
Reserved	—	124	—	—	—	—	—	—
Reserved	—	125	—	—	—	—	—	—
Reserved	—	126	—	—	—	—	—	—
Reserved	—	127	—	—	—	—	—	—
Reserved	—	128	—	—	—	—	—	—
Reserved	—	129	—	—	—	—	—	—
Reserved	—	130	—	—	—	—	—	—
Reserved	—	131	—	—	—	—	—	—
Reserved	—	132	—	—	—	—	—	—
Reserved	—	133	—	—	—	—	—	—
Reserved	—	134	—	—	—	—	—	—
Reserved	—	135	—	—	—	—	—	—
Reserved	—	136	—	—	—	—	—	—
Reserved	—	137	—	—	—	—	—	—
Reserved	—	138	—	—	—	—	—	—
Reserved	—	139	—	—	—	—	—	—
Reserved	—	140	—	—	—	—	—	—
Reserved	—	141	—	—	—	—	—	—
Reserved	—	142	—	—	—	—	—	—
Reserved	—	143	—	—	—	—	—	—
Reserved	—	144	—	—	—	—	—	—
Reserved	—	145	—	—	—	—	—	—

Note 1: Not all interrupt sources are available on all devices. See **TABLE 1: “PIC32MK MCA Family Features”** for the list of available peripherals.

2: This interrupt source is not available on 32-pin devices.

3: This interrupt source is not available on 28-pin devices.

TABLE 7-3: INTERRUPT IRQ, VECTOR AND BIT LOCATION (CONTINUED)

Interrupt Source ⁽¹⁾	XC32 Vector Name	IRQ #	Vector #	Interrupt Bit Location				Persistent Interrupt
				Flag	Enable	Priority	Sub-priority	
Reserved	—	146	—	—	—	—	—	—
Reserved	—	147	—	—	—	—	—	—
Reserved	—	148	—	—	—	—	—	—
Reserved	—	149	—	—	—	—	—	—
Reserved	—	150	—	—	—	—	—	—
Reserved	—	151	—	—	—	—	—	—
Reserved	—	152	—	—	—	—	—	—
Reserved	—	153	—	—	—	—	—	—
Reserved	—	154	—	—	—	—	—	—
Reserved	—	155	—	—	—	—	—	—
ADC Data 50	_ADC_DATA50_VECTOR	156	OFF156<17:1>	IFS4<28>	IEC4<28>	IPC39<4:2>	IPC39<1:0>	Yes
Reserved	—	157	—	—	—	—	—	—
Reserved	—	158	—	—	—	—	—	—
ADC Data 53	_ADC_DATA53_VECTOR	159	OFF159<17:1>	IFS4<31>	IEC4<31>	IPC39<28:26>	IPC39<25:24>	Yes
Comparator 3 Interrupt ^(2,3)	_COMPARATOR_3_VECTOR	160	OFF160<17:1>	IFS5<0>	IEC5<0>	IPC40<4:2>	IPC40<1:0>	No
Reserved	—	161	—	—	—	—	—	—
Reserved	—	162	—	—	—	—	—	—
Reserved	—	163	—	—	—	—	—	—
Reserved	—	164	—	—	—	—	—	—
Reserved	—	165	—	—	—	—	—	—
Reserved	—	166	—	—	—	—	—	—
Reserved	—	167	—	—	—	—	—	—
Reserved	—	168	—	—	—	—	—	—
QE11 Interrupt	_QE11_VECTOR	169	OFF169<17:1>	IFS5<9>	IEC5<9>	IPC42<12:10>	IPC42<9:8>	Yes
QE12 Interrupt	_QE12_VECTOR	170	OFF170<17:1>	IFS5<10>	IEC5<10>	IPC42<20:18>	IPC42<17:16>	Yes
PWM Primary Event	_PWM_PRI_VECTOR	171	OFF171<17:1>	IFS5<11>	IEC5<11>	IPC42<28:26>	IPC42<25:24>	No
PWM Sec Event	_PWM_SEC_VECTOR	172	OFF172<17:1>	IFS5<12>	IEC5<12>	IPC43<4:2>	IPC43<1:0>	No
PWM1 Combined Interrupt (Period, Fault, Trigger, Current-Limit)	_PWM1_VECTOR	173	OFF173<17:1>	IFS5<13>	IEC5<13>	IPC43<12:10>	IPC43<9:8>	No
PWM2 Combined Interrupt (Period, Fault, Trigger, Current-Limit)	_PWM2_VECTOR	174	OFF174<17:1>	IFS5<14>	IEC5<14>	IPC43<20:18>	IPC43<17:16>	No

Note 1: Not all interrupt sources are available on all devices. See TABLE 1: “PIC32MK MCA Family Features” for the list of available peripherals.

2: This interrupt source is not available on 32-pin devices.

3: This interrupt source is not available on 28-pin devices.

TABLE 7-3: INTERRUPT IRQ, VECTOR AND BIT LOCATION (CONTINUED)

Interrupt Source ⁽¹⁾	XC32 Vector Name	IRQ #	Vector #	Interrupt Bit Location				Persistent Interrupt
				Flag	Enable	Priority	Sub-priority	
PWM3 Combined Interrupt (Period, Fault, Trigger, Current-Limit)	_PWM3_VECTOR	175	OFF175<17:1>	IFS5<15>	IEC5<15>	IPC43<28:26>	IPC43<25:24>	No
PWM4 Combined Interrupt (Period, Fault, Trigger, Current-Limit)	_PWM4_VECTOR	176	OFF176<17:1>	IFS5<16>	IEC5<16>	IPC44<4:2>	IPC44<1:0>	No
Reserved	—	177	—	—	—	—	—	—
Reserved	—	178	—	—	—	—	—	—
Reserved	—	179	—	—	—	—	—	—
Reserved	—	180	—	—	—	—	—	—
Reserved	—	181	—	—	—	—	—	—
DMA Channel 4	_DMA4_VECTOR	182	OFF182<17:1>	IFS5<22>	IEC5<22>	IPC45<20:18>	IPC45<17:16>	Yes
DMA Channel 5	_DMA5_VECTOR	183	OFF183<17:1>	IFS5<23>	IEC5<23>	IPC45<28:26>	IPC45<25:24>	Yes
DMA Channel 6	_DMA6_VECTOR	184	OFF184<17:1>	IFS5<24>	IEC5<24>	IPC46<4:2>	IPC46<1:0>	Yes
DMA Channel 7	_DMA7_VECTOR	185	OFF185<17:1>	IFS5<25>	IEC5<25>	IPC46<12:10>	IPC46<9:8>	Yes
Reserved	—	186	—	—	—	—	—	—
Reserved	—	187	—	—	—	—	—	—
Reserved	—	188	—	—	—	—	—	—
Reserved	—	189	—	—	—	—	—	—
Reserved	—	190	—	—	—	—	—	—
Reserved	—	191	—	—	—	—	—	—
Reserved	—	192	—	—	—	—	—	—
Reserved	—	193	—	—	—	—	—	—
Reserved	—	194	—	—	—	—	—	—
Reserved	—	195	—	—	—	—	—	—
Reserved	—	196	—	—	—	—	—	—
Reserved	—	197	—	—	—	—	—	—
Reserved	—	198	—	—	—	—	—	—
Reserved	—	199	—	—	—	—	—	—
Reserved	—	200	—	—	—	—	—	—
Reserved	—	201	—	—	—	—	—	—
Reserved	—	202	—	—	—	—	—	—
Reserved	—	203	—	—	—	—	—	—

Note 1: Not all interrupt sources are available on all devices. See **TABLE 1: “PIC32MK MCA Family Features”** for the list of available peripherals.

2: This interrupt source is not available on 32-pin devices.

3: This interrupt source is not available on 28-pin devices.

TABLE 7-3: INTERRUPT IRQ, VECTOR AND BIT LOCATION (CONTINUED)

Interrupt Source ⁽¹⁾	XC32 Vector Name	IRQ #	Vector #	Interrupt Bit Location				Persistent Interrupt
				Flag	Enable	Priority	Sub-priority	
Reserved	—	204	—	—	—	—	—	—
Reserved	—	205	—	—	—	—	—	—
Reserved	—	206	—	—	—	—	—	—
Reserved	—	207	—	—	—	—	—	—
Reserved	—	208	—	—	—	—	—	—
Reserved	—	209	—	—	—	—	—	—
Reserved	—	210	—	—	—	—	—	—
Reserved	—	211	—	—	—	—	—	—
Reserved	—	212	—	—	—	—	—	—
Reserved	—	213	—	—	—	—	—	—
Reserved	—	214	—	—	—	—	—	—
Reserved	—	215	—	—	—	—	—	—
Reserved	—	216	—	—	—	—	—	—
Reserved	—	217	—	—	—	—	—	—
Reserved	—	218	—	—	—	—	—	—
Reserved	—	219	—	—	—	—	—	—
Reserved	—	220	—	—	—	—	—	—
Reserved	—	221	—	—	—	—	—	—
Reserved	—	222	—	—	—	—	—	—
Reserved	—	223	—	—	—	—	—	—
Reserved	—	224	—	—	—	—	—	—
Reserved	—	225	—	—	—	—	—	—
Reserved	—	226	—	—	—	—	—	—
Reserved	—	227	—	—	—	—	—	—
Reserved	—	228	—	—	—	—	—	—
Reserved	—	229	—	—	—	—	—	—
System Bus Protection Violation	_SYSTEM_BUS_PROTECTION_VECTOR	230	OFF230<17:1>	IFS7<6>	IEC7<6>	IPC57<20:18>	IPC57<17:16>	Yes
Reserved	—	231	—	—	—	—	—	—
Reserved	—	232	—	—	—	—	—	—
Reserved	—	233	—	—	—	—	—	—
Reserved	—	234	—	—	—	—	—	—

Note 1: Not all interrupt sources are available on all devices. See TABLE 1: “PIC32MK MCA Family Features” for the list of available peripherals.

2: This interrupt source is not available on 32-pin devices.

3: This interrupt source is not available on 28-pin devices.

TABLE 7-3: INTERRUPT IRQ, VECTOR AND BIT LOCATION (CONTINUED)

Interrupt Source ⁽¹⁾	XC32 Vector Name	IRQ #	Vector #	Interrupt Bit Location				Persistent Interrupt
				Flag	Enable	Priority	Sub-priority	
Reserved	—	235	—	—	—	—	—	—
Reserved	—	236	—	—	—	—	—	—
Reserved	—	237	—	—	—	—	—	—
Reserved	—	238	—	—	—	—	—	—
Reserved	—	239	—	—	—	—	—	—
Reserved	—	240	—	—	—	—	—	—
Reserved	—	241	—	—	—	—	—	—
Reserved	—	242	—	—	—	—	—	—
Reserved	—	243	—	—	—	—	—	—
Reserved	—	244	—	—	—	—	—	—
Reserved	—	245	—	—	—	—	—	—
Reserved	—	246	—	—	—	—	—	—
Prefetch Cache Event	_PCACHE_VECTOR	247	OFF247<17:1>	IFS7<23>	IEC7<23>	IPC61<28:26>	IPC61<25:24>	Yes
Reserved	—	248	—	—	—	—	—	—
CLC1	_CLC1_VECTOR	249	OFF249<17:1>	IFS7<25>	IEC7<25>	IPC62<12:10>	IPC62<9:8>	Yes
Reserved	—	250	—	—	—	—	—	—
Reserved	—	251	—	—	—	—	—	—
Reserved	—	252	—	—	—	—	—	—
Reserved	—	253	—	—	—	—	—	—
Core Performance Counter Interrupt	_CORE_PERF_COUNT_VECTOR	254	OFF254<17:1>	IFS7<30>	IEC7<30>	IPC63<20:18>	IPC63<17:16>	—
Fast Debug Channel Interrupt	_CORE_FAST_DEBUG_CHAN_VECTOR	255	OFF255<17:1>	IFS7<31>	IEC7<31>	IPC63<28:26>	IPC63<25:24>	—
Lowest Natural Order Priority								

Note 1: Not all interrupt sources are available on all devices. See **TABLE 1: “PIC32MK MCA Family Features”** for the list of available peripherals.

2: This interrupt source is not available on 32-pin devices.

3: This interrupt source is not available on 28-pin devices.

7.3 Interrupt Control Registers

TABLE 7-4: INTERRUPT REGISTER MAP

Virtual Address (BF81_#)	Register Name ⁽¹⁾	Bit Range	Bits															All Resets				
			31/15	30/14	29/13	28/12	27/11	26/10	25/9	24/8	23/7	22/6	21/5	20/4	19/3	18/2	17/1		16/0			
0000	INTCON	31:16	SWNMIKEY<7:0>											—	—	—	—	—	—	—	—	0000
		15:0	—	—	—	MVEC	—	—	—	—	—	—	—	—	INT4EP	INT3EP	INT2EP	INT1EP	INT0EP	0000		
0010	PRISS	31:16	PRI7SS<3:0>				PRI6SS<3:0>				PRI5SS<3:0>				PRI4SS<3:0>				0000			
		15:0	PRI3SS<3:0>				PRI2SS<3:0>				PRI1SS<3:0>				—	—	—	—	SS0	0000		
0020	INTSTAT	31:16	—	—	—	—	—	—	—	—	—	—	—	—	—	—	—	—	—	0000		
		15:0	—	—	—	—	—	SRIPL<2:0>				SIRQ<7:0>				0000						
0030	IPTMR	31:16	IPTMR<31:0>															0000				
		15:0																0000				
0040	IFS0 ⁽⁴⁾	31:16	FCEIF	RTCCIF	—	—	—	—	—	T5IF	INT4IF	OC4IF	IC4IF	IC4EIF	T4IF	INT3IF	OC3IF	IC3IF	0000			
		15:0	IC3EIF	T3IF	INT2IF	OC2IF	IC2IF	IC2EIF	T2IF	INT1IF	OC1IF	IC1IF	IC1EIF	T1IF	INT0IF	CS1IF	CS0IF	CTIF	0000			
0050	IFS1 ⁽⁴⁾	31:16	—	—	—	—	—	—	U2TXIF	U2RXIF	U2EIF	SPI2TXIF	SPI2RXIF	SPI2EIF	—	—	—	—	0000			
		15:0	CNDIF	CNCIF	CNBIF	CNAIF	—	—	—	U1TXIF	U1RXIF	U1EIF	SPI1TXIF	SPI1RXIF	SPI1EIF	—	—	CMP2IF	CMP1IF	0000		
0060	IFS2 ⁽⁴⁾	31:16	AD1DC2IF	AD1DC1IF	—	AD11F	—	—	—	—	—	—	—	—	—	—	—	—	—	0000		
		15:0	—	—	—	—	DMA3IF	DMA2IF	DMA1IF	DMA0IF	CTMUIF	—	—	—	—	—	—	—	—	0000		
0070	IFS3 ⁽⁴⁾	31:16	—	—	—	—	AD1D17IF	AD1D16IF	AD1D15IF	AD1D14IF ^(2,3)	AD1D13IF	AD1D12IF ⁽³⁾	AD1D11IF ^(2,3)	AD1D10IF ^(2,3)	AD1D9IF	AD1D8IF ^(2,3)	AD1D7IF ^(2,3)	AD1D6IF ^(2,3)	0000			
		15:0	AD1D5IF	AD1D4IF	AD1D3IF	AD1D2IF	AD1D1IF	AD1D0IF	AD1G1IF	AD1FCBTIF	AD1RSIF	AD1ARIF	AD1EOSIF	AD1F1IF	—	—	AD1DF2IF	AD1DF1IF	0000			
0080	IFS4 ⁽⁴⁾	31:16	AD1D53IF	—	—	AD1D50IF	—	—	—	—	—	—	—	—	—	—	—	—	0000			
		15:0	—	—	—	—	—	—	—	—	—	—	—	—	—	—	—	—	0000			
0090	IFS5 ⁽⁴⁾	31:16	—	—	—	—	—	—	DMA7IF	DMA6IF	DMA5IF	DMA4IF	—	—	—	—	—	—	0000			
		15:0	PWM3IF	PWM2IF	PWM1IF	PWM SEVTIF	PWM PEVTIF	QE12IF	QE11IF	—	—	—	—	—	—	—	—	—	CMP3IF ^(2,3)	0000		
00A0	IFS6 ⁽⁴⁾	31:16	—	—	—	—	—	—	—	—	—	—	—	—	—	—	—	—	0000			
		15:0	—	—	—	—	—	—	—	—	—	—	—	—	—	—	—	—	0000			
00B0	IFS7 ⁽⁴⁾	31:16	CFDCIF	CPCIF	—	—	—	—	—	CLC1	—	—	—	—	—	—	—	—	0000			
		15:0	—	—	—	—	—	—	—	—	—	—	SBIF	—	—	—	—	—	0000			
00C0	IEC0	31:16	FCEIE	RTCCIE	—	—	—	—	—	T5IE	INT4IE	OC4IE	IC4IE	IC4EIE	T4IE	INT3IE	OC3IE	IC3IE	0000			
		15:0	IC3EIE	T3IE	INT2IE	OC2IE	IC2IE	IC2EIE	T2IE	INT1IE	OC1IE	IC1IE	IC1EIE	T1IE	INT0IE	CS1IE	CS0IE	CTIE	0000			
00D0	IEC1	31:16	—	—	—	—	—	—	—	U2TXIE	U2RXIE	U2EIE	SPI2TXIE	SPI2RXIE	SPI2EIE	—	—	—	0000			
		15:0	CNDIE	CNCIE	CNBIE	CNAIE	—	—	—	—	U1TXIE	U1RXIE	U1EIE	SPI1TXIE	SPI1RXIE	SPI1EIE	—	CMP2IE	CMP1IE	0000		

Legend: x = unknown value on Reset; — = unimplemented, read as '0'. Reset values are shown in hexadecimal.

- Note 1: All registers in this table with the exception of the OFFx registers, have corresponding CLR, SET, and INV registers at their virtual addresses, plus offsets of 0x4, 0x8, and 0xC, respectively. See **11.2 “CLR, SET, and INV Registers”** for more information.
- Note 2: This bit is not available on 32-pin devices.
- Note 3: This bit is not available on 28-pin devices.
- Note 4: The IFSx bits, as with all interrupt flag status register bits, are set as long as the peripheral is enabled and an interrupt condition event occurs. Interrupts do not have to be enabled for the IFSx bits to be set. If the user application does not want to use an interrupt, it can poll the corresponding peripheral IFSx bit to see whether an interrupt condition is occurred. The IFSx bits are persistent, hence they must be cleared if they are set by user software after an IFSx user bit interrogation.

TABLE 7-4: INTERRUPT REGISTER MAP (CONTINUED)

Virtual Address (BF81_#)	Register Name ⁽¹⁾	Bit Range	Bits																All Resets
			31/15	30/14	29/13	28/12	27/11	26/10	25/9	24/8	23/7	22/6	21/5	20/4	19/3	18/2	17/1	16/0	
00E0	IEC2	31:16	AD1DC2IE	AD1DC1IE	—	AD1IE	—	—	—	—	—	—	—	—	—	—	—	0000	
		15:0	—	—	—	—	DMA3IE	DMA2IE	DMA1IE	DMA0IE	CTMUIE	—	—	—	—	—	—	—	0000
00F0	IEC3	31:16	—	—	—	—	AD1D17IE	AD1D16IE	AD1D15IE	AD1D14IE ^(2,3)	AD1D13IE	AD1D12IE ⁽³⁾	AD1D11IE ^(2,3)	AD1D10IE ^(2,3)	AD1D09IE	AD1D08IE ^(2,3)	AD1D07IE ^(2,3)	AD1D06IE ^(2,3)	0000
		15:0	AD1D05IE	AD1D04IE	AD1D03IE	AD1D02IE	AD1D01IE	AD1D00IE	AD1G1IE	AD1FCBTIE	AD1RSIE	AD1ARIE	AD1EOSIE	AD1FIIIE	—	—	—	AD1DF2IE	AD1DF1IE
0100	IEC4	31:16	AD1D53IE	—	—	AD1D50IE	—	—	—	—	—	—	—	—	—	—	—	—	0000
		15:0	—	—	—	—	—	—	—	—	—	—	—	—	—	—	—	—	0000
0110	IEC5	31:16	—	—	—	—	—	—	—	DMA7IE	DMA6IE	DMA5IE	DMA4IE	—	—	—	—	PWM4IE	0000
		15:0	PWM3IE	PWM2IE	PWM1IE	PWM SEVTIE	PWM PEVTIE	QEI2IE	QEI1IE	—	—	—	—	—	—	—	—	—	CMP3IE ^(2,3)
0120	IEC6	31:16	—	—	—	—	—	—	—	—	—	—	—	—	—	—	—	—	0000
		15:0	—	—	—	—	—	—	—	—	—	—	—	—	—	—	—	—	—
0130	IEC7	31:16	CFDCIE	CPCIE	—	—	—	—	—	CLC1IE	—	—	—	—	—	—	—	—	0000
		15:0	—	—	—	—	—	—	—	—	—	—	—	—	—	—	—	—	—
0140	IPC0	31:16	—	—	—	—	INT0IP<2:0>	—	—	INT0IS<1:0>	—	—	—	—	CS1IP<2:0>	—	—	CS1IS<1:0>	0000
		15:0	—	—	—	—	CS0IP<2:0>	—	—	CS0IS<1:0>	—	—	—	—	CTIP<2:0>	—	—	CTIS<1:0>	0000
0150	IPC1	31:16	—	—	—	—	OC1IP<2:0>	—	—	OC1IS<1:0>	—	—	—	—	IC1IP<2:0>	—	—	IC1IS<1:0>	0000
		15:0	—	—	—	—	IC1EIP<2:0>	—	—	IC1EIS<1:0>	—	—	—	—	T1IP<2:0>	—	—	T1IS<1:0>	0000
0160	IPC2	31:16	—	—	—	—	IC2IP<2:0>	—	—	IC2IS<1:0>	—	—	—	—	IC2EIP<2:0>	—	—	IC2EIS<1:0>	0000
		15:0	—	—	—	—	T2IP<2:0>	—	—	T2IS<1:0>	—	—	—	—	INT1IP<2:0>	—	—	INT1IS<1:0>	0000
0170	IPC3	31:16	—	—	—	—	IC3EIP<2:0>	—	—	IC3EIS<1:0>	—	—	—	—	T3IP<2:0>	—	—	T3IS<1:0>	0000
		15:0	—	—	—	—	INT2IP<2:0>	—	—	INT2IS<1:0>	—	—	—	—	OC2IP<2:0>	—	—	OC2IS<1:0>	0000
0180	IPC4	31:16	—	—	—	—	T4IP<2:0>	—	—	T4IS<1:0>	—	—	—	—	INT3IP<2:0>	—	—	INT3IS<1:0>	0000
		15:0	—	—	—	—	OC3IP<2:0>	—	—	OC3IS<1:0>	—	—	—	—	IC3IP<2:0>	—	—	IC3IS<1:0>	0000
0190	IPC5	31:16	—	—	—	—	INT4IP<2:0>	—	—	INT4IS<1:0>	—	—	—	—	OC4IP<2:0>	—	—	OC4IS<1:0>	0000
		15:0	—	—	—	—	IC4IP<2:0>	—	—	IC4IS<1:0>	—	—	—	—	IC4EIP<2:0>	—	—	IC4EIS<1:0>	0000
01A0	IPC6	31:16	—	—	—	—	—	—	—	—	—	—	—	—	—	—	—	—	0000
		15:0	—	—	—	—	—	—	—	—	—	—	—	—	T5IP<2:0>	—	—	T5IS<1:0>	0000
01B0	IPC7	31:16	—	—	—	—	FCEIP<2:0>	—	—	FCEIS<1:0>	—	—	—	—	RTCCIP<2:0>	—	—	RTCCIS<1:0>	0000
		15:0	—	—	—	—	—	—	—	—	—	—	—	—	—	—	—	—	0000

Legend: x = unknown value on Reset; — = unimplemented, read as '0'. Reset values are shown in hexadecimal.

- Note** 1: All registers in this table with the exception of the OFFx registers, have corresponding CLR, SET, and INV registers at their virtual addresses, plus offsets of 0x4, 0x8, and 0xC, respectively. See [11.2 “CLR, SET, and INV Registers”](#) for more information.
- 2: This bit is not available on 32-pin devices.
- 3: This bit is not available on 28-pin devices.
- 4: The IFSx bits, as with all interrupt flag status register bits, are set as long as the peripheral is enabled and an interrupt condition event occurs. Interrupts do not have to be enabled for the IFSx bits to be set. If the user application does not want to use an interrupt, it can poll the corresponding peripheral IFSx bit to see whether an interrupt condition is occurred. The IFSx bits are persistent, hence they must be cleared if they are set by user software after an IFSx user bit interrogation.

TABLE 7-4: INTERRUPT REGISTER MAP (CONTINUED)

Virtual Address (BF81_#)	Register Name ⁽¹⁾	Bit Range	Bits														All Resets				
			31/15	30/14	29/13	28/12	27/11	26/10	25/9	24/8	23/7	22/6	21/5	20/4	19/3	18/2		17/1	16/0		
01C0	IPC8	31:16	—	—	—	SPI1EIP<2:0>				SPI1EIS<1:0>				—	—	—	—	—	—	0000	
		15:0	—	—	—	CMP2IP<2:0>				CMP2IS<1:0>				—	—	CMP1IP<2:0>		CMP1IS<1:0>		0000	
01D0	IPC9	31:16	—	—	—	U1RXIP<2:0>				U1RXIS<1:0>				—	—	U1EIP<2:0>		U1EIS<1:0>		0000	
		15:0	—	—	—	SPI1TXIP<2:0>				SPI1TXIS<1:0>				—	—	SPI1RXIP<2:0>		SPI1RXIS<1:0>		0000	
01E0	IPC10	31:16	—	—	—	—	—	—	—	—	—	—	—	—	—	—	—	—	0000		
		15:0	—	—	—	—	—	—	—	—	—	—	—	U1TXIP<2:0>		U1TXIS<1:0>		0000			
01F0	IPC11	31:16	—	—	—	CNDIP<2:0>				CNDIS<1:0>				—	—	CNCIP<2:0>		CNCIS<1:0>		0000	
		15:0	—	—	—	CNBIP<2:0>				CNBIS<1:0>				—	—	CNAIP<2:0>		CNAIS<1:0>		0000	
0210	IPC13	31:16	—	—	—	SPI2TXIP<2:0>				SPI2TXIS<1:0>				—	—	SPI2RXIP<2:0>		SPI2RXIS<1:0>		0000	
		15:0	—	—	—	SPI2EIP<2:0>				SPI2EIS<1:0>				—	—	—	—	—	—	0000	
0220	IPC14	31:16	—	—	—	—	—	—	—	—	—	—	—	—	U2TXIP<2:0>		U2TXIS<1:0>		0000		
		15:0	—	—	—	U2RXIP<2:0>				U2RXIS<1:0>				—	—	U2EIP<2:0>		U2EIS<1:0>		0000	
0230	IPC15	31:16	—	—	—	—	—	—	—	—	—	—	—	—	—	—	—	—	0000		
		15:0	—	—	—	—	—	—	—	—	—	—	—	—	—	—	—	—	0000		
0240	IPC16	31:16	—	—	—	—	—	—	—	—	—	—	—	—	—	—	—	—	0000		
		15:0	—	—	—	—	—	—	—	—	—	—	—	—	—	—	—	—	0000		
0250	IPC17	31:16	—	—	—	CTMUIP<2:0>				CTMUIS<1:0>				—	—	—	—	—	0000		
		15:0	—	—	—	—	—	—	—	—	—	—	—	—	—	—	—	—	0000		
0260	IPC18	31:16	—	—	—	DMA3IP<2:0>				DMA3IS<1:0>				—	—	DMA2IP<2:0>		DMA2IS<1:0>		0000	
		15:0	—	—	—	DMA1IP<2:0>				DMA1IS<1:0>				—	—	DMA0IP<2:0>		DMA0IS<1:0>		0000	
02B0	IPC23	31:16	—	—	—	AD1DC2IP<2:0>				AD1DC2IS<1:0>				—	—	AD1DC1IP<2:0>		AD1DC1IS<1:0>		0000	
		15:0	—	—	—	—	—	—	—	—	—	—	—	—	AD1IP<2:0>		AD1IS<1:0>		0000		
02C0	IPC24	31:16	—	—	—	—	—	—	—	—	—	—	—	—	—	—	—	—	0000		
		15:0	—	—	—	AD1DF2IP<2:0>				AD1DF2IS<1:0>				—	—	AD1DF1IP<2:0>		AD1DF1IS<1:0>		0000	
02D0	IPC25	31:16	—	—	—	AD1RSIP<2:0>				AD1RSIS<1:0>				—	—	AD1ARIP<2:0>		AD1ARIS<1:0>		0000	
		15:0	—	—	—	AD1EOSIP<2:0>				AD1EOSIS<1:0>				—	—	AD1F1IP<2:0>		AD1F1IS<1:0>		0000	
02E0	IPC26	31:16	—	—	—	AD1D01IP<2:0>				AD1D01IS<1:0>				—	—	AD1D00IP<2:0>		AD1D00IS<1:0>		0000	
		15:0	—	—	—	AD1G1IP<2:0>				AD1G1IS<1:0>				—	—	AD1FCBTIP<2:0>		AD1FCBTIS<1:0>		0000	
02F0	IPC27	31:16	—	—	—	—	—	—	—	—	—	—	—	—	—	—	AD1D04IP<2:0>		AD1D04IS<1:0>		0000
		15:0	—	—	—	AD1D03IP<2:0>				AD1D03IS<1:0>				—	—	AD1D02IP<2:0>		AD1D02IS<1:0>		0000	

Legend: * = unknown value on Reset; — = unimplemented, read as '0'. Reset values are shown in hexadecimal.

- Note** 1: All registers in this table with the exception of the OFFx registers, have corresponding CLR, SET, and INV registers at their virtual addresses, plus offsets of 0x4, 0x8, and 0xC, respectively. See [11.2 “CLR, SET, and INV Registers”](#) for more information.
- 2: This bit is not available on 32-pin devices.
- 3: This bit is not available on 28-pin devices.
- 4: The IFSx bits, as with all interrupt flag status register bits, are set as long as the peripheral is enabled and an interrupt condition event occurs. Interrupts do not have to be enabled for the IFSx bits to be set. If the user application does not want to use an interrupt, it can poll the corresponding peripheral IFSx bit to see whether an interrupt condition is occurred. The IFSx bits are persistent, hence they must be cleared if they are set by user software after an IFSx user bit interrogation.

TABLE 7-4: INTERRUPT REGISTER MAP (CONTINUED)

Virtual Address (BF81_#)	Register Name ⁽¹⁾	Bit Range	Bits														All Resets					
			31/15	30/14	29/13	28/12	27/11	26/10	25/9	24/8	23/7	22/6	21/5	20/4	19/3	18/2		17/1	16/0			
0300	IPC28	31:16	—	—	—	AD1D09IP<2:0>			AD1D09IS<1:0>			—	—	—	AD1D08IP<2:0> ^(2,3)			AD1D08IS<1:0> ^(2,3)		0000		
		15:0	—	—	—	AD1D07IP<2:0> ^(2,3)			AD1D07IS<1:0> ^(2,3)			—	—	—	AD1D06IP<2:0> ^(2,3)			AD1D06IS<1:0> ^(2,3)		0000		
0310	IPC29	31:16	—	—	—	AD1D13IP<2:0>			AD1D13IS<1:0>			—	—	—	AD1D12IP<2:0> ⁽³⁾			AD1D12IS<1:0> ⁽³⁾		0000		
		15:0	—	—	—	AD1D11IP<2:0> ^(2,3)			AD1D11IS<1:0> ^(2,3)			—	—	—	AD1D10IP<2:0> ^(2,3)			AD1D10IS<1:0> ^(2,3)		0000		
0320	IPC30	31:16	—	—	—	AD1D17IP<2:0>			AD1D17IS<1:0>			—	—	—	AD1D16IP<2:0>			AD1D16IS<1:0>		0000		
		15:0	—	—	—	AD1D15IP<2:0>			AD1D15IS<1:0>			—	—	—	AD1D14IP<2:0> ^(2,3)			AD1D14IS<1:0> ^(2,3)		0000		
0350	IPC33	31:16	—	—	—	—	—	—	—	—	—	—	—	—	—	—	—	—	—	—	0000	
		15:0	—	—	—	—	—	—	—	—	—	—	—	—	—	—	—	—	—	—	—	0000
0360	IPC34	31:16	—	—	—	—	—	—	—	—	—	—	—	—	—	—	—	—	—	—	—	0000
		15:0	—	—	—	—	—	—	—	—	—	—	—	—	—	—	—	—	—	—	—	0000
03B0	IPC39	31:16	—	—	—	AD1D53IP<2:0>			AD1D53IS<1:0>			—	—	—	—	—	—	—	—	—	—	0000
		15:0	—	—	—	—	—	—	—	—	—	—	—	—	—	AD1D50IP<2:0>			AD1D50IS<1:0>		0000	
03C0	IPC40	31:16	—	—	—	—	—	—	—	—	—	—	—	—	—	—	—	—	—	—	—	0000
		15:0	—	—	—	—	—	—	—	—	—	—	—	—	—	CMP3IP<2:0> ^(2,3)			CMP3IS<1:0> ^(2,3)		0000	
03E0	IPC42	31:16	—	—	—	PWMPEVTIP<2:0>			PWMSEVTIP<1:0>			—	—	—	QEI2IP<2:0>			QEI2SIP<1:0>		0000		
		15:0	—	—	—	QEI1IP<2:0>			QEI1SIP<1:0>			—	—	—	—	—	—	—	—	—	—	0000
03F0	IPC43	31:16	—	—	—	PWM3IP<2:0>			PWM3SIP<1:0>			—	—	—	PWM2IP<2:0>			PWM2SIP<1:0>		0000		
		15:0	—	—	—	PWM1IP<2:0>			PWM1SIP<1:0>			—	—	—	PWMSEVTIP<2:0>			PWMSEVTSIP<1:0>		0000		
0400	IPC44	31:16	—	—	—	—	—	—	—	—	—	—	—	—	—	—	—	—	—	—	—	0000
		15:0	—	—	—	—	—	—	—	—	—	—	—	—	—	PWM4IP<2:0>			PWM4SIP<1:0>		0000	
0410	IPC45	31:16	—	—	—	DMA5IP<2:0>			DMA5IS<1:0>			—	—	—	DMA4IP<2:0>			DMA4IS<1:0>		0000		
		15:0	—	—	—	—	—	—	—	—	—	—	—	—	—	—	—	—	—	—	—	0000
0420	IPC46	31:16	—	—	—	—	—	—	—	—	—	—	—	—	—	—	—	—	—	—	—	0000
		15:0	—	—	—	DMA7IP<2:0>			DMA7IS<1:0>			—	—	—	DMA6IP<2:0>			DMA6IS<1:0>		0000		
0440	IPC48	31:16	—	—	—	—	—	—	—	—	—	—	—	—	—	—	—	—	—	—	—	0000
		15:0	—	—	—	—	—	—	—	—	—	—	—	—	—	—	—	—	—	—	—	0000
0450	IPC49	31:16	—	—	—	—	—	—	—	—	—	—	—	—	—	—	—	—	—	—	—	0000
		15:0	—	—	—	—	—	—	—	—	—	—	—	—	—	—	—	—	—	—	—	0000
0460	IPC50	31:16	—	—	—	—	—	—	—	—	—	—	—	—	—	—	—	—	—	—	—	0000
		15:0	—	—	—	—	—	—	—	—	—	—	—	—	—	—	—	—	—	—	—	0000

Legend: x = unknown value on Reset; — = unimplemented, read as '0'. Reset values are shown in hexadecimal.

- Note 1:** All registers in this table with the exception of the OFFx registers, have corresponding CLR, SET, and INV registers at their virtual addresses, plus offsets of 0x4, 0x8, and 0xC, respectively. See [11.2 “CLR, SET, and INV Registers”](#) for more information.
- 2:** This bit is not available on 32-pin devices.
- 3:** This bit is not available on 28-pin devices.
- 4:** The IFSx bits, as with all interrupt flag status register bits, are set as long as the peripheral is enabled and an interrupt condition event occurs. Interrupts do not have to be enabled for the IFSx bits to be set. If the user application does not want to use an interrupt, it can poll the corresponding peripheral IFSx bit to see whether an interrupt condition is occurred. The IFSx bits are persistent, hence they must be cleared if they are set by user software after an IFSx user bit interrogation.

TABLE 7-4: INTERRUPT REGISTER MAP (CONTINUED)

Virtual Address (BF81_#)	Register Name ⁽¹⁾	Bit Range	Bits															All Resets	
			31/15	30/14	29/13	28/12	27/11	26/10	25/9	24/8	23/7	22/6	21/5	20/4	19/3	18/2	17/1		16/0
0470	IPC51	31:16	—	—	—	—	—	—	—	—	—	—	—	—	—	—	—	—	0000
		15:0	—	—	—	—	—	—	—	—	—	—	—	—	—	—	—	—	—
0480	IPC52	31:16	—	—	—	—	—	—	—	—	—	—	—	—	—	—	—	—	0000
		15:0	—	—	—	—	—	—	—	—	—	—	—	—	—	—	—	—	0000
0490	IPC53	31:16	—	—	—	—	—	—	—	—	—	—	—	—	—	—	—	—	0000
		15:0	—	—	—	—	—	—	—	—	—	—	—	—	—	—	—	—	0000
04A0	IPC54	31:16	—	—	—	—	—	—	—	—	—	—	—	—	—	—	—	—	0000
		15:0	—	—	—	—	—	—	—	—	—	—	—	—	—	—	—	—	0000
04B0	IPC55	31:16	—	—	—	—	—	—	—	—	—	—	—	—	—	—	—	—	0000
		15:0	—	—	—	—	—	—	—	—	—	—	—	—	—	—	—	—	0000
04C0	IPC56	31:16	—	—	—	—	—	—	—	—	—	—	—	—	—	—	—	—	0000
		15:0	—	—	—	—	—	—	—	—	—	—	—	—	—	—	—	—	0000
04D0	IPC57	31:16	—	—	—	—	—	—	—	—	—	—	—	SBIP<2:0>			SBIS<1:0>		0000
		15:0	—	—	—	—	—	—	—	—	—	—	—	—	—	—	—	—	0000
04F0	IPC59	31:16	—	—	—	—	—	—	—	—	—	—	—	—	—	—	—	—	0000
		15:0	—	—	—	—	—	—	—	—	—	—	—	—	—	—	—	—	0000
0500	IPC60	31:16	—	—	—	—	—	—	—	—	—	—	—	—	—	—	—	—	0000
		15:0	—	—	—	—	—	—	—	—	—	—	—	—	—	—	—	—	0000
0510	IPC61	31:16	—	—	—	—	—	—	—	—	—	—	—	—	—	—	—	—	0000
		15:0	—	—	—	—	—	—	—	—	—	—	—	—	—	—	—	—	0000
0520	IPC62	31:16	—	—	—	—	—	—	—	—	—	—	—	—	—	—	—	—	0000
		15:0	—	—	—	CLC1IP<2:0>			CLC1IS<1:0>			—	—	—	—	—	—	—	0000
0530	IPC63	31:16	—	—	—	—	—	—	—	—	—	—	CPCIP<2:0>			CPCIS<1:0>		0000	
		15:0	—	—	—	—	—	—	—	—	—	—	—	—	—	—	—	—	0000
0540	OFF000	31:16	—	—	—	—	—	—	—	—	—	—	—	—	—	—	VOFF<17:16>		0000
		15:0	VOFF<15:1>															—	0000
0544	OFF001	31:16	—	—	—	—	—	—	—	—	—	—	—	—	—	—	VOFF<17:16>		0000
		15:0	VOFF<15:1>															—	0000

Legend: * = unknown value on Reset; — = unimplemented, read as '0'. Reset values are shown in hexadecimal.

- Note** 1: All registers in this table with the exception of the OFFx registers, have corresponding CLR, SET, and INV registers at their virtual addresses, plus offsets of 0x4, 0x8, and 0xC, respectively. See [11.2 “CLR, SET, and INV Registers”](#) for more information.
- 2: This bit is not available on 32-pin devices.
- 3: This bit is not available on 28-pin devices.
- 4: The IFSx bits, as with all interrupt flag status register bits, are set as long as the peripheral is enabled and an interrupt condition event occurs. Interrupts do not have to be enabled for the IFSx bits to be set. If the user application does not want to use an interrupt, it can poll the corresponding peripheral IFSx bit to see whether an interrupt condition is occurred. The IFSx bits are persistent, hence they must be cleared if they are set by user software after an IFSx user bit interrogation.

TABLE 7-4: INTERRUPT REGISTER MAP (CONTINUED)

Virtual Address (BF81_#)	Register Name ⁽¹⁾	Bit Range	Bits														All Resets	
			31/15	30/14	29/13	28/12	27/11	26/10	25/9	24/8	23/7	22/6	21/5	20/4	19/3	18/2		17/1
0548	OFF002	31:16	—	—	—	—	—	—	—	—	—	—	—	—	—	—	VOFF<17:16>	0000
		15:0	VOFF<15:1>														—	0000
054C	OFF003	31:16	—	—	—	—	—	—	—	—	—	—	—	—	—	—	VOFF<17:16>	0000
		15:0	VOFF<15:1>														—	0000
0550	OFF004	31:16	—	—	—	—	—	—	—	—	—	—	—	—	—	—	VOFF<17:16>	0000
		15:0	VOFF<15:1>														—	0000
0554	OFF005	31:16	—	—	—	—	—	—	—	—	—	—	—	—	—	—	VOFF<17:16>	0000
		15:0	VOFF<15:1>														—	0000
0558	OFF006	31:16	—	—	—	—	—	—	—	—	—	—	—	—	—	—	VOFF<17:16>	0000
		15:0	VOFF<15:1>														—	0000
055C	OFF007	31:16	—	—	—	—	—	—	—	—	—	—	—	—	—	—	VOFF<17:16>	0000
		15:0	VOFF<15:1>														—	0000
0560	OFF008	31:16	—	—	—	—	—	—	—	—	—	—	—	—	—	—	VOFF<17:16>	0000
		15:0	VOFF<15:1>														—	0000
0564	OFF009	31:16	—	—	—	—	—	—	—	—	—	—	—	—	—	—	VOFF<17:16>	0000
		15:0	VOFF<15:1>														—	0000
0568	OFF010	31:16	—	—	—	—	—	—	—	—	—	—	—	—	—	—	VOFF<17:16>	0000
		15:0	VOFF<15:1>														—	0000
056C	OFF011	31:16	—	—	—	—	—	—	—	—	—	—	—	—	—	—	VOFF<17:16>	0000
		15:0	VOFF<15:1>														—	0000
0570	OFF012	31:16	—	—	—	—	—	—	—	—	—	—	—	—	—	—	VOFF<17:16>	0000
		15:0	VOFF<15:1>														—	0000
0574	OFF013	31:16	—	—	—	—	—	—	—	—	—	—	—	—	—	—	VOFF<17:16>	0000
		15:0	VOFF<15:1>														—	0000
0578	OFF014	31:16	—	—	—	—	—	—	—	—	—	—	—	—	—	—	VOFF<17:16>	0000
		15:0	VOFF<15:1>														—	0000
057C	OFF015	31:16	—	—	—	—	—	—	—	—	—	—	—	—	—	—	VOFF<17:16>	0000
		15:0	VOFF<15:1>														—	0000
0580	OFF016	31:16	—	—	—	—	—	—	—	—	—	—	—	—	—	—	VOFF<17:16>	0000
		15:0	VOFF<15:1>														—	0000

Legend: x = unknown value on Reset; — = unimplemented, read as '0'. Reset values are shown in hexadecimal.

- Note**
- 1: All registers in this table with the exception of the OFFx registers, have corresponding CLR, SET, and INV registers at their virtual addresses, plus offsets of 0x4, 0x8, and 0xC, respectively. See [11.2 “CLR, SET, and INV Registers”](#) for more information.
 - 2: This bit is not available on 32-pin devices.
 - 3: This bit is not available on 28-pin devices.
 - 4: The IFSx bits, as with all interrupt flag status register bits, are set as long as the peripheral is enabled and an interrupt condition event occurs. Interrupts do not have to be enabled for the IFSx bits to be set. If the user application does not want to use an interrupt, it can poll the corresponding peripheral IFSx bit to see whether an interrupt condition is occurred. The IFSx bits are persistent, hence they must be cleared if they are set by user software after an IFSx user bit interrogation.

TABLE 7-4: INTERRUPT REGISTER MAP (CONTINUED)

Virtual Address (BF81_#)	Register Name ⁽¹⁾	Bit Range	Bits														All Resets		
			31/15	30/14	29/13	28/12	27/11	26/10	25/9	24/8	23/7	22/6	21/5	20/4	19/3	18/2		17/1	16/0
0584	OFF017	31:16	—	—	—	—	—	—	—	—	—	—	—	—	—	—	—	VOFF<17:16>	0000
		15:0	VOFF<15:1>														—	0000	
0588	OFF018	31:16	—	—	—	—	—	—	—	—	—	—	—	—	—	—	—	VOFF<17:16>	0000
		15:0	VOFF<15:1>														—	0000	
058C	OFF019	31:16	—	—	—	—	—	—	—	—	—	—	—	—	—	—	—	VOFF<17:16>	0000
		15:0	VOFF<15:1>														—	0000	
0590	OFF020	31:16	—	—	—	—	—	—	—	—	—	—	—	—	—	—	—	VOFF<17:16>	0000
		15:0	VOFF<15:1>														—	0000	
0594	OFF021	31:16	—	—	—	—	—	—	—	—	—	—	—	—	—	—	—	VOFF<17:16>	0000
		15:0	VOFF<15:1>														—	0000	
0598	OFF022	31:16	—	—	—	—	—	—	—	—	—	—	—	—	—	—	—	VOFF<17:16>	0000
		15:0	VOFF<15:1>														—	0000	
059C	OFF023	31:16	—	—	—	—	—	—	—	—	—	—	—	—	—	—	—	VOFF<17:16>	0000
		15:0	VOFF<15:1>														—	0000	
05A0	OFF024	31:16	—	—	—	—	—	—	—	—	—	—	—	—	—	—	—	VOFF<17:16>	0000
		15:0	VOFF<15:1>														—	0000	
05B8	OFF030	31:16	—	—	—	—	—	—	—	—	—	—	—	—	—	—	—	VOFF<17:16>	0000
		15:0	VOFF<15:1>														—	0000	
05BC	OFF031	31:16	—	—	—	—	—	—	—	—	—	—	—	—	—	—	—	VOFF<17:16>	0000
		15:0	VOFF<15:1>														—	0000	
05C0	OFF032	31:16	—	—	—	—	—	—	—	—	—	—	—	—	—	—	—	VOFF<17:16>	0000
		15:0	VOFF<15:1>														—	0000	
05C4	OFF033	31:16	—	—	—	—	—	—	—	—	—	—	—	—	—	—	—	VOFF<17:16>	0000
		15:0	VOFF<15:1>														—	0000	
05CC	OFF035	31:16	—	—	—	—	—	—	—	—	—	—	—	—	—	—	—	VOFF<17:16>	0000
		15:0	VOFF<15:1>														—	0000	
05D0	OFF036	31:16	—	—	—	—	—	—	—	—	—	—	—	—	—	—	—	VOFF<17:16>	0000
		15:0	VOFF<15:1>														—	0000	
05D4	OFF037	31:16	—	—	—	—	—	—	—	—	—	—	—	—	—	—	—	VOFF<17:16>	0000
		15:0	VOFF<15:1>														—	0000	

Legend: x = unknown value on Reset; — = unimplemented, read as '0'. Reset values are shown in hexadecimal.

- Note** 1: All registers in this table with the exception of the OFFx registers, have corresponding CLR, SET, and INV registers at their virtual addresses, plus offsets of 0x4, 0x8, and 0xC, respectively. See [11.2 “CLR, SET, and INV Registers”](#) for more information.
- 2: This bit is not available on 32-pin devices.
- 3: This bit is not available on 28-pin devices.
- 4: The IFSx bits, as with all interrupt flag status register bits, are set as long as the peripheral is enabled and an interrupt condition event occurs. Interrupts do not have to be enabled for the IFSx bits to be set. If the user application does not want to use an interrupt, it can poll the corresponding peripheral IFSx bit to see whether an interrupt condition is occurred. The IFSx bits are persistent, hence they must be cleared if they are set by user software after an IFSx user bit interrogation.

TABLE 7-4: INTERRUPT REGISTER MAP (CONTINUED)

Virtual Address (BF81_#)	Register Name ⁽¹⁾	Bit Range	Bits														All Resets		
			31/15	30/14	29/13	28/12	27/11	26/10	25/9	24/8	23/7	22/6	21/5	20/4	19/3	18/2		17/1	16/0
05D8	OFF038	31:16	—	—	—	—	—	—	—	—	—	—	—	—	—	—	—	VOFF<17:16>	0000
		15:0	VOFF<15:1>														—	0000	
05DC	OFF039	31:16	—	—	—	—	—	—	—	—	—	—	—	—	—	—	—	VOFF<17:16>	0000
		15:0	VOFF<15:1>														—	0000	
05E0	OFF040	31:16	—	—	—	—	—	—	—	—	—	—	—	—	—	—	—	VOFF<17:16>	0000
		15:0	VOFF<15:1>														—	0000	
05E4	OFF041	31:16	—	—	—	—	—	—	—	—	—	—	—	—	—	—	—	VOFF<17:16>	0000
		15:0	VOFF<15:1>														—	0000	
05E8	OFF042	31:16	—	—	—	—	—	—	—	—	—	—	—	—	—	—	—	VOFF<17:16>	0000
		15:0	VOFF<15:1>														—	0000	
05EC	OFF043	31:16	—	—	—	—	—	—	—	—	—	—	—	—	—	—	—	VOFF<17:16>	0000
		15:0	VOFF<15:1>														—	0000	
05F0	OFF044	31:16	—	—	—	—	—	—	—	—	—	—	—	—	—	—	—	VOFF<17:16>	0000
		15:0	VOFF<15:1>														—	0000	
05F4	OFF045	31:16	—	—	—	—	—	—	—	—	—	—	—	—	—	—	—	VOFF<17:16>	0000
		15:0	VOFF<15:1>														—	0000	
05F8	OFF046	31:16	—	—	—	—	—	—	—	—	—	—	—	—	—	—	—	VOFF<17:16>	0000
		15:0	VOFF<15:1>														—	0000	
05FC	OFF047	31:16	—	—	—	—	—	—	—	—	—	—	—	—	—	—	—	VOFF<17:16>	0000
		15:0	VOFF<15:1>														—	0000	
0614	OFF053	31:16	—	—	—	—	—	—	—	—	—	—	—	—	—	—	—	VOFF<17:16>	0000
		15:0	VOFF<15:1>														—	0000	
0618	OFF054	31:16	—	—	—	—	—	—	—	—	—	—	—	—	—	—	—	VOFF<17:16>	0000
		15:0	VOFF<15:1>														—	0000	
061C	OFF055	31:16	—	—	—	—	—	—	—	—	—	—	—	—	—	—	—	VOFF<17:16>	0000
		15:0	VOFF<15:1>														—	0000	
0620	OFF056	31:16	—	—	—	—	—	—	—	—	—	—	—	—	—	—	—	VOFF<17:16>	0000
		15:0	VOFF<15:1>														—	0000	
0624	OFF057	31:16	—	—	—	—	—	—	—	—	—	—	—	—	—	—	—	VOFF<17:16>	0000
		15:0	VOFF<15:1>														—	0000	

Legend: x = unknown value on Reset; — = unimplemented, read as '0'. Reset values are shown in hexadecimal.

- Note**
- 1: All registers in this table with the exception of the OFFx registers, have corresponding CLR, SET, and INV registers at their virtual addresses, plus offsets of 0x4, 0x8, and 0xC, respectively. See [11.2 “CLR, SET, and INV Registers”](#) for more information.
 - 2: This bit is not available on 32-pin devices.
 - 3: This bit is not available on 28-pin devices.
 - 4: The IFSx bits, as with all interrupt flag status register bits, are set as long as the peripheral is enabled and an interrupt condition event occurs. Interrupts do not have to be enabled for the IFSx bits to be set. If the user application does not want to use an interrupt, it can poll the corresponding peripheral IFSx bit to see whether an interrupt condition is occurred. The IFSx bits are persistent, hence they must be cleared if they are set by user software after an IFSx user bit interrogation.

TABLE 7-4: INTERRUPT REGISTER MAP (CONTINUED)

Virtual Address (BF81_#)	Register Name ⁽¹⁾	Bit Range	Bits														All Resets		
			31/15	30/14	29/13	28/12	27/11	26/10	25/9	24/8	23/7	22/6	21/5	20/4	19/3	18/2		17/1	16/0
0628	OFF058	31:16	—	—	—	—	—	—	—	—	—	—	—	—	—	—	—	VOFF<17:16>	0000
		15:0	VOFF<15:1>														—	0000	
062C	OFF059	31:16	—	—	—	—	—	—	—	—	—	—	—	—	—	—	—	VOFF<17:16>	0000
		15:0	VOFF<15:1>														—	0000	
0630	OFF060	31:16	—	—	—	—	—	—	—	—	—	—	—	—	—	—	—	VOFF<17:16>	0000
		15:0	VOFF<15:1>														—	0000	
0634	OFF061	31:16	—	—	—	—	—	—	—	—	—	—	—	—	—	—	—	VOFF<17:16>	0000
		15:0	VOFF<15:1>														—	0000	
065C	OFF071	31:16	—	—	—	—	—	—	—	—	—	—	—	—	—	—	—	VOFF<17:16>	0000
		15:0	VOFF<15:1>														—	0000	
0660	OFF072	31:16	—	—	—	—	—	—	—	—	—	—	—	—	—	—	—	VOFF<17:16>	0000
		15:0	VOFF<15:1>														—	0000	
0664	OFF073	31:16	—	—	—	—	—	—	—	—	—	—	—	—	—	—	—	VOFF<17:16>	0000
		15:0	VOFF<15:1>														—	0000	
0668	OFF074	31:16	—	—	—	—	—	—	—	—	—	—	—	—	—	—	—	VOFF<17:16>	0000
		15:0	VOFF<15:1>														—	0000	
066C	OFF075	31:16	—	—	—	—	—	—	—	—	—	—	—	—	—	—	—	VOFF<17:16>	0000
		15:0	VOFF<15:1>														—	0000	
06B0	OFF092	31:16	—	—	—	—	—	—	—	—	—	—	—	—	—	—	—	VOFF<17:16>	0000
		15:0	VOFF<15:1>														—	0000	
06B8	OFF094	31:16	—	—	—	—	—	—	—	—	—	—	—	—	—	—	—	VOFF<17:16>	0000
		15:0	VOFF<15:1>														—	0000	
06BC	OFF095	31:16	—	—	—	—	—	—	—	—	—	—	—	—	—	—	—	VOFF<17:16>	0000
		15:0	VOFF<15:1>														—	0000	
06C0	OFF096	31:16	—	—	—	—	—	—	—	—	—	—	—	—	—	—	—	VOFF<17:16>	0000
		15:0	VOFF<15:1>														—	0000	
06C4	OFF097	31:16	—	—	—	—	—	—	—	—	—	—	—	—	—	—	—	VOFF<17:16>	0000
		15:0	VOFF<15:1>														—	0000	
06D0	OFF100	31:16	—	—	—	—	—	—	—	—	—	—	—	—	—	—	—	VOFF<17:16>	0000
		15:0	VOFF<15:1>														—	0000	

Legend: x = unknown value on Reset; — = unimplemented, read as '0'. Reset values are shown in hexadecimal.

- Note** 1: All registers in this table with the exception of the OFFx registers, have corresponding CLR, SET, and INV registers at their virtual addresses, plus offsets of 0x4, 0x8, and 0xC, respectively. See [11.2 “CLR, SET, and INV Registers”](#) for more information.
- 2: This bit is not available on 32-pin devices.
- 3: This bit is not available on 28-pin devices.
- 4: The IFSx bits, as with all interrupt flag status register bits, are set as long as the peripheral is enabled and an interrupt condition event occurs. Interrupts do not have to be enabled for the IFSx bits to be set. If the user application does not want to use an interrupt, it can poll the corresponding peripheral IFSx bit to see whether an interrupt condition is occurred. The IFSx bits are persistent, hence they must be cleared if they are set by user software after an IFSx user bit interrogation.

TABLE 7-4: INTERRUPT REGISTER MAP (CONTINUED)

Virtual Address (BF81_#)	Register Name ⁽¹⁾	Bit Range	Bits														All Resets	
			31/15	30/14	29/13	28/12	27/11	26/10	25/9	24/8	23/7	22/6	21/5	20/4	19/3	18/2		17/1
06D4	OFF101	31:16	—	—	—	—	—	—	—	—	—	—	—	—	—	—	VOFF<17:16>	0000
		15:0	VOFF<15:1>														—	0000
06D8	OFF102	31:16	—	—	—	—	—	—	—	—	—	—	—	—	—	—	VOFF<17:16>	0000
		15:0	VOFF<15:1>														—	0000
06DC	OFF103	31:16	—	—	—	—	—	—	—	—	—	—	—	—	—	—	VOFF<17:16>	0000
		15:0	VOFF<15:1>														—	0000
06E0	OFF104	31:16	—	—	—	—	—	—	—	—	—	—	—	—	—	—	VOFF<17:16>	0000
		15:0	VOFF<15:1>														—	0000
06E4	OFF105	31:16	—	—	—	—	—	—	—	—	—	—	—	—	—	—	VOFF<17:16>	0000
		15:0	VOFF<15:1>														—	0000
06E8	OFF106	31:16	—	—	—	—	—	—	—	—	—	—	—	—	—	—	VOFF<17:16>	0000
		15:0	VOFF<15:1>														—	0000
06EC	OFF107	31:16	—	—	—	—	—	—	—	—	—	—	—	—	—	—	VOFF<17:16>	0000
		15:0	VOFF<15:1>														—	0000
06F0	OFF108	31:16	—	—	—	—	—	—	—	—	—	—	—	—	—	—	VOFF<17:16>	0000
		15:0	VOFF<15:1>														—	0000
06F4	OFF109	31:16	—	—	—	—	—	—	—	—	—	—	—	—	—	—	VOFF<17:16>	0000
		15:0	VOFF<15:1>														—	0000
06F8	OFF110	31:16	—	—	—	—	—	—	—	—	—	—	—	—	—	—	VOFF<17:16>	0000
		15:0	VOFF<15:1>														—	0000
06FC	OFF111	31:16	—	—	—	—	—	—	—	—	—	—	—	—	—	—	VOFF<17:16>	0000
		15:0	VOFF<15:1>														—	0000
0700	OFF112 ^(2,3)	31:16	—	—	—	—	—	—	—	—	—	—	—	—	—	—	VOFF<17:16>	0000
		15:0	VOFF<15:1>														—	0000
0704	OFF113 ^(2,3)	31:16	—	—	—	—	—	—	—	—	—	—	—	—	—	—	VOFF<17:16>	0000
		15:0	VOFF<15:1>														—	0000
0708	OFF114 ^(2,3)	31:16	—	—	—	—	—	—	—	—	—	—	—	—	—	—	VOFF<17:16>	0000
		15:0	VOFF<15:1>														—	0000
070C	OFF115	31:16	—	—	—	—	—	—	—	—	—	—	—	—	—	—	VOFF<17:16>	0000
		15:0	VOFF<15:1>														—	0000

Legend: x = unknown value on Reset; — = unimplemented, read as '0'. Reset values are shown in hexadecimal.

- Note**
- 1: All registers in this table with the exception of the OFFx registers, have corresponding CLR, SET, and INV registers at their virtual addresses, plus offsets of 0x4, 0x8, and 0xC, respectively. See [11.2 “CLR, SET, and INV Registers”](#) for more information.
 - 2: This bit is not available on 32-pin devices.
 - 3: This bit is not available on 28-pin devices.
 - 4: The IFSx bits, as with all interrupt flag status register bits, are set as long as the peripheral is enabled and an interrupt condition event occurs. Interrupts do not have to be enabled for the IFSx bits to be set. If the user application does not want to use an interrupt, it can poll the corresponding peripheral IFSx bit to see whether an interrupt condition is occurred. The IFSx bits are persistent, hence they must be cleared if they are set by user software after an IFSx user bit interrogation.

TABLE 7-4: INTERRUPT REGISTER MAP (CONTINUED)

Virtual Address (BF81_#)	Register Name ⁽¹⁾	Bit Range	Bits														All Resets		
			31/15	30/14	29/13	28/12	27/11	26/10	25/9	24/8	23/7	22/6	21/5	20/4	19/3	18/2		17/1	16/0
0710	OFF116 ⁽²⁾ _(.3)	31:16	—	—	—	—	—	—	—	—	—	—	—	—	—	—	—	VOFF<17:16>	0000
		15:0	VOFF<15:1>														—	0000	
0714	OFF117 ⁽²⁾ _(.3)	31:16	—	—	—	—	—	—	—	—	—	—	—	—	—	—	—	VOFF<17:16>	0000
		15:0	VOFF<15:1>														—	0000	
0718	OFF118 ⁽³⁾ _()	31:16	—	—	—	—	—	—	—	—	—	—	—	—	—	—	—	VOFF<17:16>	0000
		15:0	VOFF<15:1>														—	0000	
071C	OFF119	31:16	—	—	—	—	—	—	—	—	—	—	—	—	—	—	—	VOFF<17:16>	0000
		15:0	VOFF<15:1>														—	0000	
0720	OFF120 ^(2,3)	31:16	—	—	—	—	—	—	—	—	—	—	—	—	—	—	—	VOFF<17:16>	0000
		15:0	VOFF<15:1>														—	0000	
0724	OFF121	31:16	—	—	—	—	—	—	—	—	—	—	—	—	—	—	—	VOFF<17:16>	0000
		15:0	VOFF<15:1>														—	0000	
0728	OFF122	31:16	—	—	—	—	—	—	—	—	—	—	—	—	—	—	—	VOFF<17:16>	0000
		15:0	VOFF<15:1>														—	0000	
072C	OFF123	31:16	—	—	—	—	—	—	—	—	—	—	—	—	—	—	—	VOFF<17:16>	0000
		15:0	VOFF<15:1>														—	0000	
07B0	OFF156	31:16	—	—	—	—	—	—	—	—	—	—	—	—	—	—	—	VOFF<17:16>	0000
		15:0	VOFF<15:1>														—	0000	
07BC	OFF159	31:16	—	—	—	—	—	—	—	—	—	—	—	—	—	—	—	VOFF<17:16>	0000
		15:0	VOFF<15:1>														—	0000	
07C0	OFF160 ⁽³⁾	31:16	—	—	—	—	—	—	—	—	—	—	—	—	—	—	—	VOFF<17:16>	0000
		15:0	VOFF<15:1>														—	0000	
07E4	OFF169	31:16	—	—	—	—	—	—	—	—	—	—	—	—	—	—	—	VOFF<17:16>	0000
		15:0	VOFF<15:1>														—	0000	
07E8	OFF170	31:16	—	—	—	—	—	—	—	—	—	—	—	—	—	—	—	VOFF<17:16>	0000
		15:0	VOFF<15:1>														—	0000	
07EC	OFF171	31:16	—	—	—	—	—	—	—	—	—	—	—	—	—	—	—	VOFF<17:16>	0000
		15:0	VOFF<15:1>														—	0000	
07F0	OFF172	31:16	—	—	—	—	—	—	—	—	—	—	—	—	—	—	—	VOFF<17:16>	0000
		15:0	VOFF<15:1>														—	0000	

Legend: x = unknown value on Reset; — = unimplemented, read as '0'. Reset values are shown in hexadecimal.

- Note** 1: All registers in this table with the exception of the OFFx registers, have corresponding CLR, SET, and INV registers at their virtual addresses, plus offsets of 0x4, 0x8, and 0xC, respectively. See [11.2 “CLR, SET, and INV Registers”](#) for more information.
- 2: This bit is not available on 32-pin devices.
- 3: This bit is not available on 28-pin devices.
- 4: The IFSx bits, as with all interrupt flag status register bits, are set as long as the peripheral is enabled and an interrupt condition event occurs. Interrupts do not have to be enabled for the IFSx bits to be set. If the user application does not want to use an interrupt, it can poll the corresponding peripheral IFSx bit to see whether an interrupt condition is occurred. The IFSx bits are persistent, hence they must be cleared if they are set by user software after an IFSx user bit interrogation.

TABLE 7-4: INTERRUPT REGISTER MAP (CONTINUED)

Virtual Address (BF81_#)	Register Name ⁽¹⁾	Bit Range	Bits														All Resets		
			31/15	30/14	29/13	28/12	27/11	26/10	25/9	24/8	23/7	22/6	21/5	20/4	19/3	18/2		17/1	16/0
07F4	OFF173	31:16	—	—	—	—	—	—	—	—	—	—	—	—	—	—	—	VOFF<17:16>	0000
		15:0	VOFF<15:1>														—	0000	
07F8	OFF174	31:16	—	—	—	—	—	—	—	—	—	—	—	—	—	—	—	VOFF<17:16>	0000
		15:0	VOFF<15:1>														—	0000	
07FC	OFF175	31:16	—	—	—	—	—	—	—	—	—	—	—	—	—	—	—	VOFF<17:16>	0000
		15:0	VOFF<15:1>														—	0000	
0800	OFF176	31:16	—	—	—	—	—	—	—	—	—	—	—	—	—	—	—	VOFF<17:16>	0000
		15:0	VOFF<15:1>														—	0000	
0818	OFF182	31:16	—	—	—	—	—	—	—	—	—	—	—	—	—	—	—	VOFF<17:16>	0000
		15:0	VOFF<15:1>														—	0000	
081C	OFF183	31:16	—	—	—	—	—	—	—	—	—	—	—	—	—	—	—	VOFF<17:16>	0000
		15:0	VOFF<15:1>														—	0000	
0820	OFF184	31:16	—	—	—	—	—	—	—	—	—	—	—	—	—	—	—	VOFF<17:16>	0000
		15:0	VOFF<15:1>														—	0000	
0824	OFF185	31:16	—	—	—	—	—	—	—	—	—	—	—	—	—	—	—	VOFF<17:16>	0000
		15:0	VOFF<15:1>														—	0000	
08D8	OFF230	31:16	—	—	—	—	—	—	—	—	—	—	—	—	—	—	—	VOFF<17:16>	0000
		15:0	VOFF<15:1>														—	0000	
091C	OFF247	31:16	—	—	—	—	—	—	—	—	—	—	—	—	—	—	—	VOFF<17:16>	0000
		15:0	VOFF<15:1>														—	0000	
0924	OFF249	31:16	—	—	—	—	—	—	—	—	—	—	—	—	—	—	—	VOFF<17:16>	0000
		15:0	VOFF<15:1>														—	0000	
0938	OFF254	31:16	—	—	—	—	—	—	—	—	—	—	—	—	—	—	—	VOFF<17:16>	0000
		15:0	VOFF<15:1>														—	0000	
0936	OFF255	31:16	—	—	—	—	—	—	—	—	—	—	—	—	—	—	—	VOFF<17:16>	0000
		15:0	VOFF<15:1>														—	0000	

Legend: x = unknown value on Reset; — = unimplemented, read as '0'. Reset values are shown in hexadecimal.

- Note**
- 1: All registers in this table with the exception of the OFFx registers, have corresponding CLR, SET, and INV registers at their virtual addresses, plus offsets of 0x4, 0x8, and 0xC, respectively. See [11.2 “CLR, SET, and INV Registers”](#) for more information.
 - 2: This bit is not available on 32-pin devices.
 - 3: This bit is not available on 28-pin devices.
 - 4: The IFSx bits, as with all interrupt flag status register bits, are set as long as the peripheral is enabled and an interrupt condition event occurs. Interrupts do not have to be enabled for the IFSx bits to be set. If the user application does not want to use an interrupt, it can poll the corresponding peripheral IFSx bit to see whether an interrupt condition is occurred. The IFSx bits are persistent, hence they must be cleared if they are set by user software after an IFSx user bit interrogation.

PIC32MK MCA Family

REGISTER 7-1: INTCON: INTERRUPT CONTROL REGISTER

Bit Range	Bit 31/23/15/7	Bit 30/22/14/6	Bit 29/21/13/5	Bit 28/20/12/4	Bit 27/19/11/3	Bit 26/18/10/2	Bit 25/17/9/1	Bit 24/16/8/0
31:24	R/W-0	R/W-0	R/W-0	R/W-0	R/W-0	R/W-0	R/W-0	R/W-0
NMIKEY<7:0>								
23:16	U-0	U-0	U-0	U-0	U-0	U-0	U-0	U-0
—								
15:8	U-0	U-0	U-0	R/W-0	U-0	R/W-0	R/W-0	R/W-0
—								
				MVEC	TPC<2:0>			
7:0	U-0	U-0	U-0	R/W-0	R/W-0	R/W-0	R/W-0	R/W-0
—								
				INT4EP	INT3EP	INT2EP	INT1EP	INT0EP

Legend:

R = Readable bit W = Writable bit U = Unimplemented bit, read as '0'
 -n = Value at POR '1' = Bit is set '0' = Bit is cleared x = Bit is unknown

- bit 31-24 **NMIKEY<7:0>**: Software Generated NMI Key Register bits
 Software NMI event when the correct key (4Eh) is written.
 Software NMI event not generated when any other value (not the key) is written.
- bit 23-13 **Unimplemented**: Read as '0'
- bit 12 **MVEC**: Multi Vector Configuration bit
 1 = Interrupt controller configured for multi vectored mode
 0 = Interrupt controller configured for single vectored mode
- bit 11 **Unimplemented**: Read as '0'
- bit 10-8 **TPC<2:0>**: Interrupt Proximity Timer Control bits
 111 = Interrupts of group priority 7 or lower start the Interrupt Proximity timer
 110 = Interrupts of group priority 6 or lower start the Interrupt Proximity timer
 101 = Interrupts of group priority 5 or lower start the Interrupt Proximity timer
 100 = Interrupts of group priority 4 or lower start the Interrupt Proximity timer
 011 = Interrupts of group priority 3 or lower start the Interrupt Proximity timer
 010 = Interrupts of group priority 2 or lower start the Interrupt Proximity timer
 001 = Interrupts of group priority 1 start the Interrupt Proximity timer
 000 = Disables Interrupt Proximity timer
- bit 7-5 **Unimplemented**: Read as '0'
- bit 4 **INT4EP**: External Interrupt 4 Edge Polarity Control bit
 1 = Rising edge
 0 = Falling edge
- bit 3 **INT3EP**: External Interrupt 3 Edge Polarity Control bit
 1 = Rising edge
 0 = Falling edge
- bit 2 **INT2EP**: External Interrupt 2 Edge Polarity Control bit
 1 = Rising edge
 0 = Falling edge
- bit 1 **INT1EP**: External Interrupt 1 Edge Polarity Control bit
 1 = Rising edge
 0 = Falling edge
- bit 0 **INT0EP**: External Interrupt 0 Edge Polarity Control bit
 1 = Rising edge
 0 = Falling edge

PIC32MK MCA Family

REGISTER 7-2: PRIS: PRIORITY SHADOW SELECT REGISTER

Bit Range	Bit 31/23/15/7	Bit 30/22/14/6	Bit 29/21/13/5	Bit 28/20/12/4	Bit 27/19/11/3	Bit 26/18/10/2	Bit 25/17/9/1	Bit 24/16/8/0
31:24	R/W-0	R/W-0	R/W-0	R/W-0	R/W-0	R/W-0	R/W-0	R/W-0
	PRI7SS<3:0> ⁽¹⁾				PRI6SS<3:0> ⁽¹⁾			
23:16	R/W-0	R/W-0	R/W-0	R/W-0	R/W-0	R/W-0	R/W-0	R/W-0
	PRI5SS<3:0> ⁽¹⁾				PRI4SS<3:0> ⁽¹⁾			
15:8	R/W-0	R/W-0	R/W-0	R/W-0	R/W-0	R/W-0	R/W-0	R/W-0
	PRI3SS<3:0>				PRI2SS<3:0> ⁽¹⁾			
7:0	R/W-0	R/W-0	R/W-0	R/W-0	U-0	U-0	U-0	R/W-0
	PRI1SS<3:0> ⁽¹⁾				—	—	—	SS0

Legend:

R = Readable bit	W = Writable bit	U = Unimplemented bit, read as '0'
-n = Value at POR	'1' = Bit is set	'0' = Bit is cleared x = Bit is unknown

bit 31-28 **PRI7SS<3:0>**: Interrupt with Priority Level 7 Shadow Set bits⁽¹⁾

1xxx = Reserved (by default, an interrupt with a priority level of 7 uses Shadow Set 0)

•
•

0111 = Interrupt with a priority level of 7 uses Shadow Set 7

0110 = Interrupt with a priority level of 7 uses Shadow Set 6

•
•

0001 = Interrupt with a priority level of 7 uses Shadow Set 1

0000 = Interrupt with a priority level of 7 uses Shadow Set 0 (default)

bit 27-24 **PRI6SS<3:0>**: Interrupt with Priority Level 6 Shadow Set bits⁽¹⁾

1xxx = Reserved (by default, an interrupt with a priority level of 6 uses Shadow Set 0)

•
•

0111 = Interrupt with a priority level of 6 uses Shadow Set 7

0110 = Interrupt with a priority level of 6 uses Shadow Set 6

•
•

0001 = Interrupt with a priority level of 6 uses Shadow Set 1

0000 = Interrupt with a priority level of 6 uses Shadow Set 0 (default)

bit 23-20 **PRI5SS<3:0>**: Interrupt with Priority Level 5 Shadow Set bits⁽¹⁾

1xxx = Reserved (by default, an interrupt with a priority level of 5 uses Shadow Set 0)

•
•

0111 = Interrupt with a priority level of 5 uses Shadow Set 7

0110 = Interrupt with a priority level of 5 uses Shadow Set 6

•
•

0001 = Interrupt with a priority level of 5 uses Shadow Set 1

0000 = Interrupt with a priority level of 5 uses Shadow Set 0 (default)

Note 1: These bits are ignored if the MVEC bit (INTCON<12>) = 0.

PIC32MK MCA Family

REGISTER 7-2: PRIS: PRIORITY SHADOW SELECT REGISTER (CONTINUED)

- bit 19-16 **PRI4SS<3:0>**: Interrupt with Priority Level 4 Shadow Set bits⁽¹⁾
- 1xxx = Reserved (by default, an interrupt with a priority level of 4 uses Shadow Set 0)
 - .
 - .
 - 0111 = Interrupt with a priority level of 4 uses Shadow Set 7
 - 0110 = Interrupt with a priority level of 4 uses Shadow Set 6
 - .
 - .
 - 0001 = Interrupt with a priority level of 4 uses Shadow Set 1
 - 0000 = Interrupt with a priority level of 4 uses Shadow Set 0 (default)
- bit 15-12 **PRI3SS<3:0>**: Interrupt with Priority Level 3 Shadow Set bits⁽¹⁾
- 1xxx = Reserved (by default, an interrupt with a priority level of 3 uses Shadow Set 0)
 - .
 - .
 - 0111 = Interrupt with a priority level of 3 uses Shadow Set 7
 - 0110 = Interrupt with a priority level of 3 uses Shadow Set 6
 - .
 - .
 - 0001 = Interrupt with a priority level of 3 uses Shadow Set 1
 - 0000 = Interrupt with a priority level of 3 uses Shadow Set 0 (default)
- bit 11-8 **PRI2SS<3:0>**: Interrupt with Priority Level 2 Shadow Set bits⁽¹⁾
- 1xxx = Reserved (by default, an interrupt with a priority level of 2 uses Shadow Set 0)
 - .
 - .
 - 0111 = Interrupt with a priority level of 2 uses Shadow Set 7
 - 0110 = Interrupt with a priority level of 2 uses Shadow Set 6
 - .
 - .
 - 0001 = Interrupt with a priority level of 2 uses Shadow Set 1
 - 0000 = Interrupt with a priority level of 2 uses Shadow Set 0 (default)
- bit 7-4 **PRI1SS<3:0>**: Interrupt with Priority Level 1 Shadow Set bits⁽¹⁾
- 1xxx = Reserved (by default, an interrupt with a priority level of 1 uses Shadow Set 0)
 - .
 - .
 - 0111 = Interrupt with a priority level of 1 uses Shadow Set 7
 - 0110 = Interrupt with a priority level of 1 uses Shadow Set 6
 - .
 - .
 - 0001 = Interrupt with a priority level of 1 uses Shadow Set 1
 - 0000 = Interrupt with a priority level of 1 uses Shadow Set 0 (default)
- bit 3-1 **Unimplemented**: Read as '0'
- bit 0 **SS0**: Single Vector Shadow Register Set bit
- 1 = Single vector is presented with a shadow set
 - 0 = Single vector is not presented with a shadow set

Note 1: These bits are ignored if the MVEC bit (INTCON<12>) = 0.

PIC32MK MCA Family

REGISTER 7-3: INTSTAT: INTERRUPT STATUS REGISTER

Bit Range	Bit 31/23/15/7	Bit 30/22/14/6	Bit 29/21/13/5	Bit 28/20/12/4	Bit 27/19/11/3	Bit 26/18/10/2	Bit 25/17/9/1	Bit 24/16/8/0
31:24	U-0	U-0	U-0	U-0	U-0	U-0	U-0	U-0
	—	—	—	—	—	—	—	—
23:16	U-0	U-0	U-0	U-0	U-0	U-0	U-0	U-0
	—	—	—	—	—	—	—	—
15:8	U-0	U-0	U-0	U-0	U-0	R-0	R-0	R-0
	—	—	—	—	—	SRIPL<2:0>		
7:0	R-0	R-0	R-0	R-0	R-0	R-0	R-0	R-0
	SIRQ<7:0>							

Legend:

R = Readable bit
-n = Value at POR

W = Writable bit
'1' = Bit is set

U = Unimplemented bit, read as '0'
'0' = Bit is cleared
x = Bit is unknown

bit 31-11 **Unimplemented:** Read as '0'

bit 10-8 **SRIPL<2:0>**: Requested Priority Level bits for Single Vector Mode bits
111-000 = The priority level of the latest interrupt presented to the CPU

bit 7-6 **Unimplemented:** Read as '0'

bit 7-0 **SIRQ<7:0>**: Last Interrupt Request Serviced Status bits
11111111-00000000 = The last interrupt request number serviced by the CPU

REGISTER 7-4: IPTMR: INTERRUPT PROXIMITY TIMER REGISTER

Bit Range	Bit 31/23/15/7	Bit 30/22/14/6	Bit 29/21/13/5	Bit 28/20/12/4	Bit 27/19/11/3	Bit 26/18/10/2	Bit 25/17/9/1	Bit 24/16/8/0
31:24	R/W-0	R/W-0	R/W-0	R/W-0	R/W-0	R/W-0	R/W-0	R/W-0
	IPTMR<31:24>							
23:16	R/W-0	R/W-0	R/W-0	R/W-0	R/W-0	R/W-0	R/W-0	R/W-0
	IPTMR<23:16>							
15:8	R/W-0	R/W-0	R/W-0	R/W-0	R/W-0	R/W-0	R/W-0	R/W-0
	IPTMR<15:8>							
7:0	R/W-0	R/W-0	R/W-0	R/W-0	R/W-0	R/W-0	R/W-0	R/W-0
	IPTMR<7:0>							

Legend:

R = Readable bit
-n = Value at POR

W = Writable bit
'1' = Bit is set

U = Unimplemented bit, read as '0'
'0' = Bit is cleared
x = Bit is unknown

bit 31-0 **IPTMR<31:0>**: Interrupt Proximity Timer Reload bits
Used by the Interrupt Proximity Timer as a reload value when the Interrupt Proximity timer is triggered by an interrupt event.

PIC32MK MCA Family

REGISTER 7-5: IFSx: INTERRUPT FLAG STATUS REGISTER 'x' ('x' = 0-7)

Bit Range	Bit 31/23/15/7	Bit 30/22/14/6	Bit 29/21/13/5	Bit 28/20/12/4	Bit 27/19/11/3	Bit 26/18/10/2	Bit 25/17/9/1	Bit 24/16/8/0
31:24	R/W-0	R/W-0	R/W-0	R/W-0	R/W-0	R/W-0	R/W-0	R/W-0
	IFS31	IFS30	IFS29	IFS28	IFS27	IFS26	IFS25	IFS24
23:16	R/W-0	R/W-0	R/W-0	R/W-0	R/W-0	R/W-0	R/W-0	R/W-0
	IFS23	IFS22	IFS21	IFS20	IFS19	IFS18	IFS17	IFS16
15:8	R/W-0	R/W-0	R/W-0	R/W-0	R/W-0	R/W-0	R/W-0	R/W-0
	IFS15	IFS14	IFS13	IFS12	IFS11	IFS10	IFS9	IFS8
7:0	R/W-0	R/W-0	R/W-0	R/W-0	R/W-0	R/W-0	R/W-0	R/W-0
	IFS7	IFS6	IFS5	IFS4	IFS3	IFS2	IFS1	IFS0

Legend:

R = Readable bit W = Writable bit U = Unimplemented bit, read as '0'
 -n = Value at POR '1' = Bit is set '0' = Bit is cleared x = Bit is unknown

bit 31-0 **IFS31-IFS0**: Interrupt Flag Status bits
 1 = Interrupt request has occurred
 0 = No interrupt request has occurred

Note: This register represents a generic definition of the IFSx register. Refer to [Table 7-3](#) for the exact bit definitions.

REGISTER 7-6: IECx: INTERRUPT ENABLE CONTROL REGISTER 'x' ('x' = 0-7)

Bit Range	Bit 31/23/15/7	Bit 30/22/14/6	Bit 29/21/13/5	Bit 28/20/12/4	Bit 27/19/11/3	Bit 26/18/10/2	Bit 25/17/9/1	Bit 24/16/8/0
31:24	R/W-0	R/W-0	R/W-0	R/W-0	R/W-0	R/W-0	R/W-0	R/W-0
	IEC31	IEC30	IEC29	IEC28	IEC27	IEC26	IEC25	IEC24
23:16	R/W-0	R/W-0	R/W-0	R/W-0	R/W-0	R/W-0	R/W-0	R/W-0
	IEC23	IEC22	IEC21	IEC20	IEC19	IEC18	IEC17	IEC16
15:8	R/W-0	R/W-0	R/W-0	R/W-0	R/W-0	R/W-0	R/W-0	R/W-0
	IEC15	IEC14	IEC13	IEC12	IEC11	IEC10	IEC9	IEC8
7:0	R/W-0	R/W-0	R/W-0	R/W-0	R/W-0	R/W-0	R/W-0	R/W-0
	IEC7	IEC6	IEC5	IEC4	IEC3	IEC2	IEC1	IEC0

Legend:

R = Readable bit W = Writable bit U = Unimplemented bit, read as '0'
 -n = Value at POR '1' = Bit is set '0' = Bit is cleared x = Bit is unknown

bit 31-0 **IEC31-IEC0**: Interrupt Enable bits
 1 = Interrupt is enabled
 0 = Interrupt is disabled

Note: This register represents a generic definition of the IECx register. Refer to [Table 7-3](#) for the exact bit definitions.

PIC32MK MCA Family

REGISTER 7-7: IPCx: INTERRUPT PRIORITY CONTROL REGISTER 'x' ('x' = 0-63)

Bit Range	Bit 31/23/15/7	Bit 30/22/14/6	Bit 29/21/13/5	Bit 28/20/12/4	Bit 27/19/11/3	Bit 26/18/10/2	Bit 25/17/9/1	Bit 24/16/8/0
31:24	U-0	U-0	U-0	R/W-0	R/W-0	R/W-0	R/W-0	R/W-0
	—	—	—	IP3<2:0>			IS3<1:0>	
23:16	U-0	U-0	U-0	R/W-0	R/W-0	R/W-0	R/W-0	R/W-0
	—	—	—	IP2<2:0>			IS2<1:0>	
15:8	U-0	U-0	U-0	R/W-0	R/W-0	R/W-0	R/W-0	R/W-0
	—	—	—	IP1<2:0>			IS1<1:0>	
7:0	U-0	U-0	U-0	R/W-0	R/W-0	R/W-0	R/W-0	R/W-0
	—	—	—	IP0<2:0>			IS0<1:0>	

Legend:

R = Readable bit
-n = Value at POR

W = Writable bit
'1' = Bit is set

U = Unimplemented bit, read as '0'
'0' = Bit is cleared
x = Bit is unknown

bit 31-29 **Unimplemented:** Read as '0'

bit 28-26 **IP3<2:0>:** Interrupt Priority bits

111 = Interrupt priority is 7

•
•

010 = Interrupt priority is 2

001 = Interrupt priority is 1

000 = Interrupt is disabled

bit 25-24 **IS3<1:0>:** Interrupt Subpriority bits

11 = Interrupt subpriority is 3

10 = Interrupt subpriority is 2

01 = Interrupt subpriority is 1

00 = Interrupt subpriority is 0

bit 23-21 **Unimplemented:** Read as '0'

bit 20-18 **IP2<2:0>:** Interrupt Priority bits

111 = Interrupt priority is 7

•
•

010 = Interrupt priority is 2

001 = Interrupt priority is 1

000 = Interrupt is disabled

bit 17-16 **IS2<1:0>:** Interrupt Subpriority bits

11 = Interrupt subpriority is 3

10 = Interrupt subpriority is 2

01 = Interrupt subpriority is 1

00 = Interrupt subpriority is 0

bit 15-13 **Unimplemented:** Read as '0'

Note: This register represents a generic definition of the IPCx register. Refer to [Table 7-3](#) for the exact bit definitions.

PIC32MK MCA Family

REGISTER 7-7: IPCx: INTERRUPT PRIORITY CONTROL REGISTER 'x' ('x' = 0-63) (CONTINUED)

bit 12-10 **IP1<2:0>**: Interrupt Priority bits

111 = Interrupt priority is 7

.

.

010 = Interrupt priority is 2

001 = Interrupt priority is 1

000 = Interrupt is disabled

bit 9-8 **IS1<1:0>**: Interrupt Subpriority bits

11 = Interrupt subpriority is 3

10 = Interrupt subpriority is 2

01 = Interrupt subpriority is 1

00 = Interrupt subpriority is 0

bit 7-5 **Unimplemented**: Read as '0'

bit 4-2 **IP0<2:0>**: Interrupt Priority bits

111 = Interrupt priority is 7

.

.

010 = Interrupt priority is 2

001 = Interrupt priority is 1

000 = Interrupt is disabled

bit 1-0 **IS0<1:0>**: Interrupt Subpriority bits

11 = Interrupt subpriority is 3

10 = Interrupt subpriority is 2

01 = Interrupt subpriority is 1

00 = Interrupt subpriority is 0

Note: This register represents a generic definition of the IPCx register. Refer to [Table 7-3](#) for the exact bit definitions.

PIC32MK MCA Family

REGISTER 7-8: OFFx: INTERRUPT VECTOR ADDRESS OFFSET REGISTER (x = 0-190)

Bit Range	Bit 31/23/15/7	Bit 30/22/14/6	Bit 29/21/13/5	Bit 28/20/12/4	Bit 27/19/11/3	Bit 26/18/10/2	Bit 25/17/9/1	Bit 24/16/8/0
31:24	U-0	U-0	U-0	U-0	U-0	U-0	U-0	U-0
	—	—	—	—	—	—	—	—
23:16	U-0	U-0	U-0	U-0	U-0	U-0	R/W-0	R/W-0
	—	—	—	—	—	—	VOFF<17:16>	
15:8	R/W-0	R/W-0	R/W-0	R/W-0	R/W-0	R/W-0	R/W-0	R/W-0
	VOFF<15:8>							
7:0	R/W-0	R/W-0	R/W-0	R/W-0	R/W-0	R/W-0	R/W-0	U-0
	VOFF<7:1>							—

Legend:

R = Readable bit

W = Writable bit

U = Unimplemented bit, read as '0'

-n = Value at POR

'1' = Bit is set

'0' = Bit is cleared

x = Bit is unknown

bit 31-16 **Unimplemented:** Read as '0'

bit 17-1 **VOFF<17:1>:** Interrupt Vector 'x' Address Offset bits

bit 0 **Unimplemented:** Read as '0'

PIC32MK MCA Family

8.0 OSCILLATOR CONFIGURATION

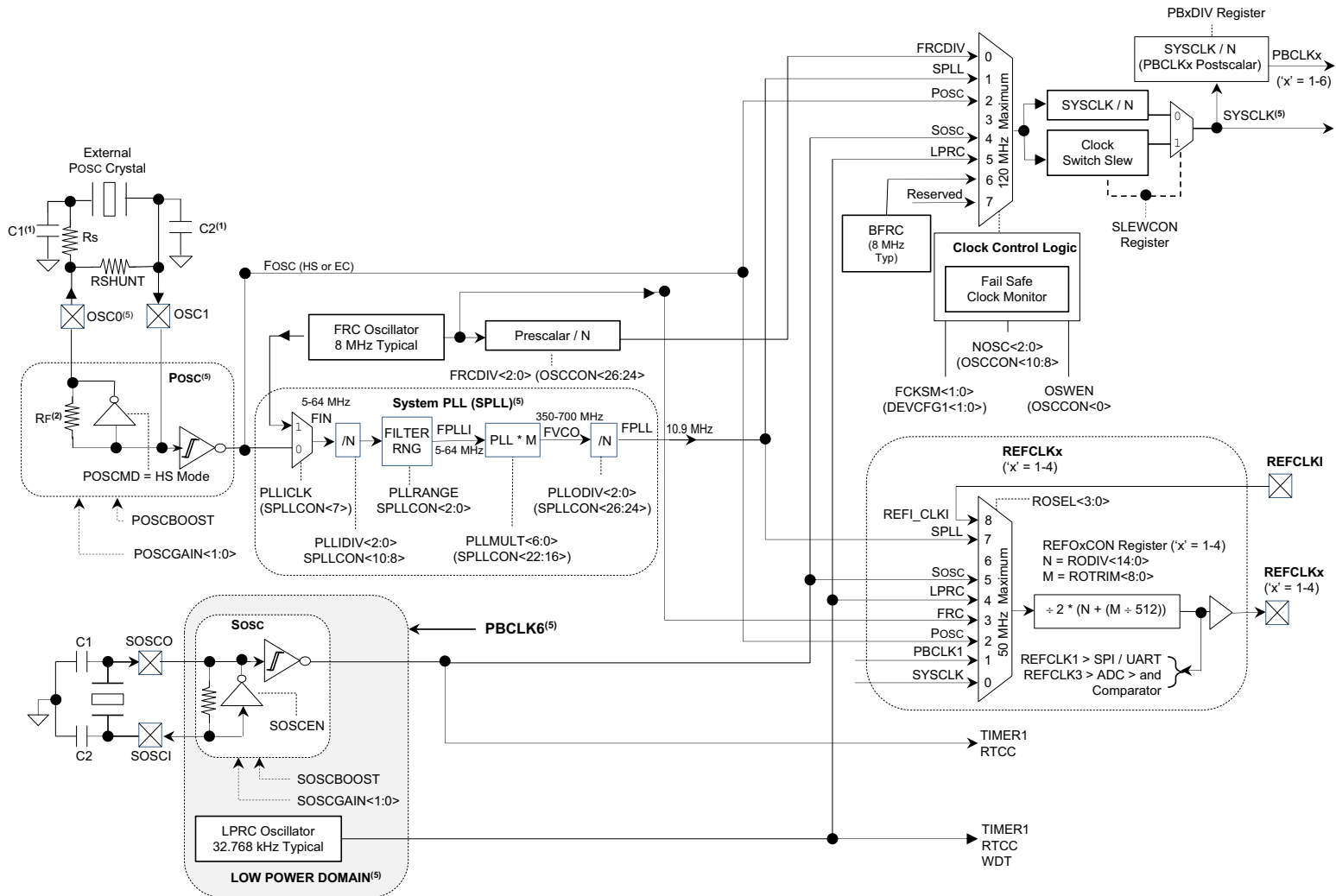
Note: This data sheet summarizes the features of the PIC32MK MCA Family of devices. It is not intended to be a comprehensive reference source. To complement the information in this data sheet, refer to **Section 42. “Oscillators with Enhanced PLL”** (DS60001250) in the *“PIC32 Family Reference Manual”*, which is available from the Microchip web site (www.microchip.com/PIC32).

The PIC32MK MCA Family oscillator system has the following modules and features:

- Five external and internal oscillator options as clock sources
- On-Chip PLL with user-selectable input divider, multiplier and output divider to boost operating frequency on select internal and external oscillator sources
- On-Chip user-selectable divisor postscaler on select oscillator sources
- Software-controllable switching between various clock sources
- A Fail-Safe Clock Monitor (FSCM) that detects clock failure and permits safe application recovery or shut-down with dedicated Backup FRC (BFRC)
- Flexible reference clock output
- Multiple clock branches for peripherals for better performance flexibility

A block diagram of the oscillator system is provided in [Figure 8-1](#). The clock distribution is shown in [Table 8-1](#).

FIGURE 8-1: PIC32MK MCA FAMILY OSCILLATOR DIAGRAM



- Note**
- 1: Refer to [2.0 "Guidelines for Getting Started with 32-bit MCUs"](#) for recommended external crystal component values and restrictions.
 - 2: The internal POSC feedback resistor, R_F , is typically in the range of 2 to 10 M.
 - 3: The maximum PBCLK6 clock rate to the peripherals in the Low power domain is 30 MHz. This is not the power-up default and must be configured by the user before attempting any access to those peripherals.
 - 4: Refer to [Table 35-16](#) in [35.0 "Electrical Characteristics"](#) for PBCLK6 frequency limitations.
 - 5: CLKO on OSC0 pin, if enabled in configuration word, available in EC & FRC mode is $PBCLK1 / 2$.

PIC32MK MCA Family

TABLE 8-1: SYSTEM AND PERIPHERAL CLOCK DISTRIBUTION

Peripheral	Clock Source													
	FRC	LPRC	SOSC	POSC	SYSCLK	SPLL	PBCLK1 ⁽¹⁾	PBCLK2	PBCLK4	PBCLK6	REFCLK01	REFCLK02	REFCLK03	REFCLK04
ADC0, ADC1, ADC7					X								X	
CFG PMD							X							
CLKO ⁽⁵⁾							X							
Comparator 1-3								X						
CPU	X	X	X	X	X	X								
CRU							X							
CTMU								X						
CDAC1								X						
DMA					X									
DMT							X							
EVIC					X									
Flash	X				X		X							
Input Capture 1-4								X						
ICD							X							
Output Compare 1-4								X						
Op amp 1-3								X						
PORTA-PORTD									X					
PPS							X			X	X	X	X	X
RTCC		X	X						X					
SPI1-SPI2								X		X				
SSX Control					X									
Timer1		X	X					X						
Timer2-Timer5								X						
UART1-UART2	X				X			X		X				
WDT		X					X							
CLC1								X						
HLVD							X							
I2C1-2								X						

- Note 1:** PBCLK1 is used by system modules and cannot be turned off.
Note 2: SYSCLK is used to fetch data from/to the Flash Controller, while the FRC clock is used for programming.
Note 3: Special Function Register (SFR) access only.
Note 4: Timer1 only.
Note 5: PBCLK1 divided by 2 is available on CLKO function pin on oscillator in EC or FRC mode.

8.1 Fail-Safe Clock Monitor (FSCM)

The PIC32MK MCA Family oscillator system includes a Fail-safe Clock Monitor (FSCM). The FSCM monitors the SYSCLK for continuous operation. If it detects that the SYSCLK has failed, it switches the SYSCLK over to the BFRC oscillator and triggers a NMI. When the NMI is executed, software can attempt to restart the main oscillator or shut down the system.

In Sleep mode both the SYSCLK and the FSCM halt, which prevents FSCM detection.

8.2 Oscillator Control Registers

TABLE 8-2: OSCILLATOR CONFIGURATION REGISTER MAP

Virtual Address (BF80_#)	Register Name	Bit Range	Bits															All Resets ⁽¹⁾			
			31/15	30/14	29/13	28/12	27/11	26/10	25/9	24/8	23/7	22/6	21/5	20/4	19/3	18/2	17/1		16/0		
1200	OSCCON	31:16	—	—	—	—	—	—	—	—	—	—	—	—	—	—	—	—	—	—	0xx0
		15:0	—	—	COSC<2:0>			—	—	—	—	—	—	—	—	—	—	—	—	—	—
1210	OSCTUN	31:16	—	—	—	—	—	—	—	—	—	—	—	—	—	—	—	—	—	—	0000
		15:0	—	—	—	—	—	—	—	—	—	—	—	—	—	TUN<5:0>			—	—	0020
1220	SPLLCON	31:16	—	—	—	—	—	—	—	—	—	—	—	—	—	—	—	—	—	—	0xxx
		15:0	—	—	—	—	—	—	—	—	—	—	—	—	—	—	—	—	—	—	—
1280	REFO1CON	31:16	—	—	—	—	—	—	—	—	—	—	—	—	—	—	—	—	—	—	0000
		15:0	ON	—	SIDL	OE	RSLP	—	DIVSWEN	ACTIVE	—	—	—	—	—	—	—	—	—	—	—
1290	REFO1TRIM	31:16	ROTRIM<8:0>															0000			
		15:0	—	—	—	—	—	—	—	—	—	—	—	—	—	—	—	—	—	—	—
12A0	REFO2CON	31:16	—	—	—	—	—	—	—	—	—	—	—	—	—	—	—	—	—	—	0000
		15:0	ON	—	SIDL	OE	RSLP	—	DIVSWEN	ACTIVE	—	—	—	—	—	—	—	—	—	—	—
12B0	REFO2TRIM	31:16	ROTRIM<8:0>															0000			
		15:0	—	—	—	—	—	—	—	—	—	—	—	—	—	—	—	—	—	—	—
12C0	REFO3CON	31:16	—	—	—	—	—	—	—	—	—	—	—	—	—	—	—	—	—	—	0000
		15:0	ON	—	SIDL	OE	RSLP	—	DIVSWEN	ACTIVE	—	—	—	—	—	—	—	—	—	—	—
12D0	REFO3TRIM	31:16	ROTRIM<8:0>															0000			
		15:0	—	—	—	—	—	—	—	—	—	—	—	—	—	—	—	—	—	—	—
12E0	REFO4CON	31:16	—	—	—	—	—	—	—	—	—	—	—	—	—	—	—	—	—	—	0000
		15:0	ON	—	SIDL	OE	RSLP	—	DIVSWEN	ACTIVE	—	—	—	—	—	—	—	—	—	—	—
12F0	REFO4TRIM	31:16	ROTRIM<8:0>															0000			
		15:0	—	—	—	—	—	—	—	—	—	—	—	—	—	—	—	—	—	—	—
1300	PB1DIV	31:16	—	—	—	—	—	—	—	—	—	—	—	—	—	—	—	—	—	—	0000
		15:0	—	—	—	—	—	PBDIVRDY	—	—	—	—	—	—	—	—	—	—	—	—	—
1310	PB2DIV	31:16	—	—	—	—	—	—	—	—	—	—	—	—	—	—	—	—	—	—	0000
		15:0	ON	—	—	—	—	PBDIVRDY	—	—	—	—	—	—	—	—	—	—	—	—	—
1330	PB4DIV	31:16	—	—	—	—	—	—	—	—	—	—	—	—	—	—	—	—	—	—	0000
		15:0	ON	—	—	—	—	PBDIVRDY	—	—	—	—	—	—	—	—	—	—	—	—	—
1340	PB5DIV	31:16	—	—	—	—	—	—	—	—	—	—	—	—	—	—	—	—	—	—	0000
		15:0	ON	—	—	—	—	PBDIVRDY	—	—	—	—	—	—	—	—	—	—	—	—	—
1350	PB6DIV ⁽²⁾	31:16	—	—	—	—	—	—	—	—	—	—	—	—	—	—	—	—	—	—	0000
		15:0	ON	—	—	—	—	PBDIVRDY	—	—	—	—	—	—	—	—	—	—	—	—	—
1380	SLEWCON	31:16	—	—	—	—	—	—	—	—	—	—	—	—	—	—	—	—	—	—	0000
		15:0	—	—	—	—	—	—	—	—	—	—	—	—	—	—	—	—	—	—	—

Legend: x = unknown value on Reset; — = unimplemented, read as '0'. Reset values are shown in hexadecimal.

- Note** 1: Reset values are dependent on the DEVCFGx Configuration bits and the type of reset.
 2: Refer to [Table 35-16](#) in [35.0 "Electrical Characteristics"](#) for PBCLK6 frequency limitations.

TABLE 8-2: OSCILLATOR CONFIGURATION REGISTER MAP (CONTINUED)

Virtual Address (BF80_#)	Register Name	Bit Range	Bits																All Resets ⁽¹⁾
			31/15	30/14	29/13	28/12	27/11	26/10	25/9	24/8	23/7	22/6	21/5	20/4	19/3	18/2	17/1	16/0	
1390	CLKSTAT	31:16	—	—	—	—	—	—	—	—	—	—	—	—	—	—	—	—	0000
		15:0	—	—	—	—	—	—	—	—	SPLLRDY	—	LPRCRDY	SOSCRDY	—	POSCRDY	—	FRCRDY	0000

Legend: x = unknown value on Reset; — = unimplemented, read as '0'. Reset values are shown in hexadecimal.

- Note 1:** Reset values are dependent on the DEVCFGx Configuration bits and the type of reset.
Note 2: Refer to [Table 35-16](#) in [35.0 “Electrical Characteristics”](#) for PBCLK6 frequency limitations.

PIC32MK MCA Family

REGISTER 8-1: OSCCON: OSCILLATOR CONTROL REGISTER

Bit Range	Bit 31/23/15/7	Bit 30/22/14/6	Bit 29/21/13/5	Bit 28/20/12/4	Bit 27/19/11/3	Bit 26/18/10/2	Bit 25/17/9/1	Bit 24/16/8/0
31:24	U-0	U-0	U-0	U-0	U-0	R/W-0	R/W-0	R/W-0
	—	—	—	—	—	FRCDIV<2:0>		
23:16	R/W-0	U-0	R/W-y	U-0	U-0	U-0	U-0	U-0
	DRMEN	—	SLP2SPD	—	—	—	—	—
15:8	U-0	R-0	R-0	R-0	U-0	R/W-y	R/W-y	R/W-y
	—	COSC<2:0>			—	NOSC<2:0>		
7:0	R/W-0	U-0	U-0	R/W-0	R/W-0, HS	U-0	R/W-y	R/W-y
	CLKLOCK	—	—	SLPEN	CF	—	SOSCEN	OSWEN ⁽¹⁾

Legend:	y = Value set from Configuration bits on POR	HS = Hardware Set
R = Readable bit	W = Writable bit	U = Unimplemented bit, read as '0'
-n = Value at POR	'1' = Bit is set	'0' = Bit is cleared
		x = Bit is unknown

bit 31-27 **Unimplemented:** Read as '0'

bit 26-24 **FRCDIV<2:0>:** Internal Fast RC (FRC) Oscillator Clock Divider bits

- 111 = FRC divided by 256
- 110 = FRC divided by 64
- 101 = FRC divided by 32
- 100 = FRC divided by 16
- 011 = FRC divided by 8
- 010 = FRC divided by 4
- 001 = FRC divided by 2
- 000 = FRC divided by 1 (default setting)

bit 23 **DRMEN:** Dream Mode Enable bit

- 1 = Dream mode is enabled
- 0 = Dream mode is disabled

bit 22 **Unimplemented:** Read as '0'

bit 21 **SLP2SPD:** Sleep Two-speed Start-up Control bit

- 1 = Use FRC as SYSCLK until the selected clock is ready
- 0 = Use the selected clock directly

bit 20-15 **Unimplemented:** Read as '0'

bit 14-12 **COSC<2:0>:** Current Oscillator Selection bits

- 111 = Reserved
- 110 = Backup Fast RC (BFRC) Oscillator
- 101 = Internal Low-Power RC (LPRC) Oscillator
- 100 = Secondary Oscillator (SOSC)
- 011 = Reserved
- 010 = Primary Oscillator (POSC) (HS or EC)
- 001 = System PLL (SPLL) input clock and divider set by SPLLCN
- 000 = Internal Fast RC (FRC) Oscillator divided by FRCDIV<2:0> bits (FRCDIV) supports FRN / N, where 'N' is 1, 2, 4, 8, 16, 32, 64, and 256

bit 11 **Unimplemented:** Read as '0'

Note 1: The reset value for this bit depends on the setting of the IESO bit (DEVCFG1<7>). When IESO = 1, the reset value is '1'. When IESO = 0, the reset value is '0'.

Note: Writes to this register require an unlock sequence. Refer to **Section 42. "Oscillators with Enhanced PLL"** (DS60001250) in the "PIC32 Family Reference Manual" for details.

REGISTER 8-1: OSCCON: OSCILLATOR CONTROL REGISTER (CONTINUED)

bit 10-8 **NOSC<2:0>**: New Oscillator Selection bits

111 = Reserved

110 = Backup Fast RC (BFRC) Oscillator

101 = Internal Low-Power RC (LPRC) Oscillator

100 = Secondary Oscillator (Sosc)

011 = Reserved

010 = Primary Oscillator (Posc) (HS or EC)

001 = System PLL (SPLL) input clock and divider set by SPLLCON

000 = Internal Fast RC (FRC) Oscillator divided by FRCDIV<2:0> bits (FRCDIV) supports FRN/N, where N is 1, 2, 4, 8, 16, 32, 64, and 256

On Reset, these bits are set to the value of the FNOSC<2:0> Configuration bits (DEVCFG1<2:0>).

bit 7 **CLKLOCK**: Clock Selection Lock Enable bit

If clock switching and monitoring is disabled (FCKSM<1:0> = 1x):

1 = Clock and PLL selections are locked

0 = Clock and PLL selections are not locked and may be modified

If clock switching and monitoring is enabled (FCKSM<1:0> = 0x):

Clock and PLL selections are never locked and may be modified.

Note: Setting the OSCCON<CLKLOCK>=1 locks OSCCON[PLLODIV, FRCDIV, PLLMULT, NOSC, CLKLOCK, SLPEN, UFRcen, SOScen and OSWEN], SPLLCON, OSCTUN, and PBxDIV Registers if DEVCFG1<FCKSM> = x1, (i.e. Clock switching disabled). This is a hard lock and CANNOT be undone in software after being set. Requires a system reset to undo. CLKLOCK is not a configuration word bit but is superseded if DEVCFG1<FCKSM> = 0x, (i.e. Clock switching enabled). OSCCON<CLKLOCK>=1 or DEVCFG1<FCKSM> = x1, (i.e. Clock switching disabled) although a barrier to user software clock switching or clock control in general has NO EFFECT on two speed hardware clock switch DEVCFG1<IESO> = 1: Internal External Switchover mode is enabled (Two-Speed Start-up is enabled, FRC hardware clock switch to clock source defined by DEVCFG1<FNOSC>).

bit 6-5 **Unimplemented**: Read as '0'

bit 4 **SLPEN**: Sleep Mode Enable bit

1 = Device will enter Sleep mode when a WAIT instruction is executed

0 = Device will enter Idle mode when a WAIT instruction is executed

bit 3 **CF**: Clock Fail Detect bit

1 = FSCM has detected a clock failure

0 = No clock failure has been detected

Note: On a clock fail event if enabled by the FCKSM<1:0> bits (DEVCFG1<15:14>) = '0b11', this bit and the RNMICON<CF> bit will be set. The user software must clear both the bits inside the CF NMI before attempting to exit the ISR. Software or hardware settings of the CF bit (OSCCON<3>) will cause a CF NMI event and an automatic clock switch to the FRC provided the FCKSM<1:0> = '0b11'. Unlike the CF bit (OSCCON<3>), software or hardware settings of the CF bit (RNMICON<17>) will cause a CF NMI event but will not cause a clock switch to the FRC. After a Clock Fail event, a successful user software clock switch if implemented, hardware will automatically clear the CF bit (RNMICON<17>), but not the CF bit (OSCCON<3>). The CF bit (OSCCON<3>) must be cleared by software using the OSCCON register unlock procedure.

bit 2 **Reserved**

bit 1 **SOScen**: Secondary Oscillator (Sosc) Enable bit

1 = Enable Secondary Oscillator

0 = Disable Secondary Oscillator

Note 1: The reset value for this bit depends on the setting of the IESO bit (DEVCFG1<7>). When IESO = 1, the reset value is '1'. When IESO = 0, the reset value is '0'.

Note: Writes to this register require an unlock sequence. Refer to **Section 42. "Oscillators with Enhanced PLL"** (DS60001250) in the "PIC32 Family Reference Manual" for details.

PIC32MK MCA Family

REGISTER 8-1: OSCCON: OSCILLATOR CONTROL REGISTER (CONTINUED)

bit 0 **OSWEN:** Oscillator Switch Enable bit⁽¹⁾
1 = Initiate an oscillator switch to selection specified by NOSC<2:0> bits
0 = Oscillator switch is complete

Note 1: The reset value for this bit depends on the setting of the IESO bit (DEVCFG1<7>). When IESO = 1, the reset value is '1'. When IESO = 0, the reset value is '0'.

Note: Writes to this register require an unlock sequence. Refer to **Section 42. "Oscillators with Enhanced PLL"** (DS60001250) in the *"PIC32 Family Reference Manual"* for details.

PIC32MK MCA Family

REGISTER 8-2: OSCTUN: FRC TUNING REGISTER

Bit Range	Bit 31/23/15/7	Bit 30/22/14/6	Bit 29/21/13/5	Bit 28/20/12/4	Bit 27/19/11/3	Bit 26/18/10/2	Bit 25/17/9/1	Bit 24/16/8/0
31:24	U-0	U-0	U-0	U-0	U-0	U-0	U-0	U-0
	—	—	—	—	—	—	—	—
23:16	U-0	R-0	U-0	U-0	U-0	U-0	U-0	U-0
	—	—	—	—	—	—	—	—
15:8	U-0	R-0	U-0	U-0	U-0	U-0	U-0	U-0
	—	—	—	—	—	—	—	—
7:0	U-0	U-0	R/W-0	R/W-0	R/W-0	R/W-0	R/W-0	R/W-0
	—	—	TUN<5:0> ⁽¹⁾					

Legend:

R = Readable bit

W = Writable bit

U = Unimplemented bit, read as '0'

-n = Value at POR

'1' = Bit is set

'0' = Bit is cleared

x = Bit is unknown

bit 31-6 **Unimplemented:** Read as '0'

bit 5-0 **TUN<5:0>:** FRC Oscillator Tuning bits⁽¹⁾

111111 = +1.453%

•

•

•

100000 = 0.000% (Nominal Center Frequency, default)

•

•

•

000000 = -1.500%

Note 1: OSCTUN functionality has been provided to help customers compensate for temperature effects on the FRC frequency over a wide range of temperatures. The tuning step size is an approximation, and is neither characterized nor tested.

Note: Writes to this register require an unlock sequence. Refer to the **Section 42. "Oscillators with Enhanced PLL"** (DS60001250) in the *"PIC32 Family Reference Manual"* for details.

PIC32MK MCA Family

REGISTER 8-3: SPLLCON: SYSTEM PLL CONTROL REGISTER

Bit Range	Bit 31/23/15/7	Bit 30/22/14/6	Bit 29/21/13/5	Bit 28/20/12/4	Bit 27/19/11/3	Bit 26/18/10/2	Bit 25/17/9/1	Bit 24/16/8/0
31:24	U-0	U-0	U-0	U-0	U-0	R/W-y	R/W-y	R/W-y
	—	—	—	—	—	PLLODIV<2:0>		
23:16	U-0	R/W-y	R/W-y	R/W-y	R/W-y	R/W-y	R/W-y	R/W-y
	—	PLLMULT<6:0>						
15:8	U-0	U-0	U-0	U-0	U-0	R/W-y	R/W-y	R/W-y
	—	PLLIDIV<2:0>						
7:0	R/W-y	U-0	U-0	U-0	U-0	R/W-y	R/W-y	R/W-y
	PLLICK	—	—	—	—	PLLRANGE<2:0>		

Legend:	y = Value set from Configuration bits on POR
R = Readable bit	W = Writable bit U = Unimplemented bit, read as '0'
-n = Value at POR	'1' = Bit is set '0' = Bit is cleared x = Bit is unknown

bit 31-27 **Unimplemented:** Read as '0'

bit 26-24 **PLLODIV<2:0>:** System PLL Output Clock Divider bits

- 111 = Reserved
- 110 = Reserved
- 101 = PLL Divide by 32
- 100 = PLL Divide by 16
- 011 = PLL Divide by 8
- 010 = PLL Divide by 4
- 001 = PLL Divide by 2
- 000 = Reserved

The default setting is specified by the FPLLODIV<2:0> Configuration bits in the DEVCFG2 register. Refer to [Register 31-5](#) in **31.0 "Special Features"** for information.

bit 23 **Unimplemented:** Read as '0'

bit 22-16 **PLLMULT<6:0>:** System PLL Multiplier bits

- 1111111 = Multiply by 128
- 1111110 = Multiply by 127
- 1111101 = Multiply by 126
- 1111100 = Multiply by 125
- .
- .
- .
- 0000000 = Multiply by 1

The default setting is specified by the FPLLMULT<6:0> Configuration bits in the DEVCFG2 register. Refer to [Register 31-5](#) in **31.0 "Special Features"** for information.

bit 15-11 **Unimplemented:** Read as '0'

Note 1: Writes to this register require an unlock sequence. Refer to **Section 42. "Oscillators with Enhanced PLL"** (DS60001250) in the *"PIC32 Family Reference Manual"* for details.

2: Writes to this register are not allowed if the SPLLC is selected as a clock source (COSCC<2:0> = 001).

3: While the PLL is active, and if updating the PLL bits in the OSCCON register at run-time, the user application must remain within the following limits at all times for all nodes in the PLL clock tree. Therefore, the order in which the PLL values may be modified, (i.e., PLLODIV, PLLMULT, PLLODIV) becomes important. Failure to maintain PLL nodes within minimum/maximum ranges may result in unstable PLL and system behavior.

- Output and input to PLLIDIV block (i.e., FPLLI) 5 MHz to 64 MHz (min/max at all times)
- VCO output, (i.e., FVCO) 350 MHz to 700 MHz (min/max at all times)
- Output of PLLODIV, (i.e., FPLL) 10.9 MHz to 120 MHz (min/max at all times)

REGISTER 8-3: SPLLCON: SYSTEM PLL CONTROL REGISTER (CONTINUED)

bit 10-8 **PLLIDIV<2:0>**: System PLL Input Clock Divider bits

- 111 = Divide by 8
- 110 = Divide by 7
- 101 = Divide by 6
- 100 = Divide by 5
- 011 = Divide by 4
- 010 = Divide by 3
- 001 = Divide by 2
- 000 = Divide by 1

The default setting is specified by the FPLLIDIV<2:0> Configuration bits in the DEVCFG2 register. Refer to [Register 31-5](#) in **31.0 “Special Features”** for information. If the PLLICLK is set for FRC, this setting is ignored by the PLL and the divider is set to Divide-by-1.

bit 7 **PLLICLK**: System PLL Input Clock Source bit

- 1 = FRC is selected as the input to the System PLL
- 0 = POSC is selected as the input to the System PLL

The POR default is specified by the FPLLICLK Configuration bit in the DEVCFG2 register. Refer to [Register 31-5](#) in **31.0 “Special Features”** for information.

bit 6-3 **Unimplemented**: Read as ‘0’

bit 2-0 **PLLRANGE<2:0>**: System PLL Frequency Range Selection bits

- 111 = Reserved
- 110 = 54-64 MHz
- 101 = 34-64 MHz
- 100 = 21-42 MHz
- 011 = 13-26 MHz
- 010 = 8-16 MHz
- 001 = 5-10 MHz
- 000 = Bypass

Use the highest filter range that covers the input freq to the VCO multiplier block that corresponds to the PLLIDIV output freq to minimize PLL system jitter (see [Figure 8-1](#)). For example, Crystal = 20 MHz, PLLIDIV<2:0> = 0b1; therefore, the filter input frequency is equal to 10 MHz, and therefore, PLLRANGE<2:0> = 0b010. The default setting is specified by the FPLLRNG<2:0> Configuration bits in the DEVCFG2 register. Refer to [Register 31-5](#) in **31.0 “Special Features”** for information.

Note 1: Writes to this register require an unlock sequence. Refer to **Section 42. “Oscillators with Enhanced PLL”** (DS60001250) in the *“PIC32 Family Reference Manual”* for details.

2: Writes to this register are not allowed if the SPLLC is selected as a clock source (COSCC<2:0> = 001).

3: While the PLL is active, and if updating the PLL bits in the OSCCON register at run-time, the user application must remain within the following limits at all times for all nodes in the PLL clock tree. Therefore, the order in which the PLL values may be modified, (i.e., PLLMULT, PLLIDIV) becomes important. Failure to maintain PLL nodes within minimum/maximum ranges may result in unstable PLL and system behavior.

- Output and input to PLLIDIV block (i.e., FPLLI) 5 MHz to 64 MHz (min/max at all times)
- VCO output, (i.e., FVCO) 350 MHz to 700 MHz (min/max at all times)
- Output of PLLIDIV, (i.e., FPLL) 10.9 MHz to 120 MHz (min/max at all times)

PIC32MK MCA Family

REGISTER 8-4: REFOxCON: REFERENCE OSCILLATOR CONTROL REGISTER ('x' = 1-4)

Bit Range	Bit 31/23/15/7	Bit 30/22/14/6	Bit 29/21/13/5	Bit 28/20/12/4	Bit 27/19/11/3	Bit 26/18/10/2	Bit 25/17/9/1	Bit 24/16/8/0
31:24	U-0 —	R/W-0	R/W-0	R/W-0	R/W-0	R/W-0	R/W-0	R/W-0
RODIV<14:8>								
23:16	R/W-0	R/W-0	R/W-0	R/W-0	R/W-0	R/W-0	R/W-0	R/W-0
RODIV<7:0>								
15:8	R/W-0 ON ⁽¹⁾	U-0 —	R/W-0 SIDL	R/W-0 OE	R/W-0 RSLP ⁽²⁾	U-0 —	R/W-0, HC DIVSWEN	R-0, HS, HC ACTIVE ⁽¹⁾
7:0	U-0 —	U-0 —	U-0 —	U-0 —	R/W-0	R/W-0	R/W-0	R/W-0 ROSEL<3:0> ⁽³⁾

Legend:	HC = Hardware Cleared	HS = Hardware Set
R = Readable bit	W = Writable bit	U = Unimplemented bit, read as '0'
-n = Value at POR	'1' = Bit is set	'0' = Bit is cleared x = Bit is unknown

bit 31 **Unimplemented:** Read as '0'

bit 30-16 **RODIV<14:0>** Reference Clock Divider bits
The value selects the reference clock divider bits (see [Figure 8-1](#) for details). A value of '0' selects no divider.

bit 15 **ON:** Output Enable bit⁽¹⁾
1 = Reference Oscillator Module enabled
0 = Reference Oscillator Module disabled

bit 14 **Unimplemented:** Read as '0'

bit 13 **SIDL:** Peripheral Stop in Idle Mode bit
1 = Discontinue module operation when the device enters Idle mode
0 = Continue module operation in Idle mode

bit 12 **OE:** Reference Clock Output Enable bit
1 = Reference clock is driven out on REFCLKOx pin
0 = Reference clock is not driven out on REFCLKOx pin

bit 11 **RSLP:** Reference Oscillator Module Run in Sleep bit⁽²⁾
1 = Reference Oscillator Module output continues to run in Sleep
0 = Reference Oscillator Module output is disabled in Sleep

bit 10 **Unimplemented:** Read as '0'

bit 9 **DIVSWEN:** Divider Switch Enable bit
1 = Divider switch is in progress
0 = Divider switch is complete

bit 8 **ACTIVE:** Reference Clock Request Status bit⁽¹⁾
1 = Reference clock request is active
0 = Reference clock request is not active

bit 7-4 **Unimplemented:** Read as '0'

- Note 1:** Do not write to this register when the ON bit is not equal to the ACTIVE bit.
Note 2: This bit is ignored when the ROSEL<3:0> bits = 0000 or 0001.
Note 3: The ROSEL<3:0> bits should not be written while the ACTIVE bit is '1', as undefined behavior may result.
Note 4: REFOx pin output freq = (ROSEL, Reference Clock Source Freq / (2 * (RODIV + (ROTRIM / 512)))
Note 5: For REFOx resulting frequencies that constitute a fractional result, the circuit will produce an average clock rate, meaning that the circuit will steal cycles from the input clock source such that the REFOx clock output over a period of cycles will average out to the desired frequency. For this reason, unless the resulting clock output is a whole integer value, it is not recommend for use as a clock source for ADC or asynchronous peripherals such as UART do to the resulting jitter and clock rate uncertainty.

REGISTER 8-4: REFOxCON: REFERENCE OSCILLATOR CONTROL REGISTER ('x' = 1-4)

bit 3-0 **ROSEL<3:0>**: Reference Clock Source Select bits⁽³⁾

1111 = Reserved

•
•
•

1001 = Reserved

1000 = REFCLKI

0111 = SPLL

0110 = Reserved

0101 = Sosc

0100 = LPRC

0011 = FRC

0010 = Posc

0001 = PBCLK1

0000 = SYSCLK

- Note 1:** Do not write to this register when the ON bit is not equal to the ACTIVE bit.
- 2:** This bit is ignored when the ROSEL<3:0> bits = 0000 or 0001.
- 3:** The ROSEL<3:0> bits should not be written while the ACTIVE bit is '1', as undefined behavior may result.
- 4:** REFOx pin output freq = (ROSEL, Reference Clock Source Freq / (2 * (RODIV + (ROTRIM / 512)))
- 5:** For REFOx resulting frequencies that constitute a fractional result, the circuit will produce an average clock rate, meaning that the circuit will steal cycles from the input clock source such that the REFOx clock output over a period of cycles will average out to the desired frequency. For this reason, unless the resulting clock output is a whole integer value, it is not recommend for use as a clock source for ADC or asynchronous peripherals such as UART do to the resulting jitter and clock rate uncertainty.

PIC32MK MCA Family

REGISTER 8-6: PBxDIV: PERIPHERAL BUS 'x' CLOCK DIVISOR CONTROL REGISTER ('x' = 1-5, 6)

Bit Range	Bit 31/23/15/7	Bit 30/22/14/6	Bit 29/21/13/5	Bit 28/20/12/4	Bit 27/19/11/3	Bit 26/18/10/2	Bit 25/17/9/1	Bit 24/16/8/0
31:24	U-0	U-0	U-0	U-0	U-0	U-0	U-0	U-0
	—	—	—	—	—	—	—	—
23:16	U-0	U-0	U-0	U-0	U-0	U-0	U-0	U-0
	—	—	—	—	—	—	—	—
15:8	R/W-1	U-0	U-0	U-0	R-1	U-0	U-0	U-0
	ON ⁽¹⁾	—	—	—	PBDIVRDY	—	—	—
7:0	U-0	R/W-0	R/W-0	R/W-0	R/W-0	R/W-0	R/W-0	R/W-1 ⁽²⁾
	—	PBDIV<6:0>						

Legend:

R = Readable bit

W = Writable bit

U = Unimplemented bit, read as '0'

-n = Value at POR

'1' = Bit is set

'0' = Bit is cleared

x = Bit is unknown

bit 31-16 **Unimplemented:** Read as '0'

bit 15 **ON:** Peripheral Bus 'x' Output Clock Enable bit⁽¹⁾

1 = Output clock is enabled

0 = Output clock is disabled

bit 14-12 **Unimplemented:** Read as '0'

bit 11 **PBDIVRDY:** Peripheral Bus 'x' Clock Divisor Ready bit

1 = Clock divisor logic is not switching divisors and the PBxDIV<6:0> bits may be written

0 = Clock divisor logic is currently switching values and the PBxDIV<6:0> bits cannot be written

bit 10-7 **Unimplemented:** Read as '0'

bit 6-0 **PBDIV<6:0>:** Peripheral Bus 'x' Clock Divisor Control bits

1111111 = PBCLKx is SYSCLK divided by 128

1111110 = PBCLKx is SYSCLK divided by 127

•
•
•

0000011 = PBCLKx is SYSCLK divided by 4 (default value for x = 6)

0000010 = PBCLKx is SYSCLK divided by 3

0000001 = PBCLKx is SYSCLK divided by 2 (default value for x < 6)

0000000 = PBCLKx is SYSCLK divided by 1 (default value for x = 7)

Note 1: The clock for Peripheral Bus 1 and Peripheral Bus 7 cannot be turned off. Therefore, the ON bit in the PB1DIV register and the PB7DIV register cannot be written as a '0'.

2: The default value for CPU clock PB7DIV Lsb = 0, where PB7CLK = SYSCLK (PB7DIV is read-only).

REF0x pin output freq = (ROSEL, Reference Clock Source Freq / (2 * (RODIV + (ROTRIM / 512)))

Note: Writes to this register require an unlock sequence. Refer to **Section 42. "Oscillators with Enhanced PLL"** (DS60001250) in the "PIC32 Family Reference Manual" for details.

Note: For REF0x resulting frequencies that constitute a fractional result, the circuit will produce an average clock rate, meaning that the circuit will steal cycles from the input clock source such that the REF0x clock output over a period of cycles will average out to the desired frequency. For this reason, unless the resulting clock output is a whole integer value, it is not recommended for use as a clock source for ADC or asynchronous peripherals, such as UART do to the resulting jitter and clock rate uncertainty.

PIC32MK MCA Family

REGISTER 8-7: SLEWCON: OSCILLATOR SLEW CONTROL REGISTER

Bit Range	Bit 31/23/15/7	Bit 30/22/14/6	Bit 29/21/13/5	Bit 28/20/12/4	Bit 27/19/11/3	Bit 26/18/10/2	Bit 25/17/9/1	Bit 24/16/8/0
31:24	U-0	U-0	U-0	U-0	U-0	U-0	U-0	U-0
	—	—	—	—	—	—	—	—
23:16	U-0	U-0	U-0	U-0	R/W-0	R/W-0	R/W-0	R/W-0
	—	—	—	—	SYSDIV<3:0> ⁽¹⁾			
15:8	U-0	U-0	U-0	U-0	U-0	R/W-0	R/W-0	R/W-0
	—	—	—	—	SLWDIV<2:0>			
7:0	U-0	U-0	U-0	U-0	U-0	R/W-1	R/W-0	R-0, HS, HC
	—	—	—	—	—	UPEN	DNEN	BUSY

Legend:	HC = Hardware Cleared	HS = Hardware Set
R = Readable bit	W = Writable bit	U = Unimplemented bit, read as '0'
-n = Value at POR	'1' = Bit is set	'0' = Bit is cleared x = Bit is unknown

bit 31-20 **Unimplemented:** Read as '0'

bit 19-16 **SYSDIV<3:0>**: System Clock Divide Control bits⁽¹⁾

1111 = SYSCLK is divided by 16

1110 = SYSCLK is divided by 15

⋮

⋮

0010 = SYSCLK is divided by 3

0001 = SYSCLK is divided by 2

0000 = SYSCLK is not divided

bit 15-11 **Unimplemented:** Read as '0'

bit 10-8 **SLWDIV<2:0>**: Slew Divisor Steps Control bits

These bits control the maximum division steps used when slewing during a frequency change.

111 = Steps are divide by 128, 64, 32, 16, 8, 4, 2, and then no divisor

110 = Steps are divide by 64, 32, 16, 8, 4, 2, and then no divisor

101 = Steps are divide by 32, 16, 8, 4, 2, and then no divisor

100 = Steps are divide by 16, 8, 4, 2, and then no divisor

011 = Steps are divide by 8, 4, 2, and then no divisor

010 = Steps are divide by 4, 2, and then no divisor

001 = Steps are divide by 2, and then no divisor

000 = No divisor is used during slewing

The steps apply in reverse order (i.e., 2, 4, 8, etc.) during a downward frequency change.

bit 7-3 **Unimplemented:** Read as '0'

bit 2 **UPEN:** Upward Slew Enable bit

1 = Slewing enabled for switching to a higher frequency

0 = Slewing disabled for switching to a higher frequency

bit 1 **DNEN:** Downward Slew Enable bit

1 = Slewing enabled for switching to a lower frequency

0 = Slewing disabled for switching to a lower frequency

bit 0 **BUSY:** Clock Switching Slewing Active Status bit

1 = Clock frequency is being actively slewed to the new frequency

0 = Clock switch has reached its final value

Note 1: The SYSDIV<3:0> bit settings are ignored if both UPEN and DNEN = 0, and SYSCLK will be divided by 1.

PIC32MK MCA Family

REGISTER 8-8: CLKSTAT: OSCILLATOR CLOCK STATUS REGISTER

Bit Range	Bit 31/23/15/7	Bit 30/22/14/6	Bit 29/21/13/5	Bit 28/20/12/4	Bit 27/19/11/3	Bit 26/18/10/2	Bit 25/17/9/1	Bit 24/16/8/0
31:24	U-0	U-0	U-0	U-0	U-0	U-0	U-0	U-0
	—	—	—	—	—	—	—	—
23:16	U-0	U-0	U-0	U-0	U-0	U-0	U-0	U-0
	—	—	—	—	—	—	—	—
15:8	U-0	U-0	U-0	U-0	U-0	U-0	U-0	U-0
	—	—	—	—	—	—	—	—
7:0	R-0	U-0	R-0	R-0	U-0	R-0	U-0	R-0
	SPLLRDY	—	LPRCRDY	SOSCRDY	—	POSCRDY	—	FRCRDY

Legend:

R = Readable bit W = Writable bit U = Unimplemented bit, read as '0'
 -n = Value at POR '1' = Bit is set '0' = Bit is cleared x = Bit is unknown

- bit 31-8 **Unimplemented:** Read as '0'
- bit 7 **SPLLRDY:** System PLL (SPLL) Ready Status bit
 1 = SPLL is ready
 0 = SPLL is not ready
- bit 5 **LPRCRDY:** Low-Power RC (LPRC) Oscillator Ready Status bit
 1 = LPRC is stable and ready
 0 = LPRC is disabled or not operating
- bit 4 **SOSCRDY:** Secondary Oscillator (Sosc) Ready Status bit
 1 = Sosc is stable and ready
 0 = Sosc is disabled or not operating
- bit 3 **Unimplemented:** Read as '0'
- bit 2 **POSCRDY:** Primary Oscillator (Posc) Ready Status bit
 1 = Posc is stable and ready
 0 = Posc is disabled or not operating
- bit 1 **Unimplemented:** Read as '0'
- bit 0 **FRCRDY:** Fast RC (FRC) Oscillator Ready Status bit
 1 = FRC is stable and ready
 0 = FRC is disabled for not operating

PIC32MK MCA Family

NOTES:

9.0 PREFETCH MODULE

Note: This data sheet summarizes the features of the PIC32MK MCA Family of devices. It is not intended to be a comprehensive reference source. To complement the information in this data sheet, refer to **Section 4. “Prefetch Cache Module”** (DS60001119), which is available from the *Documentation > Reference Manual* section of the Microchip PIC32 web site (www.microchip.com/pic32).

The Prefetch module is a performance enhancing module that is included in the PIC32MK MCA Family of devices. When running at high-clock rates, Wait states must be inserted into Program Flash Memory (PFM) read transactions to meet the access time of the PFM. Wait states can be hidden to the core by prefetching and storing instructions in a temporary holding area that the CPU can access quickly. Although the data path to the CPU is 32 bits wide, the data path to the PFM is 128 bits wide. This wide data path provides the same bandwidth to the CPU as a 32-bit path running at four times the frequency.

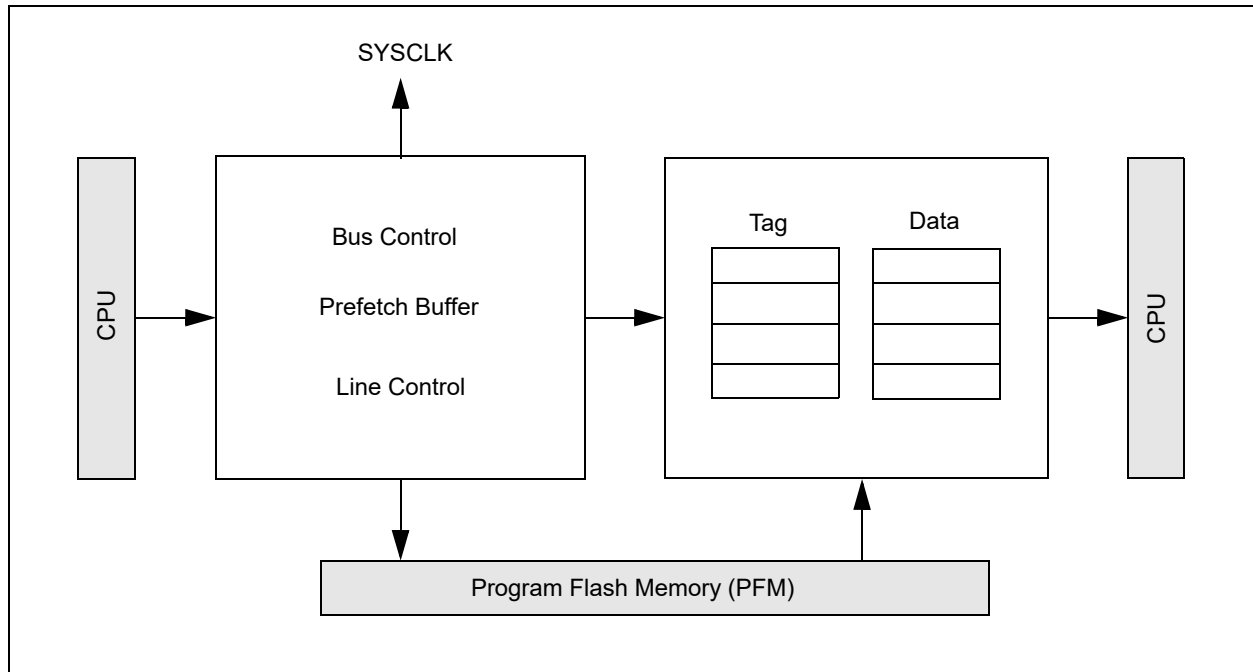
The Prefetch module holds a subset of PFM in temporary holding spaces known as lines. Each line contains a tag and data field. Normally, the lines hold a copy of what is currently in memory to make instructions or data available to the CPU without Flash Wait states.

9.1 Prefetch Cache Features

- 36x16 byte fully-associative lines
- 16 lines for CPU instructions
- Four lines for CPU data
- Four lines for peripheral data
- 16-byte parallel memory fetch
- Configurable predictive prefetch

A simplified block diagram of the Prefetch module is shown in [Figure 9-1](#).

FIGURE 9-1: PREFETCH MODULE BLOCK DIAGRAM



9.2 Prefetch Control Registers

TABLE 9-1: PREFETCH REGISTER MAP

Virtual Address (BF80_#)	Register Name ⁽¹⁾	Bit Range	Bits																All Resets
			31/15	30/14	29/13	28/12	27/11	26/10	25/9	24/8	23/7	22/6	21/5	20/4	19/3	18/2	17/1	16/0	
0800	CHECON	31:16	—	—	—	—	—	PERCHEEN	DCHEEN	ICHEEN	—	PERCHEINV	DCHEINV	ICHEINV	—	PERCHECOH	DCHECOH	ICHECOH	0700
		15:0	—	—	—	CHEPERFEN	—	—	—	PFM AWSEN	—	—	PREFEN<1:0>			PFMWS<2:0>			0107
0820	CHEHIT	31:16	CHEHIT<31:16>																0000
		15:0	CHEHIT<15:0>																0000
0830	CHEMIS	31:16	CHEMIS<31:16>																0000
		15:0	CHEMIS<15:0>																0000

Legend: x = unknown value on Reset, — = unimplemented, read as '0'. Reset values are shown in hexadecimal.

Note 1: All registers in this table have corresponding CLR, SET, and INV registers at its virtual address, plus an offset of 0x4, 0x8, and 0xC, respectively. See [11.2 “CLR, SET, and INV Registers”](#) for more information.

PIC32MK MCA Family

REGISTER 9-1: CHECON: CACHE MODULE CONTROL REGISTER

Bit Range	Bit 31/23/15/7	Bit 30/22/14/6	Bit 29/21/13/5	Bit 28/20/12/4	Bit 27/19/11/3	Bit 26/18/10/2	Bit 25/17/9/1	Bit 24/16/8/0
31:24	U-0	U-0	U-0	U-0	U-0	R/W-1	R/W-1	R/W-1
	—	—	—	—	—	PERCHEEN	DCHEEN	ICHEEN
23:16	U-0	R/W-0	R/W-0	R/W-0	U-0	R/W-0	R/W-0	R/W-0
	—	PER CHEINV ⁽¹⁾	DCHEINV ⁽¹⁾	ICHEINV ⁽¹⁾	—	PER CHECOH ⁽²⁾	DCHECOH ⁽²⁾	ICHECOH ⁽²⁾
15:8	U-0	U-0	U-0	R/W-0	U-0	U-0	U-0	R/W-1
	—	—	—	CHE PERFEN	—	—	—	PFM AWSEN
7:0	U-0	U-0	R/W-0	R/W-0	U-0	R/W-1	R/W-1	R/W-1
	—	—	PREFEN<1:0>		PFMWS<3:0>			

Legend:

R = Readable bit

W = Writable bit

U = Unimplemented bit, read as '0'

-n = Value at POR

'1' = Bit is set

'0' = Bit is cleared

x = Bit is unknown

bit 31-27 **Unimplemented:** Read as '0'

bit 26 **PERCHEEN:** Peripheral Cache Enable bit

- 1 = Peripheral cache is enabled
- 0 = Peripheral cache is disabled

bit 25 **DCHEEN:** Data Cache Enable bit

- 1 = Data cache is enabled
- 0 = Data cache is disabled

bit 24 **ICHEEN:** Instruction Cache Enable bit

- 1 = Instruction cache is enabled
- 0 = Instruction cache is disabled

bit 23 **Unimplemented:** Read as '0'

bit 22 **PERCHEINV:** Peripheral Cache Invalidate bit⁽¹⁾

- 1 = Force invalidate cache/invalidate busy
- 0 = Cache Invalidation follows CHECOH/invalid complete

bit 21 **DCHEINV:** Data Cache Invalidate bit⁽¹⁾

- 1 = Force invalidate cache/invalidate busy
- 0 = Cache Invalidation follows CHECOH/invalid complete

bit 20 **ICHEINV:** Instruction Cache Invalidate bit⁽¹⁾

- 1 = Force invalidate cache/invalidate busy
- 0 = Cache Invalidation follows CHECOH/invalid complete

bit 19 **Unimplemented:** Read as '0'

bit 18 **PERCHECOH:** Peripheral Auto-cache Coherency Control bit⁽²⁾

- 1 = Automatically invalidate cache on a programming event
- 0 = Do not automatically invalidate cache on a programming event

bit 17 **DCHECOH:** Data Auto-cache Coherency Control bit⁽²⁾

- 1 = Automatically invalidate cache on a programming event
- 0 = Do not automatically invalidate cache on a programming event

Note 1: Hardware automatically clears this bit when cache invalidate completes. Bits may clear at different times.

2: The PERCHECOH, DCHECOH, and ICHECOH bits must be stable before initiation of programming.

PIC32MK MCA Family

REGISTER 9-1: CHECON: CACHE MODULE CONTROL REGISTER (CONTINUED) (CONTINUED)

- bit 16 **ICHECOH**: Instruction Auto-cache Coherency Control bit⁽²⁾
 1 = Automatically invalidate cache on a programming event
 0 = Do not automatically invalidate cache on a programming event
- bit 15-13 **Unimplemented**: Read as '0'
- bit 12 **CHEPERFEN**: Cache Performance Counters Enable bit
 1 = Performance counters are enabled
 0 = Performance counters are disabled
- bit 11-9 **Unimplemented**: Read as '0'
- bit 8 **PFWAWESEN**: PFM Address Wait State Enable bit
 1 = Add one more Wait State to flash address setup (suggested for higher system clock frequencies)
 0 = Add no Wait States to the flash address setup (suggested for lower system clock frequencies to achieve higher performance)
- When this bit is set to '1', total Flash wait states are PFMWS plus PFWAWESEN.
- bit 7-6 **Unimplemented**: Read as '0'
- bit 5-4 **PREFEN<1:0>**: Predictive Prefetch Enable bits
 11 = Disable predictive prefetch
 10 = Disable predictive prefetch
 01 = Enable predictive prefetch for CPU instructions only
 00 = Disable predictive prefetch
- bit 3-0 **PFMWS<3:0>**: PFM Access Time Defined in Terms of SYSCLK Wait States bits
 0111 = Seven Wait states
 •
 •
 •
 010 = Two Wait states
 001 = One Wait state
 000 = Zero Wait states

DEVCFG0<9:8>	Required Flash Wait States PFMWS<3:0> bits	SYSCLK (MHz)
FECCCON<1:0> bits (DEVCFG0<9:8>) = 0x1x with ECC disabled	1 - Wait State	0 < SYSCLK ≤ 116 MHz
	2 - Wait State	116 MHz < SYSCLK ≤ 120 MHz
FECCCON<1:0> bits (DEVCFG0<9:8>) = 0x0x with ECC enabled	1 - Wait State	0 < SYSCLK ≤ 96 MHz
	2 - Wait State	96 MHz < SYSCLK ≤ 120 MHz

- Note 1:** Hardware automatically clears this bit when cache invalidate completes. Bits may clear at different times.
- Note 2:** The PERCHECOH, DCHECOH, and ICHECOH bits must be stable before initiation of programming.

PIC32MK MCA Family

REGISTER 9-2: CHEHIT: CACHE HIT STATUS REGISTER

Bit Range	Bit 31/23/15/7	Bit 30/22/14/6	Bit 29/21/13/5	Bit 28/20/12/4	Bit 27/19/11/3	Bit 26/18/10/2	Bit 25/17/9/1	Bit 24/16/8/0
31:24	R/W-0	R/W-0	R/W-0	R/W-0	R/W-0	R/W-0	R/W-0	R/W-0
	CHEHIT<31:24>							
23:16	R/W-0	R/W-0	R/W-0	R/W-0	R/W-0	R/W-0	R/W-0	R/W-0
	CHEHIT<23:16>							
15:8	R/W-0	R/W-0	R/W-0	R/W-0	R/W-0	R/W-0	R/W-0	R/W-0
	CHEHIT<15:8>							
7:0	R/W-0	R/W-0	R/W-0	R/W-0	R/W-0	R/W-0	R/W-0	R/W-0
	CHEHIT<7:0>							

Legend:

R = Readable bit

W = Writable bit

U = Unimplemented bit, read as '0'

-n = Value at POR

'1' = Bit is set

'0' = Bit is cleared

x = Bit is unknown

bit 31-0 **CHEHIT<31:0>**: Instruction Cache Hit Count bits

When the CHEPERFEN bit (CHECON<12>) = 1, the CHEHIT<31:0> bits increment each time the processor issues an instruction fetch or load that hits the prefetch cache from a cacheable region. Non-cacheable accesses do not modify this value.

The CHEHIT<31:0> bits are reset on a '0' to '1' transition of the CHEPERFEN bit.

PIC32MK MCA Family

REGISTER 9-3: CHEMIS: CACHE MISS STATUS REGISTER

Bit Range	Bit 31/23/15/7	Bit 30/22/14/6	Bit 29/21/13/5	Bit 28/20/12/4	Bit 27/19/11/3	Bit 26/18/10/2	Bit 25/17/9/1	Bit 24/16/8/0
31:24	R/W-0	R/W-0	R/W-0	R/W-0	R/W-0	R/W-0	R/W-0	R/W-0
CHEMIS<31:24>								
23:16	R/W-0	R/W-0	R/W-0	R/W-0	R/W-0	R/W-0	R/W-0	R/W-0
CHEMIS<23:16>								
15:8	R/W-0	R/W-0	R/W-0	R/W-0	R/W-0	R/W-0	R/W-0	R/W-0
CHEMIS<15:8>								
7:0	R/W-0	R/W-0	R/W-0	R/W-0	R/W-0	R/W-0	R/W-0	R/W-0
CHEMIS<7:0>								

Legend:

R = Readable bit

W = Writable bit

U = Unimplemented bit, read as '0'

-n = Value at POR

'1' = Bit is set

'0' = Bit is cleared

x = Bit is unknown

bit 31-0 **CHEMIS<31:0>**: Instruction Cache Miss Count bits

When the CHEPERFEN bit (CHECON<12>) = 1, the CHEMIS<31:0> bits increment each time the processor issues an instruction fetch or load that hits the prefetch cache from a cacheable region. Non-cacheable accesses do not modify this value.

The CHEMIS<31:0> bits are reset on a '0' to '1' transition of the CHEPERFEN bit.

10.0 DIRECT MEMORY ACCESS (DMA) CONTROLLER

Note: This data sheet summarizes the features of the PIC32MK MCA Family of devices. It is not intended to be a comprehensive reference source. To complement the information in this data sheet, refer to **Section 31. “Direct Memory Access (DMA) Controller”** (DS60001117), which is available from the *Documentation > Reference Manual* section of the Microchip PIC32 web site (www.microchip.com/pic32).

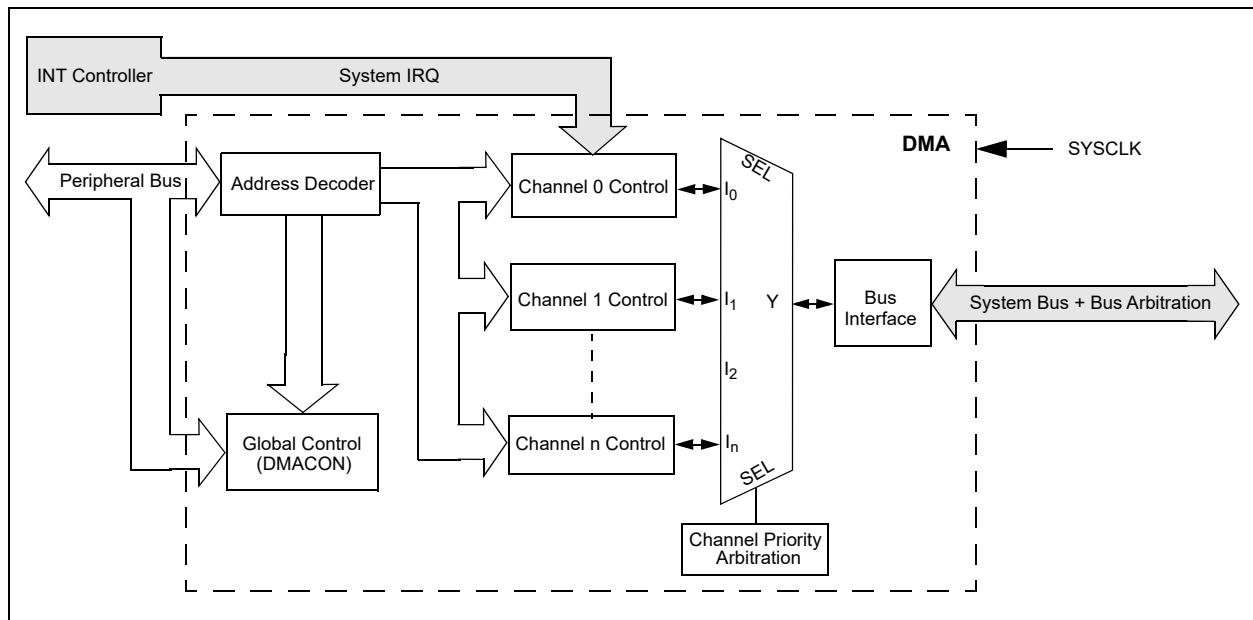
The Direct Memory Access (DMA) Controller is a bus initiator module useful for data transfers between different devices without CPU intervention. The source and destination of a DMA transfer can be any of the memory mapped modules existent in the device, such as SPI, UART, PMP, etc., or memory itself.

The following are some of the key features of the DMA Controller module:

- Eight identical channels, each featuring:
 - Auto-increment source and destination address registers
 - Source and destination pointers
 - Memory-to-memory and memory-to-peripheral transfers
- Automatic word-size detection:
 - Transfer granularity, down to byte level
 - Bytes need not be word-aligned at source and destination

- Fixed priority channel arbitration
- Flexible DMA channel operating modes:
 - Manual (software) or automatic (interrupt) DMA requests
 - One-Shot or Auto-Repeat Block Transfer modes
 - Channel-to-channel chaining
- Flexible DMA requests:
 - A DMA request can be selected from any of the peripheral interrupt sources
 - Each channel can select any (appropriate) observable interrupt as its DMA request source
 - A DMA transfer abort can be selected from any of the peripheral interrupt sources
 - Up to 2-byte Pattern (data) match transfer termination
- Multiple DMA channel status interrupts:
 - DMA channel block transfer complete
 - Source empty or half empty
 - Destination full or half full
 - DMA transfer aborted due to an external event
 - Invalid DMA address generated
- DMA debug support features:
 - Most recent error address accessed by a DMA channel
 - Most recent DMA channel to transfer data
- CRC Generation module:
 - CRC module can be assigned to any of the available channels
 - CRC module is highly configurable

FIGURE 10-1: DMA BLOCK DIAGRAM



10.1 DMA Control Registers

TABLE 10-1: DMA GLOBAL REGISTER MAP

Virtual Address (BF81_#)	Register Name ⁽¹⁾	Bit Range	Bits															All Resets	
			31/15	30/14	29/13	28/12	27/11	26/10	25/9	24/8	23/7	22/6	21/5	20/4	19/3	18/2	17/1		16/0
1000	DMACON	31:16	—	—	—	—	—	—	—	—	—	—	—	—	—	—	—	—	0000
		15:0	ON	—	—	SUSPEND	DMABUSY	—	—	—	—	—	—	—	—	—	—	—	0000
1010	DMASTAT	31:16	RDWR	—	—	—	—	—	—	—	—	—	—	—	—	—	—	—	0000
		15:0	—	—	—	—	—	—	—	—	—	—	—	—	—	DMACH<2:0>			0000
1020	DMAADDR	31:16	DMAADDR<31:0>															0000	
		15:0	DMAADDR<31:0>															0000	

Legend: x = unknown value on Reset; — = unimplemented, read as '0'. Reset values are shown in hexadecimal.

Note 1: All registers in this table have corresponding CLR, SET, and INV registers at its virtual address, plus an offset of 0x4, 0x8, and 0xC, respectively. See [11.2 “CLR, SET, and INV Registers”](#) for more information.

TABLE 10-2: DMA CRC REGISTER MAP

Virtual Address (BF81_#)	Register Name ⁽¹⁾	Bit Range	Bits															All Resets	
			31/15	30/14	29/13	28/12	27/11	26/10	25/9	24/8	23/7	22/6	21/5	20/4	19/3	18/2	17/1		16/0
1030	DCRCCON	31:16	—	—	BYTO<1:0>		WBO	—	—	BITO	—	—	—	—	—	—	—	—	0000
		15:0	—	—	—	PLEN<4:0>				CRCEN	CRCAPP	CRCTYP	—	—	CRCCH<2:0>			0000	
1040	DCRCDATA	31:16	DCRCDATA<31:0>															0000	
		15:0	DCRCDATA<31:0>															0000	
1050	DCRCXOR	31:16	DCRCXOR<31:0>															0000	
		15:0	DCRCXOR<31:0>															0000	

Legend: x = unknown value on Reset; — = unimplemented, read as '0'. Reset values are shown in hexadecimal.

Note 1: All registers in this table have corresponding CLR, SET, and INV registers at their virtual addresses, plus offsets of 0x4, 0x8, and 0xC, respectively. See [11.2 “CLR, SET, and INV Registers”](#) for more information.

TABLE 10-3: DMA CHANNEL 0 THROUGH CHANNEL 7 REGISTER MAP

Virtual Address (BF81_#)	Register Name(s)	Bit Range	Bits															All Resets		
			31/15	30/14	29/13	28/12	27/11	26/10	25/9	24/8	23/7	22/6	21/5	20/4	19/3	18/2	17/1		16/0	
1060	DCH0CON	31:16	CHPIGN<7:0>															0000		
		15:0	CHBUSY	—	CHPIGNEN	—	CHPATLEN	—	—	—	CHCHNS	CHEN	CHAED	CHCHN	CHAEN	—	CHEDET	CHPRI<1:0>	0000	
1070	DCH0ECON	31:16	CHAIRQ<7:0>															00FF		
		15:0	CHSIRQ<7:0>															FF00		
1080	DCH0INT	31:16	—	—	—	—	—	—	—	—	CHSDIE	CHSHIE	CHDDIE	CHDHIE	CHBCIE	CHCCIE	CHTAIE	CHERIE	0000	
		15:0	—	—	—	—	—	—	—	—	CHSDIF	CHSHIF	CHDDIF	CHDHIF	CHBCIF	CHCCIF	CHTAIF	CHERIF	0000	
1090	DCH0SSA	31:16	CHSSA<31:0>															0000		
		15:0	CHSSA<31:0>															0000		
10A0	DCH0DSA	31:16	CHDSA<31:0>															0000		
		15:0	CHDSA<31:0>															0000		
10B0	DCH0SSIZ	31:16	—	—	—	—	—	—	—	—	—	—	—	—	—	—	—	—	0000	
		15:0	CHSSIZ<15:0>															0000		
10C0	DCH0DSIZ	31:16	—	—	—	—	—	—	—	—	—	—	—	—	—	—	—	—	0000	
		15:0	CHDSIZ<15:0>															0000		
10D0	DCH0SPTR	31:16	—	—	—	—	—	—	—	—	—	—	—	—	—	—	—	—	0000	
		15:0	CHSPTR<15:0>															0000		
10E0	DCH0DPTR	31:16	—	—	—	—	—	—	—	—	—	—	—	—	—	—	—	—	0000	
		15:0	CHDPTR<15:0>															0000		
10F0	DCH0CSIZ	31:16	—	—	—	—	—	—	—	—	—	—	—	—	—	—	—	—	0000	
		15:0	CHCSIZ<15:0>															0000		
1100	DCH0CPTR	31:16	—	—	—	—	—	—	—	—	—	—	—	—	—	—	—	—	0000	
		15:0	CHCPTR<15:0>															0000		
1110	DCH0DAT	31:16	—	—	—	—	—	—	—	—	—	—	—	—	—	—	—	—	0000	
		15:0	CHPDAT<15:0>															0000		
1120	DCH1CON	31:16	CHPIGN<7:0>															0000		
		15:0	CHBUSY	—	CHPIGNEN	—	CHPATLEN	—	—	—	CHCHNS	CHEN	CHAED	CHCHN	CHAEN	—	CHEDET	CHPRI<1:0>	0000	
1130	DCH1ECON	31:16	CHAIRQ<7:0>															00FF		
		15:0	CHSIRQ<7:0>															FF00		
1140	DCH1INT	31:16	—	—	—	—	—	—	—	—	—	CHSDIE	CHSHIE	CHDDIE	CHDHIE	CHBCIE	CHCCIE	CHTAIE	CHERIE	0000
		15:0	—	—	—	—	—	—	—	—	—	CHSDIF	CHSHIF	CHDDIF	CHDHIF	CHBCIF	CHCCIF	CHTAIF	CHERIF	0000
1150	DCH1SSA	31:16	CHSSA<31:0>															0000		
		15:0	CHSSA<31:0>															0000		
1160	DCH1DSA	31:16	CHDSA<31:0>															0000		
		15:0	CHDSA<31:0>															0000		

Legend: x = unknown value on Reset; — = unimplemented, read as '0'. Reset values are shown in hexadecimal.

Note 1: All registers in this table have corresponding CLR, SET, and INV registers at their virtual addresses, plus offsets of 0x4, 0x8, and 0xC, respectively. See [11.2 “CLR, SET, and INV Registers”](#) for more information.

TABLE 10-3: DMA CHANNEL 0 THROUGH CHANNEL 7 REGISTER MAP (CONTINUED)

Virtual Address (BFB1_#)	Register Name ⁽¹⁾	Bit Range	Bits																All Resets		
			31/15	30/14	29/13	28/12	27/11	26/10	25/9	24/8	23/7	22/6	21/5	20/4	19/3	18/2	17/1	16/0			
1170	DCH1SSIZ	31:16	—	—	—	—	—	—	—	—	—	—	—	—	—	—	—	—	0000		
		15:0	CHSSIZ<15:0>																0000		
1180	DCH1DSIZ	31:16	—	—	—	—	—	—	—	—	—	—	—	—	—	—	—	—	0000		
		15:0	CHDSIZ<15:0>																0000		
1190	DCH1SPTR	31:16	—	—	—	—	—	—	—	—	—	—	—	—	—	—	—	—	0000		
		15:0	CHSPTR<15:0>																0000		
11A0	DCH1DPTR	31:16	—	—	—	—	—	—	—	—	—	—	—	—	—	—	—	—	0000		
		15:0	CHDPTR<15:0>																0000		
11B0	DCH1CSIZ	31:16	—	—	—	—	—	—	—	—	—	—	—	—	—	—	—	—	0000		
		15:0	CHCSIZ<15:0>																0000		
11C0	DCH1CPTR	31:16	—	—	—	—	—	—	—	—	—	—	—	—	—	—	—	—	0000		
		15:0	CHCPTR<15:0>																0000		
11D0	DCH1DAT	31:16	—	—	—	—	—	—	—	—	—	—	—	—	—	—	—	—	0000		
		15:0	CHPDAT<15:0>																0000		
11E0	DCH2CON	31:16	CHPIGN<7:0>										—	—	—	—	—	—	—	—	0000
		15:0	CHBUSY	—	CHPIGNEN	—	CHPATLEN	—	—	—	CHCHNS	CHEN	CHAED	CHCHN	CHAEN	—	CHEDET	CHPRI<1:0>	0000		
11F0	DCH2ECON	31:16	—	—	—	—	—	—	—	—	CHAIRQ<7:0>							—	—	—	00FF
		15:0	CHSIRQ<7:0>								CFORCE	CABORT	PATEN	SIRQEN	AIRQEN	—	—	—	FF00		
1200	DCH2INT	31:16	—	—	—	—	—	—	—	—	CHSDIE	CHSHIE	CHDDIE	CHDHIE	CHBCIE	CHCCIE	CHTAIE	CHERIE	0000		
		15:0	—	—	—	—	—	—	—	—	CHSDIF	CHSHIF	CHDDIF	CHDHIF	CHBCIF	CHCCIF	CHTAIF	CHERIF	0000		
1210	DCH2SSA	31:16	CHSSA<31:0>																0000		
		15:0																	0000		
1220	DCH2DSA	31:16	CHDSA<31:0>																0000		
		15:0																	0000		
1230	DCH2SSIZ	31:16	—	—	—	—	—	—	—	—	—	—	—	—	—	—	—	—	0000		
		15:0	CHSSIZ<15:0>																0000		
1240	DCH2DSIZ	31:16	—	—	—	—	—	—	—	—	—	—	—	—	—	—	—	—	0000		
		15:0	CHDSIZ<15:0>																0000		
1250	DCH2SPTR	31:16	—	—	—	—	—	—	—	—	—	—	—	—	—	—	—	—	0000		
		15:0	CHSPTR<15:0>																0000		
1260	DCH2DPTR	31:16	—	—	—	—	—	—	—	—	—	—	—	—	—	—	—	—	0000		
		15:0	CHDPTR<15:0>																0000		
1270	DCH2CSIZ	31:16	—	—	—	—	—	—	—	—	—	—	—	—	—	—	—	—	0000		
		15:0	CHCSIZ<15:0>																0000		

Legend: x = unknown value on Reset; — = unimplemented, read as '0'. Reset values are shown in hexadecimal.

Note 1: All registers in this table have corresponding CLR, SET, and INV registers at their virtual addresses, plus offsets of 0x4, 0x8, and 0xC, respectively. See [11.2 “CLR, SET, and INV Registers”](#) for more information.

TABLE 10-3: DMA CHANNEL 0 THROUGH CHANNEL 7 REGISTER MAP (CONTINUED)

Virtual Address (BF01_#)	Register Name ⁽¹⁾	Bit Range	Bits															All Resets		
			31/15	30/14	29/13	28/12	27/11	26/10	25/9	24/8	23/7	22/6	21/5	20/4	19/3	18/2	17/1		16/0	
1280	DCH2CPTR	31:16	—	—	—	—	—	—	—	—	—	—	—	—	—	—	—	—	0000	
		15:0	CHCPTR<15:0>															0000		
1290	DCH2DAT	31:16	—	—	—	—	—	—	—	—	—	—	—	—	—	—	—	—	0000	
		15:0	CHPDAT<15:0>															0000		
12A0	DCH3CON	31:16	CHPIGN<7:0>										—	—	—	—	—	—	—	0000
		15:0	CHBUSY	—	CHPIGNEN	—	CHPATLEN	—	—	CHCHNS	CHEN	CHAED	CHCHN	CHAEN	—	CHEDET	CHPRI<1:0>	0000		
12B0	DCH3ECON	31:16	—	—	—	—	—	—	—	CHAIRQ<7:0>							00FF			
		15:0	CHSIRQ<7:0>							CFORCE	CABORT	PATEN	SIRQEN	AIRQEN	—	—	—	FF00		
12C0	DCH3INT	31:16	—	—	—	—	—	—	—	CHSDIE	CHSHIE	CHDDIE	CHDHIE	CHBCIE	CHCCIE	CHTAIE	CHERIE	0000		
		15:0	—	—	—	—	—	—	—	CHSDIF	CHSHIF	CHDDIF	CHDHIF	CHBCIF	CHCCIF	CHTAIF	CHERIF	0000		
12D0	DCH3SSA	31:16	CHSSA<31:0>															0000		
		15:0	CHSSA<31:0>															0000		
12E0	DCH3DSA	31:16	CHDSA<31:0>															0000		
		15:0	CHDSA<31:0>															0000		
12F0	DCH3SSIZ	31:16	—	—	—	—	—	—	—	—	—	—	—	—	—	—	—	—	0000	
		15:0	CHSSIZ<15:0>															0000		
1300	DCH3DSIZ	31:16	—	—	—	—	—	—	—	—	—	—	—	—	—	—	—	—	0000	
		15:0	CHDSIZ<15:0>															0000		
1310	DCH3SPTR	31:16	—	—	—	—	—	—	—	—	—	—	—	—	—	—	—	—	0000	
		15:0	CHSPTR<15:0>															0000		
1320	DCH3DPTR	31:16	—	—	—	—	—	—	—	—	—	—	—	—	—	—	—	—	0000	
		15:0	CHDPTR<15:0>															0000		
1330	DCH3CSIZ	31:16	—	—	—	—	—	—	—	—	—	—	—	—	—	—	—	—	0000	
		15:0	CHCSIZ<15:0>															0000		
1340	DCH3CPTR	31:16	—	—	—	—	—	—	—	—	—	—	—	—	—	—	—	—	0000	
		15:0	CHCPTR<15:0>															0000		
1350	DCH3DAT	31:16	—	—	—	—	—	—	—	—	—	—	—	—	—	—	—	—	0000	
		15:0	CHPDAT<15:0>															0000		
1360	DCH4CON	31:16	CHPIGN<7:0>										—	—	—	—	—	—	—	0000
		15:0	CHBUSY	—	CHPIGNEN	—	CHPATLEN	—	—	CHCHNS	CHEN	CHAED	CHCHN	CHAEN	—	CHEDET	CHPRI<1:0>	0000		
1370	DCH4ECON	31:16	—	—	—	—	—	—	—	CHAIRQ<7:0>							00FF			
		15:0	CHSIRQ<7:0>							CFORCE	CABORT	PATEN	SIRQEN	AIRQEN	—	—	—	FF00		
1380	DCH4INT	31:16	—	—	—	—	—	—	—	CHSDIE	CHSHIE	CHDDIE	CHDHIE	CHBCIE	CHCCIE	CHTAIE	CHERIE	0000		
		15:0	—	—	—	—	—	—	—	CHSDIF	CHSHIF	CHDDIF	CHDHIF	CHBCIF	CHCCIF	CHTAIF	CHERIF	0000		

Legend: x = unknown value on Reset; — = unimplemented, read as '0'. Reset values are shown in hexadecimal.

Note 1: All registers in this table have corresponding CLR, SET, and INV registers at their virtual addresses, plus offsets of 0x4, 0x8, and 0xC, respectively. See [11.2 “CLR, SET, and INV Registers”](#) for more information.

TABLE 10-3: DMA CHANNEL 0 THROUGH CHANNEL 7 REGISTER MAP (CONTINUED)

Virtual Address (BF01_#)	Register Name ⁽¹⁾	Bit Range	Bits															All Resets	
			31/15	30/14	29/13	28/12	27/11	26/10	25/9	24/8	23/7	22/6	21/5	20/4	19/3	18/2	17/1		16/0
1390	DCH4SSA	31:16	CHSSA<31:0>															0000	
		15:0																0000	
13A0	DCH4DSA	31:16	CHDSA<31:0>															0000	
		15:0																0000	
13B0	DCH4SSIZ	31:16	—	—	—	—	—	—	—	—	—	—	—	—	—	—	—	—	0000
		15:0	CHSSIZ<15:0>															0000	
13C0	DCH4DSIZ	31:16	—	—	—	—	—	—	—	—	—	—	—	—	—	—	—	—	0000
		15:0	CHDSIZ<15:0>															0000	
13D0	DCH4SPTR	31:16	—	—	—	—	—	—	—	—	—	—	—	—	—	—	—	—	0000
		15:0	CHSPTR<15:0>															0000	
13E0	DCH4DPTR	31:16	—	—	—	—	—	—	—	—	—	—	—	—	—	—	—	—	0000
		15:0	CHDPTR<15:0>															0000	
13F0	DCH4CSIZ	31:16	—	—	—	—	—	—	—	—	—	—	—	—	—	—	—	—	0000
		15:0	CHCSIZ<15:0>															0000	
1400	DCH4CPTR	31:16	—	—	—	—	—	—	—	—	—	—	—	—	—	—	—	—	0000
		15:0	CHCPTR<15:0>															0000	
1410	DCH4DAT	31:16	—	—	—	—	—	—	—	—	—	—	—	—	—	—	—	—	0000
		15:0	CHPDAT<15:0>															0000	
1420	DCH5CON	31:16	CHPIGN<7:0>															0000	
		15:0	CHBUSY	—	CHPIGNEN	—	CHPATLEN	—	—	—	CHCHNS	CHEN	CHAED	CHCHN	CHAEN	—	CHEDET	CHPRI<1:0>	0000
1430	DCH5ECON	31:16	—	—	—	—	—	—	—	—	CHAIRQ<7:0>							00FF	
		15:0	CHSIRQ<7:0>							CFORCE	CABORT	PATEN	SIRQEN	AIRQEN	—	—	—	FF00	
1440	DCH5INT	31:16	—	—	—	—	—	—	—	—	CHSDIE	CHSHIE	CHDDIE	CHDHIE	CHBCIE	CHCCIE	CHTAIE	CHERIE	0000
		15:0	—	—	—	—	—	—	—	—	CHSDIF	CHSHIF	CHDDIF	CHDHIF	CHBCIF	CHCCIF	CHTAIF	CHERIF	0000
1450	DCH5SSA	31:16	CHSSA<31:0>															0000	
		15:0																0000	
1460	DCH5DSA	31:16	CHDSA<31:0>															0000	
		15:0																0000	
1470	DCH5SSIZ	31:16	—	—	—	—	—	—	—	—	—	—	—	—	—	—	—	—	0000
		15:0	CHSSIZ<15:0>															0000	
1480	DCH5DSIZ	31:16	—	—	—	—	—	—	—	—	—	—	—	—	—	—	—	—	0000
		15:0	CHDSIZ<15:0>															0000	
1490	DCH5SPTR	31:16	—	—	—	—	—	—	—	—	—	—	—	—	—	—	—	—	0000
		15:0	CHSPTR<15:0>															0000	

Legend: × = unknown value on Reset; — = unimplemented, read as '0'. Reset values are shown in hexadecimal.

Note 1: All registers in this table have corresponding CLR, SET, and INV registers at their virtual addresses, plus offsets of 0x4, 0x8, and 0xC, respectively. See [11.2 “CLR, SET, and INV Registers”](#) for more information.

TABLE 10-3: DMA CHANNEL 0 THROUGH CHANNEL 7 REGISTER MAP (CONTINUED)

Virtual Address (BF01_#)	Register Name ⁽¹⁾	Bit Range	Bits															All Resets	
			31/15	30/14	29/13	28/12	27/11	26/10	25/9	24/8	23/7	22/6	21/5	20/4	19/3	18/2	17/1		16/0
14A0	DCH5DPTR	31:16	—	—	—	—	—	—	—	—	—	—	—	—	—	—	—	—	0000
		15:0	CHDPTR<15:0>															0000	
14B0	DCH5CSIZ	31:16	—	—	—	—	—	—	—	—	—	—	—	—	—	—	—	—	0000
		15:0	CHCSIZ<15:0>															0000	
14C0	DCH5CPTR	31:16	—	—	—	—	—	—	—	—	—	—	—	—	—	—	—	—	0000
		15:0	CHCPTR<15:0>															0000	
14D0	DCH5DAT	31:16	—	—	—	—	—	—	—	—	—	—	—	—	—	—	—	—	0000
		15:0	CHPDAT<15:0>															0000	
14E0	DCH6CON	31:16	CHPIGN<7:0>							—	—	—	—	—	—	—	—	—	0000
		15:0	CHBUSY	—	CHPIGNEN	—	CHPATLEN	—	—	CHCHNS	CHEN	CHAED	CHCHN	CHAEN	—	CHEDET	CHPRI<1:0>	0000	
14F0	DCH6ECON	31:16	CHAIRQ<7:0>															00FF	
		15:0	CHSIRQ<7:0>							CFORCE	CABORT	PATEN	SIRQEN	AIRQEN	—	—	—	FF00	
1500	DCH6INT	31:16	—	—	—	—	—	—	—	—	CHSDIE	CHSHIE	CHDDIE	CHDHIE	CHBCIE	CHCCIE	CHTAIE	CHERIE	0000
		15:0	—	—	—	—	—	—	—	—	CHSDIF	CHSHIF	CHDDIF	CHDHIF	CHBCIF	CHCCIF	CHTAIF	CHERIF	0000
1510	DCH6SSA	31:16	CHSSA<31:0>															0000	
		15:0	CHSSA<31:0>															0000	
1520	DCH6DSA	31:16	CHDSA<31:0>															0000	
		15:0	CHDSA<31:0>															0000	
1530	DCH6SSIZ	31:16	—	—	—	—	—	—	—	—	—	—	—	—	—	—	—	—	0000
		15:0	CHSSIZ<15:0>															0000	
1540	DCH6DSIZ	31:16	—	—	—	—	—	—	—	—	—	—	—	—	—	—	—	—	0000
		15:0	CHDSIZ<15:0>															0000	
1550	DCH6SPTR	31:16	—	—	—	—	—	—	—	—	—	—	—	—	—	—	—	—	0000
		15:0	CHSPTR<15:0>															0000	
1560	DCH6DPTR	31:16	—	—	—	—	—	—	—	—	—	—	—	—	—	—	—	—	0000
		15:0	CHDPTR<15:0>															0000	
1570	DCH6CSIZ	31:16	—	—	—	—	—	—	—	—	—	—	—	—	—	—	—	—	0000
		15:0	CHCSIZ<15:0>															0000	
1580	DCH6CPTR	31:16	—	—	—	—	—	—	—	—	—	—	—	—	—	—	—	—	0000
		15:0	CHCPTR<15:0>															0000	
1590	DCH6DAT	31:16	—	—	—	—	—	—	—	—	—	—	—	—	—	—	—	—	0000
		15:0	CHPDAT<15:0>															0000	
15A0	DCH7CON	31:16	CHPIGN<7:0>							—	—	—	—	—	—	—	—	—	0000
		15:0	CHBUSY	—	CHPIGNEN	—	CHPATLEN	—	—	CHCHNS	CHEN	CHAED	CHCHN	CHAEN	—	CHEDET	CHPRI<1:0>	0000	

Legend: x = unknown value on Reset; — = unimplemented, read as '0'. Reset values are shown in hexadecimal.

Note 1: All registers in this table have corresponding CLR, SET, and INV registers at their virtual addresses, plus offsets of 0x4, 0x8, and 0xC, respectively. See [11.2 “CLR, SET, and INV Registers”](#) for more information.

TABLE 10-3: DMA CHANNEL 0 THROUGH CHANNEL 7 REGISTER MAP (CONTINUED)

Virtual Address (BF81_#)	Register Name ⁽¹⁾	Bit Range	Bits															All Resets	
			31/15	30/14	29/13	28/12	27/11	26/10	25/9	24/8	23/7	22/6	21/5	20/4	19/3	18/2	17/1		16/0
15B0	DCH7ECON	31:16	—	—	—	—	—	—	—	—	CHAIRQ<7:0>							00FF	
		15:0	CHSIRQ<7:0>							CFORCE	CABORT	PATEN	SIRQEN	AIRQEN	—	—	—	FF00	
15C0	DCH7INT	31:16	—	—	—	—	—	—	—	—	CHSDIE	CHSHIE	CHDDIE	CHDHIE	CHBCIE	CHCCIE	CHTAIE	CHERIE	0000
		15:0	—	—	—	—	—	—	—	—	CHSDIF	CHSHIF	CHDDIF	CHDHIF	CHBCIF	CHCCIF	CHTAIF	CHERIF	0000
15D0	DCH7SSA	31:16	CHSSA<31:0>															0000	
		15:0	CHSSA<31:0>															0000	
15E0	DCH7DSA	31:16	CHDSA<31:0>															0000	
		15:0	CHDSA<31:0>															0000	
15F0	DCH7SSIZ	31:16	—	—	—	—	—	—	—	—	—	—	—	—	—	—	—	—	0000
		15:0	CHSSIZ<15:0>															0000	
1600	DCH7DSIZ	31:16	—	—	—	—	—	—	—	—	—	—	—	—	—	—	—	—	0000
		15:0	CHDSIZ<15:0>															0000	
1610	DCH7SPTR	31:16	—	—	—	—	—	—	—	—	—	—	—	—	—	—	—	—	0000
		15:0	CHSPTR<15:0>															0000	
1620	DCH7DPTR	31:16	—	—	—	—	—	—	—	—	—	—	—	—	—	—	—	—	0000
		15:0	CHDPTR<15:0>															0000	
1630	DCH7CSIZ	31:16	—	—	—	—	—	—	—	—	—	—	—	—	—	—	—	—	0000
		15:0	CHCSIZ<15:0>															0000	
1640	DCH7CPTR	31:16	—	—	—	—	—	—	—	—	—	—	—	—	—	—	—	—	0000
		15:0	CHCPTR<15:0>															0000	
1650	DCH7DAT	31:16	—	—	—	—	—	—	—	—	—	—	—	—	—	—	—	—	0000
		15:0	CHPDAT<15:0>															0000	

Legend: x = unknown value on Reset; — = unimplemented, read as '0'. Reset values are shown in hexadecimal.

Note 1: All registers in this table have corresponding CLR, SET, and INV registers at their virtual addresses, plus offsets of 0x4, 0x8, and 0xC, respectively. See [11.2 “CLR, SET, and INV Registers”](#) for more information.

PIC32MK MCA Family

REGISTER 10-2: DMASTAT: DMA STATUS REGISTER

Bit Range	Bit 31/23/15/7	Bit 30/22/14/6	Bit 29/21/13/5	Bit 28/20/12/4	Bit 27/19/11/3	Bit 26/18/10/2	Bit 25/17/9/1	Bit 24/16/8/0
31:24	R-0	U-0	U-0	U-0	U-0	U-0	U-0	U-0
	RDWR	—	—	—	—	—	—	—
23:16	U-0	U-0	U-0	U-0	U-0	U-0	U-0	U-0
	—	—	—	—	—	—	—	—
15:8	U-0	U-0	U-0	U-0	U-0	U-0	U-0	U-0
	—	—	—	—	—	—	—	—
7:0	U-0	U-0	U-0	U-0	U-0	R-0	R-0	R-0
	—	—	—	—	—	DMACH<2:0>		

Legend:

R = Readable bit W = Writable bit U = Unimplemented bit, read as '0'
 -n = Value at POR '1' = Bit is set '0' = Bit is cleared x = Bit is unknown

bit 31 **RDWR:** Read/Write Status bit

- 1 = Last DMA bus access when an error was detected was a read
- 0 = Last DMA bus access when an error was detected was a write

bit 30-3 **Unimplemented:** Read as '0'

bit 2-0 **DMACH<2:0>:** DMA Channel bits

These bits contain the value of the most recent active DMA channel when an error was detected.

Note: The DMASTAT register will be cleared when its contents are read. If more than one errors at the same time, the read transaction will be recorded. Additional transfers that occur later with an error will not update this register until it has been read or cleared.

PIC32MK MCA Family

REGISTER 10-3: DMAADDR: DMA ADDRESS REGISTER

Bit Range	Bit 31/23/15/7	Bit 30/22/14/6	Bit 29/21/13/5	Bit 28/20/12/4	Bit 27/19/11/3	Bit 26/18/10/2	Bit 25/17/9/1	Bit 24/16/8/0
31:24	R-0	R-0	R-0	R-0	R-0	R-0	R-0	R-0
DMAADDR<31:24>								
23:16	R-0	R-0	R-0	R-0	R-0	R-0	R-0	R-0
DMAADDR<23:16>								
15:8	R-0	R-0	R-0	R-0	R-0	R-0	R-0	R-0
DMAADDR<15:8>								
7:0	R-0	R-0	R-0	R-0	R-0	R-0	R-0	R-0
DMAADDR<7:0>								

Legend:

R = Readable bit
-n = Value at POR

W = Writable bit
'1' = Bit is set

U = Unimplemented bit, read as '0'
'0' = Bit is cleared
x = Bit is unknown

bit 31-0 **DMAADDR<31:0>**: DMA Module Address bits

These bits contain the address of the most recent DMA access when an error was detected.

Note: The DMAADDR register will be cleared when its contents are read. If more than one errors at the same time, the read transaction will be recorded. Additional transfers that occur later with an error will not update this register until it has been read or cleared.

REGISTER 10-4: DCRCCON: DMA CRC CONTROL REGISTER (CONTINUED)

- bit 6 **CRCAPP:** CRC Append Mode bit⁽¹⁾
1 = The DMA transfers data from the source into the CRC but NOT to the destination. When a block transfer completes the DMA writes the calculated CRC value to the location given by CHxDSA
0 = The DMA transfers data from the source through the CRC obeying WBO as it writes the data to the destination
- bit 5 **CRCTYP:** CRC Type Selection bit
1 = The CRC module will calculate an IP header checksum
0 = The CRC module will calculate a LFSR CRC
- bit 4-3 **Unimplemented:** Read as '0'
- bit 2-0 **CRCCH<2:0>:** CRC Channel Select bits
111 = CRC is assigned to Channel 7
110 = CRC is assigned to Channel 6
101 = CRC is assigned to Channel 5
100 = CRC is assigned to Channel 4
011 = CRC is assigned to Channel 3
010 = CRC is assigned to Channel 2
001 = CRC is assigned to Channel 1
000 = CRC is assigned to Channel 0

- Note 1:** When WBO = 1, unaligned transfers are not supported and the CRCAPP bit cannot be set.
2: The maximum CRC length supported by the DMA module is 32.
3: This bit is unused when CRCTYP is equal to '1'.

PIC32MK MCA Family

REGISTER 10-5: DCRCDATA: DMA CRC DATA REGISTER

Bit Range	Bit 31/23/15/7	Bit 30/22/14/6	Bit 29/21/13/5	Bit 28/20/12/4	Bit 27/19/11/3	Bit 26/18/10/2	Bit 25/17/9/1	Bit 24/16/8/0
31:24	R/W-0	R/W-0	R/W-0	R/W-0	R/W-0	R/W-0	R/W-0	R/W-0
DCRCDATA<31:24>								
23:16	R/W-0	R/W-0	R/W-0	R/W-0	R/W-0	R/W-0	R/W-0	R/W-0
DCRCDATA<23:16>								
15:8	R/W-0	R/W-0	R/W-0	R/W-0	R/W-0	R/W-0	R/W-0	R/W-0
DCRCDATA<15:8>								
7:0	R/W-0	R/W-0	R/W-0	R/W-0	R/W-0	R/W-0	R/W-0	R/W-0
DCRCDATA<7:0>								

Legend:

R = Readable bit

W = Writable bit

U = Unimplemented bit, read as '0'

-n = Value at POR

'1' = Bit is set

'0' = Bit is cleared

x = Bit is unknown

bit 31-0 **DCRCDATA<31:0>**: CRC Data Register bits

Writing to this register will seed the CRC generator. Reading from this register will return the current value of the CRC. Bits greater than PLEN will return '0' on any read.

When CRCTYP (DCRCCON<15>) = 1 (CRC module is in IP Header mode):

Only the lower 16 bits contain IP header checksum information. The upper 16 bits are always '0'. Data written to this register is converted and read back in 1's complement form (i.e., current IP header checksum value).

When CRCTYP (DCRCCON<15>) = 0 (CRC module is in LFSR mode):

Bits greater than PLEN will return '0' on any read.

PIC32MK MCA Family

REGISTER 10-6: DCRCXOR: DMA CRCXOR ENABLE REGISTER

Bit Range	Bit 31/23/15/7	Bit 30/22/14/6	Bit 29/21/13/5	Bit 28/20/12/4	Bit 27/19/11/3	Bit 26/18/10/2	Bit 25/17/9/1	Bit 24/16/8/0
31:24	R/W-0	R/W-0	R/W-0	R/W-0	R/W-0	R/W-0	R/W-0	R/W-0
DCRCXOR<31:24>								
23:16	R/W-0	R/W-0	R/W-0	R/W-0	R/W-0	R/W-0	R/W-0	R/W-0
DCRCXOR<23:16>								
15:8	R/W-0	R/W-0	R/W-0	R/W-0	R/W-0	R/W-0	R/W-0	R/W-0
DCRCXOR<15:8>								
7:0	R/W-0	R/W-0	R/W-0	R/W-0	R/W-0	R/W-0	R/W-0	R/W-0
DCRCXOR<7:0>								

Legend:

R = Readable bit

W = Writable bit

U = Unimplemented bit, read as '0'

-n = Value at POR

'1' = Bit is set

'0' = Bit is cleared

x = Bit is unknown

bit 31-0 **DCRCXOR<31:0>**: CRC XOR Register bits

When **CRCTYP (DCRCCON<15>) = 1** (CRC module is in IP Header mode):

This register is unused.

When **CRCTYP (DCRCCON<15>) = 0** (CRC module is in LFSR mode):

1 = Enable the XOR input to the Shift register

0 = Disable the XOR input to the Shift register; data is shifted in directly from the previous stage in the register

REGISTER 10-7: DCHxCON: DMA CHANNEL 'x' CONTROL REGISTER ('x' = 0-7) (CONTINUED)

- bit 4 **CHAEN:** Channel Automatic Enable bit
 1 = Channel is continuously enabled, and not automatically disabled after a block transfer is complete
 0 = Channel is disabled on block transfer complete
- bit 3 **Unimplemented:** Read as '0'
- bit 2 **CHEDET:** Channel Event Detected bit
 1 = An event has been detected
 0 = No events have been detected
- bit 1-0 **CHPRI<1:0>:** Channel Priority bits
 11 = Channel has priority 3 (highest)
 10 = Channel has priority 2
 01 = Channel has priority 1
 00 = Channel has priority 0

- Note 1:** The chain selection bit takes effect when chaining is enabled (i.e., CHCHN = 1).
- 2:** When the channel is suspended by clearing this bit, the user application should poll the CHBUSY bit (if available on the device variant) to see when the channel is suspended, as it may take some clock cycles to complete a current transaction before the channel is suspended.

PIC32MK MCA Family

REGISTER 10-8: DCHxECON: DMA CHANNEL x EVENT CONTROL REGISTER

Bit Range	Bit 31/23/15/7	Bit 30/22/14/6	Bit 29/21/13/5	Bit 28/20/12/4	Bit 27/19/11/3	Bit 26/18/10/2	Bit 25/17/9/1	Bit 24/16/8/0
31:24	U-0	U-0	U-0	U-0	U-0	U-0	U-0	U-0
	—	—	—	—	—	—	—	—
23:16	R/W-1	R/W-1	R/W-1	R/W-1	R/W-1	R/W-1	R/W-1	R/W-1
	CHAIRQ<7:0> ⁽¹⁾							
15:8	R/W-1	R/W-1	R/W-1	R/W-1	R/W-1	R/W-1	R/W-1	R/W-1
	CHSIRQ<7:0> ⁽¹⁾							
7:0	S-0	S-0	R/W-0	R/W-0	R/W-0	U-0	U-0	U-0
	CFORCE	CABORT	PATEN	SIRQEN	AIRQEN	—	—	—

Legend:	S = Settable bit
R = Readable bit	W = Writable bit
-n = Value at POR	'1' = Bit is set
	U = Unimplemented bit, read as '0'
	'0' = Bit is cleared
	x = Bit is unknown

bit 31-24 **Unimplemented:** Read as '0'

bit 23-16 **CHAIRQ<7:0>:** Channel Transfer Abort IRQ bits⁽¹⁾

11111111 = Interrupt 255 will abort any transfers in progress and set CHAIF flag

•
•
•

00000001 = Interrupt 1 will abort any transfers in progress and set CHAIF flag

00000000 = Interrupt 0 will abort any transfers in progress and set CHAIF flag

bit 15-8 **CHSIRQ<7:0>:** Channel Transfer Start IRQ bits⁽¹⁾

11111111 = Interrupt 255 will initiate a DMA transfer

•
•
•

00000001 = Interrupt 1 will initiate a DMA transfer

00000000 = Interrupt 0 will initiate a DMA transfer

Note: The DMA does not support I²C, Change Notification, Input Capture, CTMU, QEI, and Motor Control PWMs. Use of any of these DMA trigger transfer events could lead to unexpected behavior.

bit 7 **CFORCE:** DMA Forced Transfer bit

1 = A DMA transfer is forced to begin when this bit is written to a '1'

0 = This bit always reads '0'

bit 6 **CABORT:** DMA Abort Transfer bit

1 = A DMA transfer is aborted when this bit is written to a '1'

0 = This bit always reads '0'

bit 5 **PATEN:** Channel Pattern Match Abort Enable bit

1 = Abort transfer and clear CHEN on pattern match

0 = Pattern match is disabled

bit 4 **SIRQEN:** Channel Start IRQ Enable bit

1 = Start channel cell transfer if an interrupt matching CHSIRQ occurs

0 = Interrupt number CHSIRQ is ignored and does not start a transfer

bit 3 **AIRQEN:** Channel Abort IRQ Enable bit

1 = Channel transfer is aborted if an interrupt matching CHAIRQ occurs

0 = Interrupt number CHAIRQ is ignored and does not terminate a transfer

bit 2-0 **Unimplemented:** Read as '0'

Note 1: See [Table 7-3: "Interrupt IRQ, Vector and Bit Location"](#) for the list of available interrupt IRQ sources.

PIC32MK MCA Family

REGISTER 10-9: DCHxINT: DMA CHANNEL x INTERRUPT CONTROL REGISTER

Bit Range	Bit 31/23/15/7	Bit 30/22/14/6	Bit 29/21/13/5	Bit 28/20/12/4	Bit 27/19/11/3	Bit 26/18/10/2	Bit 25/17/9/1	Bit 24/16/8/0
31:24	U-0	U-0	U-0	U-0	U-0	U-0	U-0	U-0
	—	—	—	—	—	—	—	—
23:16	R/W-0	R/W-0	R/W-0	R/W-0	R/W-0	R/W-0	R/W-0	R/W-0
	CHSDIE	CHSHIE	CHDDIE	CHDHIE	CHBCIE	CHCCIE	CHTAIE	CHERIE
15:8	U-0	U-0	U-0	U-0	U-0	U-0	U-0	U-0
	—	—	—	—	—	—	—	—
7:0	R/W-0	R/W-0	R/W-0	R/W-0	R/W-0	R/W-0	R/W-0	R/W-0
	CHSDIF	CHSHIF	CHDDIF	CHDHIF	CHBCIF	CHCCIF	CHTAIF	CHERIF

Legend:

R = Readable bit W = Writable bit U = Unimplemented bit, read as '0'
 -n = Value at POR '1' = Bit is set '0' = Bit is cleared x = Bit is unknown

- bit 31-24 **Unimplemented:** Read as '0'
- bit 23 **CHSDIE:** Channel Source Done Interrupt Enable bit
 - 1 = Interrupt is enabled
 - 0 = Interrupt is disabled
- bit 22 **CHSHIE:** Channel Source Half Empty Interrupt Enable bit
 - 1 = Interrupt is enabled
 - 0 = Interrupt is disabled
- bit 21 **CHDDIE:** Channel Destination Done Interrupt Enable bit
 - 1 = Interrupt is enabled
 - 0 = Interrupt is disabled
- bit 20 **CHDHIE:** Channel Destination Half Full Interrupt Enable bit
 - 1 = Interrupt is enabled
 - 0 = Interrupt is disabled
- bit 19 **CHBCIE:** Channel Block Transfer Complete Interrupt Enable bit
 - 1 = Interrupt is enabled
 - 0 = Interrupt is disabled
- bit 18 **CHCCIE:** Channel Cell Transfer Complete Interrupt Enable bit
 - 1 = Interrupt is enabled
 - 0 = Interrupt is disabled
- bit 17 **CHTAIE:** Channel Transfer Abort Interrupt Enable bit
 - 1 = Interrupt is enabled
 - 0 = Interrupt is disabled
- bit 16 **CHERIE:** Channel Address Error Interrupt Enable bit
 - 1 = Interrupt is enabled
 - 0 = Interrupt is disabled
- bit 15-8 **Unimplemented:** Read as '0'
- bit 7 **CHSDIF:** Channel Source Done Interrupt Flag bit
 - 1 = Channel Source Pointer has reached end of source (CHSPTR = CHSSIZ)
 - 0 = No interrupt is pending
- bit 6 **CHSHIF:** Channel Source Half Empty Interrupt Flag bit
 - 1 = Channel Source Pointer has reached midpoint of source (CHSPTR = CHSSIZ/2)
 - 0 = No interrupt is pending

PIC32MK MCA Family

REGISTER 10-9: DCHxINT: DMA CHANNEL x INTERRUPT CONTROL REGISTER (CONTINUED)

- bit 5 **CHDDIF**: Channel Destination Done Interrupt Flag bit
 1 = Channel Destination Pointer has reached end of destination (CHDPTR = CHDSIZ)
 0 = No interrupt is pending
- bit 4 **CHDHIF**: Channel Destination Half Full Interrupt Flag bit
 1 = Channel Destination Pointer has reached midpoint of destination (CHDPTR = CHDSIZ/2)
 0 = No interrupt is pending
- bit 3 **CHBCIF**: Channel Block Transfer Complete Interrupt Flag bit
 1 = A block transfer has been completed (the larger of CHSSIZ/CHDSIZ bytes has been transferred), or a
 pattern match event occurs
 0 = No interrupt is pending
- bit 2 **CHCCIF**: Channel Cell Transfer Complete Interrupt Flag bit
 1 = A cell transfer has been completed (CHCSIZ bytes have been transferred)
 0 = No interrupt is pending
- bit 1 **CHTAIF**: Channel Transfer Abort Interrupt Flag bit
 1 = An interrupt matching CHAIRQ has been detected and the DMA transfer has been aborted
 0 = No interrupt is pending
- bit 0 **CHERIF**: Channel Address Error Interrupt Flag bit
 1 = A channel address error has been detected
 Either the source or the destination address is invalid.
 0 = No interrupt is pending

PIC32MK MCA Family

REGISTER 10-10: DCHxSSA: DMA CHANNEL x SOURCE START ADDRESS REGISTER

Bit Range	Bit 31/23/15/7	Bit 30/22/14/6	Bit 29/21/13/5	Bit 28/20/12/4	Bit 27/19/11/3	Bit 26/18/10/2	Bit 25/17/9/1	Bit 24/16/8/0
31:24	R/W-0	R/W-0	R/W-0	R/W-0	R/W-0	R/W-0	R/W-0	R/W-0
	CHSSA<31:24>							
23:16	R/W-0	R/W-0	R/W-0	R/W-0	R/W-0	R/W-0	R/W-0	R/W-0
	CHSSA<23:16>							
15:8	R/W-0	R/W-0	R/W-0	R/W-0	R/W-0	R/W-0	R/W-0	R/W-0
	CHSSA<15:8>							
7:0	R/W-0	R/W-0	R/W-0	R/W-0	R/W-0	R/W-0	R/W-0	R/W-0
	CHSSA<7:0>							

Legend:

R = Readable bit
-n = Value at POR

W = Writable bit
'1' = Bit is set

U = Unimplemented bit, read as '0'
'0' = Bit is cleared
x = Bit is unknown

bit 31-0 **CHSSA<31:0>** Channel Source Start Address bits
Channel source start address.

Note: This must be the physical address of the source.

REGISTER 10-11: DCHxDOSA: DMA CHANNEL x DESTINATION START ADDRESS REGISTER

Bit Range	Bit 31/23/15/7	Bit 30/22/14/6	Bit 29/21/13/5	Bit 28/20/12/4	Bit 27/19/11/3	Bit 26/18/10/2	Bit 25/17/9/1	Bit 24/16/8/0
31:24	R/W-0	R/W-0	R/W-0	R/W-0	R/W-0	R/W-0	R/W-0	R/W-0
	CHDSA<31:24>							
23:16	R/W-0	R/W-0	R/W-0	R/W-0	R/W-0	R/W-0	R/W-0	R/W-0
	CHDSA<23:16>							
15:8	R/W-0	R/W-0	R/W-0	R/W-0	R/W-0	R/W-0	R/W-0	R/W-0
	CHDSA<15:8>							
7:0	R/W-0	R/W-0	R/W-0	R/W-0	R/W-0	R/W-0	R/W-0	R/W-0
	CHDSA<7:0>							

Legend:

R = Readable bit
-n = Value at POR

W = Writable bit
'1' = Bit is set

U = Unimplemented bit, read as '0'
'0' = Bit is cleared
x = Bit is unknown

bit 31-0 **CHDSA<31:0>**: Channel Destination Start Address bits
Channel destination start address.

Note: This must be the physical address of the destination.

PIC32MK MCA Family

REGISTER 10-12: DCHxSSIZ: DMA CHANNEL x SOURCE SIZE REGISTER

Bit Range	Bit 31/23/15/7	Bit 30/22/14/6	Bit 29/21/13/5	Bit 28/20/12/4	Bit 27/19/11/3	Bit 26/18/10/2	Bit 25/17/9/1	Bit 24/16/8/0
31:24	U-0	U-0	U-0	U-0	U-0	U-0	U-0	U-0
	—	—	—	—	—	—	—	—
23:16	U-0	U-0	U-0	U-0	U-0	U-0	U-0	U-0
	—	—	—	—	—	—	—	—
15:8	R/W-0	R/W-0	R/W-0	R/W-0	R/W-0	R/W-0	R/W-0	R/W-0
	CHSSIZ<15:8>							
7:0	R/W-0	R/W-0	R/W-0	R/W-0	R/W-0	R/W-0	R/W-0	R/W-0
	CHSSIZ<7:0>							

Legend:

R = Readable bit	W = Writable bit	U = Unimplemented bit, read as '0'
-n = Value at POR	'1' = Bit is set	'0' = Bit is cleared x = Bit is unknown

bit 31-16 **Unimplemented:** Read as '0'

bit 15-0 **CHSSIZ<15:0>**: Channel Source Size bits

```

111111111111111111 = 65,535 byte source size
.
.
.
00000000000000010 = 2 byte source size
00000000000000001 = 1 byte source size
00000000000000000 = 65,536 byte source size
    
```

PIC32MK MCA Family

REGISTER 10-13: DCHxDSIZ: DMA CHANNEL x DESTINATION SIZE REGISTER

Bit Range	Bit 31/23/15/7	Bit 30/22/14/6	Bit 29/21/13/5	Bit 28/20/12/4	Bit 27/19/11/3	Bit 26/18/10/2	Bit 25/17/9/1	Bit 24/16/8/0
31:24	U-0	U-0	U-0	U-0	U-0	U-0	U-0	U-0
	—	—	—	—	—	—	—	—
23:16	U-0	U-0	U-0	U-0	U-0	U-0	U-0	U-0
	—	—	—	—	—	—	—	—
15:8	R/W-0	R/W-0	R/W-0	R/W-0	R/W-0	R/W-0	R/W-0	R/W-0
	CHDSIZ<15:8>							
7:0	R/W-0	R/W-0	R/W-0	R/W-0	R/W-0	R/W-0	R/W-0	R/W-0
	CHDSIZ<7:0>							

Legend:

R = Readable bit

W = Writable bit

U = Unimplemented bit, read as '0'

-n = Value at POR

'1' = Bit is set

'0' = Bit is cleared

x = Bit is unknown

bit 31-16 **Unimplemented:** Read as '0'

bit 15-0 **CHDSIZ<15:0>**: Channel Destination Size bits

1111111111111111 = 65,535 byte destination size

.

.

.

0000000000000010 = 2 byte destination size

0000000000000001 = 1 byte destination size

0000000000000000 = 65,536 byte destination size

PIC32MK MCA Family

REGISTER 10-14: DCHxSPTR: DMA CHANNEL x SOURCE POINTER REGISTER

Bit Range	Bit 31/23/15/7	Bit 30/22/14/6	Bit 29/21/13/5	Bit 28/20/12/4	Bit 27/19/11/3	Bit 26/18/10/2	Bit 25/17/9/1	Bit 24/16/8/0
31:24	U-0	U-0	U-0	U-0	U-0	U-0	U-0	U-0
	—	—	—	—	—	—	—	—
23:16	U-0	U-0	U-0	U-0	U-0	U-0	U-0	U-0
	—	—	—	—	—	—	—	—
15:8	R-0	R-0	R-0	R-0	R-0	R-0	R-0	R-0
	CHSPTR<15:8>							
7:0	R-0	R-0	R-0	R-0	R-0	R-0	R-0	R-0
	CHSPTR<7:0>							

Legend:

R = Readable bit

W = Writable bit

U = Unimplemented bit, read as '0'

-n = Value at POR

'1' = Bit is set

'0' = Bit is cleared

x = Bit is unknown

bit 31-16 **Unimplemented:** Read as '0'

bit 15-0 **CHSPTR<15:0>**: Channel Source Pointer bits

1111111111111111 = Points to byte 65,535 of the source

.

.

.

0000000000000001 = Points to byte 1 of the source

0000000000000000 = Points to byte 0 of the source

Note: When in Pattern Detect mode, this register is reset on a pattern detect.

PIC32MK MCA Family

REGISTER 10-15: DCHxDPTR: DMA CHANNEL x DESTINATION POINTER REGISTER

Bit Range	Bit 31/23/15/7	Bit 30/22/14/6	Bit 29/21/13/5	Bit 28/20/12/4	Bit 27/19/11/3	Bit 26/18/10/2	Bit 25/17/9/1	Bit 24/16/8/0
31:24	U-0	U-0	U-0	U-0	U-0	U-0	U-0	U-0
	—	—	—	—	—	—	—	—
23:16	U-0	U-0	U-0	U-0	U-0	U-0	U-0	U-0
	—	—	—	—	—	—	—	—
15:8	R-0	R-0	R-0	R-0	R-0	R-0	R-0	R-0
	CHDPTR<15:8>							
7:0	R-0	R-0	R-0	R-0	R-0	R-0	R-0	R-0
	CHDPTR<7:0>							

Legend:

R = Readable bit

W = Writable bit

U = Unimplemented bit, read as '0'

-n = Value at POR

'1' = Bit is set

'0' = Bit is cleared

x = Bit is unknown

bit 31-16 **Unimplemented:** Read as '0'

bit 15-0 **CHDPTR<15:0>:** Channel Destination Pointer bits

1111111111111111 = Points to byte 65,535 of the destination

.

.

.

0000000000000001 = Points to byte 1 of the destination

0000000000000000 = Points to byte 0 of the destination

PIC32MK MCA Family

REGISTER 10-16: DCHxCSIZ: DMA CHANNEL x CELL-SIZE REGISTER

Bit Range	Bit 31/23/15/7	Bit 30/22/14/6	Bit 29/21/13/5	Bit 28/20/12/4	Bit 27/19/11/3	Bit 26/18/10/2	Bit 25/17/9/1	Bit 24/16/8/0
31:24	U-0	U-0	U-0	U-0	U-0	U-0	U-0	U-0
	—	—	—	—	—	—	—	—
23:16	U-0	U-0	U-0	U-0	U-0	U-0	U-0	U-0
	—	—	—	—	—	—	—	—
15:8	R/W-0	R/W-0	R/W-0	R/W-0	R/W-0	R/W-0	R/W-0	R/W-0
	CHCSIZ<15:8>							
7:0	R/W-0	R/W-0	R/W-0	R/W-0	R/W-0	R/W-0	R/W-0	R/W-0
	CHCSIZ<7:0>							

Legend:

R = Readable bit

W = Writable bit

U = Unimplemented bit, read as '0'

-n = Value at POR

'1' = Bit is set

'0' = Bit is cleared

x = Bit is unknown

bit 31-16 **Unimplemented:** Read as '0'

bit 15-0 **CHCSIZ<15:0>**: Channel Cell-Size bits

1111111111111111 = 65,535 bytes transferred on an event

.

.

.

0000000000000010 = 2 bytes transferred on an event

0000000000000001 = 1 byte transferred on an event

0000000000000000 = 65,536 bytes transferred on an event

PIC32MK MCA Family

REGISTER 10-17: DCHxCPTR: DMA CHANNEL x CELL POINTER REGISTER

Bit Range	Bit 31/23/15/7	Bit 30/22/14/6	Bit 29/21/13/5	Bit 28/20/12/4	Bit 27/19/11/3	Bit 26/18/10/2	Bit 25/17/9/1	Bit 24/16/8/0
31:24	U-0	U-0	U-0	U-0	U-0	U-0	U-0	U-0
	—	—	—	—	—	—	—	—
23:16	U-0	U-0	U-0	U-0	U-0	U-0	U-0	U-0
	—	—	—	—	—	—	—	—
15:8	R-0	R-0	R-0	R-0	R-0	R-0	R-0	R-0
	CHCPTR<15:8>							
7:0	R-0	R-0	R-0	R-0	R-0	R-0	R-0	R-0
	CHCPTR<7:0>							

Legend:

R = Readable bit
-n = Value at POR

W = Writable bit
'1' = Bit is set

U = Unimplemented bit, read as '0'
'0' = Bit is cleared
x = Bit is unknown

bit 31-16 **Unimplemented:** Read as '0'

bit 15-0 **CHCPTR<15:0>:** Channel Cell Progress Pointer bits

1111111111111111 = 65,535 bytes have been transferred since the last event

·
·
·

0000000000000001 = 1 byte has been transferred since the last event

0000000000000000 = 0 bytes have been transferred since the last event

Note: When in Pattern Detect mode, this register is reset on a pattern detect.

PIC32MK MCA Family

REGISTER 10-18: DCHxDAT: DMA CHANNEL x PATTERN DATA REGISTER

Bit Range	Bit 31/23/15/7	Bit 30/22/14/6	Bit 29/21/13/5	Bit 28/20/12/4	Bit 27/19/11/3	Bit 26/18/10/2	Bit 25/17/9/1	Bit 24/16/8/0
31:24	U-0	U-0	U-0	U-0	U-0	U-0	U-0	U-0
	—	—	—	—	—	—	—	—
23:16	U-0	U-0	U-0	U-0	U-0	U-0	U-0	U-0
	—	—	—	—	—	—	—	—
15:8	R/W-0	R/W-0	R/W-0	R/W-0	R/W-0	R/W-0	R/W-0	R/W-0
	CHPDAT<15:8>							
7:0	R/W-0	R/W-0	R/W-0	R/W-0	R/W-0	R/W-0	R/W-0	R/W-0
	CHPDAT<7:0>							

Legend:

R = Readable bit

W = Writable bit

U = Unimplemented bit, read as '0'

-n = Value at POR

'1' = Bit is set

'0' = Bit is cleared

x = Bit is unknown

bit 31-16 **Unimplemented:** Read as '0'

bit 15-0 **CHPDAT<15:0>**: Channel Data Register bits

Pattern Terminate mode:

Data to be matched must be stored in this register to allow terminate on match.

All other modes:

Unused.

11.0 I/O PORTS

Note: This data sheet summarizes the features of the PIC32MK MCA Family of devices. It is not intended to be a comprehensive reference source. To complement the information in this data sheet, refer to **Section 12. “I/O Ports”** (DS60001120), which is available from the *Documentation > Reference Manual* section of the Microchip PIC32 web site (www.microchip.com/pic32).

General purpose I/O pins are the simplest of peripherals. They allow the PIC32MK MCA Family of devices to monitor and control other devices. To add flexibility and functionality, some pins are multiplexed

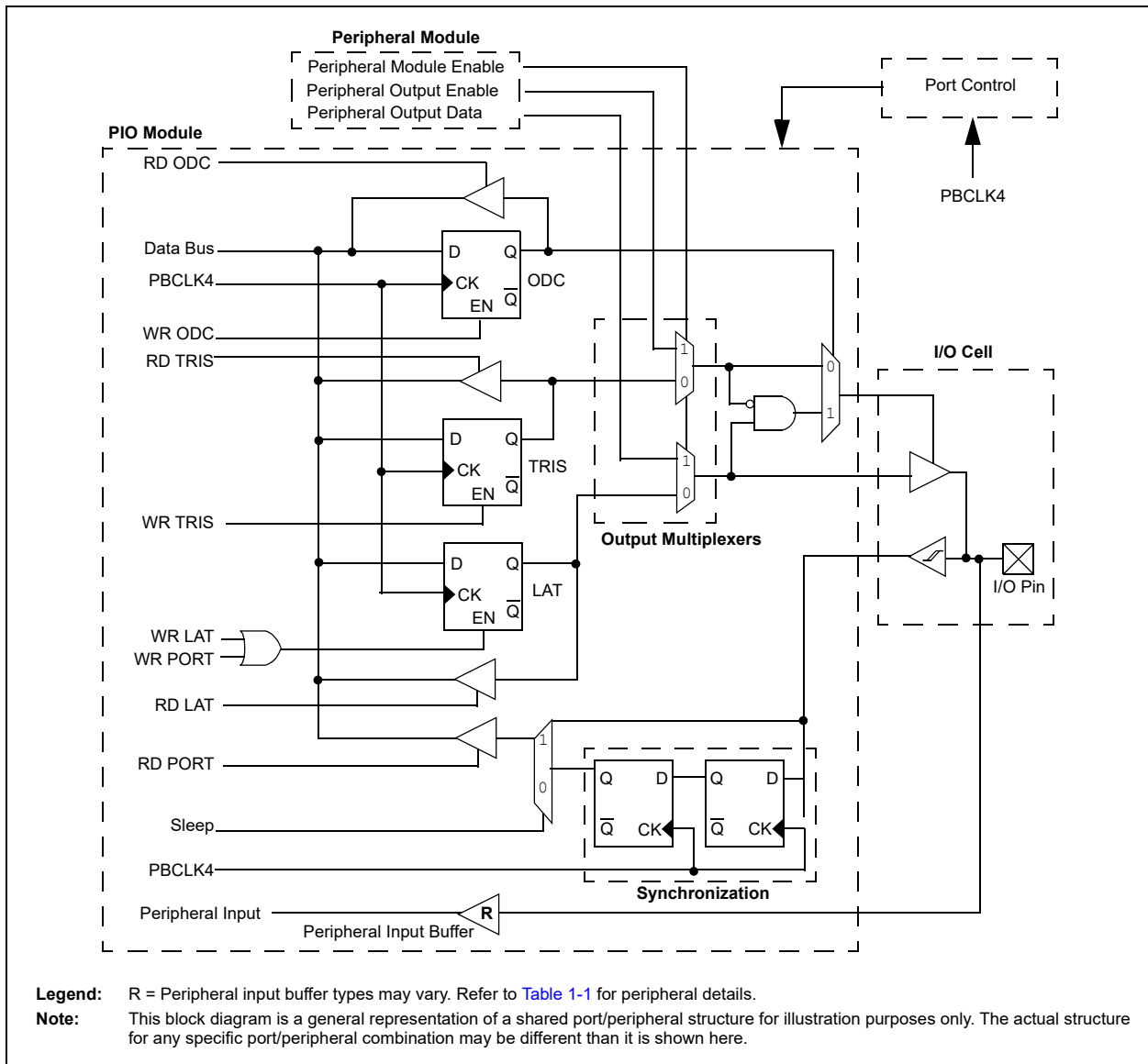
with alternate functions. These functions depend on which peripheral features are on the device. In general, when a peripheral is functioning, that pin may not be used as a general purpose I/O pin.

The following are key features of the I/O ports:

- Individual output pin open-drain enable/disable
- Individual input pin weak pull-up and pull-down
- Monitor selective inputs and generate interrupt when change in pin state is detected
- Operation during Sleep and Idle modes
- Fast bit manipulation using CLR, SET, and INV registers

Figure 11-1 illustrates a block diagram of a typical multiplexed I/O port.

FIGURE 11-1: BLOCK DIAGRAM OF A TYPICAL MULTIPLEXED PORT STRUCTURE



PIC32MK MCA Family

11.1 Parallel I/O (PIO) Ports

All port pins have ten registers directly associated with their operation as digital I/O. The data direction register (TRISx) determines whether the pin is an input or an output. If the data direction bit is a '1', then the pin is an input. All port pins are defined as inputs after a Reset. Reads from the latch (LATx) read the latch. Writes to the latch write the latch. Reads from the port (PORTx) read the port pins, while writes to the port pins write the latch.

11.1.1 OPEN-DRAIN CONFIGURATION

In addition to the PORTx, LATx, and TRISx registers for data control, some port pins can also be individually configured for either digital or open-drain output. This is controlled by the Open-Drain Control register, ODCx, associated with each port. Setting any of the bits configures the corresponding pin to act as an open-drain output.

The open-drain feature allows the generation of outputs higher than VDD (e.g., 5V) on any desired 5V-tolerant pins by using external pull-up resistors. The maximum open-drain voltage allowed is the same as the maximum VIH specification.

Refer to the pin name tables ([Table 2](#) and [Table 4](#)) for the available pins and their functionality.

11.1.2 CONFIGURING ANALOG AND DIGITAL PORT PINS

The ANSELx register controls the operation of the analog port pins. The port pins that are to function as analog inputs must have their corresponding ANSEL and TRIS bits set. In order to use port pins for I/O functionality with digital modules, such as Timers, UARTs, etc., the corresponding ANSELx bit must be cleared.

The ANSELx register has a default value of 0xFFFF; therefore, all pins that share analog functions are analog (not digital) by default.

If the TRIS bit is cleared (output) while the ANSELx bit is set, the digital output level (VOH or VOL) is converted by an analog peripheral, such as the ADC module or Comparator module.

When the PORT register is read, all pins configured as analog input channels are read as cleared (a low level).

Pins configured as digital inputs do not convert an analog input. Analog levels on any pin defined as a digital input (including the ANx pins) can cause the input buffer to consume current that exceeds the device specifications.

11.1.3 I/O PORT WRITE/READ TIMING

One instruction cycle is required between a port direction change or port write operation and a read operation of the same port. Typically this instruction would be an NOP.

11.1.4 INPUT CHANGE NOTIFICATION

The input change notification function of the I/O ports allows the PIC32MK MCA Family devices to generate interrupt requests to the processor in response to a change-of-state on selected input pins. This feature can detect input change-of-states even in Sleep mode, when the clocks are disabled. Every I/O port pin can be selected (enabled) for generating an interrupt request on a change-of-state.

Five control registers are associated with the CN functionality of each I/O port. The CNENx and CNNEx registers contain the CN interrupt enable control bits for each of the input pins. Setting these bits enables a CN interrupt for the corresponding pins. The CNENx register enables a mismatch CN interrupt condition when the EDGEDETECT bit (CNCONx<11>) is not set. When the EDGEDETECT bit is set, the CNNEx register controls the negative edge while the CNENx register controls the positive edge.

The CNSTATx and CNFx registers indicate the status of change notice based on the setting of the EDGEDETECT bit. If the EDGEDETECT bit is set to '0', the CNSTATx register indicates whether a change occurred on the corresponding pin since the last read of the PORTx bit. If the EDGEDETECT bit is set to '1', the CNFx register indicates whether a change has occurred and through the CNNEx and CNENx registers the edge type of the change that occurred is also indicated.

Each I/O pin also has a weak pull-up and a weak pull-down connected to it. The pull-ups act as a current source or sink source connected to the pin, and eliminate the need for external resistors when push-button or keypad devices are connected. The pull-ups and pull-downs are enabled separately using the CNPUx and the CNPDx registers, which contain the control bits for each of the pins. Setting any of the control bits enables the weak pull-ups and/or pull-downs for the corresponding pins.

Note: Pull-ups and pull-downs on change notification pins should always be disabled when the port pin is configured as a digital output.

An additional control register (CNCONx) is shown in [Register 11-3](#).

11.2 CLR, SET, and INV Registers

Every I/O module register has a corresponding CLR (clear), SET (set) and INV (invert) register designed to provide fast atomic bit manipulations. As the name of the register implies, a value written to a SET, CLR or INV register effectively performs the implied operation, but only on the corresponding base register and only bits specified as '1' are modified. Bits specified as '0' are not modified.

Reading SET, CLR and INV registers returns undefined values. To see the affects of a write operation to a SET, CLR or INV register, the base register must be read.

11.3 Peripheral Pin Select (PPS)

A major challenge in general purpose devices is providing the largest possible set of peripheral features while minimizing the conflict of features on I/O pins. The challenge is even greater on low pin-count devices. In an application where more than one peripheral needs to be assigned to a single pin, inconvenient workarounds in application code or a complete redesign may be the only option.

PPS configuration provides an alternative to these choices by enabling peripheral set selection and their placement on a wide range of I/O pins. By increasing the pinout options available on a particular device, users can better tailor the device to their entire application, rather than trimming the application to fit the device.

The PPS configuration feature operates over a fixed subset of digital I/O pins. Users may independently map the input and/or output of most digital peripherals to these I/O pins. PPS is performed in software and generally does not require the device to be reprogrammed. Hardware safeguards are included that prevent accidental or spurious changes to the peripheral mapping once it has been established.

11.3.1 AVAILABLE PINS

The number of available pins is dependent on the particular device and its pin count. Pins that support the PPS feature include the designation "RPn" in their full pin designation, where "RP" designates a remappable peripheral and "n" is the remappable port number.

11.3.2 AVAILABLE PERIPHERALS

The peripherals managed by the PPS are all digital-only peripherals. These include general serial communications (UART and SPI), general purpose timer clock inputs, timer-related peripherals (input capture and output compare), interrupt-on-change inputs, and reference clocks (input and output).

In comparison, some digital-only peripheral modules are never included in the PPS feature. This is because the peripheral's function requires special I/O circuitry on a specific port and cannot be easily connected to multiple pins. A similar requirement excludes all modules with analog inputs, such as the Analog-to-Digital Converter (ADC).

A key difference between remappable and non-remappable peripherals is that remappable peripherals are not associated with a default I/O pin. The peripheral must always be assigned to a specific I/O pin before it can be used. In contrast, non-remappable peripherals are always available on a default pin, assuming that the peripheral is active and not conflicting with another peripheral.

When a remappable peripheral is active on a given I/O pin, it takes priority over all other digital I/O and digital communication peripherals associated with the pin. Priority is given regardless of the type of peripheral that is mapped. Remappable peripherals never take priority over any analog functions associated with the pin.

11.3.3 CONTROLLING PPS

PPS features are controlled through two sets of SFRs: one to map peripheral inputs, and one to map outputs. Because they are separately controlled, a particular peripheral's input and output (if the peripheral has both) can be placed on any selectable function pin without constraint.

The association of a peripheral to a peripheral-selectable pin is handled in two different ways, depending on whether an input or output is being mapped.

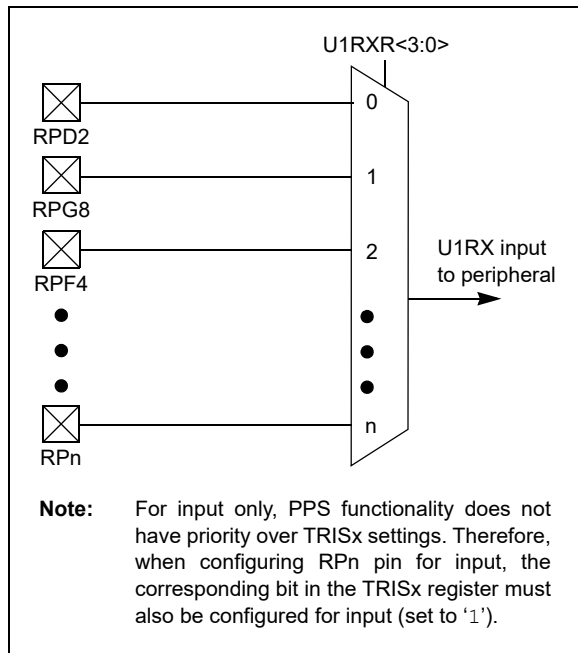
11.3.4 INPUT MAPPING

The inputs of the PPS options are mapped on the basis of the peripheral. That is, a control register associated with a peripheral dictates the pin it will be mapped to. The *[pin name]R* registers, where *[pin name]* refers to the peripheral pins listed in [Table 11-1](#), are used to configure peripheral input mapping (see [Register 11-1](#)). Each register contains sets of 4 bit fields. Programming these bit fields with an appropriate value maps the RPn pin with the corresponding value to that peripheral. For any given device, the valid range of values for any bit field is shown in [Table 11-1](#).

[Figure 11-2](#) illustrates the remappable pin selection for the U1RX input.

PIC32MK MCA Family

FIGURE 11-2: REMAPPABLE INPUT EXAMPLE FOR U1RX



PIC32MK MCA Family

TABLE 11-1: INPUT PIN SELECTION

Peripheral Pin	[pin name]R SFR	[pin name]R bits	[pin name]R Value to RPN Pin Selection
INT4	INT4R<3:0>	INT4R	0000 = RPA0 0001 = RPB3 0010 = RPB4 0011 = RPB15 0100 = RPB7 0101 = RPC7 ⁽¹⁾ 0110 = RPC0 ⁽¹⁾ 0111 = Reserved 1000 = RPA11 ⁽¹⁾ 1001 = Reserved 1010 = Reserved 1011 = Reserved 1100 = Reserved 1101 = Reserved 1110 = Reserved 1111 = Reserved
T2CK	T2CKR<3:0>	T2CKR	
IC4	IC4R<3:0>	IC4R	
SDI1	SDI1R<3:0>	SDI1R	
QEA1	QEA1R<3:0>	QEA1R	
INDX2	INDX2R<3:0>	INDX2	
FLT1	FLT1R<3:0>	FLT1R	
REFCLKI	REFIR <3:0>	REFIR	
CLCINC	CLCINCR<3:0>	CLCINCR	

Note 1: 48-pin devices only.

PIC32MK MCA Family

TABLE 11-1: INPUT PIN SELECTION (CONTINUED)

Peripheral Pin	[pin name]R SFR	[pin name]R bits	[pin name]R Value to RPN Pin Selection
INT3	INT3R<3:0>	INT3R	0000 = RPA1 0001 = RPB5 0010 = RPB1 0011 = RPB11 0100 = RPB8 ⁽¹⁾ 0101 = RPA8 ⁽¹⁾ 0110 = RPC8 ⁽¹⁾ 0111 = RPB12 1000 = RPA12 ⁽¹⁾ 1001 = Reserved 1010 = Reserved 1011 = Reserved 1100 = Reserved 1101 = Reserved 1110 = Reserved 1111 = Reserved
T3CK	T3CKR<3:0>	T3CKR	
IC3	IC3R<3:0>	IC3R	
U1CTS	U1CTSR<3:0>	U1CTSR	
U2RX	U2RXR<3:0>	U2RXR	
SDI2	SDI2R<3:0>	SDI2R	
QEB1	QEB1R<3:0>	QEB1R	
HOME2	HOME2R<3:0>	HOME2R	
FLT2	FLT2R <3:0>	FLT2R	
CLCINA	CLCINAR<3:0>	CLCINAR	

Note 1: 48-pin devices only.

PIC32MK MCA Family

TABLE 11-1: INPUT PIN SELECTION (CONTINUED)

Peripheral Pin	[pin name]R SFR	[pin name]R bits	[pin name]R Value to RPN Pin Selection
INT2	INT2R<3:0>	INT2R	0000 = RPB6 0001 = RPC15 0010 = RPA4 0011 = RPB13 0100 = RPB2 0101 = RPC6 ⁽¹⁾ 0110 = RPC1 ⁽¹⁾ 0111 = RPA7 ⁽¹⁾ 1000 = Reserved 1001 = RPC13 ⁽¹⁾ 1010 = Reserved 1011 = Reserved 1100 = Reserved 1101 = Reserved 1110 = Reserved 1111 = Reserved
T4CK	T4CKR<3:0>	T4CKR	
IC1	IC1R<3:0>	IC1R	
U1RX	U1RXR<3:0>	U1RXR	
U2CTS	U2CTSR<3:0>	U2CTSR	
SS1	SS1R<3:0>	SS1R	
SCK2	SCK2R[3:0]	SCK2R	
INDX1	INDX1R<3:0>	INDX1R	
QEB2	QEB2R<3:0>	QEB2R	
OCFB	OCFBR<3:0>	OCFBR	
CLCIND	CLCINDR<3:0>	CLCINDR	

Note 1: 48-pin devices only.

PIC32MK MCA Family

TABLE 11-1: INPUT PIN SELECTION (CONTINUED)

Peripheral Pin	[pin name]R SFR	[pin name]R bits	[pin name]R Value to RPN Pin Selection
INT1	INT1R<3:0>	INT1R	0000 = RPB14 0001 = RPC12 0010 = RPB0 0011 = RPB10 0100 = RPB9 0101 = RPC9 ⁽¹⁾ 0110 = RPC2 ⁽¹⁾ 0111 = RPD8 ⁽¹⁾ 1000 = Reserved 1001 = RPC10 ⁽¹⁾ 1010 = Reserved 1011 = Reserved 1100 = Reserved 1101 = Reserved 1110 = Reserved 1111 = Reserved
T5CK	T5CKR<3:0>	T5CKR	
IC2	IC2R<3:0>	IC2R	
SS2	SS2R<3:0>	SS2R	
HOME1	HOME1R<3:0>	HOME1R	
QEA2	QEA2R<3:0>	QEA2R	
OCFA	OCFAR<3:0>	OCFAR	
CLCINB	CLCINBR<3:0>	CLCINBR	

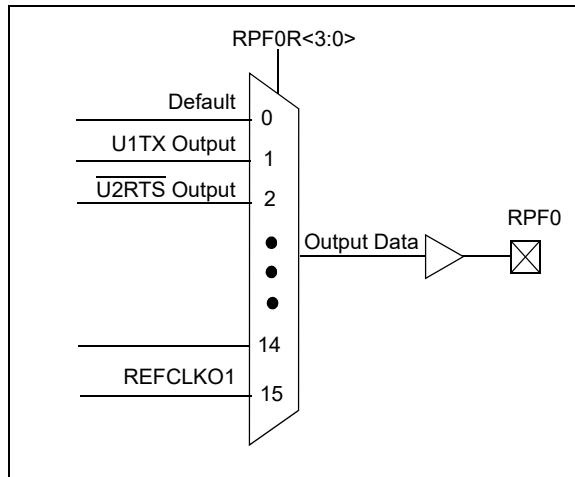
Note 1: 48-pin devices only.

11.3.5 OUTPUT MAPPING

In contrast to inputs, the outputs of the PPS options are mapped on the basis of the pin. In this case, a control register associated with a particular pin dictates the peripheral output to be mapped. The RPNR registers (Register 11-2) are used to control output mapping. Like the [pin name]R registers, each register contains sets of 4 bit fields. The value of the bit field corresponds to one of the peripherals, and that peripheral's output is mapped to the pin (see Table 11-2 and Figure 11-3).

A null output is associated with the output register reset value of '0'. This is done to ensure that remappable outputs remain disconnected from all output pins by default.

FIGURE 11-3: EXAMPLE OF MULTIPLEXING OF REMAPPABLE OUTPUT FOR RPF0



11.3.6 CONTROLLING CONFIGURATION CHANGES

Because peripheral remapping can be changed during run time, some restrictions on peripheral remapping are needed to prevent accidental configuration changes. The PIC32MK MCA Family devices include two features to prevent alterations to the peripheral map:

- Control register lock sequence
- Configuration bit select lock

11.3.6.1 Control Register Lock

Under normal operation, writes to the RPNR and [pin name]R registers are not allowed. Attempted writes appear to execute normally, but the contents of the registers remain unchanged. To change these registers, they must be unlocked in hardware. The register lock is controlled by the IOLOCK Configuration bit (CFGCON<13>). Setting the IOLOCK bit prevents writes to the control registers and clearing the IOLOCK bit allows writes.

To set or clear the IOLOCK bit, an unlock sequence must be executed. Refer to the Section 42. "Oscillators with Enhanced PLL" (DS60001250) in the "PIC32 Family Reference Manual" for details.

11.3.6.2 Configuration Bit Select Lock

As an additional level of safety, the device can be configured to prevent more than one write session to the RPNR and [pin name]R registers. The IOL1WAY Configuration bit (DEVCFG3<29>) blocks the IOLOCK bit from being cleared after it has been set once. If the IOLOCK bit remains set, the register unlock procedure does not execute, and the PPS control registers cannot be written to. The only way to clear the bit and reenable peripheral remapping is to perform a device Reset.

In the default (unprogrammed) state, IOL1WAY is set, restricting users to one write session.

PIC32MK MCA Family

TABLE 11-2: OUTPUT PIN SELECTION

RPn Port Pin	RPnR SFR	RPnR bits	RPnR Value to Peripheral Selection
RPA0	RPA0R	RPA0R<4:0>	00000 = Off 00001 = U1TX 00010 = U2RTS 00011 = SDO1 ⁽³⁾ 00100 = SDO2 00101 = OCI 00110 = Reserved 00111 = C2OUT 01000 = Reserved 01001 = Reserved 01010 = Reserved 01011 = Reserved 01100 = C1TX ⁽⁴⁾ 01101 = Reserved 01110 = Reserved ... 10001 = Reserved 10010 = REFCLKO4 10011 = Reserved 10100 = QEICMP1 10101 = Reserved 10110 = Reserved 10111 = Reserved ... 11111 = Reserved
RPB3	RPB3R	RPB3R<4:0>	
RPB4	RPB4R	RPB4R<4:0>	
RPB15	RPB15R	RPB15R<4:0>	
RPB7	RPB7R	RPB7R<4:0>	
RPC7 ⁽¹⁾	RPC7R	RPC7R<4:0>	
RPC0 ⁽¹⁾	RPC0R	RPC0R<4:0>	
RPA11 ⁽¹⁾	RPA11R	RPA11R<4:0>	

- Note 1:** 48-pin devices only.
- Note 2:** 48-pin and 32-pin devices only.
- Note 3:** Allows SDO to be mapped to the same pin as SDI.
- Note 4:** Acts as output when the SPI module is Host mode.
- Note 5:** SPI Frame Sync Output in Frame Host mode

PIC32MK MCA Family

TABLE 11-2: OUTPUT PIN SELECTION (CONTINUED)

RPn Port Pin	RPnR SFR	RPnR bits	RPnR Value to Peripheral Selection
RPA1	RPA1R	RPA1R<4:0>	00000 = Off 00001 = Reserved
RPB5	RPB5R	RPB5R<4:0>	00010 = Reserved 00011 = SDO1
RPB1	RPB1R	RPB1R<4:0>	00100 = SDO2 ⁽³⁾ 00101 = OC2
RPB11	RPB11R	RPB11R<4:0>	00110 = Reserved 00111 = C3OUT
RPA8 ⁽¹⁾	RPA8R	RPA8R<4:0>	01000 = Reserved 01001 = Reserved
RPC8	RPC8R	RPC8R<4:0>	***
RPB12	RPB12R	RPB12R<4:0>	10001 = Reserved 10010 = REFOUT3
RPA12	RPA12R	RPA12R<4:0>	10011 = Reserved 10100 = QEICMP2
RPD6 ⁽¹⁾	RPD6R	RPD6R<4:0>	10101 = Reserved 10110 = Reserved
RPG7 ⁽¹⁾	RPG7R	RPG7R<4:0>	10111 = Reserved 11000 = CLCO1
RPE1 ⁽¹⁾	RPE1R	RPE1R<4:0>	11001 = Reserved ***
RPA14 ⁽¹⁾	RPA14R	RPA14R<4:0>	11111 = Reserved

- Note 1:** 48-pin devices only.
Note 2: 48-pin and 32-pin devices only.
Note 3: Allows SDO to be mapped to the same pin as SDI.
Note 4: Acts as output when the SPI module is Host mode.
Note 5: SPI Frame Sync Output in Frame Host mode

PIC32MK MCA Family

TABLE 11-2: OUTPUT PIN SELECTION (CONTINUED)

RPn Port Pin	RPnR SFR	RPnR bits	RPnR Value to Peripheral Selection
RPB6	RPB6R	RPB6R<4:0>	00000 = Off 00001 = Reserved
RPC15	RPC15R	RPC15R<4:0>	00010 = Reserved 00011 = SS1 ⁽⁵⁾
RPA4	RPA4R	RPA4R<4:0>	00100 = SCK2 ⁽⁴⁾ 00101 = OC4
RPB13	RPB13R	RPB13R<4:0>	00110 = Reserved 00111 = REFOUT1
RPB2	RPB2R	RPB2R<4:0>	01000 = Reserved 01001 = Reserved
RPC6 ⁽¹⁾	RPC6R	RPC6R<4:0>	***
RPC1 ⁽¹⁾	RPC1R	RPC1R<4:0>	10001 = Reserved 10010 = REFOUT2 10011 = Reserved
RPA7 ⁽²⁾	RPA7R	RPA7R<4:0>	*** 11111 = Reserved

- Note 1:** 48-pin devices only.
Note 2: 48-pin and 32-pin devices only.
Note 3: Allows SDO to be mapped to the same pin as SDI.
Note 4: Acts as output when the SPI module is Host mode.
Note 5: SPI Frame Sync Output in Frame Host mode

PIC32MK MCA Family

TABLE 11-2: OUTPUT PIN SELECTION (CONTINUED)

RPn Port Pin	RPnR SFR	RPnR bits	RPnR Value to Peripheral Selection
RPB14	RPB14R	RPB14R<4:0>	00000 = Off
RPC12	RPC12R	RPC12R<4:0>	00001 = U1RTS 00010 = U2TX
RPB0	RPB0R	RPB0R<4:0>	00011 = Reserved
RPB10	RPB10R	RPB10R<4:0>	00100 = SS2 ⁽⁵⁾ 00101 = OC3
RPB9 ⁽¹⁾	RPB9R	RPB9R<4:0>	00110 = Reserved
RPC9 ⁽¹⁾	RPC9R	RPC9R<4:0>	00111 = C1OUT 01000 = Reserved
RPC2 ⁽¹⁾	RPC2R	RPC2R<4:0>	01001 = Reserved * * *
RPD8 ⁽¹⁾	RPD8R	RPD8R<4:0>	11110 = Reserved
RPC10	RPC10R	RPC10R<4:0>	11111 = Reserved

- Note 1:** 48-pin devices only.
Note 2: 48-pin and 32-pin devices only.
Note 3: Allows SDO to be mapped to the same pin as SDI.
Note 4: Acts as output when the SPI module is Host mode.
Note 5: SPI Frame Sync Output in Frame Host mode

11.4 I/O Ports Control Registers

TABLE 11-3: PORTA REGISTER MAP

Virtual Address (BF86_#)	Register Name ⁽¹⁾	Bit Range	Bits																All Resets
			31/15	30/14	29/13	28/12	27/11	26/10	25/9	24/8	23/7	22/6	21/5	20/4	19/3	18/2	17/1	16/0	
0000	ANSELA	31:16	—	—	—	—	—	—	—	—	—	—	—	—	—	—	—	—	0000
		15:0	—	—	—	ANSA12	ANSA11	—	—	ANSA8	—	—	—	ANSA4	—	—	ANSA1	ANSA0	1913
0010	TRISA	31:16	—	—	—	—	—	—	—	—	—	—	—	—	—	—	—	—	0000
		15:0	—	—	—	TRISA12 ⁽¹⁾	TRISA11 ⁽¹⁾	TRISA10 ⁽²⁾	—	TRISA8 ⁽²⁾	TRISA7 ⁽²⁾	—	—	TRISA4	—	—	TRISA1	TRISA0	1D93
0020	PORTA	31:16	—	—	—	—	—	—	—	—	—	—	—	—	—	—	—	—	0000
		15:0	—	—	—	RA12 ⁽¹⁾	RA11 ⁽¹⁾	RA10 ⁽²⁾	—	RA8 ⁽²⁾	RA7 ⁽²⁾	—	—	RA4	—	—	RA1	RA0	xxxx
0030	LATA	31:16	—	—	—	—	—	—	—	—	—	—	—	—	—	—	—	—	0000
		15:0	—	—	—	LATA12 ⁽¹⁾	LATA11 ⁽¹⁾	LATA10 ⁽²⁾	—	LATA8 ⁽²⁾	LATA7 ⁽²⁾	—	—	LATA4	—	—	LATA1	LATA0	xxxx
0040	ODCA	31:16	—	—	—	—	—	—	—	—	—	—	—	—	—	—	—	—	0000
		15:0	—	—	—	ODCA12 ⁽¹⁾	ODCA11 ⁽¹⁾	ODCA10 ⁽²⁾	—	ODCA8 ⁽²⁾	ODCA7 ⁽²⁾	—	—	ODCA4	—	—	ODCA1	ODCA0	0000
0050	CNPUA	31:16	—	—	—	—	—	—	—	—	—	—	—	—	—	—	—	—	0000
		15:0	—	—	—	CNPUA12 ⁽¹⁾	CNPUA11 ⁽¹⁾	CNPUA10 ⁽²⁾	—	CNPUA8 ⁽²⁾	CNPUA7 ⁽²⁾	—	—	CNPUA4	—	—	CNPUA1	CNPUA0	0000
0060	CNPDA	31:16	—	—	—	—	—	—	—	—	—	—	—	—	—	—	—	—	0000
		15:0	—	—	—	CNPDA12 ⁽¹⁾	CNPDA11 ⁽¹⁾	CNPDA10 ⁽²⁾	—	CNPDA8 ⁽²⁾	CNPDA7 ⁽²⁾	—	—	CNPDA4	—	—	CNPDA1	CNPDA0	0000
0070	CNCONA	31:16	—	—	—	—	—	—	—	—	—	—	—	—	—	—	—	—	0000
		15:0	ON	—	SIDL	—	EDGE DETECT	—	—	—	—	—	—	—	—	—	—	—	0000
0080	CNENA	31:16	—	—	—	—	—	—	—	—	—	—	—	—	—	—	—	—	0000
		15:0	—	—	—	CNENA12 ⁽¹⁾	CNENA11 ⁽¹⁾	CNENA10 ⁽²⁾	—	CNENA8 ⁽²⁾	CNENA7 ⁽²⁾	—	—	CNENA4	—	—	CNENA1	CNENA0	0000
0090	CNSTATA	31:16	—	—	—	—	—	—	—	—	—	—	—	—	—	—	—	—	0000
		15:0	—	—	—	CNSTATA12 ⁽¹⁾	CNSTATA11 ⁽¹⁾	CNSTATA10 ⁽²⁾	—	CNSTATA8 ⁽²⁾	CNSTATA7 ⁽²⁾	—	—	CNSTATA4	—	—	CNSTATA1	CNSTATA0	0000
00A0	CNNEA	31:16	—	—	—	—	—	—	—	—	—	—	—	—	—	—	—	—	0000
		15:0	—	—	—	CNNEA12 ⁽¹⁾	CNNEA11 ⁽¹⁾	CNNEA10 ⁽²⁾	—	CNNEA8 ⁽²⁾	CNNEA7 ⁽²⁾	—	—	CNNEA4	—	—	CNNEA1	CNNEA0	0000
00B0	CNFA	31:16	—	—	—	—	—	—	—	—	—	—	—	—	—	—	—	—	0000
		15:0	—	—	—	CNFA12 ⁽¹⁾	CNFA11 ⁽¹⁾	CNFA10 ⁽²⁾	—	CNFA8 ⁽²⁾	CNFA7 ⁽²⁾	—	—	CNFA4	—	—	CNFA1	CNFA0	0000

Legend: x = Unknown value on Reset; — = Unimplemented, read as '0'; Reset values are shown in hexadecimal.

Note 1: Does not exist on 32 and 28 pin variants.

Note 2: Does not exist on 28 pin variant.

Virtual Address (BF86_#)	Register Name ⁽¹⁾	Bit Range	Bits															All Resets	
			31/15	30/14	29/13	28/12	27/11	26/10	25/9	24/8	23/7	22/6	21/5	20/4	19/3	18/2	17/1		16/0
00C0	SRCON0A	31:16	—	—	—	—	—	—	—	—	—	—	—	—	—	—	—	—	0000
		15:0	—	—	—	—	—	SR0A10 ⁽²⁾	—	SR0A8 ⁽²⁾	SR0A7 ⁽²⁾	—	—	—	—	—	—	SR0A1	—
00D0	SRCON1A	31:16	—	—	—	—	—	—	—	—	—	—	—	—	—	—	—	—	0000
		15:0	—	—	—	—	—	SR1A10 ⁽²⁾	—	SR1A8 ⁽²⁾	SR1A7 ⁽²⁾	—	—	—	—	—	—	SR1A1	—

Legend: x = Unknown value on Reset; — = Unimplemented, read as '0'; Reset values are shown in hexadecimal.

Note 1: Does not exist on 32 and 28 pin variants.

Note 2: Does not exist on 28 pin variant.

TABLE 11-4: PORTB REGISTER MAP

Virtual Address (BF86_#)	Register Name ⁽¹⁾	Bit Range	Bits																All Resets
			31/15	30/14	29/13	28/12	27/11	26/10	25/9	24/8	23/7	22/6	21/5	20/4	19/3	18/2	17/1	16/0	
0100	ANSELB	31:16	—	—	—	—	—	—	—	—	—	—	—	—	—	—	—	—	0000
		15:0	—	—	—	—	—	—	—	ANSB9	—	ANSB7	—	—	—	—	ANSB3	ANSB2	ANSB1
0110	TRISB	31:16	—	—	—	—	—	—	—	—	—	—	—	—	—	—	—	—	0000
		15:0	TRISB15	TRISB14	TRISB13	TRISB12	TRISB11	TRISB10	TRISB9	—	TRISB7	TRISB6	TRISB5	TRISB4	TRISB3	TRISB2	TRISB1	TRISB0	FFFF
0120	PORTB	31:16	—	—	—	—	—	—	—	—	—	—	—	—	—	—	—	—	0000
		15:0	RB15	RB14	RB13	RB12	RB11	RB10	RB9	RB8 ⁽¹⁾	RB7	RB6	RB5	RB4	RB3	RB2	RB1	RB0	xxxx
0130	LATB	31:16	—	—	—	—	—	—	—	—	—	—	—	—	—	—	—	—	0000
		15:0	LATB15	LATB14	LATB13	LATB12	LATB11	LATB10	LATB9	—	LATB7	LATB6	LATB5	LATB4	LATB3	LATB2	LATB1	LATB0	xxxx
0140	ODCB	31:16	—	—	—	—	—	—	—	—	—	—	—	—	—	—	—	—	0000
		15:0	ODCB15	ODCB14	ODCB13	ODCB12	ODCB11	ODCB10	ODCB9	—	ODCB7	ODCB6	ODCB5	ODCB4	ODCB3	ODCB2	ODCB1	ODCB0	0000
0150	CNPUB	31:16	—	—	—	—	—	—	—	—	—	—	—	—	—	—	—	—	0000
		15:0	CNPUB15	CNPUB14	CNPUB13	CNPUB12	CNPUB11	CNPUB10	CNPUB9	—	CNPUB7	CNPUB6	CNPUB5	CNPUB4	CNPUB3	CNPUB2	CNPUB1	CNPUB0	0000
0160	CNPDB	31:16	—	—	—	—	—	—	—	—	—	—	—	—	—	—	—	—	0000
		15:0	CNPDB15	CNPDB14	CNPDB13	CNPDB12	CNPDB11	CNPDB10	CNPDB9	—	CNPDB7	CNPDB6	CNPDB5	CNPDB4	CNPDB3	CNPDB2	CNPDB1	CNPDB0	0000
0170	CNCONB	31:16	—	—	—	—	—	—	—	—	—	—	—	—	—	—	—	—	0000
		15:0	ON	—	SIDL	—	EDGE DETECT	—	—	—	—	—	—	—	—	—	—	—	0000
0180	CNENB	31:16	—	—	—	—	—	—	—	—	—	—	—	—	—	—	—	—	0000
		15:0	CNENB15	CNENB14	CNENB13	CNENB12	CNENB11	CNENB10	CNENB9	—	CNENB7	CNENB6	CNENB5	CNENB4	CNENB3	CNENB2	CNENB1	CNENB0	0000
0190	CNSTATB	31:16	—	—	—	—	—	—	—	—	—	—	—	—	—	—	—	—	0000
		15:0	CNSTATB 15	CNSTATB 14	CNSTATB 13	CNSTATB 12	CNSTATB 11	CNSTATB 10	CNSTATB 9	—	CNSTATB 7	CNSTATB 6	CNSTATB 5	CNSTATB 4	CNSTATB 3	CNSTATB 2	CNSTATB 1	CNSTATB 0	0000
01A0	CNNEB	31:16	—	—	—	—	—	—	—	—	—	—	—	—	—	—	—	—	0000
		15:0	CNNEB15	CNNEB14	CNNEB13	CNNEB12	CNNEB11	CNNEB10	CNNEB9	—	CNNEB7	CNNEB6	CNNEB5	CNNEB4	CNNEB3	CNNEB2	CNNEB1	CNNEB0	0000
01B0	CNFB	31:16	—	—	—	—	—	—	—	—	—	—	—	—	—	—	—	—	0000
		15:0	CNFB15	CNFB14	CNFB13	CNFB12	CNFB11	CNFB10	CNFB9	—	CNFB7	CNFB6	CNFB5	CNFB4	CNFB3	CNFB2	CNFB1	CNFB0	0000
01C0	SRCON0B	31:16	—	—	—	—	—	—	—	—	—	—	—	—	—	—	—	—	0000
		15:0	SR0B15	SR0B14	SR0B13	SR0B12	SR0B11	SR0B10	—	—	SR0B7	SR0B6	SR0B5	SR0B4	—	—	—	—	0000
01D0	SRCON1B	31:16	—	—	—	—	—	—	—	—	—	—	—	—	—	—	—	—	0000
		15:0	SR1B15	SR1B14	SR1B13	SR1B12	SR1B11	SR1B10	—	—	SR1B7	SR1B6	SR1B5	SR1B4	—	—	—	—	0000

Legend: x = Unknown value on Reset; — = Unimplemented, read as '0'; Reset values are shown in hexadecimal.

Note 1: Does not exist on 32 and 28 pin variants.

Note 2: Does not exist on 28 pin variant.

TABLE 11-5: PORTC REGISTER MAP

Virtual Address (BF86_#)	Register Name ⁽¹⁾	Bit Range	Bits															All Resets	
			31/15	30/14	29/13	28/12	27/11	26/10	25/9	24/8	23/7	22/6	21/5	20/4	19/3	18/2	17/1		16/0
0200	ANSEL	31:16	—	—	—	—	—	—	—	—	—	—	—	—	—	—	—	0000	
		15:0	—	—	—	ANSC12	ANSC11	ANSC10	—	—	—	—	—	—	—	—	ANSC2	ANSC1	ANSC0
0210	TRISC	31:16	—	—	—	—	—	—	—	—	—	—	—	—	—	—	—	—	0000
		15:0	TRISC15	—	—	TRISC12	TRISC11	TRISC10 ⁽¹⁾	TRISC9 ⁽¹⁾	TRISC8 ⁽¹⁾	TRISC7 ⁽¹⁾	TRISC6 ⁽¹⁾	—	—	—	—	TRISC2 ⁽¹⁾	TRISC1 ⁽¹⁾	TRISC0 ⁽¹⁾
0220	PORTC	31:16	—	—	—	—	—	—	—	—	—	—	—	—	—	—	—	—	0000
		15:0	RC15	—	RC13 ⁽²⁾	RC12	RC11 ⁽²⁾	RC10 ⁽¹⁾	RC9 ⁽¹⁾	RC8 ⁽¹⁾	RC7 ⁽¹⁾	RC6 ⁽¹⁾	—	—	—	—	RC2 ⁽¹⁾	RC1 ⁽¹⁾	RC0 ⁽¹⁾
0230	LATC	31:16	—	—	—	—	—	—	—	—	—	—	—	—	—	—	—	—	0000
		15:0	LATC15	—	—	LATC12	LATC11 ⁽²⁾	LATC10 ⁽¹⁾	LATC9 ⁽¹⁾	LATC8 ⁽¹⁾	LATC7 ⁽¹⁾	LATC6 ⁽¹⁾	—	—	—	—	LATC2 ⁽¹⁾	LATC1 ⁽¹⁾	LATC0 ⁽¹⁾
0240	ODCC	31:16	—	—	—	—	—	—	—	—	—	—	—	—	—	—	—	—	0000
		15:0	ODCC15	—	—	ODCC12	ODCC11 ⁽²⁾	ODCC10 ⁽¹⁾	ODCC9 ⁽¹⁾	ODCC8 ⁽¹⁾	ODCC7 ⁽¹⁾	ODCC6 ⁽¹⁾	—	—	—	—	ODCC2 ⁽¹⁾	ODCC1 ⁽¹⁾	ODCC0 ⁽¹⁾
0250	CNPUC	31:16	—	—	—	—	—	—	—	—	—	—	—	—	—	—	—	—	0000
		15:0	CNPUC15	—	—	CNPUC12	CNPUC11 ⁽²⁾	CNPUC10 ⁽¹⁾	CNPUC9 ⁽¹⁾	CNPUC8 ⁽¹⁾	CNPUC7 ⁽¹⁾	CNPUC6 ⁽¹⁾	—	—	—	—	CNPUC2 ⁽¹⁾	CNPUC1 ⁽¹⁾	CNPUC0 ⁽¹⁾
0260	CNPDC	31:16	—	—	—	—	—	—	—	—	—	—	—	—	—	—	—	—	0000
		15:0	CNPDC15	—	—	CNPDC12	CNPDC11 ⁽²⁾	CNPDC10 ⁽¹⁾	CNPDC9 ⁽¹⁾	CNPDC8 ⁽¹⁾	CNPDC7 ⁽¹⁾	CNPDC6 ⁽¹⁾	—	—	—	—	CNPDC2 ⁽¹⁾	CNPDC1 ⁽¹⁾	CNPDC0 ⁽¹⁾
0270	CNCONC	31:16	—	—	—	—	—	—	—	—	—	—	—	—	—	—	—	—	0000
		15:0	ON	—	SIDL	—	EDGE DETECT	—	—	—	—	—	—	—	—	—	—	—	—
0280	CNENC	31:16	—	—	—	—	—	—	—	—	—	—	—	—	—	—	—	—	0000
		15:0	CNENC15	—	—	CNENC12	CNENC11 ⁽²⁾	CNENC10 ⁽¹⁾	CNENC9 ⁽¹⁾	CNENC8 ⁽¹⁾	CNENC7 ⁽¹⁾	CNENC6 ⁽¹⁾	—	—	—	—	CNENC2 ⁽¹⁾	CNENC1 ⁽¹⁾	CNENC0 ⁽¹⁾
0290	CNSTATC	31:16	—	—	—	—	—	—	—	—	—	—	—	—	—	—	—	—	0000
		15:0	CNSTATC15	—	—	CNSTATC12	CNSTATC11 ⁽²⁾	CNSTATC10 ⁽¹⁾	CNSTATC9 ⁽¹⁾	CNSTATC8 ⁽¹⁾	CNSTATC7 ⁽¹⁾	CNSTATC6 ⁽¹⁾	—	—	—	—	CNSTATC2 ⁽¹⁾	CNSTATC1 ⁽¹⁾	CNSTATC0 ⁽¹⁾
02A0	CNNEC	31:16	—	—	—	—	—	—	—	—	—	—	—	—	—	—	—	—	0000
		15:0	CNNEC15	—	—	CNNEC12	CNNEC11 ⁽²⁾	CNNEC10 ⁽¹⁾	CNNEC9 ⁽¹⁾	CNNEC8 ⁽¹⁾	CNNEC7 ⁽¹⁾	CNNEC6 ⁽¹⁾	—	—	—	—	CNNEC2 ⁽¹⁾	CNNEC1 ⁽¹⁾	CNNEC0 ⁽¹⁾
02B0	CNFC	31:16	—	—	—	—	—	—	—	—	—	—	—	—	—	—	—	—	0000
		15:0	CNFC15	—	—	CNFC12	CNFC11 ⁽²⁾	CNFC10 ⁽¹⁾	CNFC9 ⁽¹⁾	CNFC8 ⁽¹⁾	CNFC7 ⁽¹⁾	CNFC6 ⁽¹⁾	—	—	—	—	CNFC2 ⁽¹⁾	CNFC1 ⁽¹⁾	CNFC0 ⁽¹⁾
02C0	SRCON0 C	31:16	—	—	—	—	—	—	—	—	—	—	—	—	—	—	—	—	0000
		15:0	SR0C15	—	—	—	SR0C11 ⁽²⁾	—	SR0C9 ⁽¹⁾	SR0C8 ⁽¹⁾	SR0C7 ⁽¹⁾	SR0C6 ⁽¹⁾	—	—	—	—	—	—	—
02D0	SRCON1 C	31:16	—	—	—	—	—	—	—	—	—	—	—	—	—	—	—	—	0000
		15:0	SR1C15	—	—	—	SR1C11 ⁽²⁾	—	SR1C9 ⁽¹⁾	SR1C8 ⁽¹⁾	SR1C7 ⁽¹⁾	SR1C6 ⁽¹⁾	—	—	—	—	—	—	—

Legend: x = Unknown value on Reset; — = Unimplemented, read as '0'; Reset values are shown in hexadecimal.

Note 1: Does not exist on 32 and 28 pin variants.

Note 2: Does not exist on 28 pin variant.

TABLE 11-6: PORTD REGISTER MAP

Virtual Address (BF86_#)	Register Name ⁽¹⁾	Bit Range	Bits															All Resets	
			31/15	30/14	29/13	28/12	27/11	26/10	25/9	24/8	23/7	22/6	21/5	20/4	19/3	18/2	17/1		16/0
0300	ANSELD	31:16	—	—	—	—	—	—	—	—	—	—	—	—	—	—	—	—	0000
		15:0	—	—	—	—	—	—	—	—	—	—	—	—	—	—	—	—	0000
0310	TRISD	31:16	—	—	—	—	—	—	—	—	—	—	—	—	—	—	—	—	0000
		15:0	—	—	—	—	—	—	—	TRISD8 ⁽¹⁾	—	—	—	—	—	—	—	—	0160
0320	PORTD	31:16	—	—	—	—	—	—	—	—	—	—	—	—	—	—	—	—	0000
		15:0	—	—	—	—	—	—	—	RD8 ⁽¹⁾	—	—	—	—	—	—	—	—	xxxx
0330	LATD	31:16	—	—	—	—	—	—	—	—	—	—	—	—	—	—	—	—	0000
		15:0	—	—	—	—	—	—	—	LATD8 ⁽¹⁾	—	—	—	—	—	—	—	—	xxxx
0340	ODCD	31:16	—	—	—	—	—	—	—	—	—	—	—	—	—	—	—	—	0000
		15:0	—	—	—	—	—	—	—	ODCD8 ⁽¹⁾	—	—	—	—	—	—	—	—	0000
0350	CNPUD	31:16	—	—	—	—	—	—	—	—	—	—	—	—	—	—	—	—	0000
		15:0	—	—	—	—	—	—	—	CNPUD8 ⁽¹⁾	—	—	—	—	—	—	—	—	0000
0360	CNPDD	31:16	—	—	—	—	—	—	—	—	—	—	—	—	—	—	—	—	0000
		15:0	—	—	—	—	—	—	—	CNPDD8 ⁽¹⁾	—	—	—	—	—	—	—	—	0000
0370	CNCOND	31:16	—	—	—	—	—	—	—	—	—	—	—	—	—	—	—	—	0000
		15:0	ON	—	SIDL	—	EDGE DETECT	—	—	—	—	—	—	—	—	—	—	—	0000
0380	CNEND	31:16	—	—	—	—	—	—	—	—	—	—	—	—	—	—	—	—	0000
		15:0	—	—	—	—	—	—	—	CNEND8 ⁽¹⁾	—	—	—	—	—	—	—	—	0000
0390	CNSTATD	31:16	—	—	—	—	—	—	—	—	—	—	—	—	—	—	—	—	0000
		15:0	—	—	—	—	—	—	—	CNSTAT D8 ⁽¹⁾	—	—	—	—	—	—	—	—	0000
03A0	CNNED	31:16	—	—	—	—	—	—	—	—	—	—	—	—	—	—	—	—	0000
		15:0	—	—	—	—	—	—	—	CNNED8 ⁽¹⁾	—	—	—	—	—	—	—	—	0000
03B0	CNFD	31:16	—	—	—	—	—	—	—	—	—	—	—	—	—	—	—	—	0000
		15:0	—	—	—	—	—	—	—	CNFD8 ⁽¹⁾	—	—	—	—	—	—	—	—	0000
03C0	SRCON0D	31:16	—	—	—	—	—	—	—	—	—	—	—	—	—	—	—	—	0000
		15:0	—	—	—	—	—	—	—	SR0D8 ⁽¹⁾	—	—	—	—	—	—	—	—	0000
03D0	SRCON1D	31:16	—	—	—	—	—	—	—	—	—	—	—	—	—	—	—	—	0000
		15:0	—	—	—	—	—	—	—	SR1D8 ⁽¹⁾	—	—	—	—	—	—	—	—	0000

Legend: x = Unknown value on Reset; — = Unimplemented, read as '0'; Reset values are shown in hexadecimal.

Note 1: Does not exist on 32 and 28 pin variants.

Note 2: Does not exist on 28 pin variant.

TABLE 11-7: PERIPHERAL PIN SELECT INPUT REGISTER MAP

Virtual Address (BF80_#)	Register Name	Bit Range	Bits															All Resets
			31/15	30/14	29/13	28/12	27/11	26/10	25/9	24/8	23/7	22/6	21/5	20/4	19/3	18/2	17/1	
1404	INT1R	31:16	—	—	—	—	—	—	—	—	—	—	—	—	—	—	—	0000
		15:0	—	—	—	—	—	—	—	—	—	—	—	—	INT1R<3:0>			0000
1408	INT2R	31:16	—	—	—	—	—	—	—	—	—	—	—	—	—	—	—	0000
		15:0	—	—	—	—	—	—	—	—	—	—	—	—	INT2R<3:0>			0000
140C	INT3R	31:16	—	—	—	—	—	—	—	—	—	—	—	—	—	—	—	0000
		15:0	—	—	—	—	—	—	—	—	—	—	—	—	INT3R<3:0>			0000
1410	INT4R	31:16	—	—	—	—	—	—	—	—	—	—	—	—	—	—	—	0000
		15:0	—	—	—	—	—	—	—	—	—	—	—	—	INT4R<3:0>			0000
1418	T2CKR	31:16	—	—	—	—	—	—	—	—	—	—	—	—	—	—	—	0000
		15:0	—	—	—	—	—	—	—	—	—	—	—	—	T2CKR<3:0>			0000
141C	T3CKR	31:16	—	—	—	—	—	—	—	—	—	—	—	—	—	—	—	0000
		15:0	—	—	—	—	—	—	—	—	—	—	—	—	T3CKR<3:0>			0000
1420	T4CKR	31:16	—	—	—	—	—	—	—	—	—	—	—	—	—	—	—	0000
		15:0	—	—	—	—	—	—	—	—	—	—	—	—	T4CKR<3:0>			0000
1424	T5CKR	31:16	—	—	—	—	—	—	—	—	—	—	—	—	—	—	—	0000
		15:0	—	—	—	—	—	—	—	—	—	—	—	—	T5CKR<3:0>			0000
1438	IC1R	31:16	—	—	—	—	—	—	—	—	—	—	—	—	—	—	—	0000
		15:0	—	—	—	—	—	—	—	—	—	—	—	—	IC1R<3:0>			0000
143C	IC2R	31:16	—	—	—	—	—	—	—	—	—	—	—	—	—	—	—	0000
		15:0	—	—	—	—	—	—	—	—	—	—	—	—	IC2R<3:0>			0000
1440	IC3R	31:16	—	—	—	—	—	—	—	—	—	—	—	—	—	—	—	0000
		15:0	—	—	—	—	—	—	—	—	—	—	—	—	IC3R<3:0>			0000
1444	IC4R	31:16	—	—	—	—	—	—	—	—	—	—	—	—	—	—	—	0000
		15:0	—	—	—	—	—	—	—	—	—	—	—	—	IC4R<3:0>			0000
145C	OCFAR	31:16	—	—	—	—	—	—	—	—	—	—	—	—	—	—	—	0000
		15:0	—	—	—	—	—	—	—	—	—	—	—	—	OCFAR<3:0>			0000
1460	OCFBR	31:16	—	—	—	—	—	—	—	—	—	—	—	—	—	—	—	0000
		15:0	—	—	—	—	—	—	—	—	—	—	—	—	OCFBR<3:0>			0000
1464	U1RXR	31:16	—	—	—	—	—	—	—	—	—	—	—	—	—	—	—	0000
		15:0	—	—	—	—	—	—	—	—	—	—	—	—	U1RXR<3:0>			0000
1468	U1CTSR	31:16	—	—	—	—	—	—	—	—	—	—	—	—	—	—	—	0000
		15:0	—	—	—	—	—	—	—	—	—	—	—	—	U1CTSR<3:0>			0000

Legend: x = unknown value on Reset; — = unimplemented, read as '0'. Reset values are shown in hexadecimal.

TABLE 11-7: PERIPHERAL PIN SELECT INPUT REGISTER MAP (CONTINUED)

Virtual Address (BF80_#)	Register Name	Bit Range	Bits															All Resets	
			31/15	30/14	29/13	28/12	27/11	26/10	25/9	24/8	23/7	22/6	21/5	20/4	19/3	18/2	17/1		16/0
146C	U2RXR	31:16	—	—	—	—	—	—	—	—	—	—	—	—	—	—	—	—	0000
		15:0	—	—	—	—	—	—	—	—	—	—	—	—	—	U2RXR<3:0>			0000
1470	U2CTSR	31:16	—	—	—	—	—	—	—	—	—	—	—	—	—	—	—	—	0000
		15:0	—	—	—	—	—	—	—	—	—	—	—	—	—	U2CTSR<3:0>			0000
1498	SDI1R	31:16	—	—	—	—	—	—	—	—	—	—	—	—	—	—	—	—	0000
		15:0	—	—	—	—	—	—	—	—	—	—	—	—	—	SDI1R<3:0>			0000
149C	SS1R	31:16	—	—	—	—	—	—	—	—	—	—	—	—	—	—	—	—	0000
		15:0	—	—	—	—	—	—	—	—	—	—	—	—	—	SS1R<3:0>			0000
14A0	SCK2R	31:16	—	—	—	—	—	—	—	—	—	—	—	—	—	—	—	—	0000
		15:0	—	—	—	—	—	—	—	—	—	—	—	—	—	SCK2R<3:0>			0000
14A4	SDI2R	31:16	—	—	—	—	—	—	—	—	—	—	—	—	—	—	—	—	0000
		15:0	—	—	—	—	—	—	—	—	—	—	—	—	—	SDI2R<3:0>			0000
14A8	SS2R	31:16	—	—	—	—	—	—	—	—	—	—	—	—	—	—	—	—	0000
		15:0	—	—	—	—	—	—	—	—	—	—	—	—	—	SS2R<3:0>			0000
14CC	REFIR	31:16	—	—	—	—	—	—	—	—	—	—	—	—	—	—	—	—	0000
		15:0	—	—	—	—	—	—	—	—	—	—	—	—	—	REFIR<3:0>			0000
14D0	QEA1R	31:16	—	—	—	—	—	—	—	—	—	—	—	—	—	—	—	—	0000
		15:0	—	—	—	—	—	—	—	—	—	—	—	—	—	QEA1R<3:0>			0000
14D4	QEB1R	31:16	—	—	—	—	—	—	—	—	—	—	—	—	—	—	—	—	0000
		15:0	—	—	—	—	—	—	—	—	—	—	—	—	—	QEB1R<3:0>			0000
14D8	INDX1R	31:16	—	—	—	—	—	—	—	—	—	—	—	—	—	—	—	—	0000
		15:0	—	—	—	—	—	—	—	—	—	—	—	—	—	INDX1R<3:0>			0000
14DC	HOME1R	31:16	—	—	—	—	—	—	—	—	—	—	—	—	—	—	—	—	0000
		15:0	—	—	—	—	—	—	—	—	—	—	—	—	—	HOME1R<3:0>			0000
14E0	QEA2R	31:16	—	—	—	—	—	—	—	—	—	—	—	—	—	—	—	—	0000
		15:0	—	—	—	—	—	—	—	—	—	—	—	—	—	QEA2R<3:0>			0000
14E4	QEB2R	31:16	—	—	—	—	—	—	—	—	—	—	—	—	—	—	—	—	0000
		15:0	—	—	—	—	—	—	—	—	—	—	—	—	—	QEB2R<3:0>			0000
14E8	INDX2R	31:16	—	—	—	—	—	—	—	—	—	—	—	—	—	—	—	—	0000
		15:0	—	—	—	—	—	—	—	—	—	—	—	—	—	INDX2R<3:0>			0000
14EC	HOME2R	31:16	—	—	—	—	—	—	—	—	—	—	—	—	—	—	—	—	0000
		15:0	—	—	—	—	—	—	—	—	—	—	—	—	—	HOME2R<3:0>			0000

Legend: x = unknown value on Reset; — = unimplemented, read as '0'. Reset values are shown in hexadecimal.

TABLE 11-7: PERIPHERAL PIN SELECT INPUT REGISTER MAP (CONTINUED)

Virtual Address (BF80_#)	Register Name	Bit Range	Bits															All Resets
			31/15	30/14	29/13	28/12	27/11	26/10	25/9	24/8	23/7	22/6	21/5	20/4	19/3	18/2	17/1	
14F0	FLT1R	31:16	—	—	—	—	—	—	—	—	—	—	—	—	—	—	—	0000
		15:0	—	—	—	—	—	—	—	—	—	—	—	—	FLT1R<3:0>			0000
14F4	FLT2R	31:16	—	—	—	—	—	—	—	—	—	—	—	—	—	—	—	0000
		15:0	—	—	—	—	—	—	—	—	—	—	—	—	FLT2R<3:0>			0000
1574	CLCINA	31:16	—	—	—	—	—	—	—	—	—	—	—	—	—	—	—	0000
		15:0	—	—	—	—	—	—	—	—	—	—	—	—	CLCIN1R<3:0>			0000
1578	CLCINB	31:16	—	—	—	—	—	—	—	—	—	—	—	—	—	—	—	0000
		15:0	—	—	—	—	—	—	—	—	—	—	—	—	CLCIN2R<3:0>			0000
157C	CLCINC	31:16	—	—	—	—	—	—	—	—	—	—	—	—	—	—	—	0000
		15:0	—	—	—	—	—	—	—	—	—	—	—	—	CLCIN3R<3:0>			0000
1580	CLCIND	31:16	—	—	—	—	—	—	—	—	—	—	—	—	—	—	—	0000
		15:0	—	—	—	—	—	—	—	—	—	—	—	—	CLCIN4R<3:0>			0000

Legend: x = unknown value on Reset; — = unimplemented, read as '0'. Reset values are shown in hexadecimal.

TABLE 11-8: PERIPHERAL PIN SELECT OUTPUT REGISTER MAP

Virtual Address (BF80_#)	Register Name	Bit Range	Bits															All Resets	
			31/15	30/14	29/13	28/12	27/11	26/10	25/9	24/8	23/7	22/6	21/5	20/4	19/3	18/2	17/1		16/0
1600	RPA0R	31:16	—	—	—	—	—	—	—	—	—	—	—	—	—	—	—	—	0000
		15:0	—	—	—	—	—	—	—	—	—	—	—	—	—	—	—	—	RPA0R<4:0>
1604	RPA1R	31:16	—	—	—	—	—	—	—	—	—	—	—	—	—	—	—	—	0000
		15:0	—	—	—	—	—	—	—	—	—	—	—	—	—	—	—	—	RPA1R<4:0>
1608	RPA2R	31:16	—	—	—	—	—	—	—	—	—	—	—	—	—	—	—	—	0000
		15:0	—	—	—	—	—	—	—	—	—	—	—	—	—	—	—	—	RPA2R<4:0>
160C	RPA3R	31:16	—	—	—	—	—	—	—	—	—	—	—	—	—	—	—	—	0000
		15:0	—	—	—	—	—	—	—	—	—	—	—	—	—	—	—	—	RPA3R<4:0>
1610	RPA4R	31:16	—	—	—	—	—	—	—	—	—	—	—	—	—	—	—	—	0000
		15:0	—	—	—	—	—	—	—	—	—	—	—	—	—	—	—	—	RPA4R<4:0>
161C	RPA7R ⁽²⁾	31:16	—	—	—	—	—	—	—	—	—	—	—	—	—	—	—	—	0000
		15:0	—	—	—	—	—	—	—	—	—	—	—	—	—	—	—	—	RPA7R<4:0>
1620	RPA8R ⁽²⁾	31:16	—	—	—	—	—	—	—	—	—	—	—	—	—	—	—	—	0000
		15:0	—	—	—	—	—	—	—	—	—	—	—	—	—	—	—	—	RPA8R<4:0>
162C	RPA11R ⁽¹⁾	31:16	—	—	—	—	—	—	—	—	—	—	—	—	—	—	—	—	0000
		15:0	—	—	—	—	—	—	—	—	—	—	—	—	—	—	—	—	RPA11R<4:0>
1630	RPA12R ⁽¹⁾	31:16	—	—	—	—	—	—	—	—	—	—	—	—	—	—	—	—	0000
		15:0	—	—	—	—	—	—	—	—	—	—	—	—	—	—	—	—	RPA12R<4:0>
1640	RPB0R	31:16	—	—	—	—	—	—	—	—	—	—	—	—	—	—	—	—	0000
		15:0	—	—	—	—	—	—	—	—	—	—	—	—	—	—	—	—	RPB0R<4:0>
1644	RPB1R	31:16	—	—	—	—	—	—	—	—	—	—	—	—	—	—	—	—	0000
		15:0	—	—	—	—	—	—	—	—	—	—	—	—	—	—	—	—	RPB1R<4:0>
1648	RPB2R	31:16	—	—	—	—	—	—	—	—	—	—	—	—	—	—	—	—	0000
		15:0	—	—	—	—	—	—	—	—	—	—	—	—	—	—	—	—	RPB2R<4:0>
164C	RPB3R	31:16	—	—	—	—	—	—	—	—	—	—	—	—	—	—	—	—	0000
		15:0	—	—	—	—	—	—	—	—	—	—	—	—	—	—	—	—	RPB3R<4:0>
1650	RPB4R	31:16	—	—	—	—	—	—	—	—	—	—	—	—	—	—	—	—	0000
		15:0	—	—	—	—	—	—	—	—	—	—	—	—	—	—	—	—	RPB4R<4:0>
1654	RPB5R	31:16	—	—	—	—	—	—	—	—	—	—	—	—	—	—	—	—	0000
		15:0	—	—	—	—	—	—	—	—	—	—	—	—	—	—	—	—	RPB5R<4:0>
1658	RPB6R	31:16	—	—	—	—	—	—	—	—	—	—	—	—	—	—	—	—	0000
		15:0	—	—	—	—	—	—	—	—	—	—	—	—	—	—	—	—	RPB6R<4:0>
165C	RPB7R	31:16	—	—	—	—	—	—	—	—	—	—	—	—	—	—	—	—	0000
		15:0	—	—	—	—	—	—	—	—	—	—	—	—	—	—	—	—	RPB7R<4:0>

Legend: x = unknown value on Reset; — = unimplemented, read as '0'. Reset values are shown in hexadecimal.

- Note 1:** Does not exist on 32 and 28 pin variants.
Note 2: Does not exist on 28 pin variant.

TABLE 11-8: PERIPHERAL PIN SELECT OUTPUT REGISTER MAP (CONTINUED)

Virtual Address (BF80_#)	Register Name	Bit Range	Bits															All Resets	
			31/15	30/14	29/13	28/12	27/11	26/10	25/9	24/8	23/7	22/6	21/5	20/4	19/3	18/2	17/1		16/0
1664	RPB9R	31:16	—	—	—	—	—	—	—	—	—	—	—	—	—	—	—	—	0000
		15:0	—	—	—	—	—	—	—	—	—	—	—	—	—	—	—	—	RPB9R<4:0>
1668	RPB10R	31:16	—	—	—	—	—	—	—	—	—	—	—	—	—	—	—	—	0000
		15:0	—	—	—	—	—	—	—	—	—	—	—	—	—	—	—	—	RPB10R<4:0>
166C	RPB11R	31:16	—	—	—	—	—	—	—	—	—	—	—	—	—	—	—	—	0000
		15:0	—	—	—	—	—	—	—	—	—	—	—	—	—	—	—	—	RPB11R<4:0>
1670	RPB12R	31:16	—	—	—	—	—	—	—	—	—	—	—	—	—	—	—	—	0000
		15:0	—	—	—	—	—	—	—	—	—	—	—	—	—	—	—	—	RPB12R<4:0>
1674	RPB13R	31:16	—	—	—	—	—	—	—	—	—	—	—	—	—	—	—	—	0000
		15:0	—	—	—	—	—	—	—	—	—	—	—	—	—	—	—	—	RPB13R<4:0>
1678	RPB14R	31:16	—	—	—	—	—	—	—	—	—	—	—	—	—	—	—	—	0000
		15:0	—	—	—	—	—	—	—	—	—	—	—	—	—	—	—	—	RPB14R<4:0>
167C	RPB15R	31:16	—	—	—	—	—	—	—	—	—	—	—	—	—	—	—	—	0000
		15:0	—	—	—	—	—	—	—	—	—	—	—	—	—	—	—	—	RPB15R<4:0>
1680	RPC0R ⁽¹⁾	31:16	—	—	—	—	—	—	—	—	—	—	—	—	—	—	—	—	0000
		15:0	—	—	—	—	—	—	—	—	—	—	—	—	—	—	—	—	RPC0R<4:0>
1684	RPC1R ⁽¹⁾	31:16	—	—	—	—	—	—	—	—	—	—	—	—	—	—	—	—	0000
		15:0	—	—	—	—	—	—	—	—	—	—	—	—	—	—	—	—	RPC1R<4:0>
1688	RPC2R ⁽¹⁾	31:16	—	—	—	—	—	—	—	—	—	—	—	—	—	—	—	—	0000
		15:0	—	—	—	—	—	—	—	—	—	—	—	—	—	—	—	—	RPC2R<4:0>
1698	RPC6R ⁽¹⁾	31:16	—	—	—	—	—	—	—	—	—	—	—	—	—	—	—	—	0000
		15:0	—	—	—	—	—	—	—	—	—	—	—	—	—	—	—	—	RPC6R<4:0>
169C	RPC7R ⁽¹⁾	31:16	—	—	—	—	—	—	—	—	—	—	—	—	—	—	—	—	0000
		15:0	—	—	—	—	—	—	—	—	—	—	—	—	—	—	—	—	RPC7R<4:0>
16A0	RPC8R ⁽¹⁾	31:16	—	—	—	—	—	—	—	—	—	—	—	—	—	—	—	—	0000
		15:0	—	—	—	—	—	—	—	—	—	—	—	—	—	—	—	—	RPC8R<4:0>
16A4	RPC9R ⁽¹⁾	31:16	—	—	—	—	—	—	—	—	—	—	—	—	—	—	—	—	0000
		15:0	—	—	—	—	—	—	—	—	—	—	—	—	—	—	—	—	RPC9R<4:0>
16A8	RPC10R ⁽¹⁾	31:16	—	—	—	—	—	—	—	—	—	—	—	—	—	—	—	—	0000
		15:0	—	—	—	—	—	—	—	—	—	—	—	—	—	—	—	—	RPC10R<4:0>
16B0	RPC12R	31:16	—	—	—	—	—	—	—	—	—	—	—	—	—	—	—	—	0000
		15:0	—	—	—	—	—	—	—	—	—	—	—	—	—	—	—	—	RPC12R<4:0>
16BC	RPC15R	31:16	—	—	—	—	—	—	—	—	—	—	—	—	—	—	—	—	0000
		15:0	—	—	—	—	—	—	—	—	—	—	—	—	—	—	—	—	RPC15R<4:0>
16E0	RPD8R ⁽¹⁾	31:16	—	—	—	—	—	—	—	—	—	—	—	—	—	—	—	—	0000
		15:0	—	—	—	—	—	—	—	—	—	—	—	—	—	—	—	—	RPD8R<4:0>

Legend: x = unknown value on Reset; — = unimplemented, read as '0'. Reset values are shown in hexadecimal.

Note 1: Does not exist on 32 and 28 pin variants.

Note 2: Does not exist on 28 pin variant.

PIC32MK MCA Family

REGISTER 11-1: $[pin\ name]R$: PERIPHERAL PIN SELECT INPUT REGISTER

Bit Range	Bit 31/23/15/7	Bit 30/22/14/6	Bit 29/21/13/5	Bit 28/20/12/4	Bit 27/19/11/3	Bit 26/18/10/2	Bit 25/17/9/1	Bit 24/16/8/0
31:24	U-0	U-0	U-0	U-0	U-0	U-0	U-0	U-0
	—	—	—	—	—	—	—	—
23:16	U-0	U-0	U-0	U-0	U-0	U-0	U-0	U-0
	—	—	—	—	—	—	—	—
15:8	U-0	U-0	U-0	U-0	U-0	U-0	U-0	U-0
	—	—	—	—	—	—	—	—
7:0	U-0	U-0	U-0	U-0	R/W-0	R/W-0	R/W-0	R/W-0
	—	—	—	—	$[pin\ name]R<3:0>$			

Legend:

R = Readable bit W = Writable bit U = Unimplemented bit, read as '0'
 -n = Value at POR '1' = Bit is set '0' = Bit is cleared x = Bit is unknown

bit 31-4 **Unimplemented:** Read as '0'

bit 3-0 **$[pin\ name]R<3:0>$:** Peripheral Pin Select Input bits

Where $[pin\ name]$ refers to the pins that are used to configure peripheral input mapping. See [Table 11-1](#) for input pin selection values.

Note: Register values can only be changed if the IOLOCK Configuration bit (CFGCON<13>) = 0.

REGISTER 11-2: $RPnR$: PERIPHERAL PIN SELECT OUTPUT REGISTER

Bit Range	Bit 31/23/15/7	Bit 30/22/14/6	Bit 29/21/13/5	Bit 28/20/12/4	Bit 27/19/11/3	Bit 26/18/10/2	Bit 25/17/9/1	Bit 24/16/8/0
31:24	U-0	U-0	U-0	U-0	U-0	U-0	U-0	U-0
	—	—	—	—	—	—	—	—
23:16	U-0	U-0	U-0	U-0	U-0	U-0	U-0	U-0
	—	—	—	—	—	—	—	—
15:8	U-0	U-0	U-0	U-0	U-0	U-0	U-0	U-0
	—	—	—	—	—	—	—	—
7:0	U-0	U-0	U-0	R/W-0	R/W-0	R/W-0	R/W-0	R/W-0
	—	—	—	$RPnR<4:0>$				

Legend:

R = Readable bit W = Writable bit U = Unimplemented bit, read as '0'
 -n = Value at POR '1' = Bit is set '0' = Bit is cleared x = Bit is unknown

bit 31-5 **Unimplemented:** Read as '0'

bit 4-0 **$RPnR<4:0>$:** Peripheral Pin Select Output bits

See [Table 11-2](#) for output pin selection values.

Note: Register values can only be changed if the IOLOCK Configuration bit (CFGCON<13>) = 0.

PIC32MK MCA Family

REGISTER 11-3: CNCONx: CHANGE NOTICE CONTROL FOR PORTx REGISTER (x = A – G)

Bit Range	Bit 31/23/15/7	Bit 30/22/14/6	Bit 29/21/13/5	Bit 28/20/12/4	Bit 27/19/11/3	Bit 26/18/10/2	Bit 25/17/9/1	Bit 24/16/8/0
31:24	U-0	U-0	U-0	U-0	U-0	U-0	U-0	U-0
	—	—	—	—	—	—	—	—
23:16	U-0	U-0	U-0	U-0	U-0	U-0	U-0	U-0
	—	—	—	—	—	—	—	—
15:8	R/W-0	U-0	R/W-0	U-0	R/W-0	r-0	U-0	U-0
	ON	—	SIDL	—	EDGEDETECT	—	—	—
7:0	U-0	U-0	U-0	U-0	U-0	U-0	U-0	U-0
	—	—	—	—	—	—	—	—

Legend:

R = Readable bit	W = Writable bit	U = Unimplemented bit, read as '0'
-n = Value at POR	'1' = Bit is set	'0' = Bit is cleared
		x = Bit is unknown

bit 31-16 **Unimplemented:** Read as '0'

bit 15 **ON:** Change Notice (CN) Control ON bit

1 = CN is enabled

0 = CN is disabled

bit 14 **Unimplemented:** Read as '0'

bit 13 **SIDL:** Stop in Idle Control bit

1 = CPU Idle mode halts CN operation

0 = CPU Idle mode does not affect CN operation

bit 12 **Unimplemented:** Read as '0'

bit 11 **EDGEDETECT:** Edge Detection Type Control bit

1 = Detects any edge on the pin (CNx is used for the CN event)

0 = Detects any edge on the pin (CNSTATx is used for the CN event)

bit 10 **Reserved:** Always write '0'

bit 9-0 **Unimplemented:** Read as '0'

PIC32MK MCA Family

12.0 TIMER1

Note: This data sheet summarizes the features of the PIC32MK MCA Family of devices. It is not intended to be a comprehensive reference source. To complement the information in this data sheet, refer to **Section 14. “Timers”** (DS60001105), which is available from the *Documentation > Reference Manual* section of the Microchip PIC32 web site (www.microchip.com/pic32).

The PIC32MK MCA Family of devices feature one synchronous/asynchronous 16-bit timer that can operate as a free-running interval timer for various timing applications and counting external events. This timer can also be used with the low-power Secondary Oscillator (Sosc) for real-time clock applications.

The following modes are supported by Timer1:

- Synchronous Internal Timer
- Synchronous Internal Gated Timer
- Synchronous External Timer
- Asynchronous External Timer

12.1 Additional Supported Features

- Selectable clock prescaler
- Timer operation during Sleep and Idle modes
- Fast bit manipulation using CLR, SET, and INV registers
- Asynchronous mode can be used with the Sosc to function as a real-time clock
- ADC event trigger

12.2 Timer1 Usage Model Guidelines

12.2.1 EXTERNAL CLOCK MODE OPERATION

When the Timer is operating with an external clock mode with the TCS bit (TxCON<1>) = 1, the mode bits of the TxCON register must be initialized using a separate Write operation from that used to enable the Timer. Specifically, the TCS, TSYNC, and so on, bits must be written first, and then the ON bit (TxCON<15>) must be set in a subsequent write.

After the ON bit is set, any writes to the TxCON register may cause erroneous counter operation.

Note: The ON bit should be clear when updates are made to any other bits in the TxCON register.

12.2.2 ASYNCHRONOUS MODE OPERATION

When writing the ON bit when the Timer is configured in Asynchronous mode or in an external clock mode with the prescaler enabled, the act of setting the ON bit does not take effect until two rising edges of the external clock input have occurred.

12.2.3 ASYNCHRONOUS MODE OPERATION WITH A PENDING TMRx REGISTER WRITE

When the Timer is configured in Asynchronous mode and the Timer is attempting to write to the TMRx register while a previous write is awaiting synchronization, the value written to the timer can become corrupted.

To ensure that writes will not cause the TMRx value to become corrupted, the TWDIS bit (TxCON<12>), when set, will ignore a write to the TMRx register when a previous write to the TMRx register is awaiting synchronization into the Asynchronous Timer Clock domain.

The TWIP bit (TxCON<11>) indicates when write synchronization is complete, and it is safe to write another value to the timer.

12.2.4 PRx REGISTER WRITES

Writing to the PRx register while the Timer is active, may cause erratic operation.

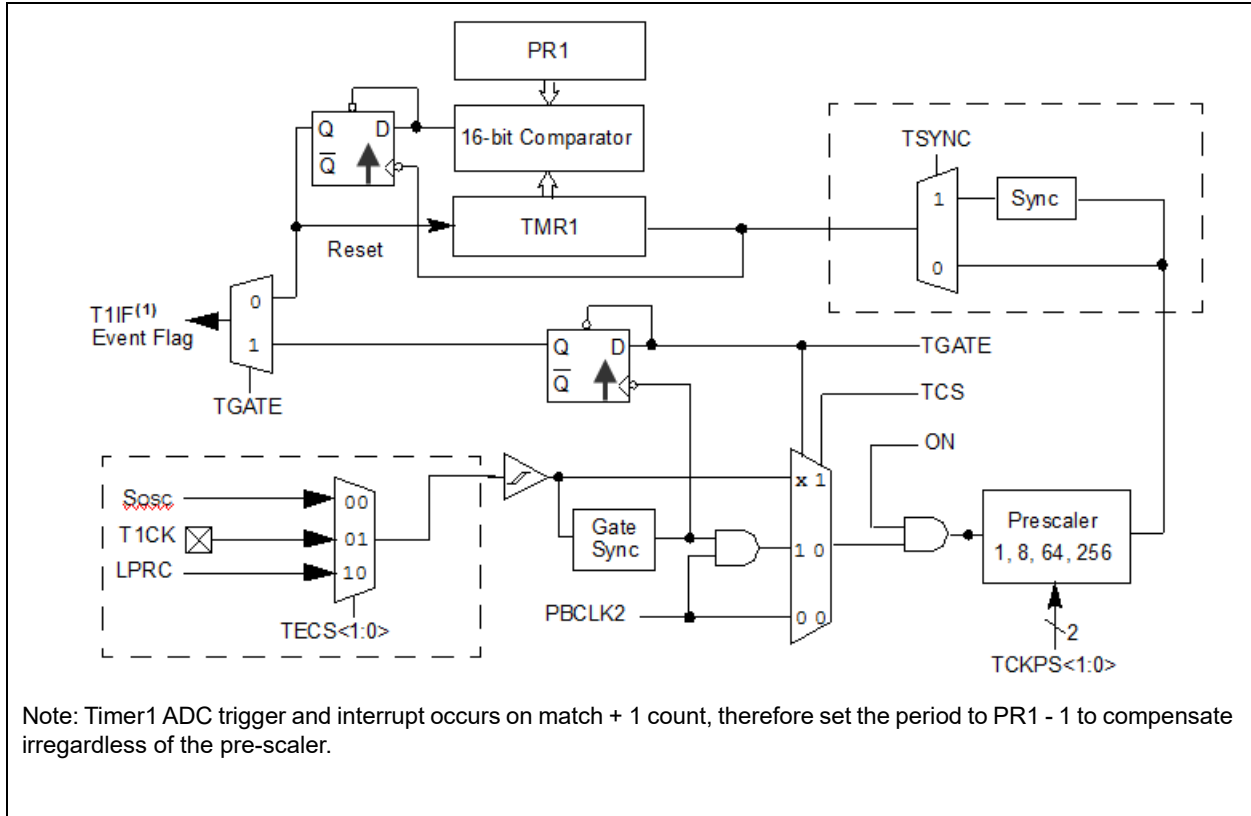
12.2.5 TIMER1 FORMULA

$$PR1 = ((Desired\ Time * FPBCLK2) - Prescaler\ Count)$$

- Prescaler Count = 1, 8, 64, 256
- $FPBCLK2 = (FSYSCLK / PB2DIV<PBDIV>)$

Note: Timer1 interrupt occurs one additional prescaler cycle count *after* the timer and period match (TMR1 = PR1).

FIGURE 12-1: TIMER1 BLOCK DIAGRAM



12.3 Timer1 Control Register

TABLE 12-1: TIMER1 REGISTER MAP

Virtual Address (BF82_#)	Register Name(*)	Bit Range	Bits																All Resets
			31/15	30/14	29/13	28/12	27/11	26/10	25/9	24/8	23/7	22/6	21/5	20/4	19/3	18/2	17/1	16/0	
0000	T1CON	31:16	—	—	—	—	—	—	—	—	—	—	—	—	—	—	—	0000	
		15:0	ON	—	SIDL	TWDIS	TWIP	—	TECS<1:0>	TGATE	—	TCKPS<1:0>	—	TSYNC	TCS	—	—	0000	
0010	TMR1	31:16	—	—	—	—	—	—	—	—	—	—	—	—	—	—	—	0000	
		15:0	TMR1<15:0>																0000
0020	PR1	31:16	—	—	—	—	—	—	—	—	—	—	—	—	—	—	—	0000	
		15:0	PR1<15:0>																FFFF

Legend: x = unknown value on Reset; — = unimplemented, read as '0'. Reset values are shown in hexadecimal.

Note 1: All registers in this table have corresponding CLR, SET, and INV registers at their virtual addresses, plus offsets of 0x4, 0x8, and 0xC, respectively. See [11.2 "CLR, SET, and INV Registers"](#) for more information.

PIC32MK MCA Family

REGISTER 12-1: T1CON: TYPE A TIMER CONTROL REGISTER

Bit Range	Bit 31/23/15/7	Bit 30/22/14/6	Bit 29/21/13/5	Bit 28/20/12/4	Bit 27/19/11/3	Bit 26/18/10/2	Bit 25/17/9/1	Bit 24/16/8/0
31:24	U-0	U-0	U-0	U-0	U-0	U-0	U-0	U-0
	—	—	—	—	—	—	—	—
23:16	U-0	U-0	U-0	U-0	U-0	U-0	U-0	U-0
	—	—	—	—	—	—	—	—
15:8	R/W-0	U-0	R/W-0	R/W-0	R-0	U-0	R/W-0	R/W-0
	ON	—	SIDL	TWDIS	TWIP	—	TECS<1:0>	
7:0	R/W-0	U-0	R/W-0	R/W-0	U-0	R/W-0	R/W-0	U-0
	TGATE	—	TCKPS<1:0>		—	TSYNC	TCS	—

Legend:

R = Readable bit	W = Writable bit	U = Unimplemented bit, read as '0'
-n = Value at POR	'1' = Bit is set	'0' = Bit is cleared x = Bit is unknown

- bit 31-16 **Unimplemented:** Read as '0'
- bit 15 **ON:** Timer On bit
 - 1 = Timer is enabled
 - 0 = Timer is disabled
- bit 14 **Unimplemented:** Read as '0'
- bit 13 **SIDL:** Stop in Idle Mode bit
 - 1 = Discontinue operation when device enters Idle mode
 - 0 = Continue operation even in Idle mode
- bit 12 **TWDIS:** Asynchronous Timer Write Disable bit
 - 1 = Writes to TMR1 are ignored until pending write operation completes
 - 0 = Back-to-back writes are enabled (Legacy Asynchronous Timer functionality)
- bit 11 **TWIP:** Asynchronous Timer Write in Progress bit
 - In Asynchronous Timer mode:
 - 1 = Asynchronous write to TMR1 register in progress
 - 0 = Asynchronous write to TMR1 register complete
 - In Synchronous Timer mode:
 - This bit is read as '0'.
- bit 10 **Unimplemented:** Read as '0'
- bit 9-8 **TECS<1:0>:** Timer1 External Clock Selection bits
 - 11 = Reserved
 - 10 = External clock comes from the LPRC
 - 01 = External clock comes from the T1CK pin
 - 00 = External clock comes from the Sosc
- bit 7 **TGATE:** Timer Gated Time Accumulation Enable bit
 - When TCS = 1:
 - This bit is ignored.
 - When TCS = 0:
 - 1 = Gated time accumulation is enabled
 - 0 = Gated time accumulation is disabled
- bit 6 **Unimplemented:** Read as '0'
- bit 5-4 **TCKPS<1:0>:** Timer Input Clock Prescale Select bits
 - 11 = 1:256 prescale value
 - 10 = 1:64 prescale value
 - 01 = 1:8 prescale value
 - 00 = 1.1 prescale value

PIC32MK MCA Family

REGISTER 12-1: T1CON: TYPE A TIMER CONTROL REGISTER (CONTINUED)

- bit 3 **Unimplemented:** Read as '0'
- bit 2 **TSYNC:** Timer External Clock Input Synchronization Selection bit
 When TCS = 1:
 1 = External clock input is synchronized
 0 = External clock input is not synchronized
 When TCS = 0:
 This bit is ignored.
- bit 1 **TCS:** Timer Clock Source Select bit
 1 = External clock is defined by the TECS<1:0> bits
 0 = Internal peripheral clock
- bit 0 **Unimplemented:** Read as '0'

NOTES:

PIC32MK MCA Family

13.0 TIMER2 THROUGH TIMER5

Note: This data sheet summarizes the features of the PIC32MK MCA Family of devices. It is not intended to be a comprehensive reference source. To complement the information in this data sheet, refer to **Section 14. “Timers”** (DS60001105), which is available from the *Documentation > Reference Manual* section of the Microchip PIC32 web site (www.microchip.com/pic32).

The PIC32MK MCA Family of devices features eight native synchronous/asynchronous 16-bit or 32-bit timers (default 16-bit mode) that can operate as free-running interval timers for various timing applications and counting external events.

13.1 Features

The following are key features of the timers:

- External 16-bit or 32-bit Counter Input mode
- Asynchronous external clock with/without selectable prescaler
- Synchronous internal clock with/without selectable prescaler
- External gate control (External pulse width measurement)
- Automatic timer synchronization control
- Operation in Idle mode
- Interrupt on a period register match or falling edge of external gate signal
- Time base for Input Capture and/or Output Compare modules

13.2 Timer2-Timer5 Formula

$$PRx = ((Desired\ Time * FPBCLK2) - Prescaler\ Count)$$

- Prescaler Count = 1, 2, 4, 8, 16, 32, 64, 256
- $FPBCLK2 = (FSYSCLK / PB2DIV < PBDIV >)$

Note: Timer interrupts and triggers occur one additional prescaler cycle count *after* the timer and period match ($TMRx = PRx$).

FIGURE 13-1: TIMER2 THROUGH TIMER5 BLOCK DIAGRAM (16/32-BIT)

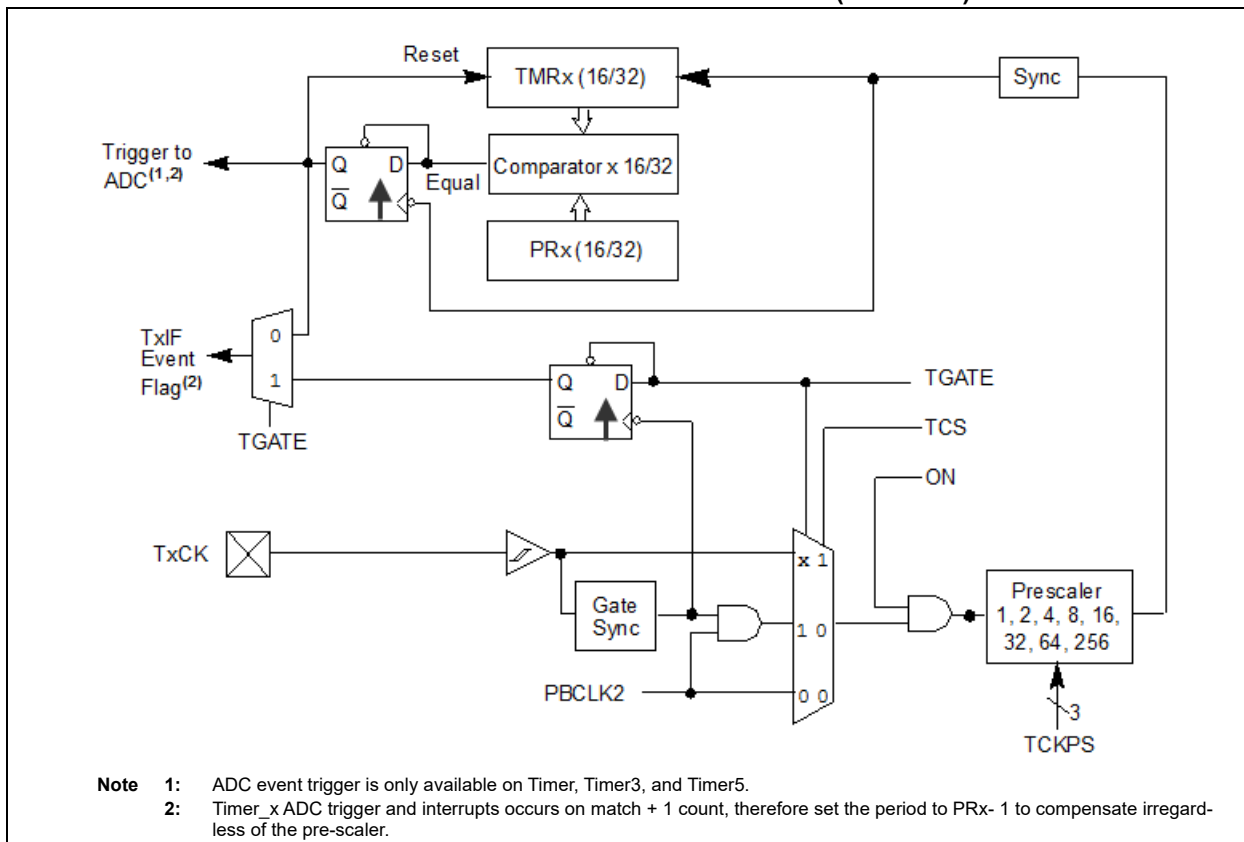
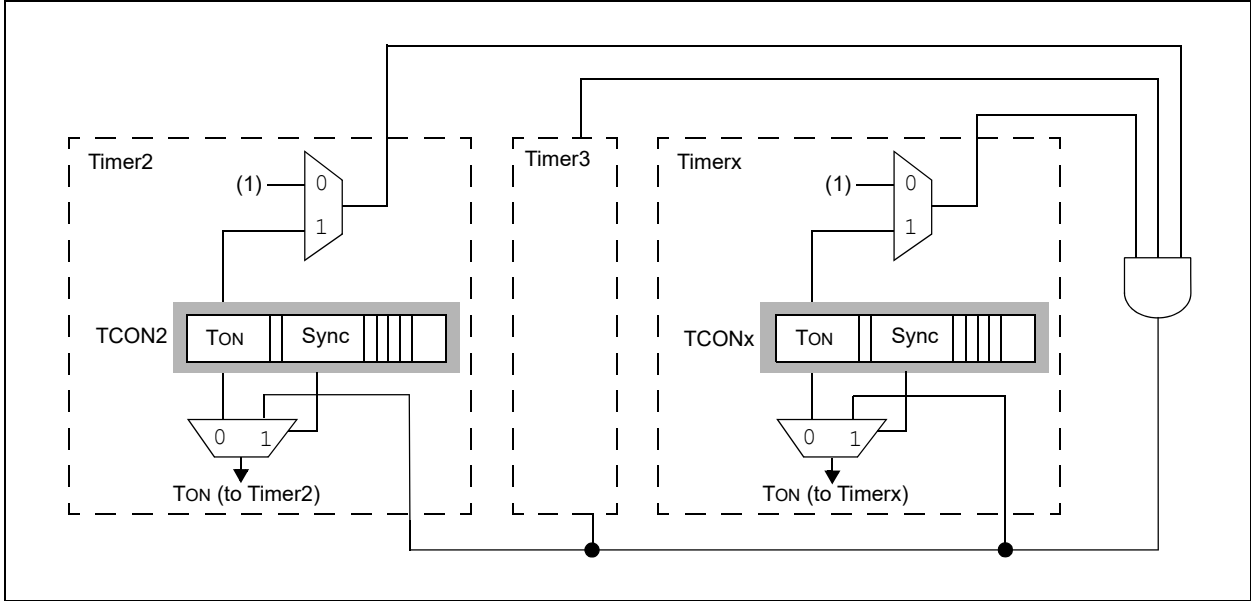


FIGURE 13-2: TIMER SYNCHRONIZATION BLOCK DIAGRAM



13.3 Timer2-Timer5 Control Registers

TABLE 13-1: TIMER2 THROUGH TIMER5 REGISTER MAP

Virtual Address (BF62_#)	Register Name(1)	Bit Range	Bits																All Resets
			31/15	30/14	29/13	28/12	27/11	26/10	25/9	24/8	23/7	22/6	21/5	20/4	19/3	18/2	17/1	16/0	
0200	T2CON	31:16	—	—	—	—	—	—	—	—	—	—	—	—	—	—	—	—	0000
		15:0	ON	—	SIDL	—	—	—	—	—	SYNC	TGATE	TCKPS<2:0>			T32	—	TCS	—
0210	TMR2	31:16	TMR2<31:16>																0000
		15:0	TMR2<15:0>																0000
0220	PR2	31:16	PR2<31:16>																FFFF
		15:0	PR2<15:0>																FFFF
0400	T3CON	31:16	—	—	—	—	—	—	—	—	—	—	—	—	—	—	—	—	0000
		15:0	ON	—	SIDL	—	—	—	—	—	SYNC	TGATE	TCKPS<2:0>			T32	—	TCS	—
0410	TMR3	31:16	TMR3<31:16>																0000
		15:0	TMR3<15:0>																0000
0420	PR3	31:16	PR3<31:16>																FFFF
		15:0	PR3<15:0>																FFFF
0600	T4CON	31:16	—	—	—	—	—	—	—	—	—	—	—	—	—	—	—	—	0000
		15:0	ON	—	SIDL	—	—	—	—	—	SYNC	TGATE	TCKPS<2:0>			T32	—	TCS	—
0610	TMR4	31:16	TMR4<31:16>																0000
		15:0	TMR4<15:0>																0000
0620	PR4	31:16	PR4<31:16>																FFFF
		15:0	PR4<15:0>																FFFF
0800	T5CON	31:16	—	—	—	—	—	—	—	—	—	—	—	—	—	—	—	—	0000
		15:0	ON	—	SIDL	—	—	—	—	—	SYNC	TGATE	TCKPS<2:0>			T32	—	TCS	—
0810	TMR5	31:16	TMR5<31:16>																0000
		15:0	TMR5<15:0>																0000
0820	PR5	31:16	PR5<31:16>																FFFF
		15:0	PR5<15:0>																FFFF

Legend: x = unknown value on Reset; — = unimplemented, read as '0'. Reset values are shown in hexadecimal.

Note 1: All registers in this table have corresponding CLR, SET, and INV registers at their virtual addresses, plus offsets of 0x4, 0x8, and 0xC, respectively. See 11.2 “CLR, SET, and INV Registers” for more information.

PIC32MK MCA Family

REGISTER 13-1: TxCON: TYPE B TIMER CONTROL REGISTER ('x' = 2-5)

Bit Range	Bit 31/23/15/7	Bit 30/22/14/6	Bit 29/21/13/5	Bit 28/20/12/4	Bit 27/19/11/3	Bit 26/18/10/2	Bit 25/17/9/1	Bit 24/16/8/0
31:24	U-0	U-0	U-0	U-0	U-0	U-0	U-0	U-0
	—	—	—	—	—	—	—	—
23:16	U-0	U-0	U-0	U-0	U-0	U-0	U-0	U-0
	—	—	—	—	—	—	—	—
15:8	R/W-0	U-0	R/W-0	U-0	U-0	U-0	U-0	R/W-0
	ON	—	SIDL	—	—	—	—	SYNC
7:0	R/W-0	R/W-0	R/W-0	R/W-0	R/W-0	U-0	R/W-0	U-0
	TGATE	TCKPS<2:0>			T32	—	TCS	—

Legend:

R = Readable bit W = Writable bit U = Unimplemented bit, read as '0'
 -n = Value at POR '1' = Bit is set '0' = Bit is cleared x = Bit is unknown

- bit 31-16 **Unimplemented:** Read as '0'
- bit 15 **ON:** Timer On bit
 - 1 = Module is enabled
 - 0 = Module is disabled
- bit 14 **Unimplemented:** Read as '0'
- bit 13 **SIDL:** Stop in Idle Mode bit
 - 1 = Discontinue operation when device enters Idle mode
 - 0 = Continue operation even in Idle mode
- bit 12-9 **Unimplemented:** Read as '0'
- bit 8 **SYNC:** TMRx Synchronized Timer Start/Stop Enable bit
 - 1 = TMRx synchronized timer start/stop is enabled
 - 0 = TMRx synchronized timer start/stop is disabled

Note: Setting this bit chains all timers whose corresponding SYNC bit is also set such that when the TON bit of all corresponding timers is set, the timers are enabled simultaneously. If any timers in the group are disabled, they are all disabled simultaneously. See [Figure 13-2](#) for additional information.
- bit 7 **TGATE:** Timer Gated Time Accumulation Enable bit
 - When TCS = 1:
This bit is ignored and is read as '0'.
 - When TCS = 0:
1 = Gated time accumulation is enabled
0 = Gated time accumulation is disabled
- bit 6-4 **TCKPS<2:0>:** Timer Input Clock Prescale Select bits
 - 111 = 1:256 prescale value
 - 110 = 1:64 prescale value
 - 101 = 1:32 prescale value
 - 100 = 1:16 prescale value
 - 011 = 1:8 prescale value
 - 010 = 1:4 prescale value
 - 001 = 1:2 prescale value
 - 000 = 1:1 prescale value
- bit 3 **T32:** 32-Bit Timer Mode Select bit
 - 1 = 32-bit Timer mode
 - 0 = 16-bit Timer mode
- bit 2 **Unimplemented:** Read as '0'
- bit 1 **TCS:** Timer Clock Source Select bit
 - 1 = External clock from TxCK pin
 - 0 = Internal peripheral clock
- bit 0 **Unimplemented:** Read as '0'

PIC32MK MCA Family

14.0 DEADMAN TIMER (DMT)

Note: This data sheet summarizes the features of the PIC32MK MCA Family of devices. It is not intended to be a comprehensive reference source. To complement the information in this data sheet, refer to **Section 9. “Watchdog, Deadman, and Power-up Timers”** (DS60001114), which is available from the *Documentation > Reference Manual* section of the Microchip PIC32 web site (www.microchip.com/pic32).

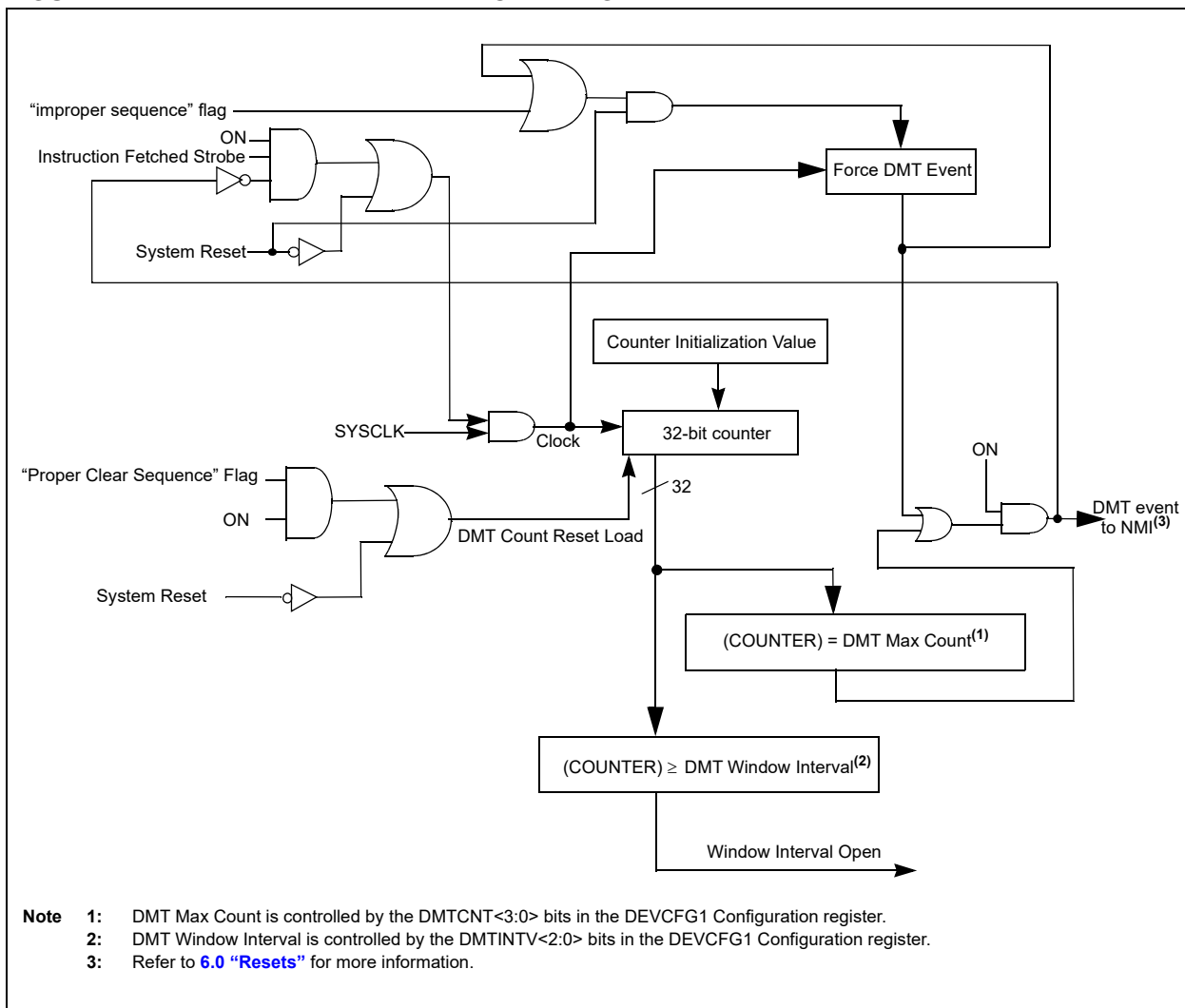
The primary function of the Deadman Timer (DMT) is to reset the processor in the event of a software malfunction. The DMT is a free-running instruction fetch timer, which is clocked whenever an instruction fetch occurs until a count match occurs. Instructions are not fetched when the processor is in Sleep mode.

The DMT consists of a 32-bit counter with a time-out count match value as specified by the DMTCNT<3:0> bits in the DEVCFG1 Configuration register.

A Deadman Timer is typically used in mission critical and safety critical applications, where any single failure of the software functionality and sequencing must be detected.

Figure 14-1 shows a block diagram of the Deadman Timer module.

FIGURE 14-1: DEADMAN TIMER BLOCK DIAGRAM



14.1 Deadman Timer Control Registers

TABLE 14-1: DEADMAN TIMER REGISTER MAP

Virtual Address (BF80_#)	Register Name	Bit Range	Bits															All Resets	
			31/15	30/14	29/13	28/12	27/11	26/10	25/9	24/8	23/7	22/6	21/5	20/4	19/3	18/2	17/1		16/0
0E00	DMTCON	31:16	—	—	—	—	—	—	—	—	—	—	—	—	—	—	—	—	0000
		15:0	ON	—	—	—	—	—	—	—	—	—	—	—	—	—	—	—	0000
0E10	DMTPRECLR	31:16	—	—	—	—	—	—	—	—	—	—	—	—	—	—	—	0000	
		15:0	STEP1<7:0>									—	—	—	—	—	—	—	0000
0E20	DMCLR	31:16	—	—	—	—	—	—	—	—	—	—	—	—	—	—	—	0000	
		15:0	—	—	—	—	—	—	—	—	STEP2<7:0>						—	—	—
0E30	DMTSTAT	31:16	—	—	—	—	—	—	—	—	—	—	—	—	—	—	—	0000	
		15:0	—	—	—	—	—	—	—	—	BAD1	BAD2	DMTEVENT	—	—	—	—	WINOPN	0000
0E40	DMTCNT	31:16	COUNTER<31:0>															0000	
		15:0	COUNTER<31:0>															0000	
0E60	DMTPSCNT	31:16	PSCNT<31:0>															0000	
		15:0	PSCNT<31:0>															0000	
0E70	DMTPSINTV	31:16	PSINTV<31:0>															0000	
		15:0	PSINTV<31:0>															0000	

Legend: x = unknown value on Reset; — = unimplemented, read as '0'. Reset values are shown in hexadecimal.

PIC32MK MCA Family

REGISTER 14-3: DMTCLR: DEADMAN TIMER CLEAR REGISTER

Bit Range	Bit 31/23/15/7	Bit 30/22/14/6	Bit 29/21/13/5	Bit 28/20/12/4	Bit 27/19/11/3	Bit 26/18/10/2	Bit 25/17/9/1	Bit 24/16/8/0
31:24	U-0	U-0	U-0	U-0	U-0	U-0	U-0	U-0
	—	—	—	—	—	—	—	—
23:16	U-0	U-0	U-0	U-0	U-0	U-0	U-0	U-0
	—	—	—	—	—	—	—	—
15:8	U-0	U-0	U-0	U-0	U-0	U-0	U-0	U-0
	—	—	—	—	—	—	—	—
7:0	R/W-0	R/W-0	R/W-0	R/W-0	R/W-0	R/W-0	R/W-0	R/W-0
	STEP2<7:0>							

Legend:

R = Readable bit	W = Writable bit	U = Unimplemented bit, read as '0'
-n = Value at POR	'1' = Bit is set	'0' = Bit is cleared x = Bit is unknown

bit 31-8 **Unimplemented:** Read as '0'

bit 7-0 **STEP2<7:0>:** Clear Timer bits

00001000 = Clears STEP1<7:0>, STEP2<7:0> and the Deadman Timer if, and only if, preceded by correct loading of STEP1<7:0> bits in the correct sequence. The write to these bits may be verified by reading DMTCNT and observing the counter being reset.

All other write patterns = Set BAD2 bit, the value of STEP1<7:0> will remain unchanged, and the new value being written STEP2<7:0> will be captured. These bits are also cleared when a DMT reset event occurs.

PIC32MK MCA Family

REGISTER 14-4: DMTSTAT: DEADMAN TIMER STATUS REGISTER

Bit Range	Bit 31/23/15/7	Bit 30/22/14/6	Bit 29/21/13/5	Bit 28/20/12/4	Bit 27/19/11/3	Bit 26/18/10/2	Bit 25/17/9/1	Bit 24/16/8/0
31:24	U-0	U-0	U-0	U-0	U-0	U-0	U-0	U-0
	—	—	—	—	—	—	—	—
23:16	U-0	U-0	U-0	U-0	U-0	U-0	U-0	U-0
	—	—	—	—	—	—	—	—
15:8	U-0	U-0	U-0	U-0	U-0	U-0	U-0	U-0
	—	—	—	—	—	—	—	—
7:0	R-0, HC	R-0, HC	R-0, HC	R/W-0	R/W-0	R/W-0	R/W-0	R-0
	BAD1	BAD2	DMTEVENT					WINOPN

Legend:	HC = Hardware Cleared
R = Readable bit	W = Writable bit
-n = Value at POR	'1' = Bit is set
	U = Unimplemented bit, read as '0'
	'0' = Bit is cleared
	x = Bit is unknown

- bit 31-8 **Unimplemented:** Read as '0'
- bit 7 **BAD1:** Bad STEP1<7:0> Value Detect bit
 - 1 = Incorrect STEP1<7:0> value or out of sequence write to STEP2<7:0> was detected
 - 0 = Incorrect STEP1<7:0> value was not detected
- bit 6 **BAD2:** Bad STEP2<7:0> Value Detect bit
 - 1 = Incorrect STEP2<7:0> value was detected
 - 0 = Incorrect STEP2<7:0> value was not detected
- bit 5 **DMTEVENT:** Deadman Timer Event bit
 - 1 = Deadman timer event was detected (counter expired or bad STEP1<7:0> or STEP2<7:0> value was entered prior to counter increment)
 - 0 = Deadman timer even was not detected

Note: This bit is cleared only on a Reset.
- bit 4-1 **Unimplemented:** Read as '0'
- bit 0 **WINOPN:** Deadman Timer Clear Window bit
 - 1 = Deadman timer clear window is open
 - 0 = Deadman timer clear window is not open

PIC32MK MCA Family

REGISTER 14-7: DMTPSINTV: POST STATUS CONFIGURE DMT INTERVAL STATUS REGISTER

Bit Range	Bit 31/23/15/7	Bit 30/22/14/6	Bit 29/21/13/5	Bit 28/20/12/4	Bit 27/19/11/3	Bit 26/18/10/2	Bit 25/17/9/1	Bit 24/16/8/0
31:24	R-0	R-0	R-0	R-0	R-0	R-0	R-0	R-0
	PSINTV<31:24>							
23:16	R-0	R-0	R-0	R-0	R-0	R-0	R-0	R-0
	PSINTV<23:16>							
15:8	R-0	R-0	R-0	R-0	R-0	R-0	R-0	R-0
	PSINTV<15:8>							
7:0	R-0	R-0	R-0	R-0	R-0	R-y	R-y	R-y
	PSINTV<7:0>							

Legend:			y= Value set from Configuration bits on POR		
R = Readable bit	W = Writable bit		U = Unimplemented bit, read as '0'		
-n = Value at POR	'1' = Bit is set	'0' = Bit is cleared	x = Bit is unknown		

bit 31-8 **PSINTV<31:0>**: DMT Window Interval Configuration Status bits
 This is always the value of the DMTINTV<2:0> bits in the DEVCFG1 Configuration register.

NOTES:

PIC32MK MCA FAMILY

15.0 WATCHDOG TIMER (WDT)

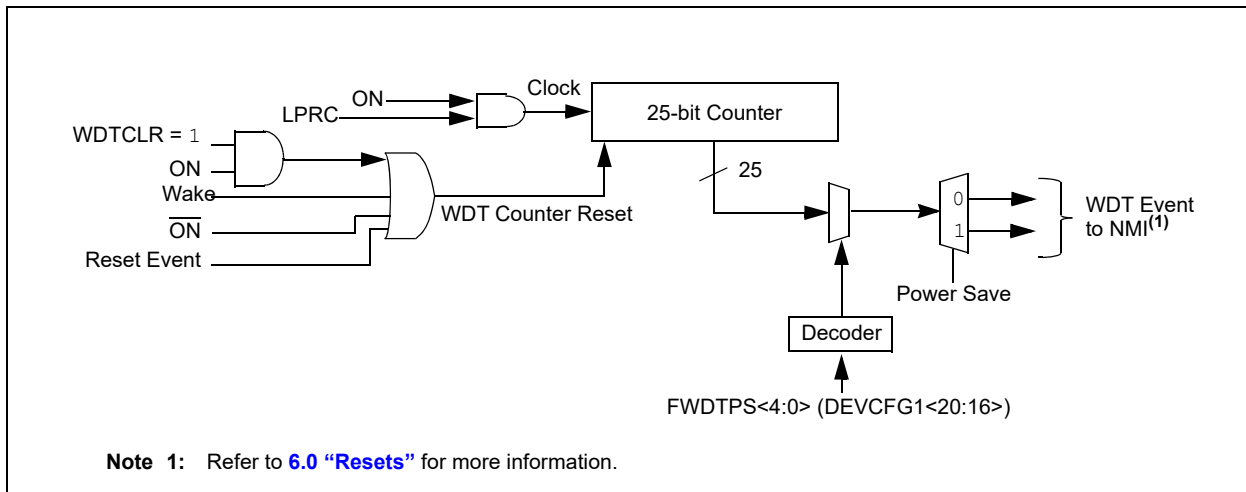
Note: This data sheet summarizes the features of the PIC32MK MCA Family of devices. It is not intended to be a comprehensive reference source. To complement the information in this data sheet, refer to **Section 9. “Watchdog, Deadman, and Power-up Timers”** (DS60001114), which is available from the *Documentation > Reference Manual* section of the Microchip PIC32 web site (www.microchip.com/pic32).

When enabled, the Watchdog Timer (WDT) operates from the internal Low-Power Oscillator (LPRC) clock source and can be used to detect system software malfunctions by resetting the device if the WDT is not cleared periodically in software. Various WDT time-out periods can be selected using the WDT postscaler. The WDT can also be used to wake the device from Sleep or Idle mode.

The following are some of the key features of the WDT module:

- Configuration or software controlled
- User-configurable time-out period
- Can wake the device from Sleep or Idle

FIGURE 15-1: WATCHDOG TIMER BLOCK DIAGRAM



15.1 Watchdog Timer Control Registers

TABLE 15-1: WATCHDOG TIMER REGISTER MAP

Virtual Address (BF80_#)	Register Name	Bit Range	Bits														All Resets
			31/15	30/14	29/13	28/12	27/11	26/10	25/9	24/8	23/7	22/6	21/5	20/4	19/3	18/2	
0C00	WDTCON ⁽¹⁾	31:16	WDTCLRKEY<15:0>														0000
		15:0	ON	—	—	RUNDIV<4:0>				—	—	SLPDIV<4:0>				WDTWINEN	0000

Legend: x = unknown value on Reset; — = unimplemented, read as '0'. Reset values are shown in hexadecimal.

Note 1: This register has corresponding CLR, SET, and INV registers at its virtual address, plus an offset of 0x4, 0x8, and 0xC, respectively. See 13.2 "CLR, SET, and INV Registers" for more information.

PIC32MK MCA FAMILY

REGISTER 15-1: WDTCON: WATCHDOG TIMER CONTROL REGISTER

Bit Range	Bit 31/23/15/7	Bit 30/22/14/6	Bit 29/21/13/5	Bit 28/20/12/4	Bit 27/19/11/3	Bit 26/18/10/2	Bit 25/17/9/1	Bit 24/16/8/0
31:24	W-0	W-0	W-0	W-0	W-0	W-0	W-0	W-0
WDTCLRKEY<15:8>								
23:16	W-0	W-0	W-0	W-0	W-0	W-0	W-0	W-0
WDTCLRKEY<7:0>								
15:8	R/W-0	U-0	U-0	R-y	R-y	R-y	R-y	R-y
	ON ⁽¹⁾	—	—	RUNDIV<4:0>				
7:0	U-0	U-0	R-y	R-y	R-y	R-y	R-y	R/W-0
	—	—	SLPDIV<4:0>					WDTWINEN

Legend:	y = Values set from Configuration bits on POR
R = Readable bit	W = Writable bit U = Unimplemented bit, read as '0'
-n = Value at POR	'1' = Bit is set '0' = Bit is cleared x = Bit is unknown

bit 31-16 **WDTCLRKEY<15:0>**: Watchdog Timer Clear Key bits

To clear the Watchdog Timer to prevent a time-out, software must write the value 0x5743 to these bits using a single 16-bit write.

bit 15 **ON**: Watchdog Timer Enable bit⁽¹⁾

1 = The Watchdog Timer module is enabled
0 = The Watchdog Timer module is disabled

bit 14-13 **Unimplemented**: Read as '0'

bit 12-8 **RUNDIV<4:0>**: Watchdog Timer Postscaler Value in Run Mode bits

In Run mode, these bits are set to the values of the WDTPS<4:0> Configuration bits in the DEVCFG1 register.

bit 7-6 **Unimplemented**: Read as '0'

bit 5-1 **SLPDIV<4:0>**: Watchdog Timer Postscaler Value in Sleep Mode bits

In Sleep mode, these bits are set to the values of the WDTPS <4:0> Configuration bits in the DEVCFG1 register.

bit 0 **WDTWINEN**: Watchdog Timer Window Enable bit

1 = Enable windowed Watchdog Timer
0 = Disable windowed Watchdog Timer

Note 1: This bit only has control when FWDTEN (DEVCFG1<23>) = 0.

NOTES:

PIC32MK MCA Family

16.0 INPUT CAPTURE

Note: This data sheet summarizes the features of the PIC32MK MCA Family of devices. It is not intended to be a comprehensive reference source. To complement the information in this data sheet, refer to **Section 15. “Input Capture”** (DS60001122), which is available from the *Documentation > Reference Manual* section of the Microchip PIC32 web site (www.microchip.com/pic32).

The Input Capture module is useful in applications requiring frequency (period) and pulse measurement.

The Input Capture module captures the 16-bit or 32-bit value of the selected Time Base registers when an event occurs at the ICx pin.

Capture events are caused by the following factors:

- Capture timer value on every edge (rising and falling), specified edge first
- Prescaler capture event modes:
 - Capture every falling edge of input at ICx pin
 - Capture every rising edge of input at ICx pin

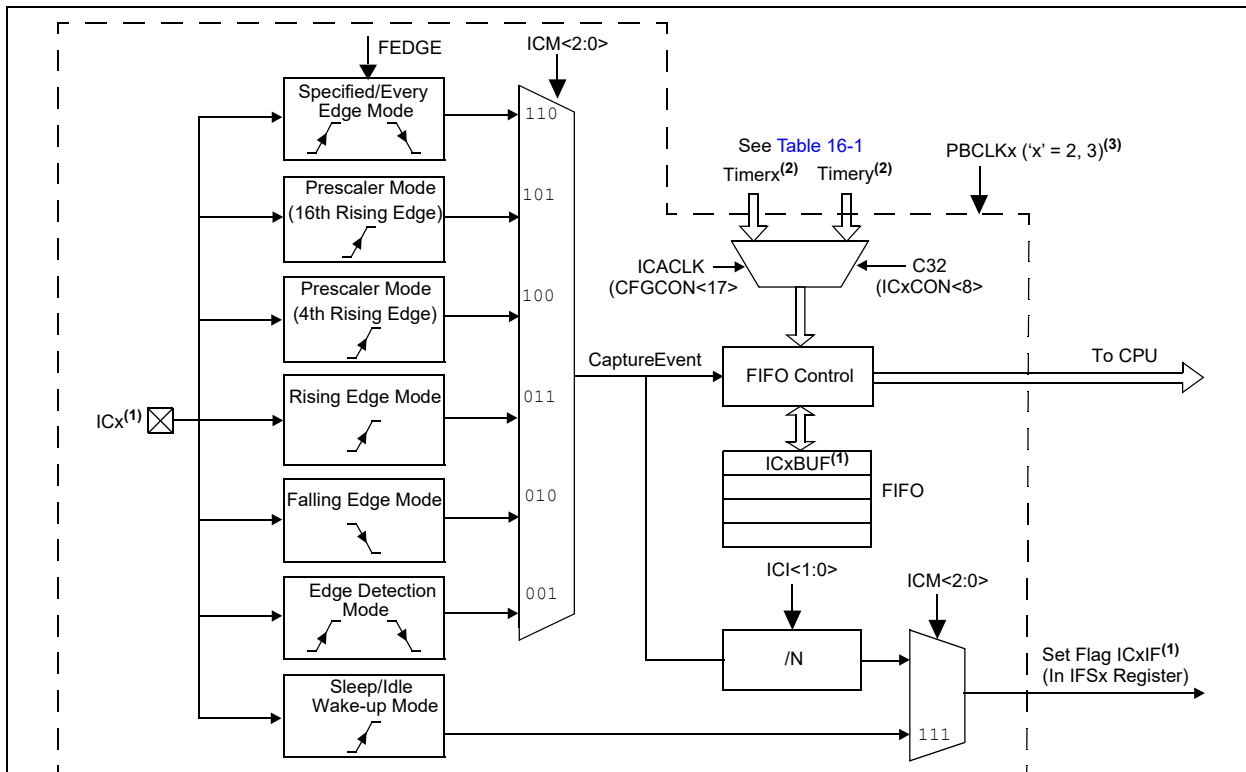
- Capture every 4th rising edge of input at ICx pin
- Capture every 16th rising edge of input at ICx pin
- Capture every rising and falling edge of input at ICx pin
- Capture timer values based on internal or external clocks

Each input capture channel can select between either seven 16-bit time bases or three 32-bit time base. The selected timer can use either an internal or external clock.

Other operational features include:

- Device wake-up from capture pin during Sleep and Idle modes
- Interrupt on input capture event
- 4-word FIFO buffer for capture values; Interrupt optionally generated after 1, 2, 3, or 4 buffer locations are filled
- Input capture can also be used to provide additional sources of external interrupts
- sources of external interrupts

FIGURE 16-1: INPUT CAPTURE BLOCK DIAGRAM



- Note**
- 1: An 'x' in a signal, register or bit name denotes the number of the capture channel.
 - 2: See Table 16-1 for Timerx and Timery selections.
 - 3: PBCLK2 = Input Capture 1 through Input Capture 9..

PIC32MK MCA Family

The timer source for each Input Capture module depends on the setting of the ICACLK bit in the CFGCON register and the C32 bit in the ICxCON register. The available configurations are shown in [Table 16-1](#).

TABLE 16-1: TIMER SOURCE CONFIGURATIONS

ICx	ICACLK (CFGCON<17>)	C32 ICxCON<8>	ICTMR ICxCON<7>	Timerx	Timery	ICxBUF Contents
IC1-IC3	0	0	0	—	TMR3<15:0>	TMR3<15:0>
			1	TMR2<15:0>	—	TMR2<15:0>
	0	1	x	TMR2<31:0>	TMR2<31:0>	TMR2<31:0>
	1	0	0	—	TMR5<15:0>	TMR5<15:0>
			1	TMR4<15:0>	—	TMR4<15:0>
1	1	x	TMR4<31:0>	TMR4<31:0>	TMR4<31:0>	
IC4	0	0	0	—	TMR3<15:0>	TMR3<15:0>
			1	TMR2<15:0>	—	TMR2<15:0>
	0	1	x	TMR2<31:0>	TMR2<31:0>	TMR2<31:0>
	1	0	0	—	TMR3<15:0>	TMR3<15:0>
			1	TMR2<15:0>	—	TMR2<15:0>
1	1	x	TMR2<31:0>	TMR2<31:0>	TMR2<31:0>	

16.1 Input Capture Control Registers

TABLE 16-2: INPUT CAPTURE 1 THROUGH INPUT CAPTURE 9 REGISTER MAP

Virtual Address BF82_#	Register Name	Bit Range	Bits																All Resets
			31/15	30/14	29/13	28/12	27/11	26/10	25/9	24/8	23/7	22/6	21/5	20/4	19/3	18/2	17/1	16/0	
2000	IC1CON ⁽¹⁾	31:16	—	—	—	—	—	—	—	—	—	—	—	—	—	—	—	—	0000
		15:0	ON	—	SIDL	—	—	—	FEDGE	C32	ICTMR	ICI<1:0>	ICOV	ICBNE	ICM<2:0>	—	—	—	0000
2010	IC1BUF	31:16	IC1BUF<31:0>																xxxx
		15:0																	xxxx
2200	IC2CON ⁽¹⁾	31:16	—	—	—	—	—	—	—	—	—	—	—	—	—	—	—	—	0000
		15:0	ON	—	SIDL	—	—	—	FEDGE	C32	ICTMR	ICI<1:0>	ICOV	ICBNE	ICM<2:0>	—	—	—	0000
2210	IC2BUF	31:16	IC2BUF<31:0>																xxxx
		15:0																	xxxx
2400	IC3CON ⁽¹⁾	31:16	—	—	—	—	—	—	—	—	—	—	—	—	—	—	—	—	0000
		15:0	ON	—	SIDL	—	—	—	FEDGE	C32	ICTMR	ICI<1:0>	ICOV	ICBNE	ICM<2:0>	—	—	—	0000
2410	IC3BUF	31:16	IC3BUF<31:0>																xxxx
		15:0																	xxxx
2600	IC4CON ⁽¹⁾	31:16	—	—	—	—	—	—	—	—	—	—	—	—	—	—	—	—	0000
		15:0	ON	—	SIDL	—	—	—	FEDGE	C32	ICTMR	ICI<1:0>	ICOV	ICBNE	ICM<2:0>	—	—	—	0000
2610	IC4BUF	31:16	IC4BUF<31:0>																xxxx
		15:0																	xxxx

Legend: x = unknown value on Reset; — = unimplemented, read as '0'. Reset values are shown in hexadecimal.

Note 1: This register has corresponding CLR, SET, and INV registers at its virtual address, plus an offset of 0x4, 0x8, and 0xC, respectively. See [11.2 “CLR, SET, and INV Registers”](#) for more information.

PIC32MK MCA Family

REGISTER 16-1: ICxCON: INPUT CAPTURE 'x' CONTROL REGISTER ('x' = 1-4) (CONTINUED)

bit 2-0 **ICM<2:0>**: Input Capture Mode Select bits

- 111 = Interrupt-Only mode (only supported while in Sleep mode or Idle mode)
- 110 = Simple Capture Event mode – every edge, specified edge first and every edge thereafter
- 101 = Prescaled Capture Event mode – every sixteenth rising edge
- 100 = Prescaled Capture Event mode – every fourth rising edge
- 011 = Simple Capture Event mode – every rising edge
- 010 = Simple Capture Event mode – every falling edge
- 001 = Edge Detect mode – every edge (rising and falling)
- 000 = Input Capture module is disabled

Note 1: Refer to [Table 16-1](#) for Timerx and Timery selections.

17.0 OUTPUT COMPARE

Note: This data sheet summarizes the features of the PIC32MK MCA Family of devices. It is not intended to be a comprehensive reference source. To complement the information in this data sheet, refer to **Section 16. “Output Compare”** (DS60001111), which is available from the *Documentation > Reference Manual* section of the Microchip PIC32 web site (www.microchip.com/pic32).

The Output Compare module is used to generate a single pulse or a train of pulses in response to selected time base events.

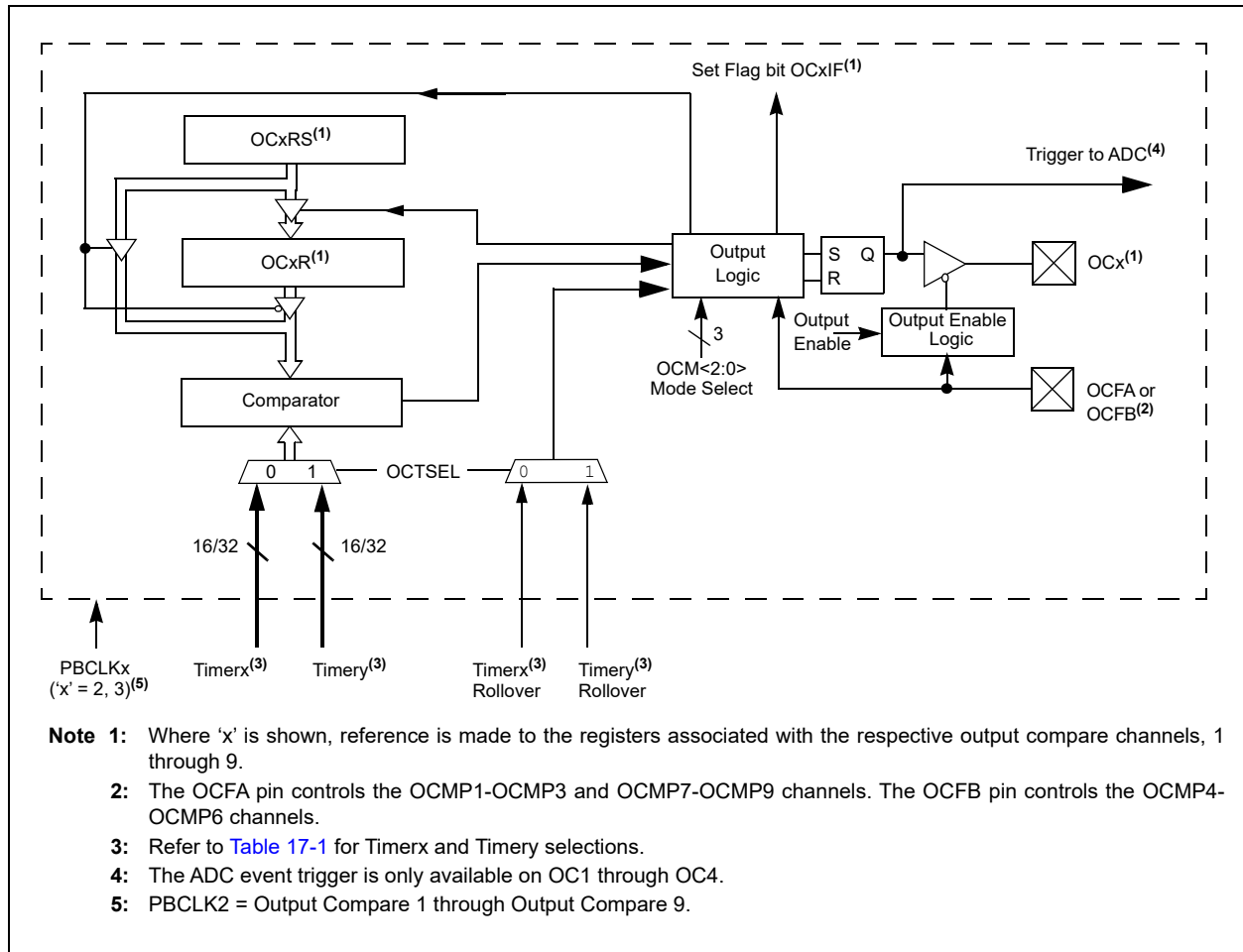
For all modes of operation, the Output Compare module compares the values stored in the OCxR and/or the OCxRS registers to the value in the selected timer.

When a match occurs, the Output Compare module generates an event based on the selected mode of operation.

The following are some of the key features of the Output Compare:

- Multiple Output Compare modules in a device
- Programmable interrupt generation on compare event
- Single and Dual Compare modes
- Single and continuous output pulse generation
- Pulse-Width Modulation (PWM) mode
- Hardware-based PWM Fault detection and automatic output disable
- Programmable selection of 16-bit or 32-bit time bases
- Can operate from either of two available 16-bit time bases or a single 32-bit time base
- ADC event trigger for OC1 through OC4

FIGURE 17-1: OUTPUT COMPARE MODULE BLOCK DIAGRAM



PIC32MK MCA Family

The timer source for each Output Compare module depends on the setting of the OCACLK bit in the CFGCON register, the OC32 bit in the OCxCON register, and the OCTSEL bit in the OCxCON register. The available configurations are shown in [Table 17-1](#).

OC Module	Fault Input
OCMP1-3	OCFA
OCMP4	OCFB

TABLE 17-1: IMER SOURCE CONFIGURATIONS

OCx	OCACLK CFGCON<16>	OC32 (OCxCON<5>	OCTSEL OCxCON<3>	Timerx	Timery	Output Compare Timer Source
OC1-OC3	0	0	0	TMR2<15:0>	—	TMR2<15:0>
			1	—	TMR3<15:0>	TMR3<15:0>
	0	1	0	TMR2<31:0>	—	TMR2<31:0>
			1	—	TMR2<31:0>	TMR2<31:0>
	1	0	0	TMR4<15:0>	—	TMR4<15:0>
			1	—	TMR5<15:0>	TMR5<15:0>
	1	1	0	TMR4<31:0>	—	TMR4<31:0>
			1	—	TMR4<31:0>	TMR4<31:0>
OC4	0	0	0	TMR2<15:0>	—	TMR2<15:0>
			1	—	TMR3<15:0>	TMR3<15:0>
	0	1	0	TMR2<31:0>	—	TMR2<31:0>
			1	—	TMR2<31:0>	TMR2<31:0>
	1	0	0	TMR2<15:0>	—	TMR2<15:0>
			1	—	TMR3<15:0>	TMR3<15:0>
	1	1	0	TMR2<31:0>	—	TMR2<31:0>
			1	—	TMR2<31:0>	TMR2<31:0>

17.1 Output Compare Control Registers

REGISTER 17-1: OCxCON: OUTPUT COMPARE 'x' CONTROL REGISTER ('x' = 1-4)

Bit Range	Bit 31/23/15/7	Bit 30/22/14/6	Bit 29/21/13/5	Bit 28/20/12/4	Bit 27/19/11/3	Bit 26/18/10/2	Bit 25/17/9/1	Bit 24/16/8/0
31:24	U-0	U-0	U-0	U-0	U-0	U-0	U-0	U-0
	—	—	—	—	—	—	—	—
23:16	U-0	U-0	U-0	U-0	U-0	U-0	U-0	U-0
	—	—	—	—	—	—	—	—
15:8	R/W-0	U-0	R/W-0	U-0	U-0	U-0	U-0	U-0
	ON	—	SIDL	—	—	—	—	—
7:0	U-0	U-0	R/W-0	R-0, HS, HC	R/W-0	R/W-0	R/W-0	R/W-0
	—	—	OC32	OCFLT ⁽¹⁾	OCTSEL ⁽²⁾	OCM<2:0>		

Legend:	HS = Set in hardware	HC = Cleared by hardware
R = Readable bit	W = Writable bit	U = Unimplemented bit, read as '0'
-n = Value at POR	'1' = Bit is set	'0' = Bit is cleared
		x = Bit is unknown

bit 31-16 **Unimplemented:** Read as '0'

bit 15 **ON:** Output Compare Peripheral On bit
 1 = Output Compare peripheral is enabled
 0 = Output Compare peripheral is disabled

bit 14 **Unimplemented:** Read as '0'

bit 13 **SIDL:** Stop in Idle Mode bit
 1 = Discontinue operation when CPU enters Idle mode
 0 = Continue operation in Idle mode

bit 12-6 **Unimplemented:** Read as '0'

bit 5 **OC32:** 32-bit Compare Mode bit
 1 = OCxR<31:0> and/or OCxRS<31:0> are used for comparisons to the 32-bit timer source
 0 = OCxR<15:0> and OCxRS<15:0> are used for comparisons to the 16-bit timer source

bit 4 **OCFLT:** PWM Fault Condition Status bit⁽¹⁾
 1 = PWM Fault condition has occurred (cleared in HW only)
 0 = No PWM Fault condition has occurred

bit 3 **OCTSEL:** Output Compare Timer Select bit⁽²⁾
 1 = Timery is the clock source for this Output Compare module
 0 = Timerx is the clock source for this Output Compare module

bit 2-0 **OCM<2:0>:** Output Compare Mode Select bits
 111 = PWM mode on OCx; Fault pin enabled
 110 = PWM mode on OCx; Fault pin disabled
 101 = Initialize OCx pin low; generate continuous output pulses on OCx pin
 100 = Initialize OCx pin low; generate single output pulse on OCx pin
 011 = Compare event toggles OCx pin
 010 = Initialize OCx pin high; compare event forces OCx pin low
 001 = Initialize OCx pin low; compare event forces OCx pin high
 000 = Output compare peripheral is disabled but continues to draw current

Note 1: This bit is only used when OCM<2:0> = '111'. It is read as '0' in all other modes.

Note 2: Refer to [Table 17-1](#) for Timerx and Timery selections.

18.0 SERIAL PERIPHERAL INTERFACE (SPI) AND INTER-IC SOUND (I²S)

Note: This data sheet summarizes the features of the PIC32MK MCA Family of devices. It is not intended to be a comprehensive reference source. To complement the information in this data sheet, refer to **Section 23. “Serial Peripheral Interface (SPI)”** (DS60001106), which is available from the *Documentation > Reference Manual* section of the Microchip PIC32 web site (www.microchip.com/pic32).

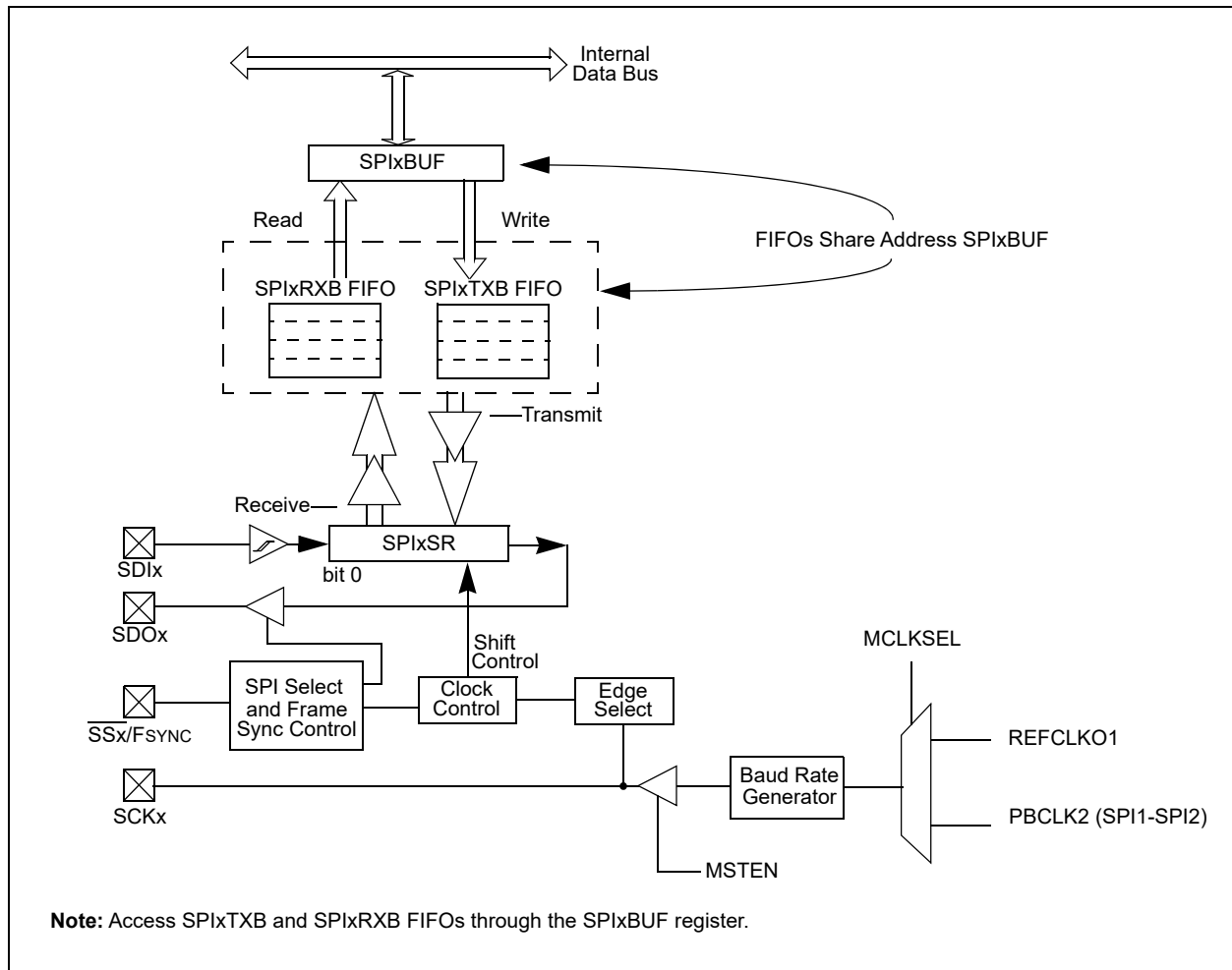
The SPI/I²S module is a synchronous serial interface that is useful for communicating with external peripherals and other microcontroller devices, as well as digital audio devices. These peripheral devices may be Serial EEPROMs, Shift registers, display drivers, analog-to-digital converters (ADC), and so on.

The SPI/I²S module is compatible with Motorola® SPI and SIOP interfaces.

The following are some of the key features of the SPI module:

- Host and Client modes support
- Four different clock formats
- Enhanced Framed SPI protocol support
- User-configurable 32/24/16/8-bit data width
- Separate SPI FIFO buffers for receive and transmit
 - FIFO buffers act as 4/8/16-level deep FIFOs based on 32/24/16/8-bit data width
- Programmable interrupt event on every 8-bit, 16-bit and 32-bit data transfer
- Operation during Sleep and Idle modes
- Audio codec support:
 - I²S protocol
 - Left-justified
 - Right-justified
 - PCM

FIGURE 18-1: SPI/I²S MODULE BLOCK DIAGRAM



18.1 SPI Control Registers

TABLE 18-1: SPI1 AND SPI2 REGISTER MAP

Virtual Address (BF82_#)	Register Name(1)	Bit Range	Bits															All Resets	
			31/15	30/14	29/13	28/12	27/11	26/10	25/9	24/8	23/7	22/6	21/5	20/4	19/3	18/2	17/1		16/0
7000	SPI1CON	31:16	FRMEN	FRMSYNC	FRMPOL	MSEN	FRMSYPW	FRMCNT<2:0>			MCLKSEL	—	—	—	—	—	SPIFE	ENHBUF	0000
		15:0	ON	—	SIDL	DISSDO	MODE32	MODE16	SMP	CKE	SSEN	CKP	MSTEN	DISSDI	STXISEL<1:0>		SRXISEL<1:0>		0000
7010	SPI1STAT	31:16	—	—	—	RXBUFELM<4:0>				—	—	—	TXBUFELM<4:0>				0000		
		15:0	—	—	—	FRMERR	SPIBUSY	—	—	SPITUR	SRMT	SPIROV	SPIRBE	—	SPITBE	—	SPITBF	SPIRBF	0028
7020	SPI1BUF	31:16	DATA<31:0>															0000	
		15:0																0000	
7030	SPI1BRG	31:16	—	—	—	—	—	—	—	—	—	—	—	—	—	—	—	—	0000
		15:0	BRG<12:0>															0000	
7040	SPI1CON2	31:16	—	—	—	—	—	—	—	—	—	—	—	—	—	—	—	—	0000
		15:0	SPI SGNEXT	—	—	FRM ERREN	SPI ROVEN	SPI TUREN	IGNROV	IGNTUR	AUDEN	—	—	—	AUD MONO	—	AUDMOD<1:0>		0C00
7200	SPI2CON	31:16	FRMEN	FRMSYNC	FRMPOL	MSEN	FRMSYPW	FRMCNT<2:0>			MCLKSEL	—	—	—	—	—	SPIFE	ENHBUF	0000
		15:0	ON	—	SIDL	DISSDO	MODE32	MODE16	SMP	CKE	SSEN	CKP	MSTEN	DISSDI	STXISEL<1:0>		SRXISEL<1:0>		0000
7210	SPI2STAT	31:16	—	—	—	RXBUFELM<4:0>				—	—	—	TXBUFELM<4:0>				0000		
		15:0	—	—	—	FRMERR	SPIBUSY	—	—	SPITUR	SRMT	SPIROV	SPIRBE	—	SPITBE	—	SPITBF	SPIRBF	0028
7220	SPI2BUF	31:16	DATA<31:0>															0000	
		15:0																0000	
7230	SPI2BRG	31:16	—	—	—	—	—	—	—	—	—	—	—	—	—	—	—	—	0000
		15:0	BRG<12:0>															0000	
7240	SPI2CON2	31:16	—	—	—	—	—	—	—	—	—	—	—	—	—	—	—	—	0000
		15:0	SPI SGNEXT	—	—	FRM ERREN	SPI ROVEN	SPI TUREN	IGNROV	IGNTUR	AUDEN	—	—	—	AUD MONO	—	AUDMOD<1:0>		0C00

Legend: x = unknown value on Reset; — = unimplemented, read as '0'. Reset values are shown in hexadecimal.

Note 1: All registers in this table except SPIxBUF have corresponding CLR, SET, and INV registers at their virtual addresses, plus offsets of 0x4, 0x8, and 0xC, respectively. See [11.2 “CLR, SET, and INV Registers”](#) for more information.

PIC32MK MCA Family

REGISTER 18-1: SPIxCON: SPI CONTROL REGISTER (X = 1-2)

Bit Range	Bit 31/23/15/7	Bit 30/22/14/6	Bit 29/21/13/5	Bit 28/20/12/4	Bit 27/19/11/3	Bit 26/18/10/2	Bit 25/17/9/1	Bit 24/16/8/0
31:24	R/W-0	R/W-0	R/W-0	R/W-0	R/W-0	R/W-0	R/W-0	R/W-0
	FRMEN	FRMSYNC	FRMPOL	MSEN	FRMSYPW	FRMCNT<2:0>		
23:16	R/W-0	U-0	U-0	U-0	U-0	U-0	R/W-0	R/W-0
	MCLKSEL ⁽¹⁾	—	—	—	—	—	SPIFE	ENHBUF ⁽¹⁾
15:8	R/W-0	U-0	R/W-0	R/W-0	R/W-0	R/W-0	R/W-0	R/W-0
	ON	—	SIDL	DISSDO ⁽⁴⁾	MODE32	MODE16	SMP	CKE ⁽²⁾
7:0	R/W-0	R/W-0	R/W-0	R/W-0	R/W-0	R/W-0	R/W-0	R/W-0
	SSEN	CKP ⁽³⁾	MSTEN	DISSDI ⁽⁴⁾	STXISEL<1:0>		SRXISEL<1:0>	

Legend:

R = Readable bit	W = Writable bit	U = Unimplemented bit, read as '0'
-n = Value at POR	'1' = Bit is set	'0' = Bit is cleared
		x = Bit is unknown

- bit 31 **FRMEN:** Framed SPI Support bit
1 = Framed SPI support is enabled (\overline{SSx} pin used as FSYNC input/output)
0 = Framed SPI support is disabled
- bit 30 **FRMSYNC:** Frame Sync Pulse Direction Control on \overline{SSx} pin bit (Framed SPI mode only)
1 = Frame sync pulse input (Client mode)
0 = Frame sync pulse output (Host mode)
- bit 29 **FRMPOL:** Frame Sync Polarity bit (Framed SPI mode only)
1 = Frame pulse is active-high
0 = Frame pulse is active-low
- bit 28 **MSEN:** Host Mode SPI Select Enable bit
1 = SPI select support enabled. The \overline{SS} pin is automatically driven during transmission in Host mode. Polarity is determined by the FRMPOL bit.
0 = SPI select support is disabled.
- bit 27 **FRMSYPW:** Frame Sync Pulse Width bit
1 = Frame sync pulse is one character wide
0 = Frame sync pulse is one clock wide
- bit 26-24 **FRMCNT<2:0>:** Frame Sync Pulse Counter bits. Controls the number of data characters transmitted per pulse. This bit is only valid in Framed mode.
111 = Reserved
110 = Reserved
101 = Generate a frame sync pulse on every 32 data characters
100 = Generate a frame sync pulse on every 16 data characters
011 = Generate a frame sync pulse on every 8 data characters
010 = Generate a frame sync pulse on every 4 data characters
001 = Generate a frame sync pulse on every 2 data characters
000 = Generate a frame sync pulse on every data character
- bit 23 **MCLKSEL:** Host Clock Enable bit⁽¹⁾
1 = REFCLKO1 is used by the Baud Rate Generator
0 = PBCLK2 is used by the Baud Rate Generator for SPI1 and SPI2
- bit 22-18 **Unimplemented:** Read as '0'

- Note 1:** This bit can only be written when the ON bit = 0. Refer to **35.0 “Electrical Characteristics”** for maximum clock frequency requirements.
- 2:** This bit is not used in the Framed SPI mode. The user should program this bit to '0' for the Framed SPI mode (FRMEN = 1).
- 3:** When AUDEN = 1, the SPI/I²S module functions as if the CKP bit is equal to '1', regardless of the actual value of the CKP bit.
- 4:** This bit present for legacy compatibility and is superseded by PPS functionality on these devices (see **11.3 “Peripheral Pin Select (PPS)”** for more information).

REGISTER 18-1: SPIxCON: SPI CONTROL REGISTER (X = 1-2) (CONTINUED)

- bit 17 **SPIFE:** Frame Sync Pulse Edge Select bit (Framed SPI mode only)
 1 = Frame synchronization pulse coincides with the first bit clock
 0 = Frame synchronization pulse precedes the first bit clock
- bit 16 **ENHBUF:** Enhanced Buffer Enable bit⁽¹⁾
 1 = Enhanced Buffer mode is enabled
 0 = Enhanced Buffer mode is disabled
- bit 15 **ON:** SPI/I²S Module On bit
 1 = SPI/I²S module is enabled
 0 = SPI/I²S module is disabled
- bit 14 **Unimplemented:** Read as '0'
- bit 13 **SIDL:** Stop in Idle Mode bit
 1 = Discontinue operation when CPU enters in Idle mode
 0 = Continue operation in Idle mode
- bit 12 **DISSDO:** Disable SDOx pin bit⁽⁴⁾
 1 = SDOx pin is not used by the module. Pin is controlled by associated PORT register
 0 = SDOx pin is controlled by the module
- bit 11-10 **MODE<32,16>:** 32/16-Bit Communication Select bits
When AUDEN = 1:
 MODE32 MODE16 Communication
 11 24-bit Data, 32-bit FIFO, 32-bit Channel/64-bit Frame
 10 32-bit Data, 32-bit FIFO, 32-bit Channel/64-bit Frame
 01 16-bit Data, 16-bit FIFO, 32-bit Channel/64-bit Frame
 00 16-bit Data, 16-bit FIFO, 16-bit Channel/32-bit Frame
- When AUDEN = 0:
 MODE32 MODE16 Communication
 1x 32-bit
 01 16-bit
 00 8-bit
- bit 9 **SMP:** SPI Data Input Sample Phase bit
Host mode (MSTEN = 1):
 1 = Input data sampled at end of data output time
 0 = Input data sampled at middle of data output time
Client mode (MSTEN = 0):
 SMP value is ignored when SPI is used in Client mode. The module always uses SMP = 0.
- bit 8 **CKE:** SPI Clock Edge Select bit⁽²⁾
 1 = Serial output data changes on transition from active clock state to Idle clock state (see CKP bit)
 0 = Serial output data changes on transition from Idle clock state to active clock state (see CKP bit)
- bit 7 **SSEN:** SPI Select Enable (Client mode) bit
 1 = \overline{SSx} pin used for Client mode
 0 = \overline{SSx} pin not used for Client mode, pin controlled by port function.
- bit 6 **CKP:** Clock Polarity Select bit⁽³⁾
 1 = Idle state for clock is a high level; active state is a low level
 0 = Idle state for clock is a low level; active state is a high level

- Note 1:** This bit can only be written when the ON bit = 0. Refer to [35.0 “Electrical Characteristics”](#) for maximum clock frequency requirements.
- 2:** This bit is not used in the Framed SPI mode. The user should program this bit to '0' for the Framed SPI mode (FRMEN = 1).
- 3:** When AUDEN = 1, the SPI/I²S module functions as if the CKP bit is equal to '1', regardless of the actual value of the CKP bit.
- 4:** This bit present for legacy compatibility and is superseded by PPS functionality on these devices (see [11.3 “Peripheral Pin Select \(PPS\)”](#) for more information).

REGISTER 18-1: SPIxCON: SPI CONTROL REGISTER (X = 1-2) (CONTINUED)

- bit 5 **MSTEN**: Host Mode Enable bit
 1 = Host mode
 0 = Client mode
- bit 4 **DISSDI**: Disable SDI bit⁽⁴⁾
 1 = SDI pin is not used by the SPI module (pin is controlled by PORT function)
 0 = SDI pin is controlled by the SPI module
- bit 3-2 **STXISEL<1:0>**: SPI Transmit Buffer Empty Interrupt Mode bits
 11 = Interrupt is generated when the buffer is not full (has one or more empty elements)
 10 = Interrupt is generated when the buffer is empty by one-half or more
 01 = Interrupt is generated when the buffer is completely empty
 00 = Interrupt is generated when the last transfer is shifted out of SPISR and transmit operations are complete
- bit 1-0 **SRXISEL<1:0>**: SPI Receive Buffer Full Interrupt Mode bits
 11 = Interrupt is generated when the buffer is full
 10 = Interrupt is generated when the buffer is full by one-half or more
 01 = Interrupt is generated when the buffer is not empty
 00 = Interrupt is generated when the last word in the receive buffer is read (i.e., buffer is empty)

- Note 1:** This bit can only be written when the ON bit = 0. Refer to [35.0 “Electrical Characteristics”](#) for maximum clock frequency requirements.
- 2:** This bit is not used in the Framed SPI mode. The user should program this bit to ‘0’ for the Framed SPI mode (FRMEN = 1).
- 3:** When AUDEN = 1, the SPI/I²S module functions as if the CKP bit is equal to ‘1’, regardless of the actual value of the CKP bit.
- 4:** This bit present for legacy compatibility and is superseded by PPS functionality on these devices (see [11.3 “Peripheral Pin Select \(PPS\)”](#) for more information).

PIC32MK MCA Family

REGISTER 18-2: SPIxCON2: SPI CONTROL REGISTER 2 (X=1-2)

Bit Range	Bit 31/23/15/7	Bit 30/22/14/6	Bit 29/21/13/5	Bit 28/20/12/4	Bit 27/19/11/3	Bit 26/18/10/2	Bit 25/17/9/1	Bit 24/16/8/0
31:24	U-0 —	U-0 —	U-0 —	U-0 —	U-0 —	U-0 —	U-0 —	U-0 —
23:16	U-0 —	U-0 —	U-0 —	U-0 —	U-0 —	U-0 —	U-0 —	U-0 —
15:8	R/W-0 SPISGNEXT	U-0 —	U-0 —	R/W-0 FRMERREN	R/W-1 SPIROVEN	R/W-1 SPITUREN	R/W-0 IGNROV	R/W-0 IGNTUR
7:0	R/W-0 AUDEN ⁽¹⁾	U-0 —	U-0 —	U-0 —	R/W-0 AUDMONO ^(1,2)	U-0 —	R/W-0 AUDMOD<1:0> ^(1,2)	R/W-0 —

Legend:

R = Readable bit	W = Writable bit	U = Unimplemented bit, read as '0'
-n = Value at POR	'1' = Bit is set	'0' = Bit is cleared
		x = Bit is unknown

- bit 31-16 **Unimplemented:** Read as '0'
- bit 15 **SPISGNEXT:** Sign Extend Read Data from the RX FIFO bit
 - 1 = Data from RX FIFO is sign extended
 - 0 = Data from RX FIFO is not sign extended
- bit 14-13 **Unimplemented:** Read as '0'
- bit 12 **FRMERREN:** Enable Interrupt Events via FRMERR bit
 - 1 = Frame Error overflow generates error events
 - 0 = Frame Error does not generate error events
- bit 11 **SPIROVEN:** Enable Interrupt Events via SPIROV bit
 - 1 = Receive overflow generates error events
 - 0 = Receive overflow does not generate error events
- bit 10 **SPITUREN:** Enable Interrupt Events via SPITUR bit
 - 1 = Transmit Underrun Generates Error Events
 - 0 = Transmit Underrun Does Not Generates Error Events
- bit 9 **IGNROV:** Ignore Receive Overflow bit (for Audio Data Transmissions)
 - 1 = A ROV is not a critical error; during ROV data in the FIFO is not overwritten by receive data
 - 0 = A ROV is a critical error which stop SPI operation
- bit 8 **IGNTUR:** Ignore Transmit Underrun bit (for Audio Data Transmissions)
 - 1 = A TUR is not a critical error and zeros are transmitted until the SPIxTXB is not empty
 - 0 = A TUR is a critical error which stop SPI operation
- bit 7 **AUDEN:** Enable Audio CODEC Support bit⁽¹⁾
 - 1 = Audio protocol is enabled
 - 0 = Audio protocol is disabled
- bit 6-5 **Unimplemented:** Read as '0'
- bit 3 **AUDMONO:** Transmit Audio Data Format bit^(1,2)
 - 1 = Audio data is mono (Each data word is transmitted on both left and right channels)
 - 0 = Audio data is stereo
- bit 2 **Unimplemented:** Read as '0'
- bit 1-0 **AUDMOD<1:0>:** Audio Protocol Mode bit^(1,2)
 - 11 = PCM/DSP mode
 - 10 = Right Justified mode
 - 01 = Left Justified mode
 - 00 = I²S mode

Note 1: This bit can only be written when the ON bit = 0.

2: This bit is only valid for AUDEN = 1.

PIC32MK MCA Family

REGISTER 18-3: SPIxSTAT: SPI STATUS REGISTER (X=1-2)

Bit Range	Bit 31/23/15/7	Bit 30/22/14/6	Bit 29/21/13/5	Bit 28/20/12/4	Bit 27/19/11/3	Bit 26/18/10/2	Bit 25/17/9/1	Bit 24/16/8/0
31:24	U-0	U-0	U-0	R-0, HS, HC	R-0, HS, HC	R-0, HS, HC	R-0, HS, HC	R-0, HS, HC
	—	—	—	RXBUFELM<4:0>				
23:16	U-0	U-0	U-0	R-0, HS, HC	R-0, HS, HC	R-0, HS, HC	R-0, HS, HC	R-0, HS, HC
	—	—	—	TXBUFELM<4:0>				
15:8	U-0	U-0	U-0	R/C-0, HS	R-0, HS, HC	U-0	U-0	R-0
	—	—	—	FRMERR	SPIBUSY	—	—	SPITUR
7:0	R-0, HS, HC	R/C-0, HS	R-1, HS, HC	U-0	R-1, HS, HC	U-0	R-0, HS, HC	R-0, HS, HC
	SRMT	SPIROV	SPIRBE	—	SPITBE	—	SPITBF	SPIRBF

Legend:	HC = Cleared in hardware	HS = Set in hardware	C = Clearable bit
R = Readable bit	W = Writable bit	U = Unimplemented bit, read as '0'	
-n = Value at POR	'1' = Bit is set	'0' = Bit is cleared	x = Bit is unknown

bit 31-29 **Unimplemented:** Read as '0'

bit 28-24 **RXBUFELM<4:0>**: Receive Buffer Element Count bits (valid only when ENHBUF = 1)

bit 23-21 **Unimplemented:** Read as '0'

bit 20-16 **TXBUFELM<4:0>**: Transmit Buffer Element Count bits (valid only when ENHBUF = 1)

bit 15-13 **Unimplemented:** Read as '0'

bit 12 **FRMERR**: SPI Frame Error status bit

1 = Frame error is detected

0 = No Frame error is detected

This bit is only valid when FRMEN = 1.

bit 11 **SPIBUSY**: SPI Activity Status bit

1 = SPI peripheral is currently busy with some transactions

0 = SPI peripheral is currently idle

bit 10-9 **Unimplemented:** Read as '0'

bit 8 **SPITUR**: Transmit Under Run bit

1 = Transmit buffer has encountered an underrun condition

0 = Transmit buffer has no underrun condition

This bit is only valid in Framed Sync mode; the underrun condition must be cleared by disabling/re-enabling the module.

bit 7 **SRMT**: Shift Register Empty bit (valid only when ENHBUF = 1)

1 = When SPI module shift register is empty

0 = When SPI module shift register is not empty

bit 6 **SPIROV**: Receive Overflow Flag bit

1 = A new data is completely received and discarded. The user software has not read the previous data in the SPIxBUF register.

0 = No overflow has occurred

This bit is set in hardware; can only be cleared (= 0) in software.

bit 5 **SPIRBE**: RX FIFO Empty bit (valid only when ENHBUF = 1)

1 = RX FIFO is empty (CRPTR = SWPTR)

0 = RX FIFO is not empty (CRPTR ≠ SWPTR)

bit 4 **Unimplemented:** Read as '0'

REGISTER 18-3: SPIxSTAT: SPI STATUS REGISTER (X=1-2) (CONTINUED)

- bit 3 **SPITBE:** SPI Transmit Buffer Empty Status bit
 1 = Transmit buffer, SPIxTXB is empty
 0 = Transmit buffer, SPIxTXB is not empty
 Automatically set in hardware when SPI transfers data from SPIxTXB to SPIxSR.
 Automatically cleared in hardware when SPIxBUF is written to, loading SPIxTXB.
- bit 2 **Unimplemented:** Read as '0'
- bit 1 **SPITBF:** SPI Transmit Buffer Full Status bit
 1 = Transmit not yet started, SPITXB is full
 0 = Transmit buffer is not full
 Standard Buffer Mode:
 Automatically set in hardware when the core writes to the SPIBUF location, loading SPITXB.
 Automatically cleared in hardware when the SPI module transfers data from SPITXB to SPISR.
 Enhanced Buffer Mode:
 Set when CWPTR + 1 = SRPTR; cleared otherwise
- bit 0 **SPIRBF:** SPI Receive Buffer Full Status bit
 1 = Receive buffer, SPIxRXB is full
 0 = Receive buffer, SPIxRXB is not full
 Standard Buffer Mode:
 Automatically set in hardware when the SPI module transfers data from SPIxSR to SPIxRXB.
 Automatically cleared in hardware when SPIxBUF is read from, reading SPIxRXB.
 Enhanced Buffer Mode:
 Set when SWPTR + 1 = CRPTR; cleared otherwise

PIC32MK MCA Family

REGISTER 18-4: SPIxBUF: SPIx BUFFER REGISTER (x = 1-2)

Bit Range	Bit 31/23/15/7	Bit 30/22/14/6	Bit 29/21/13/5	Bit 28/20/12/4	Bit 27/19/11/3	Bit 26/18/10/2	Bit 25/17/9/1	Bit 24/16/8/0
31:24	R/W-0	R/W-0	R/W-0	R/W-0	R/W-0	R/W-0	R/W-0	R/W-0
	DATA<31:24>							
23:16	R/W-0	R/W-0	R/W-0	R/W-0	R/W-0	R/W-0	R/W-0	R/W-0
	DATA<23:16>							
15:8	R/W-0	R/W-0	R/W-0	R/W-0	R/W-0	R/W-0	R/W-0	R/W-0
	DATA<15:8>							
7:0	R/W-0	R/W-0	R/W-0	R/W-0	R/W-0	R/W-0	R/W-0	R/W-0
	DATA<7:0>							

Legend:

R = Readable bit
-n = Value at POR

W = Writable bit
'1' = Bit is set

U = Unimplemented bit, read as '0'
'0' = Bit is cleared
x = Bit is unknown

bit 31-0 **DATA<31:0>** FIFO Data bits

When MODE32 or MODE16 selects 32-bit data, the SPI uses DATA<31:0>.

When MODE32 or MODE16 selects 24-bit data, the SPI only uses DATA<24:0>.

When MODE32 or MODE16 selects 16-bit data, the SPI only uses DATA<15:0>.

When MODE32 or MODE16 selects 8-bit data, the SPI only uses DATA<7:0>.

REGISTER 18-5: SPIxBRG: SPIx BAUD RATE GENERATOR REGISTER (x= 1-2)

Bit Range	Bit 31/23/15/7	Bit 30/22/14/6	Bit 29/21/13/5	Bit 28/20/12/4	Bit 27/19/11/3	Bit 26/18/10/2	Bit 25/17/9/1	Bit 24/16/8/0
31:24	U-0	U-0	U-0	U-0	U-0	U-0	U-0	U-0
	—	—	—	—	—	—	—	—
23:16	U-0	U-0	U-0	U-0	U-0	U-0	U-0	U-0
	—	—	—	—	—	—	—	—
15:8	U-0	U-0	U-0	R/W-0	R/W-0	R/W-0	R/W-0	R/W-0
	—	—	—	BRG<12:8>				
7:0	R/W-0	R/W-0	R/W-0	R/W-0	R/W-0	R/W-0	R/W-0	R/W-0
	BRG<7:0>							

Legend:

R = Readable bit
-n = Value at POR

W = Writable bit
'1' = Bit is set

U = Unimplemented bit, read as '0'
'0' = Bit is cleared
x = Bit is unknown

bit 31-13 **Unimplemented:** Read as '0'

bit 12-0 **BRG<12:0>** Baud Rate Generator Divisor bits

Baud Rate = $FPBCLKx / (2 * (SPIxBRG + 1))$, where 'x' = 1, 2. Therefore, the maximum baud rate possible is $FPBCLKx / 2$ (SPIxBRG = 0) and the minimum baud rate possible is $FPBCLKx / 16384$.

Note: Changing the BRG value when the ON bit is equal to '1' causes undefined behavior.

NOTES:

PIC32MK MCA Family

19.0 INTER-INTEGRATED CIRCUIT (I²C)

Note: This data sheet summarizes the features of the PIC32MK MCA Family of devices. It is not intended to be a comprehensive reference source. To complement the information in this data sheet, refer to **Section 24. “Inter-Integrated Circuit (I²C)”** (DS60001116), which is available from the *Documentation > Reference Manual* section of the Microchip PIC32 web site (www.microchip.com/pic32).

The I²C module provides complete hardware support for both Client and Multi-Host modes of the I²C serial communication standard.

Each I²C module has a 2-pin interface:

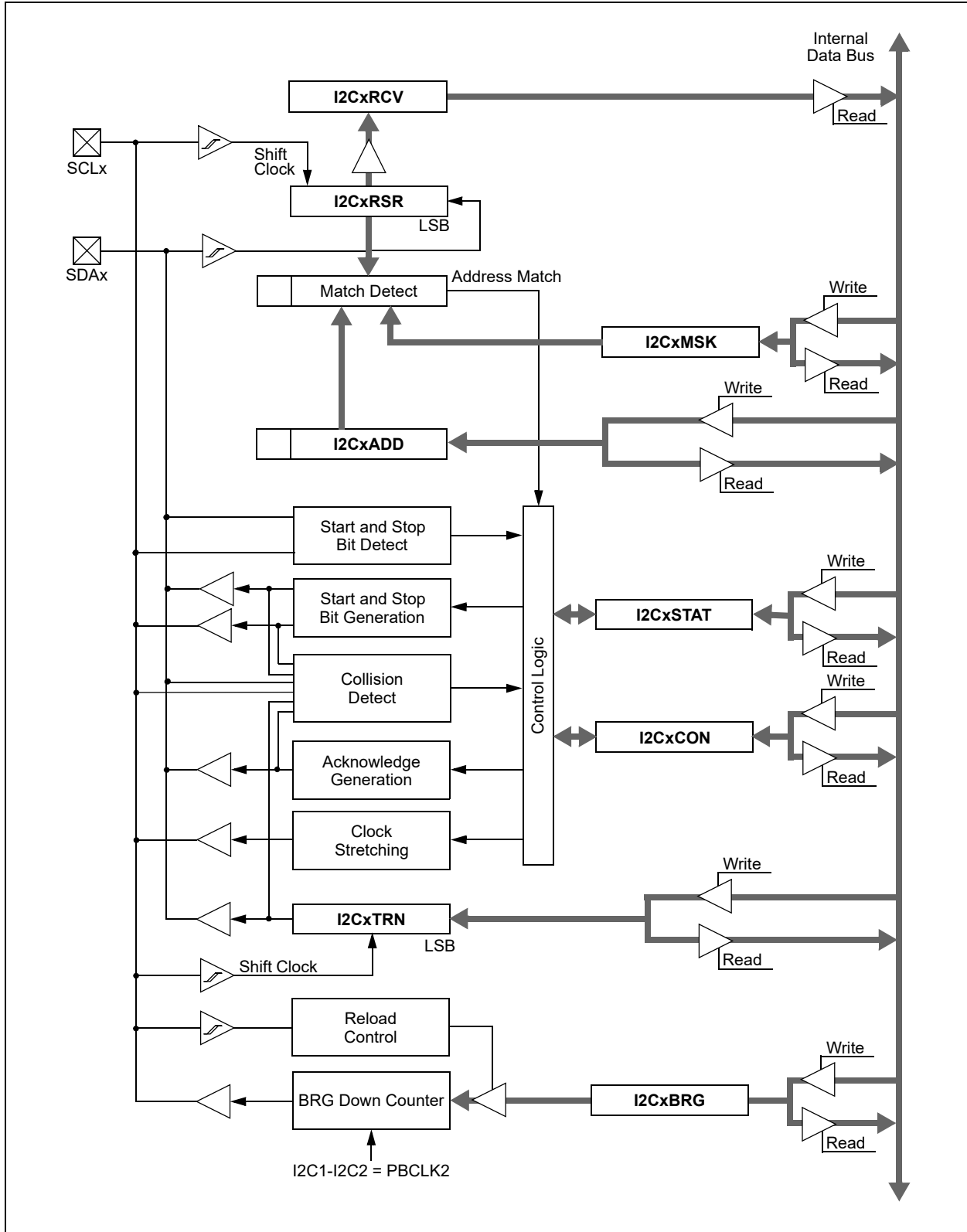
- SCLx pin is clock
- SDAx pin is data

Each I²C module offers the following key features:

- I²C interface supporting both host and client operation
- I²C Client mode supports 7-bit and 10-bit addressing
- I²C Host mode supports 7-bit and 10-bit addressing
- I²C port allows bidirectional transfers between host and clients
- Serial clock synchronization for the I²C port can be used as a handshake mechanism to suspend and resume serial transfer (SCLREL control)
- I²C supports multi-host operation; detects bus collision and arbitrates accordingly
- Provides support for address bit masking
- SMBus support

[Figure 19-1](#) illustrates the I²C module block diagram.

FIGURE 19-1: I²C BLOCK DIAGRAM



19.1 I²C Control Registers

TABLE 19-1: I2C1 AND I2C2 REGISTER MAP

Virtual Address BF82_#	Register Name(1)	Bit Range	Bits																All Resets	
			31/15	30/14	29/13	28/12	27/11	26/10	25/9	24/8	23/7	22/6	21/5	20/4	19/3	18/2	17/1	16/0		
6000	I2C1CON	31:16	—	—	—	—	—	—	—	—	—	—	PCIE	SCIE	BOEN	SDAHT	SBCDE	AHEN	DHEN	0000
		15:0	ON	—	SIDL	SCLREL	STRICT	—	DISSLW	SMEN	GCEN	STREN	ACKDT	ACKEN	RCEN	PEN	RSEN	SEN	1000	
6010	I2C1STAT	31:16	—	—	—	—	—	—	—	—	—	—	—	—	—	—	—	—	—	0000
		15:0	ACKSTAT	TRSTAT	ACKTIM	—	—	BCL	GCSTAT	ADD10	IWCOL	I2COV	D/A	P	S	R/W	RBF	TBF	0000	
6020	I2C1ADD	31:16	—	—	—	—	—	—	—	—	—	—	—	—	—	—	—	—	—	0000
		15:0	—	—	—	—	—	—	—	—	—	—	—	—	—	—	—	—	—	0000
6030	I2C1MSK	31:16	—	—	—	—	—	—	—	—	—	—	—	—	—	—	—	—	—	0000
		15:0	—	—	—	—	—	—	—	—	—	—	—	—	—	—	—	—	—	0000
6040	I2C1BRG	31:16	—	—	—	—	—	—	—	—	—	—	—	—	—	—	—	—	—	0000
		15:0	—	—	—	—	—	—	—	—	—	—	—	—	—	—	—	—	—	0000
6050	I2C1TRN	31:16	—	—	—	—	—	—	—	—	—	—	—	—	—	—	—	—	—	0000
		15:0	—	—	—	—	—	—	—	—	—	—	—	—	—	—	—	—	—	0000
6060	I2C1RCV	31:16	—	—	—	—	—	—	—	—	—	—	—	—	—	—	—	—	—	0000
		15:0	—	—	—	—	—	—	—	—	—	—	—	—	—	—	—	—	—	0000
6200	I2C2CON	31:16	—	—	—	—	—	—	—	—	—	—	PCIE	SCIE	BOEN	SDAHT	SBCDE	AHEN	DHEN	0000
		15:0	ON	—	SIDL	SCLREL	STRICT	—	DISSLW	SMEN	GCEN	STREN	ACKDT	ACKEN	RCEN	PEN	RSEN	SEN	1000	
6210	I2C2STAT	31:16	—	—	—	—	—	—	—	—	—	—	—	—	—	—	—	—	—	0000
		15:0	ACKSTAT	TRSTAT	ACKTIM	—	—	BCL	GCSTAT	ADD10	IWCOL	I2COV	D/A	P	S	R/W	RBF	TBF	0000	
6220	I2C2ADD	31:16	—	—	—	—	—	—	—	—	—	—	—	—	—	—	—	—	—	0000
		15:0	—	—	—	—	—	—	—	—	—	—	—	—	—	—	—	—	—	0000
6230	I2C2MSK	31:16	—	—	—	—	—	—	—	—	—	—	—	—	—	—	—	—	—	0000
		15:0	—	—	—	—	—	—	—	—	—	—	—	—	—	—	—	—	—	0000
6240	I2C2BRG	31:16	—	—	—	—	—	—	—	—	—	—	—	—	—	—	—	—	—	0000
		15:0	—	—	—	—	—	—	—	—	—	—	—	—	—	—	—	—	—	0000
6250	I2C2TRN	31:16	—	—	—	—	—	—	—	—	—	—	—	—	—	—	—	—	—	0000
		15:0	—	—	—	—	—	—	—	—	—	—	—	—	—	—	—	—	—	0000
6260	I2C2RCV	31:16	—	—	—	—	—	—	—	—	—	—	—	—	—	—	—	—	—	0000
		15:0	—	—	—	—	—	—	—	—	—	—	—	—	—	—	—	—	—	0000

Legend: x = unknown value on Reset; — = unimplemented, read as '0'. Reset values are shown in hexadecimal.

Note 1: All registers in this table except I2CxRCV have corresponding CLR, SET, and INV registers at their virtual addresses, plus offsets of 0x4, 0x8, and 0xC, respectively. See [11.2 "CLR, SET, and INV Registers"](#) for more information.

PIC32MK MCA Family

REGISTER 19-1: I2CxCON: I²C CONTROL REGISTER (X=1-2)

Bit Range	Bit 31/23/15/7	Bit 30/22/14/6	Bit 29/21/13/5	Bit 28/20/12/4	Bit 27/19/11/3	Bit 26/18/10/2	Bit 25/17/9/1	Bit 24/16/8/0
31:24	U-0	U-0	U-0	U-0	U-0	U-0	U-0	U-0
	—	—	—	—	—	—	—	—
23:16	U-0	R/W-0	R/W-0	R/W-0	R/W-0	R/W-0	R/W-0	R/W-0
	—	PCIE	SCIE	BOEN	SDAHT	SBCDE	AHEN	DHEN
15:8	R/W-0	U-0	R/W-0	R/W-1, HC	R/W-0	r-0	R/W-0	R/W-0
	ON	—	SIDL	SCKREL	STRICT	—	DISSLW	SMEN
7:0	R/W-0	R/W-0	R/W-0	R/W-0, HC	R/W-0, HC	R/W-0, HC	R/W-0, HC	R/W-0, HC
	GCEN	STREN	ACKDT	ACKEN	RCEN	PEN	RSEN	SEN

Legend:	HC = Cleared in Hardware	r = Reserved bit
R = Readable bit	W = Writable bit	U = Unimplemented bit, read as '0'
-n = Value at POR	'1' = Bit is set	'0' = Bit is cleared
		x = Bit is unknown

bit 31-23 **Unimplemented:** Read as '0'

bit 22 **PCIE:** Stop Condition Interrupt Enable bit (I²C Client mode only)

1 = Enable interrupt on detection of Stop condition

0 = Stop detection interrupts are disabled

bit 21 **SCIE:** Start Condition Interrupt Enable bit (I²C Client mode only)

1 = Enable interrupt on detection of Start or Restart conditions

0 = Start detection interrupts are disabled

bit 20 **BOEN:** Buffer Overwrite Enable bit (I²C Client mode only)

1 = I2CxRCV is updated and $\overline{\text{ACK}}$ is generated for a received address/data byte, ignoring the state of the I2COV bit (I2CxSTAT<6>) only if the RBF bit (I2CxSTAT<2>) = 0

0 = I2CxRCV is only updated when the I2COV bit (I2CxSTAT<6>) is clear

bit 19 **SDAHT:** SDA Hold Time Selection bit

1 = Minimum of 300 ns hold time on SDA after the falling edge of SCL

0 = Minimum of 100 ns hold time on SDA after the falling edge of SCL

bit 18 **SBCDE:** Client Mode Bus Collision Detect Enable bit (I²C Client mode only)

1 = Enable client bus collision interrupts

0 = Client bus collision interrupts are disabled

bit 17 **AHEN:** Address Hold Enable bit (Client mode only)

1 = Following the 8th falling edge of SCL for a matching received address byte; SCKREL bit will be cleared and the SCL will be held low.

0 = Address holding is disabled

bit 16 **DHEN:** Data Hold Enable bit (I²C Client mode only)

1 = Following the 8th falling edge of SCL for a received data byte; client hardware clears the SCKREL bit and SCL is held low

0 = Data holding is disabled

bit 15 **ON:** I²C Enable bit

1 = Enables the I²C module and configures the SDA and SCL pins as serial port pins

0 = Disables the I²C module; all I²C pins are controlled by PORT functions

bit 14 **Unimplemented:** Read as '0'

bit 13 **SIDL:** Stop in Idle Mode bit

1 = Discontinue module operation when device enters Idle mode

0 = Continue module operation in Idle mode

PIC32MK MCA Family

REGISTER 19-1: I2CxCON: I²C CONTROL REGISTER (X=1-2) (CONTINUED)

- bit 12 **SCLREL:** SCLx Release Control bit (when operating as I²C client)
1 = Release SCLx clock
0 = Hold SCLx clock low (clock stretch)
If STREN = 1:
Bit is R/W (i.e., software can write '0' to initiate stretch and write '1' to release clock). Hardware clear at beginning of client transmission. Hardware clear at end of client reception.
If STREN = 0:
Bit is R/S (i.e., software can only write '1' to release clock). Hardware clear at beginning of client transmission.
- bit 11 **STRICT:** Strict I²C Reserved Address Rule Enable bit
1 = Strict reserved addressing is enforced. Device does not respond to reserved address space or generate addresses in reserved address space.
0 = Strict I²C Reserved Address Rule not enabled
- bit 10 **Reserved**
- bit 9 **DISSLW:** Disable Slew Rate Control bit
1 = Slew rate control is disabled
0 = Slew rate control is enabled
- bit 8 **SMEN:** SMBus Input Levels bit
1 = Enable I/O pin thresholds compliant with SMBus specification
0 = Disable SMBus input thresholds
- bit 7 **GCEN:** General Call Enable bit (when operating as I²C client)
1 = Enable interrupt when a general call address is received in the I2CxRSR (module is enabled for reception)
0 = General call address disabled
- bit 6 **STREN:** SCLx Clock Stretch Enable bit (when operating as I²C client)
Used in conjunction with SCLREL bit.
1 = Enable software or receive clock stretching
0 = Disable software or receive clock stretching
- bit 5 **ACKDT:** Acknowledge Data bit (when operating as I²C host, applicable during host receive)
Value that is transmitted when the software initiates an Acknowledge sequence.
1 = Send NACK during Acknowledge
0 = Send ACK during Acknowledge
- bit 4 **ACKEN:** Acknowledge Sequence Enable bit (when operating as I²C host, applicable during host receive)
1 = Initiate Acknowledge sequence on SDAx and SCLx pins and transmit ACKDT data bit. Hardware clear at end of host Acknowledge sequence.
0 = Acknowledge sequence not in progress
- bit 3 **RCEN:** Receive Enable bit (when operating as I²C host)
1 = Enables Receive mode for I²C. Hardware clear at end of eighth bit of host receive data byte.
0 = Receive sequence not in progress
- bit 2 **PEN:** Stop Condition Enable bit (when operating as I²C host)
1 = Initiate Stop condition on SDAx and SCLx pins. Hardware clear at end of host Stop sequence.
0 = Stop condition not in progress
- bit 1 **RSEN:** Repeated Start Condition Enable bit (when operating as I²C host)
1 = Initiate Repeated Start condition on SDAx and SCLx pins. Hardware clear at end of host Repeated Start sequence.
0 = Repeated Start condition not in progress
- bit 0 **SEN:** Start Condition Enable bit (when operating as I²C host)
1 = Initiate Start condition on SDAx and SCLx pins. Hardware clear at end of host Start sequence.
0 = Start condition not in progress

PIC32MK MCA Family

REGISTER 19-2: I2CxSTAT: I²C STATUS REGISTER (X=1-2)

Bit Range	Bit 31/23/15/7	Bit 30/22/14/6	Bit 29/21/13/5	Bit 28/20/12/4	Bit 27/19/11/3	Bit 26/18/10/2	Bit 25/17/9/1	Bit 24/16/8/0
31:24	U-0	U-0	U-0	U-0	U-0	U-0	U-0	U-0
	—	—	—	—	—	—	—	—
23:16	U-0	U-0	U-0	U-0	U-0	U-0	U-0	U-0
	—	—	—	—	—	—	—	—
15:8	R-0, HS, HC	R-0, HS, HC	R/C-0, HS, HC	U-0	U-0	R/C-0, HS	R-0, HS, HC	R-0, HS, HC
	ACKSTAT	TRSTAT	ACKTIM	—	—	BCL	GCSTAT	ADD10
7:0	R/C-0, HS, SC	R/C-0, HS, SC	R-0, HS, HC	R/C-0, HS, HC	R/C-0, HS, HC	R-0, HS, HC	R-0, HS, HC	R-0, HS, HC
	IWCOL	I2COV	D_A	P	S	R_W	RBF	TBF

Legend:	HS = Hardware Set	HC = Hardware Cleared	SC = Software Cleared
R = Readable bit	W = Writable bit	U = Unimplemented bit, read as '0'	
-n = Value at POR	'1' = Bit is set	'0' = Bit is cleared	C = Clearable bit

bit 31-16 **Unimplemented:** Read as '0'

bit 15 **ACKSTAT:** Acknowledge Status bit
(when operating as I²C host, applicable to host transmit operation)

- 1 = NACK received from client
- 0 = ACK received from client

Hardware set or clear at end of client Acknowledge.

bit 14 **TRSTAT:** Transmit Status bit (when operating as I²C host, applicable to host transmit operation)

- 1 = Host transmit is in progress (8 bits + ACK)
- 0 = Host transmit is not in progress

Hardware set at beginning of host transmission. Hardware clear at end of client Acknowledge.

bit 13 **ACKTIM:** Acknowledge Time Status bit (Valid in I²C Client mode only)

- 1 = I²C bus is in an Acknowledge sequence, set on 8th falling edge of SCL clock
- 0 = Not an Acknowledge sequence, cleared on 9th rising edge of SCL clock

bit 12-11 **Unimplemented:** Read as '0'

bit 10 **BCL:** Host Bus Collision Detect bit

- 1 = A bus collision has been detected during a host operation
- 0 = No collision

Hardware set at detection of bus collision.

bit 9 **GCSTAT:** General Call Status bit

- 1 = General call address was received
- 0 = General call address was not received

Hardware set when address matches general call address. Hardware clear at Stop detection.

bit 8 **ADD10:** 10-bit Address Status bit

- 1 = 10-bit address was matched
- 0 = 10-bit address was not matched

Hardware set at match of 2nd byte of matched 10-bit address. Hardware clear at Stop detection.

bit 7 **IWCOL:** Write Collision Detect bit

- 1 = An attempt to write the I2CxTRN register failed because the I²C module is busy
- 0 = No collision

Hardware set at occurrence of write to I2CxTRN while busy (cleared by software).

bit 6 **I2COV:** Receive Overflow Flag bit

- 1 = A byte was received while the I2CxRCV register is still holding the previous byte
- 0 = No overflow

Hardware set at attempt to transfer I2CxRSR to I2CxRCV (cleared by software).

PIC32MK MCA Family

REGISTER 19-2: I2CxSTAT: I²C STATUS REGISTER (X=1-2) (CONTINUED)

- bit 5 **D_A:** Data/Address bit (when operating as I²C client)
 1 = Indicates that the last byte received was data
 0 = Indicates that the last byte received was device address
 Hardware clear at device address match. Hardware set by reception of client byte.
- bit 4 **P:** Stop bit
 1 = Indicates that a Stop bit has been detected last
 0 = Stop bit was not detected last
 Hardware set or clear when Start, Repeated Start or Stop detected.
- bit 3 **S:** Start bit
 1 = Indicates that a Start (or Repeated Start) bit has been detected last
 0 = Start bit was not detected last
 Hardware set or clear when Start, Repeated Start or Stop detected.
- bit 2 **R_W:** Read/Write Information bit (when operating as I²C client)
 1 = Read – indicates data transfer is output from client
 0 = Write – indicates data transfer is input to client
 Hardware set or clear after reception of I²C device address byte.
- bit 1 **RBF:** Receive Buffer Full Status bit
 1 = Receive complete, I2CxRCV is full
 0 = Receive not complete, I2CxRCV is empty
 Hardware set when I2CxRCV is written with received byte. Hardware clear when software reads I2CxRCV.
- bit 0 **TBF:** Transmit Buffer Full Status bit
 1 = Transmit in progress, I2CxTRN is full
 0 = Transmit complete, I2CxTRN is empty
 Hardware set when software writes I2CxTRN. Hardware clear at completion of data transmission.

PIC32MK MCA Family

REGISTER 19-3: I²CxBRG: – I²C MODULE BAUDRATE REGISTER (x=1-2)

Bit Range	Bit 31/23/15/7	Bit 30/22/14/6	Bit 29/21/13/5	Bit 28/20/12/4	Bit 27/19/11/3	Bit 26/18/10/2	Bit 25/17/9/1	Bit 24/16/8/0
31:24	U-0	U-0	U-0	U-0	U-0	U-0	U-0	U-0
	—	—	—	—	—	—	—	—
23:16	U-0	U-0	U-0	U-0	U-0	U-0	U-0	U-0
	—	—	—	—	—	—	—	—
15:8	R/W-0							
	I2CxBRG<15:8> ^(1,2)							
7:0	R/W-0							
	I2CxBRG<7:0> ^(1,2)							

Legend:	HS = Hardware Set	HC = Hardware Cleared	SC = Software Cleared
R = Readable bit	W = Writable bit	U = Unimplemented bit, read as '0'	
-n = Value at POR	'1' = Bit is set	'0' = Bit is cleared	C = Clearable bit

bit 31-16 **Unimplemented:** Read as '0'

bit 15-0 **I2CxBRG<15:0>:** I²C Baud Rate Generator Value bits^(1,2)

These bits control the divider function of the Peripheral Clock.

EQUATION 19-1: BAUD RATE GENERATOR RELOAD VALUE CALCULATION

$$I2CxBRG<15:0> = \frac{F_{PBCLK} - 1}{2 - F_{SCK}} - \frac{F_{PBCLK} - 130ns}{2}$$

PBCLK	F _{sck} (Two Rollovers of I2CxBRG)	Calculated I2CxBRG<15:0>
120 MHz	1000 kHz	0x0034
120 MHz	400 kHz	0x008E
120 MHz	100 kHz	0x0250
60 MHz	1000 kHz	0x001A
60 MHz	400 kHz	0x0047
60 MHz	100 kHz	0x0128

EQUATION 19-2: SCK FREQUENCY

$$F_{SCK} = \frac{F_{PBCLK}}{(2 \cdot I2CxBRG<15:0>) + 2 + (F_{PBCLK} - 130ns)}$$

Note 1: The value of these bits must not be changed when the I²C module is active. It is safe to change the value when ON = 0, when idle or waiting in Host mode.

2: The I2CxBRG values of 0x0 through 0x3 are expressly prohibited. Do not program the I2CxBRG register to any of these values, as indeterminate results may occur.

PIC32MK MCA Family

20.0 UNIVERSAL ASYNCHRONOUS RECEIVER TRANSMITTER (UART)

Note: This data sheet summarizes the features of the PIC32MK MCA Family of devices. It is not intended to be a comprehensive reference source. To complement the information in this data sheet, refer to **Section 21. “Universal Asynchronous Receiver Transmitter (UART)”** (DS60001107), which is available from the *Documentation > Reference Manual* section of the Microchip PIC32 web site (www.microchip.com/pic32).

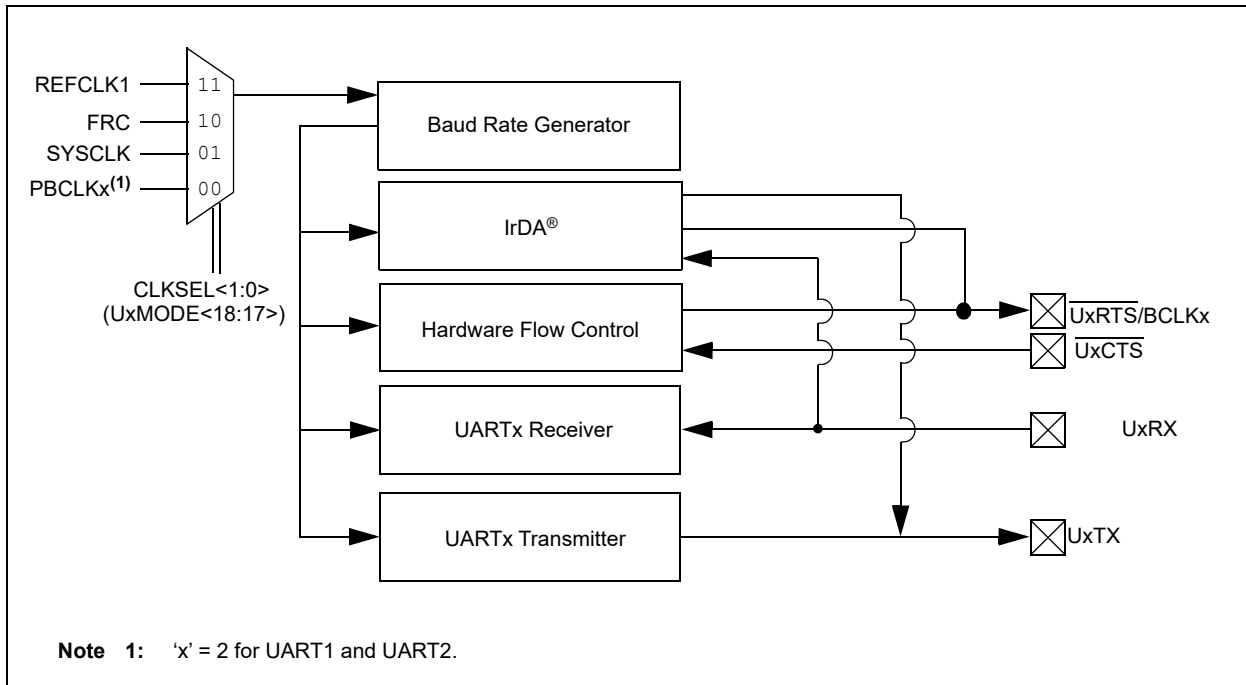
The UART module is one of the serial I/O modules available in PIC32MK MCA Family of devices. The UART is a full-duplex, asynchronous communication channel that communicates with peripheral devices and personal computers through protocols, such as RS-232, RS-485, LIN, and IrDA®. The module also supports the hardware flow control option, with UxCTS and UxRTS pins, and also includes an IrDA encoder and decoder.

The following are key features of the UART module:

- Ability to receive data during Sleep mode
- Full-duplex, 8-bit or 9-bit data transmission
- Even, Odd, or No Parity options (for 8-bit data)
- One or two Stop bits
- Auto-baud support
- Four clock source inputs for asynchronous clocking
- Transmit and Receive (TX/RX) polarity control
- Hardware flow control option
- Fully integrated Baud Rate Generator (BRG) with 16-bit prescaler
- Baud rates up to 30 Mbps
- 8-level deep First-In-First-Out (FIFO) transmit data buffer
- 8-level deep FIFO receive data buffer
- Parity, framing and buffer overrun error detection
- Support for interrupt-only on address detect (ninth bit = 1)
- Separate transmit and receive interrupts
- Loopback mode for diagnostic support
- LIN Protocol support
- IrDA encoder and decoder with 16x baud clock output for external IrDA encoder/decoder support

Figure 20-1 illustrates a simplified block diagram of the UART module.

FIGURE 20-1: UART SIMPLIFIED BLOCK DIAGRAM



20.1 UART Control Registers

TABLE 20-1: UART1 AND UART2 REGISTER MAP

Virtual Address BF82_#	Register Name	Bit Range	Bits															All Resets				
			31/15	30/14	29/13	28/12	27/11	26/10	25/9	24/8	23/7	22/6	21/5	20/4	19/3	18/2	17/1		16/0			
8000	U1MODE ⁽¹⁾	31:16	—	—	—	—	—	—	—	—	—	SLPEN	CKRDY	—	—	—	CLKSEL<1:0>	RUNOV	0000			
		15:0	ON	—	SIDL	IREN	RTSMD	—	—	UEN<1:0>	WAKE	LPBACK	ABAUD	RXINV	BRGH	—	—	PDSEL<1:0>	STSEL	0000		
8010	U1STA ⁽¹⁾	31:16	ADDRMSK<7:0>							ADDR<7:0>							0000					
		15:0	UTXISEL<1:0>	UTXINV	URXEN	UTXBRK	UTXEN	UTXBF	TRMT	—	—	—	—	—	—	—	—	—	—	—	URXDA	0110
8020	U1TXREG	31:16	—	—	—	—	—	—	—	—	—	—	—	—	—	—	—	—	—	—	—	0000
		15:0	—	—	—	—	—	—	—	—	TX8	Transmit Register										0000
8030	U1RXREG	31:16	—	—	—	—	—	—	—	—	—	—	—	—	—	—	—	—	—	—	—	0000
		15:0	—	—	—	—	—	—	—	—	RX8	Receive Register										0000
8040	U1BRG ⁽¹⁾	31:16	—	—	—	—	—	—	—	—	—	—	—	—	—	—	U1BRG<19:16>			0000		
		15:0	U1BRG<15:0>															0000				
8200	U2MODE ⁽¹⁾	31:16	—	—	—	—	—	—	—	—	—	SLPEN	CKRDY	—	—	—	CLKSEL<1:0>	RUNOV	0000			
		15:0	ON	—	SIDL	IREN	RTSMD	—	—	UEN<1:0>	WAKE	LPBACK	ABAUD	RXINV	BRGH	—	—	PDSEL<1:0>	STSEL	0000		
8210	U2STA ⁽¹⁾	31:16	ADDRMSK<7:0>							ADDR<7:0>							0000					
		15:0	UTXISEL<1:0>	UTXINV	URXEN	UTXBRK	UTXEN	UTXBF	TRMT	—	—	—	—	—	—	—	—	—	—	—	—	URXDA
8220	U2TXREG	31:16	—	—	—	—	—	—	—	—	—	—	—	—	—	—	—	—	—	—	—	0000
		15:0	—	—	—	—	—	—	—	—	TX8	Transmit Register										0000
8230	U2RXREG	31:16	—	—	—	—	—	—	—	—	—	—	—	—	—	—	—	—	—	—	—	0000
		15:0	—	—	—	—	—	—	—	—	—	RX8	Receive Register									
8240	U2BRG ⁽¹⁾	31:16	—	—	—	—	—	—	—	—	—	—	—	—	—	—	BRG<19:16>			0000		
		15:0	BRG<15:0>															0000				

Legend: x = unknown value on Reset; — = unimplemented, read as '0'. Reset values are shown in hexadecimal.

Note 1: This register has corresponding CLR, SET, and INV registers at its virtual address, plus an offset of 0x4, 0x8, and 0xC, respectively. See 11.2 "CLR, SET, and INV Registers" for more information.

PIC32MK MCA Family

REGISTER 20-1: UxMODE: UARTx MODE REGISTER (“x” = 1-2)

Bit Range	Bit 31/23/15/7	Bit 30/22/14/6	Bit 29/21/13/5	Bit 28/20/12/4	Bit 27/19/11/3	Bit 26/18/10/2	Bit 25/17/9/1	Bit 24/16/8/0
31:24	U-0 —	U-0 —	U-0 —	U-0 —	U-0 —	U-0 —	U-0 —	U-0 —
23:16	R/W-0 SLPEN	R-0, HS, HC CLKRDY	U-0 —	U-0 —	U-0 —	R/W-0 CLKSEL<1:0> ⁽¹⁾	R/W-0	R/W-0 RUNOV
15:8	R/W-0 ON	U-0 —	R/W-0 SIDL	R/W-0 IREN	R/W-0 RTSMD	U-0 —	R/W-0 UEN<1:0> ⁽²⁾	R/W-0
7:0	R-0, HC WAKE	R/W-0 LPBACK	R/W-0, HC ABAUD	R/W-0 RXINV	R/W-0 BRGH	R/W-0 PDSSEL<1:0>	R/W-0	R/W-0 STSEL

Legend:	HS = Set by hardware	HC = cleared by hardware
R = Readable bit	W = Writable bit	U = Unimplemented bit, read as ‘0’
-n = Value at POR	‘1’ = Bit is set	‘0’ = Bit is cleared x = Bit is unknown

bit 31-24 **Unimplemented:** Read as ‘0’

bit 23 **SLPEN:** Run During Sleep Enable bit
 1 = BRG clock runs during Sleep mode
 0 = BRG clock is turned off during Sleep mode

Note: SLPEN = 1 only applies if CLKSEL = FRC, or in some cases REFCLK depending on the selected REFCLK input source if running while in Sleep mode.

bit 22 **CLKRDY:** USART Clock Status bit
 1 = UART clock is ready (User *should not* update the UxMODE register)
 0 = UART clock is not ready (User *can* update the UxMODE register)

bit 21-19 **Unimplemented:** Read as ‘0’

bit 18-17 **CLKSEL<1:0>:** UART Baud Rate Generator Clock Selection bits⁽¹⁾
 11 = BRG clock is REFCLK1
 10 = BRG clock is FRC
 01 = BRG clock is SYSCLK (off in Sleep mode)
 00 = BRG clock is PBCLKx (off in Sleep mode)

bit 16 **RUNOV:** Run During Overflow Mode bit
 1 = Shift register continues to run when Overflow (OERR) condition is detected
 0 = Shift register stops accepting new data when Overflow (OERR) condition is detected

bit 15 **ON:** UARTx Enable bit
 1 = UARTx is enabled. UARTx pins are controlled by UARTx as defined by UEN<1:0> and UTXEN control bits
 0 = UARTx is disabled. All UARTx pins are controlled by corresponding bits in the PORTx, TRISx and LATx registers; UARTx power consumption is minimal

bit 14 **Unimplemented:** Read as ‘0’

bit 13 **SIDL:** Stop in Idle Mode bit
 1 = Discontinue operation when device enters Idle mode
 0 = Continue operation in Idle mode

bit 12 **IREN:** IrDA Encoder and Decoder Enable bit
 1 = IrDA is enabled
 0 = IrDA is disabled

Note 1: These bits can be changed only when the ON bit (UxMODE<15>) is set to ‘0’.

Note 2: These bits are present for legacy compatibility, and are superseded by PPS functionality on these devices (see [11.3 “Peripheral Pin Select \(PPS\)”](#) for more information).

REGISTER 20-1: UxMODE: UARTx MODE REGISTER (“x” = 1-2) (CONTINUED)

- bit 11 **RTSMD**: Mode Selection for $\overline{\text{UxRTS}}$ Pin bit
1 = $\overline{\text{UxRTS}}$ pin is in Simplex mode
0 = $\overline{\text{UxRTS}}$ pin is in Flow Control mode
- bit 10 **Unimplemented**: Read as ‘0’
- bit 9-8 **UEN<1:0>**: UARTx Enable bits⁽²⁾
11 = UxTX, UxRX and UxBCLK pins are enabled and used; $\overline{\text{UxCTS}}$ pin is controlled by corresponding bits in the PORTx register
10 = UxTX, UxRX, $\overline{\text{UxCTS}}$ and $\overline{\text{UxRTS}}$ pins are enabled and used
01 = UxTX, UxRX and $\overline{\text{UxRTS}}$ pins are enabled and used; $\overline{\text{UxCTS}}$ pin is controlled by corresponding bits in the PORTx register
00 = UxTX and UxRX pins are enabled and used; $\overline{\text{UxCTS}}$ and $\overline{\text{UxRTS}}$ /UxBCLK pins are controlled by corresponding bits in the PORTx register
- bit 7 **WAKE**: Enable Wake-up on Start bit Detect During Sleep Mode bit
1 = Wake-up is enabled
0 = Wake-up is disabled
- bit 6 **LPBACK**: UARTx Loopback Mode Select bit
1 = Loopback mode is enabled
0 = Loopback mode is disabled
- bit 5 **ABAUD**: Auto-Baud Enable bit
1 = Enable baud rate measurement on the next reception of Sync character (0x55); cleared by hardware upon completion
0 = Baud rate measurement disabled or completed
- bit 4 **RXINV**: Receive Polarity Inversion bit
1 = UxRX Idle state is ‘0’
0 = UxRX Idle state is ‘1’
- bit 3 **BRGH**: High Baud Rate Enable bit
1 = High-Speed mode – 4x baud clock enabled
0 = Standard Speed mode – 16x baud clock enabled
Note: Only use BRGH = 1 for Baud rates $\geq 7.5\text{MBPS}$.
- bit 2-1 **PDSEL<1:0>**: Parity and Data Selection bits
11 = 9-bit data, no parity
10 = 8-bit data, odd parity
01 = 8-bit data, even parity
00 = 8-bit data, no parity
- bit 0 **STSEL**: Stop Selection bit
1 = 2 Stop bits
0 = 1 Stop bit

Note 1: These bits can be changed only when the ON bit (UxMODE<15>) is set to ‘0’.

2: These bits are present for legacy compatibility, and are superseded by PPS functionality on these devices (see [11.3 “Peripheral Pin Select \(PPS\)”](#) for more information).

PIC32MK MCA Family

REGISTER 20-2: UxSTA: UARTx STATUS AND CONTROL REGISTER (“X” = 1-2)

Bit Range	Bit 31/23/15/7	Bit 30/22/14/6	Bit 29/21/13/5	Bit 28/20/12/4	Bit 27/19/11/3	Bit 26/18/10/2	Bit 25/17/9/1	Bit 24/16/8/0
31:24	R/W-0	R/W-0	R/W-0	R/W-0	R/W-0	R/W-0	R/W-0	R/W-0
MASK<7:0>								
23:16	R/W-0	R/W-0	R/W-0	R/W-0	R/W-0	R/W-0	R/W-0	R/W-0
ADDR<7:0>								
15:8	R/W-0	R/W-0	R/W-0	R/W-0	R/W-0, HC	R/W-0	R-0	R-1
	UTXISEL<1:0>		UTXINV	URXEN	UTXBRK	UTXEN ⁽¹⁾	UTXBF	TRMT
7:0	R/W-0	R/W-0	R/W-0	R-1	R-0	R-0	R/W-0, HS	R-0
	URXISEL<1:0>		ADDEN	RIDLE	PERR	FERR	OERR	URXDA

Legend:	HS = Set by hardware	HC = cleared by hardware
R = Readable bit	W = Writable bit	U = Unimplemented bit, read as ‘0’
-n = Value at POR	‘1’ = Bit is set	‘0’ = Bit is cleared x = Bit is unknown

bit 31-24 **MASK<7:0>**: Address Match Mask bits

These bits are used to mask the ADDR<7:0> bits.

11111111 = Corresponding matching ADDR<7:0> bits are used to detect the address match

Note: This setting allows the user to assign individual address as well as a group broadcast address to a UART.

00000000 = Corresponding ADDR_x bits are not used to detect the address match.

See [20.2 “UART Broadcast Mode Example”](#) for additional information.

bit 23-16 **ADDR<7:0>**: Automatic Address Mask bits

1 = Corresponding MASK_x bits are used to detect the address match.

Note: This setting allows the user to assign individual address as well as a group broadcast address to a UART.

0 = Corresponding MASK_x bits are not used to detect the address match.

See [20.2 “UART Broadcast Mode Example”](#) for additional information.

bit 15-14 **UTXISEL<1:0>**: TX Interrupt Mode Selection bits

11 = Reserved, do not use

10 = Interrupt is generated and asserted while the transmit buffer is empty

01 = Interrupt is generated and asserted when all characters have been transmitted

00 = Interrupt is generated and asserted while the transmit buffer contains at least one empty space

bit 13 **UTXINV**: Transmit Polarity Inversion bit

If IrDA mode is disabled (i.e., IREN (UxMODE<12>) is ‘0’):

1 = UxTX Idle state is ‘0’

0 = UxTX Idle state is ‘1’

If IrDA mode is enabled (i.e., IREN (UxMODE<12>) is ‘1’):

1 = IrDA encoded UxTX Idle state is ‘1’

0 = IrDA encoded UxTX Idle state is ‘0’

bit 12 **URXEN**: Receiver Enable bit

1 = UART_x receiver is enabled. The UxRX pin is controlled by the UART_x (if ON bit (UxMODE<15>) = 1)

0 = UART_x receiver is disabled. The UxRX pin is ignored by the UART_x module and released to the PORT

Note: The event of disabling an enabled receiver will release the RX pin to the PORT function; however, the receive buffers will not be reset. Disabling the receiver has no effect on the receive status flags.

Note 1: This bit must not be enabled until after the ON bit (UxMODE<15>) = 1. If TX interrupts are enabled, setting this bit will immediately cause a TX interrupt based on the value of the UTXISEL bit.

REGISTER 20-2: UxSTA: UARTx STATUS AND CONTROL REGISTER (“X” = 1-2) (CONTINUED)

- bit 11 **UTXBRK**: Transmit Break bit
1 = Send Break on next transmission. Start bit followed by twelve ‘0’ bits, followed by Stop bit; cleared by hardware upon completion
0 = Break transmission is disabled or completed
- bit 10 **UTXEN**: Transmit Enable bit⁽¹⁾
1 = UARTx transmitter is enabled. UxTX pin is controlled by UARTx (if ON bit (UxMODE<15>) = 1)
0 = UARTx transmitter is disabled
The event of disabling an enabled transmitter will release the TX pin to the PORT function and reset the transmit buffers to empty. Any pending transmission is aborted and data characters in the transmit buffers are lost. All transmit status flags are cleared and the TRMT bit is set.
- bit 9 **UTXBF**: Transmit Buffer Full Status bit (read-only)
1 = Transmit buffer is full
0 = Transmit buffer is not full, at least one more character can be written
- bit 8 **TRMT**: Transmit Shift Register is Empty bit (read-only)
1 = Transmit shift register is empty and transmit buffer is empty (the last transmission has completed)
0 = Transmit shift register is not empty, a transmission is in progress or queued in the transmit buffer
- bit 7-6 **URXISEL<1:0>**: Receive Interrupt Mode Selection bit
11 = Reserved
10 = Interrupt flag bit is asserted while receive buffer is 3/4 or more full
01 = Interrupt flag bit is asserted while receive buffer is 1/2 or more full
00 = Interrupt flag bit is asserted while receive buffer is not empty (i.e., has at least 1 data character)
- bit 5 **ADDEN**: Address Character Detect bit (bit 8 of received data = 1)
1 = Address Detect mode is enabled. If 9-bit mode is not selected, this control bit has no effect
0 = Address Detect mode is disabled
- bit 4 **RIDLE**: Receiver Idle bit (read-only)
1 = Receiver is Idle
0 = Data is being received
- bit 3 **PERR**: Parity Error Status bit (read-only)
1 = Parity error has been detected for the current character
0 = Parity error has not been detected
- bit 2 **FERR**: Framing Error Status bit (read-only)
1 = Framing error has been detected for the current character
0 = Framing error has not been detected
- bit 1 **OERR**: Receive Buffer Overrun Error Status bit.
When RUNOV = 0, clearing a previously set OERR bit will clear and reset the receive buffer and shift register.
When RUNOV = 1, Clearing a previously set OERR bit will NOT reset the receive buffer and shift register
1 = Receive buffer has overflowed
0 = Receive buffer has not overflowed
- bit 0 **URXDA**: Receive Buffer Data Available bit (read-only)
1 = Receive buffer has data, at least one more character can be read
0 = Receive buffer is empty

Note 1: This bit must not be enabled until after the ON bit (UxMODE<15>) = 1. If TX interrupts are enabled, setting this bit will immediately cause a TX interrupt based on the value of the UTXISEL bit.

PIC32MK MCA Family

20.2 UART Broadcast Mode Example

As shown in Table 20-3, the group hardware address identifier bit was arbitrarily chosen as bit 7 with bit 4 chosen as the software group or individual UART target ID. Therefore, the collective group address assigned for all UARTs (i.e, [w, x, y, z]) is `'0b100100xx`, while the individual addresses are `'0b10000000` through `'0b10000011`, respectively.

Any MASK register bit = 0 means the corresponding ADDR<7:0> bit is a “don't care” from a hardware address matching point of view. Using this scheme, multiple UART subnet groups could be created within a network. If not using address match with a broadcast mode, set the ADDRMSK<7:0> bits (UxSTAT<31:24>) = 0x00, which is the default.

To send a broadcast message to all UARTs in the group identified by bit 7 = 1, send UxTXREG = (0x190), address bit 9 set. All the UARTs in that group, bit 7 = 1, would generate an interrupt for an address match because of the bit <7:5>,<3:2> match, Logic AND of MASK and ADDR registers equal “true”. User software would check if bit 4 = 1, and if true, the RX<7:0> bits register value is valid for all UARTS.

To send a specific message to UARTy within the group, the user would send UxTXREG = (0x182), address bit 9 set. All of the UARTs in that group identified with bit 7 = 1 would still generate an interrupt for an address match because of the bit <7:5>,<3:2> address match, Logic AND of MASK and ADDR registers equal True. In this case, user software would check if bit 4 = 0, and if true, the RX<7:0> bits register value would be intended only for UARTy, with all others ignored.

TABLE 20-3: PDSEL<1:0> (UxMODE<2:1>) = '0b11 AND ADM_EN (UxSTA<24>) = 1

Networked UARTS	Register Bit	7	6	5	4	3	2	1	0	Individual/ Group Addresses
UARTx	ADDRMSK	1	1	1	0	1	1	0	0	0xBC
UARTw	ADDR	1	0	0	1 = Group 0 = Individual	0	0	0	0	0x80/0x9X
UARTx	ADDR	1	0	0	1 = Group 0 = Individual	0	0	0	1	0x81/0x9X
UARTy	ADDR	1	0	0	1 = Group 0 = Individual	0	0	1	0	0x82/0x9X
UARTz	ADDR	1	0	0	1 = Group 0 = Individual	0	0	1	1	0x83/0x9X

20.3 Module Operation

20.3.1 INITIALIZATION

Clearing the ON bit (i.e., = 0), which disables the UART module, will do the following:

- Aborts all pending transmissions and receptions and resets the module, as follows:
 - Reset the RX/TX buffers/FIFO to empty states (any data characters in the buffers are lost)
 - Resets the baud rate counter (UxBRG is not affected, only the counter)
 - Resets all error and status flags: URXDA, OERR, FERR, PERR, UTXBRK, UTXBF are cleared and RIDLE, TRMT are set
 - Stop clocks to the entire module with the exception of the SFRs, saving power
 - Surrenders control of the module I/O pins
- Note:** After the ON bit is set, it must not be cleared until the CLKRDY bit is read to be a logic '1'. This allows proper synchronization of the status and output signals. Otherwise, glitches in the status signals or BRG clock can occur.

Setting the ON bit (i.e., = 1), which enables the UART module, will do the following:

- The UART module controls the I/O pins as defined by the UEN bits, overriding the port TRIS and LATCH register bit settings
 - UxTX is forced as an output driving the idle state defined by the UTXINV bit, when no transmissions are taking place
 - UxRX is configured as an input
 - If CTS and RTS are enabled, CTS is forced as an input and the RTS/BCLK pin functions as RTS output
 - If BCLK is enabled, the RTS/BCLK output drives the 16x baud clock output
- Note:** The ON bit must not be set (i.e., = 1) unless the CLKRDY bit is read to be a logic '0'.

20.4 Serial Protocols Usage

20.4.1 DATA TERMINAL EQUIPMENT (DTE) WITH FLOW CONTROL

When connecting to the DTE (typically a PC) and flow control is desired, set the UEN bit = 10 to enable CTS and RTS, and set the RTSMD bit = 0.

20.4.2 IEEE-485

To use the UART module in the IEEE-485 protocol, use the address detection feature to detect message frames. Normally, set the UEN bit = '01' to drive the RTS pin and control the bus driver, and set the RTSMD bit = 1.

20.4.3 LIN BUS

To transmit on a LIN bus, the transmitter must send a frame in 8,N,1 format consisting of a break, a synchronization character (0x55), and the message body. The module has extensive support for the LIN protocol including bus wake-up for a client node as well as auto-baud detection and BREAK character transmit for host nodes. When in LIN mode, the software should program the BRGH bit = 0, which insures a 16x baud clock is used with majority detect.

PIC32MK MCA Family

20.5 Transmit and Receive Timing

Figure 20-2 and Figure 20-3 illustrate typical receive and transmit timing for the UART module.

FIGURE 20-2: UART RECEPTION

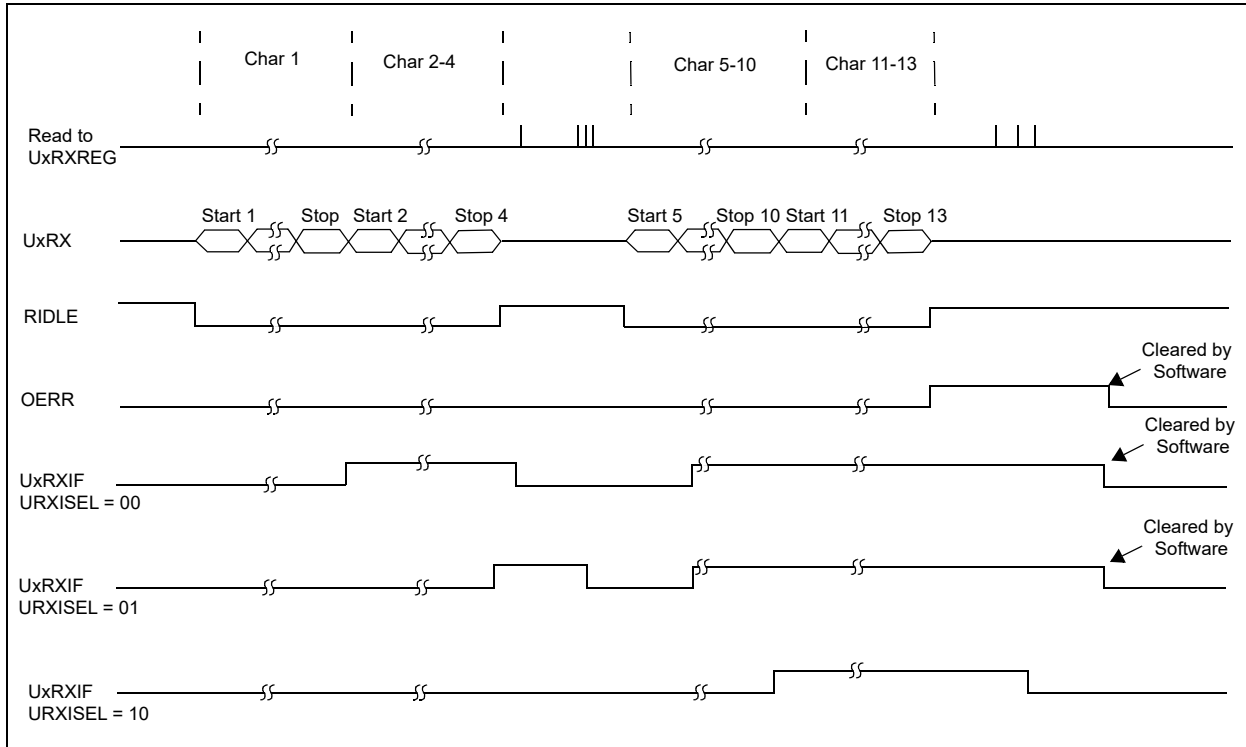
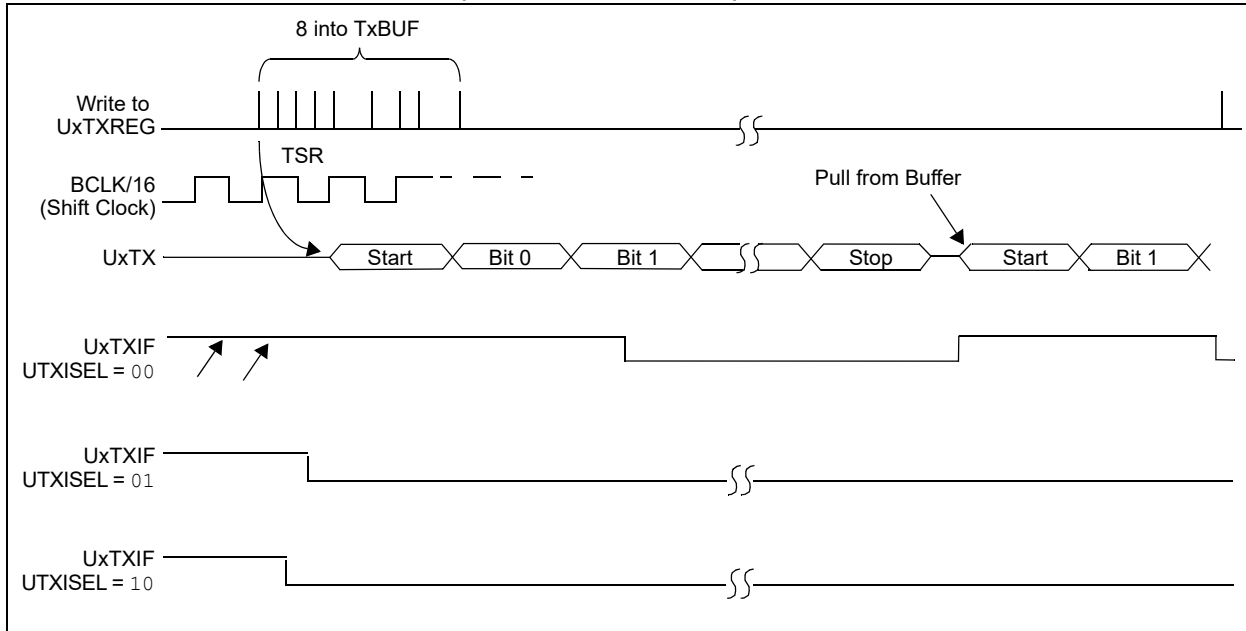


FIGURE 20-3: TRANSMISSION (8-BIT OR 9-BIT DATA)



21.0 CONFIGURABLE LOGIC CELL (CLC)

Note: This data sheet summarizes the features of the PIC32MK MCA Family of devices. It is not intended to be a comprehensive reference source. To complement the information in this data sheet, refer to **Section 36. “Configurable Logic Cell”** (DS60001363) in the “PIC32 Family Reference Manual”, which is available from the Microchip web site (www.microchip.com/PIC32). The information in this data sheet supersedes the information in the FRM.

The Configurable Logic Cell (CLC) module allows the user to specify combinations of signals as inputs to a logic function and to use the logic output to control other peripherals or I/O pins. This provides greater flexibility and potential in embedded designs since the CLC module can operate outside the limitations of software execution, and supports a vast amount of output designs.

There are four input gates to the selected logic function. These four input gates select from a pool of up to 32 signals that are selected using four data source selection multiplexers. **Figure 21-1** shows an overview of the module. **Figure 21-3** shows the details of the data source multiplexers and logic input gate connections.

FIGURE 21-1: CLCx MODULE

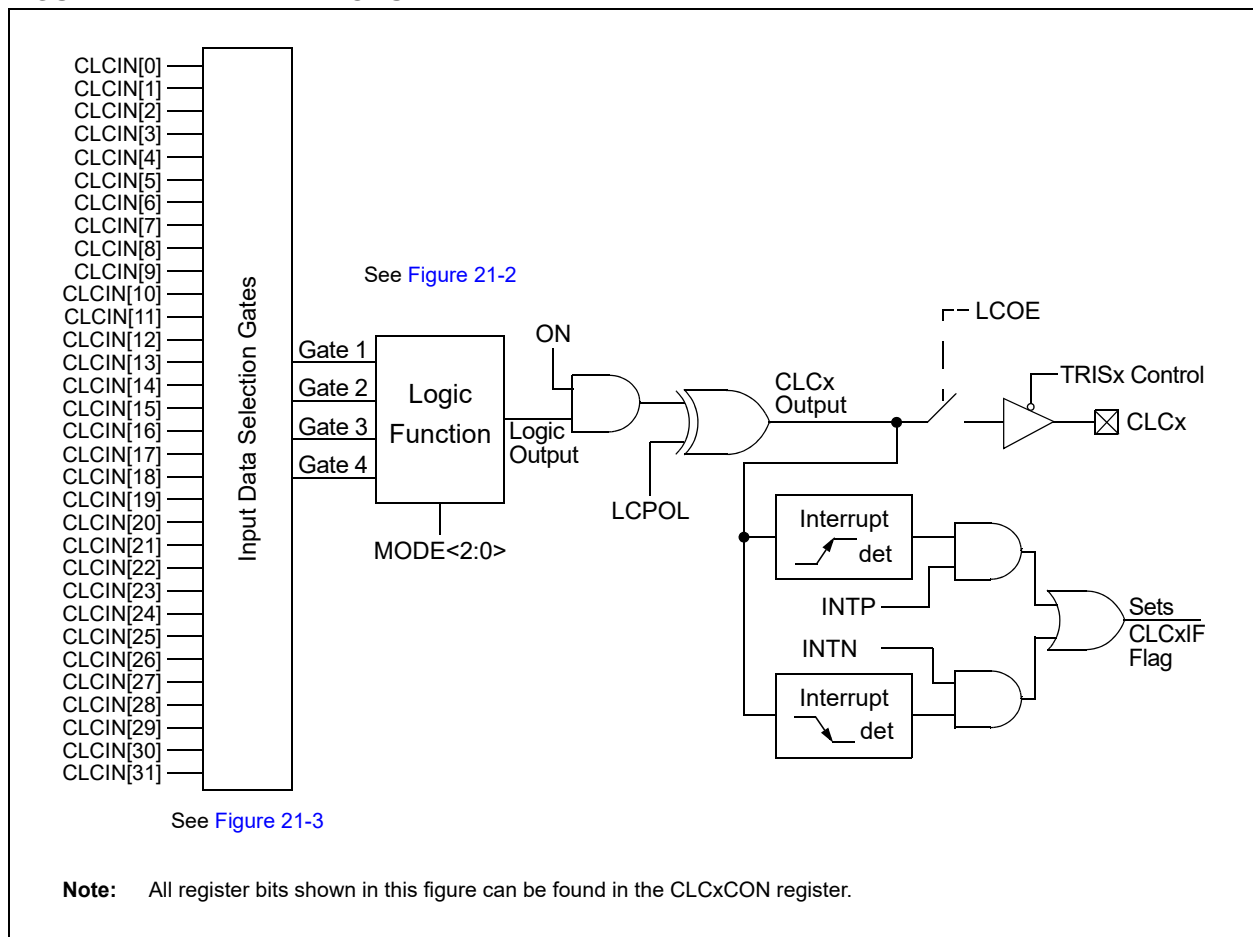


FIGURE 21-2: CLCx LOGIC FUNCTION COMBINATORIAL OPTIONS

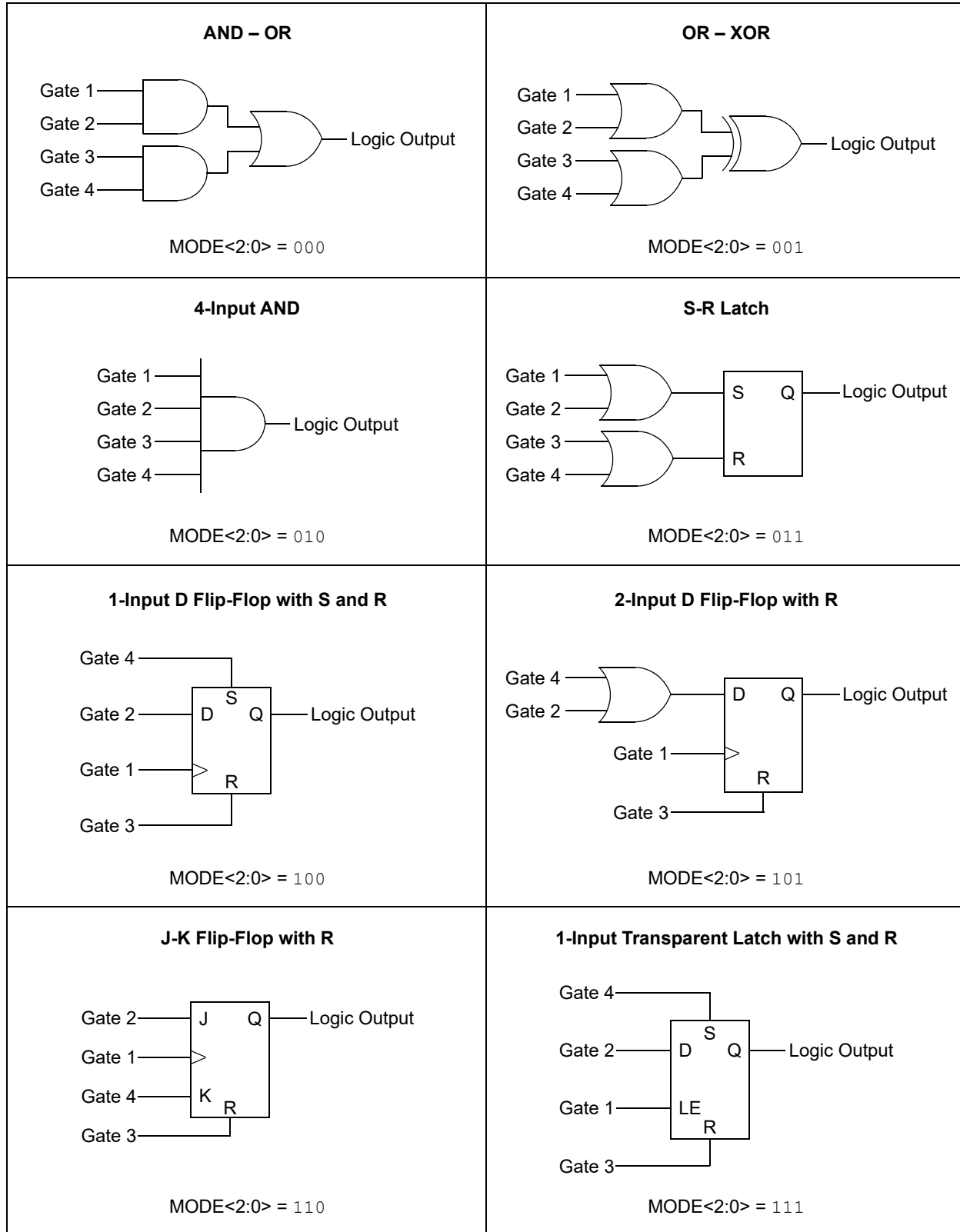
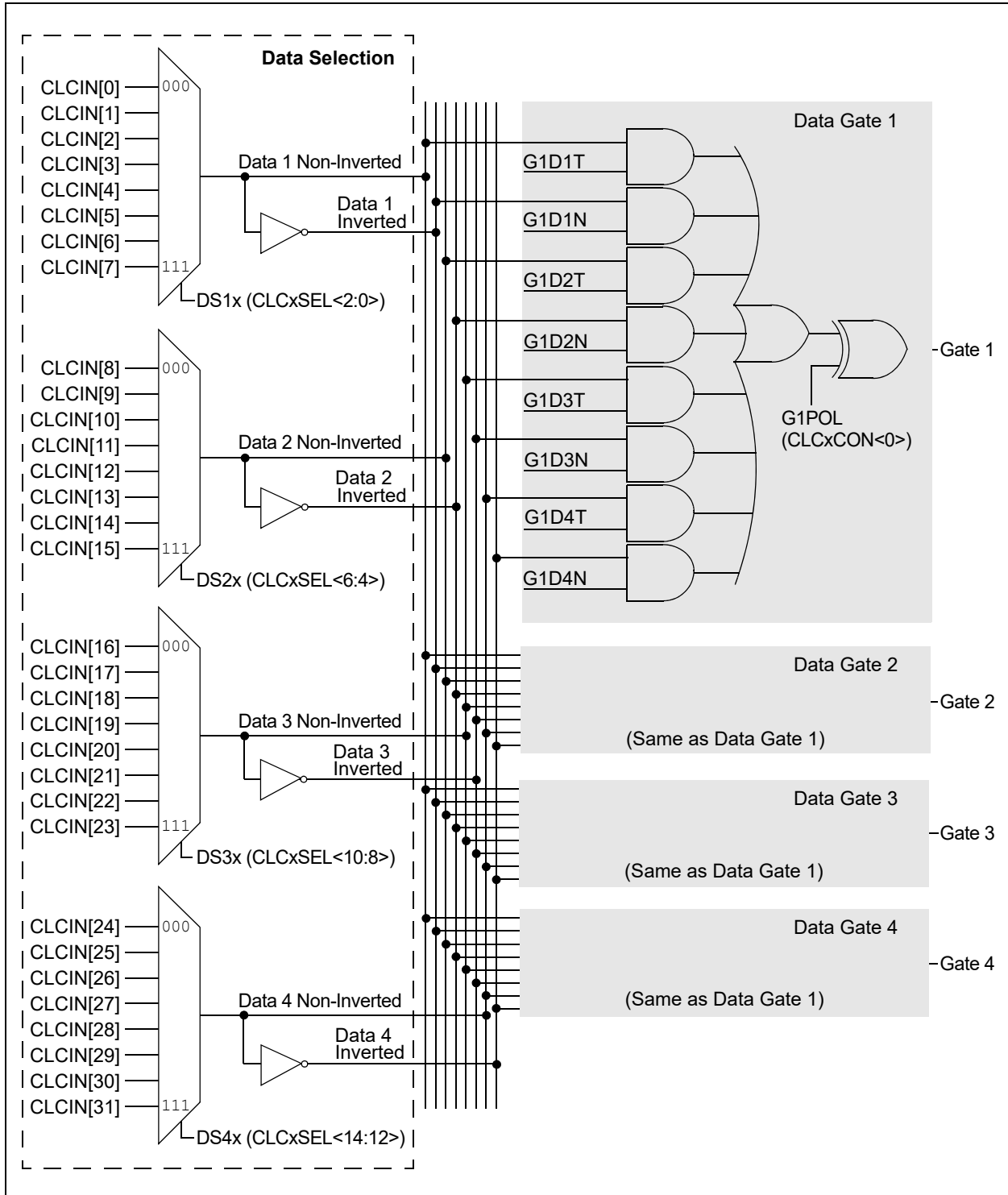


FIGURE 21-3: CLCx INPUT SOURCE SELECTION DIAGRAM



21.1 Control Registers

The CLCx module is controlled by the following registers:

- CLCxCON
- CLCxSEL
- CLCxGLS

The CLCx Control register (CLCxCON) is used to enable the module and interrupts, control the output enable bit, select output polarity and select the logic function. The CLCx Control registers also allow the user to control the logic polarity of not only the cell output, but also some intermediate variables.

The CLCx Source Select register (CLCxSEL) allows the user to select up to 4 data input sources using the 4 data input selection multiplexers. Each multiplexer has a list of 8 data sources available.

The CLCx Gate Logic Select register (CLCxGLS) allows the user to select which outputs from each of the selection MUXes are used as inputs to the input gates of the logic cell. Each data source MUX outputs both a true and a negated version of its output. All of these 8 signals are enabled, ORed together by the logic cell input gates.

TABLE 21-1: CLC1 REGISTER MAP

Virtual Address (BF80_#)	Register Name ⁽¹⁾	Bit Range	Bits																All Resets
			31/15	30/14	29/13	28/12	27/11	26/10	25/9	24/8	23/7	22/6	21/5	20/4	19/3	18/2	17/1	16/0	
2480	CLC1CON	32:16	—	—	—	—	—	—	—	—	—	—	—	—	G4POL	G3POL	G2POL	G1POL	0000
		15:0	ON	—	—	—	INTP	INTN	—	—	LCOE	LCOUT	LCPOL	—	—	MODE<2:0>			0000
2490	CLC1SEL	32:16	—	—	—	—	—	—	—	—	—	—	—	—	—	—	—	—	0000
		15:0	—	DS4<2:0>				—	DS3<2:0>				—	DS2<2:0>				—	DS1<2:0>
24A0	CLC1GLS	32:16	G4D4T	G4D4N	G4D3T	G4D3N	G4D2T	G4D2N	G4D1T	G4D1N	G3D4T	G3D4N	G3D3T	G3D3N	G3D2T	G3D2N	G3D1T	G3D1N	0000
		15:0	G2D4T	G2D4N	G2D3T	G2D3N	G2D2T	G2D2N	G2D1T	G2D1N	G1D4T	G1D4N	G1D3T	G1D3N	G1D2T	G1D2N	G1D1T	G1D1N	0000

Legend: — = unimplemented, read as '0'. Reset values are shown in hexadecimal.

Note 1: All registers in this table have corresponding CLR, SET and INV registers at their virtual address, plus an offset of 0x4, 0x8 and 0xC, respectively.

REGISTER 21-1: CLCxCON: CLCx CONTROL REGISTER

Bit Range	Bit 31/23/15/7	Bit 30/22/14/6	Bit 29/21/13/5	Bit 28/20/12/4	Bit 27/19/11/3	Bit 26/18/10/2	Bit 25/17/9/1	Bit 24/16/8/0
31:24	U-0	U-0	U-0	U-0	U-0	U-0	U-0	U-0
	—	—	—	—	—	—	—	—
23:16	U-0	U-0	U-0	U-0	R/W-0	R/W-0	R/W-0	R/W-0
	—	—	—	—	G4POL	G3POL	G2POL	G1POL
15:8	R/W-0	U-0	U-0	U-0	R/W-0	R/W-0	U-0	U-0
	ON	—	—	—	INTP ⁽¹⁾	INTN ⁽¹⁾	—	—
7:0	R/W-0	R-0, HS, HC	R/W-0	U-0	U-0	R/W-0	R/W-0	R/W-0
	LCOE	LCOUT	LCPOL	—	—	MODE<2:0>		

Legend:	HC = Hardware Clearable bit	HS = Hardware Settable bit
R = Readable bit	W = Writable bit	U = Unimplemented bit, read as '0'
-n = Value at POR	'1' = Bit is set	'0' = Bit is cleared x = Bit is unknown

bit 31-20 **Unimplemented:** Read as '0'

bit 19 **G4POL:** Gate 4 Polarity Control bit

- 1 = The output of Channel 4 logic is inverted when applied to the logic cell
- 0 = The output of Channel 4 logic is not inverted

bit 18 **G3POL:** Gate 3 Polarity Control bit

- 1 = The output of Channel 3 logic is inverted when applied to the logic cell
- 0 = The output of Channel 3 logic is not inverted

bit 17 **G2POL:** Gate 2 Polarity Control bit

- 1 = The output of Channel 2 logic is inverted when applied to the logic cell
- 0 = The output of Channel 2 logic is not inverted

bit 16 **G1POL:** Gate 1 Polarity Control bit

- 1 = The output of Channel 1 logic is inverted when applied to the logic cell
- 0 = The output of Channel 1 logic is not inverted

bit 15 **ON:** CLCx Enable bit

- 1 = CLCx is enabled and mixing input signals
- 0 = CLCx is disabled and has logic zero outputs

bit 14-13 **Unimplemented:** Read as '0'

bit 12 **Unimplemented:** Read as '0'

bit 11 **INTP:** CLCx Positive Edge Interrupt Enable bit⁽¹⁾

- 1 = Interrupt will be generated when a rising edge occurs on LCOUT
- 0 = Interrupt will not be generated

bit 10 **INTN:** CLCx Negative Edge Interrupt Enable bit⁽¹⁾

- 1 = Interrupt will be generated when a falling edge occurs on LCOUT
- 0 = Interrupt will not be generated

bit 9-8 **Unimplemented:** Read as '0'

bit 7 **LCOE:** CLCx Port Enable bit

- 1 = CLCx port pin output is enabled
- 0 = CLCx port pin output is disabled

bit 6 **LCOUT:** CLCx Data Output Status bit

- 1 = CLCx output high
- 0 = CLCx output low

Note 1: The INTP and INTN bits should never be set at the same time when ON bit is enabled for proper interrupt functionality.

REGISTER 21-1: CLCxCON: CLCx CONTROL REGISTER (CONTINUED)

- bit 5 **LCPOL:** CLCx Output Polarity Control bit
 1 = The output of the module is inverted
 0 = The output of the module is not inverted
- bit 4-3 **Unimplemented:** Read as '0'
- bit 2-0 **MODE<2:0>:** CLCx Mode bits
 111 = Cell is a 1-input transparent latch with S and R
 110 = Cell is a JK flip-flop with R
 101 = Cell is a 2-input D flip-flop with R
 100 = Cell is a 1-input D flip-flop with S and R
 011 = Cell is an SR latch
 010 = Cell is a 4-input AND
 001 = Cell is an OR-XOR
 000 = Cell is a AND-OR

Note 1: The INTP and INTN bits should never be set at the same time when ON bit is enabled for proper interrupt functionality.

REGISTER 21-2: CLCxSEL: CLCx INPUT MUX SELECT REGISTER

Bit Range	Bit 31/23/15/7	Bit 30/22/14/6	Bit 29/21/13/5	Bit 28/20/12/4	Bit 27/19/11/3	Bit 26/18/10/2	Bit 25/17/9/1	Bit 24/16/8/0
31:24	U-0	U-0	U-0	U-0	U-0	U-0	U-0	U-0
	—	—	—	—	—	—	—	—
23:16	U-0	U-0	U-0	U-0	U-0	U-0	U-0	U-0
	—	—	—	—	—	—	—	—
15:8	U-0	R/W-0	R/W-0	R/W-0	U-0	R/W-0	R/W-0	R/W-0
	—	DS4<2:0>			—	DS3<2:0>		
7:0	U-0	R/W-0	R/W-0	R/W-0	U-0	R/W-0	R/W-0	R/W-0
	—	DS2<2:0>			—	DS1<2:0>		

Legend:

R = Readable bit W = Writable bit U = Unimplemented bit, read as '0'
-n = Value at POR '1' = Bit is set '0' = Bit is cleared x = Bit is unknown

bit 31-15 **Unimplemented:** Read as '0'

bit 14-12 **DS4<2:0>**: Data Selection MUX 4 Signal Selection bits

- 000 = CLCINB Pad
- 001 = CLCIND Pad
- 010 = TMR2 Sync Out
- 011 = SPI1 SDI In
- 100 = RTCC Event
- 101 = ICAP4 Event
- 110 = OCMP4 Output
- 111 = UART1 BCLK/RTS

bit 11 **Unimplemented:** Read as '0'

bit 10-8 **DS3<2:0>**: Data Selection MUX 3 Signal Selection bits

- 000 = CLCINA Pad
- 001 = CLC1 Out
- 010 = CMP2 Out
- 011 = SPI1 SDO Out
- 100 = UART1 RX In
- 101 = ICAP3 Event
- 110 = OCMP3 Output
- 111 = TMR4 Compare Event

bit 7 **Unimplemented:** Read as '0'

bit 6-4 **DS2<2:0>**: Data Selection MUX 2 Signal Selection bits

- 000 = CLCINB Pad
- 001 = CLCINC Pad
- 010 = CMP1 Out
- 011 = UART1 TX Out
- 100 = ADC7 End of Conversion
- 101 = ICAP2 Event
- 110 = OCMP2 Output
- 111 = TMR3 Compare Event

bit 3 **Unimplemented:** Read as '0'

REGISTER 21-2: CLCxSEL: CLCx INPUT MUX SELECT REGISTER (CONTINUED)

bit 2-0 **DS1<2:0>**: Data Selection MUX 1 Signal Selection bits

- 000 = CLCINA Pad
- 001 = System Clock
- 010 = SOSC Clock
- 011 = LPRC Clock
- 100 = REFO2 Clock Output
- 101 = ICAP1 Event
- 110 = OCMP1 Output
- 111 = TMR2 Compare Event

REGISTER 21-3: CLCxGLS: CLCx GATE LOGIC INPUT SELECT REGISTER

Bit Range	Bit 31/23/15/7	Bit 30/22/14/6	Bit 29/21/13/5	Bit 28/20/12/4	Bit 27/19/11/3	Bit 26/18/10/2	Bit 25/17/9/1	Bit 24/16/8/0
31:24	R/W-0	R/W-0	R/W-0	R/W-0	R/W-0	R/W-0	R/W-0	R/W-0
	G4D4T	G4D4N	G4D3T	G4D3N	G4D2T	G4D2N	G4D1T	G4D1N
23:16	R/W-0	R/W-0	R/W-0	R/W-0	R/W-0	R/W-0	R/W-0	R/W-0
	G3D4T	G3D4N	G3D3T	G3D3N	G3D2T	G3D2N	G3D1T	G3D1N
15:8	R/W-0	R/W-0	R/W-0	R/W-0	R/W-0	R/W-0	R/W-0	R/W-0
	G2D4T	G2D4N	G2D3T	G2D3N	G2D2T	G2D2N	G2D1T	G2D1N
7:0	R/W-0	R/W-0	R/W-0	R/W-0	R/W-0	R/W-0	R/W-0	R/W-0
	G1D4T	G1D4N	G1D3T	G1D3N	G1D2T	G1D2N	G1D1T	G1D1N

Legend:

R = Readable bit
-n = Value at POR

W = Writable bit
'1' = Bit is set

U = Unimplemented bit, read as '0'
'0' = Bit is cleared
x = Bit is unknown

- bit 31 **G4D4T:** Gate 4 Data Source 4 True Enable bit
1 = The Data Source 4 signal is enabled for Gate 4
0 = The Data Source 4 signal is disabled for Gate 4
- bit 30 **G4D4N:** Gate 4 Data Source 4 Negated Enable bit
1 = The Data Source 4 inverted signal is enabled for Gate 4
0 = The Data Source 4 inverted signal is disabled for Gate 4
- bit 29 **G4D3T:** Gate 4 Data Source 3 True Enable bit
1 = The Data Source 3 signal is enabled for Gate 4
0 = The Data Source 3 signal is disabled for Gate 4
- bit 28 **G4D3N:** Gate 4 Data Source 3 Negated Enable bit
1 = The Data Source 3 inverted signal is enabled for Gate 4
0 = The Data Source 3 inverted signal is disabled for Gate 4
- bit 27 **G4D2T:** Gate 4 Data Source 2 True Enable bit
1 = The Data Source 2 signal is enabled for Gate 4
0 = The Data Source 2 signal is disabled for Gate 4
- bit 26 **G4D2N:** Gate 4 Data Source 2 Negated Enable bit
1 = The Data Source 2 inverted signal is enabled for Gate 4
0 = The Data Source 2 inverted signal is disabled for Gate 4
- bit 25 **G4D1T:** Gate 4 Data Source 1 True Enable bit
1 = The Data Source 1 signal is enabled for Gate 4
0 = The Data Source 1 signal is disabled for Gate 4
- bit 24 **G4D1N:** Gate 4 Data Source 1 Negated Enable bit
1 = The Data Source 1 inverted signal is enabled for Gate 4
0 = The Data Source 1 inverted signal is disabled for Gate 4
- bit 23 **G3D4T:** Gate 3 Data Source 4 True Enable bit
1 = The Data Source 4 signal is enabled for Gate 3
0 = The Data Source 4 signal is disabled for Gate 3
- bit 22 **G3D4N:** Gate 3 Data Source 4 Negated Enable bit
1 = The Data Source 4 inverted signal is enabled for Gate 3
0 = The Data Source 4 inverted signal is disabled for Gate 3
- bit 21 **G3D3T:** Gate 3 Data Source 3 True Enable bit
1 = The Data Source 3 signal is enabled for Gate 3
0 = The Data Source 3 signal is disabled for Gate 3

REGISTER 21-3: CLCxGLS: CLCx GATE LOGIC INPUT SELECT REGISTER (CONTINUED)

- bit 20 **G3D3N:** Gate 3 Data Source 3 Negated Enable bit
1 = The Data Source 3 inverted signal is enabled for Gate 3
0 = The Data Source 3 inverted signal is disabled for Gate 3
- bit 19 **G3D2T:** Gate 3 Data Source 2 True Enable bit
1 = The Data Source 2 signal is enabled for Gate 3
0 = The Data Source 2 signal is disabled for Gate 3
- bit 18 **G3D2N:** Gate 3 Data Source 2 Negated Enable bit
1 = The Data Source 2 inverted signal is enabled for Gate 3
0 = The Data Source 2 inverted signal is disabled for Gate 3
- bit 17 **G3D1T:** Gate 3 Data Source 1 True Enable bit
1 = The Data Source 1 signal is enabled for Gate 3
0 = The Data Source 1 signal is disabled for Gate 3
- bit 16 **G3D1N:** Gate 3 Data Source 1 Negated Enable bit
1 = The Data Source 1 inverted signal is enabled for Gate 3
0 = The Data Source 1 inverted signal is disabled for Gate 3
- bit 15 **G2D4T:** Gate 2 Data Source 4 True Enable bit
1 = The Data Source 4 signal is enabled for Gate 2
0 = The Data Source 4 signal is disabled for Gate 2
- bit 14 **G2D4N:** Gate 2 Data Source 4 Negated Enable bit
1 = The Data Source 4 inverted signal is enabled for Gate 2
0 = The Data Source 4 inverted signal is disabled for Gate 2
- bit 13 **G2D3T:** Gate 2 Data Source 3 True Enable bit
1 = The Data Source 3 signal is enabled for Gate 2
0 = The Data Source 3 signal is disabled for Gate 2
- bit 12 **G2D3N:** Gate 2 Data Source 3 Negated Enable bit
1 = The Data Source 3 inverted signal is enabled for Gate 2
0 = The Data Source 3 inverted signal is disabled for Gate 2
- bit 11 **G2D2T:** Gate 2 Data Source 2 True Enable bit
1 = The Data Source 2 signal is enabled for Gate 2
0 = The Data Source 2 signal is disabled for Gate 2
- bit 10 **G2D2N:** Gate 2 Data Source 2 Negated Enable bit
1 = The Data Source 2 inverted signal is enabled for Gate 2
0 = The Data Source 2 inverted signal is disabled for Gate 2
- bit 9 **G2D1T:** Gate 2 Data Source 1 True Enable bit
1 = The Data Source 1 signal is enabled for Gate 2
0 = The Data Source 1 signal is disabled for Gate 2
- bit 8 **G2D1N:** Gate 2 Data Source 1 Negated Enable bit
1 = The Data Source 1 inverted signal is enabled for Gate 2
0 = The Data Source 1 inverted signal is disabled for Gate 2
- bit 7 **G1D4T:** Gate 1 Data Source 4 True Enable bit
1 = The Data Source 4 signal is enabled for Gate 1
0 = The Data Source 4 signal is disabled for Gate 1
- bit 6 **G1D4N:** Gate 1 Data Source 4 Negated Enable bit
1 = The Data Source 4 inverted signal is enabled for Gate 1
0 = The Data Source 4 inverted signal is disabled for Gate 1
- bit 5 **G1D3T:** Gate 1 Data Source 3 True Enable bit
1 = The Data Source 3 signal is enabled for Gate 1
0 = The Data Source 3 signal is disabled for Gate 1
- bit 4 **G1D3N:** Gate 1 Data Source 3 Negated Enable bit
1 = The Data Source 3 inverted signal is enabled for Gate 1
0 = The Data Source 3 inverted signal is disabled for Gate 1

REGISTER 21-3: CLCxGLS: CLCx GATE LOGIC INPUT SELECT REGISTER (CONTINUED)

- bit 3 **G1D2T:** Gate 1 Data Source 2 True Enable bit
1 = The Data Source 2 signal is enabled for Gate 1
0 = The Data Source 2 signal is disabled for Gate 1
- bit 2 **G1D2N:** Gate 1 Data Source 2 Negated Enable bit
1 = The Data Source 2 inverted signal is enabled for Gate 1
0 = The Data Source 2 inverted signal is disabled for Gate 1
- bit 1 **G1D1T:** Gate 1 Data Source 1 True Enable bit
1 = The Data Source 1 signal is enabled for Gate 1
0 = The Data Source 1 signal is disabled for Gate 1
- bit 0 **G1D1N:** Gate 1 Data Source 1 Negated Enable bit
1 = The Data Source 1 inverted signal is enabled for Gate 1
0 = The Data Source 1 inverted signal is disabled for Gate 1

22.0 REAL-TIME CLOCK AND CALENDAR (RTCC)

Note: This data sheet summarizes the features of the PIC32MK MCA Family of devices. It is not intended to be a comprehensive reference source. To complement the information in this data sheet, refer to **Section 29. “Real-Time Clock and Calendar (RTCC)”** (DS60001125), which is available from the *Documentation > Reference Manual* section of the Microchip PIC32 web site (www.microchip.com/pic32).

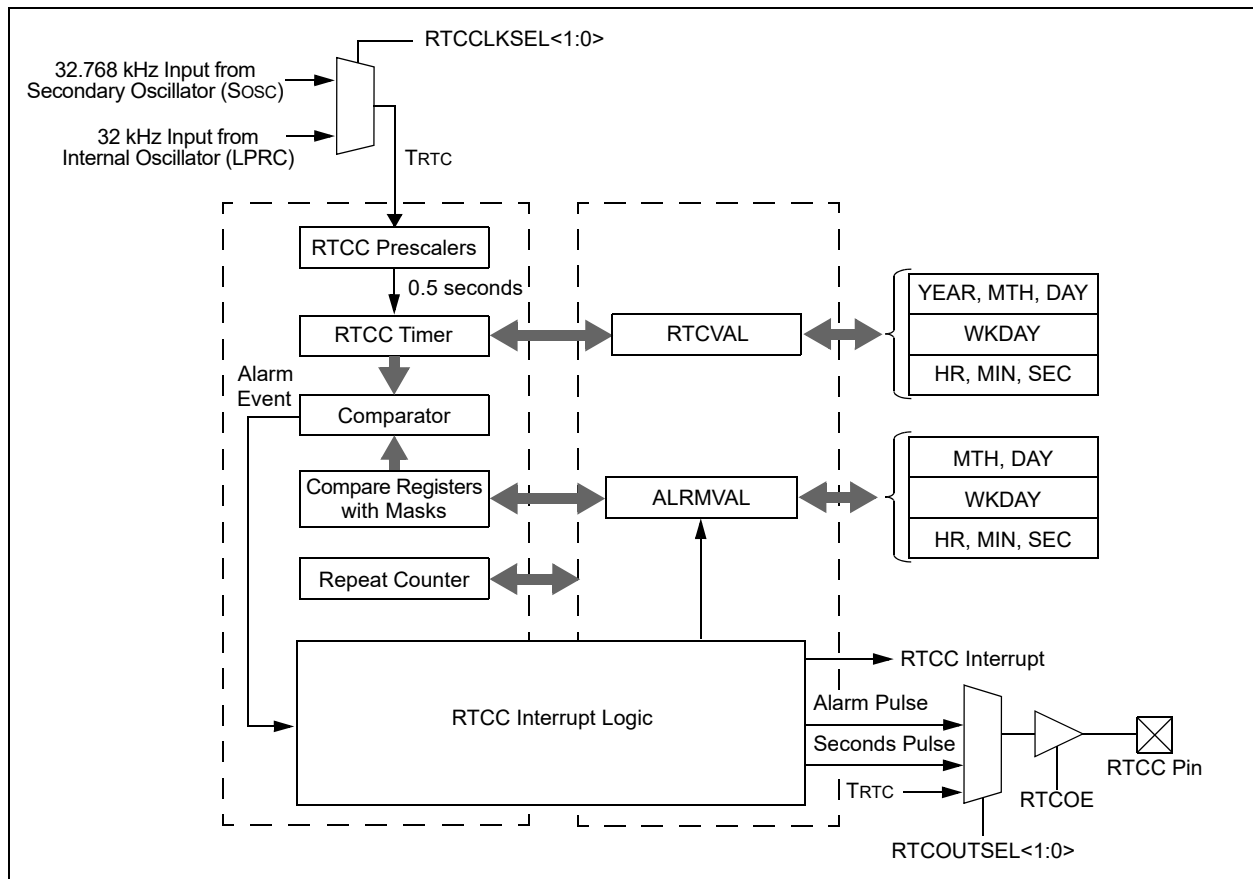
The RTCC module is intended for applications in which accurate time must be maintained for extended periods of time with minimal or no CPU intervention. Low-power optimization provides extended battery lifetime while keeping track of time.

The following are key features of the RTCC module:

- Time: hours, minutes and seconds
- 24-hour format (military time)

- Visibility of one-half second period
- Provides calendar: Weekday, date, month and year
- Alarm intervals are configurable for half of a second, one second, 10 seconds, one minute, 10 minutes, one hour, one day, one week, one month, and one year
- Alarm repeat with decremting counter
- Alarm with indefinite repeat: Chime
- Year range: 2000 to 2099
- Leap year correction
- BCD format for smaller firmware overhead
- Optimized for long-term battery operation
- Fractional second synchronization
- User calibration of the clock crystal frequency with auto-adjust
- Calibration range: ± 0.66 seconds error per month
- Calibrates up to 260 ppm of crystal error
- Uses external 32.768 kHz crystal or 32 kHz internal oscillator
- Alarm pulse, seconds clock, or internal clock output on RTCC pin

FIGURE 22-1: RTCC BLOCK DIAGRAM



22.1 RTCC Control Registers

TABLE 22-1: RTCC REGISTER MAP

Virtual Address (BF8C_#)	Register Name ⁽¹⁾	Bit Range	Bits															All Resets
			31/15	30/14	29/13	28/12	27/11	26/10	25/9	24/8	23/7	22/6	21/5	20/4	19/3	18/2	17/1	
0000	RTCCON ⁽²⁾	31:16	—	—	—	—	—	—	CAL<9:0>									0000
		15:0	ON	—	SIDL	—	—	RTCCCLKSEL<1:0>	RTCCOUTSEL<1:0>	RTCCCLKON	—	—	RTCWREN	RTCSYNC	HALFSEC	RTCOE	0000	
0010	RTCALRM	31:16	—	—	—	—	—	—	—	—	—	—	—	—	—	—	—	0000
		15:0	ALRMEN	CHIME	PIV	ALRMSYNC	AMASK<3:0>					ARPT<7:0>					0000	
0020	RTCTIME	31:16	HR10<3:0>				HR01<3:0>				MIN10<3:0>				MIN01<3:0>			xxxx
		15:0	SEC10<3:0>				SEC01<3:0>				—	—	—	—	—	—	—	—
0030	RTCDATE	31:16	YEAR10<3:0>				YEAR01<3:0>				MONTH10<3:0>				MONTH01<3:0>			xxxx
		15:0	DAY10<3:0>				DAY01<3:0>				—	—	—	—	WDAY01<3:0>			xx00
0040	ALRMTIME	31:16	HR10<3:0>				HR01<3:0>				MIN10<3:0>				MIN01<3:0>			xxxx
		15:0	SEC10<3:0>				SEC01<3:0>				—	—	—	—	—	—	—	—
0050	ALRMDATE	31:16	—	—	—	—	—	—	—	MONTH10<3:0>				MONTH01<3:0>			00xx	
		15:0	DAY10<3:0>				DAY01<3:0>				—	—	—	—	WDAY01<3:0>			xx0x

Legend: * = unknown value on Reset; — = unimplemented, read as '0'. Reset values are shown in hexadecimal.

- Note 1:** All registers in this table have corresponding CLR, SET, and INV registers at its virtual address, plus an offset of 0x4, 0x8, and 0xC, respectively. See [11.2 “CLR, SET, and INV Registers”](#) for more information.
- Note 2:** The corresponding CLR register does not exist for this register.

PIC32MK MCA Family

REGISTER 22-1: RTCCON: REAL-TIME CLOCK AND CALENDAR CONTROL REGISTER

Bit Range	Bit 31/23/15/7	Bit 30/22/14/6	Bit 29/21/13/5	Bit 28/20/12/4	Bit 27/19/11/3	Bit 26/18/10/2	Bit 25/17/9/1	Bit 24/16/8/0
31:24	U-0	U-0	U-0	U-0	U-0	U-0	R/W-0	R/W-0
	—	—	—	—	—	—	CAL<9:8>	
23:16	R/W-0	R/W-0	R/W-0	R/W-0	R/W-0	R/W-0	R/W-0	R/W-0
	CAL<7:0>							
15:8	R/W-0	U-0	R/W-0	U-0	U-0	R/W-0	R/W-0	R/W-0
	ON ⁽¹⁾	—	SIDL	—	—	RTCCLKSEL<1:0>		RTC OUTSEL<1> ⁽²⁾
7:0	R/W-0	R-0	U-0	U-0	R/W-0	R-0	R-0	R/W-0
	RTC OUTSEL<0> ⁽²⁾	RTC CLKON ⁽⁵⁾	—	—	RTC WREN ⁽³⁾	RTC SYNC	HALFSEC ⁽⁴⁾	RTC OE

Legend:

R = Readable bit W = Writable bit U = Unimplemented bit, read as '0'
 -n = Value at POR '1' = Bit is set '0' = Bit is cleared x = Bit is unknown

bit 31-26 **Unimplemented:** Read as '0'

bit 25-16 **CAL<9:0>:** Real-Time Clock Drift Calibration bits, which contain a signed 10-bit integer value

0111111111 = Maximum positive adjustment, adds 511 real-time clock pulses every one minute

•
•

0000000001 = Minimum positive adjustment, adds 1 real-time clock pulse every one minute

0000000000 = No adjustment

1111111111 = Minimum negative adjustment, subtracts 1 real-time clock pulse every one minute

•
•

1000000000 = Maximum negative adjustment, subtracts 512 real-time clock pulses every one minute

bit 15 **ON:** RTCC On bit⁽¹⁾

1 = RTCC module is enabled

0 = RTCC module is disabled

bit 14 **Unimplemented:** Read as '0'

bit 13 **SIDL:** Stop in Idle Mode bit

1 = Disables RTCC operation when CPU enters Idle mode

0 = Continue normal operation when CPU enters Idle mode

bit 12-11 **Unimplemented:** Read as '0'

Note 1: The ON bit is only writable after RTCWREN = 1.

2: Requires RTCOE = 1 (RTCCON<0>) for the output to be active.

3: The RTCWREN bit can be set only when the write sequence is enabled.

4: This bit is read-only. It is cleared to '0' on a write to the seconds bit fields (RTCTIME<14:8>).

5: This bit is undefined when RTCCLKSEL<1:0> = 00 (LPRC is the clock source).

Note: This register is reset only on a POR.

PIC32MK MCA Family

REGISTER 22-1: RTCCON: REAL-TIME CLOCK AND CALENDAR CONTROL REGISTER

bit 10-9 **RTCCLKSEL<1:0>**: RTCC Clock Select bits

When a new value is written to these bits, the Seconds Value register should also be written to properly reset the clock prescalers in the RTCC.

11 = Reserved

10 = Reserved

01 = RTCC uses the external 32.768 kHz Secondary Oscillator (SOSC)

00 = RTCC uses the internal 32 kHz oscillator (LPRC)

bit 8-7 **RTCOUTSEL<1:0>**: RTCC Output Data Select bits⁽²⁾

11 = Reserved

10 = RTCC Clock is presented on the RTCC pin

01 = Seconds Clock is presented on the RTCC pin

00 = Alarm Pulse is presented on the RTCC pin when the alarm interrupt is triggered

bit 6 **RTCCLKON**: RTCC Clock Enable Status bit⁽⁵⁾

1 = RTCC Clock is actively running

0 = RTCC Clock is not running

bit 5-4 **Unimplemented**: Read as '0'

bit 3 **RTCWREN**: Real-Time Clock Value Registers Write Enable bit⁽³⁾

1 = Real-Time Clock Value registers can be written to by the user

0 = Real-Time Clock Value registers are locked out from being written to by the user

bit 2 **RTCSYNC**: Real-Time Clock Value Registers Read Synchronization bit

1 = Real-time clock value registers can change while reading (due to a rollover ripple that results in an invalid data read). If the register is read twice and results in the same data, the data can be assumed to be valid.

0 = Real-time clock value registers can be read without concern about a rollover ripple

bit 1 **HALFSEC**: Half-Second Status bit⁽⁴⁾

1 = Second half period of a second

0 = First half period of a second

bit 0 **RTC OE**: RTCC Output Enable bit

1 = RTCC output is enabled

0 = RTCC output is not enabled

Note 1: The ON bit is only writable after RTCWREN = 1.

2: Requires RTCOE = 1 (RTCCON<0>) for the output to be active.

3: The RTCWREN bit can be set only when the write sequence is enabled.

4: This bit is read-only. It is cleared to '0' on a write to the seconds bit fields (RTCTIME<14:8>).

5: This bit is undefined when RTCCLKSEL<1:0> = 00 (LPRC is the clock source).

Note: This register is reset only on a POR.

PIC32MK MCA Family

REGISTER 22-2: RTCALRM: REAL-TIME CLOCK ALARM CONTROL REGISTER

Bit Range	Bit 31/23/15/7	Bit 30/22/14/6	Bit 29/21/13/5	Bit 28/20/12/4	Bit 27/19/11/3	Bit 26/18/10/2	Bit 25/17/9/1	Bit 24/16/8/0
31:24	U-0	U-0	U-0	U-0	U-0	U-0	U-0	U-0
	—	—	—	—	—	—	—	—
23:16	U-0	U-0	U-0	U-0	U-0	U-0	U-0	U-0
	—	—	—	—	—	—	—	—
15:8	R/W-0	R/W-0	R/W-0	R-0	R/W-0	R/W-0	R/W-0	R/W-0
	ALRMEN ^(1,2)	CHIME ⁽²⁾	PIV ⁽²⁾	ALRMSYNC	AMASK<3:0> ⁽²⁾			
7:0	R/W-0	R/W-0	R/W-0	R/W-0	R/W-0	R/W-0	R/W-0	R/W-0
	ARPT<7:0> ⁽²⁾							

Legend:

R = Readable bit W = Writable bit U = Unimplemented bit, read as '0'
 -n = Value at POR '1' = Bit is set '0' = Bit is cleared x = Bit is unknown

bit 31-16 **Unimplemented:** Read as '0'

bit 15 **ALRMEN:** Alarm Enable bit^(1,2)
 1 = Alarm is enabled
 0 = Alarm is disabled

bit 14 **CHIME:** Chime Enable bit⁽²⁾
 1 = Chime is enabled – ARPT<7:0> is allowed to rollover from 0x00 to 0xFF
 0 = Chime is disabled – ARPT<7:0> stops once it reaches 0x00

bit 13 **PIV:** Alarm Pulse Initial Value bit⁽²⁾
 When ALRMEN = 0, PIV is writable and determines the initial value of the Alarm Pulse.
 When ALRMEN = 1, PIV is read-only and returns the state of the Alarm Pulse.

bit 12 **ALRMSYNC:** Alarm Sync bit
 1 = ARPT<7:0> and ALRMEN may change as a result of a half second rollover during a read.
 The ARPT must be read repeatedly until the same value is read twice. This must be done since multiple bits may be changing.
 0 = ARPT<7:0> and ALRMEN can be read without concerns of rollover because the prescaler is more than 32 real-time clocks away from a half-second rollover

bit 11-8 **AMASK<3:0>:** Alarm Mask Configuration bits⁽²⁾
 0000 = Every half-second
 0001 = Every second
 0010 = Every 10 seconds
 0011 = Every minute
 0100 = Every 10 minutes
 0101 = Every hour
 0110 = Once a day
 0111 = Once a week
 1000 = Once a month
 1001 = Once a year (except when configured for February 29, once every four years)
 1010 = Reserved
 1011 = Reserved
 11xx = Reserved

- Note 1:** Hardware clears the ALRMEN bit anytime the alarm event occurs, when ARPT<7:0> = 00 and CHIME = 0.
2: This field should not be written when the RTCC ON bit = '1' (RTCCON<15>) and ALRMSYNC = 1.

Note: The RTCALRM register is reset on a MCLR or Power-on Reset (POR).

PIC32MK MCA Family

REGISTER 22-2: RTCALRM: REAL-TIME CLOCK ALARM CONTROL REGISTER (CONTINUED)

bit 7-0 **ARPT<7:0>**: Alarm Repeat Counter Value bits⁽²⁾

11111111 = Alarm will trigger 256 times

.

.

00000000 = Alarm will trigger one time

The counter decrements on any alarm event. The counter only rolls over from 0x00 to 0xFF if CHIME = 1.

Note 1: Hardware clears the ALRMEN bit anytime the alarm event occurs, when ARPT<7:0> = 00 and CHIME = 0.

2: This field should not be written when the RTCC ON bit = '1' (RTCCON<15>) and ALRMSYNC = 1.

Note: The RTCALRM register is reset on a MCLR or Power-on Reset (POR).

PIC32MK MCA Family

REGISTER 22-3: RTCTIME: REAL-TIME CLOCK TIME VALUE REGISTER

Bit Range	Bit 31/23/15/7	Bit 30/22/14/6	Bit 29/21/13/5	Bit 28/20/12/4	Bit 27/19/11/3	Bit 26/18/10/2	Bit 25/17/9/1	Bit 24/16/8/0
31:24	R/W-x	R/W-x	R/W-x	R/W-x	R/W-x	R/W-x	R/W-x	R/W-x
	HR10<3:0>				HR01<3:0>			
23:16	R/W-x	R/W-x	R/W-x	R/W-x	R/W-x	R/W-x	R/W-x	R/W-x
	MIN10<3:0>				MIN01<3:0>			
15:8	R/W-x	R/W-x	R/W-x	R/W-x	R/W-x	R/W-x	R/W-x	R/W-x
	SEC10<3:0>				SEC01<3:0>			
7:0	U-0	U-0	U-0	U-0	U-0	U-0	U-0	U-0
	—	—	—	—	—	—	—	—

Legend:

R = Readable bit

W = Writable bit

U = Unimplemented bit, read as '0'

-n = Value at POR

'1' = Bit is set

'0' = Bit is cleared

x = Bit is unknown

bit 31-28 **HR10<3:0>**: Binary-Coded Decimal Value of Hours bits, 10 digits; contains a value from 0 to 2

bit 27-24 **HR01<3:0>**: Binary-Coded Decimal Value of Hours bits, 1 digit; contains a value from 0 to 9

bit 23-20 **MIN10<3:0>**: Binary-Coded Decimal Value of Minutes bits, 10 digits; contains a value from 0 to 5

bit 19-16 **MIN01<3:0>**: Binary-Coded Decimal Value of Minutes bits, 1 digit; contains a value from 0 to 9

bit 15-12 **SEC10<3:0>**: Binary-Coded Decimal Value of Seconds bits, 10 digits; contains a value from 0 to 5

bit 11-8 **SEC01<3:0>**: Binary-Coded Decimal Value of Seconds bits, 1 digit; contains a value from 0 to 9

bit 7-0 **Unimplemented**: Read as '0'

Note: This register is only writable when RTCWREN = 1 (RTCCON<3>).

PIC32MK MCA Family

REGISTER 22-6: ALRMDATE: ALARM DATE VALUE REGISTER

Bit Range	Bit 31/23/15/7	Bit 30/22/14/6	Bit 29/21/13/5	Bit 28/20/12/4	Bit 27/19/11/3	Bit 26/18/10/2	Bit 25/17/9/1	Bit 24/16/8/0
31:24	U-0	U-0	U-0	U-0	U-0	U-0	U-0	U-0
	—	—	—	—	—	—	—	—
23:16	R/W-x	R/W-x	R/W-x	R/W-x	R/W-x	R/W-x	R/W-x	R/W-x
	MONTH10<3:0>				MONTH01<3:0>			
15:8	R/W-x	R/W-x	R/W-x	R/W-x	R/W-x	R/W-x	R/W-x	R/W-x
	DAY10<1:0>				DAY01<3:0>			
7:0	U-0	U-0	U-0	U-0	R/W-x	R/W-x	R/W-x	R/W-x
	—	—	—	—	WDAY01<3:0>			

Legend:

R = Readable bit

W = Writable bit

U = Unimplemented bit, read as '0'

-n = Value at POR

'1' = Bit is set

'0' = Bit is cleared

x = Bit is unknown

bit 31-24 **Unimplemented:** Read as '0'

bit 23-20 **MONTH10<3:0>**: Binary Coded Decimal value of months bits, 10 digits; contains a value from 0 to 1

bit 19-16 **MONTH01<3:0>**: Binary Coded Decimal value of months bits, 1 digit; contains a value from 0 to 9

bit 15-12 **DAY10<3:0>**: Binary Coded Decimal value of days bits, 10 digits; contains a value from 0 to 3

bit 11-8 **DAY01<3:0>**: Binary Coded Decimal value of days bits, 1 digit; contains a value from 0 to 9

bit 7-4 **Unimplemented:** Read as '0'

bit 3-0 **WDAY01<3:0>**: Binary Coded Decimal value of weekdays bits, 1 digit; contains a value from 0 to 6

23.0 12-BIT HIGH-SPEED SUCCESSIVE APPROXIMATION REGISTER (SAR) ANALOG-TO-DIGITAL CONVERTER (ADC)

Note: This data sheet summarizes the features of the PIC32MK MCA Family of devices. It is not intended to be a comprehensive reference source. To complement the information in this data sheet, refer to **Section 22. “12-bit High-Speed Successive Approximation Register (SAR) Analog-to-Digital Converter (ADC)”** (DS60001344) in the “*PIC32 Family Reference Manual*”, which is available from the Microchip web site (www.microchip.com/PIC32).

The 12-bit High-Speed Successive Approximation Register (SAR) analog-to-digital converter (ADC) includes the following features:

- 12-bit resolution
- Three ADC modules with dedicated Sample and Hold (S&H) circuits
- Up to 18 analog input sources, in addition to the internal CTMU, internal voltage reference and internal temperature sensor
- Single-ended and/or differential inputs
- Supports touch sense applications
- Two digital comparators
- Two digital filters supporting two modes:
 - Oversampling mode
 - Averaging mode
- Early interrupt generation resulting in faster processing of converted data
- Designed for power conversion and general purpose applications
- Operation during Sleep and Idle modes

A simplified block diagram of the ADC module is illustrated in [Figure 23-1](#).

The 12-bit HS SAR ADC has up to two dedicated ADC modules (ADC0-ADC1) and one shared ADC module (ADC7). The dedicated ADC modules use a single input (or its alternate) and are intended for high-speed and precise sampling of time-sensitive or transient inputs. The shared ADC module incorporates a multiplexer on the input to facilitate a larger group of inputs, with slower sampling, and provides flexible automated scanning option through the input scan logic.

For each ADC module, the analog inputs are connected to the S&H capacitor. The clock, sampling time, and output data resolution for each ADC module can be set independently. The ADC module performs the conversion of the input analog signal based on the configurations set in the registers. When conversion is complete, the final result is stored in the result buffer for the specific analog input and is passed to the digital filter and digital comparator if configured to use data from this particular sample. Input to ADCx mapping is illustrated in [Figure 23-2](#).

23.1 Activation Sequence

The following ADCx activation sequence is to be followed at all times:

Step 1: Initialize the ADC calibration values by copying them from the factory programmed DEVADCx Flash locations starting at 0xBF45000 into the ADCxCFG registers starting at 0xBF887D00, respectively.

Then, configure the AICMPEN bit (ADCCON1<12> and the IOANCPEN bit (CFGCON<7>) = 1 if and only if VDD is less than 2.5V. The default is '0', which assumes VDD is greater than or equal to 2.5V.

Step 2: The user writes all the essential ADC configuration SFRs including the ADC control clock and all ADC core clocks setup:

- ADCCON1, keeping the ON bit = 0
- ADCCON2, especially paying attention to ADCDIV<6:0> and SAMC<9:0>
- ADCANCON, keeping all analog enables ANENx bit = 0, WKUPCLKCNT bit = 0xA
- ADCCON3, keeping all DIGEN5x = 0, especially paying attention to ADCSEL<1:0>, CONCLKDIV<5:0>, and VREFSEL<2:0>
- ADCxTIME, ADCDIVx<6:0>, and SAMCx<9:0>
- ADCTRGMODE, ADCIMCONx, ADCTRGSNS, ADCCSSx, ADCGIRQENx, ADCTRGx, ADCBASE
- Comparators, Filters, etc.

Step 3: The user sets the ANENx bit to '1' for the ADC SAR Cores needed (which internally in the ADC module enables the control clock to generate by division the core clocks for the desired ADC SAR Cores, which in turn enables the bias circuitry for these ADC SAR Cores).

Step 4: The user sets the ON bit to '1', which enables the ADC control clock.

Step 5: The user waits for the interrupt/polls the BGVRDY bit (ADCCON2<31>) and the WKRDYx bit (ADCANCON<15,13:8>) = 1, which signals that the device analog environment (band gap and VREF) is ready.

Step 6: Set the DIGENx bit (ADCCON3<15,13:8>) to '1', which enables the digital circuitry to immediately begin processing incoming triggers to perform data conversions.

PIC32MK MCA Family

Note: For the best optimized CPU and ISR performance the user should refer to [Table 7-1](#). The CPU interrupt latency is ~30 SYSCLK cycles if no other interrupts are pending. If not using ADC DMA and the ADC combined sum throughput rate of all the ADC modules in use is greater than $(\text{SYSCLK} / 43) = 2.8 \text{ Msps}$, it is recommended to use the ADC CPU early interrupt generation, defined in the ADCxTIME and ADCEIENx registers. This will reduce the probability of the ADC results being overwritten by the next conversion before the CPU can read the previous ADC result(s).
Do not use the early interrupts if using the ADC in the DMA module.

Do not activate ADC trigger sources until ADC has been completely initialized, enabled, and warm up time complete.

Note: If using ADC DMA, ADC source clock must be SYSCLK only.

Non-interleaved Dedicated Class_1 ADCx Throughput rate:

$$= 1 / ((\text{Sample time} + \text{Conversion time})(\text{TAD}))$$

$$= 1 / ((\text{SAMC} + \# \text{ bit resolution} + 1)(\text{TAD}))$$

For example, SAMC = 3 TAD, 12-bit mode, TAD = 16.667 ns = 60 MHz

Throughput rate:

$$= 1 / ((3 + 12 + 1)(16.667 \text{ ns}))$$

$$= 1 / (16 * 16.667 \text{ ns})$$

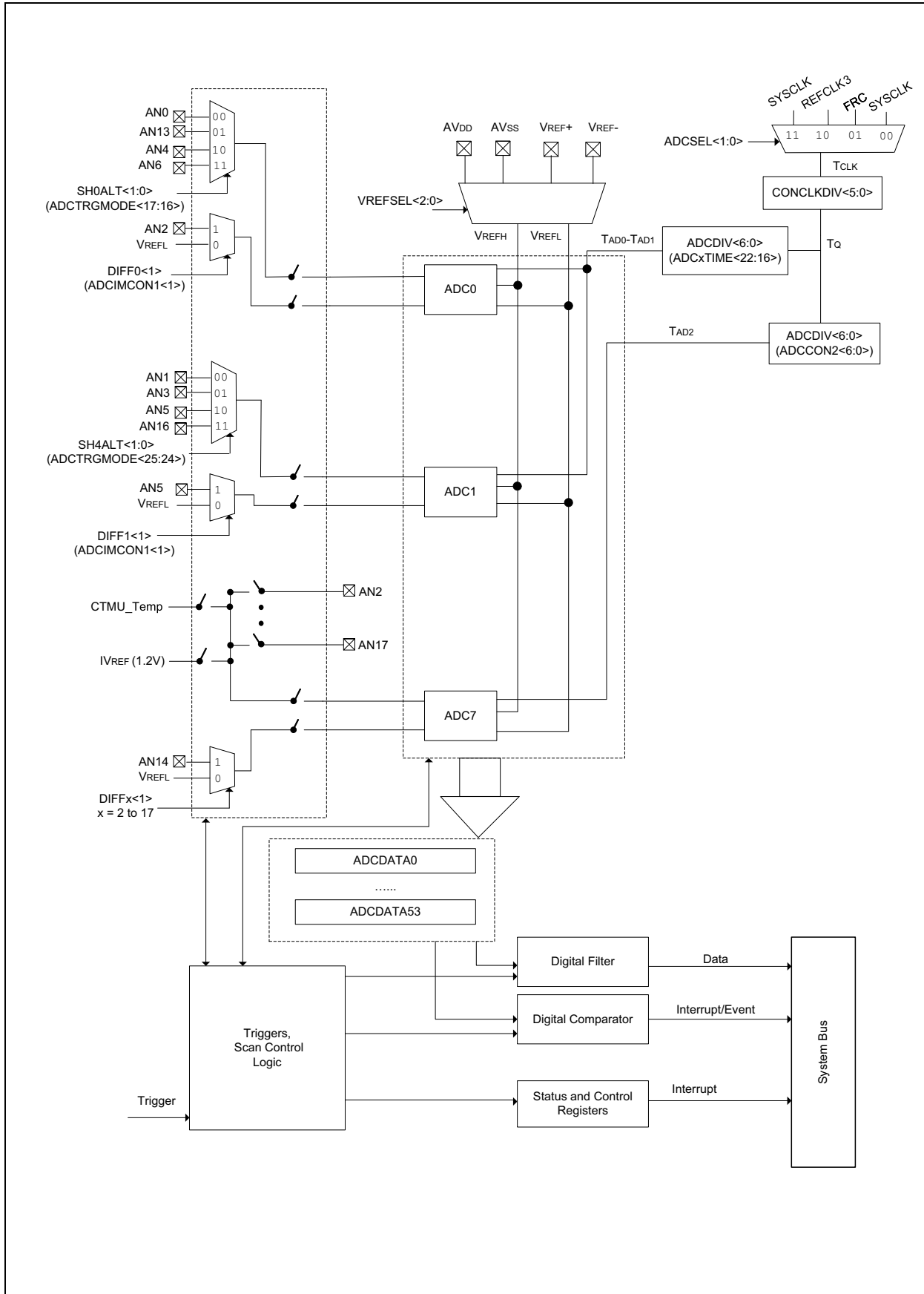
$$= 3.75 \text{ msp}$$

TABLE 23-1: PIC32MKXXX BASED ON 60 MHZ TAD CLOCK (16.667 ns)

Number of Interleaved ADCs Used	12-bit (Max) Msps	10-bit (Max) Msps	8-bit (Max) Msps	6-bit (Max) Msps
1	3.75	4.286	5.0	6.0
2	7.50	8.571	10.00	12.00

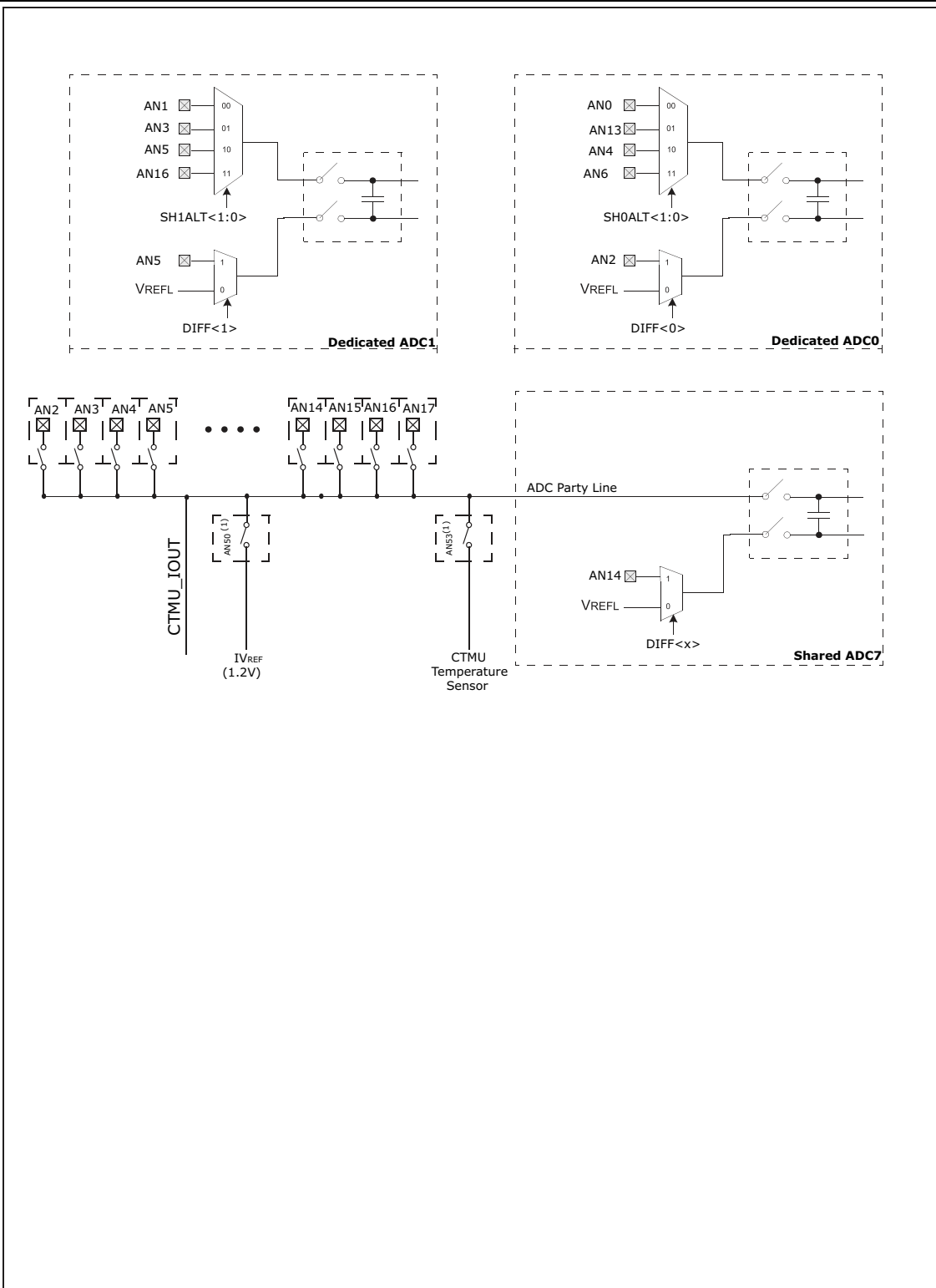
Note 1: Interleaved ADCs in this context means connecting the same analog source signal to multiple dedicated Class_1 ADCs (that is, ADC0-ADC1), and using independent staggered trigger sources accordingly for each interleaved ADC.

FIGURE 23-1: ADC BLOCK DIAGRAM



PIC32MK MCA Family

FIGURE 23-2: S&H BLOCK DIAGRAM



Note 1: AN50 and AN53 are internal analog input sources.

23.2 ADC Control Registers

TABLE 23-2: ADC REGISTER MAP

Virtual Address	Register Name	Bit Range	Bits															All Resets								
			31/15	30/14	29/13	28/12	27/11	26/10	25/9	24/8	23/7	22/6	21/5	20/4	19/3	18/2	17/1		16/0							
7000	ADCCON1	31:16	—	—	—	—	—	—	—	—	—	—	—	—	—	—	—	—	FRACT	SELRES<1:0>	STRGSRC<4:0>			0600		
		15:0	ON	—	SIDL	AICMP-DEN	CVDEN	FSSCLKEN	FSPBCLKEN	—	—	—	—	—	—	—	—	—	—	—	—	IRQVS<2:0>	STRGLVL	—	—	—
7010	ADCCON2	31:16	BGVRDY	REFFLT	EOSRDY	—	—	—	—	—	—	—	—	—	—	—	—	—	—	—	—	—	—	—	—	0000
		15:0	BGVRIEN	REFFLTIEN	EOSIEN	ADCEIOVR	—	—	—	—	—	—	—	—	—	—	—	—	—	—	—	—	—	—	—	—
7020	ADCCON3	31:16	ADCSEL<1:0>			CONCLKDIV<5:0>					DIGEN2	—	—	—	—	—	—	—	—	—	—	—	DIGEN1	DIGEN0	0000	
		15:0	VREFSEL<2:0>			TRGSUSP	UPDIEN	UPDRDY	SAMP	RQCNVRT	GLSWTRG	GSWTRG	—	—	—	—	—	—	—	—	—	—	—	—	—	0000
7030	ADCTRMODE	31:16	—	—	—	—	—	—	—	—	—	—	—	—	—	—	—	—	—	—	—	—	—	—	—	0000
		15:0	—	—	—	—	—	—	—	—	—	—	—	—	—	—	—	—	—	—	—	—	—	—	—	0000
7040	ADCCON1	31:16	DIFF15	SIGN15	DIFF14 ⁽¹⁾	SIGN14 ⁽¹⁾	DIFF13	SIGN13	DIFF12 ⁽⁴⁾	SIGN12 ⁽⁴⁾	DIFF11 ⁽¹⁾	SIGN11 ⁽¹⁾	DIFF10 ⁽¹⁾	SIGN10 ⁽¹⁾	DIFF9 ⁽⁴⁾	SIGN9 ⁽⁴⁾	DIFF8 ⁽¹⁾	SIGN8 ⁽¹⁾	—	—	—	—	—	—	—	0000
		15:0	DIFF7 ⁽¹⁾	SIGN7 ⁽¹⁾	DIFF6 ⁽¹⁾	SIGN6 ⁽¹⁾	DIFF5	SIGN5	DIFF4	SIGN4	DIFF3	SIGN3	DIFF2	SIGN2	DIFF1	SIGN1	DIFF0	SIGN0	—	—	—	—	—	—	—	0000
7050	ADCCON2	31:16	—	—	—	—	—	—	—	—	—	—	—	—	—	—	—	—	—	—	—	—	—	—	—	0000
		15:0	—	—	—	—	—	—	—	—	—	—	—	—	—	—	—	—	—	—	—	—	—	—	—	0000
7080	ADCGIRQEN1	31:16	—	—	—	—	—	—	—	—	—	—	—	—	—	—	—	—	—	—	—	—	—	—	—	0000
		15:0	AGIEN15	AGIEN14 ⁽¹⁾	AGIEN13	AGIEN12 ⁽⁴⁾	AGIEN11 ⁽¹⁾	AGIEN10 ⁽¹⁾	AGIEN9 ⁽⁴⁾	AGIEN8 ⁽¹⁾	AGIEN7 ⁽¹⁾	AGIEN6 ⁽¹⁾	AGIEN5	AGIEN4	AGIEN3	AGIEN2	AGIEN1	AGIEN0	—	—	—	—	—	—	—	0000
7090	ADCGIRQEN2	31:16	—	—	—	—	—	—	—	—	—	—	—	—	—	—	—	—	—	—	—	—	—	—	—	0000
		15:0	—	—	—	—	—	—	—	—	—	—	—	—	—	—	—	—	—	—	—	—	—	—	—	0000
70A0	ADCCSS1	31:16	—	—	—	—	—	—	—	—	—	—	—	—	—	—	—	—	—	—	—	—	—	—	—	0000
		15:0	CSS15	CSS14 ⁽¹⁾	CSS13	CSS12 ⁽⁴⁾	CSS11 ⁽¹⁾	CSS10 ⁽¹⁾	CSS9 ⁽⁴⁾	CSS8 ⁽¹⁾	CSS7 ⁽¹⁾	CSS6 ⁽¹⁾	CSS5	CSS4	CSS3	CSS2	CSS1	CSS0	—	—	—	—	—	—	—	0000
70B0	ADCCSS2	31:16	—	—	—	—	—	—	—	—	—	—	—	—	—	—	—	—	—	—	—	—	—	—	—	0000
		15:0	—	—	—	—	—	—	—	—	—	—	—	—	—	—	—	—	—	—	—	—	—	—	—	0000
70C0	ADCDSTAT1	31:16	—	—	—	—	—	—	—	—	—	—	—	—	—	—	—	—	—	—	—	—	—	—	—	0000
		15:0	ARDY15	ARDY14 ⁽¹⁾	ARDY13	ARDY12 ⁽⁴⁾	ARDY11 ⁽¹⁾	ARDY10 ⁽¹⁾	ARDY9 ⁽⁴⁾	ARDY8 ⁽¹⁾	ARDY7 ⁽¹⁾	ARDY6 ⁽¹⁾	ARDY5	ARDY4	ARDY3	ARDY2	ARDY1	ARDY0	—	—	—	—	—	—	—	0000
70D0	ADCDSTAT2	31:16	—	—	—	—	—	—	—	—	—	—	—	—	—	—	—	—	—	—	—	—	—	—	—	0000
		15:0	—	—	—	—	—	—	—	—	—	—	—	—	—	—	—	—	—	—	—	—	—	—	—	0000
70E0	ADCCMPEN1	31:16	—	—	—	—	—	—	—	—	—	—	—	—	—	—	—	—	—	—	—	—	—	—	—	0000
		15:0	CMPE15	CMPE14 ⁽¹⁾	CMPE13	CMPE12 ⁽⁴⁾	CMPE11 ⁽¹⁾	CMPE10 ⁽¹⁾	CMPE9 ⁽⁴⁾	CMPE8 ⁽¹⁾	CMPE7 ⁽¹⁾	CMPE6 ⁽¹⁾	CMPE5	CMPE4	CMPE3	CMPE2	CMPE1	CMPE0	—	—	—	—	—	—	—	0000
70F0	ADCCMP1	31:16	DCMPHI<15:0>															0000								
		15:0	DCMPLO<15:0>															0000								
7100	ADCCMPEN2	31:16	—	—	—	—	—	—	—	—	—	—	—	—	—	—	—	—	—	—	—	—	—	—	—	0000
		15:0	CMPE15	CMPE14 ⁽¹⁾	CMPE13	CMPE12 ⁽⁴⁾	CMPE11 ⁽¹⁾	CMPE10 ⁽¹⁾	CMPE9 ⁽⁴⁾	CMPE8 ⁽¹⁾	CMPE7 ⁽¹⁾	CMPE6 ⁽¹⁾	CMPE5	CMPE4	CMPE3	CMPE2	CMPE1	CMPE0	—	—	—	—	—	—	—	0000

Note

- 1: This bit or register is not available on 32 and 28-pin devices.
- 2: These register bits are for internal ADC input sources (i.e., IVREF, and CTMU Temperature Sensor).
- 3: Before enabling the ADC, the user application must initialize the ADC calibration values by copying them from the factory programmed DEVADCx Flash locations starting at 0xBFC45000 into the ADCxCFG registers starting at 0xBF887D00, respectively.
- 4: This bit or register is not available on 28 pin devices.

TABLE 23-2: ADC REGISTER MAP (CONTINUED)

Virtual Address	Register Name	Bit Range	Bits															All Resets	
			31/15	30/14	29/13	28/12	27/11	26/10	25/9	24/8	23/7	22/6	21/5	20/4	19/3	18/2	17/1		16/0
7110	ADCCMP2	31:16	DCMPHI<15:0>															0000	
		15:0	DCMPLO<15:0>															0000	
71A0	ADCFLTR1	31:16	AFEN	DATA16EN	DFMODE	OVSAM<2:0>			AFGIEN	AFRDY	—	—	—	CHNLID<4:0>				0000	
		15:0	FLTRDATA<15:0>															0000	
71B0	ADCFLTR2	31:16	AFEN	DATA16EN	DFMODE	OVSAM<2:0>			AFGIEN	AFRDY	—	—	—	CHNLID<4:0>				0000	
		15:0	FLTRDATA<15:0>															0000	
7200	ADCTRG1	31:16	—	—	—	TRGSRC3<4:0>				—	—	—	TRGSRC2<4:0>				0000		
		15:0	—	—	—	TRGSRC1<4:0>				—	—	—	TRGSRC0<4:0>				0000		
7210	ADCTRG2	31:16	—	—	—	TRGSRC7<4:0> ⁽¹⁾				—	—	—	TRGSRC6<4:0> ⁽¹⁾				0000		
		15:0	—	—	—	TRGSRC5<4:0>				—	—	—	TRGSRC4<4:0>				0000		
7220	ADCTRG3	31:16	—	—	—	TRGSRC11<4:0> ⁽¹⁾				—	—	—	TRGSRC10<4:0> ⁽¹⁾				0000		
		15:0	—	—	—	TRGSRC9<4:0> ⁽⁴⁾				—	—	—	TRGSRC8<4:0> ⁽¹⁾				0000		
7230	ADCTRG4	31:16	—	—	—	TRGSRC15<4:0>				—	—	—	TRGSRC14<4:0> ⁽¹⁾				0000		
		15:0	—	—	—	TRGSRC13<4:0>				—	—	—	TRGSRC12<4:0> ⁽⁴⁾				0000		
7240	ADCTRG5	31:16	—	—	—	—	—	—	—	—	—	—	—	—	—	—	—	0000	
		15:0	—	—	—	TRGSRC17<4:0>				—	—	—	TRGSRC16<4:0>				0000		
7280	ADCCMPCON1	31:16	—	—	—	—	—	—	—	—	—	—	—	—	—	—	—	0000	
		15:0	—	—	AINID<5:0>				ENDCMP	DCMPGIEN	DCMPED	IEBTWN	IEHIHI	IEHILO	IELOHI	IELOLO	0000		
7290	ADCCMPCON2	31:16	—	—	—	—	—	—	—	—	—	—	—	—	—	—	—	0000	
		15:0	—	—	AINID<4:0>				ENDCMP	DCMPGIEN	DCMPED	IEBTWN	IEHIHI	IEHILO	IELOHI	IELOLO	0000		
7300	ADCBASE	31:16	—	—	—	—	—	—	—	—	—	—	—	—	—	—	—	0000	
		15:0	ADCBASE<15:0>															0000	
7310	ADCDSTAT	31:16	DMAEN	—	—	—	—	—	RBFIE1	RBFIE0	WOVRR	—	—	—	—	—	RBF1	RBF0	0000
		15:0	DMACEN	—	—	—	—	—	RAFIEN1	RAFIEN0	—	—	—	—	—	—	RAF1	RAF0	0000
7320	ADCCNTB	31:16	ADCCNTB<31:16>															0000	
		15:0	ADCCNTB<15:0>															0000	
7330	ADCDMAB	31:16	ADCDMAB<31:16>															0000	
		15:0	ADCDMAB<15:0>															0000	
7340	ADCTRGSNS	31:16	—	—	—	—	—	—	—	—	—	—	—	—	—	LVL17	LVL16	0000	
		15:0	LVL15	LVL14 ⁽¹⁾	LVL13	LVL12 ⁽⁴⁾	LVL11 ⁽¹⁾	LVL10 ⁽¹⁾	LVL9 ⁽⁴⁾	LVL8 ⁽¹⁾	LVL7 ⁽¹⁾	LVL6 ⁽¹⁾	LVL5	LVL4	LVL3	LVL2	LVL1	LVL0	0000
7350	ADC0TIME	31:16	—	—	—	ADCEIS<2:0>			SELRES<1:0>		BCHEN	ADCDIV<6:0>						0300	
		15:0	—	—	—	SAMC<9:0>													

- Note**
- 1: This bit or register is not available on 32 and 28-pin devices.
 - 2: These register bits are for internal ADC input sources (i.e., IVREF, and CTMU Temperature Sensor).
 - 3: Before enabling the ADC, the user application must initialize the ADC calibration values by copying them from the factory programmed DEVADCx Flash locations starting at 0xBFC45000 into the ADCxCFG registers starting at 0xBF887D00, respectively.
 - 4: This bit or register is not available on 28 pin devices.

TABLE 23-2: ADC REGISTER MAP (CONTINUED)

Virtual Address	Register Name	Bit Range	Bits															All Resets	
			31/15	30/14	29/13	28/12	27/11	26/10	25/9	24/8	23/7	22/6	21/5	20/4	19/3	18/2	17/1		16/0
7360	ADC1TIME	31:16	—	—	—	ADCEIS<2:0>			SELRES<1:0>			BCHEN	ADCDIV<6:0>						0300
		15:0	—	—	—	—	—	—	SAMC<9:0>									0000	
73C0	ADCEIEN1	31:16	—	—	—	—	—	—	—	—	—	—	—	—	—	—	EIEN17	EIEN16	0000
		15:0	EIEN15	EIEN14 ⁽¹⁾	EIEN13	EIEN12 ⁽⁴⁾	EIEN11 ⁽¹⁾	EIEN10 ⁽¹⁾	EIEN9 ⁽⁴⁾	EIEN8 ⁽¹⁾	EIEN7 ⁽¹⁾	EIEN6 ⁽¹⁾	EIEN5	EIEN4	EIEN3	EIEN2	EIEN1	EIEN0	0000
73D0	ADCEIEN2	31:16	—	—	—	—	—	—	—	—	—	—	EIEN53	—	—	EIEN50	—	—	0000
		15:0	—	—	—	—	—	—	—	—	—	—	—	—	—	—	—	—	0000
73E0	ADCEISTAT1	31:16	—	—	—	—	—	—	—	—	—	—	—	—	—	—	EIRDY17	EIRDY16	0000
		15:0	EIRDY15	EIRDY14 ⁽¹⁾	EIRDY13	EIRDY12 ⁽⁴⁾	EIRDY11 ⁽¹⁾	EIRDY10 ⁽¹⁾	EIRDY9 ⁽⁴⁾	EIRDY8 ⁽¹⁾	EIRDY7 ⁽¹⁾	EIRDY6 ⁽¹⁾	EIRDY5	EIRDY4	EIRDY3	EIRDY2	EIRDY1	EIRDY0	0000
73F0	ADCEISTAT2	31:16	—	—	—	—	—	—	—	—	—	EIRDY53	—	—	EIRDY50	—	—	0000	
		15:0	—	—	—	—	—	—	—	—	—	—	—	—	—	—	—	—	0000
7400	ADCANCON	31:16	—	—	—	—	WKUPCLKCNT<3:0>				WKIEN7	—	—	—	—	—	WKIEN1	WKIEN0	0000
		15:0	WKRDY7	—	—	—	—	—	—	WKRDY1	WKRDY0	ANEN7	—	—	—	—	—	ANEN1	ANEN0
7600	ADCDATA0	31:16	DATA<31:16>															0000	
		15:0	DATA<15:0>															0000	
7610	ADCDATA1	31:16	DATA<31:16>															0000	
		15:0	DATA<15:0>															0000	
7620	ADCDATA2	31:16	DATA<31:16>															0000	
		15:0	DATA<15:0>															0000	
7630	ADCDATA3	31:16	DATA<31:16>															0000	
		15:0	DATA<15:0>															0000	
7640	ADCDATA4	31:16	DATA<31:16>															0000	
		15:0	DATA<15:0>															0000	
7650	ADCDATA5	31:16	DATA<31:16>															0000	
		15:0	DATA<15:0>															0000	
7660	ADCDATA6 ⁽¹⁾	31:16	DATA<31:16>															0000	
		15:0	DATA<15:0>															0000	
7670	ADCDATA7 ⁽¹⁾	31:16	DATA<31:16>															0000	
		15:0	DATA<15:0>															0000	
7680	ADCDATA8 ⁽¹⁾	31:16	DATA<31:16>															0000	
		15:0	DATA<15:0>															0000	
7690	ADCDATA9 ⁽⁴⁾	31:16	DATA<31:16>															0000	
		15:0	DATA<15:0>															0000	

- Note**
- 1: This bit or register is not available on 32 and 28-pin devices.
 - 2: These register bits are for internal ADC input sources (i.e., IVREF, and CTMU Temperature Sensor).
 - 3: Before enabling the ADC, the user application must initialize the ADC calibration values by copying them from the factory programmed DEVADCx Flash locations starting at 0xBF87D00 into the ADCxCFG registers starting at 0xBF87D00, respectively.
 - 4: This bit or register is not available on 28 pin devices.

TABLE 23-2: ADC REGISTER MAP (CONTINUED)

Virtual Address	Register Name	Bit Range	Bits															All Resets	
			31/15	30/14	29/13	28/12	27/11	26/10	25/9	24/8	23/7	22/6	21/5	20/4	19/3	18/2	17/1		16/0
76A0	ADCDATA10 ⁽¹⁾	31:16	DATA<31:16>															0000	
		15:0	DATA<15:0>															0000	
76B0	ADCDATA11 ⁽¹⁾	31:16	DATA<31:16>															0000	
		15:0	DATA<15:0>															0000	
76C0	ADCDATA12 ⁽⁴⁾	31:16	DATA<31:16>															0000	
		15:0	DATA<15:0>															0000	
76D0	ADCDATA13	31:16	DATA<31:16>															0000	
		15:0	DATA<15:0>															0000	
76E0	ADCDATA14 ⁽¹⁾	31:16	DATA<31:16>															0000	
		15:0	DATA<15:0>															0000	
76F0	ADCDATA15	31:16	DATA<31:16>															0000	
		15:0	DATA<15:0>															0000	
7700	ADCDATA16	31:16	DATA<31:16>															0000	
		15:0	DATA<15:0>															0000	
7710	ADCDATA17	31:16	DATA<31:16>															0000	
		15:0	DATA<15:0>															0000	
7920	ADCDATA50 ⁽²⁾	31:16	DATA<31:16>															0000	
		15:0	DATA<15:0>															0000	
7950	ADCDATA53 ⁽²⁾	31:16	DATA<31:16>															0000	
		15:0	DATA<15:0>															0000	
7E00	ADCSYSCFG0	31:16	—	—	—	—	—	—	—	—	—	—	—	—	—	—	AN17	AN16	0FxF
		15:0	AN15	AN14 ⁽¹⁾	AN13	AN12 ⁽⁴⁾	AN11 ⁽¹⁾	AN10 ⁽¹⁾	AN9 ⁽⁴⁾	AN8 ⁽¹⁾	AN7 ⁽¹⁾	AN6 ⁽¹⁾	AN5	AN4	AN3	AN2	AN1	AN0	FFFF
7E10	ADCSYSCFG1	31:16	—	—	—	—	—	—	—	—	—	AN53 ⁽¹⁾	—	—	AN50 ⁽¹⁾	—	—	00xx	
		15:0	—	—	—	—	—	—	—	—	—	—	—	—	—	—	—	—	xxxx
7D00	ADC0CFG ⁽³⁾	31:16	ADCCFG<31:16>															0000	
		15:0	ADCCFG<15:0>															0000	
7D10	ADC1CFG ⁽³⁾	31:16	ADCCFG<31:16>															0000	
		15:0	ADCCFG<15:0>															0000	
7D70	ADC7CFG ⁽³⁾	31:16	ADCCFG<31:16>															0000	
		15:0	ADCCFG<15:0>															0000	

- Note**
- 1: This bit or register is not available on 32 and 28-pin devices.
 - 2: These register bits are for internal ADC input sources (i.e., IVREF, and CTMU Temperature Sensor).
 - 3: Before enabling the ADC, the user application must initialize the ADC calibration values by copying them from the factory programmed DEVADCx Flash locations starting at 0xBFC45000 into the ADCxCFG registers starting at 0xBF887D00, respectively.
 - 4: This bit or register is not available on 28 pin devices.

PIC32MK MCA Family

REGISTER 23-1: ADCCON1: ADC CONTROL REGISTER 1

Bit Range	Bit 31/23/15/7	Bit 30/22/14/6	Bit 29/21/13/5	Bit 28/20/12/4	Bit 27/19/11/3	Bit 26/18/10/2	Bit 25/17/9/1	Bit 24/16/8/0
31:24	U-0	U-0	U-0	U-0	U-0	U-0	U-0	U-0
	—	—	—	—	—	—	—	—
23:16	R/W-0	R/W-1	R/W-1	R/W-0	R/W-0	R/W-0	R/W-0	R/W-0
	FRACT	SELRES<1:0>		STRGSRC<4:0>				
15:8	R/W-0	U-0	R/W-0	U-0	U-0	R/W-0	R/W-0	U-0
	ON		SIDL	AICPMPDEN	CVDEN	FSS-CLKEN	FSPB-CLKEN	—
7:0	U-0	R/W-0	R/W-0	R/W-0	R/W-0	R/W-0	R/W-0	R/W-0
	—	IRQVS<2:0>			STRGLVL	DMABL<2:0>		

Legend: HC = Hardware Set HS = Hardware Cleared
R = Readable bit W = Writable bit U = Unimplemented bit, read as '0'
-n = Value at POR '1' = Bit is set '0' = Bit is cleared x = Bit is unknown

bit 31- **Unimplemented:** Read/Write as '0'
24

bit 23 **FRACT:** Fractional Data Output Format bit
1 = Fractional
0 = Integer

bit 22- **SELRES<1:0>:** Shared ADC7 (i.e., AN2-AN17) Resolution bits
21
11 = 12 bits (default)
10 = 10 bits
01 = 8 bits
00 = 6 bits

PIC32MK MCA Family

REGISTER 23-1: ADCCON1: ADC CONTROL REGISTER 1 (CONTINUED)

bit 20- **STRGSRC<4:0>**: Scan Trigger Source Select bits

16
11111 = Reserved
11110 = Reserved
11101 = Reserved
11100 = Reserved
11011 = PWM Generator 4 Current-Limit
11010 = PWM Generator 3 Current-Limit
11001 = PWM Generator 2 Current-Limit
11000 = PWM Generator 1 Current-Limit
10111 = Reserved
10110 = Reserved
10101 = Reserved
10100 = CTMU trip
10011 = Output Compare 4 period end
10010 = Output Compare 3 period end
10001 = Output Compare 2 period end
10000 = Output Compare 1 period end
01111 = Reserved
01110 = Reserved
01101 = PWM Generator 4 trigger
01100 = PWM Generator 3 trigger
01011 = PWM Generator 2 trigger
01010 = PWM Generator 1 trigger
01001 = Secondary PWM time base
01000 = Primary PWM time base
00111 = General Purpose Timer5
00110 = General Purpose Timer3
00101 = General Purpose Timer1
00100 = INT0
00011 = Reserved
00010 = Software level trigger
00001 = Software edge trigger
00000 = No Trigger

bit 15 **ON**: ADC Module Enable bit

1 = ADC module is enabled

0 = ADC module is disabled

Note: The ON bit should be set only after the ADC module has been configured.

bit 14 **Unimplemented**: Read as '0'

bit 13 **SIDL**: Stop in Idle Mode bit

1 = Discontinue module operation when device enters Idle mode

0 = Continue module operation in Idle mode

REGISTER 23-1: ADCCON1: ADC CONTROL REGISTER 1 (CONTINUED)

bit 12 **AICMPEN:** Analog Input Charge Pump Enable bit

1 = Analog input charge pump is enabled

0 = Analog input charge pump is disabled (default)

Note 1: For proper analog operation at VDD less than 2.5V, the AICMPEN bit must be = 1, and the IOANCPEN bit in the CFGCON register must be set to '1'. This bit must not be set if VDD is greater than 2.5V.

2: ADC throughput rate performance is reduced, as defined in the following table, if AICMPEN = 1 or IOANCPEN (CFGCON<7) = 1.

ADC0	ADC1	ADC2	ADC3	ADC4	ADC5	ADC7	Maximum Sum of Total ADC Throughputs
ON	OFF	OFF	OFF	OFF	OFF	OFF	2 Msps
ON	ON	OFF	OFF	OFF	OFF	OFF	4 Msps
ON	ON	ON	OFF	OFF	OFF	OFF	5 Msps
OFF	OFF	OFF	ON	OFF	OFF	OFF	2 Msps
OFF	OFF	OFF	ON	ON	OFF	OFF	4 Msps
OFF	OFF	OFF	ON	ON	ON	OFF	5 Msps
OFF	OFF	OFF	ON	ON	ON	ON	5 Msps
ON	ON	ON	ON	OFF	OFF	OFF	7 Msps
ON	ON	ON	ON	ON	OFF	OFF	9 Msps
ON	ON	ON	ON	ON	ON	OFF	10 Msps
ON	OFF	OFF	ON	ON	ON	ON	7 Msps
ON	ON	OFF	ON	ON	ON	ON	9 Msps
ON	ON	ON	ON	ON	ON	ON	10 Msps

bit 11 **CVDEN:** Capacitive Voltage Division Enable bit

1 = CVD operation is enabled

0 = CVD operation is disabled

bit 10 **FSSCLKEN:** Bypass Fast Synchronous DMA System Clock to ADC Control Clock

1 = Bypass synchronizer logic for DMA system clock to ADC control clocks

0 = Enable clock synchronizers for non-synchronized DMA to ADC clock sources

NOTE: Synchronizers required if ADCCON3<ADCSEL> = REFCLK3, or ADCCON3<ADCSEL> = FRC and FRC is not SYSCLK source otherwise this bit is n/a.

bit 9 **FSPBCLKEN:** Bypass Fast Synchronous Peripheral Bus Clock to ADC Control Clock

1 = Bypass synchronizer logic for peripheral clock to ADC control clocks

0 = Enable clock synchronizers for non-synchronized peripheral clock to ADC control clocks

NOTE: Synchronizers required if ADCCON3<ADCSEL> = REFCLK3, or ADCCON3<ADCSEL> = FRC and FRC is not SYSCLK source otherwise this bit is n/a.

bit 8-7 **Unimplemented:** Read as '0'

PIC32MK MCA Family

REGISTER 23-1: ADCCON1: ADC CONTROL REGISTER 1 (CONTINUED)

bit 6-4 **IRQVS<2:0>**: Interrupt Vector Shift bits

To determine interrupt vector address, this bit specifies the amount of left shift done to the AIRDY_x status bits in the ADCDSTAT1 and ADCDSTAT2 registers, prior to adding with the ADCBASE register.

Interrupt Vector Address = Read Value of ADCBASE and Read Value of ADCBASE = Value written to ADCBASE + $x \ll \text{IRQVS}\langle 2:0 \rangle$, where 'x' is the smallest active input ID from the ADCDSTAT1 or ADCDSTAT2 registers (which has highest priority).

111 = Shift x left 7 bit position

110 = Shift x left 6 bit position

101 = Shift x left 5 bit position

100 = Shift x left 4 bit position

011 = Shift x left 3 bit position

010 = Shift x left 2 bit position

001 = Shift x left 1 bit position

000 = Shift x left 0 bit position

bit 3 **STRGLVL**: Scan Trigger High Level/Positive Edge Sensitivity bit

1 = Scan trigger is high level sensitive. Once STRIG mode is selected (TRGSRC_x<4:0> in the ADCTRG_x register), the scan trigger will continue for all selected analog inputs, until the STRIG option is removed.

0 = Scan trigger is positive edge sensitive. Once STRIG mode is selected (TRGSRC_x<4:0> in the ADCTRG_x register), only a single scan trigger will be generated, which will complete the scan of all selected analog inputs.

bit 2-0 **DMABL<2:0>**: DMA to System RAM Buffer Length Size bits

These bits define the number of locations in system memory allocated per analog input for DMA interface use.

Because each output data is 16-bit wide, one location consists of 2 bytes. Therefore the actual size reserved in the System RAM follows the formula: RAM Buffer Length in bytes = $2(\text{DMABL} + 1)$.

The DMABL field can also be thought of as a "Left Shift Amount +1" needed for the channel ID to create the DMA byte address offset to be added to the contents of ADDMAB in order to obtain the byte address of the beginning of the System RAM buffer area allocated for the given channel.

111 = Allocates 128 locations in system memory to each analog input, actually 256 bytes

110 = Allocates 64 locations in system memory to each analog input, actually 128 bytes

101 = Allocates 32 locations in system memory to each analog input, actually 64 bytes

100 = Allocates 16 locations in system memory to each analog input, actually 32 bytes

011 = Allocates 8 locations in system memory to each analog input, actually 16 bytes

010 = Allocates 4 locations in system memory to each analog input, actually 8 bytes

001 = Allocates 2 locations in system memory to each analog input, actually 4 bytes

000 = Allocates 1 location in system memory to each analog input, actually 2 bytes

PIC32MK MCA Family

REGISTER 23-2: ADCCON2: ADC CONTROL REGISTER 2

Bit Range	Bit 31/23/15/7	Bit 30/22/14/6	Bit 29/21/13/5	Bit 28/20/12/4	Bit 27/19/11/3	Bit 26/18/10/2	Bit 25/17/9/1	Bit 24/16/8/0
31:24	R-0, HS, HC	R-0, HS, HC	R-0, HS, HC	U-0	U-0	U-0	R/W-0	R/W-0
	BGVRRDY	REFFLT	EOSRDY	—	—	—	SAMC<9:8>	
23:16	R/W-0	R/W-0	R/W-0	R/W-0	R/W-0	R/W-0	R/W-0	R/W-0
	SAMC<7:0>							
15:8	R/W-0	R/W-0	R/W-0	R/W-0	U-0	R/W-0	R/W-0	R/W-0
	BGVRIEN	REFFLTIEN	EOSIEN	ADCEIOVR	—	ADCEIS<2:0>		
7:0	U-0	R/W-0	R/W-0	R/W-0	R/W-0	R/W-0	R/W-0	R/W-0
	—	ADCDIV<6:0>						

Legend:	HC = Hardware Set	HS = Hardware Cleared	r = Reserved
R = Readable bit	W = Writable bit	U = Unimplemented bit, read as '0'	
-n = Value at POR	'1' = Bit is set	'0' = Bit is cleared	x = Bit is unknown

bit 31 **BGVRRDY:** Band Gap Voltage/ADC Reference Voltage Status bit

- 1 = Both band gap voltage and ADC reference voltages (VREF) are ready
- 0 = Either or both band gap voltage and ADC reference voltages (VREF) are not ready

Data processing is valid only after BGVRRDY is set by hardware, so the application code must check that the BGVRRDY bit is set to ensure data validity. This bit set to '0' when ON (ADCCON1<15>) = 0.

bit 30 **REFFLT:** Band Gap/VREF/AVDD BOR Fault Status bit

- 1 = Fault in band gap or the VREF voltage while the ON bit (ADCCON1<15>) was set. Most likely, a band gap or VREF fault will be caused by a BOR of the analog VDD supply.
- 0 = Band gap and VREF voltage are working properly

This bit is cleared when the ON bit (ADCCON1<15>) = 0 and the BGVRRDY bit = 1.

bit 29 **EOSRDY:** End of Scan Interrupt Status bit

- 1 = All analog inputs are considered for scanning through the scan trigger (all analog inputs specified in the ADCCSS1 and ADCCSS2 registers) have completed scanning
- 0 = Scanning has not completed

This bit is cleared when ADCCON2<31:24> are read in software.

bit 28-26 **Unimplemented:** Read as '0'

bit 25-16 **SAMC<9:0>:** Sample Time for the Shared ADC (ADC7) bits

1111111111 = 1025 TAD

•
•
•

0000000001 = 3 TAD

0000000000 = 2 TAD

Where TAD = period of the ADC conversion clock for the Shared ADC (ADC7) controlled by the ADCDIV<6:0> bits.

Shared ADC7 Throughput rate:

$$= ((1/((\text{Sample time} + \text{Conversion time})(\text{TAD}))) / \# \text{of ADC inputs used in scan list})$$

$$= ((1 / ((\text{SAMC} + \# \text{ bit resolution} + 1)(\text{TAD}))) / \# \text{of ADC inputs used in scan list})$$

For example, SCAN mode enabled with (2) ANx inputs in scan list (i.e., ADCCSSx<CSSy>), SAMC = 4

TAD, 12-bit mode, TAD = 16.667 ns = 60 MHz:

$$\text{Throughput rate} = ((1/((4+12+1)(16.667 \text{ ns}))) / 2)$$

$$= ((1/(17 * 16.667 \text{ ns})) / 2)$$

$$= 1.764706 \text{ msp}$$

Note: Unlike the High-Speed Class 1 ADC modules, the trigger event for the shared Class 2 ADC7 module initiates the SAMC *sampling* sequence, rather than the *convert* sequence.

PIC32MK MCA Family

REGISTER 23-2: ADCCON2: ADC CONTROL REGISTER 2 (CONTINUED)

- bit 15 **BGVRIEN:** Band Gap/VREF Voltage Ready Interrupt Enable bit
1 = Interrupt will be generated when the BGVRRDY bit is set
0 = No interrupt is generated when the BGVRRDY bit is set
- bit 14 **REFFLTIEN:** Band Gap/VREF Voltage Fault Interrupt Enable bit
1 = Interrupt will be generated when the REFFLT bit is set
0 = No interrupt is generated when the REFFLT bit is set
- bit 13 **EOSIEN:** End of Scan Interrupt Enable bit
1 = Interrupt will be generated when EOSRDY bit is set
0 = No interrupt is generated when the EOSRDY bit is set
- bit 12 **ADCEIOVR:** Early Interrupt Request Override bit
1 = Early interrupt generation is overridden and interrupt generation is controlled by the ADCGIRQEN1 and ADCGIRQEN2 registers
0 = Early interrupt generation is not overridden and interrupt generation is controlled by the ADCEIEN1 and ADCEIEN2 registers
- bit 11 **Unimplemented:** Read as '0'
- bit 10-8 **ADCEIS<2:0>:** Shared ADC (ADC7) Early Interrupt Select bits
These bits select the number of clocks (TAD2) prior to the arrival of valid data that the associated interrupt is generated.
111 = The data ready interrupt is generated 8 ADC clocks prior to end of conversion
110 = The data ready interrupt is generated 7 ADC clocks prior to end of conversion
.
.
.
001 = The data ready interrupt is generated 2 ADC module clocks prior to end of conversion
000 = The data ready interrupt is generated 1 ADC module clock prior to end of conversion
Note: All options are available when the selected resolution, set by the SELRES<1:0> bits (ADCCON1<22:21>), is 12-bit or 10-bit. For a selected resolution of 8-bit, options from '000' to '101' are valid. For a selected resolution of 6-bit, options from '000' to '011' are valid.
- bit 7 **Unimplemented:** Read as '0'
- bit 6-0 **ADCDIV<6:0>:** Shared ADC (ADC7) Clock Divider bits
1111111 = 254 * TQ = TAD
.
.
.
0000011 = 6 * TQ = TAD
0000010 = 4 * TQ = TAD
0000001 = 2 * TQ = TAD
0000000 = Reserved
The ADCDIV<6:0> bits divide the ADC control clock (Tq) to generate the clock for the Shared ADC, ADC7 (TAD2).

PIC32MK MCA Family

REGISTER 23-3: ADCCON3: ADC CONTROL REGISTER 3

Bit Range	Bit 31/23/15/7	Bit 30/22/14/6	Bit 29/21/13/5	Bit 28/20/12/4	Bit 27/19/11/3	Bit 26/18/10/2	Bit 25/17/9/1	Bit 24/16/8/0
31:24	R/W-0	R/W-0	R/W-0	R/W-0	R/W-0	R/W-0	R/W-0	R/W-0
	ADCSEL<1:0>		CONCLKDIV<5:0>					
23:16	R/W-0	U-0	R/W-0	R/W-0	R/W-0	R/W-0	R/W-0	R/W-0
	DIGEN2	—	—	—	—	—	DIGEN1	DIGEN0
15:8	R/W-0	R/W-0	R/W-0	R/W-0	R/W-0	R-0, HS, HC	R/W-0	R-0, HS, HC
	VREFSEL<2:0>			TRGSUSP	UPDIEN	UPDRDY	SAMP ^(1,2,3,4)	RQCNVRT
7:0	R/W-0	R-0, HS, HC	R/W-0	R/W-0	R/W-0	R/W-0	R/W-0	R/W-0
	GLSWTRG	GSWTRG	ADINSEL<5:0>					

Legend:	HC = Hardware Set	HS = Hardware Cleared
R = Readable bit	W = Writable bit	U = Unimplemented bit, read as '0'
-n = Value at POR	'1' = Bit is set	'0' = Bit is cleared x = Bit is unknown

bit 31-30 **ADCSEL<1:0>**: Analog-to-Digital Clock Source (TCLK) bits

- 11 = SYSCLK (Required if using DMA for ADC)
- 10 = REFCLK3
- 01 = FRC
- 00 = SYSCLK

bit 29-24 **CONCLKDIV<5:0>**: Analog-to-Digital Control Clock (Tq) Divider bits

- 111111 = 126 * TCLK = Tq
- .
- .
- .
- 000011 = 6 * TCLK = Tq
- 000010 = 4 * TCLK = Tq
- 000001 = 2 * TCLK = Tq
- 000000 = TCLK = Tq

bit 23 **DIGEN2**: Shared ADC (ADC7) Digital Enable bit

- 1 = ADC7 is digital enabled
- 0 = ADC7 is digital disabled

bit 22-18 **Unimplemented**: Read as '0'

bit 17 **DIGEN1**: ADC1 Digital Enable bit

- 1 = ADC1 is digital enabled (required for active operation)
- 0 = ADC1 is digital disabled (power-saving mode)

bit 16 **DIGEN0**: ADC0 Digital Enable bit

- 1 = ADC0 is digital enabled (required for active operation)
- 0 = ADC0 is digital disabled (power-saving mode)

Note 1: The SAMP bit has the highest priority and setting this bit will keep the S&H circuit in Sample mode until the bit is cleared. Also, usage of the SAMP bit will cause settings of SAMC<9:0> bits (ADCCON2<25:16>) to be ignored.

- 2:** The SAMP bit only connects analog inputs to the shared ADC, ADC7. All Class 1 analog inputs are not affected by the SAMP bit.
- 3:** The SAMP bit is not a self-clearing bit and it is the responsibility of application software to first clear this bit and only after setting the RQCNVRT bit to start the analog-to-digital conversion.
- 4:** Normally, when the SAMP and RQCNVRT bits are used by software routines, all TRGSRCx<4:0> bits and STRGSRC<4:0> bits should be set to '00000' to disable all external hardware triggers and prevent them from interfering with the software-controlled sampling command signal SAMP and with the software-controlled trigger RQCNVRT.

PIC32MK MCA Family

REGISTER 23-3: ADCCON3: ADC CONTROL REGISTER 3 (CONTINUED)

bit 15-13 **VREFSEL<2:0>**: Voltage Reference (VREF) Input Selection bits

VREFSEL<2:0>	ADC VREFH	ADC VREFL
1xx	Reserved	Reserved
011	VREF+	VREF-
010	AVDD	VREF-
001	VREF+	AVSS
000	AVDD	AVSS

bit 12 **TRGSUSP**: Trigger Suspend bit

1 = Triggers are blocked from starting a new analog-to-digital conversion, but the ADC module is not disabled
0 = Triggers are not blocked

bit 11 **UPDIEN**: Update Ready Interrupt Enable bit

1 = Interrupt will be generated when the UPDRDY bit is set by hardware
0 = No interrupt is generated

bit 10 **UPDRDY**: ADC Update Ready Status bit

1 = ADC SFRs can be updated
0 = ADC SFRs cannot be updated

Note: This bit is only active while the TRGSUSP bit is set and there are no more running conversions of any ADC modules.

bit 9 **SAMP**: Shared ADC7 Analog Input Sampling Enable bit^(1,2,3,4)

1 = The ADC S&H amplifier is sampling
0 = The ADC S&H amplifier is holding

bit 8 **RQCNVRT**: Individual ADC Input Conversion Request bit

This bit and its associated ADINSEL<5:0> bits enable the user to individually request an analog-to-digital conversion of an analog input through software.

1 = Trigger the conversion of the selected ADC input as specified by the ADINSEL<5:0> bits
0 = Do not trigger the conversion

Note: This bit is automatically cleared in the next ADC clock cycle.

bit 7 **GLSWTRG**: Global Level Software Trigger bit

1 = Trigger conversion for ADC inputs that have selected the GLSWTRG bit as the trigger signal, either through the associated TRGSRC<4:0> bits in the ADCTRGX registers or through the STRGSRC<4:0> bits in the ADCCON1 register

0 = Do not trigger an analog-to-digital conversion

bit 6 **GSWTRG**: Global Software Trigger bit

1 = Trigger conversion for ADC inputs that have selected the GSWTRG bit as the trigger signal, either through the associated TRGSRC<4:0> bits in the ADCTRGX registers or through the STRGSRC<4:0> bits in the ADCCON1 register

0 = Do not trigger an analog-to-digital conversion

Note: This bit is automatically cleared in the next ADC clock cycle.

Note 1: The SAMP bit has the highest priority and setting this bit will keep the S&H circuit in Sample mode until the bit is cleared. Also, usage of the SAMP bit will cause settings of SAMC<9:0> bits (ADCCON2<25:16>) to be ignored.

2: The SAMP bit only connects analog inputs to the shared ADC, ADC7. All Class 1 analog inputs are not affected by the SAMP bit.

3: The SAMP bit is not a self-clearing bit and it is the responsibility of application software to first clear this bit and only after setting the RQCNVRT bit to start the analog-to-digital conversion.

4: Normally, when the SAMP and RQCNVRT bits are used by software routines, all TRGSRCx<4:0> bits and STRGSRC<4:0> bits should be set to '00000' to disable all external hardware triggers and prevent them from interfering with the software-controlled sampling command signal SAMP and with the software-controlled trigger RQCNVRT.

REGISTER 23-3: ADCCON3: ADC CONTROL REGISTER 3 (CONTINUED)

bit 5-0 **ADINSEL<5:0>**: Analog Input Select bits

These bits select the analog input to be converted when the RQCNVRT bit is set.

111111 = Reserved

•
•

110110 = Reserved

110101 = CTMU Temperature Sensor (internal AN53)

110100 = Reserved

110011 = Reserved

110010 = IVREF 1.2V (internal AN50)

110001 = Reserved

•
•

010010 = Reserved

010001 = AN17

•
•

000000 = AN0

Note: AN6-AN8, AN10, AN11, AN14 are not available on the 32-pin and 28-pin devices. AN9, AN12 are not available on 28-pin devices. Refer to TABLE 1-21: ADC Input Pinout Descriptions for details.

- Note 1:** The SAMP bit has the highest priority and setting this bit will keep the S&H circuit in Sample mode until the bit is cleared. Also, usage of the SAMP bit will cause settings of SAMC<9:0> bits (ADCCON2<25:16>) to be ignored.
- 2:** The SAMP bit only connects analog inputs to the shared ADC, ADC7. All Class 1 analog inputs are not affected by the SAMP bit.
- 3:** The SAMP bit is not a self-clearing bit and it is the responsibility of application software to first clear this bit and only after setting the RQCNVRT bit to start the analog-to-digital conversion.
- 4:** Normally, when the SAMP and RQCNVRT bits are used by software routines, all TRGSRCx<4:0> bits and STRGSRC<4:0> bits should be set to '00000' to disable all external hardware triggers and prevent them from interfering with the software-controlled sampling command signal SAMP and with the software-controlled trigger RQCNVRT.

PIC32MK MCA Family

REGISTER 23-4: ADCTRGMODE: ADC TRIGGERING MODE FOR DEDICATED ADC REGISTER

Bit Range	Bit 31/23/15/7	Bit 30/22/14/6	Bit 29/21/13/5	Bit 28/20/12/4	Bit 27/19/11/3	Bit 26/18/10/2	Bit 25/17/9/1	Bit 24/16/8/0
31:24	U-0 —	U-0 —	U-0 —	U-0 —	U-0 —	U-0 —	U-0 —	U-0 —
23:16	U-0 —	U-0 —	U-0 —	U-0 —	R/W-0 SH1ALT<1:0>	R/W-0	R/W-0 SH0ALT<1:0>	R/W-0
15:8	U-0 —	U-0 —	U-0 —	U-0 —	U-0 —	U-0 —	R/W-0 STRGEN1	R/W-0 STRGEN0
7:0	U-0 —	U-0 —	U-0 —	U-0 —	U-0 —	U-0 —	R/W-0 SSAMPEN1	R/W-0 SSAMPEN0

Legend:

R = Readable bit W = Writable bit U = Unimplemented bit, read as '0'
 -n = Value at POR '1' = Bit is set '0' = Bit is cleared x = Bit is unknown

bit 31-20 **Unimplemented:** Read as '0'

bit 19-18 **SH1ALT<1:0>**: ADC1 Analog Input Select bit

- 11 = AN16⁽¹⁾
- 10 = AN5⁽¹⁾
- 01 = AN3⁽¹⁾
- 00 = AN1

bit 17-16 **SH0ALT<1:0>**: ADC0 Analog Input Select bit

- 11 = AN6⁽¹⁾
- 10 = AN4⁽¹⁾
- 01 = AN13⁽¹⁾
- 00 = AN0

bit 15-10 **Unimplemented:** Read as '0'

bit 9 **STRGEN1**: ADC1 Presynchronized Triggers bit

- 1 = ADC1 uses presynchronized triggers
- 0 = ADC1 does not use presynchronized triggers

bit 8 **STRGEN0**: ADC0 Presynchronized Triggers bit

- 1 = ADC0 uses presynchronized triggers
- 0 = ADC0 does not use presynchronized triggers

bit 7-2 **Unimplemented:** Read as '0'

bit 1 **SSAMPEN1**: ADC1 Synchronous Sampling bit

- 1 = ADC1 uses synchronous sampling for the first sample after being idle or disabled
- 0 = ADC1 does not use synchronous sampling

bit 0 **SSAMPEN0**: ADC0 Synchronous Sampling bit

- 1 = ADC0 uses synchronous sampling for the first sample after being idle or disabled
- 0 = ADC0 does not use synchronous sampling

Note 1: Regardless of what alternate input is selected by SHxALT, only for ADC0-ADC1, all control and results are handled by the native SHxALT = '0b00 input. For example, SH0ALT = '0b11 = AN6. However, from a software and silicon hardware control and results register perspective, the user application must initialize the ADC0 module as if AN6 were actually AN0.

PIC32MK MCA Family

REGISTER 23-5: ADCIMCON1: ADC INPUT MODE CONTROL REGISTER 1

Bit Range	Bit 31/23/15/7	Bit 30/22/14/6	Bit 29/21/13/5	Bit 28/20/12/4	Bit 27/19/11/3	Bit 26/18/10/2	Bit 25/17/9/1	Bit 24/16/8/0
31:24	R/W-0	R/W-0	R/W-0	R/W-0	R/W-0	R/W-0	R/W-0	R/W-0
	DIFF15	SIGN15	DIFF14 ⁽¹⁾	SIGN14 ⁽¹⁾	DIFF13	SIGN13	DIFF12 ⁽²⁾	SIGN12 ⁽²⁾
23:16	R/W-0	R/W-0	R/W-0	R/W-0	R/W-0	R/W-0	R/W-0	R/W-0
	DIFF11 ⁽¹⁾	SIGN11 ⁽¹⁾	DIFF10 ⁽¹⁾	SIGN10 ⁽¹⁾	DIFF9 ⁽²⁾	SIGN9 ⁽²⁾	DIFF8 ⁽¹⁾	SIGN8 ⁽¹⁾
15:8	R/W-0	R/W-0	R/W-0	R/W-0	R/W-0	R/W-0	R/W-0	R/W-0
	DIFF7 ⁽¹⁾	SIGN7 ⁽¹⁾	DIFF6 ⁽¹⁾	SIGN6 ⁽¹⁾	DIFF5	SIGN5	DIFF4	SIGN4
7:0	R/W-0	R/W-0	R/W-0	R/W-0	R/W-0	R/W-0	R/W-0	R/W-0
	DIFF3	SIGN3	DIFF2	SIGN2	DIFF1	SIGN1	DIFF0	SIGN0

Legend:
R = Readable bit W = Writable bit U = Unimplemented bit, read as '0'
-n = Value at POR '1' = Bit is set '0' = Bit is cleared x = Bit is unknown

- bit 31 **DIFF15:** AN15 Mode bit
1 = Selects AN15 differential input pair as AN15+ and AN1-
0 = AN15 is using Single-ended mode
- bit 30 **SIGN:15** AN15 Signed Data Mode bit
1 = AN15 is using Signed Data mode
0 = AN15 is using Unsigned Data mode
- bit 29 **DIFF14:** AN14 Mode bit
1 = Selects AN14 differential input pair as AN14+ and AN1-
0 = AN14 is using Single-ended mode
- bit 28 **SIGN14:** AN14 Signed Data Mode bit
1 = AN14 is using Signed Data mode
0 = AN14 is using Unsigned Data mode
- bit 27 **DIFF13:** AN13 Mode bit
1 = Selects AN13 differential input pair as AN13+ and AN1-
0 = AN13 is using Single-ended mode
- bit 26 **SIGN13:** AN13 Signed Data Mode bit
1 = AN13 is using Signed Data mode
0 = AN13 is using Unsigned Data mode
- bit 25 **DIFF12:** AN12 Mode bit
1 = Selects AN12 differential input pair as AN12+ and AN1-
0 = AN12 is using Single-ended mode
- bit 24 **SIGN12:** AN12 Signed Data Mode bit
1 = AN12 is using Signed Data mode
0 = AN12 is using Unsigned Data mode
- bit 23 **DIFF11:** AN11 Mode bit
1 = Selects AN11 differential input pair as AN11+ and AN1-
0 = AN11 is using Single-ended mode
- bit 22 **SIGN11:** AN11 Signed Data Mode bit
1 = AN11 is using Signed Data mode
0 = AN11 is using Unsigned Data mode
- bit 21 **DIFF10:** AN10 Mode bit
1 = Selects AN10 differential input pair as AN10+ and AN1-
0 = AN10 is using Single-ended mode

- Note 1:** This bit is not defined on the 32-pin and 28-pin devices.
Note 2: This bit is not defined on the 28-pin devices

PIC32MK MCA Family

REGISTER 23-5: ADCIMCON1: ADC INPUT MODE CONTROL REGISTER 1 (CONTINUED)

- bit 20 **SIGN10:** AN10 Signed Data Mode bit
1 = AN10 is using Signed Data mode
0 = AN10 is using Unsigned Data mode
- bit 19 **DIFF9:** AN9 Mode bit
1 = Selects AN9 differential input pair as AN9+ and AN1-
0 = AN9 is using Single-ended mode
- bit 18 **SIGN9:** AN9 Signed Data Mode bit
1 = AN9 is using Signed Data mode
0 = AN9 is using Unsigned Data mode
- bit 17 **DIFF8:** AN 8 Mode bit
1 = Selects AN8 differential input pair as AN8+ and AN1-
0 = AN8 is using Single-ended mode
- bit 16 **SIGN8:** AN8 Signed Data Mode bit
1 = AN8 is using Signed Data mode
0 = AN8 is using Unsigned Data mode
- bit 15 **DIFF7:** AN7 Mode bit
1 = Selects AN7 differential input pair as AN7+ and AN1-
0 = AN7 is using Single-ended mode
- bit 14 **SIGN7:** AN7 Signed Data Mode bit
1 = AN7 is using Signed Data mode
0 = AN7 is using Unsigned Data mode
- bit 13 **DIFF6:** AN6 Mode bit
1 = Selects AN6 differential input pair as AN6+ and AN1-
0 = AN6 is using Single-ended mode
- bit 12 **SIGN6:** AN6 Signed Data Mode bit
1 = AN6 is using Signed Data mode
0 = AN6 is using Unsigned Data mode
- bit 11 **DIFF5:** AN5 Mode bit
1 = Selects AN5 differential input pair as AN5+ and AN11-
0 = AN5 is using Single-ended mode
- bit 10 **SIGN5:** AN5 Signed Data Mode bit
1 = AN5 is using Signed Data mode
0 = AN5 is using Unsigned Data mode
- bit 9 **DIFF4:** AN4 Mode bit
1 = Selects AN4 differential input pair as AN4+ and AN10-
0 = AN4 is using Single-ended mode
- bit 8 **SIGN4:** AN4 Signed Data Mode bit
1 = AN4 is using Signed Data mode
0 = AN4 is using Unsigned Data mode
- bit 7 **DIFF3:** AN3 Mode bit
1 = Selects AN3 differential input pair as AN3+ and AN27-
0 = AN3 is using Single-ended mode
- bit 6 **SIGN3:** AN3 Signed Data Mode bit
1 = AN3 is using Signed Data mode
0 = AN3 is using Unsigned Data mode
- bit 5 **DIFF2:** AN2 Mode bit
1 = Selects AN2 differential input pair as AN2+ and AN8-
0 = AN2 is using Single-ended mode

- Note 1:** This bit is not defined on the 32-pin and 28-pin devices.
Note 2: This bit is not defined on the 28-pin devices.

REGISTER 23-5: ADCIMCON1: ADC INPUT MODE CONTROL REGISTER 1 (CONTINUED)

- bit 4 **SIGN2:** AN2 Signed Data Mode bit
 1 = AN2 is using Signed Data mode
 0 = AN2 is using Unsigned Data mode
- bit 3 **DIFF1:** AN1 Mode bit
 1 = Selects AN1 differential input pair as AN1+ and AN7-
 0 = AN1 is using Single-ended mode
- bit 2 **SIGN1:** AN1 Signed Data Mode bit
 1 = AN1 is using Signed Data mode
 0 = AN1 is using Unsigned Data mode
- bit 1 **DIFF0:** AN0 Mode bit
 1 = Selects AN0 differential input pair as AN0+ and AN6-
 0 = AN0 is using Single-ended mode
- bit 0 **SIGN0:** AN0 Signed Data Mode bit
 1 = AN0 is using Signed Data mode
 0 = AN0 is using Unsigned Data mode

- Note** 1: This bit is not defined on the 32-pin and 28-pin devices.
 2: This bit is not defined on the 28-pin devices.

PIC32MK MCA Family

REGISTER 23-6: ADCIMCON2: ADC INPUT MODE CONTROL REGISTER 2

Bit Range	Bit 31/23/15/7	Bit 30/22/14/6	Bit 29/21/13/5	Bit 28/20/12/4	Bit 27/19/11/3	Bit 26/18/10/2	Bit 25/17/9/1	Bit 24/16/8/0
31:24	U-0	U-0	U-0	U-0	U-0	U-0	U-0	U-0
	—	—	—	—	—	—	—	—
23:16	U-0	U-0	U-0	U-0	U-0	U-0	U-0	U-0
	—	—	—	—	—	—	—	—
15:8	U-0	U-0	U-0	U-0	U-0	U-0	U-0	U-0
	—	—	—	—	—	—	—	—
7:0	U-0	U-0	U-0	U-0	R/W-0	R/W-0	R/W-0	R/W-0
	—	—	—	—	DIFF17	SIGN17	DIFF16	SIGN16

Legend:

R = Readable bit W = Writable bit U = Unimplemented bit, read as '0'
 -n = Value at POR '1' = Bit is set '0' = Bit is cleared x = Bit is unknown

bit 31-4 **Unimplemented:** Read as '0'

bit 3 **DIFF17:** AN17 Mode bit
 1 = Selects AN17 differential pair input as AN17+ and AN17-
 0 = AN17 is using Single-ended mode

bit 2 **SIGN17:** AN17 Signed Data Mode bit
 1 = AN17 is using Signed Data mode
 0 = AN17 is using Unsigned Data mode

bit 1 **DIFF16:** AN16 Mode bit
 1 = Selects AN16 differential pair input as AN16+ and AN16-
 0 = AN16 is using Single-ended mode

bit 0 **SIGN16:** AN16 Signed Data Mode bit
 1 = AN16 is using Signed Data mode
 0 = AN16 is using Unsigned Data mode

PIC32MK MCA Family

REGISTER 23-7: ADCGIRQEN1: ADC GLOBAL INTERRUPT ENABLE REGISTER 1

Bit Range	Bit 31/23/15/7	Bit 30/22/14/6	Bit 29/21/13/5	Bit 28/20/12/4	Bit 27/19/11/3	Bit 26/18/10/2	Bit 25/17/9/1	Bit 24/16/8/0
31:24	U-0	U-0	U-0	U-0	U-0	U-0	U-0	U-0
	—	—	—	—	—	—	—	—
23:16	U-0	U-0	U-0	U-0	U-0	U-0	R/W-0	R/W-0
	—	—	—	—	—	—	AGIEN17	AGIEN16
15:8	R/W-0	R/W-0	R/W-0	R/W-0	R/W-0	R/W-0	R/W-0	R/W-0
	AGIEN15	AGIEN14 ⁽¹⁾	AGIEN13	AGIEN12 ⁽²⁾	AGIEN11 ⁽¹⁾	AGIEN10 ⁽¹⁾	AGIEN9 ⁽²⁾	AGIEN8 ⁽¹⁾
7:0	R/W-0	R/W-0	R/W-0	R/W-0	R/W-0	R/W-0	R/W-0	R/W-0
	AGIEN7 ⁽¹⁾	AGIEN6 ⁽¹⁾	AGIEN5	AGIEN4	AGIEN3	AGIEN2	AGIEN1	AGIEN0

Legend:

R = Readable bit W = Writable bit U = Unimplemented bit, read as '0'
-n = Value at POR '1' = Bit is set '0' = Bit is cleared x = Bit is unknown

bit 31-18 **Unimplemented:** Read as '0'

bit 17-0 **AGIEN17:AGIEN0:** ADC Global Interrupt Enable bits

- 1 = Interrupts are enabled for the selected analog input. The interrupt is generated after the converted data is ready (indicated by the AIRDYx bit of the ADCDSTAT1 register)
- 0 = Interrupts are disabled

Note 1: This bit is not defined on the 32-pin and 28-pin devices.

2: This bit is not defined on the 28-pin devices.

PIC32MK MCA Family

REGISTER 23-8: AD CGIRQEN2: ADC GLOBAL INTERRUPT ENABLE REGISTER 2

Bit Range	Bit 31/23/15/7	Bit 30/22/14/6	Bit 29/21/13/5	Bit 28/20/12/4	Bit 27/19/11/3	Bit 26/18/10/2	Bit 25/17/9/1	Bit 24/16/8/0
31:24	U-0	U-0	U-0	U-0	U-0	U-0	U-0	U-0
	—	—	—	—	—	—	—	—
23:16	U-0	U-0	R/W-0	U-0	U-0	R/W-0	U-0	U-0
	—	—	AGIEN53	—	—	AGIEN50	—	—
15:8	U-0	U-0	U-0	U-0	U-0	U-0	U-0	U-0
	—	—	—	—	—	—	—	—
7:0	U-0	U-0	U-0	U-0	U-0	U-0	U-0	U-0
	—	—	—	—	—	—	—	—

Legend:

R = Readable bit W = Writable bit U = Unimplemented bit, read as '0'
 -n = Value at POR '1' = Bit is set '0' = Bit is cleared x = Bit is unknown

bit 31-22 **Unimplemented:** Read as '0'

bit 21 **AGIEN53:** ADC Global Interrupt Enable bit

1 = Interrupts are enabled for the selected analog input. The interrupt is generated after the converted data is ready (indicated by the AIRDYx bit of the ADCDSTAT2 register)

0 = Interrupts are disabled

bit 20-19 **Unimplemented:** Read as '0'

bit 18 **AGIEN50:** ADC Global Interrupt Enable bits

1 = Interrupts are enabled for the selected analog input. The interrupt is generated after the converted data is ready (indicated by the AIRDYx bit of the ADCDSTAT2 register)

0 = Interrupts are disabled

bit 17-0 **Unimplemented:** Read as '0'

PIC32MK MCA Family

REGISTER 23-9: ADCCSS1: ADC COMMON SCAN SELECT REGISTER 1

Bit Range	Bit 31/23/15/7	Bit 30/22/14/6	Bit 29/21/13/5	Bit 28/20/12/4	Bit 27/19/11/3	Bit 26/18/10/2	Bit 25/17/9/1	Bit 24/16/8/0
31:24	U-0	U-0	U-0	U-0	U-0	U-0	U-0	U-0
	—	—	—	—	—	—	—	—
23:16	U-0	U-0	U-0	U-0	U-0	U-0	R/W-0	R/W-0
	—	—	—	—	—	—	CSS17	CSS16
15:8	R/W-0	R/W-0	R/W-0	R/W-0	R/W-0	R/W-0	R/W-0	R/W-0
	CSS15	CSS14 ⁽¹⁾	CSS13	CSS12 ⁽²⁾	CSS11 ⁽¹⁾	CSS10 ⁽¹⁾	CSS9 ⁽²⁾	CSS8 ⁽¹⁾
7:0	R/W-0	R/W-0	R/W-0	R/W-0	R/W-0	R/W-0	R/W-0	R/W-0
	CSS7 ⁽¹⁾	CSS6 ⁽¹⁾	CSS5	CSS4	CSS3	CSS2	CSS1	CSS0

Legend:

R = Readable bit W = Writable bit U = Unimplemented bit, read as '0'
 -n = Value at POR '1' = Bit is set '0' = Bit is cleared x = Bit is unknown

bit 31-18 **Unimplemented:** Read as '0'

bit 17-0 **CSS17:CSS0:** Analog Common Scan Select bits

- 1 = Select ANx for input scan (i.e., ANx = CSSx and scan is sequential starting with the lowest to highest enabled CSSx analog input pin)
- 0 = Skip ANx for input scan

- Note 1:** This bit is not defined on the 32-bit and 28-pin devices.
Note 2: This bit is not defined on the 28-pin devices.

Note 1: In addition to setting the appropriate bits in this register, Class 1 and Class 2 analog inputs must select the STRIG input as the trigger source if they are to be scanned through the CSSx bits. Refer to the bit descriptions in the ADCTRGx registers for selecting the STRIG option.

Note 2: If a Class 1 or Class 2 input is included in the scan by setting the CSSx bit to '1' and by setting the TRGSRCx<4:0> bits to STRIG mode ('0b11), the user application must ensure that no other triggers are generated for that input using the RQCNVRT bit in the ADCCON3 register or the hardware input or any digital filter. Otherwise, the scan behavior is unpredictable.

PIC32MK MCA Family

REGISTER 23-10: ADCCSS2: ADC COMMON SCAN SELECT REGISTER 2

Bit Range	Bit 31/23/15/7	Bit 30/22/14/6	Bit 29/21/13/5	Bit 28/20/12/4	Bit 27/19/11/3	Bit 26/18/10/2	Bit 25/17/9/1	Bit 24/16/8/0
31:24	U-0	U-0	U-0	U-0	U-0	U-0	U-0	U-0
	—	—	—	—	—	—	—	—
23:16	U-0	U-0	R/W-0	U-0	U-0	R/W-0	U-0	U-0
	—	—	CSS53 ⁽¹⁾	—	—	CSS50 ⁽¹⁾	—	—
15:8	U-0	U-0	U-0	U-0	U-0	U-0	U-0	U-0
	—	—	—	—	—	—	—	—
7:0	U-0	U-0	U-0	U-0	U-0	U-0	U-0	U-0
	—	—	—	—	—	—	—	—

Legend:

R = Readable bit W = Writable bit U = Unimplemented bit, read as '0'
 -n = Value at POR '1' = Bit is set '0' = Bit is cleared x = Bit is unknown

bit 31-22 **Unimplemented:** Read as '0'

bit 21 **CSS53:** Analog Common Scan Select bits
 1 = Select ANx for input scan
 0 = Skip ANx for input scan

bit 20-19 **Unimplemented:** Read as '0'

bit 18 **CSS50:** Analog Common Scan Select bits

bit 17-0 **Unimplemented:** Read as '0'

Note 1: CSS50-CSS53 are internal analog inputs with respect to internal (IVREF, and CTMU) Temperature Sensor.

PIC32MK MCA Family

REGISTER 23-11: ADCDSTAT1: ADC DATA READY STATUS REGISTER 1

Bit Range	Bit 31/23/15/7	Bit 30/22/14/6	Bit 29/21/13/5	Bit 28/20/12/4	Bit 27/19/11/3	Bit 26/18/10/2	Bit 25/17/9/1	Bit 24/16/8/0
31:24	U-0	U-0	U-0	U-0	U-0	U-0	U-0	U-0
	—	—	—	—	—	—	—	—
23:16	U-0	U-0	U-0	U-0	U-0	U-0	R-0, HS, HC	R-0, HS, HC
	—	—	—	—	—	—	AIRDY17	AIRDY16
15:8	R-0, HS, HC	R-0, HS, HC	R-0, HS, HC	R-0, HS, HC	R-0, HS, HC	R-0, HS, HC	R-0, HS, HC	R-0, HS, HC
	AIRDY15	AIRDY14 ⁽¹⁾	AIRDY13	AIRDY12 ⁽²⁾	AIRDY11 ⁽¹⁾	AIRDY10 ⁽¹⁾	AIRDY9 ⁽²⁾	AIRDY8 ⁽¹⁾
7:0	R-0, HS, HC	R-0, HS, HC	R-0, HS, HC	R-0, HS, HC	R-0, HS, HC	R-0, HS, HC	R-0, HS, HC	R-0, HS, HC
	AIRDY7 ⁽¹⁾	AIRDY6 ⁽¹⁾	AIRDY5	AIRDY4	AIRDY3	AIRDY2	AIRDY1	AIRDY0

Legend:	HS = Hardware Set	HC = Hardware Cleared
R = Readable bit	W = Writable bit	U = Unimplemented bit, read as '0'
-n = Value at POR	'1' = Bit is set	'0' = Bit is cleared x = Bit is unknown

bit 31-18 **Unimplemented:** Read as '0'

bit 17-0 **AIRDY17:AIRDY0:** Conversion Data Ready for Corresponding Analog Input Ready bits

1 = This bit is set when converted data is ready in the data register

0 = This bit is cleared when the associated data register is read

Note 1: This bit is not defined on the 32-pin and 28-pin devices.

2: This bit not defined on the 28-pin devices.

REGISTER 23-12: ADCDSTAT2: ADC DATA READY STATUS REGISTER 2

Bit Range	Bit 31/23/15/7	Bit 30/22/14/6	Bit 29/21/13/5	Bit 28/20/12/4	Bit 27/19/11/3	Bit 26/18/10/2	Bit 25/17/9/1	Bit 24/16/8/0
31:24	U-0	U-0	U-0	U-0	U-0	U-0	U-0	U-0
	—	—	—	—	—	—	—	—
23:16	U-0	U-0	R-0, HS, HC	U-0	U-0	R-0, HS, HC	U-0	U-0
	—	—	AIRDY53	—	—	AIRDY50	—	—
15:8	U-0	U-0	U-0	U-0	U-0	U-0	U-0	U-0
	—	—	—	—	—	—	—	—
7:0	U-0	U-0	U-0	U-0	U-0	U-0	U-0	U-0
	—	—	—	—	—	—	—	—

Legend:	HS = Hardware Set	HC = Hardware Cleared
R = Readable bit	W = Writable bit	U = Unimplemented bit, read as '0'
-n = Value at POR	'1' = Bit is set	'0' = Bit is cleared x = Bit is unknown

bit 31-22 **Unimplemented:** Read as '0'

bit 21 **AIRDY53:** Conversion Data Ready for Corresponding Analog Input Ready bits

1 = This bit is set when converted data is ready in the data register

0 = This bit is cleared when the associated data register is read

bit 20-19 **Unimplemented:** Read as '0'

bit 18 **AIRDY50:** Conversion Data Ready for Corresponding Analog Input Ready bits

1 = This bit is set when converted data is ready in the data register

0 = This bit is cleared when the associated data register is read

bit 17-0 **Unimplemented:** Read as '0'

PIC32MK MCA Family

REGISTER 23-13: ADCCMPENx: ADC DIGITAL COMPARATOR 'x' ENABLE REGISTER ('x' = 1 THROUGH 2)

Bit Range	Bit 31/23/15/7	Bit 30/22/14/6	Bit 29/21/13/5	Bit 28/20/12/4	Bit 27/19/11/3	Bit 26/18/10/2	Bit 25/17/9/1	Bit 24/16/8/0
31:24	U-0	U-0	U-0	U-0	U-0	U-0	U-0	U-0
	—	—	—	—	—	—	—	—
23:16	U-0	U-0	U-0	U-0	U-0	U-0	R/W-0	R/W-0
	—	—	—	—	—	—	CMPE17	CMPE16
15:8	R/W-0	R/W-0	R/W-0	R/W-0	R/W-0	R/W-0	R/W-0	R/W-0
	CMPE15	CMPE14 ⁽¹⁾	CMPE13	CMPE12 ⁽²⁾	CMPE11	CMPE10 ⁽¹⁾	CMPE9 ⁽²⁾	CMPE8 ⁽¹⁾
7:0	R/W-0	R/W-0	R/W-0	R/W-0	R/W-0	R/W-0	R/W-0	R/W-0
	CMPE7 ⁽¹⁾	CMPE6 ⁽¹⁾	CMPE5	CMPE4	CMPE3	CMPE2	CMPE1	CMPE0

Legend:

R = Readable bit W = Writable bit U = Unimplemented bit, read as '0'
 -n = Value at POR '1' = Bit is set '0' = Bit is cleared x = Bit is unknown

bit 31-18 **Unimplemented:** Read as '0'

bit 17-0 **CMPE17:CMPE0:** ADC Digital Comparator 'x' Enable bits

These bits enable conversion results corresponding to the Analog Input to be processed by the Digital Comparator. CMPE0 enables AN0, CMPE1 enables AN1, and so on.

Note 1: This bit is not defined on the 32-pin and 28-pin devices.

2: This bit is not defined on the 28-pin devices.

Note 1: CMPE_x = AN_x, where 'x' = 0-17 (Digital Comparator inputs are limited to AN0 through AN17).

2: Changing the bits in this register while the Digital Comparator is enabled (ENDCMP = 1) can result in unpredictable behavior.

PIC32MK MCA Family

REGISTER 23-14: ADCCMPx: ADC DIGITAL COMPARATOR 'x' LIMIT VALUE REGISTER ('x' = 1 THROUGH 2)

Bit Range	Bit 31/23/15/7	Bit 30/22/14/6	Bit 29/21/13/5	Bit 28/20/12/4	Bit 27/19/11/3	Bit 26/18/10/2	Bit 25/17/9/1	Bit 24/16/8/0
31:24	R/W-0	R/W-0	R/W-0	R/W-0	R/W-0	R/W-0	R/W-0	R/W-0
	DCMPHI<15:8> ^(1,2)							
23:16	R/W-0	R/W-0	R/W-0	R/W-0	R/W-0	R/W-0	R/W-0	R/W-0
	DCMPHI<7:0> ^(1,2)							
15:8	R/W-0	R/W-0	R/W-0	R/W-0	R/W-0	R/W-0	R/W-0	R/W-0
	DCMPLO<15:8> ^(1,2)							
7:0	R/W-0	R/W-0	R/W-0	R/W-0	R/W-0	R/W-0	R/W-0	R/W-0
	DCMPLO<7:0> ^(1,2)							

Legend:

R = Readable bit	W = Writable bit	U = Unimplemented bit, read as '0'
-n = Value at POR	'1' = Bit is set	'0' = Bit is cleared x = Bit is unknown

bit 31-16 **DCMPHI<15:0>**: Digital Comparator 'x' High Limit Value bits^(1,2)

These bits store the high limit value, which is used by digital comparator for comparisons with ADC converted data.

bit 15-0 **DCMPLO<15:0>**: Digital Comparator 'x' Low Limit Value bits^(1,2)

These bits store the low limit value, which is used by digital comparator for comparisons with ADC converted data.

Note 1: Changing these bits while the Digital Comparator is enabled (ENDCMP = 1), can result in unpredictable behavior.

2: The format of the limit values should match the format of the ADC converted value in terms of sign and fractional settings.

PIC32MK MCA Family

REGISTER 23-15: ADCFLTRx: ADC DIGITAL FILTER 'x' REGISTER
(‘x’ = 1 THROUGH 2)

Bit Range	Bit 31/23/15/7	Bit 30/22/14/6	Bit 29/21/13/5	Bit 28/20/12/4	Bit 27/19/11/3	Bit 26/18/10/2	Bit 25/17/9/1	Bit 24/16/8/0
31:24	R/W-0	R/W-0	R/W-0	R/W-0	R/W-0	R/W-0	R/W-0	R-0, HS, HC
	AFEN	DATA16EN	DFMODE	OVRSAM<2:0>			AFGIEN	AFRDY
23:16	U-0	U-0	U-0	R/W-0	R/W-0	R/W-0	R/W-0	R/W-0
	—	—	—	CHNLID<4:0>				
15:8	R-0, HS, HC	R-0, HS, HC	R-0, HS, HC	R-0, HS, HC	R-0, HS, HC	R-0, HS, HC	R-0, HS, HC	R-0, HS, HC
	FLTRDATA<15:8>							
7:0	R-0, HS, HC	R-0, HS, HC	R-0, HS, HC	R-0, HS, HC	R-0, HS, HC	R-0, HS, HC	R-0, HS, HC	R-0, HS, HC
	FLTRDATA<7:0>							

Legend:	HS = Hardware Set	HC = Hardware Cleared
R = Readable bit	W = Writable bit	U = Unimplemented bit, read as ‘0’
-n = Value at POR	‘1’ = Bit is set	‘0’ = Bit is cleared x = Bit is unknown

- bit 31 **AFEN:** Digital Filter ‘x’ Enable bit
 1 = Digital filter is enabled
 0 = Digital filter is disabled and the AFRDY status bit is cleared
NOTE: If ADCFLTRx<AFEN> = 1 then ADCxTIME<SAMC> minimum must be ≥ 0x004 or equivalent to ≥ 6 TAD. This will correspondingly reduce the maximum sampling rate.
- bit 30 **DATA16EN:** Filter Significant Data Length bit
 1 = All 16 bits of the filter output data are significant
 0 = Only the first 12 bits are significant, followed by four zeros
Note: This bit is significant only if DFMODE = 1 (Averaging Mode) and FRACT (ADCCON1<23>) = 1 (Fractional Output Mode).
- bit 29 **DFMODE:** ADC Filter Mode bit
 1 = Filter ‘x’ works in Averaging mode
 0 = Filter ‘x’ works in Oversampling Filter mode (default)
- bit 28-26 **OVRSAM<2:0>:** Oversampling Filter Ratio bits
If DFMODE is ‘0’:
 111 = 128 samples (shift sum 3 bits to right, output data is in 15.1 format)
 110 = 32 samples (shift sum 2 bits to right, output data is in 14.1 format)
 101 = 8 samples (shift sum 1 bit to right, output data is in 13.1 format)
 100 = 2 samples (shift sum 0 bits to right, output data is in 12.1 format)
 011 = 256 samples (shift sum 4 bits to right, output data is 16 bits)
 010 = 64 samples (shift sum 3 bits to right, output data is 15 bits)
 001 = 16 samples (shift sum 2 bits to right, output data is 14 bits)
 000 = 4 samples (shift sum 1 bit to right, output data is 13 bits)
- If DFMODE is ‘1’:**
 111 = 256 samples (256 samples to be averaged)
 110 = 128 samples (128 samples to be averaged)
 101 = 64 samples (64 samples to be averaged)
 100 = 32 samples (32 samples to be averaged)
 011 = 16 samples (16 samples to be averaged)
 010 = 8 samples (8 samples to be averaged)
 001 = 4 samples (4 samples to be averaged)
 000 = 2 samples (2 samples to be averaged)
- bit 25 **AFGIEN:** Digital Filter ‘x’ Interrupt Enable bit
 1 = Digital filter interrupt is enabled and is generated by the AFRDY status bit
 0 = Digital filter is disabled

REGISTER 23-15: ADCFLTRx: ADC DIGITAL FILTER 'x' REGISTER ('x' = 1 THROUGH 2) (CONTINUED)

bit 24 **AFRDY**: Digital Filter 'x' Data Ready Status bit
1 = Data is ready in the FLTRDATA<15:0> bits
0 = Data is not ready

Note: This bit is cleared by reading the FLTRDATA<15:0> bits or by disabling the Digital Filter module (by setting AFEN to '0').

bit 23-21 **Unimplemented**: Read as '0'

bit 20-16 **CHNLID<4:0>**: Digital Filter Analog Input Selection bits
These bits specify the analog input to be used as the oversampling filter data source.

11111 = Reserved
.
.
10001 = AN17 input
10000 = AN16 input
01111 = AN15 input
01110 = AN14⁽¹⁾ input
01101 = AN13 input
01100 = AN12⁽²⁾ input
01011 = AN11⁽¹⁾ input
01010 = AN10⁽¹⁾ input
01001 = AN9⁽²⁾ input
01000 = AN8⁽¹⁾ input
00111 = AN7⁽¹⁾ input
00110 = AN6⁽¹⁾ input
00101 = AN5 input
00100 = AN4 input
00011 = AN3 input
00010 = AN2 input
00001 = ADC1 Module
00000 = ADC0 Module

bit 15-0 **FLTRDATA<15:0>**: Digital Filter 'x' Data Output Value bits
The filter output data is as per the fractional format set in the FRACT (ADCCON1<23>) bit. The FRACT bit should not be changed while the filter is enabled. Changing the state of the FRACT bit after the operation of the filter ended will not update the value of FLTRDATA<15:0> to reflect the new format.

Note 1 1. This selection is not defined on the 32-pin and 28-pin devices.
2. This bit is not defined on the 28-pin devices.

PIC32MK MCA Family

REGISTER 23-16: ADCTRG1: ADC TRIGGER SOURCE 1 REGISTER

Bit Range	Bit 31/23/15/7	Bit 30/22/14/6	Bit 29/21/13/5	Bit 28/20/12/4	Bit 27/19/11/3	Bit 26/18/10/2	Bit 25/17/9/1	Bit 24/16/8/0
31:24	U-0	U-0	U-0	R/W-0	R/W-0	R/W-0	R/W-0	R/W-0
	—	—	—	TRGSRC3<4:0>				
23:16	U-0	U-0	U-0	R/W-0	R/W-0	R/W-0	R/W-0	R/W-0
	—	—	—	TRGSRC2<4:0>				
15:8	U-0	U-0	U-0	R/W-0	R/W-0	R/W-0	R/W-0	R/W-0
	—	—	—	TRGSRC1<4:0>				
7:0	U-0	U-0	U-0	R/W-0	R/W-0	R/W-0	R/W-0	R/W-0
	—	—	—	TRGSRC0<4:0>				

Legend:

R = Readable bit W = Writable bit U = Unimplemented bit, read as '0'
 -n = Value at POR '1' = Bit is set '0' = Bit is cleared x = Bit is unknown

bit 31-29 **Unimplemented:** Read as '0'

bit 28-24 **TRGSRC3<4:0>**: Trigger Source for Conversion of Analog Input AN3 Select bits

11111 = Reserved
 11110 = Reserved
 11101 = Reserved
 11100 = Reserved
 11011 = PWM Generator 4 Current-Limit
 11010 = PWM Generator 3 Current-Limit
 11001 = PWM Generator 2 Current-Limit
 11000 = PWM Generator 1 Current-Limit
 10111 = Reserved
 10110 = Reserved
 10101 = Reserved
 10100 = Reserved
 10011 = Output Compare 4 rising edge
 10010 = Output Compare 3 rising edge
 10001 = Output Compare 2 rising edge
 10000 = Output Compare 1 rising edge
 01111 = Reserved
 01110 = Reserved
 01101 = PWM Generator 4 trigger
 01100 = PWM Generator 3 trigger
 01011 = PWM Generator 2 trigger
 01010 = PWM Generator 1 trigger
 01001 = Secondary Special Event Trigger
 01000 = Primary Special Event Trigger
 00111 = General Purpose Timer5
 00110 = General Purpose Timer3
 00101 = General Purpose Timer1
 00100 = INT0
 00011 = Scan trigger⁽¹⁾
 00010 = Software level trigger (must also configure the ADCTRGNS register)
 00001 = Software edge trigger
 00000 = No Trigger

Note 1: For Scan Trigger, in addition to setting the trigger, it also requires programming of the STRGSRC<4:0> bits (ADCCON1<20:16>) to select the trigger source, and requires the appropriate CSS bits to be set in the ADCCSSx registers.

REGISTER 23-16: ADCTRG1: ADC TRIGGER SOURCE 1 REGISTER (CONTINUED)

bit 23-21 **Unimplemented:** Read as '0'

bit 20-16 **TRGSRC2<4:0>:** Trigger Source for Conversion of Analog Input AN2 Select bits
See bits 28-24 for bit value definitions.

bit 15-13 **Unimplemented:** Read as '0'

bit 12-8 **TRGSRC1<4:0>:** Trigger Source for Conversion of ADC1 Module Select bits
See bits 28-24 for bit value definitions.

bit 7-5 **Unimplemented:** Read as '0'

bit 4-0 **TRGSRC0<4:0>:** Trigger Source for Conversion of ADC0 Module Select bits
See bits 28-24 for bit value definitions.

Note 1: For Scan Trigger, in addition to setting the trigger, it also requires programming of the STRGSRC<4:0> bits (ADCCON1<20:16>) to select the trigger source, and requires the appropriate CSS bits to be set in the ADCCSSx registers.

PIC32MK MCA Family

REGISTER 23-17: ADCTRG2: ADC TRIGGER SOURCE 2 REGISTER

Bit Range	Bit 31/23/15/7	Bit 30/22/14/6	Bit 29/21/13/5	Bit 28/20/12/4	Bit 27/19/11/3	Bit 26/18/10/2	Bit 25/17/9/1	Bit 24/16/8/0
31:24	U-0	U-0	U-0	R/W-0	R/W-0	R/W-0	R/W-0	R/W-0
	—	—	—	TRGSRC7<4:0> ⁽²⁾				
23:16	U-0	U-0	U-0	R/W-0	R/W-0	R/W-0	R/W-0	R/W-0
	—	—	—	TRGSRC6<4:0> ⁽²⁾				
15:8	U-0	U-0	U-0	R/W-0	R/W-0	R/W-0	R/W-0	R/W-0
	—	—	—	TRGSRC5<4:0>				
7:0	U-0	U-0	U-0	R/W-0	R/W-0	R/W-0	R/W-0	R/W-0
	—	—	—	TRGSRC4<4:0>				

Legend:

R = Readable bit W = Writable bit U = Unimplemented bit, read as '0'
 -n = Value at POR '1' = Bit is set '0' = Bit is cleared x = Bit is unknown

bit 31-29 **Unimplemented:** Read as '0'

bit 28-24 **TRGSRC7<4:0>**: Trigger Source for Conversion of Analog Input AN7 Select bits

11111 = Reserved
 11110 = Reserved
 11101 = Reserved
 11100 = Reserved
 11011 = PWM Generator 4 Current-Limit
 11010 = PWM Generator 3 Current-Limit
 11001 = PWM Generator 2 Current-Limit
 11000 = PWM Generator 1 Current-Limit
 10111 = Reserved
 10110 = Reserved
 10101 = Reserved
 10100 = CTMU trip
 10011 = Output Compare 4 rising edge
 10010 = Output Compare 3 rising edge
 10001 = Output Compare 2 rising edge
 10000 = Output Compare 1 rising edge
 01111 = Reserved
 01110 = Reserved
 01101 = PWM Generator 4 trigger
 01100 = PWM Generator 3 trigger
 01011 = PWM Generator 2 trigger
 01010 = PWM Generator 1 trigger
 01001 = Secondary Special Event Trigger
 01000 = Primary Special Event Trigger
 00111 = General Purpose Timer5
 00110 = General Purpose Timer3
 00101 = General Purpose Timer1
 00100 = INT0
 00011 = Scan trigger⁽¹⁾
 00010 = Software level trigger (must also configure the ADCTRGNS register)
 00001 = Software edge trigger
 00000 = No trigger

Note 1: For Scan Trigger, in addition to setting the trigger, it also requires programming of the STRGSRC<4:0> bits (ADCCON1<20:16>) to select the trigger source, and requires the appropriate CSS bits to be set in the ADCCSSx registers.

2: This register is not available for the 32-pin and 28-pin devices.

REGISTER 23-17: ADCTRG2: ADC TRIGGER SOURCE 2 REGISTER (CONTINUED)

- bit 23-21 **Unimplemented:** Read as '0'
- bit 20-16 **TRGSRC6<4:0>:** Trigger Source for Conversion of Analog Input AN6 Select bits
See bits 28-24 for bit value definitions.
- bit 15-13 **Unimplemented:** Read as '0'
- bit 12-8 **TRGSRC5<4:0>:** Trigger Source for Conversion of Analog Input AN5 Select bits
See bits 28-24 for bit value definitions.
- bit 7-5 **Unimplemented:** Read as '0'
- bit 4-0 **TRGSRC4<4:0>:** Trigger Source for Conversion of Analog Input AN4 Select bits
See bits 28-24 for bit value definitions.

Note 1: For Scan Trigger, in addition to setting the trigger, it also requires programming of the STRGSRC<4:0> bits (ADCCON1<20:16>) to select the trigger source, and requires the appropriate CSS bits to be set in the ADCCSSx registers.

2: This register is not available for the 32-pin and 28-pin devices.

PIC32MK MCA Family

REGISTER 23-18: ADCTRG3: ADC TRIGGER SOURCE 3 REGISTER

Bit Range	Bit 31/23/15/7	Bit 30/22/14/6	Bit 29/21/13/5	Bit 28/20/12/4	Bit 27/19/11/3	Bit 26/18/10/2	Bit 25/17/9/1	Bit 24/16/8/0
31:24	U-0	U-0	U-0	R/W-0	R/W-0	R/W-0	R/W-0	R/W-0
	—	—	—	TRGSRC11<4:0> ⁽²⁾				
23:16	U-0	U-0	U-0	R/W-0	R/W-0	R/W-0	R/W-0	R/W-0
	—	—	—	TRGSRC10<4:0> ⁽²⁾				
15:8	U-0	U-0	U-0	R/W-0	R/W-0	R/W-0	R/W-0	R/W-0
	—	—	—	TRGSRC9<4:0> ⁽³⁾				
7:0	U-0	U-0	U-0	R/W-0	R/W-0	R/W-0	R/W-0	R/W-0
	—	—	—	TRGSRC8<4:0> ⁽²⁾				

Legend:

R = Readable bit W = Writable bit U = Unimplemented bit, read as '0'
 -n = Value at POR '1' = Bit is set '0' = Bit is cleared x = Bit is unknown

bit 31-29 **Unimplemented:** Read as '0'

- Note 1:** For Scan Trigger, in addition to setting the trigger, it also requires programming of the STRGSRC<4:0> bits (ADCCON1<20:16>) to select the trigger source, and requires the appropriate CSS bits to be set in the ADCCSSx registers.
- 2:** This register is not available on the 32-pin and 28-pin devices.
- 3:** This register is not available on the 28-pin devices.

REGISTER 23-18: ADCTRG3: ADC TRIGGER SOURCE 3 REGISTER (CONTINUED)

bit 28-24 **TRGSRC11<4:0>**: Trigger Source for Conversion of Analog Input AN11 Select bits

11111 = Reserved
11110 = Reserved
11101 = Reserved
11100 = Reserved
11011 = PWM Generator 4 Current-Limit
11010 = PWM Generator 3 Current-Limit
11001 = PWM Generator 2 Current-Limit
11000 = PWM Generator 1 Current-Limit
10111 = Reserved
10110 = Reserved
10101 = Reserved
10100 = CTMU trip
10011 = Output Compare 4 rising edge
10010 = Output Compare 3 rising edge
10001 = Output Compare 2 rising edge
10000 = Output Compare 1 rising edge
01111 = Reserved
01110 = Reserved
01101 = PWM Generator 4 trigger
01100 = PWM Generator 3 trigger
01011 = PWM Generator 2 trigger
01010 = PWM Generator 1 trigger
01001 = Secondary Special Event Trigger
01000 = Primary Special Event Trigger
00111 = General Purpose Timer5
00110 = General Purpose Timer3
00101 = General Purpose Timer1
00100 = INT0
00011 = Scan trigger⁽¹⁾
00010 = Software level trigger (must also configure the ADCTRGNS register)
00001 = Software edge trigger
00000 = No trigger

- Note 1:** For Scan Trigger, in addition to setting the trigger, it also requires programming of the STRGSRC<4:0> bits (ADCCON1<20:16>) to select the trigger source, and requires the appropriate CSS bits to be set in the ADCCSSx registers.
- 2:** This register is not available on the 32-pin and 28-pin devices.
- 3:** This register is not available on the 28-pin devices.

PIC32MK MCA Family

REGISTER 23-18: ADCTRG3: ADC TRIGGER SOURCE 3 REGISTER (CONTINUED)

bit 23-21 **Unimplemented:** Read as '0'

bit 20-16 **TRGSRC10<4:0>:** Trigger Source for Conversion of Analog Input AN10 Select bits
See bits 28-24 for bit value definitions.

bit 15-13 **Unimplemented:** Read as '0'

bit 12-8 **TRGSRC9<4:0>:** Trigger Source for Conversion of Analog Input AN9 Select bits
See bits 28-24 for bit value definitions.

bit 7-5 **Unimplemented:** Read as '0'

bit 4-0 **TRGSRC8<4:0>:** Trigger Source for Conversion of Analog Input AN8 Select bits
See bits 28-24 for bit value definitions.

Note 1: For Scan Trigger, in addition to setting the trigger, it also requires programming of the STRGSRC<4:0> bits (ADCCON1<20:16>) to select the trigger source, and requires the appropriate CSS bits to be set in the ADCCSSx registers.

2: This register is not available on the 32-pin and 28-pin devices.

3: This register is not available on the 28-pin devices.

PIC32MK MCA Family

REGISTER 23-19: ADCTRG4: ADC TRIGGER SOURCE 4 REGISTER

Bit Range	Bit 31/23/15/7	Bit 30/22/14/6	Bit 29/21/13/5	Bit 28/20/12/4	Bit 27/19/11/3	Bit 26/18/10/2	Bit 25/17/9/1	Bit 24/16/8/0
31:24	U-0	U-0	U-0	R/W-0	R/W-0	R/W-0	R/W-0	R/W-0
	—	—	—	TRGSRC15<4:0>				
23:16	U-0	U-0	U-0	R/W-0	R/W-0	R/W-0	R/W-0	R/W-0
	—	—	—	TRGSRC14<4:0> ⁽²⁾				
15:8	U-0	U-0	U-0	R/W-0	R/W-0	R/W-0	R/W-0	R/W-0
	—	—	—	TRGSRC13<4:0>				
7:0	U-0	U-0	U-0	R/W-0	R/W-0	R/W-0	R/W-0	R/W-0
	—	—	—	TRGSRC12<4:0> ⁽³⁾				

Legend:

R = Readable bit W = Writable bit U = Unimplemented bit, read as '0'
 -n = Value at POR '1' = Bit is set '0' = Bit is cleared x = Bit is unknown

bit 31-29 **Unimplemented:** Read as '0'

- Note 1:** For Scan Trigger, in addition to setting the trigger, it also requires programming of the STRGSRC<4:0> bits (ADCCON1<20:16>) to select the trigger source, and requires the appropriate CSS bits to be set in the ADCCSSx registers.
- 2:** This register is not available on the 32-pin and 28-pin devices.
- 3:** This register is not available on the 28-pin devices.

PIC32MK MCA Family

REGISTER 23-19: ADCTRG4: ADC TRIGGER SOURCE 4 REGISTER (CONTINUED)

bit 28-24 **TRGSRC15<4:0>**: Trigger Source for Conversion of Analog Input AN15 Select bits

11111 = Reserved
11110 = Reserved
11101 = Reserved
11100 = Reserved
11011 = PWM Generator 4 Current-Limit
11010 = PWM Generator 3 Current-Limit
11001 = PWM Generator 2 Current-Limit
11000 = PWM Generator 1 Current-Limit
10111 = Reserved
10110 = Reserved
10101 = Reserved
10100 = CTMU trip
10011 = Output Compare 4 rising edge
10010 = Output Compare 3 rising edge
10001 = Output Compare 2 rising edge
10000 = Output Compare 1 rising edge
01111 = Reserved
01110 = Reserved
01101 = PWM Generator 4 trigger
01100 = PWM Generator 3 trigger
01011 = PWM Generator 2 trigger
01010 = PWM Generator 1 trigger
01001 = Secondary Special Event Trigger
01000 = Primary Special Event Trigger
00111 = General Purpose Timer5
00110 = General Purpose Timer3
00101 = General Purpose Timer1
00100 = INT0
00011 = Scan trigger⁽¹⁾
00010 = Software level trigger (must also configure the ADCTRGNS register)
00001 = Software edge trigger
00000 = No trigger

Note 1: For Scan Trigger, in addition to setting the trigger, it also requires programming of the STRGSRC<4:0> bits (ADCCON1<20:16>) to select the trigger source, and requires the appropriate CSS bits to be set in the ADCCSSx registers.

2: This register is not available on the 32-pin and 28-pin devices.

3: This register is not available on the 28-pin devices.

REGISTER 23-19: ADCTRG4: ADC TRIGGER SOURCE 4 REGISTER (CONTINUED)

- bit 23-21 **Unimplemented:** Read as '0'
- bit 20-16 **TRGSRC14<4:0>:** Trigger Source for Conversion of Analog Input AN14 Select bits
See bits 28-24 for bit value definitions.
- bit 15-13 **Unimplemented:** Read as '0'
- bit 12-8 **TRGSRC13<4:0>:** Trigger Source for Conversion of Analog Input AN13 Select bits
See bits 28-24 for bit value definitions.
- bit 7-5 **Unimplemented:** Read as '0'
- bit 4-0 **TRGSRC12<4:0>:** Trigger Source for Conversion of Analog Input AN12 Select bits
See bits 28-24 for bit value definitions.

- Note 1:** For Scan Trigger, in addition to setting the trigger, it also requires programming of the STRGSRC<4:0> bits (ADCCON1<20:16>) to select the trigger source, and requires the appropriate CSS bits to be set in the ADCCSSx registers.
- 2:** This register is not available on the 32-pin and 28-pin devices.
- 3:** This register is not available on the 28-pin devices.

PIC32MK MCA Family

REGISTER 23-20: ADCTRG5: ADC TRIGGER SOURCE 5 REGISTER

Bit Range	Bit 31/23/15/7	Bit 30/22/14/6	Bit 29/21/13/5	Bit 28/20/12/4	Bit 27/19/11/3	Bit 26/18/10/2	Bit 25/17/9/1	Bit 24/16/8/0
31:24	U-0	U-0	U-0	U-0	U-0	U-0	U-0	U-0
	—	—	—	—	—	—	—	—
23:16	U-0	U-0	U-0	U-0	U-0	U-0	U-0	U-0
	—	—	—	—	—	—	—	—
15:8	U-0	U-0	U-0	R/W-0	R/W-0	R/W-0	R/W-0	R/W-0
	—	—	—	TRGSRC17<4:0>				
7:0	U-0	U-0	U-0	R/W-0	R/W-0	R/W-0	R/W-0	R/W-0
	—	—	—	TRGSRC16<4:0>				

Legend:

R = Readable bit W = Writable bit U = Unimplemented bit, read as '0'
 -n = Value at POR '1' = Bit is set '0' = Bit is cleared x = Bit is unknown

bit 31-13 **Unimplemented:** Read as '0'

bit 12-8 **TRGSRC17<4:0>**: Trigger Source for Conversion of Analog Input AN17 Select bits⁽³⁾

- 11111 = Reserved
- 11110 = Reserved
- 11101 = Reserved
- 11100 = Reserved
- 11011 = PWM Generator 4 Current-Limit
- 11010 = PWM Generator 3 Current-Limit
- 11001 = PWM Generator 2 Current-Limit
- 11000 = PWM Generator 1 Current-Limit
- 10111 = Reserved
- 10110 = Reserved
- 10101 = Reserved
- 10100 = CTMU trip
- 10011 = Output Compare 4 rising edge
- 10010 = Output Compare 3 rising edge
- 10001 = Output Compare 2 rising edge
- 10000 = Output Compare 1 rising edge
- 01111 = Reserved
- 01110 = Reserved
- 01101 = PWM Generator 4 trigger
- 01100 = PWM Generator 3 trigger
- 01011 = PWM Generator 2 trigger
- 01010 = PWM Generator 1 trigger
- 01001 = Secondary Special Event Trigger
- 01000 = Primary Special Event Trigger
- 00111 = General Purpose Timer5
- 00110 = General Purpose Timer3
- 00101 = General Purpose Timer1
- 00100 = INT0
- 00011 = Scan trigger⁽¹⁾
- 00010 = Software level trigger (must also configure the ADCTRGNS register)
- 00001 = Software edge trigger
- 00000 = No trigger

Note 1: For Scan Trigger, in addition to setting the trigger, it also requires programming of the STRGSRC<4:0> bits (ADCCON1<20:16>) to select the trigger source, and requires the appropriate CSS bits to be set in the ADCCSSx registers..

REGISTER 23-20: ADCTRG5: ADC TRIGGER SOURCE 5 REGISTER (CONTINUED)

bit 7-5 **Unimplemented:** Read as '0'

bit 4-0 **TRGSRC16<4:0>:** Trigger Source for Conversion of Analog Input AN16 Select bits
See bits 12-8 for bit value definitions.

Note 1: For Scan Trigger, in addition to setting the trigger, it also requires programming of the STRGSRC<4:0> bits (ADCCON1<20:16>) to select the trigger source, and requires the appropriate CSS bits to be set in the ADCCSSx registers..

PIC32MK MCA Family

REGISTER 23-21: ADCCMPCON1: ADC DIGITAL COMPARATOR 1 CONTROL REGISTER

Bit Range	Bit 31/23/15/7	Bit 30/22/14/6	Bit 29/21/13/5	Bit 28/20/12/4	Bit 27/19/11/3	Bit 26/18/10/2	Bit 25/17/9/1	Bit 24/16/8/0
31:24	U-0	U-0	U-0	U-0	U-0	U-0	U-0	U-0
	—	—	—	—	—	—	—	—
23:16	U-0	U-0	U-0	U-0	U-0	U-0	U-0	U-0
	—	—	—	—	—	—	—	—
15:8	U-0	U-0	R-0, HS, HC	R-0, HS, HC	R-0, HS, HC	R-0, HS, HC	R-0, HS, HC	R-0, HS, HC
	—	—	AINID<5:0>					
7:0	R/W-0	R/W-0	R-0, HS, HC	R/W-0	R/W-0	R/W-0	R/W-0	R/W-0
	ENDCMP	DCMPGIEN	DCMPED	IEBTWN	IEHIHI	IEHILO	IELOHI	IELOLO

Legend:	HS = Hardware Set	HC = Hardware Cleared
R = Readable bit	W = Writable bit	U = Unimplemented bit, read as '0'
-n = Value at POR	'1' = Bit is set	'0' = Bit is cleared x = Bit is unknown

bit 31-14 **Unimplemented:** Read as '0'

bit 13-8 **AINID<5:0>:** Digital Comparator 1 Analog Input Identification (ID) bits

When a digital comparator event occurs (DCMPED = 1), these bits identify the analog input being monitored by Digital Comparator 1.

Note: In normal ADC mode, only analog inputs <31:0> can be processed by the Digital Comparator 1.

111111 = Reserved
 .
 .
 .
 110110 = Reserved
 110101 = Internal AN53 (CTMU temperature sensor)
 110101 = Reserved
 110101 = Reserved
 110010 = Internal AN50 (IVREF 1.2V)
 110001 = Reserved
 .
 .
 .
 010010 = Reserved
 010001 = AN17 is being monitored
 .
 .
 .
 000000 = AN0 is being monitored

Note: For the 32-pin and 28-pin devices AN6, AN7, AN8, AN10, AN11, AN14 are not implemented. For the 28-pin devices AN9 and AN12 are also not implemented.

bit 7 **ENDCMP:** Digital Comparator 1 Enable bit

1 = Digital Comparator 1 is enabled

0 = Digital Comparator 1 is not enabled, and the DCMPED status bit (ADCCMP0CON<5>) is cleared

bit 6 **DCMPGIEN:** Digital Comparator 1 Global Interrupt Enable bit

1 = A Digital Comparator 1 interrupt is generated when the DCMPED status bit (ADCCMP0CON<5>) is set

0 = A Digital Comparator 1 interrupt is disabled

bit 5 **DCMPED:** Digital Comparator 1 "Output True" Event Status bit

The logical conditions under which the digital comparator gets "True" are defined by the IEBTWN, IEHIHI, IEHILO, IELOHI, and IELOLO bits.

Note: This bit is cleared by reading the AINID<5:0> bits or by disabling the Digital Comparator module (by setting ENDCMP to '0').

1 = Digital Comparator 1 output true event has occurred (output of Comparator is '1')

0 = Digital Comparator 1 output is false (output of comparator is '0')

REGISTER 23-21: ADCCMPCON1: ADC DIGITAL COMPARATOR 1 CONTROL REGISTER (CONTINUED)

- bit 4 **IEBTWN**: Between Low/High Digital Comparator 1 Event bit
1 = Generate a digital comparator event when $DCMPLO<15:0> \leq DATA<31:0> < DCMPhi<15:0>$
0 = Do not generate a digital comparator event
- bit 3 **IEHIHI**: High/High Digital Comparator 0 Event bit
1 = Generate a Digital Comparator 0 Event when $DCMPHI<15:0> \leq DATA<31:0>$
0 = Do not generate an event
- bit 2 **IEHILO**: High/Low Digital Comparator 0 Event bit
1 = Generate a Digital Comparator 0 Event when $DATA<31:0> < DCMPhi<15:0>$
0 = Do not generate an event
- bit 1 **IELOHI**: Low/High Digital Comparator 0 Event bit
1 = Generate a Digital Comparator 0 Event when $DCMPLO<15:0> \leq DATA<31:0>$
0 = Do not generate an event
- bit 0 **IELOLO**: Low/Low Digital Comparator 0 Event bit
1 = Generate a Digital Comparator 0 Event when $DATA<31:0> < DCMPLo<15:0>$
0 = Do not generate an event

PIC32MK MCA Family

REGISTER 23-22: ADCCMPCON2: ADC DIGITAL COMPARATOR 2 CONTROL REGISTER

Bit Range	Bit 31/23/15/7	Bit 30/22/14/6	Bit 29/21/13/5	Bit 28/20/12/4	Bit 27/19/11/3	Bit 26/18/10/2	Bit 25/17/9/1	Bit 24/16/8/0
31:24	U-0 —	U-0 —	U-0 —	U-0 —	U-0 —	U-0 —	U-0 —	U-0 —
23:16	U-0 —	U-0 —	U-0 —	U-0 —	U-0 —	U-0 —	U-0 —	U-0 —
15:8	U-0 —	U-0 —	U-0 —	R-0, HS, HC	R-0, HS, HC	R-0, HS, HC	R-0, HS, HC	R-0, HS, HC
	AINID<4:0>							
7:0	R/W-0 ENDCMP	R/W-0 DCMPGIEN	R-0, HS, HC DCMPED	R/W-0 IEBTWN	R/W-0 IEHIHI	R/W-0 IEHILO	R/W-0 IELOHI	R/W-0 IELOLO

Legend:	HS = Hardware Set	HC = Hardware Cleared
R = Readable bit	W = Writable bit	U = Unimplemented bit, read as '0'
-n = Value at POR	'1' = Bit is set	'0' = Bit is cleared x = Bit is unknown

bit 31-13 **Unimplemented:** Read as '0'

bit 12-8 **AINID<4:0>:** Digital Comparator 2 Analog Input Identification (ID) bits

When a digital comparator event occurs (DCMPED = 1), these bits identify the analog input being monitored by the Digital Comparator.

Note: For the 32-pin and 28-pin devices AN6, AN7, AN8, AN10, AN11, AN14 are not implemented. For the 28-pin devices AN9 and AN12 are also not implemented.

```

11111 = Reserved
.
.
.
10010 = Reserved
10001 = AN17
.
.
.
00001 = AN1
00000 = AN0

```

bit 7 **ENDCMP:** Digital Comparator 2 Enable bit

1 = Digital Comparator 2 is enabled
0 = Digital Comparator 2 is not enabled, and the DCMPED status bit (ADCCMPxCON<5>) is cleared

bit 6 **DCMPGIEN:** Digital Comparator 2 Global Interrupt Enable bit

1 = A Digital Comparator 2 interrupt is generated when the DCMPED status bit (ADCCMPxCON<5>) is set
0 = A Digital Comparator 2 interrupt is disabled

bit 5 **DCMPED:** Digital Comparator 2 "Output True" Event Status bit

The logical conditions under which the digital comparator gets "True" are defined by the IEBTWN, IEHIHI, IEHILO, IELOHI and IELOLO bits.

This bit is cleared by reading the AINID<5:0> bits (ADCCMPCONx<13:8>) or by disabling the Digital Comparator module (by setting ENDCMP to '0').

1 = Digital Comparator 2 output true event has occurred (output of Comparator is '1')
0 = Digital Comparator 2 output is false (output of Comparator is '0')

bit 4 **IEBTWN:** Between Low/High Digital Comparator 2 Event bit

1 = Generate a digital comparator event when the DCMPL0<15:0> bits ≤ DATA<31:0> bits < DCMPL1<15:0> bits
0 = Do not generate a digital comparator event

bit 3 **IEHIHI:** High/High Digital Comparator 2 Event bit

1 = Generate a Digital Comparator 2 Event when the DCMPL1<15:0> bits ≤ DATA<31:0> bits
0 = Do not generate an event

REGISTER 23-22: ADCCMPCON2: ADC DIGITAL COMPARATOR 2 CONTROL REGISTER

- bit 2 **IEHILO**: High/Low Digital Comparator 2 Event bit
 1 = Generate a Digital Comparator 2 Event when the DATA<31:0> bits < DCMPhi<15:0> bits
 0 = Do not generate an event
- bit 1 **IELOHI**: Low/High Digital Comparator 2 Event bit
 1 = Generate a Digital Comparator 2 Event when the DCMPLo<15:0> bits \leq DATA<31:0> bits
 0 = Do not generate an event
- bit 0 **IELOLO**: Low/Low Digital Comparator 2 Event bit
 1 = Generate a Digital Comparator 2 Event when the DATA<31:0> bits < DCMPLo<15:0> bits
 0 = Do not generate an event

PIC32MK MCA Family

REGISTER 23-23: ADCBASE: ADC BASE REGISTER

Bit Range	Bit 31/23/15/7	Bit 30/22/14/6	Bit 29/21/13/5	Bit 28/20/12/4	Bit 27/19/11/3	Bit 26/18/10/2	Bit 25/17/9/1	Bit 24/16/8/0
31:24	U-0	U-0	U-0	U-0	U-0	U-0	U-0	U-0
	—	—	—	—	—	—	—	—
23:16	U-0	U-0	U-0	U-0	U-0	U-0	U-0	U-0
	—	—	—	—	—	—	—	—
15:8	R/W-0	R/W-0	R/W-0	R/W-0	R/W-0	R/W-0	R/W-0	R/W-0
	ADCBASE<15:8>							
7:0	R/W-0	R/W-0	R/W-0	R/W-0	R/W-0	R/W-0	R/W-0	R/W-0
	ADCBASE<7:0>							

Legend:

R = Readable bit W = Writable bit U = Unimplemented bit, read as '0'
 -n = Value at POR '1' = Bit is set '0' = Bit is cleared x = Bit is unknown

bit 31-0 **Unimplemented:** Read as '0'

bit 15-0 **ADCBASE<15:0>:** ADC ISR Base Address bits

This register, when read, contains the base address of the user's ADC ISR jump table. The interrupt vector address is determined by the IRQVS<2:0> bits of the ADCCON1 register specifying the amount of left shift done to the AIRDYx status bits in the ADCDSTAT1 and ADCDSTAT2 registers, prior to adding with ADCBASE register.

Interrupt Vector Address = Read Value of ADCBASE and Read Value of ADCBASE = Value written to ADCBASE + x << IRQVS<2:0>, where 'x' is the smallest active analog input ID from the ADCDSTAT1 or ADCDSTAT2 registers (which has highest priority).

PIC32MK MCA Family

REGISTER 23-24: ADCDSTAT: ADC DMA STATUS REGISTER

Bit Range	Bit 31/23/15/7	Bit 30/22/14/6	Bit 29/21/13/5	Bit 28/20/12/4	Bit 27/19/11/3	Bit 26/18/10/2	Bit 25/17/9/1	Bit 24/16/8/0
31:24	R/W-0	U-0	U-0	U-0	U-0	U-0	R/W-0	R/W-0
	DMAEN	---	---	---	---	---	RBFIE1	RBFIE0
23:16	R-0, HS, HC	U-0	U-0	U-0	U-0	U-0	R-0, HS, HC	R-0, HS, HC
	WOVERR	---	---	---	---	---	RBF1	RBF0
15:8	R/W-0	U-0	U-0	U-0	U-0	U-0	R/W-0	R/W-0
	DMACEN	---	---	---	---	---	RAFIE1	RAFIE0
7:0	U-0	U-0	U-0	U-0	U-0	U-0	R-0, HS, HC	R-0, HS, HC
	---	---	---	---	---	---	RAF1	RAF0

Legend:

R = Readable bit W = Writable bit U = Unimplemented bit, read as '0'
 -n = Value at POR '1' = Bit is set '0' = Bit is cleared x = Bit is unknown

bit 31 **DMAEN:** Global ADC DMA Enable bit

1 = DMA interface is enabled
 0 = DMA interface is disabled

When DMAEN = 0, no data is being saved into internal SRAM, no SRAM Writes occur and the DMA interface logic is being kept in reset state.

Note: Before setting the DMAEN bit to '1', the user application must ensure that the BCHEN bit (ADCxTIME<23>) is configured as needed.

bit 30-26 **Unimplemented:** Read as '0'

bit 25-24 **RBFIE1:RBFIE0:** RAM DMA Buffer B Full Interrupt Enable bits for ADC1-ADC0

1 = Enable ping-pong DMA Buffer B interrupt requests for ADC1-ADC0
 0 = Disable ping-pong DMA Buffer B interrupt requests for ADC1-ADC0

bit 23 **WOVERR:** DMA Transfer error

This bit is set by hardware and cleared by hardware after a software read of the ADCDSTAT register. If this bit is set, the ADC conversion results transferred by DMA are erroneous. Discarding the entire ADC ram buffer data is recommended.

bit 22-18 **Unimplemented:** Read as '0'

bit 17-16 **RBF1:RBF0:** RAM DMA Buffer B Full Status bits for ADC1-ADC0

1 = RAM DMA ping-pong Buffer B is full
 0 = RAM DMA pin-pong Buffer B is not full

When RBFIE_x = 1 and the RBF_x bit status is set, the individual ADC_x DMA interrupt request is generated.

NOTE: All of these bits will self-clear upon any read by software of this register. Therefore, It is recommended that the user logically OR the register contents to a user defined variable to be used for testing the DMA status in the user's code. The user software would therefore need to clear the corresponding variable bit after the buffer full status was processed.

bit 15 **DMACEN:** ADC DMA Buffer Sample Count Enable bit

The DMA interface will save the current sample count for each buffer in the table starting at the ADCCNTB address after each sample write into the corresponding buffer in the SRAM.

bit 14-10 **Unimplemented:** Read as '0'

bit 9-8 **RAFIE1:RAFIE0:** RAM DMA Buffer A Full Interrupt Enable bits for ADC1-ADC0

1 = Enable ping-pong DMA Buffer A interrupt requests for ADC1-ADC0
 0 = Disable ping-pong DMA Buffer A interrupt requests for ADC1-ADC0

bit 7-2 **Unimplemented:** Read as '0'

Note: The individual Class 1 High-Speed ADC1-ADC0 modules have an independent DMA bus initiator and are completely separate from the assignable general purpose DMA channels.

PIC32MK MCA Family

REGISTER 23-24: ADCDSTAT: ADC DMA STATUS REGISTER (CONTINUED)

bit 1-0 **RAF1:RAF0:** RAM DMA Ping-Pong Buffer A Full Status bits for ADC1-ADC0
1 = RAM DMA ping-pong Buffer A is full
0 = RAM DMA ping-pong Buffer A is not full

When RAFIEx = 1 and the RAFx bit status is set, the individual ADCx DMA interrupt request is generated.

NOTE: All of these bits will self-clear upon any read by software of this register. Therefore, it is recommended that the user logically OR the register contents to a user defined variable to be used for testing the DMA status in the users code. The user software would therefore need to clear the corresponding variable bit after the buffer full status was processed.

Note: The individual Class 1 High-Speed ADC1-ADC0 modules have an independent DMA bus initiator and are completely separate from the assignable general purpose DMA channels.

PIC32MK MCA Family

REGISTER 23-25: ADCCNTB: ADC CHANNEL SAMPLE COUNT BASE ADDRESS REGISTER

Bit Range	Bit 31/23/15/7	Bit 30/22/14/6	Bit 29/21/13/5	Bit 28/20/12/4	Bit 27/19/11/3	Bit 26/18/10/2	Bit 25/17/9/1	Bit 24/16/8/0
31:24	R/W-0	R/W-0	R/W-0	R/W-0	R/W-0	R/W-0	R/W-0	R/W-0
	ADCCNTB<31:24>							
23:16	R/W-0	R/W-0	R/W-0	R/W-0	R/W-0	R/W-0	R/W-0	R/W-0
	ADCCNTB<23:16>							
15:8	R/W-0	R/W-0	R/W-0	R/W-0	R/W-0	R/W-0	R/W-0	R/W-0
	ADCCNTB<15:8>							
7:0	R/W-0	R/W-0	R/W-0	R/W-0	R/W-0	R/W-0	R/W-0	R/W-0
	ADCCNTB<7:0>							

Legend:

R = Readable bit W = Writable bit U = Unimplemented bit, read as '0'
 -n = Value at POR '1' = Bit is set '0' = Bit is cleared x = Bit is unknown

bit 31-0 **ADCCNTB<31:0>**: ADC Channel Count Base Address bits

SRAM address for the DMA interface at which to save the first class channel buffer A sample count values into the System RAM. If First Class Channel 'x' (where 'x' = 0-5), is ready with a new available sample data, and the DMA interface is currently saving data for Channel 'x' to RAM Buffer 'z' (where 'z' == 0 means Buffer A and 'z' == 1 means Buffer B, with 'z' depending on 'x'), the DMA interface will increment (+1) the 1 byte count value stored at System RAM address (ADCCNTB + 2 * x + z). ADCCNTB works in conjunction with ADCDMAB. The DMA interface will use ADCCNTB to save the buffer sample counts only if the DMACEN bit in the ADCDSTAT register is set to '1'.

REGISTER 23-26: ADCDMAB: ADC CHANNEL SAMPLE COUNT BASE ADDRESS REGISTER

Bit Range	Bit 31/23/15/7	Bit 30/22/14/6	Bit 29/21/13/5	Bit 28/20/12/4	Bit 27/19/11/3	Bit 26/18/10/2	Bit 25/17/9/1	Bit 24/16/8/0
31:24	R/W-0	R/W-0	R/W-0	R/W-0	R/W-0	R/W-0	R/W-0	R/W-0
	ADCDMAB<31:24>							
23:16	R/W-0	R/W-0	R/W-0	R/W-0	R/W-0	R/W-0	R/W-0	R/W-0
	ADCDMAB<23:16>							
15:8	R/W-0	R/W-0	R/W-0	R/W-0	R/W-0	R/W-0	R/W-0	R/W-0
	ADCDMAB<15:8>							
7:0	R/W-0	R/W-0	R/W-0	R/W-0	R/W-0	R/W-0	R/W-0	R/W-0
	ADCDMAB<7:0>							

Legend:

R = Readable bit W = Writable bit U = Unimplemented bit, read as '0'
 -n = Value at POR '1' = Bit is set '0' = Bit is cleared x = Bit is unknown

bit 31-0 **ADCDMAB<31:0>**: DMA Interface Base Address bits

Address at which to save first class channels data into the System RAM. If First Class Channel 'x' (where 'x' = 0-5), is ready with a new available sample data, and the DMA interface is currently saving data for Channel 'x' to RAM Buffer 'z' (where 'z' == 0 means Buffer A and 'z' == 1 means Buffer B, 'z' depending on 'x'), and the current DMA x-counter value is 'y' (with 'y' depending on 'x'), the DMA interface will store the 2-byte output data value at System RAM address (ADCDMAB + (2 * x + z) * 2^(DMABL+1) + 2 * y). Also, if the DMACEN bit in the ADCDSTAT register is set to '1', the DMA interface will store without delay the value 'y' itself at the System RAM address (ADCCNTB + 2 * x + z).

PIC32MK MCA Family

REGISTER 23-27: ADCDATAx: ADC OUTPUT DATA REGISTER ('x' = 0-17, 50, and 53)

Bit Range	Bit 31/23/15/7	Bit 30/22/14/6	Bit 29/21/13/5	Bit 28/20/12/4	Bit 27/19/11/3	Bit 26/18/10/2	Bit 25/17/9/1	Bit 24/16/8/0
31:24	R-0	R-0	R-0	R-0	R-0	R-0	R-0	R-0
	DATA<31:24>							
23:16	R-0	R-0	R-0	R-0	R-0	R-0	R-0	R-0
	DATA<23:16>							
15:8	R-0	R-0	R-0	R-0	R-0	R-0	R-0	R-0
	DATA<15:8>							
7:0	R-0	R-0	R-0	R-0	R-0	R-0	R-0	R-0
	DATA<7:0>							

Legend:

R = Readable bit W = Writable bit U = Unimplemented bit, read as '0'
 -n = Value at POR '1' = Bit is set '0' = Bit is cleared x = Bit is unknown

bit 31-0 **DATA<31:0>**: ADC Converted Data Output bits^(1,2,3,4).

- Note 1:** The ADCDATA6-8, ADCDATA10-11, and ADCDATA14 registers are not available on the 32-pin and 28-pin devices.
- 2:** The ADCDATA9 and ADCDATA12 registers are not available on the 28-pin devices.
- 3:** When an alternate input is used as the input source for a dedicated ADC module, the data output is still read from the Primary input Data Output Register.
- 4:** Reading the ADCDATAx register value after changing the FRACT bit converts the data into the format specified by FRACT bit.

PIC32MK MCA Family

REGISTER 23-28: ADCTRGNSNS: ADC TRIGGER LEVEL/EDGE SENSITIVITY REGISTER

Bit Range	Bit 31/23/15/7	Bit 30/22/14/6	Bit 29/21/13/5	Bit 28/20/12/4	Bit 27/19/11/3	Bit 26/18/10/2	Bit 25/17/9/1	Bit 24/16/8/0
31:24	U-0	U-0	U-0	U-0	U-0	U-0	U-0	U-0
	—	—	—	—	—	—	—	—
23:16	U-0	U-0	U-0	U-0	U-0	U-0	U-0	R/W-0
	—	—	—	—	—	—	—	LVL16
15:8	R/W-0	R/W-0	R/W-0	R/W-0	R/W-0	R/W-0	R/W-0	R/W-0
	LVL15	LVL14 ⁽¹⁾	LVL13	LVL12 ⁽²⁾	LVL11 ⁽¹⁾	LVL10 ⁽¹⁾	LVL9 ⁽²⁾	LVL8 ⁽¹⁾
7:0	R/W-0	R/W-0	R/W-0	R/W-0	R/W-0	R/W-0	R/W-0	R/W-0
	LVL7 ⁽¹⁾	LVL6 ⁽¹⁾	LVL5	LVL4	LVL3	LVL2	LVL1	LVL0

Legend:

R = Readable bit

W = Writable bit

U = Unimplemented bit, read as '0'

-n = Value at POR

'1' = Bit is set

'0' = Bit is cleared

x = Bit is unknown

bit 31-18 **Unimplemented:** Read as '0'

bit 17-0 **LVL17:LVL0:** Trigger Level and Edge Sensitivity bits

1 = Analog input is sensitive to the high level of its trigger (level sensitivity implies retriggering as long as the trigger signal remains high)

0 = Analog input is sensitive to the positive edge of its trigger (this is the value after a reset)

Note 1: This bit is not available on the 32-pin and 28-pin devices.

Note 2: This bit is not available on the 28-pin devices.

Note 1: This register specifies the trigger level for analog inputs 0 to 17.

PIC32MK MCA Family

REGISTER 23-29: ADCxTIME: DEDICATED HIGH-SPEED ADCx TIMING REGISTER (‘x’ = 0 THROUGH 1)

Bit Range	Bit 31/23/15/7	Bit 30/22/14/6	Bit 29/21/13/5	Bit 28/20/12/4	Bit 27/19/11/3	Bit 26/18/10/2	Bit 25/17/9/1	Bit 24/16/8/0
31:24	U-0	U-0	U-0	R/W-0	R/W-0	R/W-0	R/W-1	R/W-1
	—	—	—	ADCEIS<2:0>			SELRES<1:0>	
23:16	R/W-0	R/W-0	R/W-0	R/W-0	R/W-0	R/W-0	R/W-0	R/W-0
	BCHEN	ADCDIV<6:0>						
15:8	U-0	U-0	U-0	U-0	U-0	U-0	R/W-0	R/W-0
	—	—	—	—	—	—	SAMC<9:8>	
7:0	R/W-0	R/W-0	R/W-0	R/W-0	R/W-0	R/W-0	R/W-0	R/W-0
	SAMC<7:0>							

Legend:

R = Readable bit W = Writable bit U = Unimplemented bit, read as ‘0’
 -n = Value at POR ‘1’ = Bit is set ‘0’ = Bit is cleared x = Bit is unknown

bit 31-29 **Unimplemented:** Read as ‘0’

bit 28-26 **ADCEIS<2:0>:** ADCx Early Interrupt Select bits

111 = The data ready interrupt is generated 8 ADC clocks prior to the end of conversion

110 = The data ready interrupt is generated 7 ADC clocks prior to the end of conversion

⋮

⋮

001 = The data ready interrupt is generated 2 ADC clocks prior to the end of conversion

000 = The data ready interrupt is generated 1 ADC clock prior to the end of conversion

Note: All options are available when the selected resolution, specified by the SELRES<1:0> bits (ADCxTIME<25:24>), is 12-bit or 10-bit. For a selected resolution of 8-bit, options from ‘000’ to ‘101’ are valid. For a selected resolution of 6-bit, options from ‘000’ to ‘011’ are valid.

bit 25-24 **SELRES<1:0>:** ADCx Resolution Select bits

11 = 12 bits

10 = 10 bits

01 = 8 bits

00 = 6 bits

bit 23 **BCHEN:** Buffer Channel Enable bit

1 = ADC data saved in DMA system ram buffer when DMAEN (ADCDSTAT<31>) = 1

0 = ADC data must be read by CPU from appropriate ADC result register

bit 22-16 **ADCDIV<6:0>:** ADCx Clock Divisor bits

These bits divide the ADC control clock with period T_Q to generate the clock for ADCx (T_{ADx}).

1111111 = 254 * T_Q = T_{ADx}

⋮

⋮

0000011 = 6 * T_Q = T_{ADx}

0000010 = 4 * T_Q = T_{ADx}

0000001 = 2 * T_Q = T_{ADx}

0000000 = Reserved

bit 15-10 **Unimplemented:** Read as ‘0’

REGISTER 23-29: ADCxTIME: DEDICATED HIGH-SPEED ADCx TIMING REGISTER (‘x’ = 0 THROUGH 1) (CONTINUED)

bit 9-0 **SAMC<9:0>**: ADCx Sample Time bits

Where TADx = period of the ADC conversion clock for the dedicated ADC controlled by the ADCDIV<6:0> bits.

1111111111 = 1025 TADx

•

•

0000000001 = 3 TADx

0000000000 = 2 TADx

Note: The SAMC sample time is always enforced regardless even if the conversion trigger occurs before SAMC expiration. The conversion trigger event is persistent and will be acknowledged and start the conversion if true, immediately after the SAMC period. ADC0-ADC1 will remain indefinitely in the sample state even after the expiration of SAMC until the trigger event, which will end sampling and start conversion, except when either of the following are true:

-The ADC filter is enabled and the DFMODE bit in the ADCFLTRx register = 0

-The TRGSRCx bit in the ADCTRGx register = Global level software trigger

Note: If ADCFLTRx<AFEN> = 1, then the ADCxTIME<SAMC> min must be \geq to 0x004 or equivalent to \geq 6 TADx. This will correspondingly reduce the max sampling rate possible.

PIC32MK MCA Family

REGISTER 23-30: ADCEIEN1: ADC EARLY INTERRUPT ENABLE REGISTER 1

Bit Range	Bit 31/23/15/7	Bit 30/22/14/6	Bit 29/21/13/5	Bit 28/20/12/4	Bit 27/19/11/3	Bit 26/18/10/2	Bit 25/17/9/1	Bit 24/16/8/0
31:24	U-0	U-0	U-0	U-0	U-0	U-0	U-0	U-0
	—	—	—	—	—	—	—	—
23:16	U-0	U-0	U-0	U-0	U-0	U-0	R/W-0	R/W-0
	—	—	—	—	—	—	EIEN17	EIEN16
15:8	R/W-0	R/W-0	R/W-0	R/W-0	R/W-0	R/W-0	R/W-0	R/W-0
	EIEN15	EIEN14 ⁽¹⁾	EIEN13	EIEN12 ⁽²⁾	EIEN11 ⁽¹⁾	EIEN10 ⁽¹⁾	EIEN9 ⁽²⁾	EIEN8 ⁽¹⁾
7:0	R/W-0	R/W-0	R/W-0	R/W-0	R/W-0	R/W-0	R/W-0	R/W-0
	EIEN7 ⁽¹⁾	EIEN6 ⁽¹⁾	EIEN5	EIEN4	EIEN3	EIEN2	EIEN1	EIEN0

Legend:	HS = Hardware Set	C = Clearable bit
R = Readable bit	W = Writable bit	U = Unimplemented bit, read as '0'
-n = Value at POR	'1' = Bit is set	'0' = Bit is cleared x = Bit is unknown

bit 31-18 **Unimplemented:** Read as '0'

bit 17-0 **EIEN17:EIEN0:** Early Interrupt Enable for Analog Input bits

- 1 = Early Interrupts are enabled for the selected analog input. The interrupt is generated after the early interrupt event occurs (indicated by the EIRDYx bit ('x' = 17-0) of the ADCEIEN1 register)
- 0 = Interrupts are disabled

Note 1: This bit is not available on the 32-pin and 28-pin devices.

Note 2: This bit is not available on the 28-pin devices.

PIC32MK MCA Family

REGISTER 23-31: ADCEIEN2: ADC EARLY INTERRUPT ENABLE REGISTER 2

Bit Range	Bit 31/23/15/7	Bit 30/22/14/6	Bit 29/21/13/5	Bit 28/20/12/4	Bit 27/19/11/3	Bit 26/18/10/2	Bit 25/17/9/1	Bit 24/16/8/0
31:24	U-0	U-0	U-0	U-0	U-0	U-0	U-0	U-0
	—	—	—	—	—	—	—	—
23:16	U-0	U-0	R/W-0	U-0	U-0	R/W-0	U-0	U-0
	—	—	EIEN53	—	—	EIEN50	—	—
15:8	U-0	U-0	U-0	U-0	U-0	U-0	U-0	U-0
	—	—	—	—	—	—	—	—
7:0	U-0	U-0	U-0	U-0	U-0	U-0	U-0	U-0
	—	—	—	—	—	—	—	—

Legend:	HS = Hardware Set	C = Clearable bit
R = Readable bit	W = Writable bit	U = Unimplemented bit, read as '0'
-n = Value at POR	'1' = Bit is set	'0' = Bit is cleared x = Bit is unknown

bit 31-22 **Unimplemented:** Read as '0'

bit 21 **EIEN53:** Early Interrupt Enable for Analog Input bits

- 1 = Early Interrupts are enabled for the selected analog input. The interrupt is generated after the early interrupt event occurs (indicated by the EIRDY53 bit of the ADCEIEN2 register)
- 0 = Interrupts are disabled

bit 20-19 **Unimplemented:** Read as '0'

bit 18 **EIEN50:** Early Interrupt Enable for Analog Input bits

- 1 = Early Interrupts are enabled for the selected analog input. The interrupt is generated after the early interrupt event occurs (indicated by the EIRDY50 bit of the ADCEIEN2 register)
- 0 = Interrupts are disabled

bit 17-0 **Unimplemented:** Read as '0'

PIC32MK MCA Family

REGISTER 23-32: ADCEIEN1: ADC EARLY INTERRUPT STATUS REGISTER 1

Bit Range	Bit 31/23/15/7	Bit 30/22/14/6	Bit 29/21/13/5	Bit 28/20/12/4	Bit 27/19/11/3	Bit 26/18/10/2	Bit 25/17/9/1	Bit 24/16/8/0
31:24	U-0	U-0	U-0	U-0	U-0	U-0	U-0	U-0
	—	—	—	—	—	—	—	—
23:16	U-0	U-0	U-0	U-0	U-0	U-0	R-0, HS, HC	R-0, HS, HC
	—	—	—	—	—	—	EIRDY17	EIRDY16
15:8	R-0, HS, HC	R-0, HS, HC	R-0, HS, HC	R-0, HS, HC	R-0, HS, HC	R-0, HS, HC	R-0, HS, HC	R-0, HS, HC
	EIRDY15	EIRDY14 ⁽¹⁾	EIRDY13	EIRDY12 ⁽²⁾	EIRDY11 ⁽¹⁾	EIRDY10 ⁽¹⁾	EIRDY9 ⁽²⁾	EIRDY8 ⁽¹⁾
7:0	R-0, HS, HC	R-0, HS, HC	R-0, HS, HC	R-0, HS, HC	R-0, HS, HC	R-0, HS, HC	R-0, HS, HC	R-0, HS, HC
	EIRDY7 ⁽¹⁾	EIRDY6 ⁽¹⁾	EIRDY5	EIRDY4	EIRDY3	EIRDY2	EIRDY1	EIRDY0

Legend:	HS = Hardware Set	HC = Cleared by hardware
R = Readable bit	W = Writable bit	U = Unimplemented bit, read as '0'
-n = Value at POR	'1' = Bit is set	'0' = Bit is cleared x = Bit is unknown

bit 31-18 **Unimplemented:** Read as '0'

bit 17-0 **EIRDY17:EIRDY0:** Early Interrupt for Corresponding Analog Input Ready bits

- 1 = This bit is set when the early interrupt event occurs for the specified analog input. An interrupt will be generated if early interrupts are enabled in the ADCEIEN1 register. For the Class 1 analog inputs, this bit will set as per the configuration of the ADCEIS<2:0> bits in the ADCxTIME register. For the shared ADC module, this bit will be set as per the configuration of the ADCEIS<2:0> bits in the ADCCON2 register.
- 0 = Interrupts are disabled

- Note 1:** This bit is not available on the 32-pin and 28-pin devices.
Note 2: This bit is not available on the 28-pin devices.

PIC32MK MCA Family

REGISTER 23-33: ADCEIEN2: ADC EARLY INTERRUPT STATUS REGISTER 2

Bit Range	Bit 31/23/15/7	Bit 30/22/14/6	Bit 29/21/13/5	Bit 28/20/12/4	Bit 27/19/11/3	Bit 26/18/10/2	Bit 25/17/9/1	Bit 24/16/8/0
31:24	U-0 —	U-0 —	U-0 —	U-0 —	U-0 —	U-0 —	U-0 —	U-0 —
23:16	U-0 —	U-0 —	R-0, HS, HC EIRDY53	U-0 —	U-0 —	R-0, HS, HC EIRDY50	U-0 —	U-0 —
15:8	U-0 —	U-0 —	U-0 —	U-0 —	U-0 —	U-0 —	U-0 —	U-0 —
7:0	U-0 —	U-0 —	U-0 —	U-0 —	U-0 —	U-0 —	U-0 —	U-0 —

Legend:	HS = Hardware Set	HC = Cleared by hardware
R = Readable bit	W = Writable bit	U = Unimplemented bit, read as '0'
-n = Value at POR	'1' = Bit is set	'0' = Bit is cleared x = Bit is unknown

bit 31-22 **Unimplemented:** Read as '0'

bit 21 **EIRDY53:** Early Interrupt for Corresponding Analog Input Ready bits

1 = This bit is set when the early interrupt event occurs for the specified analog input. An interrupt will be generated if early interrupts are enabled in the ADCEIEN2 register. For the Class 1 analog inputs, this bit will set as per the configuration of the ADCEIS<2:0> bits in the ADCxTIME register. For the shared ADC module, this bit will be set as per the configuration of the ADCEIS<2:0> bits in the ADCCON2 register.

0 = Interrupts are disabled

bit 20-19 **Unimplemented:** Read as '0'

bit 18 **EIRDY50:** Early Interrupt for Corresponding Analog Input Ready bits

1 = This bit is set when the early interrupt event occurs for the specified analog input. An interrupt will be generated if early interrupts are enabled in the ADCEIEN2 register. For the Class 1 analog inputs, this bit will set as per the configuration of the ADCEIS<2:0> bits in the ADCxTIME register. For the shared ADC module, this bit will be set as per the configuration of the ADCEIS<2:0> bits in the ADCCON2 register.

0 = Interrupts are disabled

bit 17-0 **Unimplemented:** Read as '0'

PIC32MK MCA Family

REGISTER 23-34: ADCANCON: ADC ANALOG WARM-UP CONTROL REGISTER

Bit Range	Bit 31/23/15/7	Bit 30/22/14/6	Bit 29/21/13/5	Bit 28/20/12/4	Bit 27/19/11/3	Bit 26/18/10/2	Bit 25/17/9/1	Bit 24/16/8/0
31:24	U-0	U-0	U-0	U-0	R/W-0	R/W-0	R/W-0	R/W-0
	—	—	—	—	WKUPCLKCNT<3:0>			
23:16	R/W-0	U-0	U-0	U-0	U-0	U-0	R/W-0	R/W-0
	WKIEN7	—	—	—	—	—	WKIEN1	WKIEN0
15:8	R-0, HS, HC	U-0	U-0	U-0	U-0	U-0	R-0, HS, HC	R-0, HS, HC
	WKRDY7	—	—	—	—	—	WKRDY1	WKRDY0
7:0	R/W-0	U-0	U-0	U-0	U-0	U-0	R/W-0	R/W-0
	ANEN7	—	—	—	—	—	ANEN1	ANEN0

Legend:	HS = Hardware Set	HC = Cleared by Software
R = Readable bit	W = Writable bit	U = Unimplemented bit, read as '0'
-n = Value at POR	'1' = Bit is set	'0' = Bit is cleared x = Bit is unknown

bit 31-28 **Unimplemented:** Read as '0'

bit 27-24 **WKUPCLKCNT<3:0>:** Wake-up Clock Count bits

These bits represent the number of ADC clocks required to warm-up the ADC module before it can perform conversion. Although the clocks are specific to each ADC, the WKUPCLKCNT bit is common to all ADC modules.

$$1111 = 2^{15} = 32,768 \text{ clocks}$$

•
•

$$0110 = 2^6 = 64 \text{ clocks}$$

$$0101 = 2^5 = 32 \text{ clocks}$$

$$0100 = 2^4 = 16 \text{ clocks}$$

$$0011 = 2^4 = 16 \text{ clocks}$$

$$0010 = 2^4 = 16 \text{ clocks}$$

$$0001 = 2^4 = 16 \text{ clocks}$$

$$0000 = 2^4 = 16 \text{ clocks}$$

Note: Minimum required ADCx warm-up time, (i.e., WKUPCLKCNT), is the lesser of 500 ADC clocks, (i.e., TAD), or 20 μ s.

bit 23 **WKIEN7:** Shared ADC (ADC7) Wake-up Interrupt Enable bit

1 = Enable interrupt and generate interrupt when the WKRDY7 status bit is set

0 = Disable interrupt

bit 22-18 **Unimplemented:** Read as '0'

bit 17-16 **WKIEN1:** ADC0, ADC1 Wake-up Interrupt Enable bit

1 = Enable interrupt and generate interrupt when the WKRDYx status bit is set

0 = Disable interrupt

bit 15 **WKRDY7:** Shared ADC (ADC7) Wake-up Status bit

1 = ADC7 Analog and Bias circuitry ready after the wake-up count number $2^{WKUPEXP}$ clocks after setting ANEN7 to '1'

0 = ADC7 Analog and Bias circuitry is not ready

Note: This bit is cleared by hardware when the ANEN7 bit is cleared

bit 14-10 **Unimplemented:** Read as '0'

bit 9-8 **WKRDY1:WKRDY0:** ADC1-ADC0 Wake-up Status bit

1 = ADCx Analog and Bias circuitry ready after the wake-up count number $2^{WKUPEXP}$ clocks after setting ANENx to '1'

0 = ADCx Analog and Bias circuitry is not ready

Note: These bits are cleared by hardware when the ANENx bit is cleared

REGISTER 23-34: ADCANCON: ADC ANALOG WARM-UP CONTROL REGISTER (CONTINUED)

- bit 7 **ANEN7:** Shared ADC (ADC7) Analog and Bias Circuitry Enable bit
1 = Analog and bias circuitry enabled. Once the analog and bias circuit is enabled, the ADC module needs a warm-up time, as defined by the WKUPCLKCNT<3:0> bits.
0 = Analog and bias circuitry disabled
- bit 6-2 **Unimplemented:** Read as '0'
- bit 1-0 **ANEN1:ANEN0:** ADC1-ADC0 Analog and Bias Circuitry Enable bits
1 = Analog and bias circuitry enabled. Once the analog and bias circuit is enabled, the ADC module needs a warm-up time, as defined by the WKUPCLKCNT<3:0> bits.
0 = Analog and bias circuitry disabled

PIC32MK MCA Family

REGISTER 23-35: ADCxCFG: ADCx CONFIGURATION REGISTER ('x' = 0 THROUGH 5 and 7)

Bit Range	Bit 31/23/15/7	Bit 30/22/14/6	Bit 29/21/13/5	Bit 28/20/12/4	Bit 27/19/11/3	Bit 26/18/10/2	Bit 25/17/9/1	Bit 24/16/8/0
31:24	R/W-0	R/W-0	R/W-0	R/W-0	R/W-0	R/W-0	R/W-0	R/W-0
	ADCCFG<31:24>							
23:16	R/W-0	R/W-0	R/W-0	R/W-0	R/W-0	R/W-0	R/W-0	R/W-0
	ADCCFG<23:16>							
15:8	R/W-0	R/W-0	R/W-0	R/W-0	R/W-0	R/W-0	R/W-0	R/W-0
	ADCCFG<15:8>							
7:0	R/W-0	R/W-0	R/W-0	R/W-0	R/W-0	R/W-0	R/W-0	R/W-0
	ADCCFG<7:0>							

Legend:

R = Readable bit W = Writable bit U = Unimplemented bit, read as '0'
 -n = Value at POR '1' = Bit is set '0' = Bit is cleared x = Bit is unknown

bit 31-0 **ADCCFG<31:0>**: ADC Module Configuration Data bits

Note: These bits can only change when the applicable ANENx bit in the ADCANCON register is cleared. These are calibration values determined at product test time and are provided to the user to copy and write into these registers.

PIC32MK MCA Family

REGISTER 23-36: ADCSYSCFG0: ADC SYSTEM CONFIGURATION REGISTER 0

Bit Range	Bit 31/23/15/7	Bit 30/22/14/6	Bit 29/21/13/5	Bit 28/20/12/4	Bit 27/19/11/3	Bit 26/18/10/2	Bit 25/17/9/1	Bit 24/16/8/0
31:24	U-0	U-0	U-0	U-0	U-0	U-0	U-0	U-0
	—	—	—	—	—	—	—	—
23:16	U-0	U-0	U-0	U-0	U-0	U-0	HC, HS, R-0	HC, HS, R-0
	—	—	—	—	—	—	AN17	AN16
15:8	HC, HS, R-0	HC, HS, R-0	HC, HS, R-0	HC, HS, R-0	HC, HS, R-0	HC, HS, R-0	HC, HS, R-0	HC, HS, R-0
	AN15	AN14 ⁽¹⁾	AN13	AN12 ⁽²⁾	AN11 ⁽¹⁾	AN10 ⁽¹⁾	AN9 ⁽²⁾	AN8 ⁽¹⁾
7:0	HC, HS, R-0	HC, HS, R-0	HC, HS, R-0	HC, HS, R-0	HC, HS, R-0	HC, HS, R-0	HC, HS, R-0	HC, HS, R-0
	AN7 ⁽¹⁾	AN6 ⁽¹⁾	AN5	AN4	AN3	AN2	AN1	AN0

Legend:	HS = Hardware Set	HC = Cleared by Software
R = Readable bit	W = Writable bit	U = Unimplemented bit, read as '0'
-n = Value at POR	'1' = Bit is set	'0' = Bit is cleared x = Bit is unknown

bit 31-18 **Unimplemented:** Read as '0'

bit 17-0 **AN17:AN0>:** ADC Analog Input bits

These bits reflect the system configuration and are updated during boot-up time. By reading these read-only bits, the user application can determine whether or not an analog input in the device is available.

AN<17:0>: Reflects the presence or absence of the respective analog input (AN17-AN0).

Note 1: This bit is not available on the 32-pin and 28-pin devices.

Note 2: This bit is not available on the 28-pin devices.

PIC32MK MCA Family

REGISTER 23-37: ADCSYSCFG1: ADC SYSTEM CONFIGURATION REGISTER 1

Bit Range	Bit 31/23/15/7	Bit 30/22/14/6	Bit 29/21/13/5	Bit 28/20/12/4	Bit 27/19/11/3	Bit 26/18/10/2	Bit 25/17/9/1	Bit 24/16/8/0
31:24	U-0	U-0	U-0	U-0	U-0	U-0	U-0	U-0
	—	—	—	—	—	—	—	—
23:16	U-0	U-0	HC, HS, R-0	r-0	r-1	HC, HS, R-0	U-0	U-0
	—	—	AN53 ⁽¹⁾	—	—	AN50 ⁽¹⁾	—	—
15:8	U-0	U-0	U-0	U-0	U-0	U-0	U-0	U-0
	—	—	—	—	—	—	—	—
7:0	U-0	U-0	U-0	U-0	U-0	U-0	U-0	U-0
	—	—	—	—	—	—	—	—

Legend:	HS = Hardware Set	HC = Cleared by Software
R = Readable bit	W = Writable bit	U = Unimplemented bit, read as '0' r = Reserved bit
-n = Value at POR	'1' = Bit is set	'0' = Bit is cleared x = Bit is unknown

bit 31-22 **Unimplemented:** Read as '0'

bit 21 **AN53:** ADC Analog Input bits

These bits reflect the system configuration and are updated during boot-up time. By reading these read-only bits, the user application can determine whether or not an analog input in the device is available.

bit 20-19 **Reserved**

bit 18 **AN50:** ADC Analog Input bits

These bits reflect the system configuration and are updated during boot-up time. By reading these read-only bits, the user application can determine whether or not an analog input in the device is available.

bit 17-0 **Unimplemented:** Read as '0'

Note 1: Internal Analog inputs: AN50 = IVREF (1.2V), AN53 = CTMU_TEMP.

24.0 OP AMP/COMPARATOR MODULE

Note: This data sheet summarizes the features of the PIC32MK MCA Family of devices. It is not intended to be a comprehensive reference source. To complement the information in this data sheet, refer to **Section 39. “Op amp/Comparator”** (DS60001178), which is available from the *Documentation > Reference Manual* section of the Microchip PIC32 web site (www.microchip.com/pic32).

Depending on the device, the op amp/comparator module consists of a Comparator and op amp modules. When available, the op amps can be independently enabled or disabled from the Comparator.

The following are key features of the comparator module:

- Differential inputs
- Rail-to-rail operation
- Selectable output and trigger event polarity
- Selectable inputs:
 - Analog inputs multiplexed with I/O pins
 - On-chip internal voltage reference via a 12-bit CDAC output or an external pin
- Output debounce or Digital noise filter with these selectable clocks:
 - Peripheral Bus Clock (PBCLK2)
 - System Clock (SYSCLK)
 - Reference Clock 3 (REFCLK3)
 - PBCLK2/Timer PRx ('x' = 2-5)
 - PWM Secondary Special Event
- Outputs can be internally configured as trigger sources

The following are key features of the op amps:

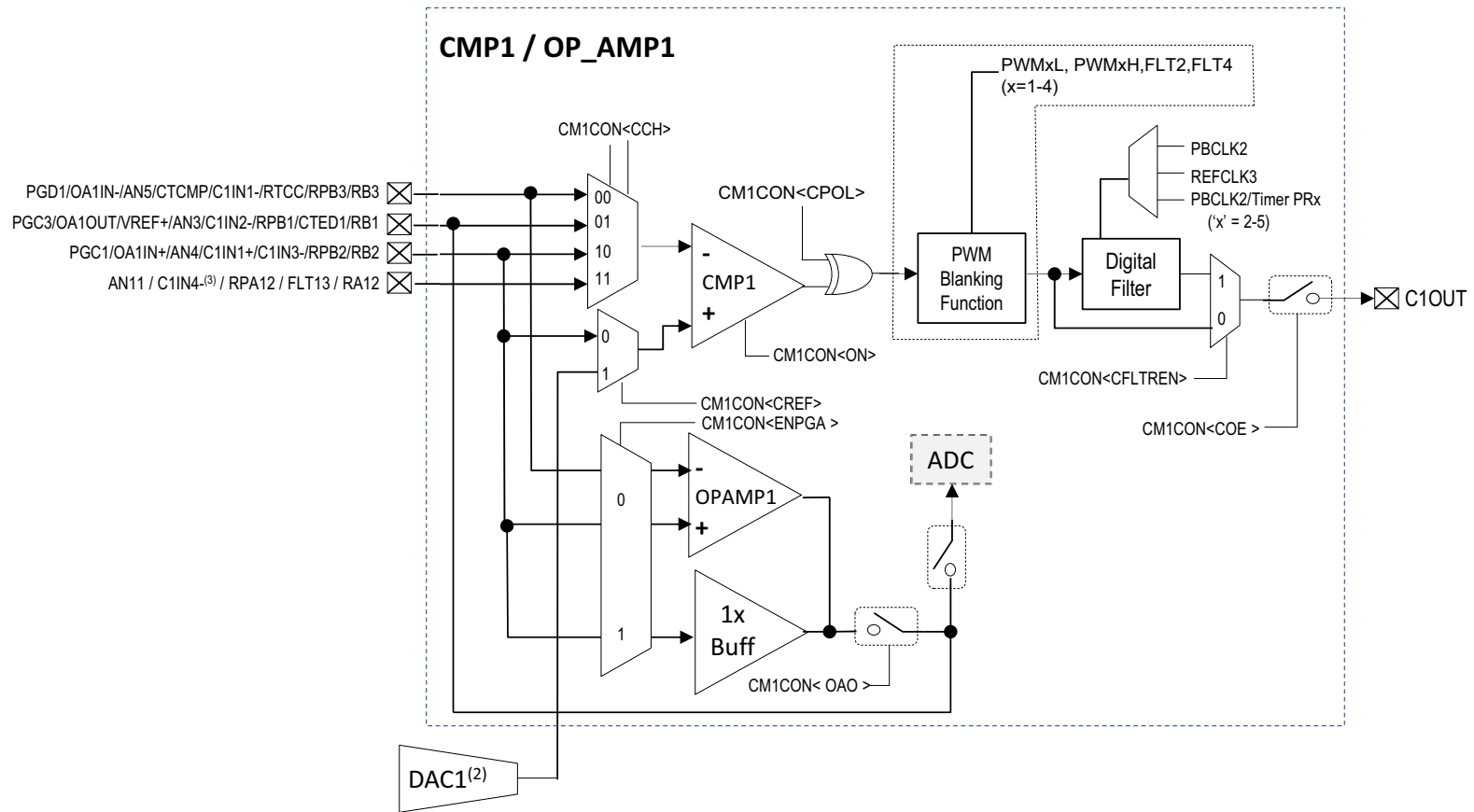
- Inverting and non-inverting Inputs and output accessible on pins
- Rail-to-rail operation ($3V \leq AV_{DD} \leq 3.6V$)
- Internal connection to ADC Sample and Hold circuits/SAR cores
- Special voltage follower mode for buffering signals
- Low-power mode
- 10 ma IOL/IOH (Sink/Source)

Please refer to the PIC32MK GP Family Features in **TABLE 1: “PIC32MK MCA Family Features”** for the actual number of available op amp/Comparator modules on your specific device.

Block diagrams of the op amp/comparator module are illustrated in [Figure 24-1](#) through [Figure 24.1](#).

Note: The Op amps are disabled by default (i.e., OPAXMD bit in the PMD2 register is equal to '1') on any Reset. Before use or access to any corresponding op amp, ensure that the OPAXMD bit is equal to '0'.

FIGURE 24-1: OP AMP 1/COMPARATOR 1 MODULE BLOCK DIAGRAM



- Note**
- 1: Refer to the device pin tables (Table 3 and Table 5) for other analog inputs that may be also be connected to the Op amp and Comparator inputs.
 - 2: Caution: To avoid false comparator output faults or glitches when using the internal DAC as a comparator reference, always initialize the DAC before initializing and enabling the comparator.
 - 3: Not available on 32 & 28 pin devices.
 - 4: Not available on 28 pin devices.

FIGURE 24-2: OP AMP 2/COMPARATOR 2 MODULE BLOCK DIAGRAM

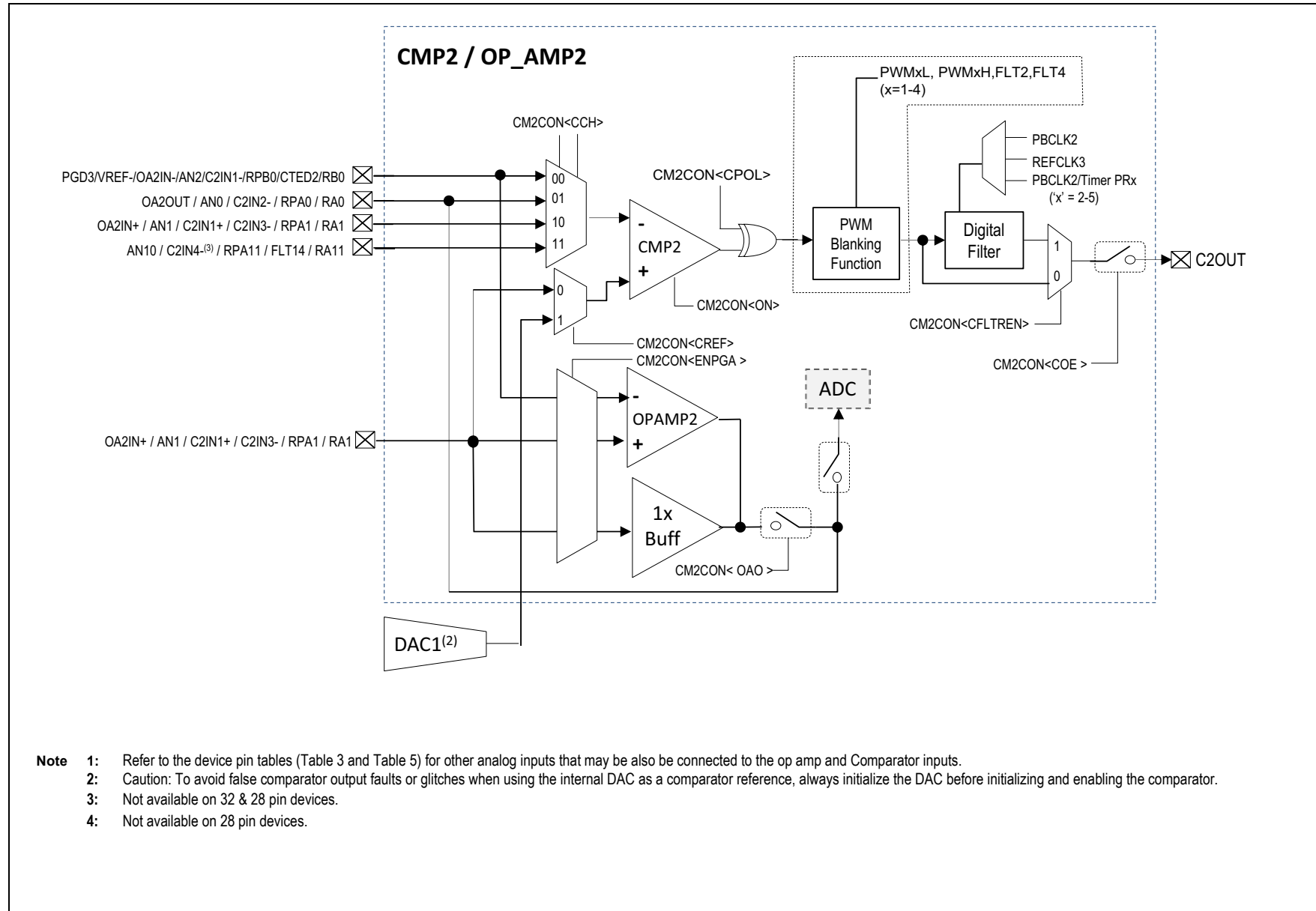
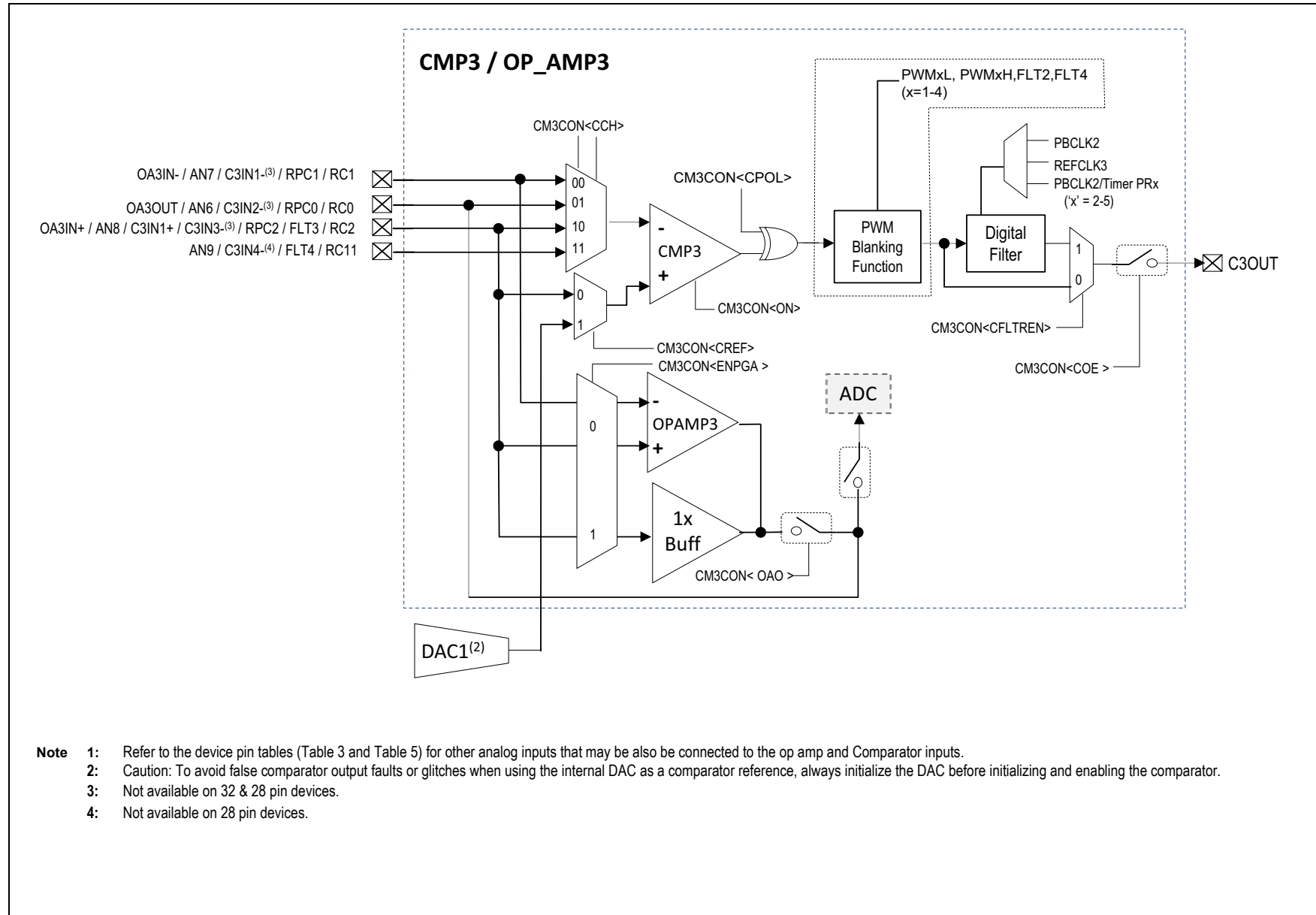


FIGURE 24-3: OP AMP 3/COMPARATOR 3 MODULE BLOCK DIAGRAM



24.1 Comparator Interface

The Comparators also have both their inverting and non-inverting inputs accessible via device pins. The non-inverting input pins can be connected to an internal 12-bit CDAC to generate a precise reference or to an external reference through a pin. These references can be individually selected for each comparator module. The inverting inputs can be connected to one of four external pins or internally to outputs of the op amps. The Comparator outputs can be entirely disabled from appearing on the output pins, which relieves a pin for other uses, remapped to different pins via the peripheral pin select module, and selected to active-high or active-low polarity.

In Comparator modules that do not implement the op amp, the Comparator module has a different input selection configuration.

The stand-alone Comparator implements a 4 x 1 multiplexer at the inverting input to enable selection of the desired signal to compare against the non-inverting input. Up to three outputs of op amps can be internally connected to the Comparator through the multiplexer.

The Comparator may be enabled or disabled using the corresponding ON bit (CMxCON<15>) in the op amp/Comparator Control register. When the Comparator is disabled, the corresponding trigger and interrupt generation is disabled as well.

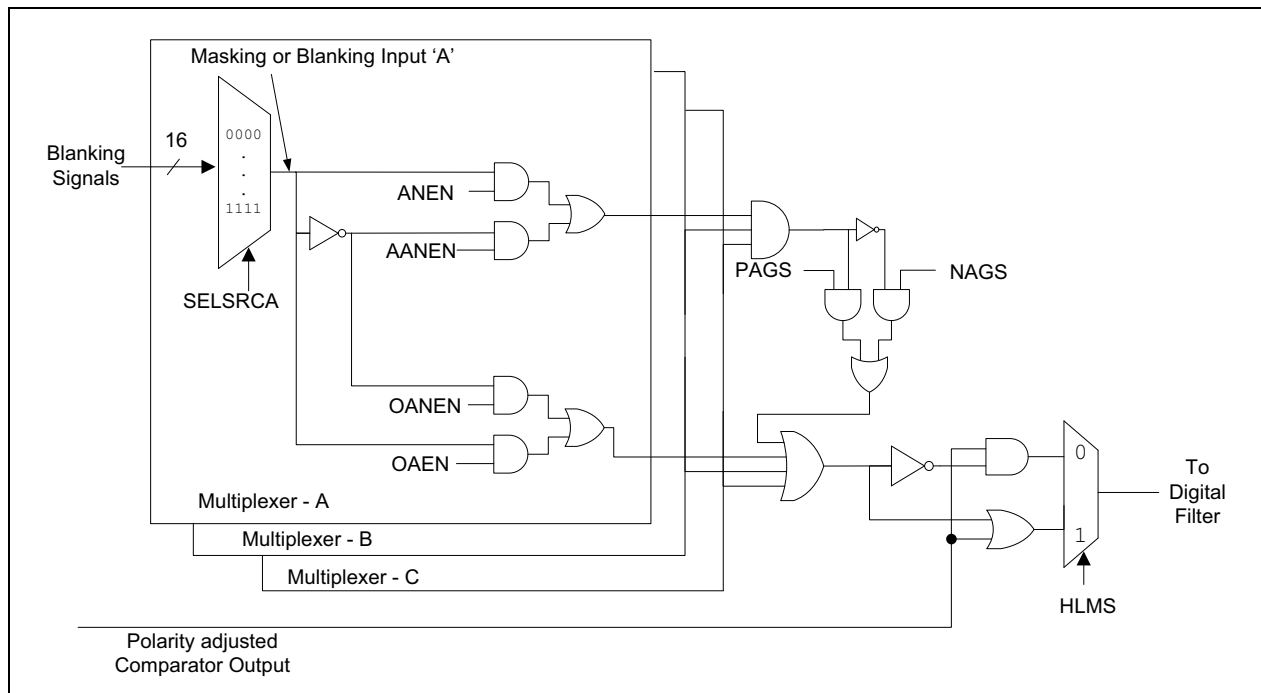
It is recommended to first configure the CMxCON register with all bits to the desired value, and then set the ON bit. When not used, the Comparator should be disabled expressly by writing a '0' to the ON bit.

24.2 Comparator Output Blanking

The outputs of the Comparators can be further blanked/masked based on external events for programmable durations. This feature can be very useful in reducing the interrupt or trigger frequencies. It is primarily used to select Comparator events (interrupts and triggers) synchronized to desired edge transitions on external digital signals such as the PWM outputs from the MCPWM module. A prudent choice of these external signals has potential to greatly simplify software where otherwise extra software logic will be needed to arbitrate for the desired event source. Refer to the Comparator Mask Control Register, CMxMSKCON (Register 24-3), for details on the 16 different external signals that can be used for masking.

The logic AND, logic OR and multiplexer blocks shown in Figure 24-4 can be visualized as built-in programmable array logic used to reject the unwanted transitions of the comparator output. For each Comparator, the multiplexers A, B, and C can logically AND or OR either the positive or negative levels (edges) of the 16 different external signals. The outputs of the multiplexers can then be ANDed or ORed together with the AND logic outputs of the multiplexers being further capable of selection for positive or negative transitions as shown in the diagram. For a detailed usage of the output blanking feature, refer to **Section 39. "Op Amp/Comparator"** (DS60001178) of the "PIC32 Family reference Manual".

FIGURE 24-4: USER PROGRAMMABLE BLANKING FUNCTION DIAGRAM

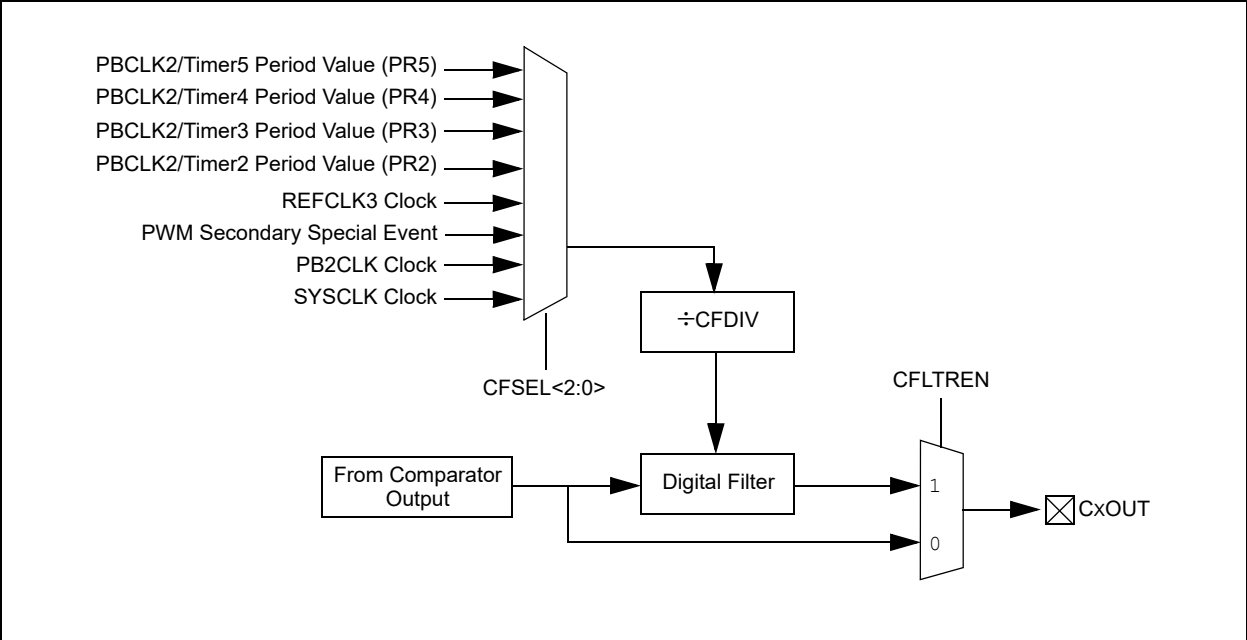


PIC32MK MCA Family

24.3 Comparator Output Filtering

The outputs can also be digitally filtered for glitches or noise. The digital filter has the capability to sample at different frequencies using different clock sources specified by the CFSEL<2:0> bits in the CxCON register. The digital filter looks for three consecutive samples of the same logic state before updating the comparator output. Since the digital filter affects the response times of the output, care should be taken while choosing the filter clock divisor to best suit the application at hand.

FIGURE 24-5: DIGITAL FILTER INTERCONNECT BLOCK DIAGRAM



24.4 Op amp Interface

The PIC32MK family of devices implement four op amps and comparators. The op amp can be configured to operate in two different modes: Regular op amp mode and Unity Gain mode.

When an op amp is available on a op amp/Comparator module, both of its inputs and output are accessible at the device pins. The op amp's Unity Gain mode is the only exception to this rule, which is described in [24.9 "Comparator Configuration"](#). The op amp is disabled at reset and has to be enabled by writing a '1' to CMxCON<OPAON>, (i.e., (CMxCON<31>).

The op amp outputs are capable of rail-to-rail operation, which are limited by the maximum output load current. Refer to [35.0 "Electrical Characteristics"](#) for the op amp minimum gain requirements and VOH/VOL loading specifications.

Note: The exception to the minimum gain specification is the special internal Unity Gain buffer mode.

[Table 25-1](#) provides the different SFR bits and their logic states to set the op amp in two different modes of operation.

TABLE 24-1: OP AMP(X) FUNCTIONAL MODES (X=1-3)

Op-Amp Functional Mode	CMxCON<OPAON>	CMxCON<ENPGA>	CMxCON<OPLPWR>
High-Performance Mode > 10 MHz, Gain ≥ 2	1	0	0
High-Performance Unity Gain Mode > 10 MHz	1	1	0
Low-Power Mode ≤ 10 MHz, Gain ≥ 2	1	0	1
Low-Power Unity Gain Mode ≤ 10 MHz	1	1	1
Op-amp output Tri-Stated	0	X	X

24.5 Op amp Mode

The op amp in the op amp/Comparator module can be enabled by writing a '1' to CMxCON<OPAON>. When configured this way, the output of the Op amp is available at the OAxOUT pin for the external gain/filtering components to be added in the feedback path.

With the proper configuration of the ADC module, the op amp can be configured such that the ADC can directly sample the output of the op amp without the need to route the op amp output to a separate analog input pin (see [Figure 24-14](#)).

CMxCON<ENPGA> = 1 configures the op amp for unity gain 1x mode configuration. For CMxCON<ENPGA> = 0, the minimum Gain ≥ 2 using external resistors as shown in the op amp configuration figures. The RFB in the differential amplifier configuration example must be part of any calculated maximum IOH/IOL load, see [Figure 24-14](#).

- CM1CON2<30> = 1 for Op amp 1
- CM2CON2<30> = 1 for Op amp 2
- CM3CON2<30> = 1 for Op amp 3

Refer to [35.0 "Electrical Characteristics"](#) for the specifications in this mode.

24.6 Op amp Unity Gain Mode

Usually the op amps have a minimum gain stable setting as defined in [Table 35-28](#) in [35.0 "Electrical Characteristics"](#). However, there is one exception in that the op amps have an internal 1x gain setting (i.e., the CMxCON<ENPGA> = 1). The mode utilizes only the Non-inverting input pin of the op amp. This configuration needs no external components. The op amps will be placed in a unity gain/follower mode following a software write to these bits:

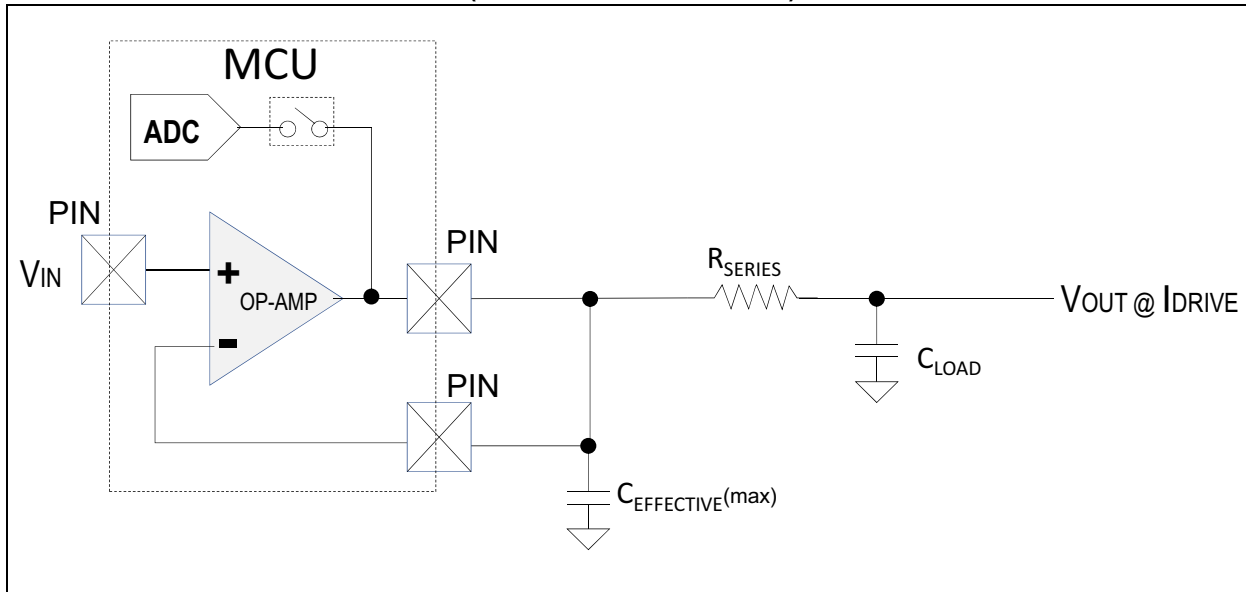
PIC32MK MCA Family

24.7 OP-AMP HIGH PERFORMANCE MODE 10 MHz-100 MHz USE REQUIREMENTS (CMxCON<OPLPWR> = 0)

- PIC32 Package I/O pin capacitance/ea. = 4 pf
- Standard PCB = 1.5 pf per 12.5 mm (0.5 inches) (TRACE W = 0.175 mm, H = 36 μm, T= 113 μm)
- $C_{EFFECTIVE} = (\text{Package Pin capacitance} + \text{PCB trace capacitance})$
- $C_{LOAD} = (\text{PIC32 Package pin capacitance} + \text{PCB trace capacitance} + \text{Target destination input pin capacitance})$
- BANDWIDTH = User Application Desired Maximum bandwidth ≤ 100 MHz
- $V_{IN(max)} = AVDD/\text{Gain}$

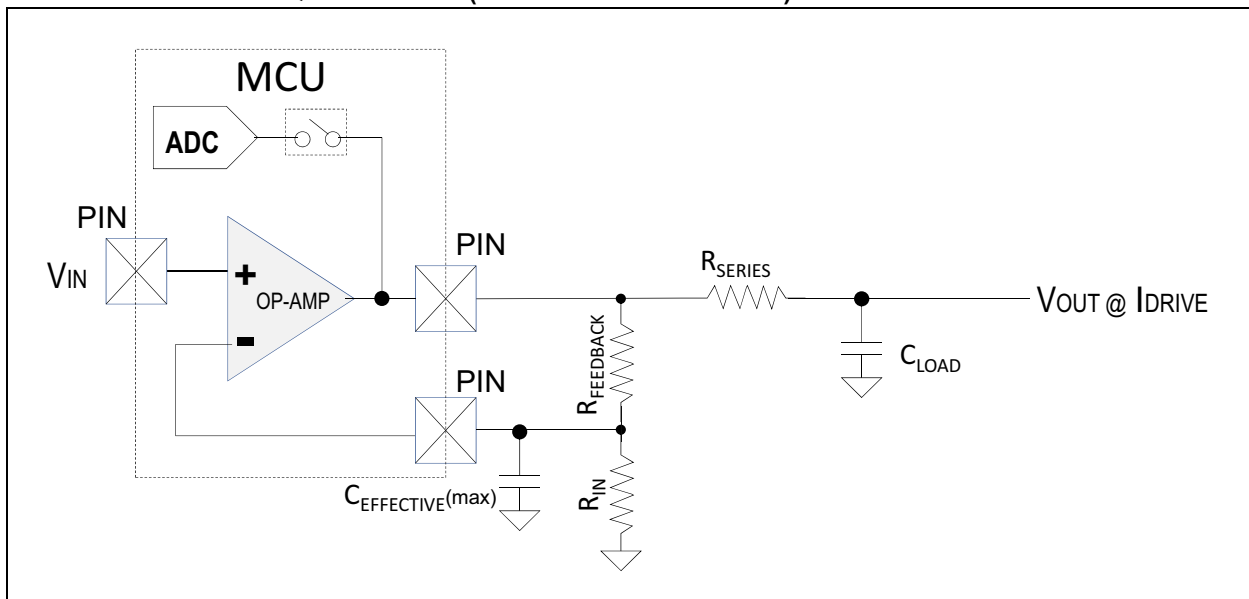
Note: In High-Performance mode ≥ 10 MHz all op amp traces must be as short as possible on the same layer if possible as MCU and employ surface mount resistors. Op amp traces must have a continuous ground plane beneath them, and not routed adjacent to digital high frequency signals without a ground guard trace separating them or alternately crossing at right angles to minimize the cross-sectional area for capacitive coupling.

FIGURE 24-6: OP-AMP UNITY GAIN HIGH PERFORMANCE ≥ 10 MHz SINGLE ENDED MODE REQUIREMENTS (CMXCON<OPLPWR> = 0)



- $C_{EFFECTIVE} \leq 24 \text{ pf maximum}$
- $R_{SERIES} = 5 / (2\pi * C_{LOAD} * \text{BANDWIDTH})$
- $V_{OUT} = V_{IN}$

FIGURE 24-7: OP-AMP GAIN ≥ 2: HIGH PERFORMANCE ≥ 10 MHz SINGLE ENDED MODE REQUIREMENTS (CMxCON<OPLPWR> = 0)



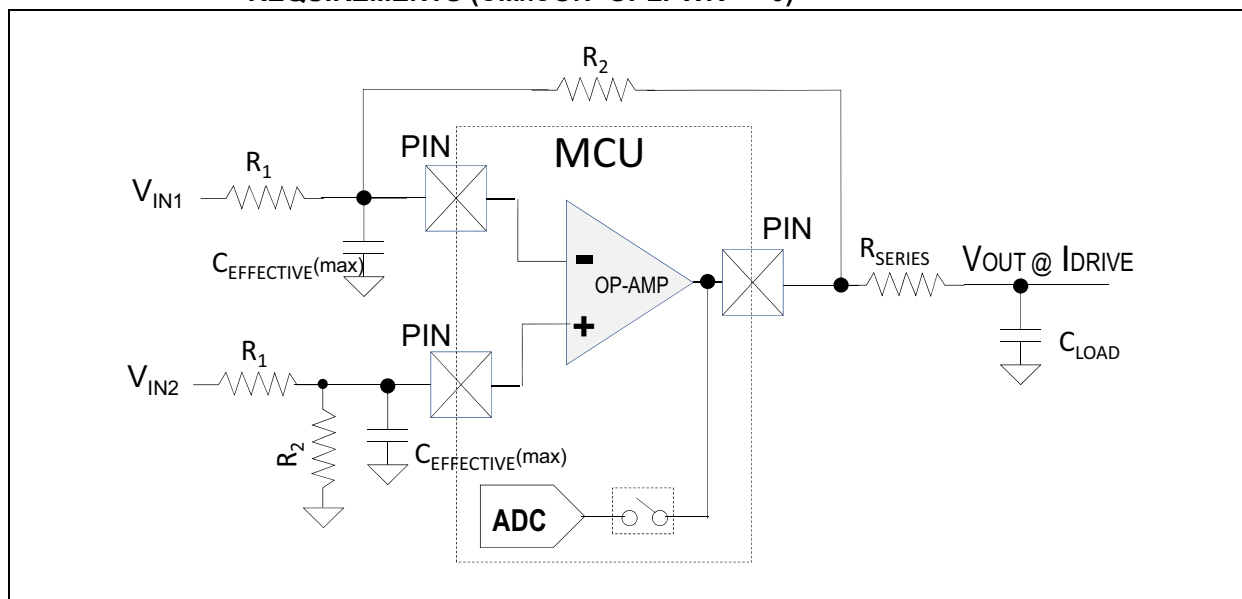
- PIC32 Package I/O pin capacitance/ea. = 4 pf
- Standard PCB = 1.5 pf per 12.5 mm(0.5 inches)
(TRACE W = 0.175 mm, H = 36 μm, T = 113 μm)
- CEFFECTIVE = (Package Pin capacitance + PCB trace capacitance)
- CEFFECTIVE ≤ 16 pf maximum
- $R_{IN} \Omega = ((8 \text{ pf} / C_{EFFECTIVE}) * 300)$

Note: CEFFECTIVE Typ = 8 pf in figure 25-9 if no other node connections.

- $R_{FEEDBACK} \Omega = ((\text{Desired User Gain} - 1) * R_{IN})$
- $\text{Gain} = (1 + (R_{FEEDBACK} / R_{IN}))$
- $I_{DRIVE} (\text{min}) = (10 \text{ ma} - (V_{IN} (\text{pk}) / R_{IN}))$
- $R_{SERIES} = 5 / (2\pi * C_{LOAD} * \text{BANDWIDTH})$
- $V_{OUT} = V_{IN} * \text{Gain}$
- PCB Layout Considerations:
 - RFEEDBACK & RIN should be as close to PIC32 pins as possible
- CLOAD (maximum) ≤ 32 pf

PIC32MK MCA Family

FIGURE 24-8: OP-AMP HIGH PERFORMANCE ≥ 10 MHZ DIFFERENTIAL MODE REQUIREMENTS (CMxCON<OPLPWR> = 0)

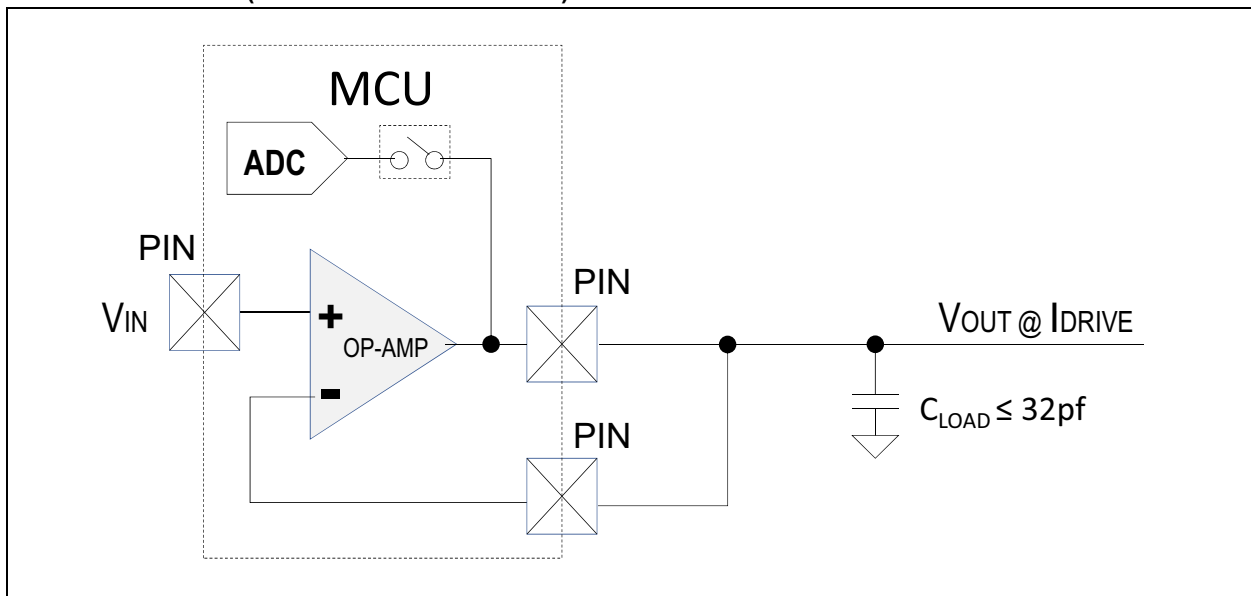


- PIC32 Package I/O pin capacitance/ea. = 4 pf
 - Standard PCB = 1.5 pf per 12.5 mm (0.5 inches)
(TRACE W = 0.175 mm, H = 36 μ m, T = 113 μ m)
 - CEFFECTIVE = (Package Pin capacitance + PCB trace capacitance)
 - CEFFECTIVE \leq 16 pf maximum
 - $R_1 \Omega = ((8 \text{ PF} / \text{CEFFECTIVE}) * 300)$
- Note:** CEFFECTIVE Typ = 8 pf in figure X-3 if no other node connections.
- $R_2 \Omega = ((\text{DESIRED USER GAIN}) * R_1)$
 - $\text{GAIN} = (R_2 / R_1)$
 - $\text{IDRIVE(MIN)} = [10\text{MA} - \{(V_{OUT} / R_2) - (V_{IN2}(\text{PEAK}) / (R_1 + R_2))\}]$
 - $R_{SERIES} = 5 / (2\pi * C_{LOAD} * \text{SIGNAL BANDWIDTH})$
 - $V_{OUT} = (V_{IN2} - V_{IN1}) * \text{GAIN}$
 - PCB LAYOUT CONSIDERATIONS:
 - R_2 & R_1 SHOULD BE AS CLOSE TO CPU PINS AS POSSIBLE
 - $C_{LOAD} (\text{max}) \leq 32 \text{ pf}$

24.7.1 OP-AMP LOW POWER MODE ≤10MHZ USE REQUIREMENTS (CMxCON<OPLPWR> = 1)

- PIC32 Package I/O pin capacitance/ea. = 4 pf
- Standard PCB = 1.5 pf per 12.5 mm(0.5 inches)
(TRACE W = 0.175 mm, H = 36 μm, T = 113 μm)
- CEFFECTIVE = (Package Pin capacitance + PCB trace capacitance)
- CLOAD = (CEFFECTIVE + Target destination input pin capacitance)
- VIN(maximum) = AVDD / Gain

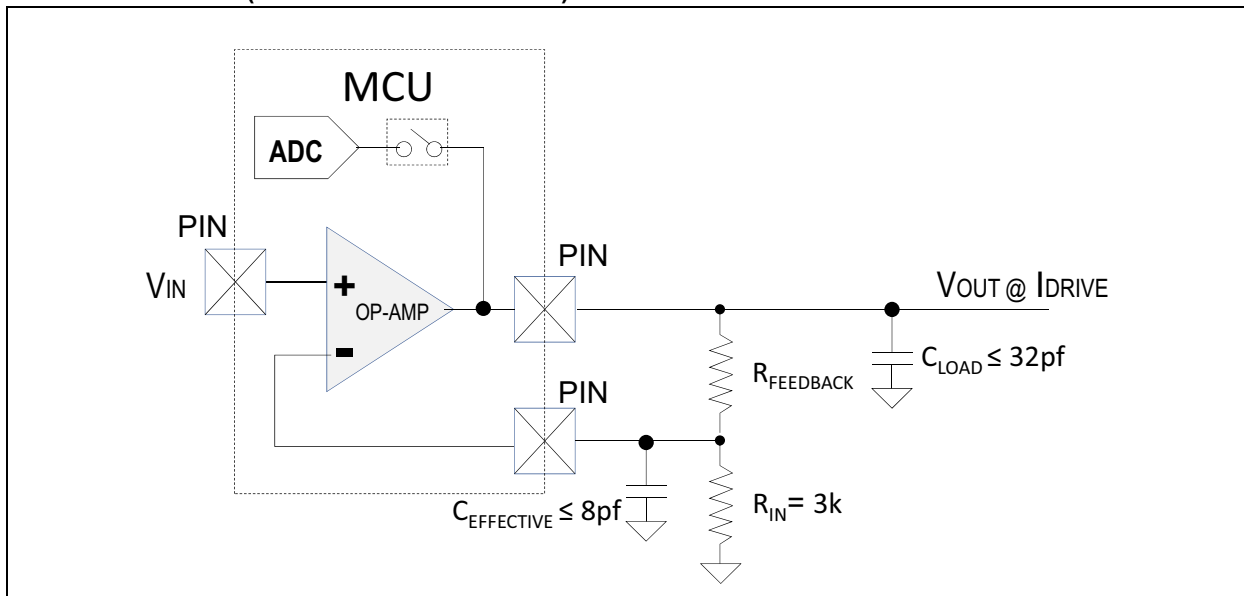
**FIGURE 24-9: OP-AMP UNITY GAIN LOW POWER MODE ≤10MHZ REQUIREMENTS
(CMxCON<OPLPWR> = 1)**



- CLOAD max ≤ 32 pf
- Standard PCB = 1.5 pf per 12.5 mm(0.5 inches) (TRACE W = 0.175 mm, H = 36 μm, T= 113 μm)

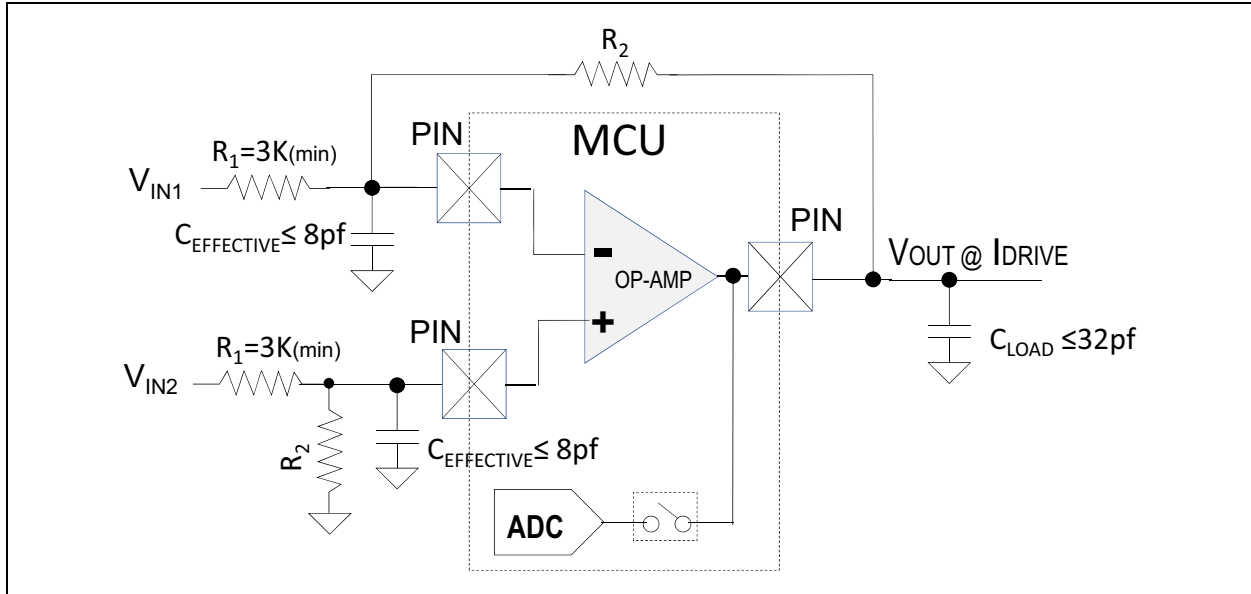
PIC32MK MCA Family

FIGURE 24-10: OP-AMP GAIN ≥ 2: LOW POWER MODE ≤10MHZ REQUIREMENTS (CMxCON<OPLPWR> = 1)



- PIC32 Package I/O pin capacitance/ea. = 4 pf
- Standard PCB = 1.5 pf per 12.5 mm(0.5 inches) (TRACE W = 0.175 mm, H = 36 μm, T = 113 μm)
- C_{EFFECTIVE} = (Package Pin capacitance + PCB trace capacitance)
- Standard PCB = 1.5 pf per 12.5 mm (0.5 inches) (TRACE W = 0.175 mm, H = 36 μm, T = 113 μm)
- C_{EFFECTIVE} max ≤ 8 pf maximum
- R_{IN} = 3k Ω (Highly Recommended)
- R_{FEEDBACK} Ω = ((Desired User Gain – 1) * R_{IN})
= ((Desired User Gain – 1) * 3k)
- Gain = (1 + (R_{FEEDBACK} / R_{IN}))
= (1 + (R_{FEEDBACK} / 3k))
- I_{DRIVE} (min) = (10 ma – (V_{IN} (pk) / R_{IN}))
= (10 ma – (V_{IN} (pk) / 3k))

**FIGURE 24-11: OP AMP LOW POWER DIFFERENTIAL MODE $\leq 10\text{MHz}$ REQUIREMENTS
($\text{CMxCON} < \text{OPLPWR} > = 1$)**



- PIC32 Package I/O pin capacitance/ea. = 4 pf
- Standard PCB = 1.5 pf per 12.5 mm (0.5 inches) (TRACE W = 0.175 mm, H = 36 μm , T = 113 μm)
- $C_{\text{EFFECTIVE}} = (\text{Package Pin capacitance} + \text{PCB trace capacitance})$
- Standard PCB = 1.5 pf per 12.5 mm (0.5 inches) (TRACE W = 0.175 mm, H = 36 μm , T = 113 μm)
- $C_{\text{EFFECTIVE}} \text{ max} \leq 8 \text{ pf maximum}$
- $R_1 \Omega = 3\text{K (min)}$ (Highly Recommended)
- $R_2 \Omega = ((\text{Desired User Gain}) * R_1)$
- $\text{Gain} = (R_2 / R_1)$
- $\text{IDRIVE(min)} = [10 \text{ ma} - ((V_{\text{OUT}} / R_2) - (V_{\text{IN2(peak)}} / (R_1 + R_2)))]$
- $V_{\text{OUT}} = (V_{\text{IN2}} - V_{\text{IN1}}) * \text{Gain}$
- PCB Layout Considerations:
 - R_2 & R_1 should be as close to CPU pins as possible

PIC32MK MCA Family

24.8 Op-amp Circuit Examples

FIGURE 24-12: OP AMP CONFIGURATION CIRCUIT EXAMPLES

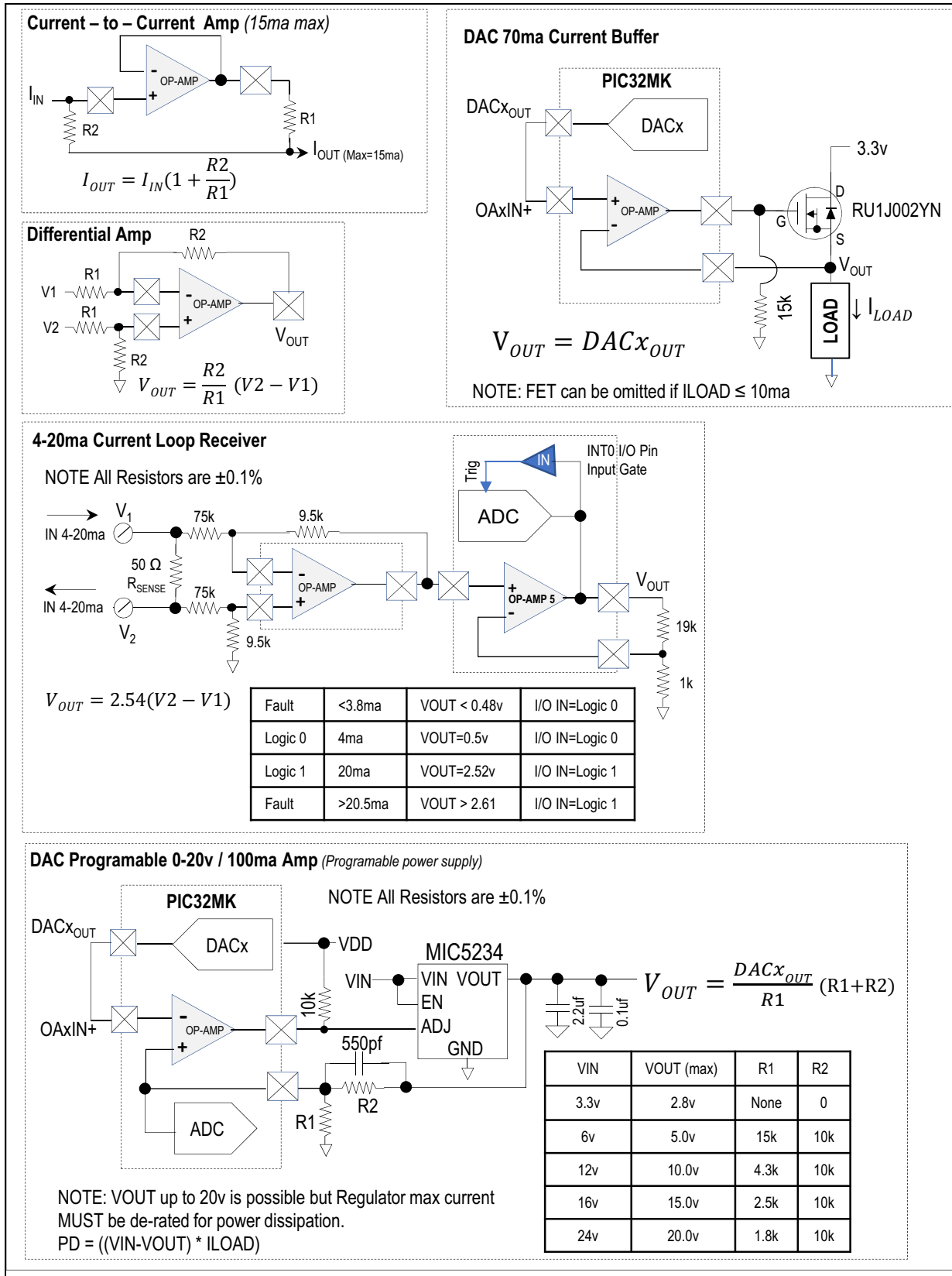
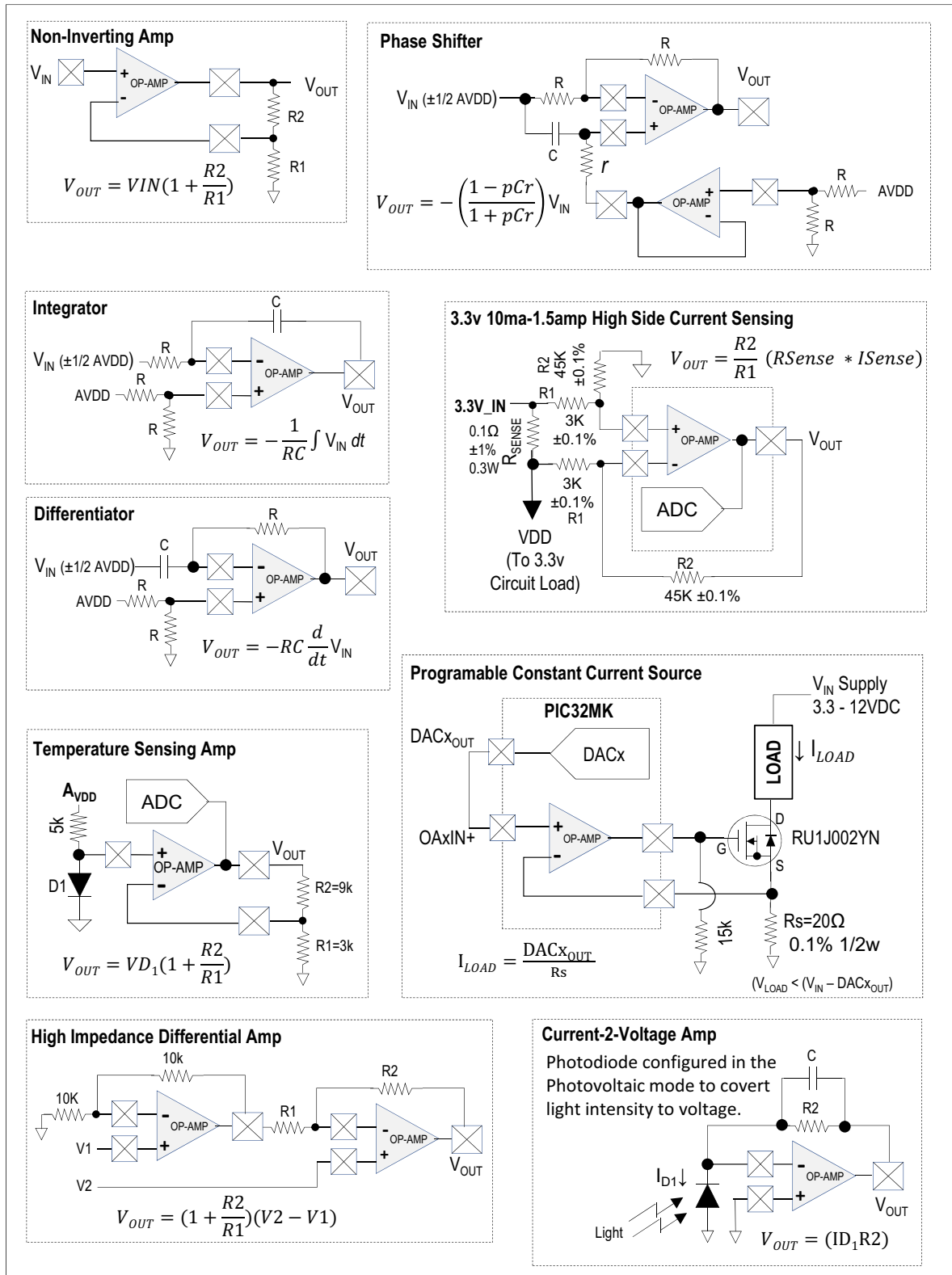


FIGURE 24-13: OP AMP CONFIGURATION CIRCUIT EXAMPLES



PIC32MK MCA Family

FIGURE 24-14: OP AMP CONFIGURATION CIRCUIT EXAMPLES

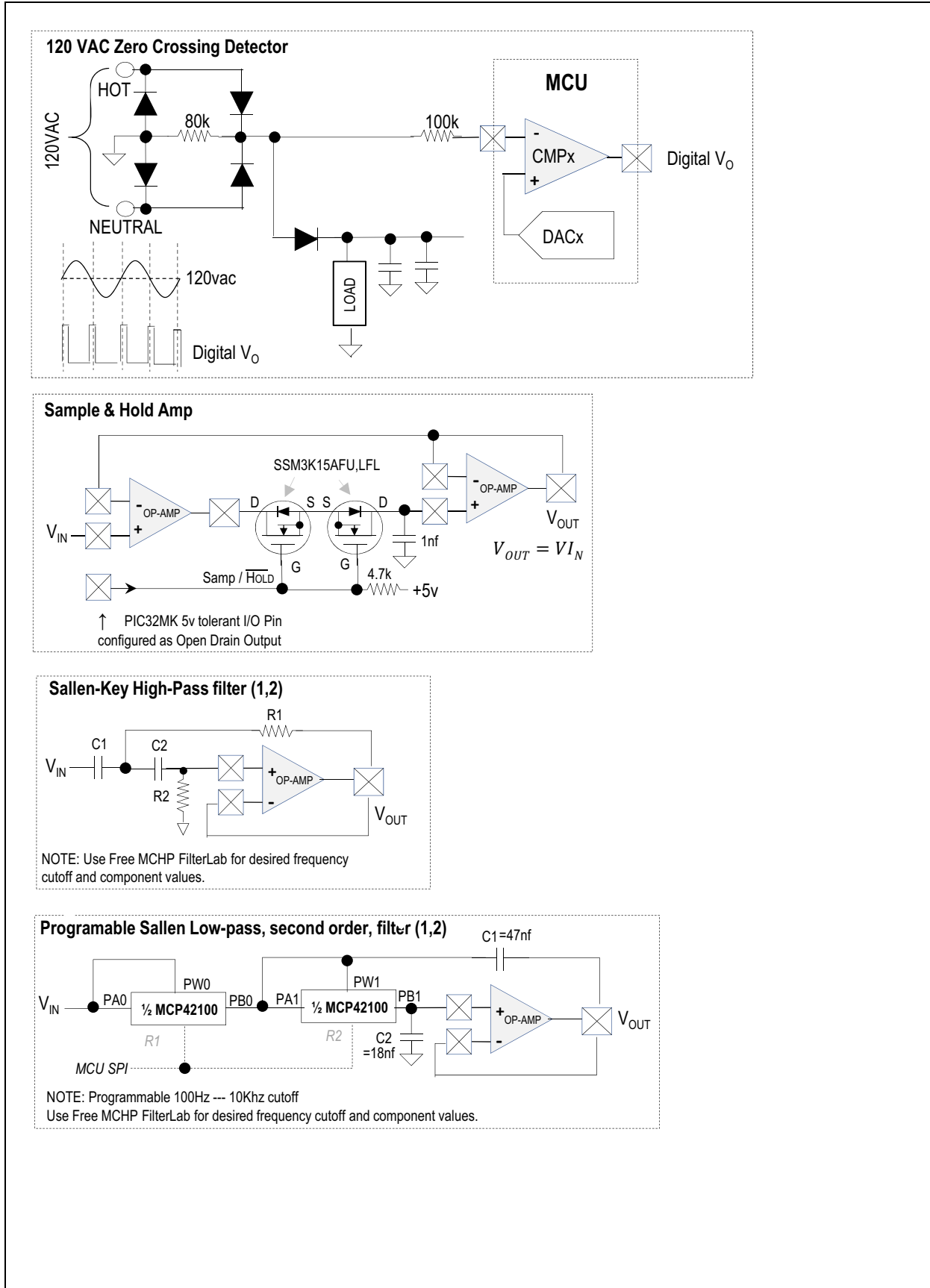
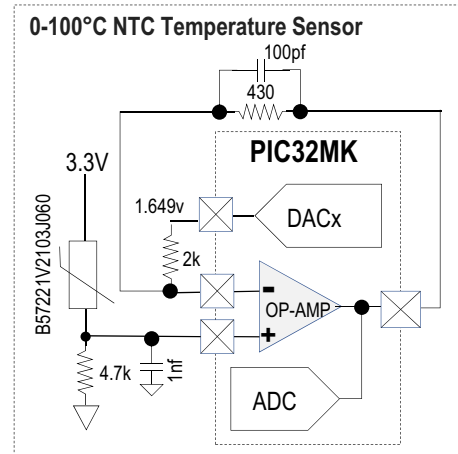
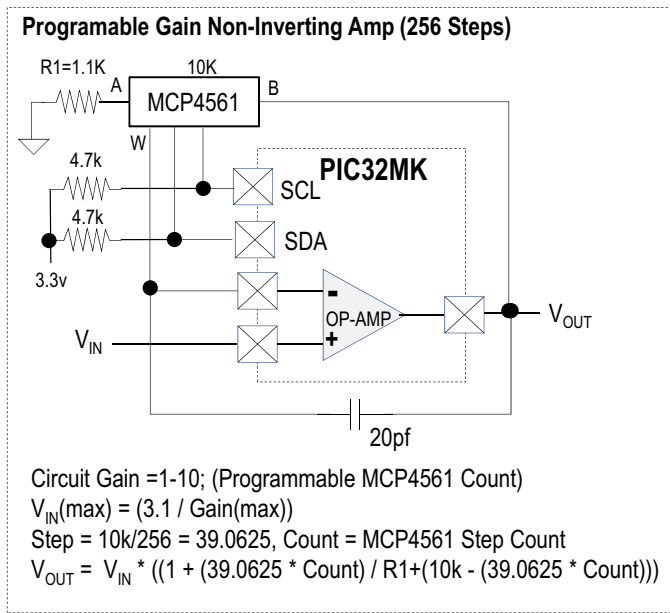
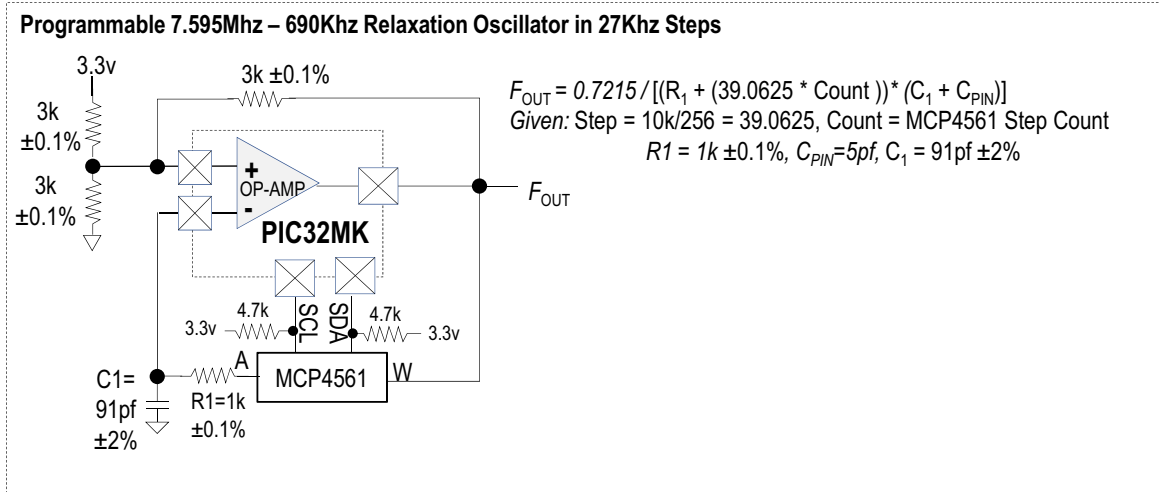
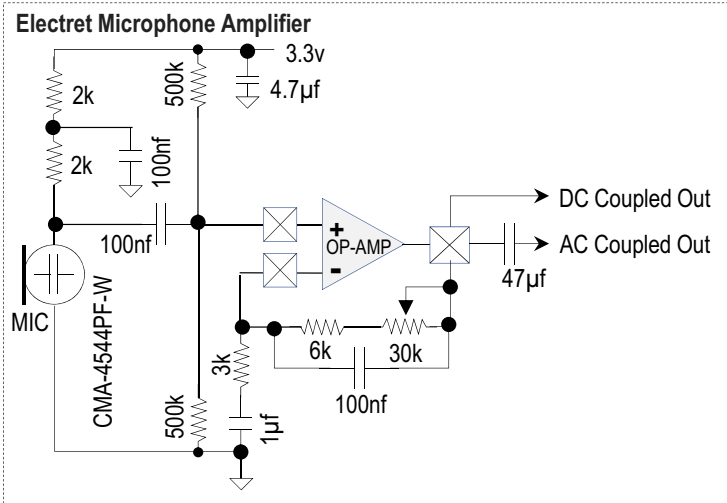
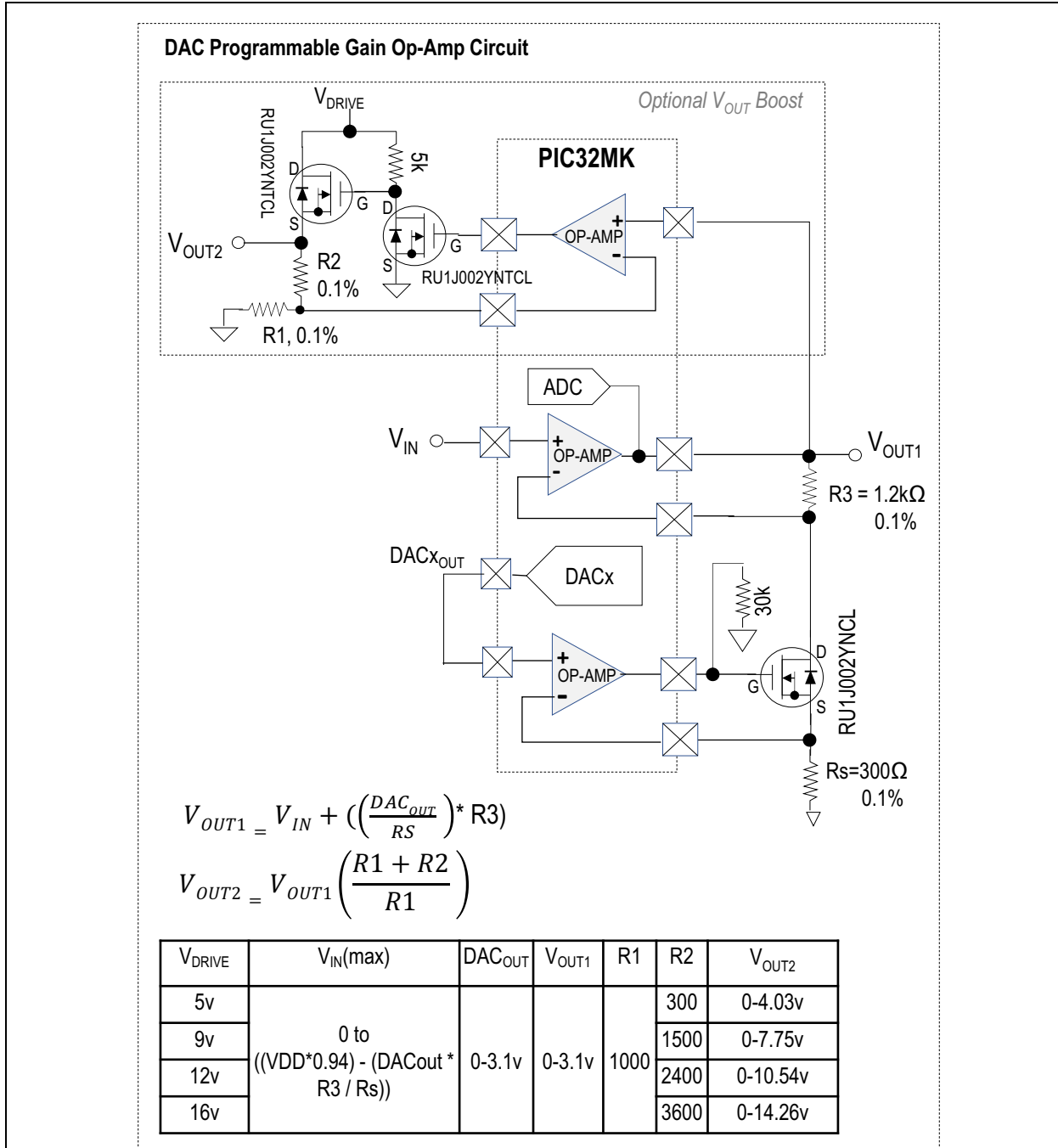


FIGURE 24-15: OP AMP CONFIGURATION CIRCUIT EXAMPLES



PIC32MK MCA Family

FIGURE 24-16: OP AMP CONFIGURATION CIRCUIT EXAMPLES



Note 1: Microchip's FilterLab[®] software is an innovative software tool that simplifies analog active filter (using op amps) design. Available at no cost from the Microchip web site at www.microchip.com/filterlab, the FilterLab design tool provides full schematic diagrams of the filter circuit with component values. It also outputs the filter circuit in SPICE format, which can be used with the macro model to simulate actual filter performance.

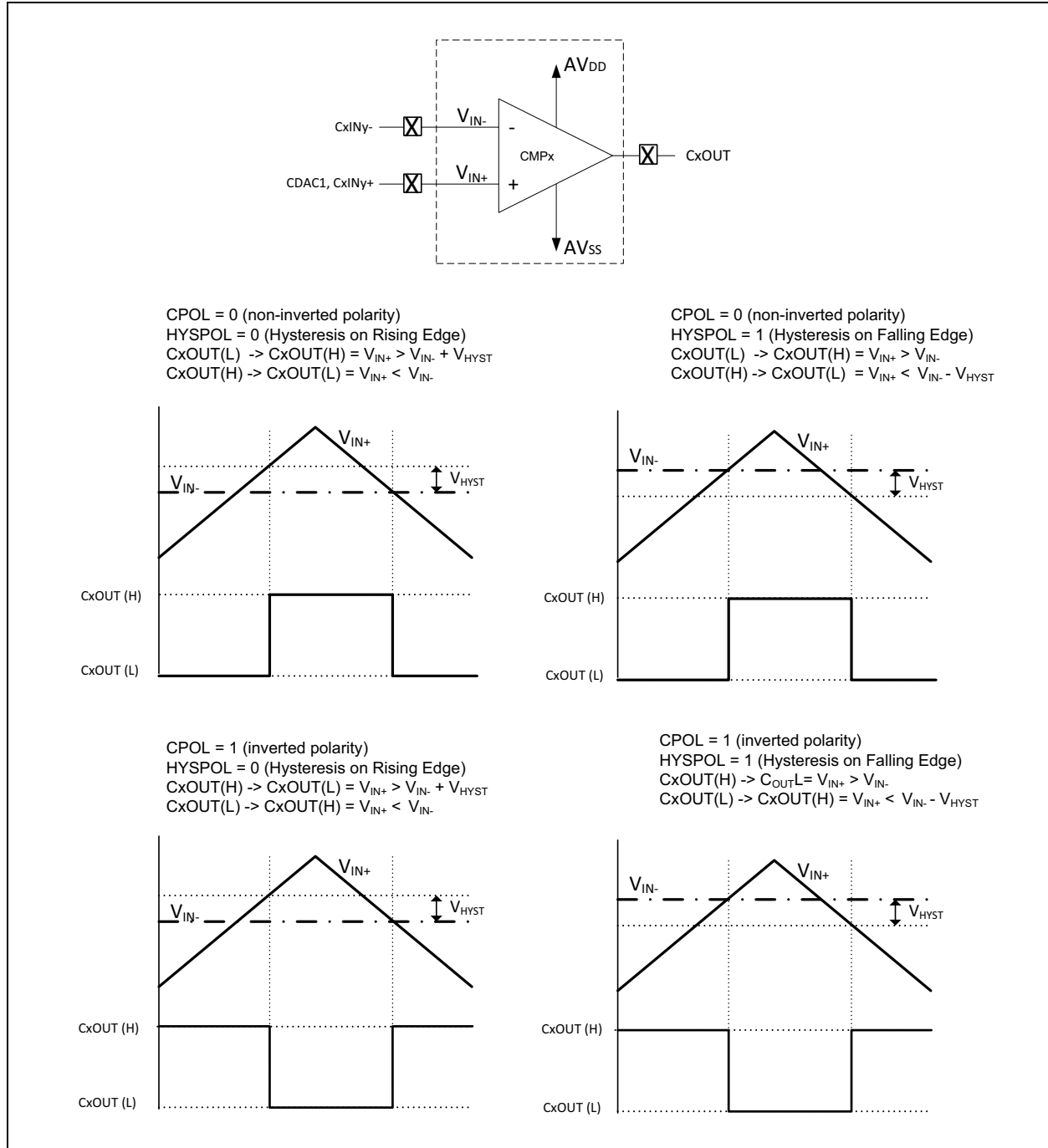
2: Microchip's Mindi™ simulator tool aids in the design of various circuits useful for active filter, amplifier and power-management applications. It is a free online simulation tool available for download from the Microchip web site at www.microchip.com/mindi. This interactive simulator enables designers to quickly generate circuit diagrams, simulate circuits. Circuits developed using the Mindi simulation tool can be downloaded to a personal computer or workstation.

24.9 Comparator Configuration

The Comparator and the relationship between the analog input levels and the digital output are illustrated in Figure 24-17. Each Comparator can be individually configured to compare against an external voltage reference or internal voltage reference. For more information on the internal op amp/comparator voltage reference, refer to Section 45. “Control Digital-to-Analog converter” (DS60001327) of the “PIC32 Family Reference Manual”.

A standard configuration with default built in hysteresis is shown in Figure 24-17. The external reference at V_{IN+} is a fixed voltage. The analog input signal at V_{IN-} is compared to the reference signal at V_{IN+} , and the digital output of the comparator is created by the difference between the two signals as shown in the figure. The polarity of the comparator output can be inverted by writing a '1' to the CPOL bit (CMxCON<13>) such that the output is a digital low level when $V_{IN+} > V_{IN-}$.

FIGURE 24-17: COMPARATOR CONFIGURATION FOR DEFAULT BUILT-IN HYSTERESIS



PIC32MK MCA Family

TABLE 24-2: COMPARATOR CMP_x OUTPUT AND EVENT POLARITY SELECTION (x=1-3)

CPOL	EVPOL [1:0]	Comparator Input Change (comparator_status_in)	Comparator Output	CxOUT	Trigger/Interrupt Generated?
0	0 0	+In > -In	High	High	No
0	0 0	+In < -In	Low	Low	No
0	0 1	+In > -In	High	High	Yes (only while CEVT = 0)
0	0 1	+In < -In	Low	Low	No
0	1 0	+In > -In	High	High	No
0	1 0	+In < -In	Low	Low	Yes (only while CEVT = 0)
0	1 1	+In > -In	High	High	Yes (only while CEVT = 0)
0	1 1	+In < -In	Low	Low	Yes (only while CEVT = 0)
1	0 0	+In > -In	High	Low	No
1	0 0	+In < -In	Low	High	No
1	0 0	+In > -In	High	Low	No
1	0 0	+In < -In	Low	High	Yes (only while CEVT = 0)
1	1 0	+In > -In	High	Low	Yes (only while CEVT = 0)
1	1 0	+In < -In	Low	High	No
1	1 1	+In > -In	High	Low	Yes (only while CEVT = 0)
1	1 1	+In < -In	Low	High	Yes (only while CEVT = 0)

Note: Each comparator has its dedicated Polarity and Event selection. There is no interaction between the settings of the multiple comparators.

24.10 Op amp/Comparator Control Registers

TABLE 24-3: OP AMP/COMPARATOR REGISTER MAP

Virtual Address (BF82)	Register Name ⁽¹⁾	Bit Range	Bits																All Resets
			31/15	30/14	29/13	28/12	27/11	26/10	25/9	24/8	23/7	22/6	21/5	20/4	19/3	18/2	17/1	16/0	
C000	CMSTAT	31:16	—	—	—	—	—	—	—	—	—	—	—	—	—	C3EVT	C2EVT	C1EVT	0000
		15:0	—	—	SIDL	—	—	—	—	—	—	—	—	—	—	—	C3OUT	C2OUT	C1OUT
C010	CM1CON	31:16	OPAON	ENPGA	—	HYSPOL	—	—	HYSSEL<1:0>		—	CFSEL<2:0>			CFLTREN	CFDIV<2:0>			0000
		15:0	ON	COE	CPOL	CLPWR	—	—	CEVT	COUT	EVPOL<1:0>		—	CREF	—	—	CCH<1:0>		
C020	CM1MSKCON	31:16	—	—	—	—	SELSRCC<3:0>				SELSRCB<3:0>				SELSRCA<3:0>				0000
		15:0	HLMS	—	OCEN	OCNEN	OBEN	OBNEN	OAEN	OANEN	NAGS	PAGS	ACEN	ACNEN	ABEN	ABNEN	AAEN	AANEN	0000
C030	CM2CON	31:16	OPAON	ENPGA	—	HYSPOL	—	—	HYSSEL<1:0>		—	CFSEL<2:0>			CFLTREN	CFDIV<2:0>			0000
		15:0	ON	COE	CPOL	CLPWR	—	—	CEVT	COUT	EVPOL<1:0>		—	CREF	—	—	CCH<1:0>		
C040	CM2MSKCON	31:16	—	—	—	—	SELSRCC<3:0>				SELSRCB<3:0>				SELSRCA<3:0>				0000
		15:0	HLMS	—	OCEN	OCNEN	OBEN	OBNEN	OAEN	OANEN	NAGS	PAGS	ACEN	ACNEN	ABEN	ABNEN	AAEN	AANEN	0000
C050	CM3CON	31:16	OPAON	ENPGA	—	HYSPOL	—	—	HYSSEL<1:0>		—	CFSEL<2:0>			CFLTREN	CFDIV<2:0>			0000
		15:0	ON	COE	CPOL	CLPWR	—	—	CEVT	COUT	EVPOL<1:0>		—	CREF	—	—	CCH<1:0>		
C060	CM3MSKCON	31:16	—	—	—	—	SELSRCC<3:0>				SELSRCB<3:0>				SELSRCA<3:0>				0000
		15:0	HLMS	—	OCEN	OCNEN	OBEN	OBNEN	OAEN	OANEN	NAGS	PAGS	ACEN	ACNEN	ABEN	ABNEN	AAEN	AANEN	0000

Legend: x = unknown value on Reset; — = unimplemented, read as '0'. Reset values are shown in hexadecimal.

Note 1: All registers in this table have corresponding CLR, SET, and INV registers at its virtual address, plus an offset of 0x4, 0x8, and 0xC, respectively. See [11.2 “CLR, SET, and INV Registers”](#) for more information.

PIC32MK MCA Family

REGISTER 24-1: CMSTAT: OP AMP/COMPARATOR STATUS REGISTER

Bit Range	Bit 31/23/15/7	Bit 30/22/14/6	Bit 29/21/13/5	Bit 28/20/12/4	Bit 27/19/11/3	Bit 26/18/10/2	Bit 25/17/9/1	Bit 24/16/8/0
31:24	U-0	U-0	U-0	U-0	U-0	U-0	U-0	U-0
	—	—	—	—	—	—	—	—
23:16	U-0	U-0	U-0	U-0	U-0	HS, R-0	HS, R-0	HS, R-0
	—	—	—	—	—	C3EVT	C2EVT	C1EVT
15:8	U-0	U-x	R/W-0	U-0	U-0	U-0	U-0	U-0
	—	—	SIDL	—	—	—	—	—
7:0	U-0	U-0	U-0	U-0	U-0	R-0	R-0	R-0
	—	—	—	—	—	C3OUT	C2OUT	C1OUT

Legend:	HS = Set by hardware
R = Readable bit	W = Writable bit U = Unimplemented bit, read as '0'
-n = Value at POR	'1' = Bit is set '0' = Bit is cleared x = Bit is unknown

bit 31-19 **Unimplemented:** Read as '0'

bit 18 **C3EVT:** Comparator 3 Event Status bit

1 = Comparator event according to EVPOL<1:0> settings occurred. Future events/triggers and interrupts are disabled until the CEVT bit (CMxCON<9>) is cleared by user software.

0 = Comparator event did not occur

bit 17 **C2EVT:** Comparator 2 Event Status bit

1 = Comparator event according to EVPOL<1:0> settings occurred. Future events/triggers and interrupts are disabled until the CEVT bit (CMxCON<9>) is cleared by user software.

0 = Comparator event did not occur

bit 16 **C1EVT:** Comparator 1 Event Status bit

1 = Comparator event according to EVPOL<1:0> settings occurred. Future events/triggers and interrupts are disabled until the CEVT bit (CMxCON<9>) is cleared by user software.

0 = Comparator event did not occur

bit 15-14 **Unimplemented:** Read as '0'

bit 13 **SIDL:** Stop in Idle Mode bit

1 = Discontinue operation of all Op amp/Comparators when device enters Idle mode

0 = Continue module operation in Idle mode

bit 12-3 **Unimplemented:** Read as '0'

bit 2-0 **C3OUT:C1OUT:** Op amp/Comparator 5 through Comparator 1 Output Status bit

When CPOL = 0:

1 = $V_{IN+} > V_{TH+}$

0 = $V_{IN+} < V_{TH-}$

When CPOL = 1:

1 = $V_{IN+} < V_{TH-}$

0 = $V_{IN+} > V_{TH+}$

PIC32MK MCA Family

REGISTER 24-2: CMxCON: OP AMP/COMPARATOR 'x' CONTROL REGISTER ('x' = 1-3)

Bit Range	Bit 31/23/15/7	Bit 30/22/14/6	Bit 29/21/13/5	Bit 28/20/12/4	Bit 27/19/11/3	Bit 26/18/10/2	Bit 25/17/9/1	Bit 24/16/8/0
31:24	R/W-0	R/W-0	U-0	R/W-0	U-0	U-0	R/W-0	R/W-0
	OPAON	ENPGA	—	HYSPOL	—	—	HYSSEL<1:0>	
23:16	U-0	R/W-0	R/W-0	R/W-0	R/W-0	R/W-0	R/W-0	R/W-0
	—	CFSEL<2:0>			CFLTREN	CFDIV<2:0>		
15:8	R/W-0	R/W-0	R/W-0	R/W-0	U-0	U-0	HS, R/W-0	R-0
	ON	COE	CPOL	OPLPWR	—	—	CEVT ⁽¹⁾	COUT
7:0	R/W-0	R/W-0	U-0	R/W-0	U-0	U-0	R/W-0	R/W-0
	EVPOL<1:0>		—	CREF	—	—	CCH<1:0>	

Legend:	HS = Set by hardware
R = Readable bit	W = Writable bit
-n = Value at POR	'1' = Bit is set
	U = Unimplemented bit, read as '0'
	'0' = Bit is cleared
	x = Bit is unknown

bit 31 **OPAON:** Op amp Enable bit

- 1 = Op amp enabled and connected to pin
- 0 = Op amp disabled and pin is released to other functions

Note: Initialize ENPGA & OPLPWR prior to enabling the op-amp, CMxCON<OPAON>=1.

bit 30 **ENPGA:** Op amp Fixed Gain Enable bit⁽²⁾

- 1 = Op amp is operating in Fixed Gain 1X mode
- 0 = Op amp is operating in Open Loop mode (default)

bit 29 **Unimplemented:** Read as '0'

bit 28 **HYSPOL:** Comparator Hysteresis Polarity Selection

- 1 = Hysteresis on falling edge, rising edge is accurate
- 0 = Hysteresis on rising edge, falling edge is accurate

bit 27-26 **Unimplemented:** Read as '0'

bit 25-24 **HYSSEL<1:0>:** Hysteresis Selection bits

- 11 = Set highest hysteresis level (Typical 45 mV)
- 10 = Set medium hysteresis level (Typical 30 mV)
- 01 = Set lowest hysteresis level (Typical 15 mV)
- 00 = No hysteresis selected.

Note: These bits select the hysteresis of the analog comparator.

bit 23 **Unimplemented:** Read as '0'

bit 22-20 **CFSEL<2:0>:** Comparator Output Filter Clock Source Select bits

- 111 = PBCLK2/Timer5 Period Value (PR5)
- 110 = PBCLK2/Timer4 Period Value (PR4)
- 101 = PBCLK2/Timer3 Period Value (PR3)
- 100 = PBCLK2/Timer2 Period Value (PR2)
- 011 = REFCLK3 Clock
- 010 = PWM Secondary Special Event
- 001 = PPBCLK2 Clock
- 000 = SYSCLK Clock

Note 1: Before initializing or enabling any of the op amp bits, the user application must clear the corresponding OPA3MD, OPA2MD, OPA1MD bits in the PMD register.

Note: The IFSx bits, as with all interrupt flag status register bits, are set as long as the peripheral is enabled and an interrupt condition event occurs. Interrupts do not have to be enabled for the IFSx bits to be set. If the user application does not want to use an interrupt, it can poll the corresponding peripheral IFSx bit to see whether an interrupt condition has occurred. The IFSx bits are persistent, so they must be cleared by user software.

PIC32MK MCA Family

REGISTER 24-2: CMxCON: OP AMP/COMPARATOR 'x' CONTROL REGISTER ('x' = 1-3) (CONTINUED)

- bit 19 **CFLTREN**: Comparator Output Digital Filter Enable bit
1 = Digital Filters enabled
0 = Digital Filters disabled
- bit 18-16 **CFDIV<2:0>**: Comparator Output Filter Clock Divide Select bits
These bits are based on the CFSEL clock source selection.
111 = 1:128 Clock Divide
110 = 1:64 Clock Divide
101 = 1:32 Clock Divide
100 = 1:16 Clock Divide
011 = 1:8 Clock Divide
010 = 1:4 Clock Divide
001 = 1:2 Clock Divide
000 = 1:1 Clock Divide
- bit 15 **ON**: Comparator Enable bit
1 = Comparator is enabled
0 = Comparator is disabled
- bit 14 **COE**: Comparator Output Enable bit
1 = Comparator output is present on the CxOUT pin
0 = Comparator output is internal only
- bit 13 **CPOL**: Comparator Output Polarity Select bit
1 = Comparator output is inverted
0 = Comparator output is not inverted
- bit 12 **OPLPWR**: Op Amp Power mode
1 = Op amp operating in low-power mode (1/10 power, slower response, Bandwidth \leq 10 MHz)
0 = Op amp operating in normal power mode, (10 MHz \geq Bandwidth \leq 100 MHz)
- bit 11-10 **Unimplemented**: Read as '0'
- bit 9 **CEVT**: Comparator Event bit⁽¹⁾
1 = Comparator event according to EVPOL<1:0> bit settings occurred
Note: CEVT = 1 disables future events/triggers and interrupts until the bit is cleared by user software.
0 = Comparator event did not occur
- bit 8 **COUT**: Comparator Output bit
When CPOL = 0 (non-inverted polarity):
1 = $V_{IN+} > V_{TH+}$
0 = $V_{IN+} < V_{TH-}$

When CPOL = 1 (inverted polarity):
1 = $V_{IN+} < V_{TH-}$
0 = $V_{IN+} > V_{TH+}$

Note 1: Before initializing or enabling any of the op amp bits, the user application must clear the corresponding OPA3MD, OPA2MD, OPA1MD bits in the PMD register.

Note: The IFSx bits, as with all interrupt flag status register bits, are set as long as the peripheral is enabled and an interrupt condition event occurs. Interrupts do not have to be enabled for the IFSx bits to be set. If the user application does not want to use an interrupt, it can poll the corresponding peripheral IFSx bit to see whether an interrupt condition has occurred. The IFSx bits are persistent, so they must be cleared by user software.

REGISTER 24-2: CMxCON: OP AMP/COMPARATOR 'x' CONTROL REGISTER ('x' = 1-3) (CONTINUED)

- bit 7-6 **EVPOL<1:0>**: Trigger/Event Polarity Select bits
- 11 = Trigger/Event generated on any change of the comparator output
 - 10 = Trigger/Event generated only on high-to-low transition of the polarity-selected comparator output
 - If CPOL = 0 (non-inverted polarity):
High-to-low transition of the comparator output
 - If CPOL = 1 (inverted polarity):
Low-to-high transition of the comparator output
 - 01 = Trigger/Event generated only on low-to-high transition of the polarity-selected comparator output
 - If CPOL = 0 (non-inverted polarity):
Low-to-high transition of the comparator output
 - If CPOL = 1 (inverted polarity):
High-to-low transition of the comparator output
 - 00 = Trigger/Event generation is disabled
- bit 5 **Unimplemented**: Read as '0'
- bit 4 **CREF**: Op amp/Comparator Reference Select bit
- 1 = VIN+ input connects to internal CDAC1 output voltage
 - 0 = VIN+ input connects to CxIN1+ pin
- bit 3-2 **Unimplemented**: Read as '0'
- bit 1-0 **CCH<1:0>**: Comparator Channel Select bits
- 11 = CxIN4-
 - 10 = CxIN3-
 - 01 = CxIN2-
 - 00 = CxIN1-

Note 1: Before initializing or enabling any of the op amp bits, the user application must clear the corresponding OPA3MD, OPA2MD, OPA1MD bits in the PMD register.

Note: The IFSx bits, as with all interrupt flag status register bits, are set as long as the peripheral is enabled and an interrupt condition event occurs. Interrupts do not have to be enabled for the IFSx bits to be set. If the user application does not want to use an interrupt, it can poll the corresponding peripheral IFSx bit to see whether an interrupt condition has occurred. The IFSx bits are persistent, so they must be cleared by user software.

REGISTER 24-3: CMxMSKCON: COMPARATOR 'x' MASK CONTROL REGISTER ('x' = 1-3) (CONTINUED)

bit 12	OCNEN: OR Gate "C" Input Inverted Enable bit 1 = "C" input (inverted) enabled as input to OR gate 0 = "C" input (inverted) disabled as input to OR gate
bit 11	OBEN: OR Gate "B" Input Enable bit 1 = "B" input enabled as input to OR gate 0 = "B" input disabled as input to OR gate
bit 10	OBNEN: OR Gate "B" Input Inverted Enable bit 1 = "B" input (inverted) enabled as input to OR gate 0 = "B" input (inverted) disabled as input to OR gate
bit 9	OAEN: OR Gate "A" Input Enable bit 1 = "A" input enabled as input to OR gate 0 = "A" input disabled as input to OR gate
bit 8	OANEN: OR Gate "A" Input Inverted Enable bit 1 = "A" input (inverted) enabled as input to OR gate 0 = "A" input (inverted) disabled as input to OR gate
bit 7	NAGS: Negative AND Gate Output Select bit 1 = The negative (inverted) output of the AND gate to the OR gate is enabled 0 = The negative (inverted) output of the AND gate to the OR gate is disabled
bit 6	PAGS: Positive AND Gate Output Select bit 1 = The positive output of the AND gate to the OR gate is enabled 0 = The positive output of the AND gate to the OR gate is disabled
bit 5	ACEN: AND Gate "C" Input Enable bit 1 = "C" input enabled as input to AND gate 0 = "C" input disabled as input to AND gate
bit 4	ACNEN: AND Gate "C" Inverted Input Enable bit 1 = "C" input (inverted) enabled as input to AND gate 0 = "C" input (inverted) disabled as input to AND gate
bit 3	ABEN: AND Gate "B" Input Enable bit 1 = "B" input enabled as input to AND gate 0 = "B" input disabled as input to AND gate
bit 2	ABNEN: AND Gate "B" Inverted Input Enable bit 1 = "B" input (inverted) enabled as input to AND gate 0 = "B" input (inverted) disabled as input to AND gate
bit 1	AAEN: AND Gate "A" Input Enable bit 1 = "A" input enabled as input to AND gate 0 = "A" input disabled as input to AND gate
bit 0	AANEN: AND Gate "A" Inverted Input Enable bit 1 = "A" input (inverted) enabled as input to AND gate 0 = "A" input (inverted) disabled as input to AND gate

Note: This register is only available on the PIC32MKXXMCCXXX devices.

PIC32MK MCA Family

25.0 CHARGE TIME MEASUREMENT UNIT (CTMU)

Note: This data sheet summarizes the features of the PIC32MK MCA Family of devices. It is not intended to be a comprehensive reference source. To complement the information in this data sheet, refer to **Section 37. “Charge Time Measurement Unit (CTMU)”** (DS60001167), which is available from the *Documentation > Reference Manual* section of the Microchip PIC32 web site (www.microchip.com/pic32).

The Charge Time Measurement Unit (CTMU) is a flexible analog module that has a configurable current source with a digital configuration circuit built around it. The CTMU can be used for differential time measurement between pulse sources and can be used for generating an asynchronous pulse. By working with other on-chip analog modules, the CTMU can be used for high resolution time measurement, measure capacitance, measure relative changes in capacitance

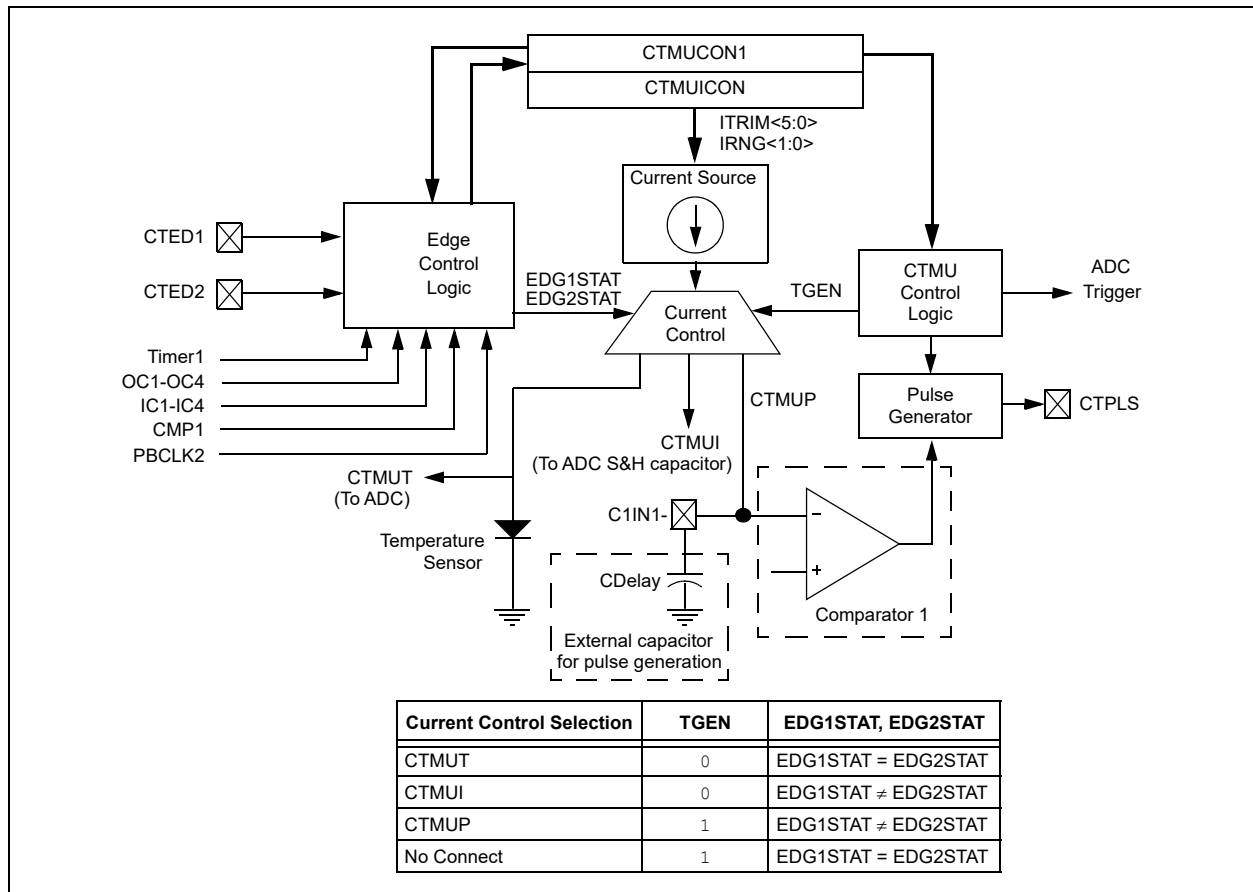
or generate output pulses with a specific time delay. The CTMU is ideal for interfacing with capacitive-based sensors.

The CTMU module includes the following key features:

- Two channels are available for capacitive or time measurement input
- On-chip precision current source
- 16-edge input trigger sources
- Selection of edge or level-sensitive inputs
- Polarity control for each edge source
- Control of edge sequence
- Control of response to edges
- High precision time measurement
- Time delay of external or internal signal asynchronous to system clock
- Integrated temperature sensing diode
- Control of current source during auto-sampling
- Four current source ranges
- Time measurement resolution of one nanosecond
- Up to 39 inputs for capacitive measurement

A block diagram of the CTMU is shown in [Figure 25-1](#).

FIGURE 25-1: CTMU BLOCK DIAGRAM



25.1 Control Registers

TABLE 25-1: CTMU REGISTER MAP

Virtual Address (BF82_#)	Register Name ⁽¹⁾	Bit Range	Bits														All Resets	
			31/15	30/14	29/13	28/12	27/11	26/10	25/9	24/8	23/7	22/6	21/5	20/4	19/3	18/2		17/1
D000	CTMUCON	31:16	EDG1MOD	EDG1POL	EDG1SEL<3:0>				EDG2STAT	EDG1STAT	EDG2MOD	EDG2POL	EDG2SEL<3:0>			—	—	0000
		15:0	ON	—	SIDLE	TGEN	EDGEN	EDGSEQEN	IDISSEN	CTTRIG	ITRIM<5:0>					IRNG<1:0>		0000

Legend: x = unknown value on Reset; — = unimplemented, read as '0'. Reset values are shown in hexadecimal.

Note 1: All registers in this table have corresponding CLR, SET, and INV registers at its virtual address, plus an offset of 0x4, 0x8, and 0xC, respectively. See 11.2 “CLR, SET, and INV Registers” for more information.

REGISTER 25-1: CTMUCON: CTMU CONTROL REGISTER (CONTINUED)

- bit 25 **EDG2STAT:** Edge 2 Status bit
Indicates the status of Edge 2 and can be written to control edge source
1 = Edge 2 event has occurred
0 = Edge 2 event has not occurred
- bit 24 **EDG1STAT:** Edge 1 Status bit
Indicates the status of Edge 1 and can be written to control edge source
1 = Edge 1 event has occurred
0 = Edge 1 event has not occurred
- bit 23 **EDG2MOD:** Edge 2 Edge Sampling Select bit
1 = Reserved
0 = Input is level-sensitive
- bit 22 **EDG2POL:** Edge 2 Polarity Select bit
1 = Edge 2 programmed for a high level response
0 = Edge 2 programmed for a low level response
- bit 21-18 **EDG2SEL<3:0>:** Edge 2 Source Select bits
1111 = Reserved
1110 = Reserved
1101 = C1OUT pin is selected
1100 = PBCLK2 is selected
1011 = Reserved
1010 = IC4 Capture Event is selected
1001 = IC3 pin is selected
1000 = IC2 pin is selected
0111 = IC1 pin is selected
0110 = OC4 pin is selected
0101 = OC3 pin is selected
0100 = OC2 pin is selected
0011 = CTED1 pin is selected
0010 = CTED2 pin is selected
0001 = OC1 Compare Event is selected
0000 = Timer1 Event is selected
- bit 17-16 **Unimplemented:** Read as '0'
- bit 15 **ON:** ON Enable bit
1 = Module is enabled
0 = Module is disabled
- bit 14 **Unimplemented:** Read as '0'
- bit 13 **SIDLE:** Stop-in-Idle-Mode
1 = Discontinue Module Operation when device enters idle mode.
0 = Continue module operation in idle mode.

- Note 1:** When this bit is set for Pulse Delay Generation, the EDG2SEL<3:0> bits must be set to '1101' to select C1OUT.
- 2:** The ADC module Sample and Hold capacitor is not automatically discharged between sample/conversion cycles. Software using the ADC as part of a capacitive measurement, must discharge the ADC capacitor before conducting the measurement. The IDISSEN bit, when set to '1', performs this function. The ADC module must be sampling while the IDISSEN bit is active to connect the discharge sink to the capacitor array.
- 3:** Refer to the CTMU Current Source Specifications (Table 35-41) in **35.0 "Electrical Characteristics"** for current values.
- 4:** This bit setting is not available for the CTMU temperature diode.
- 5:** For CTMU temperature measurements on this range, ADC sampling time $\geq 1.6 \mu\text{s}$.
- 6:** For CTMU temperature measurements on this range, ADC sampling time $\geq 300 \text{ ns}$.

PIC32MK MCA Family

REGISTER 25-1: CTMUCON: CTMU CONTROL REGISTER (CONTINUED)

- bit 12 **TGEN:** Time Generation Enable bit⁽¹⁾
1 = Enables edge delay generation
0 = Disables edge delay generation
- bit 11 **EDGEN:** Edge Enable bit
1 = Edges are not blocked
0 = Edges are blocked
- bit 10 **EDGSEQEN:** Edge Sequence Enable bit
1 = Edge 1 must occur before Edge 2 can occur
0 = No edge sequence is needed
- bit 9 **IDISSEN:** Analog Current Source Control bit⁽²⁾
1 = Analog current source output is grounded
0 = Analog current source output is not grounded
- bit 8 **CTTRIG:** Trigger Control bit
1 = Trigger output is enabled
0 = Trigger output is disabled
- bit 7-2 **ITRIM<5:0>:** Current Source Trim bits
011111 = Maximum positive change from nominal current
011110
.
.
.
000001 = Minimum positive change from nominal current
000000 = Nominal current output specified by IRNG<1:0>
111111 = Minimum negative change from nominal current
.
.
.
100010
100001 = Maximum negative change from nominal current
- bit 1-0 **IRNG<1:0>:** Current Range Select bits⁽³⁾
11 = 100 times base current (i.e., 0.55 μ A Typical)⁽⁶⁾
10 = 10 times base current (i.e., 5.5 μ A Typical)⁽⁵⁾
01 = Base current level (i.e., 0.55 μ A Typical)⁽⁴⁾
00 = 1000 times base current (i.e., 550 μ A Typical)⁽⁴⁾

- Note 1:** When this bit is set for Pulse Delay Generation, the EDG2SEL<3:0> bits must be set to '1101' to select C1OUT.
- 2:** The ADC module Sample and Hold capacitor is not automatically discharged between sample/conversion cycles. Software using the ADC as part of a capacitive measurement, must discharge the ADC capacitor before conducting the measurement. The IDISSEN bit, when set to '1', performs this function. The ADC module must be sampling while the IDISSEN bit is active to connect the discharge sink to the capacitor array.
- 3:** Refer to the CTMU Current Source Specifications (Table 35-41) in 35.0 "Electrical Characteristics" for current values.
- 4:** This bit setting is not available for the CTMU temperature diode.
- 5:** For CTMU temperature measurements on this range, ADC sampling time \geq 1.6 μ s.
- 6:** For CTMU temperature measurements on this range, ADC sampling time \geq 300 ns.

NOTES:

PIC32MK MCA Family

26.0 CONTROL DIGITAL-TO-ANALOG CONVERTER (CDAC)

Note: This data sheet summarizes the features of the PIC32MK MCA Family of devices. It is not intended to be a comprehensive reference source. To complement the information in this data sheet, refer to **Section 45. “Control Digital-to-Analog Converter (CDAC)”** (DS60001327), which is available from the *Documentation > Reference Manual* section of the Microchip PIC32 web site (www.microchip.com/pic32).

The PIC32MK MCA Family Control Digital-to-Analog Converter (CDAC) generates analog voltage corresponding to the digital inputs. The voltage can be used as a reference source for comparators or can be used as an offset to an op amp. This module is targeted for control applications, as opposed to other DAC modules, which are used for audio applications.

The following are key features of the CDAC module:

- Wide voltage range (1.8V to 3.6V)
- 12-bit resolution
- Fast conversion times, 1 Msps
- Buffered output for comparator use

Note: For additional information on conversion time, sampling rate, module turn-on time and glitch reduction circuit characteristics, refer to **35.0 “Electrical Characteristics”**.

Figure 26-1 illustrates the functional block diagram of the CDAC module.

FIGURE 26-1: CDAC BLOCK DIAGRAM

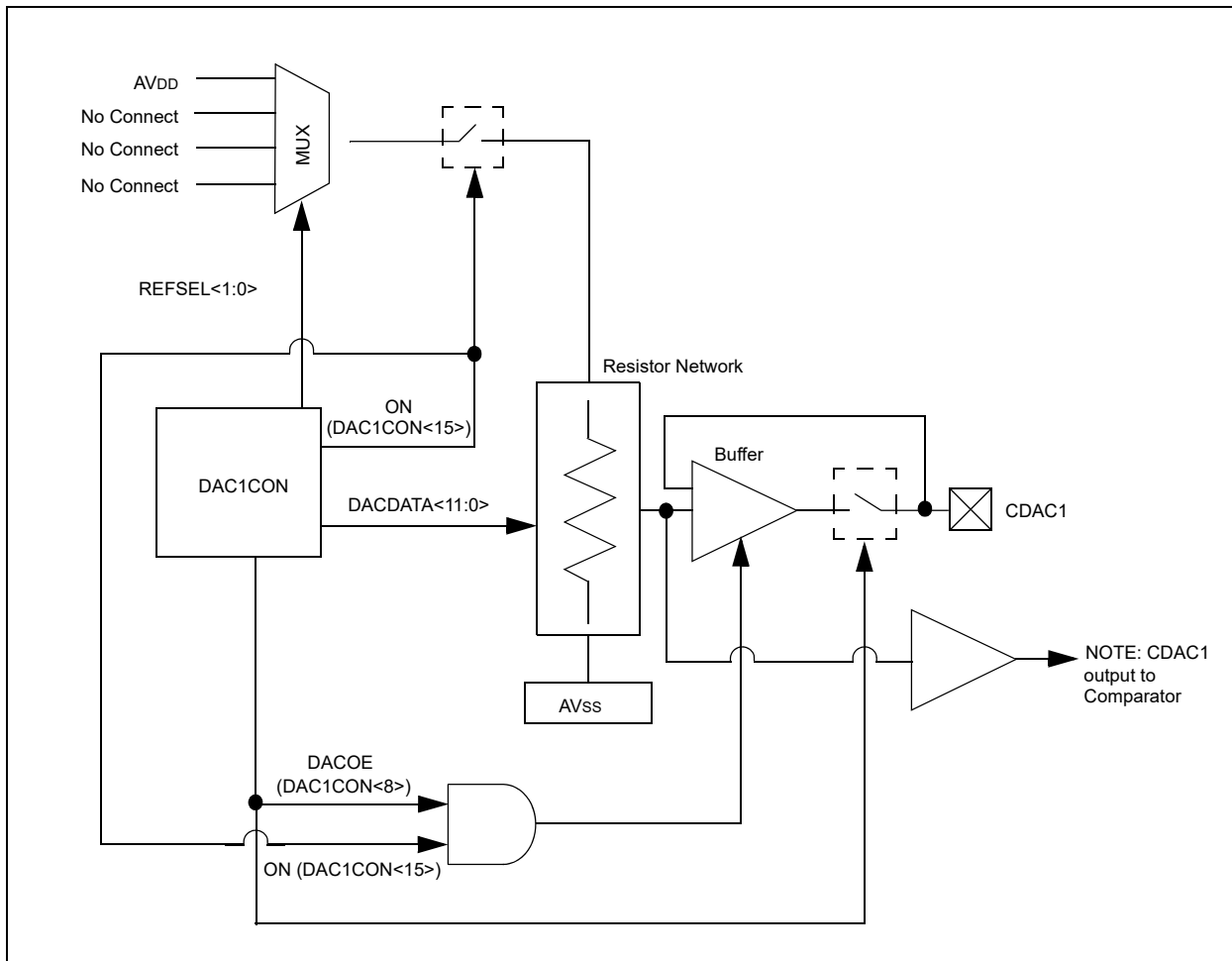


TABLE 26-1: CDAC REGISTER MAP

Virtual Address	Register Name ⁽¹⁾	Bit Range	Bits															All Resets				
			31/15	30/14	29/13	28/12	27/11	26/10	25/9	24/8	23/7	22/6	21/5	20/4	19/3	18/2	17/1		16/0			
BF82 C600	DAC1CON	31:16	—	—	—	—	DACDAT<11:0>															0000
		15:0	ON	—	—	—	—	—	—	DACOE	—	—	—	—	—	—	—	REFSEL<1:0>	0000			

Legend: x = unknown value on Reset; — = unimplemented, read as '0'. Reset values are shown in hexadecimal.

Note 1: All registers in this table have corresponding CLR, SET, and INV registers at its virtual address, plus an offset of 0x4, 0x8, and 0xC, respectively. See [11.2 “CLR, SET, and INV Registers”](#) for more information.

PIC32MK MCA Family

REGISTER 26-1: DAC1CON: CDAC CONTROL REGISTER

Bit Range	Bit 31/23/15/7	Bit 30/22/14/6	Bit 29/21/13/5	Bit 28/20/12/4	Bit 27/19/11/3	Bit 26/18/10/2	Bit 25/17/9/1	Bit 24/16/8/0
31:24	U-0	U-0	U-0	U-0	R/W-0	R/W-0	R/W-0	R/W-0
	—	—	—	—	DACDAT<11:8> ⁽¹⁾			
23:16	R/W-0	R/W-0	R/W-0	R/W-0	R/W-0	R/W-0	R/W-0	R/W-0
	DACDAT<7:0> ⁽¹⁾							
15:8	R/W-0	U-0	U-0	U-0	U-0	U-0	U-0	R/W-0
	ON ⁽¹⁾	—	—	—	—	—	—	DACOE ⁽¹⁾
7:0	U-0	U-0	U-0	U-0	U-0	U-0	R/W-0	R/W-0
	—	—	—	—	—	—	REFSEL<1:0> ^(1,2)	

Legend:	y = Value set from Configuration bits on POR
R = Readable bit	W = Writable bit U = Unimplemented bit, read as '0'
-n = Value at POR	'1' = Bit is set '0' = Bit is cleared x = Bit is unknown

bit 31-28 **Unimplemented:** Read as '0'

bit 27-16 **DACDAT<11:0>:** CDAC Data Port bits⁽¹⁾
Data input register bits for the CDAC.

bit 15 **ON:** CDAC Enable bit
1 = The CDAC is enabled
0 = The CDAC is disabled

bit 14-9 **Unimplemented:** Read as '0'

bit 8 **DACOE:** CDAC Output Buffer Enable bit
1 = Output is enabled; CDAC voltage is connected to the pin
0 = Output is disabled; drive to pin is floating

bit 7-2 **Unimplemented:** Read as '0'

bit 1-0 **REFSEL<1:0>:** Reference Source Select bits^(1,2)
11 = Positive reference voltage = AVDD
10 = No reference selected (no reference current consumption)
01 = No reference selected (no reference current consumption)
00 = No reference selected (no reference current consumption)

Note 1: To minimize CDAC start-up output transients, configure the DACDATA<15:0>, DACOE, and REFSEL<1:0> bits prior to enabling the CDAC (prior to making DACON = 1). Also, remember to wait TON time, after enabling the CDAC. This time is required to allow the CDAC output to stabilize. Refer to [35.0 "Electrical Characteristics"](#) for the TON specification.

2: If the ON bit is '0', the reference source is disconnected from the internal resistor network.

27.0 QUADRATURE ENCODER INTERFACE (QEI)

Note: This data sheet summarizes the features of the PIC32MK MCA Family of devices. It is not intended to be a comprehensive reference source. To complement the information in this data sheet, refer to **Section 43. “Quadrature Encoder Interface (QEI)”** (DS60001346), which is available from the *Documentation > Reference Manual* section of the Microchip PIC32 web site (www.microchip.com/pic32).

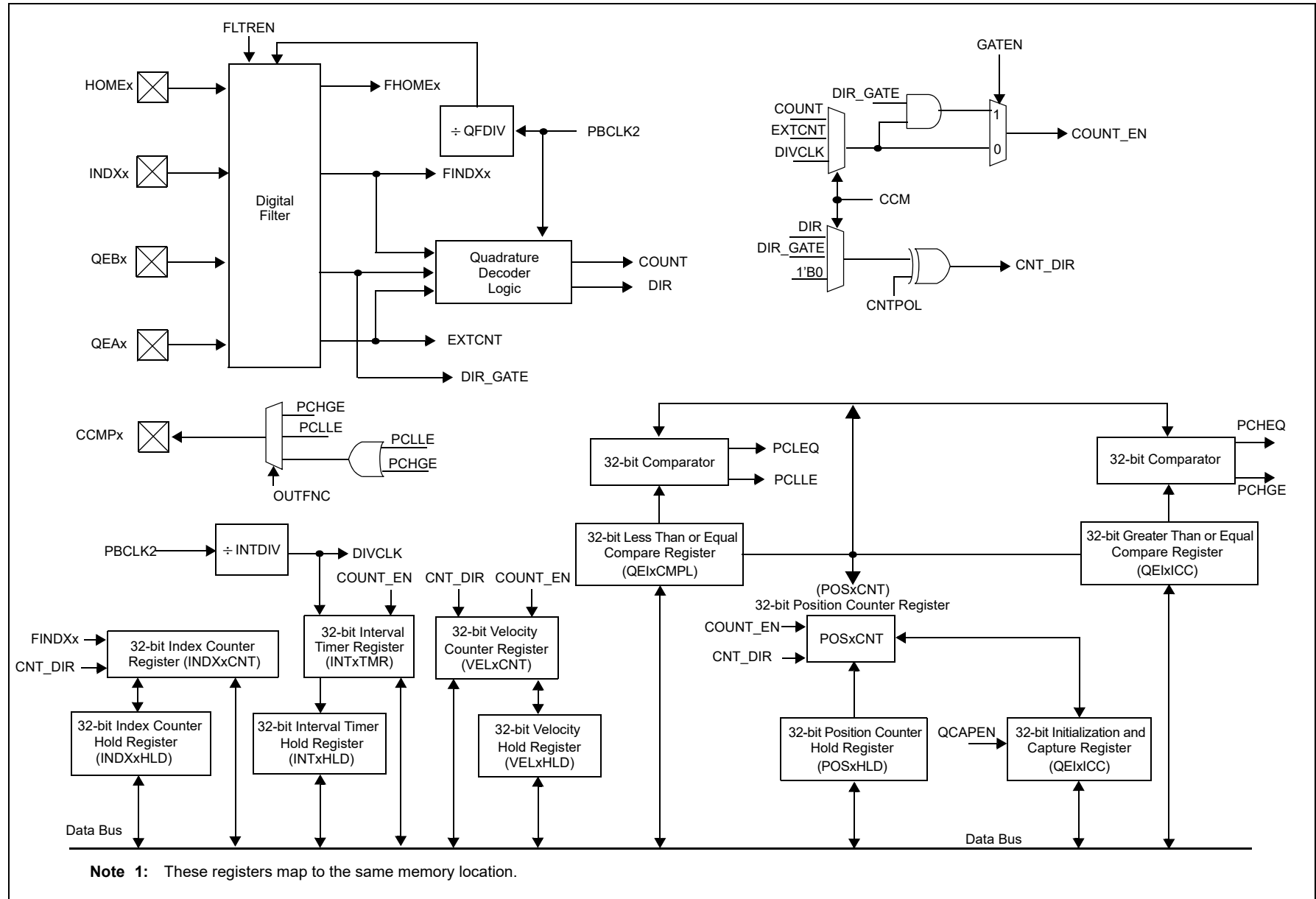
This chapter describes the Quadrature Encoder Interface (QEI) module and associated operational modes. The QEI module provides the interface to incremental encoders for obtaining mechanical position data.

The QEI module consists of the following key features:

- Four input pins: two phase signals, an index pulse and a home pulse
- Programmable digital noise filters on inputs
- Quadrature decoder providing counter pulses and count direction
- Count direction status
- 4x count resolution
- Index (INDX) pulse to reset the position counter
- General purpose 32-bit Timer/Counter mode
- Interrupts generated by QEI or counter events
- 32-bit velocity counter
- 32-bit position counter
- 32-bit index pulse counter
- 32-bit interval timer
- 32-bit position Initialization/Capture register
- 32-bit Compare Less Than and Greater Than registers
- External Up/Down Count mode
- External Gated Count mode
- External Gated Timer mode
- Interval Timer mode

Figure 27-1 illustrates the QEI block diagram.

FIGURE 27-1: QEI BLOCK DIAGRAM



27.1 QEI Control Registers

TABLE 27-1: QEI1 THROUGH QEI2 REGISTER MAP

Virtual Address (BF82_#)	Register Name ⁽¹⁾	Bit Range	Bits															All Resets		
			31/15	30/14	29/13	28/12	27/11	26/10	25/9	24/8	23/7	22/6	21/5	20/4	19/3	18/2	17/1		16/0	
B200	QEI1CON	31:16	—	—	—	—	—	—	—	—	—	—	—	—	—	—	—	—	0000	
		15:0	QEIEN	—	QEISIDL	PIMOD<2:0>			IMV<1:0>			—	INTDIV<2:0>			CNTPOL	GATEN	CCM<1:0>		0000
B210	QEI1IOC	31:16	—	—	—	—	—	—	—	—	—	—	—	—	—	—	—	—	HCAPEN	0000
		15:0	QCAPEN	FLTREN	QFDIV<2:0>			OUTFNC<1:0>			SWPAB	HOMPOL	IDXPOL	QEBPOL	QEAPOL	HOME	INDEX	QEB	QEA	0000
B220	QEI1STAT	31:16	—	—	—	—	—	—	—	—	—	—	—	—	—	—	—	—	—	0000
		15:0	—	—	PCHEQIRQ	PCHEQIEN	PCLEQIRQ	PCLEQIEN	POSOVIRQ	POSOVIEN	PCIIIRQ	PCIIEN	VELOVIRQ	VELOVIEN	HOMIRQ	HOMIEN	IDXIRQ	IDXIEN	—	0000
B230	POS1CNT	31:16	POSCNT<31:16>															0000		
		15:0	POSCNT<15:0>															0000		
B240	POS1HLD	31:16	POSHLD<31:16>															0000		
		15:0	POSHLD<15:0>															0000		
B250	VEL1CNT	31:16	VELCNT<31:16>															0000		
		15:0	VELCNT<15:0>															0000		
B260	VEL1HLD	31:16	VELHLD<31:16>															0000		
		15:0	VELHLD<15:0>															0000		
B270	INT1TMR	31:16	INTTMR<31:16>															0000		
		15:0	INTTMR<15:0>															0000		
B280	INT1HLD	31:16	INTHLD<31:16>															0000		
		15:0	INTHLD<15:0>															0000		
B290	INDX1CNT	31:16	INDXCNT<31:16>															0000		
		15:0	INDXCNT<15:0>															0000		
B2A0	INDX1HLD	31:16	INDXHLD<31:16>															0000		
		15:0	INDXHLD<15:0>															0000		
B2B0	QEI1ICC	31:16	QEIIICC<31:16>															0000		
		15:0	QEIIICC<15:0>															0000		
B2C0	QEI1CMPL	31:16	QEICMPL<31:16>															0000		
		15:0	QEICMPL<15:0>															0000		
B400	QEI2CON	31:16	—	—	—	—	—	—	—	—	—	—	—	—	—	—	—	—	—	0000
		15:0	QEIEN	—	QEISIDL	PIMOD<2:0>			IMV<1:0>			—	INTDIV<2:0>			CNTPOL	GATEN	CCM<1:0>		0000
B410	QEI2IOC	31:16	—	—	—	—	—	—	—	—	—	—	—	—	—	—	—	—	HCAPEN	0000
		15:0	QCAPEN	FLTREN	QFDIV<2:0>			OUTFNC<1:0>			SWPAB	HOMPOL	IDXPOL	QEBPOL	QEAPOL	HOME	INDEX	QEB	QEA	0000

Legend: x = unknown value on Reset; — = unimplemented, read as '0'. Reset values are shown in hexadecimal.

Note 1: All registers in this table have corresponding CLR, SET, and INV registers at its virtual address, plus an offset of 0x4, 0x8, and 0xC, respectively. See [11.2 “CLR, SET, and INV Registers”](#) for more information.

TABLE 27-1: QE1 THROUGH QE2 REGISTER MAP (CONTINUED)

Virtual Address (BF82_#)	Register Name(1)	Bit Range	Bits															All Resets	
			31/15	30/14	29/13	28/12	27/11	26/10	25/9	24/8	23/7	22/6	21/5	20/4	19/3	18/2	17/1		16/0
B420	QEI2STAT	31:16	—	—	—	—	—	—	—	—	—	—	—	—	—	—	—	—	0000
		15:0	—	—	PCHEQIRQ	PCHEQIEN	PCLEQIRQ	PCLEQIEN	POSOVIRQ	POSOVIEN	PCIIRQ	PCIIEN	VELOVIRQ	VELOVIEN	HOMIRQ	HOMIEN	IDXIRQ	IDXIEN	0000
B430	POS2CNT	31:16	POSCNT<31:16>															0000	
		15:0	POSCNT<15:0>															0000	
B440	POS2HLD	31:16	POSHLD<31:16>															0000	
		15:0	POSHLD<15:0>															0000	
B450	VEL2CNT	31:16	VELCNT<31:16>															0000	
		15:0	VELCNT<15:0>															0000	
B460	VEL2HLD	31:16	VELHLD<31:16>															0000	
		15:0	VELHLD<15:0>															0000	
B470	INT2TMR	31:16	INTTMR<31:16>															0000	
		15:0	INTTMR<15:0>															0000	
B480	INT2HLD	31:16	INTHLD<31:16>															0000	
		15:0	INTHLD<15:0>															0000	
B490	INDX2CNT	31:16	INDXCNT<31:16>															0000	
		15:0	INDXCNT<15:0>															0000	
B4A0	INDX2HLD	31:16	INDXHLD<31:16>															0000	
		15:0	INDXHLD<15:0>															0000	
B4B0	QEI2ICC	31:16	QEIIICC<31:16>															0000	
		15:0	QEIIICC<15:0>															0000	
B4C0	QEI2CMPL	31:16	QEICMPL<31:16>															0000	
		15:0	QEICMPL<15:0>															0000	

Legend: x = unknown value on Reset; — = unimplemented, read as '0'. Reset values are shown in hexadecimal.

Note 1: All registers in this table have corresponding CLR, SET, and INV registers at its virtual address, plus an offset of 0x4, 0x8, and 0xC, respectively. See [11.2 “CLR, SET, and INV Registers”](#) for more information.

PIC32MK MCA Family

REGISTER 27-1: QEIXCON: QEIX CONTROL REGISTER ('X' = 1-2)

Bit Range	Bit 31/23/15/7	Bit 30/22/14/6	Bit 29/21/13/5	Bit 28/20/12/4	Bit 27/19/11/3	Bit 26/18/10/2	Bit 25/17/9/1	Bit 24/16/8/0
31:24	U-0	U-0	U-0	U-0	U-0	U-0	U-0	U-0
	—	—	—	—	—	—	—	—
23:16	U-0	U-0	U-0	U-0	U-0	U-0	U-0	U-0
	—	—	—	—	—	—	—	—
15:8	R/W-0	U-0	R/W-0	R/W-0	R/W-0	R/W-0	R/W-0	R/W-0
	QEIEN	—	QEISIDL	PIMOD<2:0> ⁽¹⁾			IMV<1:0> ⁽²⁾	
7:0	U-0	U-0	U-0	U-0	R/W-0	R/W-0	R/W-0	R/W-0
	—	INTDIV<2:0> ⁽³⁾			CNTPOL	GATEN	CCM<1:0>	

Legend:

R = Readable bit	W = Writable bit	U = Unimplemented bit, read as '0'
-n = Value at POR	'1' = Bit is set	'0' = Bit is cleared
		x = Bit is unknown

bit 31-16 **Unimplemented:** Read as '0'

bit 15 **QEIEN:** Quadrature Encoder Interface Module Counter Enable bit
 1 = Module counters are enabled
 0 = Module counters are disabled, but SFRs can be read or written

bit 14 **Unimplemented:** Read as '0'

bit 13 **QEISIDL:** Stop in Idle Mode bit
 1 = Discontinue module operation when device enters Idle mode
 0 = Continue module operation in Idle mode

bit 12-10 **PIMOD<2:0>:** Position Counter Initialization Mode Select bits⁽¹⁾
 111 = Modulo Count mode for position counter and every index event resets the position counter
 110 = Modulo Count mode for position counter
 101 = Resets the position counter when the position counter equals QEIXICCH register
 100 = Second index event after home event initializes position counter with contents of QEIXICCH register
 011 = First index event after home event initializes position counter with contents of QEIXICCH register
 010 = Next index input event initializes the position counter with contents of QEIXICCH register
 001 = Every Index input event resets the position counter
 000 = Index input event does not affect position counter

bit 9-8 **IMV<1:0>:** Index Match Value bits⁽²⁾
 11 = Index match occurs when QEB = 1 and QEA = 1
 10 = Index match occurs when QEB = 1 and QEA = 0
 01 = Index match occurs when QEB = 0 and QEA = 1
 00 = Index match occurs when QEB = 0 and QEA = 0

bit 7 **Unimplemented:** Read as '0'

- Note 1:** When CCM equals modes '01', '10', and '11', all of the QEI counters operate as timers and the PIMOD<2:0> bits are ignored.
- 2:** When CCM = 00 and QEA and QEB values match Index Match Value (IMV), the POSxCNTH and POSxCNTL registers are reset.
- 3:** The selected clock rate should be at least twice the expected maximum quadrature count rate.

PIC32MK MCA Family

REGISTER 27-1: QEIXCON: QEIX CONTROL REGISTER ('X' = 1-2) (CONTINUED)

- bit 6-4 **INTDIV<2:0>**: Timer Input Clock Prescale Select bits (Interval timer, Main timer (position counter), velocity counter and index counter internal clock divider select)⁽³⁾
- 111 = 1:128 prescale value
 - 110 = 1:64 prescale value
 - 101 = 1:32 prescale value
 - 100 = 1:16 prescale value
 - 011 = 1:8 prescale value
 - 010 = 1:4 prescale value
 - 001 = 1:2 prescale value
 - 000 = 1:1 prescale value
- bit **CNTPOL**: Position and Index Counter/Timer Direction Select bit
- 1 = Counter direction is negative unless modified by external Up/Down signal
 - 0 = Counter direction is positive unless modified by external Up/Down signal
- bit **GATEN**: External Count Gate Enable bit
- 1 = External gate signal controls position counter operation
 - 0 = External gate signal does not affect position counter/timer operation
- bit **CCM<1:0>**: Counter Control Mode Selection bits
- 11 = Internal Timer mode with optional QEB external clock gating input control based on GATEN. QEB High = Timer Run, QEB Low = Timer Stop.
 - 10 = QEA is the external clock input, QEB is optional clock gating input control based on GATEN. QEB High = Clock Run, QEB Low = Clock Stop.
 - 01 = QEA is the external clock input, QEB is external UP/DN direction input. (QEB High = Count Up, QEB Low = Count Down)
 - 00 = Quadrature Encoder Interface Count mode (x4 mode)

- Note 1:** When CCM equals modes '01', '10', and '11', all of the QEI counters operate as timers and the PIMOD<2:0> bits are ignored.
- 2:** When CCM = 00 and QEA and QEB values match Index Match Value (IMV), the POSxCNTH and POSxCNTL registers are reset.
- 3:** The selected clock rate should be at least twice the expected maximum quadrature count rate.

PIC32MK MCA Family

REGISTER 27-2: QEIXIOC: QEIX I/O CONTROL REGISTER ('X' = 1-2)

Bit Range	Bit 31/23/15/7	Bit 30/22/14/6	Bit 29/21/13/5	Bit 28/20/12/4	Bit 27/19/11/3	Bit 26/18/10/2	Bit 25/17/9/1	Bit 24/16/8/0
31:24	U-0	U-0	U-0	U-0	U-0	U-0	U-0	U-0
	—	—	—	—	—	—	—	—
23:16	U-0	U-0	U-0	U-0	U-0	U-0	U-0	R/W-0
	—	—	—	—	—	—	—	HCAPEN
15:8	R/W-0	R/W-0	R/W-0	R/W-0	R/W-0	R/W-0	R/W-0	R/W-0
	QCAPEN	FLTREN	QFDIV<2:0>			OUTFNC<1:0>		SWPAB
7:0	R/W-0	R/W-0	R/W-0	R/W-0	R-x	R-x	R-x	R-x
	HOMPOL	IDXPOL	QEBPOL	QEAPOL	HOME	INDEX	QEB	QEA

Legend:

R = Readable bit

W = Writable bit

U = Unimplemented bit, read as '0'

-n = Value at POR

'1' = Bit is set

'0' = Bit is cleared

x = Bit is unknown

bit 31-17 **Unimplemented:** Read as '0'

bit 16 **HCAPEN:** Position Counter Input Capture by Home Event Enable bit

1 = HOME_x input event (positive edge) triggers a position capture event

0 = HOME_x input event (positive edge) does not trigger a position capture event

bit 15 **QCAPEN:** Position Counter Input Capture Enable bit

1 = Positive edge detect of Home input triggers position capture function

0 = Home input event (positive edge) does not trigger a capture even

bit 14 **FLTREN:** QEA/QEB/INDX/HOME_x Digital Filter Enable bit

1 = Input Pin Digital filter is enabled

0 = Input Pin Digital filter is disabled (bypassed)

bit 13-11 **QFDIV<2:0>:** QEA/QEB/INDX/HOME_x Digital Input Filter Clock Divide Select bits

111 = 1:128 clock divide

110 = 1:64 clock divide

101 = 1:32 clock divide

100 = 1:16 clock divide

011 = 1:8 clock divide

010 = 1:4 clock divide

001 = 1:2 clock divide

000 = 1:1 clock divide

bit 10-9 **OUTFNC<1:0>:** QEI Module Output Function Mode Select bits

11 = The CNTCMP_x pin goes high when POS_xCNT ≤ QEIX_CMPL or POS_xCNT ≥ QEIX_CCH

10 = The CNTCMP_x pin goes high when POS_xCNT ≤ QEIX_CMPL

01 = The CNTCMP_x pin goes high when POS_xCNT ≥ QEIX_CCH

00 = Output is disabled

bit 8 **SWPAB:** Swap QEA and QEB Inputs bit

1 = QEAX and QEBX are swapped prior to quadrature decoder logic

0 = QEAX and QEBX are not swapped

bit 7 **HOMPOL:** HOME_x Input Polarity Select bit

1 = Input is inverted

0 = Input is not inverted

bit 6 **IDXPOL:** INDX_x Input Polarity Select bit

1 = Input is inverted

0 = Input is not inverted

bit 5 **QEBPOL:** QEB_x Input Polarity Select bit

1 = Input is inverted

0 = Input is not inverted

PIC32MK MCA Family

REGISTER 27-2: QEIXIOC: QEIX I/O CONTROL REGISTER ('X' = 1-2) (CONTINUED)

- bit 4 **QEAPOL:** QEAX Input Polarity Select bit
 1 = Input is inverted
 0 = Input is not inverted
- bit 3 **HOME:** Status of HOME_X Input Pin after Polarity Control bit (read-only)
 1 = Pin is at logic '1', if HOMPOL bit is set to '0'
 Pin is at logic '0', if HOMPOL bit is set to '1'
 0 = Pin is at logic '0', if HOMPOL bit is set to '0'
 Pin is at logic '1', if HOMPOL bit is set to '1'
- bit 2 **INDEX:** Status of IND_X Input Pin after Polarity Control bit (Read-Only)
 1 = Pin is at logic '1', if IDXPOL bit is set to '0'
 Pin is at logic '0', if IDXPOL bit is set to '1'
 0 = Pin is at logic '0', if IDXPOL bit is set to '0'
 Pin is at logic '1', if IDXPOL bit is set to '1'
- bit 1 **QEB:** Status of QEB_X Input Pin after Polarity Control and SWPAB Pin Swapping bit (read-only)
 1 = Physical pin QEB is at logic '1', if QEBPOL bit is set to '0' and SWPAB bit is set to '0'
 Physical pin QEB is at logic '0', if QEBPOL bit is set to '1' and SWPAB bit is set to '0'
 Physical pin QEA is at logic '1', if QEBPOL bit is set to '0' and SWPAB bit is set to '1'
 Physical pin QEA is at logic '0', if QEBPOL bit is set to '1' and SWPAB bit is set to '1'

 0 = Physical pin QEB is at logic '0', if QEBPOL bit is set to '0' and SWPAB bit is set to '0'
 Physical pin QEB is at logic '1', if QEBPOL bit is set to '1' and SWPAB bit is set to '0'
 Physical pin QEA is at logic '0', if QEBPOL bit is set to '0' and SWPAB bit is set to '1'
 Physical pin QEA is at logic '1', if QEBPOL bit is set to '1' and SWPAB bit is set to '1'
- bit 0 **QEA:** Status of QEA_X Input Pin after Polarity Control and SWPAB Pin Swapping bit (read-only)
 1 = Physical pin QEA is at logic '1', if QEAPOL bit is set to '0' and SWPAB bit is set to '0'
 Physical pin QEA is at logic '0', if QEAPOL bit is set to '1' and SWPAB bit is set to '0'
 Physical pin QEB is at logic '1', if QEAPOL bit is set to '0' and SWPAB bit is set to '1'
 Physical pin QEB is at logic '0', if QEAPOL bit is set to '1' and SWPAB bit is set to '1'

 0 = Physical pin QEA is at logic '0', if QEAPOL bit is set to '0' and SWPAB bit is set to '0'
 Physical pin QEA is at logic '1', if QEAPOL bit is set to '1' and SWPAB bit is set to '0'
 Physical pin QEB is at logic '0', if QEAPOL bit is set to '0' and SWPAB bit is set to '1'
 Physical pin QEB is at logic '1', if QEAPOL bit is set to '1' and SWPAB bit is set to '1'

PIC32MK MCA Family

REGISTER 27-3: QEIXSTAT: QEIX STATUS REGISTER ('X' = 1-2)

Bit Range	Bit 31/23/15/7	Bit 30/22/14/6	Bit 29/21/13/5	Bit 28/20/12/4	Bit 27/19/11/3	Bit 26/18/10/2	Bit 25/17/9/1	Bit 24/16/8/0
31:24	U-0	U-0	U-0	U-0	U-0	U-0	U-0	U-0
	—	—	—	—	—	—	—	—
23:16	U-0	U-0	U-0	U-0	U-0	U-0	U-0	U-0
	—	—	—	—	—	—	—	—
15:8	U-0	U-0	RC-0, HS	R/W-0	RC-0, HS	R/W-0	RC-0, HS	R/W-0
	—	—	PCHEQIRQ	PCHEQIEN	PCLEQIRQ	PCLEQIEN	POSOVIRQ	POSOVIEN
7:0	RC-0, HS	R/W-0	RC-0, HS	R/W-0	RC-0, HS	R/W-0	RC-0, HS	R/W-0
	PCIIIRQ ⁽¹⁾	PCIIEN	VELOVIRQ	VELOVIEN	HOMIRQ	HOMIEN	IDXIRQ	IDXIEN

Legend:

R = Readable bit W = Writable bit U = Unimplemented bit, read as '0'
-n = Value at POR '1' = Bit is set '0' = Bit is cleared x = Bit is unknown

bit 31-14 **Unimplemented:** Read as '0'

bit 13 **PCHEQIRQ:** Position Counter Greater Than or Equal Compare Status bit

- 1 = POSxCNT > QEIXICCH
- 0 = POSxCNT ≤ QEIXICCH

bit 12 **PCHEQIEN:** Position Counter Greater Than or Equal Compare Interrupt Enable bit

- 1 = Interrupt is enabled
- 0 = Interrupt is disabled

bit 11 **PCLEQIRQ:** Position Counter Less Than or Equal Compare Status bit

- 1 = POSxCNT < QEIXCMLP
- 0 = POSxCNT ≥ QEIXCMLP

bit 10 **PCLEQIEN:** Position Counter Less Than or Equal Compare Interrupt Enable bit

- 1 = Interrupt is enabled
- 0 = Interrupt is disabled

bit 9 **POSOVIRQ:** Position Counter Overflow Status bit

- 1 = Overflow has occurred
- 0 = No overflow has occurred

bit 8 **POSOVIEN:** Position Counter Overflow Interrupt Enable bit

- 1 = Interrupt is enabled
- 0 = Interrupt is disabled

bit 7 **PCIIIRQ:** Position Counter (Homing) Initialization Process Complete Status bit⁽¹⁾

- 1 = POSxCNT was reinitialized
- 0 = POSxCNT was not reinitialized

bit 6 **PCIIEN:** Position Counter (Homing) Initialization Process Complete Interrupt Enable bit

- 1 = Interrupt is enabled
- 0 = Interrupt is disabled

bit 5 **VELOVIRQ:** Velocity Counter Overflow Status bit

- 1 = Overflow has occurred
- 0 = No overflow has not occurred

bit 4 **VELOVIEN:** Velocity Counter Overflow Interrupt Enable bit

- 1 = Interrupt is enabled
- 0 = Interrupt is disabled

Note 1: This status bit is only applies to PIMOD<2:0> modes '011' and '100'.

PIC32MK MCA Family

REGISTER 27-3: QEIXSTAT: QEIX STATUS REGISTER ('X' = 1-2) (CONTINUED)

bit 3 **HOMIRQ:** Status Flag for Home Event Status bit

1 = Home event has occurred
0 = No Home event has occurred

bit 2 **HOMIEN:** Home Input Event Interrupt Enable bit

1 = Interrupt is enabled
0 = Interrupt is disabled

bit 1 **IDXIRQ:** Status Flag for Index Event Status bit

1 = Index event has occurred
0 = No Index event has occurred

bit 0 **IDXIEN:** Index Input Event Interrupt Enable bit

1 = Interrupt is enabled
0 = Interrupt is disabled

Note 1: This status bit is only applies to PIMOD<2:0> modes '011' and '100'.

PIC32MK MCA Family

REGISTER 27-4: POSxCNT: POSITION COUNTER REGISTER ('X' = 1-2)

Bit Range	Bit 31/23/15/7	Bit 30/22/14/6	Bit 29/21/13/5	Bit 28/20/12/4	Bit 27/19/11/3	Bit 26/18/10/2	Bit 25/17/9/1	Bit 24/16/8/0
31:24	R/W-0	R/W-0	R/W-0	R/W-0	R/W-0	R/W-0	R/W-0	R/W-0
POSCNT<31:24>								
23:16	R/W-0	R/W-0	R/W-0	R/W-0	R/W-0	R/W-0	R/W-0	R/W-0
POSCNT<23:16>								
15:8	R/W-0	R/W-0	R/W-0	R/W-0	R/W-0	R/W-0	R/W-0	R/W-0
POSCNT<15:8>								
7:0	R/W-0	R/W-0	R/W-0	R/W-0	R/W-0	R/W-0	R/W-0	R/W-0
POSCNT<7:0>								

Legend:

R = Readable bit
-n = Value at POR

W = Writable bit
'1' = Bit is set

U = Unimplemented bit, read as '0'
'0' = Bit is cleared
x = Bit is unknown

bit 31-0 **POSCNT<31:0>**: 32-bit Position Counter Register bits

The Operating mode of the position counter is controlled by the CCM bit in the QEIXCON register.

Quadrature Count mode: The QEA and QEB inputs are decoded to generate count pulses and direction information for controlling the position counter operation.

External Count with External Up/Down mode: The QEA/EXTCNT input is treated as an external count signal, and the QEB/DIR/GATE input provides the count direction information.

External Count with External Gate mode: The QEA/EXTCNT input is treated as an external count signal. If the GATEN bit in the QEIXCON register is equal to '1', the QEB/DIR/GATE input will gate the counter signal.

Internal Timer mode: The position counter uses PBCLK2 divided by the clock divider INTDIV as the count source.

PIC32MK MCA Family

REGISTER 27-5: VELxCNT: VELOCITY COUNTER REGISTER ('X' = 1-2)

Bit Range	Bit 31/23/15/7	Bit 30/22/14/6	Bit 29/21/13/5	Bit 28/20/12/4	Bit 27/19/11/3	Bit 26/18/10/2	Bit 25/17/9/1	Bit 24/16/8/0
31:24	R/W-0	R/W-0	R/W-0	R/W-0	R/W-0	R/W-0	R/W-0	R/W-0
VELCNT<31:24>								
23:16	R/W-0	R/W-0	R/W-0	R/W-0	R/W-0	R/W-0	R/W-0	R/W-0
VELCNT<23:16>								
15:8	R/W-0	R/W-0	R/W-0	R/W-0	R/W-0	R/W-0	R/W-0	R/W-0
VELCNT<15:8>								
7:0	R/W-0	R/W-0	R/W-0	R/W-0	R/W-0	R/W-0	R/W-0	R/W-0
VELCNT<7:0>								

Legend:

R = Readable bit

W = Writable bit

U = Unimplemented bit, read as '0'

-n = Value at POR

'1' = Bit is set

'0' = Bit is cleared

x = Bit is unknown

bit 31-0 **VELCNT<31:0>**: 32-bit Velocity Counter bits

The velocity counter is automatically cleared after every processor read of the velocity counter. It is not reset by the index input or otherwise affected by any of the PIMOD<2:0> specified modes. The contents of the counter represents the distance traveled during the time between samples. Velocity equals the distance traveled per unit of time. The velocity counter can save the application software the trouble of performing 32-bit math operations between current and previous position counter values to calculate velocity. If the velocity counter rolls over from 0x7FFFFFFF to 0x80000000, or from 0x80000000 to 0x7FFFFFFF, an overflow/underflow condition is detected. If the VELOVIEN bit is set in the QEISTAT register, an interrupt will be generated.

PIC32MK MCA Family

REGISTER 27-6: VELxHLD: VELOCITY HOLD REGISTER ('X' = 1-2)

Bit Range	Bit 31/23/15/7	Bit 30/22/14/6	Bit 29/21/13/5	Bit 28/20/12/4	Bit 27/19/11/3	Bit 26/18/10/2	Bit 25/17/9/1	Bit 24/16/8/0
31:24	R/W-0	R/W-0	R/W-0	R/W-0	R/W-0	R/W-0	R/W-0	R/W-0
	VELHLD<31:24>							
23:16	R/W-0	R/W-0	R/W-0	R/W-0	R/W-0	R/W-0	R/W-0	R/W-0
	VELHLD<23:16>							
15:8	R/W-0	R/W-0	R/W-0	R/W-0	R/W-0	R/W-0	R/W-0	R/W-0
	VELHLD<15:8>							
7:0	R/W-0	R/W-0	R/W-0	R/W-0	R/W-0	R/W-0	R/W-0	R/W-0
	VELHLD<7:0>							

Legend:

R = Readable bit
-n = Value at POR

W = Writable bit
'1' = Bit is set

U = Unimplemented bit, read as '0'

'0' = Bit is cleared x = Bit is unknown

bit 31-0 **VELHLD<31:0>**: 32-bit Velocity Hold bits

When VELXCNT is read, the contents are captured at the same time into the VELxHLD register.

REGISTER 27-7: INTxHLD: INTERVAL TIMER HOLD REGISTER ('X' = 1-2)

Bit Range	Bit 31/23/15/7	Bit 30/22/14/6	Bit 29/21/13/5	Bit 28/20/12/4	Bit 27/19/11/3	Bit 26/18/10/2	Bit 25/17/9/1	Bit 24/16/8/0
31:24	R/W-0	R/W-0	R/W-0	R/W-0	R/W-0	R/W-0	R/W-0	R/W-0
	INTHLD<31:24>							
23:16	R/W-0	R/W-0	R/W-0	R/W-0	R/W-0	R/W-0	R/W-0	R/W-0
	INTHLD<23:16>							
15:8	R/W-0	R/W-0	R/W-0	R/W-0	R/W-0	R/W-0	R/W-0	R/W-0
	INTHLD<15:8>							
7:0	R/W-0	R/W-0	R/W-0	R/W-0	R/W-0	R/W-0	R/W-0	R/W-0
	INTHLD<7:0>							

Legend:

R = Readable bit
-n = Value at POR

W = Writable bit
'1' = Bit is set

U = Unimplemented bit, read as '0'

'0' = Bit is cleared x = Bit is unknown

bit 31-0 **INTHLD<31:0>**: 32-bit Index Counter Hold bits

When the next count pulse is detected, the current contents of the interval timer (INTxTMR) are transferred to the Interval Hold register (INTxHLD) and the interval timer is cleared and the process repeats.

PIC32MK MCA Family

REGISTER 27-8: INDxCNT: INDEX COUNTER REGISTER ('X' = 1-2)

Bit Range	Bit 31/23/15/7	Bit 30/22/14/6	Bit 29/21/13/5	Bit 28/20/12/4	Bit 27/19/11/3	Bit 26/18/10/2	Bit 25/17/9/1	Bit 24/16/8/0
31:24	R/W-0	R/W-0	R/W-0	R/W-0	R/W-0	R/W-0	R/W-0	R/W-0
	INDxCNT<31:24>							
23:16	R/W-0	R/W-0	R/W-0	R/W-0	R/W-0	R/W-0	R/W-0	R/W-0
	INDxCNT<23:16>							
15:8	R/W-0	R/W-0	R/W-0	R/W-0	R/W-0	R/W-0	R/W-0	R/W-0
	INDxCNT<15:8>							
7:0	R/W-0	R/W-0	R/W-0	R/W-0	R/W-0	R/W-0	R/W-0	R/W-0
	INDxCNT<7:0>							

Legend:

R = Readable bit W = Writable bit U = Unimplemented bit, read as '0'
 -n = Value at POR '1' = Bit is set '0' = Bit is cleared x = Bit is unknown

bit 31-0 **IDXCNT<31:0>**: 32-bit Position Counter bits

REGISTER 27-9: INTxTMR: INTERVAL TIMER REGISTER ('X' = 1-2)

Bit Range	Bit 31/23/15/7	Bit 30/22/14/6	Bit 29/21/13/5	Bit 28/20/12/4	Bit 27/19/11/3	Bit 26/18/10/2	Bit 25/17/9/1	Bit 24/16/8/0
31:24	R/W-0	R/W-0	R/W-0	R/W-0	R/W-0	R/W-0	R/W-0	R/W-0
	INTTMR<31:24>							
23:16	R/W-0	R/W-0	R/W-0	R/W-0	R/W-0	R/W-0	R/W-0	R/W-0
	INTTMR<23:16>							
15:8	R/W-0	R/W-0	R/W-0	R/W-0	R/W-0	R/W-0	R/W-0	R/W-0
	INTTMR<15:8>							
7:0	R/W-0	R/W-0	R/W-0	R/W-0	R/W-0	R/W-0	R/W-0	R/W-0
	INTTMR<7:0>							

Legend:

R = Readable bit W = Writable bit U = Unimplemented bit, read as '0'
 -n = Value at POR '1' = Bit is set '0' = Bit is cleared x = Bit is unknown

bit 31-0 **INTTMR<31:0>**: 32-bit Interval Timer Counter bits

The INTxTMR register provides a means to measure the time between each decoded quadrature count pulse to yield improved velocity information. The interval timer should be set to run at a frequency chosen such that the counter does not overflow at the expected minimum operating speed of the motor. The interval timer is automatically cleared when a count pulse is detected. The timer then counts at the specified rate based on the setting of the INTDIV bit in the QElxCON register.

PIC32MK MCA Family

REGISTER 27-10: QEIXICC: QEIX INITIALIZE/CAPTURE/COMPARE REGISTER ('X' = 1-2)

Bit Range	Bit 31/23/15/7	Bit 30/22/14/6	Bit 29/21/13/5	Bit 28/20/12/4	Bit 27/19/11/3	Bit 26/18/10/2	Bit 25/17/9/1	Bit 24/16/8/0
31:24	R/W-0	R/W-0	R/W-0	R/W-0	R/W-0	R/W-0	R/W-0	R/W-0
	ICCH<31:24>							
23:16	R/W-0	R/W-0	R/W-0	R/W-0	R/W-0	R/W-0	R/W-0	R/W-0
	ICCH<23:16>							
15:8	R/W-0	R/W-0	R/W-0	R/W-0	R/W-0	R/W-0	R/W-0	R/W-0
	ICCH<15:8>							
7:0	R/W-0	R/W-0	R/W-0	R/W-0	R/W-0	R/W-0	R/W-0	R/W-0
	ICCH<7:0>							

Legend:

R = Readable bit W = Writable bit U = Unimplemented bit, read as '0'
 -n = Value at POR '1' = Bit is set '0' = Bit is cleared x = Bit is unknown

bit 31-0 **ICCH<31:0>**: 32-bit Initialize/Capture/Compare High bits

REGISTER 27-11: QEIXCMPL: CAPTURE LOW REGISTER ('X' = 1-2)

Bit Range	Bit 31/23/15/7	Bit 30/22/14/6	Bit 29/21/13/5	Bit 28/20/12/4	Bit 27/19/11/3	Bit 26/18/10/2	Bit 25/17/9/1	Bit 24/16/8/0
31:24	R/W-0	R/W-0	R/W-0	R/W-0	R/W-0	R/W-0	R/W-0	R/W-0
	CMPL<31:24>							
23:16	R/W-0	R/W-0	R/W-0	R/W-0	R/W-0	R/W-0	R/W-0	R/W-0
	CMPL<23:16>							
15:8	R/W-0	R/W-0	R/W-0	R/W-0	R/W-0	R/W-0	R/W-0	R/W-0
	CMPL<15:8>							
7:0	R/W-0	R/W-0	R/W-0	R/W-0	R/W-0	R/W-0	R/W-0	R/W-0
	CMPL<7:0>							

Legend:

R = Readable bit W = Writable bit U = Unimplemented bit, read as '0'
 -n = Value at POR '1' = Bit is set '0' = Bit is cleared x = Bit is unknown

bit 31-0 **CMPL<31:0>**: 32-bit Compare Low Value bits

PIC32MK MCA Family

28.0 MOTOR CONTROL PWM MODULE

Note: This data sheet summarizes the features of the PIC32MK MCA Family of devices. It is not intended to be a comprehensive reference source. To complement the information in this data sheet, refer to **Section 44. “Motor Control PWM (MCPWM)”** (DS60001393), which is available from the *Documentation > Reference Manual* section of the Microchip PIC32 web site (www.microchip.com/pic32).

The PIC32MK MCA Family of devices support a dedicated Motor Control Pulse-Width Modulation (PWM) module with up to 8 outputs.

The Motor Control PWM module consists of the following key features:

- Two master time base modules with special event triggers
- PWM module input clock prescaler
- Two synchronization inputs
- Two synchronization outputs
- 4 PWM generators with complimentary output pairs
- Period, duty cycle, phase shift and dead time minimum resolution of 1/FSYSCLK in Edge-Aligned mode and 2/FSYSCLK minimum resolution in Center-Aligned mode
- Cycle by cycle fault recovery and latched fault modes
- PWM time-base capture upon current limit
- 7 fault input pins are available for faults and current limits
- Programmable analog-to-digital trigger with interrupt for each PWM pair
- Complementary PWM outputs
- Push-Pull PWM outputs
- Edge-Aligned PWM mode
- Center-Aligned PWM mode
- Variable Phase PWM mode
- Multi-Phase PWM mode

- Fixed-Off Time PWM mode
- Current Limit PWM mode
- Current Reset PWM mode
- PWMxH and PWMxL output override control
- PWMxH and PWMxL output pin swapping
- Chopping mode (also known as Gated mode)
- Dead time insertion
- Dead time compensation
- Enhanced Leading-Edge Blanking (LEB)
- 15 mA PWM pin output drive

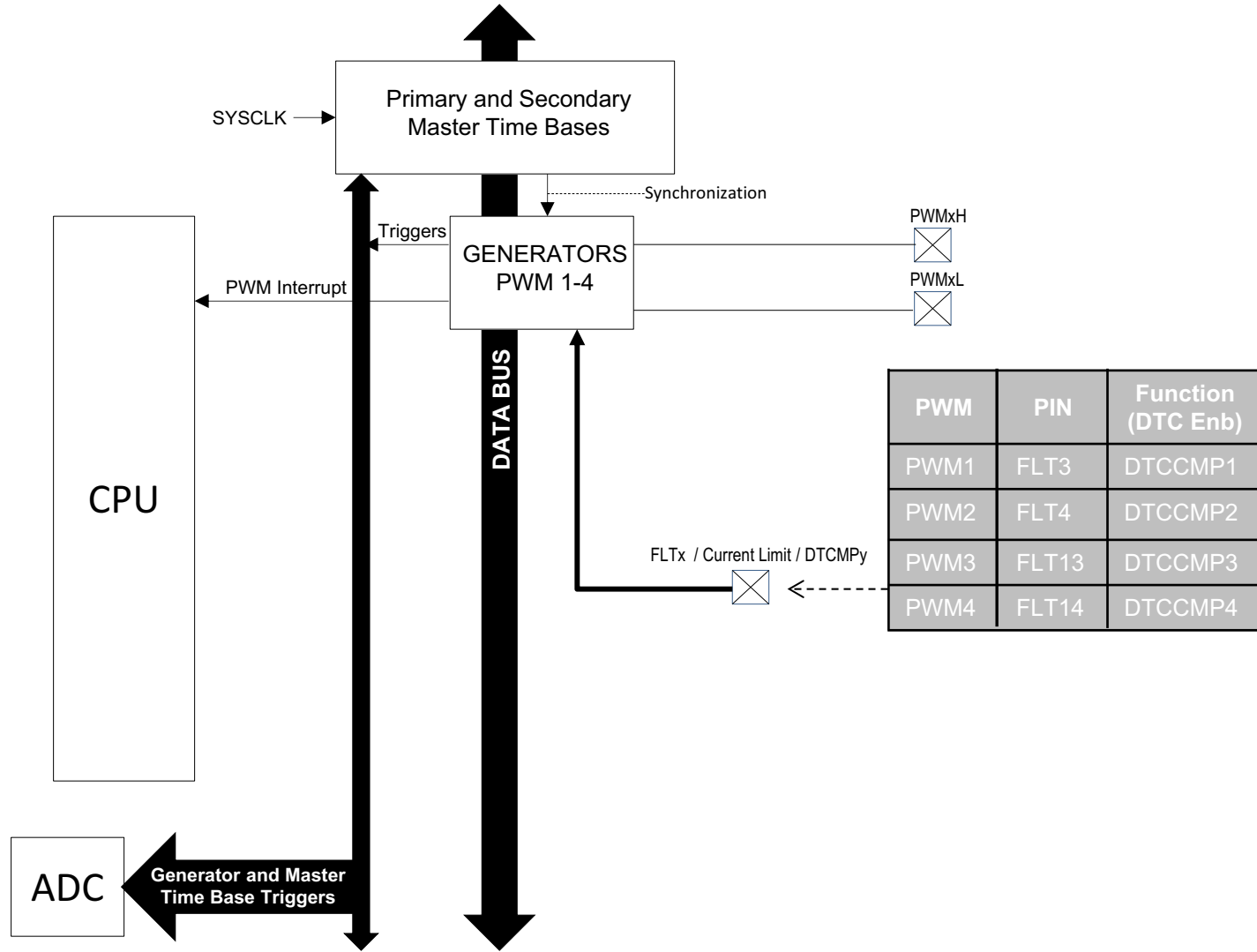
The Motor Control PWM module contains up to four PWM generators. Two master time base generators provide a synchronous signal as a common time base to synchronize the various PWM outputs. Each generator can operate independently or in synchronization with either of the two master time bases. The individual PWM outputs are available on the output pins of the device. The input Fault signals and current-limit signals, when enabled, can monitor and protect the system by placing the PWM outputs into a known “safe” state.

Each PWM can generate a trigger to the ADC module to sample the analog signal at a specific instance during the PWM period. In addition, the Motor Control PWM module also generates two Special Event Triggers to the ADC module based on the two master time bases.

PWM generators 1 through 4 have two outputs, PWMxH and PWMxL, brought out to the dedicated pins.

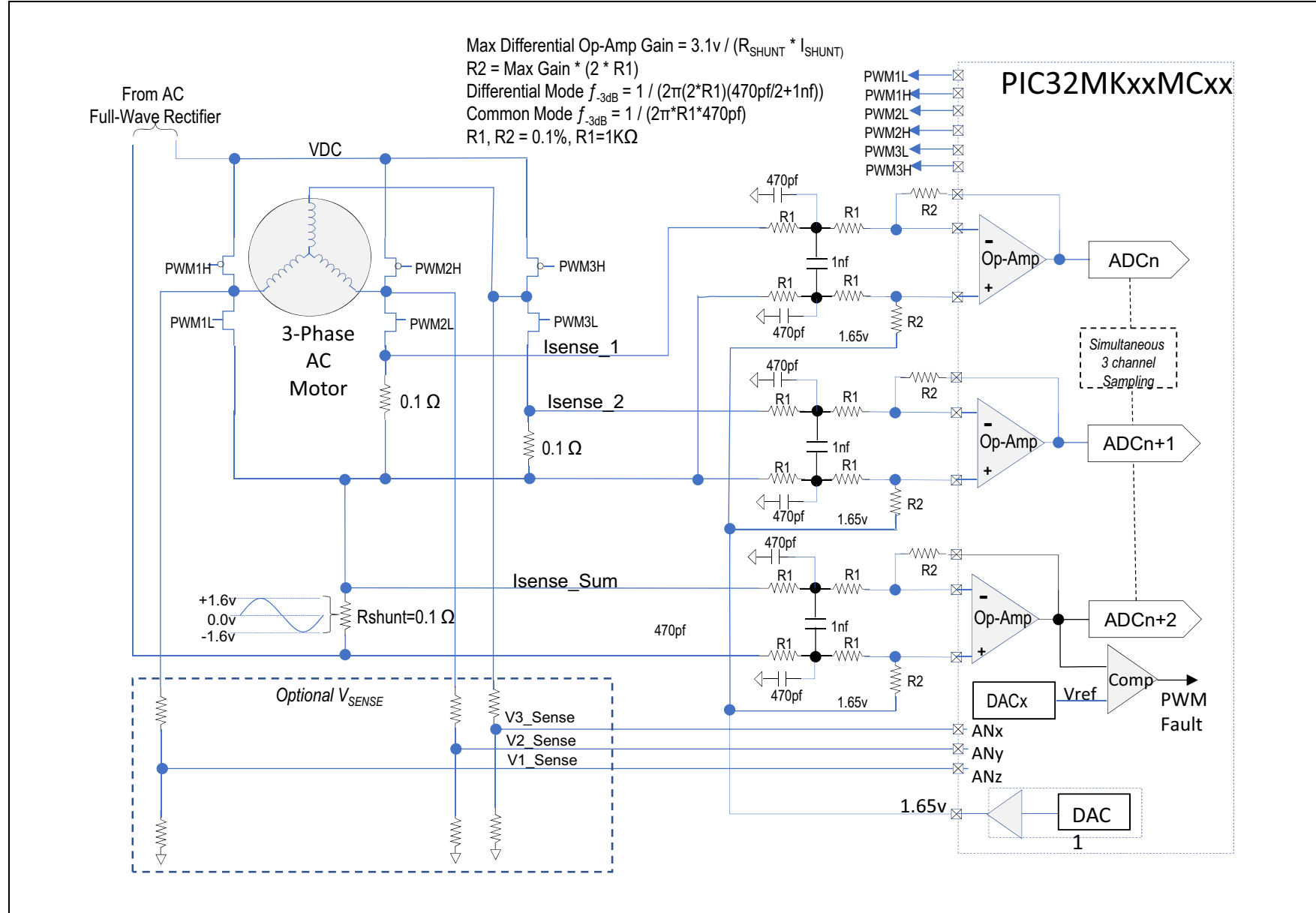
[Figure 28-1](#) illustrates an architectural overview of the Motor Control PWM module and its interconnection with the CPU and other peripherals.

FIGURE 28-1: MOTOR CONTROL PWM MODULE ARCHITECTURAL OVERVIEW



NOTE: Since DTCCMPx, (i.e. dead time compensation), FLTx and Current Limit share the same digital input pins, their availability is mutually exclusive with fault function as the highest priority.

FIGURE 28-2: 3 PHASE AC MOTOR CONTROL EXAMPLE



28.1 PWM Faults

The PWM module incorporates multiple external Fault inputs to include FLT1 and FLT2, which are remappable using the PPS feature, and FLT15, which has been implemented with Class B safety features, and is available on a fixed pin at reset for Fault detection.

Fault pins are selectable for active level (active high or low). FLT pins provide a safe and reliable way to shut down the PWM outputs, tri-state, when the Fault input is asserted. Therefore, the user should provide the necessary external pull-up or pull-down to disable the high or low side FETs in motor control applications.

28.1.1 PWM FAULTS AT RESET

During any reset event, the PWM module maintains ownership of the Class B fault FLT15. At reset, this fault is enabled in latched mode to guarantee the fail-safe power-up of the application. The application software must clear the PWM fault before enabling the High-Speed Motor Control PWM module. To clear the fault condition, the FLT15 pin must first be pulled low externally or the internal pull down resistor in the CNPDx register can be enabled.

Note: The Fault mode may be changed using the FLTMOD<1:0> bits (IOCONx<17:16>) regardless of the state of FLT15.

28.1.2 WRITE-PROTECTED REGISTERS

Write protection is implemented for the IOCONx register. The write protection feature prevents any inadvertent writes. This protection feature can be controlled by the PWMLOCK Configuration bit (DEVCFG3<20>). The default state of the write protection feature is disabled (PWMLOCK = 1). The write protection feature can be enabled by configuring the PWMLOCK = 0.

To gain write access, the application software must write two consecutive values of (0xABCD and 0x4321) to the PWMKEY register to perform the unlock operation. The write access to the IOCONx register must be the next SFR access following the unlock process. There can be no other SFR accesses during the unlock process and subsequent write access. Every write to the IOCONx register requires a prior unlock operation.

The unlocking sequence is described in [Example 28-1](#).

[Figure 28-3](#) shows the register interconnection diagram for the Motor Control PWM module.

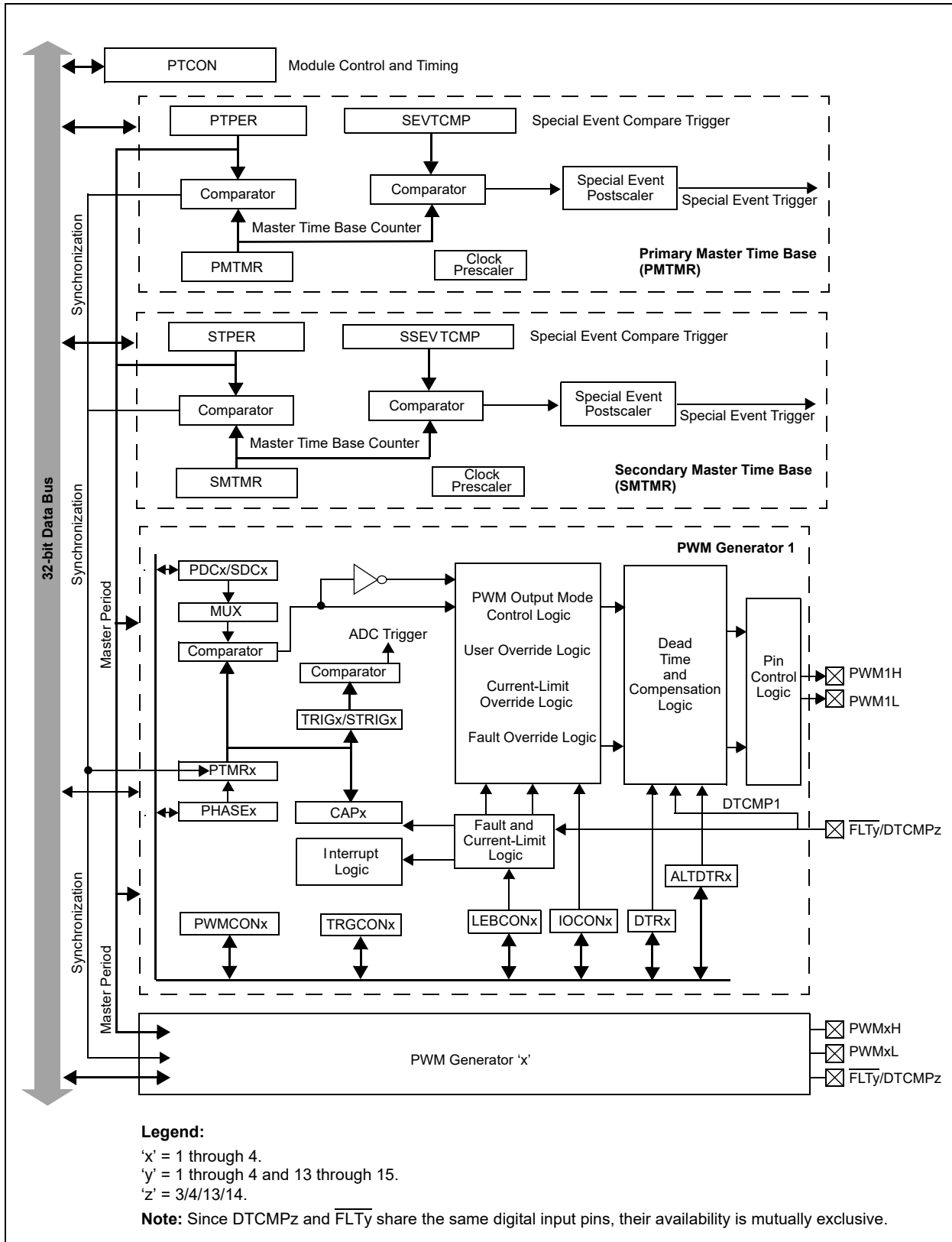
EXAMPLE 28-1: PWM WRITE-PROTECTED REGISTER UNLOCK SEQUENCE

Untested Code - For Information Purposes Only

```
; In the default Reset state, the FLT15 pin must be pulled low externally to clear and disable
; the fault.
; Writing to IOCONx register requires unlock sequence
di      v1
ehb
mov     #0xFFFF,r3      ;Disable interrupts
mov     #0xabcd,r1      ;Move desired IOCON4 register data to r3 register
mov     #0x4321,r2      ;Load first unlock key to r1 register
mov     r1, PWMKEY      ;Load second unlock key to r2 register
mov     r2, PWMKEY      ;Write first unlock key to PWMKEY register
mov     r3, IOCON4      ;Write second unlock key to PWMKEY register
mfc0   v0,c0_status     ;Write desired value to IOCON SFR for channel 4
ori     v0,v0,0x1
mtc0   v0,c0_status
ehb      ;Re-enable Interrupts
```

PIC32MK MCA Family

FIGURE 28-3: MOTOR CONTROL PWM MODULE REGISTER INTERCONNECTION DIAGRAM



28.2 Motor Control PWM Control Registers

TABLE 28-1: MCPWM REGISTER MAP

Virtual Address (BF82_#)	Register Name	Bit Range	Bits														All Resets	
			31/15	30/14	29/13	28/12	27/11	26/10	25/9	24/8	23/7	22/6	21/5	20/4	19/3	18/2		17/1
A000	PTCON	31:16	—	—	—	—	—	—	—	—	—	—	—	—	—	—	—	0000
		15:0	PTEN	—	PTSIDL	SESTAT	SEIEN	PWMRDY	—	—	—	PCLKDIV<2:0>			SEVTPS<3:0>			0000
A010	PTPER	31:16	—	—	—	—	—	—	—	—	—	—	—	—	—	—	—	0000
		15:0	PTPER<15:0>														0020	
A020	SEVTCMP	31:16	—	—	—	—	—	—	—	—	—	—	—	—	—	—	—	0000
		15:0	SEVTCMP<15:0>														0000	
A030	PMTMR	31:16	—	—	—	—	—	—	—	—	—	—	—	—	—	—	—	0000
		15:0	PMTMR<15:0>														0000	
A040	STCON	31:16	—	—	—	—	—	—	—	—	—	—	—	—	—	—	—	0000
		15:0	—	—	—	SSESTAT	SSEIEN	—	—	—	SCLKDIV<2:0>			SEVTPS<3:0>			0000	
A050	STPER	31:16	—	—	—	—	—	—	—	—	—	—	—	—	—	—	—	0000
		15:0	STPER<15:0>														0020	
A060	SSEVTCMP	31:16	—	—	—	—	—	—	—	—	—	—	—	—	—	—	—	0000
		15:0	SSEVTCMP<15:0>														0000	
A070	SMTMR	31:16	—	—	—	—	—	—	—	—	—	—	—	—	—	—	—	0000
		15:0	SMTMR<15:0>														0000	
A080	CHOP	31:16	—	—	—	—	—	—	—	—	—	—	—	—	—	—	—	0000
		15:0	CHPCLKEN	—	—	—	—	—	—	CHOPCLK<9:0>								0000
A090	PWMKEY	31:16	—	—	—	—	—	—	—	—	—	—	—	—	—	—	—	0000
		15:0	PWMKEY<15:0>														0000	
A0C0	PWMCN1	31:16	FLTIF	CLIF	TRGIF	PWMLIF	PWMHIF	—	—	—	FLTIE	CLIE	TRGIE	PWMLIE	PWMHIE	—	—	0000
		15:0	FLTSTAT	CLTSTAT	—	—	ECAM<1:0>		ITB	—	DTC<1:0>		DTCP	PTDIR	MTBS	—	XPRES	—
A0D0	IOCON1	31:16	—	—	CLSRC<3:0>				CLPOL	CLMOD	—	FLTSRC<3:0>			FLTPOL	FLTMOD<1:0>		0078
		15:0	PENH	PENL	POLH	POLL	PMOD<1:0>		OVRENH	OVRENL	OVRDAT<1:0>		FLTDAT<1:0>		CLDAT<1:0>		SWAP	OSYNC
A0E0	PDC1	31:16	—	—	—	—	—	—	—	—	—	—	—	—	—	—	—	0000
		15:0	PDC<15:0>														0000	
A0F0	SDC1	31:16	—	—	—	—	—	—	—	—	—	—	—	—	—	—	—	0000
		15:0	SDC<15:0>														0000	
A100	PHASE1	31:16	—	—	—	—	—	—	—	—	—	—	—	—	—	—	—	0000
		15:0	PHASE<15:0>														0000	
A110	DTR1	31:16	—	—	—	—	—	—	—	—	—	—	—	—	—	—	—	0000
		15:0	DTR<15:0>														0000	

Legend: '—' = unimplemented; read as '0'.

TABLE 28-1: MCPWM REGISTER MAP (CONTINUED)

Virtual Address (BF82_#)	Register Name	Bit Range	Bits															All Resets	
			31/15	30/14	29/13	28/12	27/11	26/10	25/9	24/8	23/7	22/6	21/5	20/4	19/3	18/2	17/1		16/0
A120	ALTDTR1	31:16	—	—	—	—	—	—	—	—	—	—	—	—	—	—	—	—	0000
		15:0	ALTDTR<15:0>															0000	
A130	DTCOMP1	31:16	—	—	—	—	—	—	—	—	—	—	—	—	—	—	—	—	0000
		15:0	COMP<13:0>															0000	
A140	TRIG1	31:16	—	—	—	—	—	—	—	—	—	—	—	—	—	—	—	—	0000
		15:0	TRGCMP<15:0>															0000	
A150	TRGCON1	31:16	—	—	—	—	—	—	—	—	—	—	—	—	—	—	—	—	0000
		15:0	TRGDIV<3:0>			TRGSEL<1:0>		STRGSEL<1:0>		DTM	STRGIS	—	—	—	—	—	—	—	—
A160	STRIG1	31:16	—	—	—	—	—	—	—	—	—	—	—	—	—	—	—	—	0000
		15:0	STRGCMP<15:0>															0000	
A170	CAP1	31:16	—	—	—	—	—	—	—	—	—	—	—	—	—	—	—	—	0000
		15:0	CAP<15:0>															0000	
A180	LEBCON1	31:16	—	—	—	—	—	—	—	—	—	—	—	—	—	—	—	—	0000
		15:0	PHR	PHF	PLR	PLF	FLTLEBEN	CLLEBEN	—	—	—	—	—	—	—	—	—	—	—
A190	LEBDLY1	31:16	—	—	—	—	—	—	—	—	—	—	—	—	—	—	—	—	0000
		15:0	LEB<11:0>															0000	
A1A0	AUXCON1	31:16	—	—	—	—	—	—	—	—	—	—	—	—	—	—	—	—	0000
		15:0	—											CHOPSEL<3:0>			CHOPHEN	CHOPLEN	0000
A1B0	PTMR1	31:16	—	—	—	—	—	—	—	—	—	—	—	—	—	—	—	—	0000
		15:0	TMR<15:0>															0000	
A1C0	PWMCON2	31:16	FLTIF	CLIF	TRGIF	PWMLIF	PWMHIF	—	—	—	FLTIEN	CLIEN	TRGIEN	PWMLIEN	PWMHIEN	—	—	—	0000
		15:0	FLTSTAT	CLTSTAT	—	—	ECAM<1:0>		ITB	—	DTC<1:0>		DTCP	PTDIR	MTBS	—	XPRES	—	0000
A1D0	IOCON2	31:16	—	—	CLSRC<3:0>				CLPOL	CLMOD	—	FLTSRC<3:0>				FLTPOL	FLTMOD<1:0>		0078
		15:0	PENH	PENL	POLH	POLL	PMOD<1:0>		OVRENH	OVRENL	OVRDAT<1:0>		FLTDAT<1:0>		CLDAT<1:0>		SWAP	OSYNC	0000
A1E0	PDC2	31:16	—	—	—	—	—	—	—	—	—	—	—	—	—	—	—	—	0000
		15:0	PDC<15:0>															0000	
A1F0	SDC2	31:16	—	—	—	—	—	—	—	—	—	—	—	—	—	—	—	—	0000
		15:0	SDC<15:0>															0000	
A200	PHASE2	31:16	—	—	—	—	—	—	—	—	—	—	—	—	—	—	—	—	0000
		15:0	PHASE<15:0>															0000	
A210	DTR2	31:16	—	—	—	—	—	—	—	—	—	—	—	—	—	—	—	—	0000
		15:0	DTR<15:0>															0000	
A220	ALTDTR2	31:16	—	—	—	—	—	—	—	—	—	—	—	—	—	—	—	—	0000
		15:0	ALTDTR<15:0>															0000	

Legend: '—' = unimplemented; read as '0'.

TABLE 28-1: MCPWM REGISTER MAP (CONTINUED)

Virtual Address (BF82_#)	Register Name	Bit Range	Bits															All Resets	
			31/15	30/14	29/13	28/12	27/11	26/10	25/9	24/8	23/7	22/6	21/5	20/4	19/3	18/2	17/1		16/0
A230	DTCOMP2	31:16	—	—	—	—	—	—	—	—	—	—	—	—	—	—	—	—	0000
		15:0	COMP<13:0>															0000	
A240	TRIG2	31:16	—	—	—	—	—	—	—	—	—	—	—	—	—	—	—	—	0000
		15:0	TRGCMP<15:0>															0000	
A250	TRGCON2	31:16	—	—	—	—	—	—	—	—	—	—	—	—	—	—	—	—	0000
		15:0	TRGDIV<3:0>			TRGSEL<1:0>			STRGSEL<1:0>		DTM	STRGIS	—	—	—	—	—	—	0000
A260	STRIG2	31:16	—	—	—	—	—	—	—	—	—	—	—	—	—	—	—	—	0000
		15:0	STRGCMP<15:0>															0000	
A270	CAP2	31:16	—	—	—	—	—	—	—	—	—	—	—	—	—	—	—	—	0000
		15:0	CAP<15:0>															0000	
A280	LEBCON2	31:16	—	—	—	—	—	—	—	—	—	—	—	—	—	—	—	—	0000
		15:0	PHR	PHF	PLR	PLF	FLTLEBEN	CLLEBEN	—	—	—	—	—	—	—	—	—	—	0000
A290	LEBDLY2	31:16	—	—	—	—	—	—	—	—	—	—	—	—	—	—	—	—	0000
		15:0	LEB<11:0>															0000	
A2A0	AUXCON2	31:16	—	—	—	—	—	—	—	—	—	—	—	—	—	—	—	—	0000
		15:0	—	—	—	—	—	—	—	—	—	—	CHOPSEL<3:0>			CHOPHEN	CHOPLEN	0000	
A2B0	PTMR2	31:16	—	—	—	—	—	—	—	—	—	—	—	—	—	—	—	—	0000
		15:0	TMR<15:0>															0000	
A2C0	PWMCON3	31:16	FLTIF	CLIF	TRGIF	PWMLIF	PWMHIF	—	—	—	FLTIEN	CLIEEN	TRGIEN	PWMLIEN	PWMHIEN	—	—	—	0000
		15:0	FLTSTAT	CLTSTAT	—	—	ECAM<1:0>		ITB	—	DTC<1:0>		DTCP	PTDIR	MTBS	—	XPRES	—	0000
A2D0	IOCON3	31:16	—	—	CLSRC<3:0>			CLPOL	CLMOD	—	FLTSRC<3:0>			FLTPOL	FLTMOD<1:0>		0078		
		15:0	PENH	PENL	POLH	POLL	PMOD<1:0>		OVRENH	OVRENL	OVRDAT<1:0>		FLTDAT<1:0>		CLDAT<1:0>	SWAP	OSYNC	0000	
A2E0	PDC3	31:16	—	—	—	—	—	—	—	—	—	—	—	—	—	—	—	0000	
		15:0	PDC<15:0>															0000	
A2F0	SDC3	31:16	—	—	—	—	—	—	—	—	—	—	—	—	—	—	—	0000	
		15:0	SDC<15:0>															0000	
A300	PHASE3	31:16	—	—	—	—	—	—	—	—	—	—	—	—	—	—	—	0000	
		15:0	PHASE<15:0>															0000	
A310	DTR3	31:16	—	—	—	—	—	—	—	—	—	—	—	—	—	—	—	0000	
		15:0	DTR<13:0>															0000	
A320	ALTDTR3	31:16	—	—	—	—	—	—	—	—	—	—	—	—	—	—	—	0000	
		15:0	ALTDTR<15:0>															0000	
A330	DTCOMP3	31:16	—	—	—	—	—	—	—	—	—	—	—	—	—	—	—	0000	
		15:0	COMP<13:0>															0000	

Legend: '—' = unimplemented; read as '0'.

TABLE 28-1: MCPWM REGISTER MAP (CONTINUED)

Virtual Address (BF82_#)	Register Name	Bit Range	Bits															All Resets
			31/15	30/14	29/13	28/12	27/11	26/10	25/9	24/8	23/7	22/6	21/5	20/4	19/3	18/2	17/1	
A340	TRIG3	31:16	—	—	—	—	—	—	—	—	—	—	—	—	—	—	—	0000
		15:0	TRGCMP<15:0>															0000
A350	TRGCON3	31:16	—	—	—	—	—	—	—	—	—	—	—	—	—	—	—	0000
		15:0	TRGDIV<3:0>			TRGSEL<1:0>			STRGSEL<1:0>		DTM	STRGIS	—	—	—	—	—	0000
A360	STRIG3	31:16	—	—	—	—	—	—	—	—	—	—	—	—	—	—	—	0000
		15:0	STRGCMP<15:0>															0000
A370	CAP3	31:16	—	—	—	—	—	—	—	—	—	—	—	—	—	—	—	0000
		15:0	CAP<15:0>															0000
A380	LEBCON3	31:16	—	—	—	—	—	—	—	—	—	—	—	—	—	—	—	0000
		15:0	PHR	PHF	PLR	PLF	FLTLEBEN	CLLEBEN	—	—	—	—	—	—	—	—	—	0000
A390	LEBDLY3	31:16	—	—	—	—	—	—	—	—	—	—	—	—	—	—	—	0000
		15:0	LEB<11:0>															0000
A3A0	AUXCON3	31:16	—	—	—	—	—	—	—	—	—	—	—	—	—	—	—	0000
		15:0	—	—	—	—	—	—	—	—	—	CHOPSEL<3:0>			CHOPHEN	CHOPLEN	0000	
A3B0	PTMR3	31:16	—	—	—	—	—	—	—	—	—	—	—	—	—	—	—	0000
		15:0	TMR<15:0>															0000
A3C0	PWMCON4	31:16	FLTIF	CLIF	TRGIF	PWMLIF	PWMHIF	—	—	—	FLTIEN	CLIEEN	TRGIEN	PWMLIEN	PWMHIEN	—	—	0000
		15:0	FLTSTAT	CLTSTAT	—	—	ECAM<1:0>		ITB	—	DTC<1:0>		DTCP	PTDIR	MTBS	—	XPRES	—
A3D0	IOCON4	31:16	—	—	CLSRC<3:0>			CLPOL	CLMOD	—	FLTSRC<3:0>			FLTPOL	FLTMOD<1:0>		0078	
		15:0	PENH	PENL	POLH	POLL	PMOD<1:0>		OVRENH	OVRENL	OVRDAT<1:0>		FLTDAT<1:0>		CLDAT<1:0>		SWAP	OSYNC
A3E0	PDC4	31:16	—	—	—	—	—	—	—	—	—	—	—	—	—	—	—	0000
		15:0	PDC<15:0>															0000
A3F0	SDC4	31:16	—	—	—	—	—	—	—	—	—	—	—	—	—	—	—	0000
		15:0	SDC<15:0>															0000
A400	PHASE4	31:16	—	—	—	—	—	—	—	—	—	—	—	—	—	—	—	0000
		15:0	PHASE<15:0>															0000
A410	DTR4	31:16	—	—	—	—	—	—	—	—	—	—	—	—	—	—	—	0000
		15:0	DTR<15:0>															0000
A420	ALTDTR4	31:16	—	—	—	—	—	—	—	—	—	—	—	—	—	—	—	0000
		15:0	ALTDTR<15:0>															0000
A430	DTCOMP4	31:16	—	—	—	—	—	—	—	—	—	—	—	—	—	—	—	0000
		15:0	COMP<13:0>															0000
A440	TRIG4	31:16	—	—	—	—	—	—	—	—	—	—	—	—	—	—	—	0000
		15:0	TRGCMP<15:0>															0000

Legend: '—' = unimplemented; read as '0'.

TABLE 28-1: MCPWM REGISTER MAP (CONTINUED)

Virtual Address (BF82_#)	Register Name	Bit Range	Bits														All Resets		
			31/15	30/14	29/13	28/12	27/11	26/10	25/9	24/8	23/7	22/6	21/5	20/4	19/3	18/2		17/1	16/0
A450	TRGCON4	31:16	—	—	—	—	—	—	—	—	—	—	—	—	—	—	—	—	0000
		15:0	TRGDIV<3:0>			TRGSEL<1:0>		STRGSEL<1:0>		DTM	STRGIS	—	—	—	—	—	—	—	0000
A460	STRIG4	31:16	—	—	—	—	—	—	—	—	—	—	—	—	—	—	—	—	0000
		15:0	STRGCMP<15:0>														0000		
A470	CAP4	31:16	—	—	—	—	—	—	—	—	—	—	—	—	—	—	—	—	0000
		15:0	CAP<15:0>														0000		
A480	LEBCON4	31:16	—	—	—	—	—	—	—	—	—	—	—	—	—	—	—	—	0000
		15:0	PHR	PHF	PLR	PLF	FLTLEBEN	CLLEBEN	—	—	—	—	—	—	—	—	—	—	0000
A490	LEBDLY4	31:16	—	—	—	—	—	—	—	—	—	—	—	—	—	—	—	—	0000
		15:0	LEB<11:0>														0000		
A4A0	AUXCON4	31:16	—	—	—	—	—	—	—	—	—	—	—	—	—	—	—	—	0000
		15:0	—	—	—	—	—	—	—	—	—	CHOPSEL<3:0>			CHOPHEN	CHOPLN	—	—	0000
A4B0	PTMR4	31:16	—	—	—	—	—	—	—	—	—	—	—	—	—	—	—	—	0000
		15:0	TMR<15:0>														0000		

Legend: '—' = unimplemented; read as '0'.

REGISTER 28-1: PTCN: PWM PRIMARY TIME BASE CONTROL REGISTER (CONTINUED)

bit 3-0 **SEVTPS<3:0>**: PWM Special Event Trigger Output Postscaler Select bits⁽²⁾

- 1111 = 1:16 postscaler generates Special Event trigger at every 16th compare match event
-
-
-
- 0001 = 1:2 postscaler generates Special Event trigger at every second compare match event
- 0000 = 1:1 postscaler generates Special Event trigger at every compare match event

- Note 1:** The SESTAT bit is cleared by clearing the SEIEN bit and the corresponding bit in the IFSx register.
- 2:** The SEVTPS<3:0> bits must be changed only when the PTEN bit (PTCON<15>) = 0.
- 3:** To clear the Primary Special Event Interrupt the user application must do the following:
- 1) Clear the SEIEN bit by setting it to '0'.
 - 2) Clear the Primary Special Event Interrupt flag by setting IFS5<11> = 0.
 - 3) Re-enabling the PTCN register by setting the SEIEN equal to '1' if desired.
- The user application will not be able to clear the Primary Special Event Interrupt flag as long as the SEIEN bit is equal to '1'.

PIC32MK MCA Family

REGISTER 28-2: PTPER: PRIMARY MASTER TIME BASE PERIOD REGISTER

Bit Range	Bit 31/23/15/7	Bit 30/22/14/6	Bit 29/21/13/5	Bit 28/20/12/4	Bit 27/19/11/3	Bit 26/18/10/2	Bit 25/17/9/1	Bit 24/16/8/0
31:24	U-0	U-0	U-0	U-0	U-0	U-0	U-0	U-0
	—	—	—	—	—	—	—	—
23:16	U-0	U-0	U-0	U-0	U-0	U-0	U-0	U-0
	—	—	—	—	—	—	—	—
15:8	R/W-0	R/W-0	R/W-0	R/W-0	R/W-0	R/W-0	R/W-0	R/W-0
	PTPER<15:8> ^(1,2)							
7:0	R/W-0	R/W-0	R/W-1	R/W-0	R/W-0	R/W-0 ⁽³⁾	R/W-0 ⁽³⁾	R/W-0 ⁽³⁾
	PTPER<7:0> ^(1,2)							

Legend:

R = Readable bit

W = Writable bit

U = Unimplemented bit, read as '0'

-n = Value at POR

'1' = Bit is set

'0' = Bit is cleared

x = Bit is unknown

bit 31-16 **Unimplemented:** Read as '0'

bit 15-0 **PTPER<15:0>:** Primary Master Time Base Period Value bits^(1,2,4)

Note 1: Minimum LSb = 1/FSYSCLK.

2: Minimum value is 0x0008.

3: If a period value is lesser than 0x0008 is chosen, the internal hardware forcefully sets the period to a minimum value of 0x0008.

4: $PTPER = (FSYSCLK / (F_{PWM} * PTCO\langle PCLKDIV \rangle))$
 F_{PWM} = User Desired PWM Frequency

PIC32MK MCA Family

REGISTER 28-8: SMTMR: SECONDARY MASTER TIME BASE TIMER REGISTER

Bit Range	Bit 31/23/15/7	Bit 30/22/14/6	Bit 29/21/13/5	Bit 28/20/12/4	Bit 27/19/11/3	Bit 26/18/10/2	Bit 25/17/9/1	Bit 24/16/8/0
31:24	U-0	U-0	U-0	U-0	U-0	U-0	U-0	U-0
	—	—	—	—	—	—	—	—
23:16	U-0	U-0	U-0	U-0	U-0	U-0	U-0	U-0
	—	—	—	—	—	—	—	—
15:8	R-0	R-0	R-0	R-0	R-0	R-0	R-0	R-0
	SMTMR<15:8> ⁽¹⁾							
7:0	R-0	R-0	R-0	R-0	R-0	R-0	R-0	R-0
	SMTMR<7:0> ⁽¹⁾							

Legend:

R = Readable bit

W = Writable bit

U = Unimplemented bit, read as '0'

-n = Value at POR

'1' = Bit is set

'0' = Bit is cleared

x = Bit is unknown

bit 31-16 **Unimplemented:** Read as '0'

bit 15-0 **SMTMR<15:0>:** Secondary Master Time Base Timer Value bits⁽¹⁾

This timer increments with each PWM FSYSCCLK until the STPER value is reached.

Note 1: Min LSb = 1/FSYSCLK.

PIC32MK MCA Family

REGISTER 28-10: PWMKEY: PWM UNLOCK REGISTER

Bit Range	Bit 31/23/15/7	Bit 30/22/14/6	Bit 29/21/13/5	Bit 28/20/12/4	Bit 27/19/11/3	Bit 26/18/10/2	Bit 25/17/9/1	Bit 24/16/8/0
31:24	U-0	U-0	U-0	U-0	U-0	U-0	U-0	U-0
	—	—	—	—	—	—	—	—
23:16	U-0	U-0	U-0	U-0	U-0	U-0	U-0	U-0
	—	—	—	—	—	—	—	—
15:8	W-0	W-0	W-0	W-0	W-0	W-0	W-0	W-0
	PWMKEY<15:8>							
7:0	W-0	W-0	W-0	W-0	W-0	W-0	W-0	W-0
	PWMKEY<7:0>							

Legend:

R = Readable bit

W = Writable bit

U = Unimplemented bit, read as '0'

-n = Value at POR

'1' = Bit is set

'0' = Bit is cleared

x = Bit is unknown

bit 31-16 **Unimplemented:** Read as '0'

bit 15-0 **PWMKEY<15:0>:** PWM Unlock bits

If the PWMLOCK Configuration bit is asserted (PWMLOCK = 0), the IOCONx registers are writable only after the proper sequence is written to the PWMKEY register. If the PWMLOCK Configuration bit is deasserted (PWMLOCK = 1), the IOCONx registers are writable at all times. For more information on the unlock sequence, refer to the **44.9 "Write Protection"** in **Section 44. Motor Control PWM (MCPWM)** (DS60001393) of the *"PIC32 Family Reference Manual"* for more information.

This register is implemented only in devices where the PWMLOCK Configuration bit is present in the DEVCFG3 Configuration register.

Note: The user must write two consecutive values of 0xABCD and 0x4321 to the PWMKEY register to perform an unlock operation if PWMLOCK = 0. Write access to any subsequent secure register must be the very next access following the unlock process. This is not an atomic operation and any CPU interrupts that occur during or immediately after an unlock sequence may cause writes to any PWM secure register to fail.

PIC32MK MCA Family

REGISTER 28-11: PWMCONx: PWM CONTROL REGISTER 'x' ('x' = 1 THROUGH 4) (CONTINUED)

bit 21	TRIGIEN: Primary Trigger Interrupt Enable bit 1 = A primary trigger event generates an interrupt request 0 = A primary trigger event interrupts request is disabled
bit 20	PWMLIEN: PWM Low Phase Interrupt Enable bit 1 = When the PWM Timer is equal to 0x4, the PWMLIF flag = 1 and generates an interrupt request 0 = PWM Period event interrupt request is disabled
bit 19	PWMHIEN: PWM High Phase Interrupt Enable bit 1 = When the PWM Period matches the value in the PWM timer, an interrupt request is generated 0 = PWM Period event interrupt request is disabled, and the PWMHIF bit is cleared
bit 18-16	Unimplemented: Read as '0'
bit 15	FLTSTAT: Fault Interrupt Status bit ⁽¹⁾ 1 = Fault interrupt is pending 0 = No fault interrupt is pending This bit is cleared by setting FLTIEN = 0.
bit 14	CLTSTAT: Current-Limit Interrupt Status bit ⁽¹⁾ 1 = Current-limit interrupt is pending 0 = No current-limit interrupt is pending This bit is cleared by setting CLIEN = 0.
bit 13-12	Unimplemented: Read as '0'
bit 11-10	ECAM<1:0>: Edge/Center-Aligned Mode Enable bits ⁽¹⁾ 11 = Asymmetric Center-Aligned mode with simultaneous update (PWM(min) Duty Cycle Resolution = (1/FSYSCLK)) 10 = Asymmetric Center-Aligned mode double update (PWM(min) Duty Cycle Resolution = (1/FSYSCLK)) 01 = Symmetric Center-Aligned mode (PWM(min) Duty Cycle Resolution = (2/FSYSCLK)) 00 = Edge-Aligned mode (PWM(min) Duty Cycle Resolution = (1/FSYSCLK))
bit 9	ITB: Independent Time Base Mode bit ⁽²⁾ 1 = PHASEx registers provide time base period for this PWM generator 0 = PTPER/STPER register provides timing for this PWM generator based on the MTBS bit
bit 8	Unimplemented: Read as '0'
bit 7-6	DTC<1:0>: Dead Time Control bits 11 = Dead Time Compensation mode enabled 10 = Dead time function is disabled 01 = Negative dead time actively applied for Complementary Output mode ⁽⁵⁾ 00 = Positive dead time actively applied for all output modes
bit 5	DTCP: Dead Time Compensation Polarity bit ⁽⁵⁾ 1 = If the DTCMPx pin = 0, PWMxL is shortened, and PWMxH is lengthened If the DTCMPx pin = 1, PWMxH is shortened, and PWMxL is lengthened 0 = If the DTCMPx pin = 0, PWMxH is shortened, and PWMxL is lengthened If the DTCMPx pin = 1, PWMxL is shortened, and PWMxH is lengthened

- Note 1:** If PWM interrupts are enabled, software must clear the PWMCONx interrupt flags here first, followed second by the corresponding IFSx bit in the Interrupt controller. The corresponding PWM IFSx interrupt flag cannot be cleared if any of these local PWMCON interrupt bits are not cleared first. Failure to do so will result in an infinite interrupt loop.
- 2:** This bit should not be changed after the PWM is enabled (PTEN bit (PTCON<15>) = 1).
- 3:** To operate in External Period Reset mode, the ITB bit must be set to '1' and the CLMOD bit in the IOCONx register must be set to '0'.
- 4:** For Dead Time Compensation (DTCP) to be effective, DTC<1:0> must be set to '11'; otherwise, DTCP is ignored.
- 5:** Negative dead time is only implemented for Edge-Aligned mode.
- 6:** XPRES mode should only be used in Edge-Aligned mode with or without complimentary outputs. It does not support dead time compensation (i.e., duty cycle adjustment), which is selected when DTC<1:0> = 11.
- 7:** The clock source is one of the master time bases even if ITB = 1 is selected.

REGISTER 28-11: PWMCONx: PWM CONTROL REGISTER 'x' ('x' = 1 THROUGH 4) (CONTINUED)

bit 4	PTDIR: PWM Timer Direction bit ⁽⁶⁾ 1 = PWM timer is decrementing 0 = PWM timer is incrementing
bit 3	MTBS: Master Time Base Select bit ⁽⁷⁾ 1 = Secondary master time base is the clock source for the MCPWM module 0 = Primary master time base is the clock source for the MCPWM module
bit 2	Unimplemented: Read as '0'
bit 1	XPRES: External PWM Reset Control bit ⁽³⁾ 1 = Current-limit source resets primary local time base for this PWM generator if it is in Independent Time Base mode and the PWM module enters the deassertion portion of the duty cycle 0 = External pins do not affect PWM time base Note: If the Current-Limit Reset signal is asserted during the active assertion time of the duty cycle, the time base will not Reset until two PWM clock cycles after the duty cycle transition from assertion to deassertion phase of the duty cycle.
bit 0	Unimplemented: Read as '0'

- Note 1:** If PWM interrupts are enabled, software must clear the PWMCONx interrupt flags here first, followed second by the corresponding IFSx bit in the Interrupt controller. The corresponding PWM IFSx interrupt flag cannot be cleared if any of these local PWMCON interrupt bits are not cleared first. Failure to do so will result in an infinite interrupt loop.
- 2:** This bit should not be changed after the PWM is enabled (PTEN bit (PTCON<15>) = 1).
- 3:** To operate in External Period Reset mode, the ITB bit must be set to '1' and the CLMOD bit in the IOCONx register must be set to '0'.
- 4:** For Dead Time Compensation (DTCP) to be effective, DTC<1:0> must be set to '11'; otherwise, DTCP is ignored.
- 5:** Negative dead time is only implemented for Edge-Aligned mode.
- 6:** XPRES mode should only be used in Edge-Aligned mode with or without complimentary outputs. It does not support dead time compensation (i.e., duty cycle adjustment), which is selected when DTC<1:0> = 11.
- 7:** The clock source is one of the master time bases even if ITB = 1 is selected.

PIC32MK MCA Family

REGISTER 28-12: IOCONx: PWMX I/O CONTROL REGISTER 'x' ('x' = 1 THROUGH 4)

Bit Range	Bit 31/23/15/7	Bit 30/22/14/6	Bit 29/21/13/5	Bit 28/20/12/4	Bit 27/19/11/3	Bit 26/18/10/2	Bit 25/17/9/1	Bit 24/16/8/0
31:24	U-0	U-0	R/W-0	R/W-0	R/W-0	R/W-0	R/W-0	R/W-0
	—	—	CLSRC<3:0> ^(2,4)				CLPOL ^(2,4)	CLMOD ^(2,4)
23:16	U-0	R/W-1	R/W-1	R/W-1	R/W-1	R/W-0	R/W-0	R/W-0
	—	FLTSRC<3:0> ^(2,4)				FLTPOL ⁽²⁾	FLTMOD<1:0> ⁽⁴⁾	
15:8	R/W-0	R/W-0	R/W-0	R/W-0	R/W-0	R/W-0	R/W-0	R/W-0
	PENH ⁽¹⁾	PENL ⁽¹⁾	POLH ⁽²⁾	POLL ⁽²⁾	PMOD<1:0> ⁽²⁾		OVRENH	OVRENL
7:0	R/W-0	R/W-0	R/W-0	R/W-0	R/W-0	R/W-0	R/W-0	R/W-0
	OVRDAT<1:0> ⁽³⁾		FLTDAT<1:0> ^(2,3)		CLDAT<1:0>		SWAP	OSYNC

Legend:

R = Readable bit W = Writable bit U = Unimplemented bit, read as '0'
-n = Value at POR '1' = Bit is set '0' = Bit is cleared x = Bit is unknown

bit 31-30 **Unimplemented:** Read as '0'

Note 1: During PWM initialization, if the PWMLOCK fuse bit is 'enabled' (logic '0'), the control on the state of the PWMxL/PWMxH output pins rests solely with the PENH and PENL bits. However, these bits are at '0', which leaves the pin control with the I/O module. Care must be taken to not inadvertently set the TRIS bits to output, which could impose an incorrect output on the PWMxH/PWMxL pins even if there are external pull-up and pull-down resistors. The data direction for the pins must be set to input if tri-state behavior is desired or be driven to the appropriate logic states. The PENH and PENL bits must always be initialized prior to enabling the MCPWM module (PTEN bit = 1).

- 2: These bits must not be changed after the MCPWM module is enabled (PTEN bit = 1).
- 3: State represents Active/Inactive state of the PWM, depending on the POLH and POLL bits. For example, if FLTDAT<1> is set to '1' and POLH is set to '1', the PWMxH pin will be at logic level 0 (active level) when a Fault occurs.
- 4: If (PWMLOCK = 0), these bits are writable only after the proper sequence is written to the PWMKEY register. If (PWMLOCK = 1), these bits are writable at all times. The user application must write two consecutive values of (0xABCD and 0x4321) to the PWMKEY register to perform the unlock operation for the IOCONx register if PWMLOCK = 1. Write access to a IOCONx register must be the next SFR access following the unlock process. There can be no other SFR accesses during the unlock process and subsequent write access. This is not an atomic operation, and therefore, any CPU interrupts that occur during or immediately after an unlock sequence may cause the IOCONx SFR write access to fail.

Note: Dead Time Compensation, Current-Limit, and Faults share common inputs on the FLTx inputs ('x' = 1-8, and 15). Therefore, it is not recommended that a user application assign these multiple functions on the same Fault FLTx pin. In addition, DTCMP functions are fixed to specific FLTx inputs, where Current-Limit, (CLSRC<3:0> bits) and Faults (FLTSRC<3:0> bits) can be assigned to any one of 15 unique and separate inputs. For example, if a user application was required to assign multiple simultaneous Fault, Current-Limit, DTCMP to a single PWM1. Refer to the following examples for both desirable and undesirable practices.

Desirable Example PWM1: (DTCMP1 = FLT3 pin, Current Limit = FLT7 pin, Fault = FLT8 pin)

```
PWMCON1bits.DTC = 0b11;                      //Enable DTCMP1 input on FLT3 function pin
IOCON1bits.CLMOD = 1;                      //Enable PWM1 Current-Limit mode
IOCON1bits.CLSRC = 0b0110;                      //Enable current limit for PWM1 on FLT7 pin
IOCON1bits.FLTMOD = 1;                      //Enable PWM1 Fault mode
IOCON1bits.FLTSRC = 0b0111;                      //Enable Fault for PWM1 on FLT8 pin
```

Undesirable Example: PWM1: (DTCMP1 = Current Limit = Fault = FLT3 pin)

```
PWMCON1bits.DTC = 0b11;                      //Enable DTCMP1 input on FLT3 function pin
IOCON1bits.CLMOD = 1;                      //Enable PWM1 Current-Limit mode
IOCON1bits.CLSRC = 0b0010;                      //Enable current limit for PWM1 on FLT3 pin
IOCON1bits.FLTMOD = 1;                      //Enable PWM1 Fault mode
IOCON1bits.FLTSRC = 0b0010;                      //Enable Fault for PWM1 on FLT3 pin
```

REGISTER 28-12: IOCONx: PWMX I/O CONTROL REGISTER 'x' ('x' = 1 THROUGH 4) (CONTINUED)

bit 29-26 **CLSRC<3:0>**: Current-Limit Control Signal Source select bit for PWM Generator 'x'(2,4)

These bits specify the current-limit control signal source.

1111 = FLT15
 1110 = Reserved
 1101 = Reserved
 1100 = Comparator 5
 1011 = Comparator 4
 1010 = Comparator 3
 1001 = Comparator 2
 1000 = Comparator 1
 0111 = FLT8
 0110 = FLT7
 0101 = FLT6
 0100 = FLT5
 0011 = FLT4
 0010 = FLT3
 0001 = FLT2
 0000 = FLT1

bit 25 **CLPOL**: Current-Limit Polarity bits for PWM Generator 'x'(2,4)

1 = The selected current-limit source is active-low
 0 = The selected current-limit source is active-high

- Note 1:** During PWM initialization, if the PWMLOCK fuse bit is 'enabled' (logic '0'), the control on the state of the PWMxL/PWMxH output pins rests solely with the PENH and PENL bits. However, these bits are at '0', which leaves the pin control with the I/O module. Care must be taken to not inadvertently set the TRIS bits to output, which could impose an incorrect output on the PWMxH/PWMxL pins even if there are external pull-up and pull-down resistors. The data direction for the pins must be set to input if tri-state behavior is desired or be driven to the appropriate logic states. The PENH and PENL bits must always be initialized prior to enabling the MCPWM module (PTEN bit = 1).
- 2:** These bits must not be changed after the MCPWM module is enabled (PTEN bit = 1).
- 3:** State represents Active/Inactive state of the PWM, depending on the POLH and POLL bits. For example, if FLTDAT<1> is set to '1' and POLH is set to '1', the PWMxH pin will be at logic level 0 (active level) when a Fault occurs.
- 4:** If (PWMLOCK = 0), these bits are writable only after the proper sequence is written to the PWMKEY register. If (PWMLOCK = 1), these bits are writable at all times. The user application must write two consecutive values of (0xABCD and 0x4321) to the PWMKEY register to perform the unlock operation for the IOCONx register if PWMLOCK = 1. Write access to a IOCONx register must be the next SFR access following the unlock process. There can be no other SFR accesses during the unlock process and subsequent write access. This is not an atomic operation, and therefore, any CPU interrupts that occur during or immediately after an unlock sequence may cause the IOCONx SFR write access to fail.

Note: Dead Time Compensation, Current-Limit, and Faults share common inputs on the FLT_x inputs ('x' = 1-8, and 15). Therefore, it is not recommended that a user application assign these multiple functions on the same Fault FLT_x pin. In addition, DTCMP functions are fixed to specific FLT_x inputs, where Current-Limit, (CLSRC<3:0> bits) and Faults (FLTSRC<3:0> bits) can be assigned to any one of 15 unique and separate inputs. For example, if a user application was required to assign multiple simultaneous Fault, Current-Limit, DTCMP to a single PWM1. Refer to the following examples for both desirable and undesirable practices.

Desirable Example PWM1: (DTCMP1 = FLT3 pin, Current Limit = FLT7 pin, Fault = FLT8 pin)

```
PWMCON1bits.DTC = 0b11; //Enable DTCMP1 input on FLT3 function pin
IOCON1bits.CLMOD = 1; //Enable PWM1 Current-Limit mode
IOCON1bits.CLSRC = 0b0110; //Enable current limit for PWM1 on FLT7 pin
IOCON1bits.FLTMOD = 1; //Enable PWM1 Fault mode
IOCON1bits.FLTSRC = 0b0111; //Enable Fault for PWM1 on FLT8 pin
```

Undesirable Example: PWM1: (DTCMP1 = Current Limit = Fault = FLT3 pin)

```
PWMCON1bits.DTC = 0b11; //Enable DTCMP1 input on FLT3 function pin
IOCON1bits.CLMOD = 1; //Enable PWM1 Current-Limit mode
IOCON1bits.CLSRC = 0b0010; //Enable current limit for PWM1 on FLT3 pin
IOCON1bits.FLTMOD = 1; //Enable PWM1 Fault mode
IOCON1bits.FLTSRC = 0b0010; //Enable Fault for PWM1 on FLT3 pin
```

PIC32MK MCA Family

REGISTER 28-12: IOCONx: PWMX I/O CONTROL REGISTER 'x' ('x' = 1 THROUGH 4) (CONTINUED)

- bit 24 **CLMOD:** Current-Limit Mode Enable bit for PWM Generator 'x'^(2,4)
1 = Current-limit function is enabled
0 = Current-limit function is disabled, current-limit overrides disabled (current-limit interrupts can still be generated). If Faults are enabled, FLTMOD will override the CLMOD bit.
Changes take effect on the next PWM cycle boundary following PWM being enabled, and subsequently on each PWM cycle boundary. When updating CLMOD from '1' to '0', if the current-limit input is still active, the current-limit override condition will not be removed.
- bit 23 **Unimplemented:** Read as '0'

- Note 1:** During PWM initialization, if the PWMLOCK fuse bit is 'enabled' (logic '0'), the control on the state of the PWMxL/PWMxH output pins rests solely with the PENH and PENL bits. However, these bits are at '0', which leaves the pin control with the I/O module. Care must be taken to not inadvertently set the TRIS bits to output, which could impose an incorrect output on the PWMxH/PWMxL pins even if there are external pull-up and pull-down resistors. The data direction for the pins must be set to input if tri-state behavior is desired or be driven to the appropriate logic states. The PENH and PENL bits must always be initialized prior to enabling the MCPWM module (PTEN bit = 1).
- 2:** These bits must not be changed after the MCPWM module is enabled (PTEN bit = 1).
- 3:** State represents Active/Inactive state of the PWM, depending on the POLH and POLL bits. For example, if FLTDAT<1> is set to '1' and POLH is set to '1', the PWMxH pin will be at logic level 0 (active level) when a Fault occurs.
- 4:** If (PWMLOCK = 0), these bits are writable only after the proper sequence is written to the PWMKEY register. If (PWMLOCK = 1), these bits are writable at all times. The user application must write two consecutive values of (0xABCD and 0x4321) to the PWMKEY register to perform the unlock operation for the IOCONx register if PWMLOCK = 1. Write access to a IOCONx register must be the next SFR access following the unlock process. There can be no other SFR accesses during the unlock process and subsequent write access. This is not an atomic operation, and therefore, any CPU interrupts that occur during or immediately after an unlock sequence may cause the IOCONx SFR write access to fail.

Note: Dead Time Compensation, Current-Limit, and Faults share common inputs on the FLT_x inputs ('x' = 1-8, and 15). Therefore, it is not recommended that a user application assign these multiple functions on the same Fault FLT_x pin. In addition, DTCMP functions are fixed to specific FLT_x inputs, where Current-Limit, (CLSRC<3:0> bits) and Faults (FLTSRC<3:0> bits) can be assigned to any one of 15 unique and separate inputs. For example, if a user application was required to assign multiple simultaneous Fault, Current-Limit, DTCMP to a single PWM1. Refer to the following examples for both desirable and undesirable practices.

Desirable Example PWM1: (DTCMP1 = FLT3 pin, Current Limit = FLT7 pin, Fault = FLT8 pin)

```
PWMCON1bits.DTC = 0b11;           //Enable DTCMP1 input on FLT3 function pin
IOCON1bits.CLMOD = 1;             //Enable PWM1 Current-Limit mode
IOCON1bits.CLSRC = 0b01110;      //Enable current limit for PWM1 on FLT7 pin
IOCON1bits.FLTMOD = 1;           //Enable PWM1 Fault mode
IOCON1bits.FLTSRC = 0b0111;     //Enable Fault for PWM1 on FLT8 pin
```

Undesirable Example: PWM1: (DTCMP1 = Current Limit = Fault = FLT3 pin)

```
PWMCON1bits.DTC = 0b11;           //Enable DTCMP1 input on FLT3 function pin
IOCON1bits.CLMOD = 1;             //Enable PWM1 Current-Limit mode
IOCON1bits.CLSRC = 0b0010;      //Enable current limit for PWM1 on FLT3 pin
IOCON1bits.FLTMOD = 1;           //Enable PWM1 Fault mode
IOCON1bits.FLTSRC = 0b0010;     //Enable Fault for PWM1 on FLT3 pin
```

REGISTER 28-12: IOCONx: PWMX I/O CONTROL REGISTER 'x' ('x' = 1 THROUGH 4) (CONTINUED)

bit 22-19 **FLTSRC<3:0>**: Fault Control Signal Source Select bits for PWM Generator 'x'^(2,4)

These bits specify the Fault control source.

1111 = FLT15
 1110 = Reserved
 1101 = Reserved
 1100 = Comparator 5
 1011 = Comparator 4
 1010 = Comparator 3
 1001 = Comparator 2
 1000 = Comparator 1
 0111 = FLT8
 0110 = FLT7
 0101 = FLT6
 0100 = FLT5
 0011 = FLT4
 0010 = FLT3
 0001 = FLT2
 0000 = FLT1

bit 18 **FLTPOL**: Fault Polarity bits for PWM Generator 'x'⁽²⁾

1 = The selected fault source is active-low
 0 = The selected fault source is active-high

- Note 1:** During PWM initialization, if the PWMLOCK fuse bit is 'enabled' (logic '0'), the control on the state of the PWMxL/PWMxH output pins rests solely with the PENH and PENL bits. However, these bits are at '0', which leaves the pin control with the I/O module. Care must be taken to not inadvertently set the TRIS bits to output, which could impose an incorrect output on the PWMxH/PWMxL pins even if there are external pull-up and pull-down resistors. The data direction for the pins must be set to input if tri-state behavior is desired or be driven to the appropriate logic states. The PENH and PENL bits must always be initialized prior to enabling the MCPWM module (PTEN bit = 1).
- 2:** These bits must not be changed after the MCPWM module is enabled (PTEN bit = 1).
- 3:** State represents Active/Inactive state of the PWM, depending on the POLH and POLL bits. For example, if FLTDAT<1> is set to '1' and POLH is set to '1', the PWMxH pin will be at logic level 0 (active level) when a Fault occurs.
- 4:** If (PWMLOCK = 0), these bits are writable only after the proper sequence is written to the PWMKEY register. If (PWMLOCK = 1), these bits are writable at all times. The user application must write two consecutive values of (0xABCD and 0x4321) to the PWMKEY register to perform the unlock operation for the IOCONx register if PWMLOCK = 1. Write access to a IOCONx register must be the next SFR access following the unlock process. There can be no other SFR accesses during the unlock process and subsequent write access. This is not an atomic operation, and therefore, any CPU interrupts that occur during or immediately after an unlock sequence may cause the IOCONx SFR write access to fail.

Note: Dead Time Compensation, Current-Limit, and Faults share common inputs on the FLT_x inputs ('x' = 1-8, and 15). Therefore, it is not recommended that a user application assign these multiple functions on the same Fault FLT_x pin. In addition, DTCMP functions are fixed to specific FLT_x inputs, where Current-Limit, (CLSRC<3:0> bits) and Faults (FLTSRC<3:0> bits) can be assigned to any one of 15 unique and separate inputs. For example, if a user application was required to assign multiple simultaneous Fault, Current-Limit, DTCMP to a single PWM1. Refer to the following examples for both desirable and undesirable practices.

Desirable Example PWM1: (DTCMP1 = FLT3 pin, Current Limit = FLT7 pin, Fault = FLT8 pin)

```
PWMCON1bits.DTC = 0b11; //Enable DTCMP1 input on FLT3 function pin
IOCON1bits.CLMOD = 1; //Enable PWM1 Current-Limit mode
IOCON1bits.CLSRC = 0b0110; //Enable current limit for PWM1 on FLT7 pin
IOCON1bits.FLTMOD = 1; //Enable PWM1 Fault mode
IOCON1bits.FLTSRC = 0b0111; //Enable Fault for PWM1 on FLT8 pin
```

Undesirable Example: PWM1: (DTCMP1 = Current Limit = Fault = FLT3 pin)

```
PWMCON1bits.DTC = 0b11; //Enable DTCMP1 input on FLT3 function pin
IOCON1bits.CLMOD = 1; //Enable PWM1 Current-Limit mode
IOCON1bits.CLSRC = 0b0010; //Enable current limit for PWM1 on FLT3 pin
IOCON1bits.FLTMOD = 1; //Enable PWM1 Fault mode
IOCON1bits.FLTSRC = 0b0010; //Enable Fault for PWM1 on FLT3 pin
```

PIC32MK MCA Family

REGISTER 28-12: IOCONx: PWMX I/O CONTROL REGISTER 'x' ('x' = 1 THROUGH 4) (CONTINUED)

- bit 17-16 **FLTMOD<1:0>**: Fault Mode bits for PWM Generator 'x'⁽⁴⁾
- 11 = Fault input is disabled, no fault overrides possible. (fault interrupts can still be generated)
 - 10 = Reserved
 - 01 = Selected fault source forces PWMxH, PWMxL pins to FLTDAT<1:0> values (cycle by cycle)
 - 00 = Selected fault source forces PWMxH, PWMxL pins to FLTDAT<1:0> values (Latched condition)
- Changes take effect on the next PWM cycle boundary following PWM being enabled, and subsequently on each PWM cycle boundary. When updating FLTMOD<1:0> from '00' or '01' to '11' (disabled), if the fault input is still active the fault override condition will not be removed. If enabled, Faults will override the CLMOD bit setting.
- bit 15 **PENH**: PWMxH Output Pin Ownership bit⁽¹⁾
- 1 = PWM module controls PWMxH pin
 - 0 = GPIO module controls PWMxH pin
- bit 14 **PENL**: PWMxL Output Pin Ownership bit⁽¹⁾
- 1 = PWM module controls PWMxL pin
 - 0 = GPIO module controls PWMxL pin
- bit 13 **POLH**: PWMxH Output Pin Polarity bit⁽²⁾
- 1 = PWMxH pin is active-low
 - 0 = PWMxH pin is active-high

Note 1: During PWM initialization, if the PWMLOCK fuse bit is 'enabled' (logic '0'), the control on the state of the PWMxL/PWMxH output pins rests solely with the PENH and PENL bits. However, these bits are at '0', which leaves the pin control with the I/O module. Care must be taken to not inadvertently set the TRIS bits to output, which could impose an incorrect output on the PWMxH/PWMxL pins even if there are external pull-up and pull-down resistors. The data direction for the pins must be set to input if tri-state behavior is desired or be driven to the appropriate logic states. The PENH and PENL bits must always be initialized prior to enabling the MCPWM module (PTEN bit = 1).

2: These bits must not be changed after the MCPWM module is enabled (PTEN bit = 1).

3: State represents Active/Inactive state of the PWM, depending on the POLH and POLL bits. For example, if FLTDAT<1> is set to '1' and POLH is set to '1', the PWMxH pin will be at logic level 0 (active level) when a Fault occurs.

4: If (PWMLOCK = 0), these bits are writable only after the proper sequence is written to the PWMKEY register. If (PWMLOCK = 1), these bits are writable at all times. The user application must write two consecutive values of (0xABCD and 0x4321) to the PWMKEY register to perform the unlock operation for the IOCONx register if PWMLOCK = 1. Write access to a IOCONx register must be the next SFR access following the unlock process. There can be no other SFR accesses during the unlock process and subsequent write access. This is not an atomic operation, and therefore, any CPU interrupts that occur during or immediately after an unlock sequence may cause the IOCONx SFR write access to fail.

Note: Dead Time Compensation, Current-Limit, and Faults share common inputs on the FLT_x inputs ('x' = 1-8, and 15). Therefore, it is not recommended that a user application assign these multiple functions on the same Fault FLT_x pin. In addition, DTCMP functions are fixed to specific FLT_x inputs, where Current-Limit, (CLSRC<3:0> bits) and Faults (FLTSRC<3:0> bits) can be assigned to any one of 15 unique and separate inputs. For example, if a user application was required to assign multiple simultaneous Fault, Current-Limit, DTCMP to a single PWM1. Refer to the following examples for both desirable and undesirable practices.

Desirable Example PWM1: (DTCMP1 = FLT3 pin, Current Limit = FLT7 pin, Fault = FLT8 pin)

```
PWMCON1bits.DTC = 0b11;           //Enable DTCMP1 input on FLT3 function pin
IOCON1bits.CLMOD = 1;             //Enable PWM1 Current-Limit mode
IOCON1bits.CLSRC = 0b01110;      //Enable current limit for PWM1 on FLT7 pin
IOCON1bits.FLTMOD = 1;           //Enable PWM1 Fault mode
IOCON1bits.FLTSRC = 0b0111;     //Enable Fault for PWM1 on FLT8 pin
```

Undesirable Example: PWM1: (DTCMP1 = Current Limit = Fault = FLT3 pin)

```
PWMCON1bits.DTC = 0b11;           //Enable DTCMP1 input on FLT3 function pin
IOCON1bits.CLMOD = 1;             //Enable PWM1 Current-Limit mode
IOCON1bits.CLSRC = 0b0010;      //Enable current limit for PWM1 on FLT3 pin
IOCON1bits.FLTMOD = 1;           //Enable PWM1 Fault mode
IOCON1bits.FLTSRC = 0b0010;     //Enable Fault for PWM1 on FLT3 pin
```


REGISTER 28-12: IOCONx: PWMX I/O CONTROL REGISTER 'x' ('x' = 1 THROUGH 4) (CONTINUED)

bit 12	POLL: PWMxL Output Pin Polarity bit ⁽²⁾ 1 = PWMxL pin is active-low 0 = PWMxL pin is active-high
bit 11-10	PMOD<1:0>: PWM 'x' I/O Pin Mode bits ⁽²⁾ 11 = PWMxL output is held at logic '0' (adjusted by the POLL bit) 10 = PWM I/O pin pair is in Push-Pull Output mode 01 = PWM I/O pin pair is in Redundant Output mode 00 = PWM I/O pin pair is in Complementary Output mode
bit 9	OVRENH: Override Enable for PWMxH Pin bit 1 = OVRDAT<1> provides data for output on PWMxH pin 0 = PWM generator provides data for PWMxH pin
bit 8	OVRENL: Override Enable for PWMxL Pin bit 1 = OVRDAT<0> provides data for output on PWMxL pin 0 = PWM generator provides data for PWMxL pin
bit 7-6	OVRDAT<1:0>: State ⁽³⁾ for PWMxH, PWMxL Pins if Override is Enabled bits If OVRENH = 1, OVRDAT<1> provides data for PWMxH If OVRENL = 1, OVRDAT<0> provides data for PWMxL

- Note 1:** During PWM initialization, if the PWMLOCK fuse bit is 'enabled' (logic '0'), the control on the state of the PWMxL/PWMxH output pins rests solely with the PENH and PENL bits. However, these bits are at '0', which leaves the pin control with the I/O module. Care must be taken to not inadvertently set the TRIS bits to output, which could impose an incorrect output on the PWMxH/PWMxL pins even if there are external pull-up and pull-down resistors. The data direction for the pins must be set to input if tri-state behavior is desired or be driven to the appropriate logic states. The PENH and PENL bits must always be initialized prior to enabling the MCPWM module (PTEN bit = 1).
- 2:** These bits must not be changed after the MCPWM module is enabled (PTEN bit = 1).
- 3:** State represents Active/Inactive state of the PWM, depending on the POLH and POLL bits. For example, if FLTDAT<1> is set to '1' and POLH is set to '1', the PWMxH pin will be at logic level 0 (active level) when a Fault occurs.
- 4:** If (PWMLOCK = 0), these bits are writable only after the proper sequence is written to the PWMKEY register. If (PWMLOCK = 1), these bits are writable at all times. The user application must write two consecutive values of (0xABCD and 0x4321) to the PWMKEY register to perform the unlock operation for the IOCONx register if PWMLOCK = 1. Write access to a IOCONx register must be the next SFR access following the unlock process. There can be no other SFR accesses during the unlock process and subsequent write access. This is not an atomic operation, and therefore, any CPU interrupts that occur during or immediately after an unlock sequence may cause the IOCONx SFR write access to fail.

Note: Dead Time Compensation, Current-Limit, and Faults share common inputs on the FLT_x inputs ('x' = 1-8, and 15). Therefore, it is not recommended that a user application assign these multiple functions on the same Fault FLT_x pin. In addition, DTCMP functions are fixed to specific FLT_x inputs, where Current-Limit, (CLSRC<3:0> bits) and Faults (FLTSRC<3:0> bits) can be assigned to any one of 15 unique and separate inputs. For example, if a user application was required to assign multiple simultaneous Fault, Current-Limit, DTCMP to a single PWM1. Refer to the following examples for both desirable and undesirable practices.

Desirable Example PWM1: (DTCMP1 = FLT3 pin, Current Limit = FLT7 pin, Fault = FLT8 pin)

```
PWMCON1bits.DTC = 0b11; //Enable DTCMP1 input on FLT3 function pin
IOCON1bits.CLMOD = 1; //Enable PWM1 Current-Limit mode
IOCON1bits.CLSRC = 0b0110; //Enable current limit for PWM1 on FLT7 pin
IOCON1bits.FLTMOD = 1; //Enable PWM1 Fault mode
IOCON1bits.FLTSRC = 0b0111; //Enable Fault for PWM1 on FLT8 pin
```

Undesirable Example: PWM1: (DTCMP1 = Current Limit = Fault = FLT3 pin)

```
PWMCON1bits.DTC = 0b11; //Enable DTCMP1 input on FLT3 function pin
IOCON1bits.CLMOD = 1; //Enable PWM1 Current-Limit mode
IOCON1bits.CLSRC = 0b0010; //Enable current limit for PWM1 on FLT3 pin
IOCON1bits.FLTMOD = 1; //Enable PWM1 Fault mode
IOCON1bits.FLTSRC = 0b0010; //Enable Fault for PWM1 on FLT3 pin
```

PIC32MK MCA Family

REGISTER 28-12: IOCONx: PWMX I/O CONTROL REGISTER 'x' ('x' = 1 THROUGH 4) (CONTINUED)

- bit 5-4 **FLTDAT<1:0>**: State⁽³⁾ for PWMxH and PWMxL Pins if FLTMOD is Enabled bits⁽²⁾
If FLTMOD<1:0> (IOCONx<17:16>) = 00 or 01, one of the following Fault modes is enabled:
If fault is active, FLTDAT<1> provides the state for PWMxH
If fault is active, FLTDAT<0> provides the state for PWMxL
If fault is inactive, FLTDAT<1:0> bits are ignored
- bit 3-2 **CLDAT<1:0>**: State for PWMxH and PWMxL Pins if CLMOD is Enabled bits⁽³⁾
If CLMOD (IOCONx<24>) = 1, Current-Limit mode is enabled, as follows:
If current limit is active, CLTDAT<1> provides the state for PWMxH
If current limit is active, CLTDAT<0> provides the state for PWMxL
If current limit is inactive, CLTDAT<1:0> bits are ignored
- bit 1 **SWAP**: SWAP PWMxH and PWMxL Pins bit
1 = PWMxH output signal is connected to PWMxL pin; PWMxL output signal is connected to PWMxH pin
0 = PWMxH and PWMxL output signals pins are mapped to their respective pins
- bit 0 **OSYNC**: Output Override Synchronization bit
1 = Output overrides through the OVRDAT<1:0> bits are synchronized to the PWM time base
0 = Output overrides through the OVRDAT<1:0> bits occur on next CPU clock boundary

- Note 1:** During PWM initialization, if the PWMLOCK fuse bit is 'enabled' (logic '0'), the control on the state of the PWMxL/PWMxH output pins rests solely with the PENH and PENL bits. However, these bits are at '0', which leaves the pin control with the I/O module. Care must be taken to not inadvertently set the TRIS bits to output, which could impose an incorrect output on the PWMxH/PWMxL pins even if there are external pull-up and pull-down resistors. The data direction for the pins must be set to input if tri-state behavior is desired or be driven to the appropriate logic states. The PENH and PENL bits must always be initialized prior to enabling the MCPWM module (PTEN bit = 1).
- 2: These bits must not be changed after the MCPWM module is enabled (PTEN bit = 1).
 - 3: State represents Active/Inactive state of the PWM, depending on the POLH and POLL bits. For example, if FLTDAT<1> is set to '1' and POLH is set to '1', the PWMxH pin will be at logic level 0 (active level) when a Fault occurs.
 - 4: If (PWMLOCK = 0), these bits are writable only after the proper sequence is written to the PWMKEY register. If (PWMLOCK = 1), these bits are writable at all times. The user application must write two consecutive values of (0xABCD and 0x4321) to the PWMKEY register to perform the unlock operation for the IOCONx register if PWMLOCK = 1. Write access to a IOCONx register must be the next SFR access following the unlock process. There can be no other SFR accesses during the unlock process and subsequent write access. This is not an atomic operation, and therefore, any CPU interrupts that occur during or immediately after an unlock sequence may cause the IOCONx SFR write access to fail.

Note: Dead Time Compensation, Current-Limit, and Faults share common inputs on the FLTx inputs ('x' = 1-8, and 15). Therefore, it is not recommended that a user application assign these multiple functions on the same Fault FLTx pin. In addition, DTCMP functions are fixed to specific FLTx inputs, where Current-Limit, (CLSRC<3:0> bits) and Faults (FLTSRC<3:0> bits) can be assigned to any one of 15 unique and separate inputs. For example, if a user application was required to assign multiple simultaneous Fault, Current-Limit, DTCMP to a single PWM1. Refer to the following examples for both desirable and undesirable practices.

Desirable Example PWM1: (DTCMP1 = FLT3 pin, Current Limit = FLT7 pin, Fault = FLT8 pin)

```
PWMCON1bits.DTC = 0b11;           //Enable DTCMP1 input on FLT3 function pin
IOCON1bits.CLMOD = 1;             //Enable PWM1 Current-Limit mode
IOCON1bits.CLSRC = 0b0110;       //Enable current limit for PWM1 on FLT7 pin
IOCON1bits.FLTMOD = 1;           //Enable PWM1 Fault mode
IOCON1bits.FLTSRC = 0b0111;     //Enable Fault for PWM1 on FLT8 pin
```

Undesirable Example: PWM1: (DTCMP1 = Current Limit = Fault = FLT3 pin)

```
PWMCON1bits.DTC = 0b11;           //Enable DTCMP1 input on FLT3 function pin
IOCON1bits.CLMOD = 1;             //Enable PWM1 Current-Limit mode
IOCON1bits.CLSRC = 0b0010;       //Enable current limit for PWM1 on FLT3 pin
IOCON1bits.FLTMOD = 1;           //Enable PWM1 Fault mode
IOCON1bits.FLTSRC = 0b0010;     //Enable Fault for PWM1 on FLT3 pin
```

PIC32MK MCA Family

REGISTER 28-13: PDCx: PWM GENERATOR DUTY CYCLE REGISTER 'x' ('x' = 1 THROUGH 4)

Bit Range	Bit 31/23/15/7	Bit 30/22/14/6	Bit 29/21/13/5	Bit 28/20/12/4	Bit 27/19/11/3	Bit 26/18/10/2	Bit 25/17/9/1	Bit 24/16/8/0
31:24	U-0	U-0	U-0	U-0	U-0	U-0	U-0	U-0
	—	—	—	—	—	—	—	—
23:16	U-0	U-0	U-0	U-0	U-0	U-0	U-0	U-0
	—	—	—	—	—	—	—	—
15:8	R/W-0	R/W-0	R/W-0	R/W-0	R/W-0	R/W-0	R/W-0	R/W-0
	PDC<15:8>							
7:0	R/W-0	R/W-0	R/W-0	R/W-0	R/W-0	R/W-0	R/W-0	R/W-0
	PDC<7:0>							

Legend:

R = Readable bit
-n = Value at POR

W = Writable bit
'1' = Bit is set

U = Unimplemented bit, read as '0'
'0' = Bit is cleared
x = Bit is unknown

bit 31-16 **Unimplemented:** Read as '0'

bit 15-0 **PDC<15:0>:** Primary PWM Generator 'x' Duty Cycle Value bits⁽²⁾

If Edge-Aligned mode is enabled (ECAM<1:0> bits (PWMCONx<11:10>) = 00), these bits specify the trailing edge instance of the ON time and controls the duty cycle directly (PWM Resolution = (1/FSYCLK)).

If one of the Center-Aligned mode is enabled (ECAM<1:0> (PWMCONx<11:10>) = 01, 10, or 11), these bits specify the compare instance for 'leading edge' level transition (PWM Resolution = (2/FSYCLK)).

Note 1: In Independent PWM mode, PMOD<1:0> (IOCONx<11:10>) = 11, the PDCx register controls the PWMxH duty cycle only. In Complementary, Redundant and Push-Pull PWM modes (PMOD<1:0> = 00, 01, or 10), the PDCx register controls the duty cycle of both the PWMxH and PWMxL.

2: $PDCx = ((FSYSCLK / (F_{PWM} * PTCN<PCLKDIV>)) * \text{Desired Duty Cycle})$
 F_{PWM} = User Desired PWM Frequency

PIC32MK MCA Family

REGISTER 28-14: SDCx: PWM SECONDARY DUTY CYCLE REGISTER 'x' ('x' = 1 THROUGH 4)

Bit Range	Bit 31/23/15/7	Bit 30/22/14/6	Bit 29/21/13/5	Bit 28/20/12/4	Bit 27/19/11/3	Bit 26/18/10/2	Bit 25/17/9/1	Bit 24/16/8/0
31:24	U-0	U-0	U-0	U-0	U-0	U-0	U-0	U-0
	—	—	—	—	—	—	—	—
23:16	U-0	U-0	U-0	U-0	U-0	U-0	U-0	U-0
	—	—	—	—	—	—	—	—
15:8	R/W-0	R/W-0	R/W-0	R/W-0	R/W-0	R/W-0	R/W-0	R/W-0
	SDC<15:8>							
7:0	R/W-0	R/W-0	R/W-0	R/W-0	R/W-0	R/W-0	R/W-0	R/W-0
	SDC<7:0>							

Legend:

R = Readable bit

W = Writable bit

U = Unimplemented bit, read as '0'

-n = Value at POR

'1' = Bit is set

'0' = Bit is cleared

x = Bit is unknown

bit 31-16 **Unimplemented:** Read as '0'

bit 15-0 **SDC<15:0>:** Secondary Duty Cycle bits for PWMx output pin

If Edge-Aligned mode is enabled (ECAM<1:0> (PWMCONx<11:10>) = 00), these bits are unused.

If Symmetric Center-Aligned mode is enabled (ECAM<1:0> (PWMCONx<11:10>) = 01), these bits are updated transparently to the user. Loads to the PDCx register automatically copy over to the SDCx register.

If Asymmetric Center-Aligned mode is enabled (ECAM<1:0> (PWMCONx<11:10>) = 10 or 11), these bits specify the compare instance for 'trailing edge' level transition (PWM Resolution = (2/FSYCLK)).

PIC32MK MCA Family

REGISTER 28-16: DTRx: PWM DEAD TIME REGISTER 'x' ('x' = 1 THROUGH 4)

Bit Range	Bit 31/23/15/7	Bit 30/22/14/6	Bit 29/21/13/5	Bit 28/20/12/4	Bit 27/19/11/3	Bit 26/18/10/2	Bit 25/17/9/1	Bit 24/16/8/0
31:24	U-0	U-0	U-0	U-0	U-0	U-0	U-0	U-0
	—	—	—	—	—	—	—	—
23:16	U-0	U-0	U-0	U-0	U-0	U-0	U-0	U-0
	—	—	—	—	—	—	—	—
15:8	U-0	U-0	R/W-0	R/W-0	R/W-0	R/W-0	R/W-0	R/W-0
	—	—	DTR<13:8>					
7:0	R/W-0	R/W-0	R/W-0	R/W-0	R/W-0	R/W-0	R/W-0	R/W-0
	DTR<7:0>							

Legend:

R = Readable bit

W = Writable bit

U = Unimplemented bit, read as '0'

-n = Value at POR

'1' = Bit is set

'0' = Bit is cleared

x = Bit is unknown

bit 31-16 **Unimplemented:** Read as '0'

bit 15-0 **DTR<13:0>:** Unsigned 14-bit Dead Time Value for PWMxH Dead Time Unit bits

These bits specify the leading edge dead time count between the PWMxH and PWMxL. The time base for the count is the same as for the PWM generator.

The dead time period is typically set equal to the switching times of the power transistors in the application circuits. It is specifically intended for use in Complementary Output mode. The use of dead time in any other mode may generate unexpected or unpredictable results. If the duty cycle value in the DC register equals '0', or is greater than or equal to the Period, dead time compensation is ignored. The values for Duty Cycle + Dead Time + Dead Time Compensation must not exceed the value for the Period register minus 1. If the sum exceeds the Period Register minus 1, unexpected results may occur. The values for Duty Cycle + Dead Time - Dead Time Compensation must be greater than '0', or unexpected results may occur.

Note: DTR<13:0> and ALTDTR<13:0> must be ≥ 6 while using Leading Edge Blanking.

PIC32MK MCA Family

REGISTER 28-17: ALTDTR_x: PWM ALTERNATE DEAD TIME REGISTER 'x' ('x' = 1 THROUGH 4)

Bit Range	Bit 31/23/15/7	Bit 30/22/14/6	Bit 29/21/13/5	Bit 28/20/12/4	Bit 27/19/11/3	Bit 26/18/10/2	Bit 25/17/9/1	Bit 24/16/8/0
31:24	U-0	U-0	U-0	U-0	U-0	U-0	U-0	U-0
	—	—	—	—	—	—	—	—
23:16	U-0	U-0	U-0	U-0	U-0	U-0	U-0	U-0
	—	—	—	—	—	—	—	—
15:8	U-0	U-0	R/W-0	R/W-0	R/W-0	R/W-0	R/W-0	R/W-0
	—	—	ALTDTR<13:8>					
7:0	R/W-0	R/W-0	R/W-0	R/W-0	R/W-0	R/W-0	R/W-0	R/W-0
	ALTDTR<7:0>							

Legend:

R = Readable bit
-n = Value at POR

W = Writable bit
'1' = Bit is set

U = Unimplemented bit, read as '0'
'0' = Bit is cleared
x = Bit is unknown

bit 31-16 **Unimplemented:** Read as '0'

bit 15-0 **ALTDTR<13:0>:** Unsigned 14-bit Dead Time Value for PWM_xL Dead Time Unit bits

These bits specify the trailing edge dead time count between the PWM_xH and PWM_xL. The time base for the count is the same as for the PWM generator.

The alternate dead time period is typically set equal to the switching times of the power transistors in the application circuits. It is specifically intended for use in Complementary Output mode. The use of dead time in any other mode may generate unexpected or unpredictable results. If the duty cycle value in the DC register equals '0', or is greater than or equal to the Period, alternate dead time compensation is ignored. The values for Duty Cycle + Dead Time + ALT Dead Time Compensation must not exceed the value for the Period Register minus 1. If the sum exceeds the Period Register -minus1, unexpected results may occur. The values for Duty Cycle + Dead Time minus Alternate Dead Time Compensation must be greater than '0', or unexpected results may occur.

Note: DTR<13:0> and ALTDTR<13:0> must be ≥ 6 while using Leading Edge Blanking.

PIC32MK MCA Family

REGISTER 28-19: TRIG_x: PWM PRIMARY TRIGGER COMPARE VALUE REGISTER 'x' ('x' = 1 THROUGH 4)

Bit Range	Bit 31/23/15/7	Bit 30/22/14/6	Bit 29/21/13/5	Bit 28/20/12/4	Bit 27/19/11/3	Bit 26/18/10/2	Bit 25/17/9/1	Bit 24/16/8/0
31:24	U-0	U-0	U-0	U-0	U-0	U-0	U-0	U-0
	—	—	—	—	—	—	—	—
23:16	U-0	U-0	U-0	U-0	U-0	U-0	U-0	U-0
	—	—	—	—	—	—	—	—
15:8	R/W-0	R/W-0	R/W-0	R/W-0	R/W-0	R/W-0	R/W-0	R/W-0
	TRGCMP<15:8>							
7:0	R/W-0	R/W-0	R/W-0	R/W-0	R/W-0	R/W-0	R/W-0	R/W-0
	TRGCMP<7:0>							

Legend:

R = Readable bit
-n = Value at POR

W = Writable bit
'1' = Bit is set

U = Unimplemented bit, read as '0'
'0' = Bit is cleared
x = Bit is unknown

bit 31-16 **Unimplemented:** Read as '0'

bit 15-0 **TRGCMP<15:0>:** Trigger Compare Value bits

These bits specify the value to match against the local time base register PTMR to generate a trigger to the ADC module and an interrupt if the TRGIEN bit (PWMCONx<21>) is set.

Note: To trigger at the period boundary, set TRIG_x to 0x0 and not the PTPER period value.

PIC32MK MCA Family

REGISTER 28-20: TRGCONx: PWM TRIGGER CONTROL REGISTER 'x' ('x' = 1 THROUGH 4)

Bit Range	Bit 31/23/15/7	Bit 30/22/14/6	Bit 29/21/13/5	Bit 28/20/12/4	Bit 27/19/11/3	Bit 26/18/10/2	Bit 25/17/9/1	Bit 24/16/8/0
31:24	U-0	U-0	U-0	U-0	U-0	U-0	U-0	U-0
	—	—	—	—	—	—	—	—
23:16	U-0	U-0	U-0	U-0	U-0	U-0	U-0	U-0
	—	—	—	—	—	—	—	—
15:8	R/W-0	R/W-0	R/W-0	R/W-0	R/W-0	R/W-0	R/W-0	R/W-0
	TRGDIV<3:0>				TRGSEL<1:0> ⁽¹⁾		STRGSEL<1:0> ⁽¹⁾	
7:0	R/W-0	R/W-0	U-0	U-0	U-0	U-0	U-0	U-0
	DTM ^(1,2)	STRGIS ⁽¹⁾	—	—	—	—	—	—

Legend:

R = Readable bit
-n = Value at POR

W = Writable bit
'1' = Bit is set

U = Unimplemented bit, read as '0'
'0' = Bit is cleared
x = Bit is unknown

bit 31-16 **Unimplemented:** Read as '0'

bit 15-12 **TRGDIV<3:0>**: Trigger 'x' Output Divider bits
 1111 = Trigger output for every sixteenth trigger event
 •
 •
 •
 0010 = Trigger output for every third trigger event
 0001 = Trigger output for every second trigger event
 0000 = Trigger output for every trigger event

bit 11-10 **TRGSEL<1:0>**: Trigger Cycle Selection for Dual Cycle PWM Cycles (Center-Aligned and Push-Pull)⁽¹⁾
 This bit field has no effect on the raw trigger generation for single cycle PWM modes such as edge-aligned PWM. Each time a raw comparison event occurs, the raw event is processed by the trigger divider.
 11 = Reserved, default to same behavior as TRGSEL<1:0> = 00.
 10 = When a trigger comparison match event occurs in the incrementing phase in the dual cycle PWM mode (PTDIR = 0), a trigger event output is generated if the trigger divider has counted the appropriate number of trigger events.
 01 = When a trigger comparison match event occurs in the decrementing phase in the dual cycle PWM mode (PTDIR = 1), a trigger event output is generated if the trigger divider has counted the appropriate number of trigger events.
 00 = When a trigger comparison match event occurs, generate a trigger event output if the trigger divider has counted the appropriate number of raw trigger events. For dual cycle PWM modes such as Center-Aligned mode and Push-Pull mode, the raw trigger event is generated twice every cycle. However, TRIGx/STRIGx compare values of '0' or equal to the PERIOD match register will only generate one interrupt even in the dual cycle modes.

- Note 1:** These bits must not be changed after the MCPWM module is enabled (PTEN bit (PTCON<15>) = 1).
Note 2: The secondary trigger event is generated regardless of the setting of the DTM bit.

REGISTER 28-20: TRGCONx: PWM TRIGGER CONTROL REGISTER 'x' ('x' = 1 THROUGH 4)

- bit 9-8 **STRGSEL<1:0>**: Secondary Trigger Cycle Selection bits for Dual Cycle PWM Cycles (Center-Aligned and Push-Pull)⁽¹⁾
- These bits have no effect on the raw secondary PWM trigger generation for single cycle PWM modes such as edge aligned PWM. Each time a raw comparison event occurs, the raw event is processed by the secondary PWM trigger divider.
- 11 = Reserved, default to same behavior as STRGSEL<1:0> = 00
 - 10 = When a secondary PWM trigger comparison match event occurs in the second half of a dual cycle PWM mode (PTDIR = 0), generate a secondary PWM trigger event output if the secondary PWM trigger divider has counted the appropriate number of secondary PWM trigger events.
 - 01 = When a secondary PWM trigger comparison match event occurs in the first half of a dual cycle PWM mode (PTDIR = 1), generate a trigger event output if the secondary PWM trigger divider has counted the appropriate number of secondary PWM trigger events.
 - 00 = When a secondary PWM trigger comparison match event occurs, generate a secondary PWM trigger event output if the trigger divider has counted the appropriate number of raw secondary PWM trigger events. For two cycle PWM modes such as Center-Aligned mode and Push-Pull mode, the raw secondary PWM trigger event is generated twice.
- bit 7 **DTM**: Dual ADC Trigger Mode^(1, 2)
- 1 = Secondary trigger event is combined with the primary trigger event for purposes of creating a combined ADC trigger
 - 0 = Secondary trigger event is not combined with the primary trigger event for purposes of creating a combined ADC trigger
- bit 6 **STRGIS**: Secondary Trigger Interrupt Select⁽¹⁾
- This bit should be changed by the user only when PTEN = 0.
- 1 = Selects the Secondary Trigger Register (STRIGx) based events for interrupts
 - 0 = When the DTM bit (TRGCONx<7>) is clear (= 0), TRIGx-based events for interrupts are selected. When the DTM bit is set (= 1), the logical OR of both STRIGx and TRIGx based triggers for interrupts are selected.
- bit 5-0 **Unimplemented**: Read as '0'

- Note 1:** These bits must not be changed after the MCPWM module is enabled (PTEN bit (PTCON<15>) = 1).
- Note 2:** The secondary trigger event is generated regardless of the setting of the DTM bit.

PIC32MK MCA Family

**REGISTER 28-23: LEBCONx: LEADING-EDGE BLANKING CONTROL REGISTER 'x'
(‘x’ = 1 THROUGH 4)**

Bit Range	Bit 31/23/15/7	Bit 30/22/14/6	Bit 29/21/13/5	Bit 28/20/12/4	Bit 27/19/11/3	Bit 26/18/10/2	Bit 25/17/9/1	Bit 24/16/8/0
31:24	U-0	U-0	U-0	U-0	U-0	U-0	U-0	U-0
	—	—	—	—	—	—	—	—
23:16	U-0	U-0	U-0	U-0	U-0	U-0	U-0	U-0
	—	—	—	—	—	—	—	—
15:8	R/W-0	R/W-0	R/W-0	R/W-0	R/W-0	R/W-0	U-0	U-0
	PHR	PHF	PLR	PLF	FLTLEBEN	CLLEBEN	—	—
7:0	U-0	U-0	U-0	U-0	U-0	U-0	U-0	U-0
	—	—	—	—	—	—	—	—

Legend:

R = Readable bit	W = Writable bit	U = Unimplemented bit, read as ‘0’
-n = Value at POR	‘1’ = Bit is set	‘0’ = Bit is cleared x = Bit is unknown

bit 31-16 **Unimplemented:** Read as ‘0’

bit 15 **PHR:** PWMxH Rising Edge Trigger Enable bit

- 1 = Rising edge of PWMxH will trigger/retrigger the Leading-Edge Blanking counter
- 0 = Rising edge of PWMxH will not trigger/retrigger the Leading-Edge Blanking counter

bit 14 **PHF:** PWMxH Falling Edge Trigger Enable bit

- 1 = Falling edge of PWMxH will trigger/retrigger the Leading-Edge Blanking counter
- 0 = Falling edge of PWMxH will not trigger/retrigger the Leading-Edge Blanking counter

bit 13 **PLR:** PWMxL Rising Edge Trigger Enable bit

- 1 = Rising edge of PWMxL will trigger/retrigger the Leading-Edge Blanking counter
- 0 = Rising edge of PWMxL will not trigger/retrigger the Leading-Edge Blanking counter

bit 12 **PLF:** PWMxL Falling Edge Trigger Enable bit

- 1 = Falling edge of PWMxL will trigger/retrigger the Leading-Edge Blanking counter
- 0 = Falling edge of PWMxL will not trigger/retrigger the Leading-Edge Blanking counter

bit 11 **FLTLEBEN:** Fault Input Leading-Edge Blanking Enable bit

- 1 = Leading-Edge Blanking is applied to selected fault input
- 0 = Leading-Edge Blanking is not applied to selected fault input

bit 10 **CLLEBEN:** Current-Limit Leading-Edge Blanking Enable bit

- 1 = Leading-Edge Blanking is applied to selected current-limit input
- 0 = Leading-Edge Blanking is not applied to selected current-limit input

bit 9-0 **Unimplemented:** Read as ‘0’

Note: DTR<13:0> and ALTDTR<13:0> must be ≥ 6 while using Leading Edge Blanking.

PIC32MK MCA Family

REGISTER 28-24: LEBDLY_x: LEADING-EDGE BLANKING DELAY REGISTER 'x' (‘x’ = 1 THROUGH 4)

Bit Range	Bit 31/23/15/7	Bit 30/22/14/6	Bit 29/21/13/5	Bit 28/20/12/4	Bit 27/19/11/3	Bit 26/18/10/2	Bit 25/17/9/1	Bit 24/16/8/0
31:24	U-0	U-0	U-0	U-0	U-0	U-0	U-0	U-0
	—	—	—	—	—	—	—	—
23:16	U-0	U-0	U-0	U-0	U-0	U-0	U-0	U-0
	—	—	—	—	—	—	—	—
15:8	U-0	U-0	U-0	U-0	R/W-0	R/W-0	R/W-0	R/W-0
	—	—	—	—	LEB<11:8>			
7:0	R/W-0	R/W-0	R/W-0	R/W-0	R/W-0	R/W-0	R/W-0	R/W-0
	LEB<7:0>							

Legend:

R = Readable bit

W = Writable bit

U = Unimplemented bit, read as ‘0’

-n = Value at POR

‘1’ = Bit is set

‘0’ = Bit is cleared

x = Bit is unknown

bit 31-12 **Unimplemented:** Read as ‘0’

bit 11-0 **LEB<11:0>:** Leading-Edge Blanking Delay bits for Current-Limit and Fault Inputs bits

These bits specify the time period for which the selected current limit and fault signals are blanked or delayed following the selected edge transition of the PWM signals. This retriggerable counter has the PWM module clock source (SYSCLK) as the time base.

PIC32MK MCA Family

REGISTER 28-25: AUXCONx: PWM AUXILIARY CONTROL REGISTER 'x' ('x' = 1 THROUGH 4)

Bit Range	Bit 31/23/15/7	Bit 30/22/14/6	Bit 29/21/13/5	Bit 28/20/12/4	Bit 27/19/11/3	Bit 26/18/10/2	Bit 25/17/9/1	Bit 24/16/8/0
31:24	U-0	U-0	U-0	U-0	U-0	U-0	U-0	U-0
	—	—	—	—	—	—	—	—
23:16	U-0	U-0	U-0	U-0	U-0	U-0	U-0	U-0
	—	—	—	—	—	—	—	—
15:8	U-0	U-0	U-0	U-0	U-0	U-0	U-0	U-0
	—	—	—	—	—	—	—	—
7:0	U-0	U-0	R/W-0	R/W-0	R/W-0	R/W-0	R/W-0	R/W-0
	—	—	CHOPSEL<3:0> ⁽¹⁾				CHOPHEN	CHOPLEN

Legend:

R = Readable bit
-n = Value at POR

W = Writable bit
'1' = Bit is set

U = Unimplemented bit, read as '0'
'0' = Bit is cleared
x = Bit is unknown

bit 31-6 **Unimplemented:** Read as '0'

bit 5-2 **CHOPSEL<3:0>:** PWM Chop Clock Source Select bits⁽¹⁾

The selected signal will enable and disable (CHOP) the selected PWM outputs.

1111 = Reserved.

•
•

0110 = Reserved.

0101 = Reserved.

0100 = PWM4H selected as CHOP clock source

0011 = PWM3H selected as CHOP clock source

0010 = PWM2H selected as CHOP clock source

0001 = PWM1H selected as CHOP clock source

0000 = Chop clock generator selected as CHOP clock source

bit 1 **CHOPHEN:** PWMxH Output Chopping Enable bit

1 = PWMxH chopping function is enabled

0 = PWMxH chopping function is disabled

bit 0 **CHOPLEN:** PWMxL Output Chopping Enable bit

1 = PWMxL chopping function is enabled

0 = PWMxL chopping function is disabled

Note 1: This bit should be changed only when the PTEN bit (PTCON<15>) = 0.

PIC32MK MCA Family

REGISTER 28-26: PTMRx: PWM TIMER REGISTER 'x' ('x' = 1 THROUGH 4)

Bit Range	Bit 31/23/15/7	Bit 30/22/14/6	Bit 29/21/13/5	Bit 28/20/12/4	Bit 27/19/11/3	Bit 26/18/10/2	Bit 25/17/9/1	Bit 24/16/8/0
31:24	U-0	U-0	U-0	U-0	U-0	U-0	U-0	U-0
	—	—	—	—	—	—	—	—
23:16	U-0	U-0	U-0	U-0	U-0	U-0	U-0	U-0
	—	—	—	—	—	—	—	—
15:8	R/W-0	R/W-0	R/W-0	R/W-0	R/W-0	R/W-0	R/W-0	R/W-0
	TMR<15:8>							
7:0	R/W-0	R/W-0	R/W-1	R/W-0	R/W-0	R/W-0	R/W-0	R/W-0
	TMR<7:0>							

Legend:

R = Readable bit

W = Writable bit

U = Unimplemented bit, read as '0'

-n = Value at POR

'1' = Bit is set

'0' = Bit is cleared

x = Bit is unknown

bit 31-16 **Unimplemented:** Read as '0'

bit 15-0 **TMR<15:0>:** PWM Timer bits

When the ECAM<1:0> bits (PWMCONx<11:10>) = 00, the counter counts upwards until a period match forces rollover.

When the ECAM<1:0> bits (PWMCONx<11:10>) ≠ 00, the counter counts downwards starting with a master time base synchronization signal to 0 and then counts upwards until the next synchronization.

29.0 HIGH/LOW-VOLTAGE DETECT (HLVD)

Note: This data sheet summarizes the features of the PIC32MK MCA Family of devices. It is not intended to be a comprehensive reference source. To complement the information in this data sheet, refer to **Section 38. “High/Low-Voltage Detect (HLVD)”** (DS60001408), which is available from the *Documentation > Reference Manual* section of the Microchip PIC32 web site (www.microchip.com/pic32).

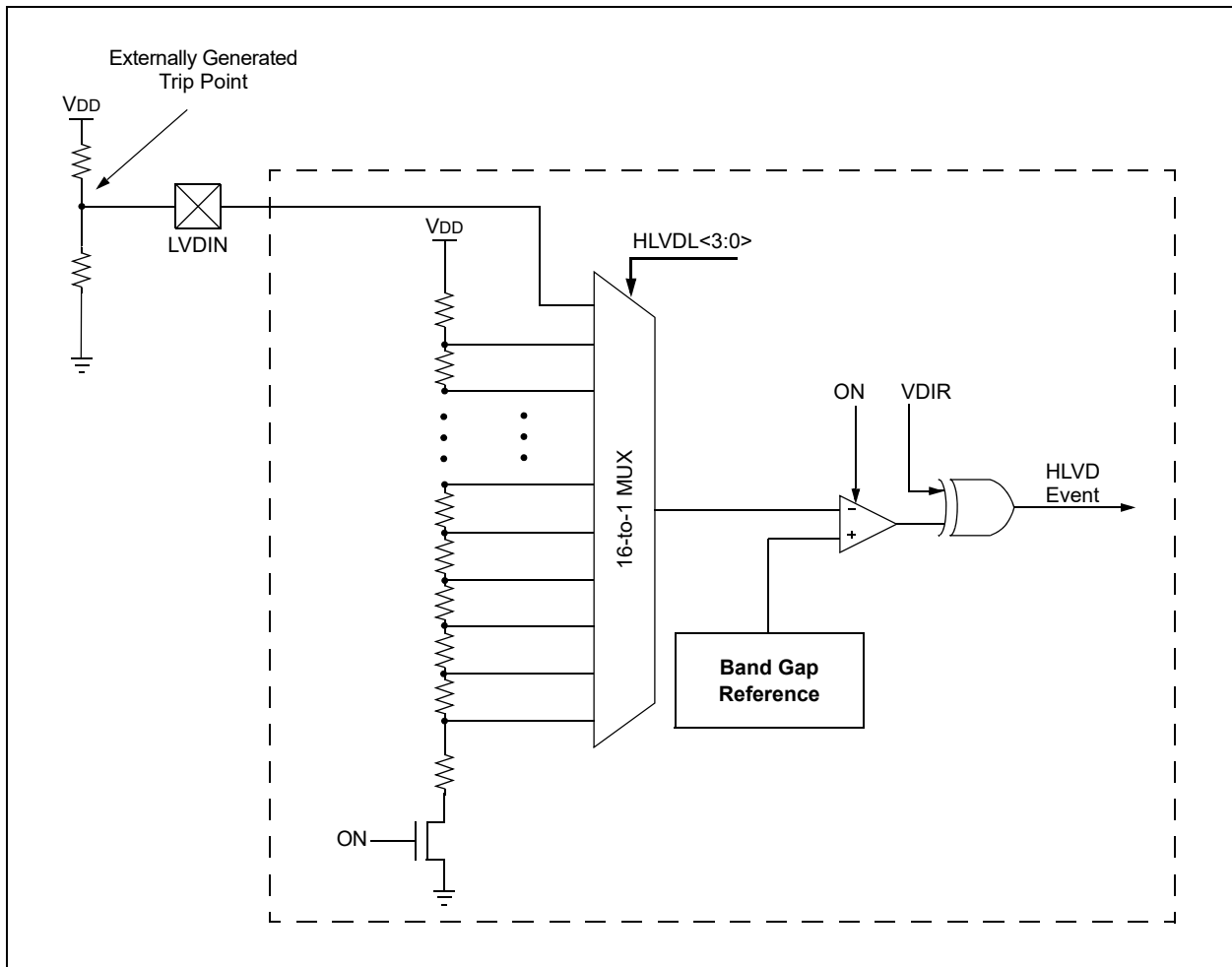
The High/Low-Voltage Detect (HLVD) module is a programmable circuit that can be used to specify both the device voltage trip point and the direction of change. When enabled, a HLVD event will act to disable the Flash controller from executing a programming sequence. This module is used to ensure the supply voltage is sufficient for programming.

The HLVD module is an interrupt-driven supply-level detection. The voltage detection monitors the internal power supply.

The HLVD module provides the following key features:

- Detection hysteresis
- Detection of low-to-high or high-to-low voltage changes
- Generation of Non-Maskable Interrupts (NMI)
- LVDIN pin to provide external voltage trip point

FIGURE 29-1: PROGRAMMABLE HLVD MODULE BLOCK DIAGRAM



29.1 Control Registers

TABLE 29-1: HLVD REGISTER MAP

Virtual Address (BF80_#)	Register Name ⁽¹⁾	Bit Range	Bits														All Resets	
			31/15	30/14	29/13	28/12	27/11	26/10	25/9	24/8	23/7	22/6	21/5	20/4	19/3	18/2		17/1
1800	HLVDCON	31:16	—	—	—	—	—	—	—	—	—	—	—	—	—	—	—	0000
		15:0	ON	—	—	—	VDIR	BGVST	—	HLVDET	DISOUT	—	—	—	HLVDL<3:0>			0000

Legend: x = unknown value on Reset; — = unimplemented, read as '0'. Reset values are shown in hexadecimal.

Note 1: The register in this table has corresponding CLR, SET, and INV registers at their virtual addresses, plus offsets of 0x4, 0x8, and 0xC, respectively. See [11.2 “CLR, SET, and INV Registers”](#) for more information.

PIC32MK MCA Family

REGISTER 29-1: HLVDCON: HIGH/LOW-VOLTAGE DETECT CONTROL REGISTER

Bit Range	Bit 31/23/15/7	Bit 30/22/14/6	Bit 29/21/13/5	Bit 28/20/12/4	Bit 27/19/11/3	Bit 26/18/10/2	Bit 25/17/9/1	Bit 24/16/8/0
31:24	U-0	U-0	U-0	U-0	U-0	U-0	U-0	U-0
	—	—	—	—	—	—	—	—
23:16	U-0	U-0	U-0	U-0	U-0	U-0	U-0	U-0
	—	—	—	—	—	—	—	—
15:8	R/W-0	U-0	U-0	U-0	R/W-0	R/W-0	U-1	HS/HC, R/W-0
	ON	—	—	—	VDIR ⁽¹⁾	BGVST	—	HLVDET
7:0	R/S-0	U-0	U-0	U-0	R/W-0	R/W-0	R/W-0	R/W-0
	DISOUT	—	—	—	HLVDL<3:0> ⁽¹⁾			

Legend:	HS = Hardware Set	HC = Hardware Clear	S = Settable bit
R = Readable bit	W = Writable bit	U = Unimplemented bit, read as '0'	
-n = Value at POR	'1' = Bit is set	'0' = Bit is cleared	x = Bit is unknown

bit 31-16 **Unimplemented:** Read as '0'

bit 15 **ON:** HLVD Module Enable bit

1 = HLVD module is enabled

0 = HLVD module is disabled

bit 14-12 **Unimplemented:** Read as '0'

bit 11 **VDIR:** Voltage Change Direction Select bit⁽¹⁾

1 = Event occurs when voltage equals or exceeds trip point (HLVDL<3:0>)

0 = Event occurs when voltage equals or falls below trip point (HLVDL<3:0>)

bit 10 **BGVST:** Band Gap Reference Voltages Stable Status bit

1 = Indicates internal band gap voltage references is stable

0 = Indicates internal band gap voltage reference is not stable

Note: This bit is readable when the HLVD module is disabled (ON bit is equal to '0').

bit 9 **Unimplemented:** Read as '1'

bit 8 **HLVDET:** High/Low-Voltage Detection Event Status bit

1 = Indicates HLVD Event interrupt is active

0 = Indicates HLVD Event interrupt is not active

bit 7 **DISOUT:** Disable HLVD Output bit

1 = Enable output of HLVD Comparator. Once set, can only be cleared by setting the ON bit to '0'.

0 = Disable output of HLVD Comparator (default Reset value). Will be forced to '0' whenever the ON bit is equal to '0'.

bit 6-4 **Unimplemented:** Read as '0'

Note 1: To avoid false HLVD events, all HLVD module setting changes should occur only when the module is disabled (ON bit is equal to '0').

PIC32MK MCA Family

REGISTER 29-1: HLVDCON: HIGH/LOW-VOLTAGE DETECT CONTROL REGISTER (CONTINUED)

bit 3-0 **HLVDL<3:0>**: High/Low-Voltage Detection Limit Select bits⁽¹⁾

1111 = 1.2V (Selects external LVDIN pin)

1110 = Reserved, Do not use

1101 = Reserved, Do not use

1100 = Reserved, Do not use

1011 = Reserved, Do not use

1010 = 2.4V

1001 = 2.5V

1000 = 2.697V

0111 = 2.791V

0110 = 3.0V

0101 = 3.288V

0100 = 3.529V

0011 = Reserved; do not use

0010 = Reserved; do not use

0001 = Reserved; do not use

0000 = Reserved; do not use

Note 1: To avoid false HLVD events, all HLVD module setting changes should occur only when the module is disabled (ON bit is equal to '0').

30.0 POWER-SAVING FEATURES

Note: This data sheet summarizes the features of the PIC32MK MCA Family of devices. It is not intended to be a comprehensive reference source. To complement the information in this data sheet, refer to **Section 10. “Power-Saving Features”** (DS60001130), which is available from the *Documentation > Reference Manual* section of the Microchip PIC32 web site (www.microchip.com/pic32).

This section describes the power-saving features on the PIC32MK MCA Family of devices. These devices have multiple power domains and offer various methods and modes that allow the user to balance the power consumption with device performance.

30.1 Power Saving with CPU Running

When the CPU is running, power consumption can be controlled by reducing the CPU clock frequency or selecting a lower power clock source (i.e., LPRC or Sosc).

In addition, the Peripheral Bus Scaling mode is available for each peripheral bus where peripherals are clocked at reduced speed by selecting a higher divider for the associated PBCLKx, or by disabling the clock completely.

30.2 Power-Saving with CPU Halted

Peripherals and the CPU can be Halted or disabled to further reduce power consumption.

30.2.1 SLEEP MODE

Sleep mode has the lowest power consumption of the device power-saving operating modes. The CPU and most peripherals are Halted and the associated clocks are disabled. Select peripherals can continue to operate in Sleep mode and can be used to wake the device from Sleep. See the individual peripheral module sections for descriptions of behavior in Sleep mode.

Sleep mode includes the following characteristics:

- There can be a wake-up delay based on the oscillator selection
- The Fail-Safe Clock Monitor (FSCM) does not operate during Sleep mode
- The BOR circuit remains operative during Sleep mode
- The WDT, if enabled, is not automatically cleared prior to entering Sleep mode

- Some peripherals can continue to operate at limited functionality in Sleep mode. These peripherals include I/O pins that detect a change in the input signal, WDT, ADC, UART and peripherals that use an external clock input or the internal LPRC oscillator (for example, RTCC, Timer1 and Input Capture).
- I/O pins continue to sink or source current in the same manner as they do when the device is not in Sleep

The processor will exit, or ‘wake-up’, from Sleep on one of the following events:

- On any interrupt from an enabled source that is operating in Sleep. The interrupt priority must be greater than the current CPU priority.
- On any form of device Reset
- On a WDT time-out

If the interrupt priority is lower than or equal to the current priority, the CPU will remain Halted, but the peripheral bus clocks will start running and the device will enter into Idle mode.

30.2.2 IDLE MODE

In Idle mode, the CPU is Halted; however, all clocks are still enabled. This allows peripherals to continue to operate. Peripherals can be individually configured to Halt when entering Idle by setting their respective SIDL bit. Latency, when exiting Idle mode, is very low due to the CPU oscillator source remaining active.

The device enters Idle mode when the SLPEN bit (OSCCON<4>) is clear and a WAIT instruction is executed.

The processor will wake or exit from Idle mode on the following events:

- On any interrupt event for which the interrupt source is enabled. The priority of the interrupt event must be greater than the current priority of the CPU. If the priority of the interrupt event is lower than or equal to current priority of the CPU, the CPU will remain Halted and the device will remain in Idle mode.
- On any form of device Reset
- On a WDT time-out interrupt

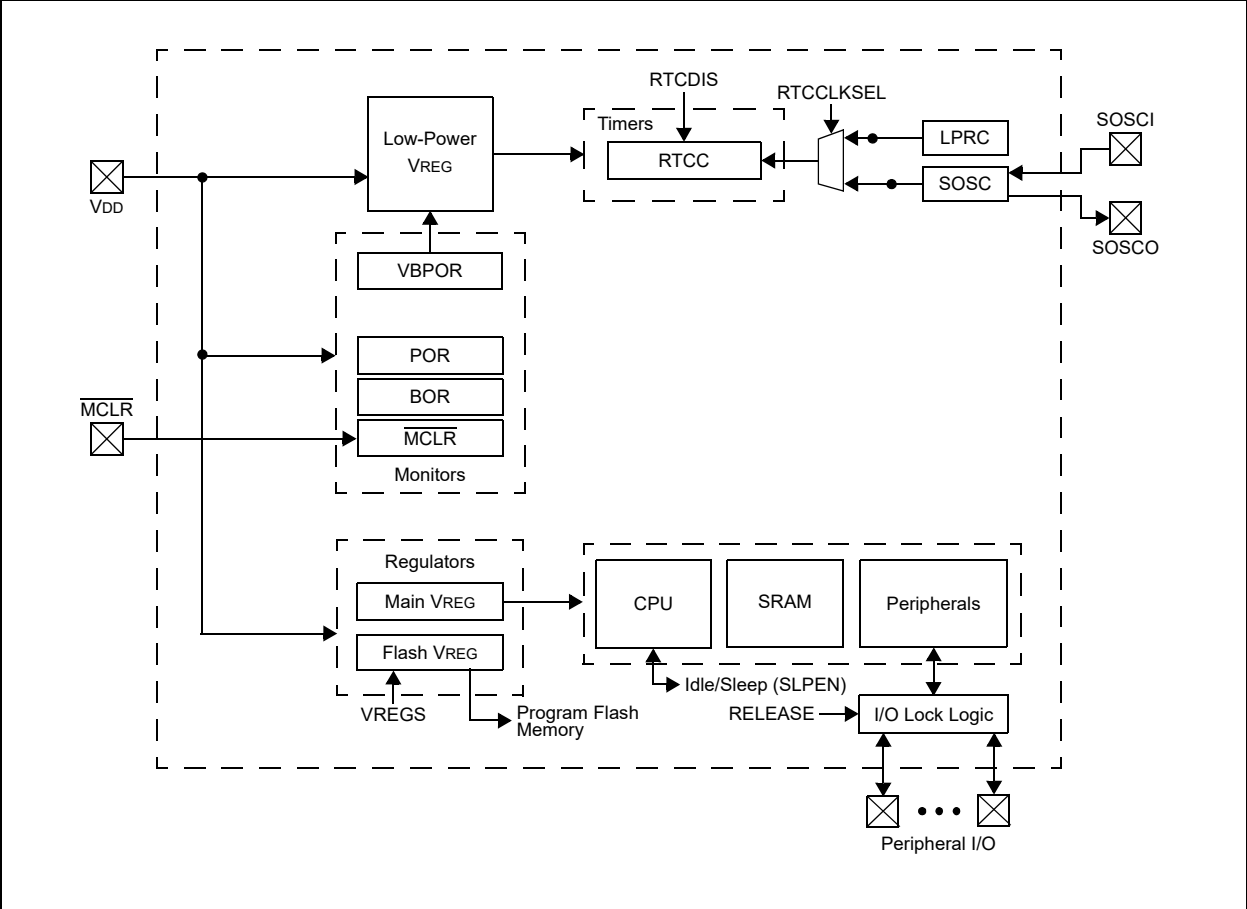
30.2.3 POWER-SAVING MODES

Figure 30-1 shows a block diagram and the related power-saving features. The various blocks are controlled by the following Configuration bit settings and SFRs:

- RTCCCLKSEL (RTCCON <9:8>)
- SLPEN (OSCCON<4>)
- VREGS (PWRCON<0>)

PIC32MK MCA Family

FIGURE 30-1: LOW-POWER DEVICE BLOCK DIAGRAM



30.3 Peripheral Module Disable

The Peripheral Module Disable (PMD) registers provide a method to disable a peripheral module by stopping all clock sources supplied to that module. When a peripheral is disabled using the appropriate PMD control bit, the peripheral is in a minimum power consumption state. The control and status registers associated with the peripheral are also disabled, hence writes to those registers do not have effect and read values are invalid. If the associated peripheral PMD bit was previously = 1, subsequently clearing the bit will require the user to reinitialize the peripheral. The only exception to this is the DMA module.

To disable a peripheral, the associated PMDx bit must be set to '1'. To enable a peripheral, the associated PMDx bit must be cleared (default). See [Table 30-1](#) for more information.

<p>Note: Disabling a peripheral module while it's ON bit is set, may result in undefined behavior. The ON bit for the associated peripheral module must be cleared prior to disable a module via the PMDx bits.</p>

TABLE 30-1: PERIPHERAL MODULE DISABLE REGISTER SUMMARY

Virtual Address (BF80_#)	Register Name	Bit Range	Bits															All Resets ⁽¹⁾			
			31/15	30/14	29/13	28/12	27/11	26/10	25/9	24/8	23/7	22/6	21/5	20/4	19/3	18/2	17/1		16/0		
0040	PMD1 ⁽²⁾	31:16	—	—	—	—	—	—	—	CLC1MD	—	—	—	—	HLVDMD	—	—	—	—	0000	
		15:0	—	—	—	—	—	—	—	—	CTMUMD	—	DAC1MD ⁽³⁾	—	—	—	—	—	—	ADCMD	0000
0050	PMD2 ⁽²⁾	31:16	—	—	—	—	—	—	—	—	—	—	—	—	—	OPA3MD	OPA2MD	OPA1MD	0000		
		15:0	—	—	—	—	—	—	—	—	—	—	—	—	—	—	C3MPMD	CMP2MD	CMP1MD	0000	
0060	PMD3 ⁽²⁾	31:16	—	—	—	—	—	—	—	—	—	—	—	—	—	OC4MD	OC3MD	OC2MD	OC1MD	0000	
		15:0	—	—	—	—	—	—	—	—	—	—	—	—	—	—	IC4MD	IC3MD	IC2MD	IC1MD	0000
0070	PMD4 ⁽²⁾	31:16	—	—	—	—	—	—	—	—	—	—	—	—	—	PWM4MD	PWM3MD	PWM2MD	PWM1MD	0000	
		15:0	—	—	—	—	—	—	—	—	—	—	—	—	—	—	T5MD	T4MD	T3MD	T2MD	T1MD
0080	PMD5 ^(1,2)	31:16	—	—	—	—	—	—	—	—	—	—	—	—	—	—	—	—	I2C2MD	I2C1MD	0000
		15:0	—	—	—	—	—	—	—	SPI2MD	SPI1MD	—	—	—	—	—	—	—	—	U2MD	U1MD
0090	PMD6 ⁽²⁾	31:16	—	—	—	—	—	—	—	—	—	—	—	—	—	—	—	—	—	—	0000
		15:0	—	—	—	—	—	—	—	REFO4MD	REFO3MD	REFO2MD	REFO1MD	—	—	—	—	—	—	—	—
00A0	PMD7 ⁽²⁾	31:16	—	—	—	—	—	—	—	—	—	—	—	—	—	—	—	—	—	—	0000
		15:0	—	—	—	—	—	—	—	—	—	—	—	—	—	—	DMAMD	—	—	—	—

Legend: x = unknown value on Reset; — = unimplemented, read as '0'. Reset values are shown in hexadecimal.

Note 1: Reset values are dependent on the device variant.

Note 2: For any associated PMDx bit, '0' = clocks enabled to the peripheral; '1' = For associated peripheral, clocks are disabled, SFRs are reset, and CPU read/write is invalid.

Note 3: This bit is not available on the 28 pin variant.

PIC32MK MCA Family

TABLE 30-2: PERIPHERAL MODULE DISABLE BITS AND LOCATIONS

Peripheral	PMDx Bit Name ⁽¹⁾	Register Name and Bit Location
ADC0, ADC1, ADC7	ADCMD	PMD1<0>
CDAC1	DAC1MD	PMD1<6>
CTMU	CTMU1MD	PMD1<8>
HLVD	HLVDMD	PMD1<20>
CLC1	CLC1MD	PMD1<24>
Comparator 1	C1MD	PMD2<0>
Comparator 2	C2MD	PMD2<1>
Comparator 3	C3MD	PMD2<2>
Op amp 1	OPA1MD	PMD2<16>
Op amp 2	OPA2MD	PMD2<17>
Op amp 3	OPA3MD	PMD2<18>
Input Capture 1	IC1MD	PMD3<0>
Input Capture 2	IC2MD	PMD3<1>
Input Capture 3	IC3MD	PMD3<2>
Input Capture 4	IC4MD	PMD3<3>
Output Compare 1	OC1MD	PMD3<16>
Output Compare 2	OC2MD	PMD3<17>
Output Compare 3	OC3MD	PMD3<18>
Output Compare 4	OC4MD	PMD3<19>
Timer1	T1MD	PMD4<0>
Timer2	T2MD	PMD4<1>
Timer3	T3MD	PMD4<2>
Timer4	T4MD	PMD4<3>
Timer5	T5MD	PMD4<4>
PWM1	PWM1MD	PMD4<16>
PWM2	PWM2MD	PMD4<17>
PWM3	PWM3MD	PMD4<18>
PWM4	PWM4MD	PMD4<19>
Uart1	U1MD	PMD5<0>
Uart2	U2MD	PMD5<1>
SPI1	SPI1MD	PMD5<8>
SPI2	SPI2MD	PMD5<9>
I2C1	I2C1MD	PMD<16>
I2C2	I2C2MD	PMD<17>
Reference Clock 1	REFO1MD	PMD6<8>
Reference Clock 2	REFO2MD	PMD6<9>
Reference Clock 3	REFO3MD	PMD6<10>
Reference Clock 4	REFO4MD	PMD6<11>
QE1	QE1MD	PMD6<24>
QE2	QE2MD	PMD6<25>
DMA	DMAMD	PMD7<4>

Note 1: For any associated PMDx bit, 0 = clocks enabled to the peripheral; 1 = For associated peripheral, clocks are disabled, SFRs are reset, and CPU read/write is invalid. If the associated peripheral PMD bit was previously = 1, subsequently clearing the bit will require the user to reinitialize the peripheral. The only exception to this is the DMA module.

PIC32MK MCA Family

30.3.1 CONTROLLING CONFIGURATION CHANGES

Because peripherals can be disabled during run time, some restrictions on disabling peripherals are needed to prevent accidental configuration changes. PIC32MK MCA Family of devices include two features to prevent alterations to enabled or disabled peripherals:

- Control Register Lock Sequence
- Configuration Bit Select Lock

30.3.1.1 Control Register Lock

Under normal operation, writes to the PMDx registers are not allowed. Attempted writes appear to execute normally, but the contents of the registers remain unchanged. To change these registers, they must be unlocked in hardware. The register lock is controlled by the PMDLOCK Configuration bit (CFGCON<12>). Setting the PMDLOCK bit prevents writes to the control registers and clearing the PMDLOCK bit allows writes.

To set or clear the PMDLOCK bit, an unlock sequence must be executed. Refer to **Section 42. “Oscillators with Enhanced PLL”** (DS60001250) in the *“PIC32 Family Reference Manual”* for details.

30.3.1.2 Configuration Bit Select Lock

As an additional level of safety, the device can be configured to prevent more than one write session to the PMDx registers. The PMDL1WAY Configuration bit (DEVCFG3<28>) blocks the PMDLOCK bit from being cleared after it has been set once. If the PMDLOCK bit remains set, the register unlock procedure does not execute, and the PPS control registers cannot be written to. The only way to clear the bit and re-enable PMD functionality is to perform a device Reset.

31.0 SPECIAL FEATURES

Note: This data sheet summarizes the features of the PIC32MK MCA Family of devices. However, it is not intended to be a comprehensive reference source. To complement the information in this data sheet, refer to **Section 32. “Configuration”** (DS60001124) and **Section 33. “Programming and Diagnostics”** (DS60001129), which are available from the *Documentation > Reference Manual* section of the Microchip PIC32 web site (www.microchip.com/pic32).

PIC32MK MCA Family of devices include several features intended to maximize application flexibility and reliability and minimize cost through elimination of external components. The following are key features:

- Flexible device configuration
- Joint Test Action Group (JTAG) interface
- In-Circuit Serial Programming™ (ICSP™)
- Internal temperature sensor

31.1 Configuration Bits

PIC32MK MCA Family of devices contain two Boot Flash memories (Boot Flash 1 and Boot Flash 2), each with an associated configuration space. These configuration spaces can be programmed to contain various device configurations. Configuration space that is aliased by the Lower Boot Alias memory region is used to provide values for Configuration registers listed below. See **4.1.1 “Boot Flash Sequence and Configuration Spaces”** for more information.

- [DEVSIGN0: Device Signature Word 0 Register](#)
- [DEVCP0: Device Code-Protect 0 Register](#)
- [DEVCFG0/ADEVCFG0: Device/Alternate Device Configuration Word 0](#)
- [DEVCFG1/ADEVCFG1: Device/Alternate Device Configuration Word 1](#)
- [DEVCFG2/ADEVCFG2: Device/Alternate Device Configuration Word 2](#)
- [DEVCFG3/ADEVCFG3: Device/Alternate Device Configuration Word 3](#)

The following run-time programmable Configuration registers provide additional configuration control:

- [CFGCON: Configuration Control Register](#)
- [CFGPG: Permission Group Configuration Register](#)

In addition, the DEVID register ([Register 31-9](#)) provides device and revision information, the DEVADC1 through DEVADC5 registers ([Register 31-10](#)) provide ADC module calibration data, and the DEVSNO and DEVSNO3 registers contain a unique serial number of the device ([Register 31-11](#)).

Note: Do not use Word program operation (NVMOP<3:0> = 0001) when programming the device Words that are described in this section.

31.2 Registers

TABLE 31-1: DEVCFG: DEVICE CONFIGURATION WORD SUMMARY

Virtual Address (BFC0_#)	Register Name	Bit Range	Bits															All Resets	
			31/15	30/14	29/13	28/12	27/11	26/10	25/9	24/8	23/7	22/6	21/5	20/4	19/3	18/2	17/1		16/0
3FC0	DEVCFG3	31:16	—	—	IOL1WAY	PMDL1WAY	PGL1WAY	—	—	—	—	—	—	PWMLOCK	—	—	—	—	xxxx
		15:0	USERID<15:0>															xxxx	
3FC4	DEVCFG2	31:16	—	—	BORSEL	FUSEN	—	—	—	—	—	—	—	—	—	FPLLIDIV<2:0>			xxxx
		15:0	FPLLMULT<6:0>						FPLLICK	FPLL RNG<2:0>			—	FPLLIDIV<2:0>			xxxx		
3FC8	DEVCFG1	31:16	FDMTEN	DMTCNT<4:0>				FWDTWINSZ<1:0>		FWDTEN	WINDIS	WDTSPGM	WDTPSR<4:0>				xxxx		
		15:0	FCKSM<1:0>		—	—	—	OSCI0FNC	POSCMOD<1:0>		IES0	LPOSCEN	DMTINTV<2:0>		FNOSC<2:0>		xxxx		
3FCC	DEVCFG0	31:16	—	EJTAGBEN	—	—	POSCAGC	—	POSCAGCDLY<1:0>		POSCFGAIN<1:0>		POSCBOOST	POSCGAIN<1:0>		SOSCGAIN<2:0>		xxxx	
		15:0	SMCLR	DBGPER<2:0>			—	FSLEEP	FECCCON<1:0>		—	BOOTISA	TRCEN	ICESEL<1:0>		JTAGEN	DEBUG<1:0>		xxxx
3FD0	DEVCP3	31:16	—	—	—	—	—	—	—	—	—	—	—	—	—	—	—	—	xxxx
		15:0	—	—	—	—	—	—	—	—	—	—	—	—	—	—	—	—	—
3FD4	DEVCP2	31:16	—	—	—	—	—	—	—	—	—	—	—	—	—	—	—	—	xxxx
		15:0	—	—	—	—	—	—	—	—	—	—	—	—	—	—	—	—	—
3FD8	DEVCP1	31:16	—	—	—	—	—	—	—	—	—	—	—	—	—	—	—	—	xxxx
		15:0	—	—	—	—	—	—	—	—	—	—	—	—	—	—	—	—	—
3FDC	DEVCP0	31:16	—	—	—	CP	—	—	—	—	—	—	—	—	—	—	—	—	xxxx
		15:0	—	—	—	—	—	—	—	—	—	—	—	—	—	—	—	—	—
3FF0	DEVSEQ 3	31:16	—	—	—	—	—	—	—	—	—	—	—	—	—	—	—	—	xxxx
		15:0	—	—	—	—	—	—	—	—	—	—	—	—	—	—	—	—	—
3FF4	DEVSEQ 2	31:16	—	—	—	—	—	—	—	—	—	—	—	—	—	—	—	—	xxxx
		15:0	—	—	—	—	—	—	—	—	—	—	—	—	—	—	—	—	—
3FF8	DEVSEQ 1	31:16	—	—	—	—	—	—	—	—	—	—	—	—	—	—	—	—	xxxx
		15:0	—	—	—	—	—	—	—	—	—	—	—	—	—	—	—	—	—
3FFC	DEVSEQ0	31:16	—	—	—	—	—	—	—	—	—	—	—	—	—	—	—	—	xxxx
		15:0	—	—	—	—	—	—	—	—	—	—	—	—	—	—	—	—	—

Legend: x = unknown value on Reset; See register description detail for more information. Reset values are shown in hexadecimal.

TABLE 31-2: ADEVCFG: ALTERNATE DEVICE CONFIGURATION WORD SUMMARY

Virtual Address (BFC0_#)	Register Name	Bit Range	Bits															All Resets		
			31/15	30/14	29/13	28/12	27/11	26/10	25/9	24/8	23/7	22/6	21/5	20/4	19/3	18/2	17/1		16/0	
3F40	ADEVCFG3	31:16	—	—	IOL1WAY	PMDL1WAY	PGL1WAY	—	—	—	—	—	—	PWMLOCK	—	—	—	—	xxxx	
		15:0	USERID<15:0>															xxxx		
3F44	ADEVCFG2	31:16	—	—	BORSEL	FDMEN	—	—	—	—	—	—	—	—	—	—	—	FPLLODIV<2:0>	xxxx	
		15:0	FPLLMULT<6:0>						FPLLICK	FPLLNG<2:0>			—	FPLLDIV<2:0>			xxxx			
3F48	ADEVCFG1	31:16	FDMTEN	DMTCNT<4:0>				FWDTWINSZ<1:0>		FWDTEN	WINDIS	WDTSPGM	WDTPSR<4:0>				xxxx			
		15:0	FKSM<1:0>		—	—	—	—	OSCIOfNC	POSCMOD<1:0>		IES0	LPOSCEN	DMTINTV<2:0>		FNOSC<2:0>		xxxx		
3F4C	ADEVCFG0	31:16	—	EJTAGBEN	—	—	—	POSCAGC	—	POSCAGCDLY<1:0>		POSCFGAIN<1:0>		POSCBOOST	POSCGAIN<1:0>		SOSCGAIN<2:0>		xxxx	
		15:0	SMCLR	DBGPER<2:0>			—	FSLEEP	FECCCON<1:0>		—	BOOTISA	TRCEN	ICESEL<1:0>		JTAGEN	DEBUG<1:0>		xxxx	
3F50	ADEVCP3	31:16	—	—	—	—	—	—	—	—	—	—	—	—	—	—	—	—	—	xxxx
		15:0	—	—	—	—	—	—	—	—	—	—	—	—	—	—	—	—	—	—
3F54	ADEVCP2	31:16	—	—	—	—	—	—	—	—	—	—	—	—	—	—	—	—	—	xxxx
		15:0	—	—	—	—	—	—	—	—	—	—	—	—	—	—	—	—	—	—
3F58	ADEVCP1	31:16	—	—	—	—	—	—	—	—	—	—	—	—	—	—	—	—	—	xxxx
		15:0	—	—	—	—	—	—	—	—	—	—	—	—	—	—	—	—	—	—
3F5C	ADEVCP0	31:16	—	—	—	—	CP	—	—	—	—	—	—	—	—	—	—	—	—	xxxx
		15:0	—	—	—	—	—	—	—	—	—	—	—	—	—	—	—	—	—	—
3F70	ADEVSEQ 3	31:16	—	—	—	—	—	—	—	—	—	—	—	—	—	—	—	—	—	xxxx
		15:0	—	—	—	—	—	—	—	—	—	—	—	—	—	—	—	—	—	—
3F74	ADEVSEQ 2	31:16	—	—	—	—	—	—	—	—	—	—	—	—	—	—	—	—	—	xxxx
		15:0	—	—	—	—	—	—	—	—	—	—	—	—	—	—	—	—	—	—
3F78	ADEVSEQ 1	31:16	—	—	—	—	—	—	—	—	—	—	—	—	—	—	—	—	—	xxxx
		15:0	—	—	—	—	—	—	—	—	—	—	—	—	—	—	—	—	—	—
3F7C	ADEVSEQ0	31:16	—	—	—	—	—	—	—	—	—	—	—	—	—	—	—	—	—	xxxx
		15:0	—	—	—	—	—	—	—	—	—	—	—	—	—	—	—	—	—	—

Legend: x = unknown value on Reset; See register description detail for more information. Reset values are shown in hexadecimal.

TABLE 31-3: DEVICE ID, REVISION, AND CONFIGURATION SUMMARY

Virtual Address (BF80_#)	Register Name	Bit Range	Bits														All Resets ⁽²⁾				
			31/15	30/14	29/13	28/12	27/11	26/10	25/9	24/8	23/7	22/6	21/5	20/4	19/3	18/2		17/1	16/0		
0000	CFGCON	31:16	—	—	—	—	—	ADCPRI	—	—	—	—	—	—	—	—	ICACLK	OCACLK	0000		
		15:0	—	—	IOLOCK	PMDLOCK	PGLOCK	—	—	—	IOANCPEN	—	ECCCON<1:0>		JTAGEN	—	—	TDOEN	00xx		
0020	DEVID	31:16	VER<3:0>				DEVID<27:16>														xxxx
		15:0	DEVID<15:0>																	xxxx	
0030	SYSKEY	31:16	SYSKEY<31:0>																	0000	
		15:0	SYSKEY<31:0>																	0000	
00E0	CFGPG	31:16	—	—	JTAGPG<1:0>		—	—	ADCPG<1:0>		FCPG<1:0>		—	—	—	—	—	—	—	0000	
		15:0	—	—	—	—	—	—	—	—	—	—	DMPAG<1:0>		CPUDSPG<1:0>		CPUPG<1:0>		0000		

Legend: x = unknown value on Reset; — = unimplemented, read as '0'. Reset values are shown in hexadecimal.

- Note** 1: This register has corresponding CLR, SET, and INV registers at its virtual address, plus an offset of 0x4, 0x8, and 0xC, respectively. See [11.2 “CLR, SET, and INV Registers”](#) for more information.
- 2: Reset values are dependent on the device variant.
- 3: This register is not available on 64-pin devices.

TABLE 31-4: DEVICE ADC CALIBRATION SUMMARY

Virtual Address (BFC4_#)	Register Name	Bit Range	Bits														All Resets ⁽¹⁾
			31/15	30/14	29/13	28/12	27/11	26/10	25/9	24/8	23/7	22/6	21/5	20/4	19/3	18/2	
5000	DEVADC0 ⁽²⁾	31:16	ADC Calibration Data <31:16>														xxxx
		15:0	ADC Calibration Data <15:0>														xxxx
5004	DEVADC1 ⁽²⁾	31:16	ADC Calibration Data <31:16>														xxxx
		15:0	ADC Calibration Data <15:0>														xxxx
5018	DEVADC7 ⁽²⁾	31:16	ADC Calibration Data <31:16>														xxxx
		15:0	ADC Calibration Data <15:0>														xxxx

Legend: x = unknown value on Reset.

Note 1: Reset values are dependent on the device variant.

Note 2: Before enabling the ADC, the user application must initialize the ADC calibration codes by copying them from the factory programmed DEVADCx Flash locations into the ADCxCFG special function registers, respectively.

TABLE 31-5: DEVICE SERIAL NUMBER SUMMARY

Virtual Address (BFC4_#)	Register Name	Bit Range	Bits															All Resets ⁽¹⁾
			31/15	30/14	29/13	28/12	27/11	26/10	25/9	24/8	23/7	22/6	21/5	20/4	19/3	18/2	17/1	
5020	DEVSN0	31:16	Device Serial Number <31:16>															xxxxx
		15:0	Device Serial Number <15:0>															xxxxx
5024	DEVSN1	31:16	Device Serial Number <31:16>															xxxxx
		15:0	Device Serial Number <15:0>															xxxxx
5028	DEVSN2	31:16	Device Serial Number <31:16>															xxxxx
		15:0	Device Serial Number <15:0>															xxxxx
502C	DEVSN3	31:16	Device Serial Number <31:16>															xxxxx
		15:0	Device Serial Number <15:0>															xxxxx

Legend: x = unknown value on Reset.

Note 1: Reset values are dependent on the device variant.

PIC32MK MCA Family

REGISTER 31-1: DEVSIGN0: DEVICE SIGNATURE WORD 0 REGISTER

Bit Range	Bit 31/23/15/7	Bit 30/22/14/6	Bit 29/21/13/5	Bit 28/20/12/4	Bit 27/19/11/3	Bit 26/18/10/2	Bit 25/17/9/1	Bit 24/16/8/0
31:24	r-0	r-1	r-1	r-1	r-1	r-1	r-1	r-1
	—	—	—	—	—	—	—	—
23:16	r-1	r-1	r-1	r-1	r-1	r-1	r-1	r-1
	—	—	—	—	—	—	—	—
15:8	r-1	r-1	r-1	r-1	r-1	r-1	r-1	r-1
	—	—	—	—	—	—	—	—
7:0	r-1	r-1	r-1	r-1	r-1	r-1	r-1	r-1
	—	—	—	—	—	—	—	—

Legend:	r = Reserved bit	W = Writable bit	U = Unimplemented bit, read as '0'
R = Readable bit	'1' = Bit is set	'0' = Bit is cleared	x = Bit is unknown
-n = Value at POR			

bit 31 **Reserved:** Write as '0'

bit 30-0 **Reserved:** Write as '1'

REGISTER 31-2: DEVCP0: DEVICE CODE-PROTECT 0 REGISTER

Bit Range	Bit 31/23/15/7	Bit 30/22/14/6	Bit 29/21/13/5	Bit 28/20/12/4	Bit 27/19/11/3	Bit 26/18/10/2	Bit 25/17/9/1	Bit 24/16/8/0
31:24	r-1	r-1	r-1	R/P	r-1	r-1	r-1	r-1
	—	—	—	CP	—	—	—	—
23:16	r-1	r-1	r-1	r-1	r-1	r-1	r-1	r-1
	—	—	—	—	—	—	—	—
15:8	r-1	r-1	r-1	r-1	r-1	r-1	r-1	r-1
	—	—	—	—	—	—	—	—
7:0	r-1	r-1	r-1	r-1	r-1	r-1	r-1	r-1
	—	—	—	—	—	—	—	—

Legend:	r = Reserved bit	P = Programmable bit
R = Readable bit	W = Writable bit	U = Unimplemented bit, read as '0'
-n = Value at POR	'1' = Bit is set	'0' = Bit is cleared
		x = Bit is unknown

bit 31-29 **Reserved:** Write as '1'

bit 28 **CP:** Code-Protect bit

Prevents boot and program Flash memory from being read or modified by an external programming device.

1 = Protection is disabled

0 = Protection is enabled

bit 27-0 **Reserved:** Write as '1'

PIC32MK MCA Family

REGISTER 31-3: DEVCFG0/ADEVCFG0: DEVICE/ALTERNATE DEVICE CONFIGURATION WORD 0

Bit Range	Bit 31/23/15/7	Bit 30/22/14/6	Bit 29/21/13/5	Bit 28/20/12/4	Bit 27/19/11/3	Bit 26/18/10/2	Bit 25/17/9/1	Bit 24/16/8/0
31:24	r-x	R/P	r-1	r-1	R/P	r	R/P	R/P
	—	EJTAGBEN	—	—	POSCAGC	—	POSCAGCDLY<1:0>	
23:16	R/P	R/P	R/P	R/P	R/P	R/P	R/P	R/P
	POSCFGAIN<1:0>		POSCBOOST	POSCGAIN<1:0>		SOSCBOOST	SOSCGAIN<1:0>	
15:8	R/P	R/P	R/P	R/P	r-y	R/P	R/P	R/P
	SMCLR	DBGPER<2:0>			—	FSLEEP	FECCON<1:0>	
7:0	r-1	R/P	R/P	R/P	R/P	R/P	R/P	R/P
	—	BOOTISA	TRCEN	ICESEL<1:0>		JTAGEN	DEBUG<1:0>	

Legend:	r = Reserved bit	P = Programmable bit
R = Readable bit	W = Writable bit	U = Unimplemented bit, read as '0'
-n = Value at POR	'1' = Bit is set	'0' = Bit is cleared
		x = Bit is unknown

bit 31 **Reserved:** The reset value of this bit is the same as DEVSIGN0<31>.

bit 30 **EJTAGBEN:** EJTAG Boot Enable bit

- 1 = Normal EJTAG functionality
- 0 = Reduced EJTAG functionality

bit 29-28 **Reserved:** Write as '1'

bit 27 **POSCAGC:** Primary Oscillator Automatic Gain Control bit

- 1 = Automatic gain control is enabled (default)
- 0 = Manual oscillator gain control

When the POSCAGC bit is enabled and POSC HS mode is selected, DEVCFG1<9:8> = '0b10' (i.e., POSCMOD), the Primary Oscillator will automatically do a linear search to find the lowest power/gain setting to guarantee oscillation with the users crystal.

Note: If the POSCMOD<1:0> bits (DEVCFG1/ADEVCFG1<9:8> = '0b00' (i.e., POSCMOD = EC mode), the POSCAGC bit must be set to '0'. POSCMOD = EC mode with POSCAGC = 1 is not permitted and will result in no oscillation.

bit 26 **Reserved:** Do not write a logic "0" to this bit.

bit 25-24 **POSCAGCDLY<1:0>:** Primary Crystal AGC Gain Search Step Settling Time Control bits

- 11 = Approximately (25 ms) (default)
- 10 = Approximately (6.25 ms)
- 01 = Approximately (400 ms)
- 00 = Approximately (100 ms)

Note 1: When the POSCAGC bit (DEVCFG0<27>) = 0 (that is, manual oscillator gain control), these bits are not used. They are only used when AGC is enabled.

2: For POSC HS mode (DEVCFG1<9:8> = '0b10'), the default setting should meet the user crystal requirements. Internally, there are a maximum of 16 and a minimum of one AGC linear gain search steps the logic may utilize before locking. A lock will occur when the crystal is oscillating and the amplitude of the crystal signal is between a max and min fixed internal threshold. The POSCAGCDLY is the time for each of the possible AGC search steps settling time to allow the crystal to startup and amplitude stabilize before determining if a lock is true or to continue to search for the required gain. The POSCAGCDLY<1:0> bits represent a balance between start-up time and crystal power optimization. The lower the POSCAGCDLY delay time the faster the crystal start-up time but potentially at a higher crystal power level. The higher the POSCAGCDLY delay time the slower the crystal start-up time but with a better crystal power optimization level (i.e., less power).

3: Use of resonators with this product have not been confirmed -- use at your own discretion. When using a resonator, due to their long start-up times, it may be necessary to use a longer AGC gain step settling time.

REGISTER 31-3: DEVCFG0/ADEVCFG0: DEVICE/ALTERNATE DEVICE CONFIGURATION WORD 0 (CONTINUED)

bit 23-22 **POSCFGAIN<1:0>**: Primary Crystal Oscillator Fine Gain Control bits

- 11 = Gain level 3 (highest, default)
- 10 = Gain is G2
- 01 = Gain is G1
- 00 = Gain is G0(lowest)

Note 1: G3 > G2 > G1 > G0.

2: When the POSCAGC bit (DEVCFG0<27>) = 1 (i.e., automatic gain control), or the POSCMOD<1:0> bits (DEVCFG1/ADEVCFG1<9:8>) ≠ '0b10 (i.e., HS crystal mode), the POSCGAIN<1:0> bits are not used.

3: These bits are used in conjunction with DEVCFG0/ADEVCFG0<20:19>. In almost all cases, the crystal fine gain default setting of '0b11 will work with the users course gain setting selection.

bit 21 **POSCBOOST**: Primary Oscillator Boost bit

- 1 = Uses internal XTAL feedback gain resistor (Default, in which case the user application should not use any external XTAL feedback resistor in the crystal circuit)
- 0 = Disconnects the internal XTAL feedback resistor

bit 20-19 **POSCGAIN<1:0>**: Primary Crystal Oscillator Coarse Gain Control bits

- 11 = Gain Level 3 (highest, default)
- 10 = Gain Level 2
- 01 = Gain Level 1
- 00 = Gain Level 0 (lowest)

Note 1: G3 > G2 > G1 > G0.

2: When the POSCAGC bit (DEVCFG0<27>) = 1 (i.e., automatic gain control), or the POSCMOD<1:0> bits (DEVCFG1/ADEVCFG1<9:8>) ≠ '0b10 (i.e., HS crystal mode), the POSCGAIN<1:0> bits are not used.

bit 18 **SOSCBOOST**: Secondary Oscillator Kick Start Programmability bit

- 1 = Start up and operate with high-power SOSC internal buffer only.
- 0 = Start up with internal SOSC high-power buffer, and then switch to low-power buffer when the SOSC is stable.

bit 17-16 **SOSCGAIN<1:0>**: Secondary Oscillator Gain Control bits

If SOSCGAIN<2> = 0:

- 11 = Gain is G3 (default)
- 10 = Gain is G2
- 01 = Gain is G1
- 00 = Gain is G0

Note: G3 > G2 > G1 > G0.

bit 15 **SMCLR**: Soft Master Clear Enable bit

- 1 = MCLR pin generates a normal system Reset
- 0 = MCLR pin generates a POR Reset

bit 14-12 **DBGPER<2:0>**: Debug Mode CPU Access Permission bits

- 1xx = Allow CPU access to Permission Group 2 permission regions
- x1x = Allow CPU access to Permission Group 1 permission regions
- xx1 = Allow CPU access to Permission Group 0 permission regions
- 0xx = Deny CPU access to Permission Group 2 permission regions
- x0x = Deny CPU access to Permission Group 1 permission regions
- xx0 = Deny CPU access to Permission Group 0 permission regions

Note: When the CPU is in Debug mode and the CPU1PG<1:0> bits (CFGPG<1:0>) are set to a denied permission group as defined by DBGPER<2:0>, the transaction request is assigned Group 3 permissions.

bit 11 **Reserved**: This bit is controlled by debugger/emulator development tools and should not be modified by the user.

PIC32MK MCA Family

REGISTER 31-3: DEVCFG0/ADEVCFG0: DEVICE/ALTERNATE DEVICE CONFIGURATION WORD 0 (CONTINUED)

- bit 10 **FSLEEP:** Flash Sleep Mode bit
1 = Flash is powered down when the device is in Sleep mode
0 = Flash power down is controlled by the VREGS bit (PWRCON<0>)
- bit 9-8 **FECCCON<1:0>:** Dynamic Flash ECC Configuration bits
11 = ECC and dynamic ECC are disabled (ECCCON<1:0> bits are writable)
10 = ECC and dynamic ECC are disabled (ECCCON<1:0> bits are locked)
01 = Dynamic Flash ECC is enabled (ECCCON<1:0> bits are locked)
00 = Flash ECC is enabled (ECCCON<1:0> bits are locked; disables word Flash writes)
Note: Upon a device POR, the value of these bits are copied by hardware into CFGCON<5:4> bits, (i.e. ECCCON<1:0>).
- bit 7 **Reserved:** Write as '1'
- bit 6 **BOOTISA:** Boot ISA Selection bit
1 = Boot code and Exception code is MIPS32
(ISAONEXC bit is set to '0' and the ISA<1:0> bits are set to '10' in the CP0 Config3 register)
0 = Boot code and Exception code is microMIPS
(ISAONEXC bit is set to '1' and the ISA<1:0> bits are set to '11' in the CP0 Config3 register)
- bit 5 **TRCEN:** Trace Enable bit
1 = Trace features in the CPU are enabled
0 = Trace features in the CPU are disabled
- bit 4-3 **ICESEL<1:0>:** In-Circuit Emulator/Debugger Communication Channel Select bits
11 = PGEC1/PGED1 pair is used
10 = PGEC2/PGED2 pair is used
01 = PGEC3/PGED3 pair is used
00 = Reserved
- bit 2 **JTAGEN:** JTAG Enable bit
1 = JTAG is enabled
0 = JTAG is disabled
Note 1: On Reset, this Configuration bit is copied into JTAGEN (CFGCON<3>). If JTAGEN (DEVCFG0<2>) = 0, the JTAGEN bit cannot be set to '1' by the user application at run-time, as JTAG is always disabled. However, if JTAGEN (DEVCFG0<2>) = 1, the user application may enable/disable JTAG at run-time by simply writing JTAGEN (CFGCON<3>) as required.
2: This bit sets the value of the JTAGEN bit in the CFGCON register.
- bit 1-0 **DEBUG<1:0>:** Background Debugger Enable bits (forced to '11' if code-protect is enabled)
11 = 4-wire JTAG Enabled - PGECx/PGEDx Disabled - ICD module Disabled
10 = 4-wire JTAG Enabled - PGECx/PGEDx Disabled - ICD module Enabled
01 = PGECx/PGEDx Enabled - 4-wire JTAG I/F Disabled - ICD module Disabled
00 = PGECx/PGEDx Enabled - 4-wire JTAG I/F Disabled - ICD module Enabled
Note: When the FJTAGEN or JTAGEN bits are equal to '0', this prevents 4-wire JTAG debugging, but not PGECx/PGEDx debugging.

PIC32MK MCA Family

REGISTER 31-4: DEVCFG1/ADEVCFG1: DEVICE/ALTERNATE DEVICE CONFIGURATION WORD 1

Bit Range	Bit 31/23/15/7	Bit 30/22/14/6	Bit 29/21/13/5	Bit 28/20/12/4	Bit 27/19/11/3	Bit 26/18/10/2	Bit 25/17/9/1	Bit 24/16/8/0
31:24	R/P	R/P	R/P	R/P	R/P	R/P	R/P	R/P
	FDMTEN	DMTCNT<4:0>					FWDTWINSZ<1:0>	
23:16	R/P	R/P	R/P	R/P	R/P	R/P	R/P	R/P
	FWDTEN	WINDIS	WDTSPGM	WDTPS<4:0>				
15:8	R/P	R/P	r-1	r-1	r-1	R/P	R/P	R/P
	FCKSM<1:0>		—	—	—	OSCIOFNC	POSCMOD<1:0>	
7:0	R/P	R/P	R/P	R/P	R/P	R/P	R/P	R/P
	IESO	FSOSCEN ⁽¹⁾	DMTINV<2:0>			FNOSC<2:0>		

Legend:	r = Reserved bit	P = Programmable bit
R = Readable bit	W = Writable bit	U = Unimplemented bit, read as '0'
-n = Value at POR	'1' = Bit is set	'0' = Bit is cleared
		x = Bit is unknown

bit 31 **FDMTEN:** Deadman Timer enable bit

1 = Deadman Timer is enabled and cannot be disabled by software

0 = Deadman Timer is disabled and can be enabled by software, but once enabled, it cannot be disabled by software

bit 30-26 **DMTCNT<4:0>:** Deadman Timer Count Select bits

11111 = Reserved

.

.

.

11000 = Reserved

10111 = 2³¹ (2147483648)

10110 = 2³⁰ (1073741824)

10101 = 2²⁹ (536870912)

10100 = 2²⁸ (268435456)

.

.

.

00001 = 2⁹ (512)

00000 = 2⁸ (256)

bit 25-24 **FWDTWINSZ<1:0>:** Watchdog Timer Window Size bits

11 = Window size is 25%

10 = Window size is 37.5%

01 = Window size is 50%

00 = Window size is 75%

bit 23 **FWDTEN:** Watchdog Timer Enable bit

1 = Watchdog Timer is enabled and cannot be disabled by software

0 = Watchdog Timer is not enabled; it can be enabled in software

bit 22 **WINDIS:** Watchdog Timer Window Enable bit

1 = Watchdog Timer is in non-Window mode

0 = Watchdog Timer is in Window mode

bit 21 **WDTSPGM:** Watchdog Timer Stop During Flash Programming bit

1 = Watchdog Timer stops during Flash programming

0 = Watchdog Timer runs during Flash programming (for read/execute while programming Flash applications)

Note 1: If using external clock oscillator for SOSC instead of crystal, the FSOSCEN bit must be set to '0' with clock oscillator input connected to SOSCO; SOSC output pin not the SOSCI input pin. This will free up the SOSCI pin for use as an extra I/O pin.

PIC32MK MCA Family

REGISTER 31-4: DEVCFG1/ADEVCFG1: DEVICE/ALTERNATE DEVICE CONFIGURATION WORD 1 (CONTINUED)

bit 20-16 **WDTPS<4:0>**: Watchdog Timer Postscale Select bits

10100 = 1:1048576
10011 = 1:524288
10010 = 1:262144
10001 = 1:131072
10000 = 1:65536
01111 = 1:32768
01110 = 1:16384
01101 = 1:8192
01100 = 1:4096
01011 = 1:2048
01010 = 1:1024
01001 = 1:512
01000 = 1:256
00111 = 1:128
00110 = 1:64
00101 = 1:32
00100 = 1:16
00011 = 1:8
00010 = 1:4
00001 = 1:2
00000 = 1:1

All other combinations not shown result in operation = 10100

bit 15-14 **FCKSM<1:0>**: Clock Switching and Monitoring Selection Configuration bits

11 = Software run-time clock switching is enabled and clock monitoring is enabled
10 = Software run-time clock switching is disabled and clock monitoring is enabled
01 = Software run-time clock switching is enabled and clock monitoring is disabled
00 = Software run-time clock switching is disabled and clock monitoring is disabled

bit 13-11 **Reserved**: Write as '1'

bit 10 **OSCIOFNC**: CLKO Enable Configuration bit

1 = CLKO output is disabled
0 = CLKO output signal is active on the OSC2 pin; Primary Oscillator must be disabled or configured for the External Clock mode (EC) for the CLKO to be active (POSCMOD<1:0> = 11 or 00)

bit 9-8 **POSCMOD<1:0>**: Primary Oscillator Configuration Mode bits

11 = Posc is disabled
10 = HS Oscillator mode is selected
01 = Reserved
00 = EC mode is selected. This mode must not be selected if the POSCAGC bit (DEVCFG0/ADEVCFG0<27>) = 1.

bit 7 **IES0**: Internal External Switchover bit

1 = Internal to External HDW Clock Switchover mode is enabled (Two-Speed Start-up is enabled)
0 = Internal to External HDW Clock Switchover mode is disabled (Two-Speed Start-up is disabled)

When IES0 is set, CPU hardware will start up executing code on FRC and automatically switch to the clock source defined by FNOSC when that oscillator source is ready and stable, regardless of whether or not FCKSM clock switching is enabled.

bit 6 **FSOSCEN**: Secondary Oscillator Enable bit⁽¹⁾

1 = Enable Sosc
0 = Disable Sosc

Note 1: If using external clock oscillator for SOSC instead of crystal, FSOSCEN bit must be set to '0' with clock oscillator input connected to SOSCO, SOSC output pin not the SOSCI input pin. This will free up the SOSCI pin for use as an extra I/O pin.

REGISTER 31-4: DEVCFG1/ADEVCFG1: DEVICE/ALTERNATE DEVICE CONFIGURATION WORD 1 (CONTINUED)

bit 5-3 **DMTINV<2:0>**: Deadman Timer Count Window Interval bits

- 111 = Window/Interval value is 127/128 counter value
- 110 = Window/Interval value is 63/64 counter value
- 101 = Window/Interval value is 31/32 counter value
- 100 = Window/Interval value is 15/16 counter value
- 011 = Window/Interval value is 7/8 counter value
- 010 = Window/Interval value is 3/4 counter value
- 001 = Window/Interval value is 1/2 counter value
- 000 = Window/Interval value is zero

bit 2-0 **FNOSC<2:0>**: Oscillator Selection bits

- 111 = Reserved
- 110 = Backup Fast RC (BFRC) Oscillator
- 101 = Low-Power RC Oscillator (LPRC)
- 100 = Secondary Oscillator (Sosc)
- 011 = Reserved
- 010 = Primary Oscillator (Posc) (HS, EC)
- 001 = System PLL (SPLL Module) (input clock and divider set by SPLLCON)
- 000 = Fast RC Oscillator (FRC) divided by the FRCDIV<2:0> bits (OSCCON<26:24>)
(supports FRC / n, where n = 1, 2, 4, 8, 16, 32, 64, 256)

Note 1: If using external clock oscillator for SOSC instead of crystal, FSOSCEN bit must be set to '0' with clock oscillator input connected to SOSCO, SOSC output pin not the SOSCI input pin. This will free up the SOSCI pin for use as an extra I/O pin.

PIC32MK MCA Family

REGISTER 31-5: DEVCFG2/ADEVCFG2: DEVICE/ALTERNATE DEVICE CONFIGURATION WORD 2

Bit Range	Bit 31/23/15/7	Bit 30/22/14/6	Bit 29/21/13/5	Bit 28/20/12/4	Bit 27/19/11/3	Bit 26/18/10/2	Bit 25/17/9/1	Bit 24/16/8/0
31:24	r-1	r-1	R/P	R/P-0	R/P-0	R/P-0	R/P-0	R/P-0
	—	—	BORSEL	—	—	—	—	—
23:16	R/P-0	R/P-0	R/P-0	R/P-0	r-1	R/P	R/P	R/P
	—	—	—	—	—	FPLL0DIV<2:0>		
15:8	r-1	R/P	R/P	R/P	R/P	R/P	R/P	R/P
	—	FPLLMULT<6:0>						
7:0	R/P	R/P	R/P	R/P	r-1	R/P	R/P	R/P
	FPLLICK	FPLLRNG<2:0>			—	FPLLIDIV<2:0>		

Legend:	r = Reserved bit	P = Programmable bit
R = Readable bit	W = Writable bit	U = Unimplemented bit, read as '0'
-n = Value at POR	'1' = Bit is set	'0' = Bit is cleared
		x = Bit is unknown

bit 31-30 **Reserved:** Write as '1'

bit 29 **BORSEL:** Brown-out Reset (BOR) Select Trip Voltage bit
 1 = BOR trip voltage 2.168V (non-op amp device operation)
 0 = BOR trip voltage 2.932V (op amp device operation)

Note: The user application must select the greatest BORSEL voltage to enable the highest trip voltage possible that is still less than VDD application operating voltage.

bit 28-20 **Reserved:** Write as '0'

bit 19 **RESERVED:** Write as "1"

bit 18-16 **FPLL0DIV<2:0>:** Default System PLL Output Divisor bits

111 = PLL output divided by 32
 110 = PLL output divided by 32
 101 = PLL output divided by 32
 100 = PLL output divided by 16
 011 = PLL output divided by 8
 010 = PLL output divided by 4
 001 = PLL output divided by 2
 000 = PLL output divided by 2

bit 15 **Reserved:** Write as '1'

bit 14-8 **FPLLMULT<6:0>:** System PLL Feedback Divider bits

1111111 = Multiply by 128
 1111110 = Multiply by 127
 1111101 = Multiply by 126
 1111100 = Multiply by 125
 .
 .
 .
 0000000 = Multiply by 1

bit 7 **FPLLICK:** System PLL Input Clock Select bit

1 = FRC is selected as input to the System PLL
 0 = POSC is selected as input to the System PLL

REGISTER 31-5: DEVCFG2/ADEVCFG2: DEVICE/ALTERNATE DEVICE CONFIGURATION WORD 2 (CONTINUED)

bit 6-4 **FPLL RNG<2:0>**: System PLL Divided Input Clock Frequency Range bits

111 = Reserved
110 = Reserved
101 = 34-64 MHz
100 = 21-42 MHz
011 = 13-26 MHz
010 = 8-16 MHz
001 = 5-10 MHz
000 = Bypass

Note: Use the highest filter range that covers the input frequency to the VCO multiplier block that corresponds to the PLLIDIV output freq to minimize PLL system jitter (see [FIGURE 8-1: “DS60001690B Oscillator Diagram”](#)). For example, Crystal = 20 MHz, PLLIDIV<2:0> = `\0b1`; therefore, the filter input frequency is equal to 10 MHz and SPLLRANGE FPLL RNG<2:0> = `\0b010`.

bit 3 **Reserved:** Write as '1'

bit 2-0 **FPLLIDIV<2:0>**: PLL Input Divider bits

111 = Divide by 8
110 = Divide by 7
101 = Divide by 6
100 = Divide by 5
011 = Divide by 4
010 = Divide by 3
001 = Divide by 2
000 = Divide by 1

PIC32MK MCA Family

REGISTER 31-6: DEVCFG3/ADEVCFG3: DEVICE/ALTERNATE DEVICE CONFIGURATION WORD 3

Bit Range	Bit 31/23/15/7	Bit 30/22/14/6	Bit 29/21/13/5	Bit 28/20/12/4	Bit 27/19/11/3	Bit 26/18/10/2	Bit 25/17/9/1	Bit 24/16/8/0
31:24	r-1	r-1	R/P	R/P	R/P	r-1	r-1	r-1
	—	—	IOL1WAY	PMDL1WAY	PGL1WAY	—	—	—
23:16	r-1	r-1	r-1	R/P	r-1	r-1	r-1	r-1
	—	—	—	PWMLOCK	—	—	—	—
15:8	R/P	R/P	R/P	R/P	R/P	R/P	R/P	R/P
	USERID<15:8>							
7:0	R/P	R/P	R/P	R/P	R/P	R/P	R/P	R/P
	USERID<7:0>							

Legend:	r = Reserved bit	P = Programmable bit
R = Readable bit	W = Writable bit	U = Unimplemented bit, read as '0'
-n = Value at POR	'1' = Bit is set	'0' = Bit is cleared
		x = Bit is unknown

bit 31-30 **RESERVED:** Write as "1"

bit 29 **IOL1WAY:** Peripheral Pin Select Configuration bit

- 1 = Allow only one reconfiguration
- 0 = Allow multiple reconfigurations

bit 28 **PMDL1WAY:** Peripheral Module Disable Configuration bit

- 1 = Allow only one reconfiguration
- 0 = Allow multiple reconfigurations

bit 27 **PGL1WAY:** Permission Group Lock One Way Configuration bit

- 1 = Allow only one reconfiguration
- 0 = Allow multiple reconfigurations

bit 26-22 **Reserved:** Write as '1'

bit 21 **Reserved:** Write as '1'

bit 20 **PWMLOCK:** PWM Write Access Select bit

- 1 = Write accesses to the PWM IOCONx register are not locked or protected
- 0 = Write accesses to the PWM IOCONx register must use the PWMKEY unlock procedure

bit 19-16 **Reserved:** Write as '1'

bit 15-0 **USERID<15:0>:** This is a 16-bit value that is user-defined and is readable via ICSP™ and JTAG

PIC32MK MCA Family

REGISTER 31-7: CFGCON: CONFIGURATION CONTROL REGISTER

Bit Range	Bit 31/23/15/7	Bit 30/22/14/6	Bit 29/21/13/5	Bit 28/20/12/4	Bit 27/19/11/3	Bit 26/18/10/2	Bit 25/17/9/1	Bit 24/16/8/0
31:24	U-0	U-0	U-0	U-0	U-0	R/W-0	r-0	U-0
	—	—	—	—	—	ADCPRI ⁽¹⁾	—	—
23:16	U-0	U-0	U-0	U-0	U-0	U-0	R/W-0	R/W-0
	—	—	—	—	—	—	ICACLK ⁽¹⁾	OCACLK ⁽¹⁾
15:8	U-0	U-0	R/W-0	R/W-0	R/W-0	r-0	r-0	U-0
	—	—	IOLOCK ⁽¹⁾	PMDLOCK ⁽¹⁾	PGLOCK ⁽¹⁾	—	—	—
7:0	U-0	U-0	R/W-y	R/W-y	R/W-y	U-0	U-0	R/W-1
	IOANCPEN	—	ECCCON<1:0>		JTAGEN	—	—	TDOEN

Legend:	r = Reserved bit	y = Value set from Configuration bits on POR
R = Readable bit	W = Writable bit	U = Unimplemented bit, read as '0'
-n = Value at POR	'1' = Bit is set	'0' = Bit is cleared x = Bit is unknown

bit 31-27 **Unimplemented:** Read as '0'

bit 26 **ADCPRI:** ADC Arbitration Priority to SRAM bit⁽¹⁾

1 = ADC gets High-Priority access to SRAM

0 = ADC uses Least Recently Serviced Arbitration (same as other initiators)

bit 25 **Reserved:** Write as '0'

bit 24-18 **Unimplemented:** Read as '0'

bit 17 **ICACLK:** Input Capture Alternate Clock Selection bit⁽¹⁾

1 = Input Capture modules use an alternative Timer pair as their timebase clock

0 = All Input Capture modules use Timer2/3 as their timebase clock

bit 16 **OCACLK:** Output Compare Alternate Clock Selection bit⁽¹⁾

1 = Output Compare modules use an alternative Timer pair as their timebase clock

0 = All Output Compare modules use Timer2/3 as their timebase clock

bit 15-14 **Unimplemented:** Read as '0'

bit 13 **IOLOCK:** Peripheral Pin Select Lock bit⁽¹⁾

1 = Peripheral Pin Select is locked. Writes to PPS registers are not allowed

0 = Peripheral Pin Select is not locked. Writes to PPS registers are allowed

bit 12 **PMDLOCK:** Peripheral Module Disable bit⁽¹⁾

1 = Peripheral module is locked. Writes to PMD registers are not allowed

0 = Peripheral module is not locked. Writes to PMD registers are allowed

bit 11 **PGLOCK:** Permission Group Lock bit⁽¹⁾

1 = Permission Group registers are locked. Writes to PG registers are not allowed

0 = Permission Group registers are not locked. Writes to PG registers are allowed

bit 10-9 **Reserved:** Write as '0'

bit 8 **Unimplemented:** Read as '0'

Note 1: To change this bit, the unlock sequence must be performed. Refer to **Section 42. "Oscillators with Enhanced PLL"** (DS60001250) in the *"PIC32 Family Reference Manual"* for details.

PIC32MK MCA Family

REGISTER 31-7: CFGCON: CONFIGURATION CONTROL REGISTER (CONTINUED)

bit 7 **IOANCPEN:** I/O Analog Charge Pump Enable bit⁽¹⁾

- 1 = Charge pump is enabled
- 0 = Charge pump is disabled (default)

Note 1: For proper analog operation if VDD is less than 2.5V, the AICPMPEN bit (ADCCON1<12>) must be = 1 and the IOANCPEN bit must be set to '1'; however, the charge pumps will consume additional current. These bits should never be set if the VDD operating voltage is greater than 2.5V.

2: ADC throughput rate performance is reduced, as defined in the following table, if AICPMPEN = 1 or IOANCPEN (CFGCON<7>) = 1.

ADC0	ADC1	ADC2	ADC3	ADC4	ADC5	ADC7	Maximum Sum of Total ADC Throughputs
ON	OFF	OFF	OFF	OFF	OFF	OFF	2 Msps
ON	ON	OFF	OFF	OFF	OFF	OFF	4 Msps
ON	ON	ON	OFF	OFF	OFF	OFF	5 Msps
OFF	OFF	OFF	ON	OFF	OFF	OFF	2 Msps
OFF	OFF	OFF	ON	ON	OFF	OFF	4 Msps
OFF	OFF	OFF	ON	ON	ON	OFF	5 Msps
OFF	OFF	OFF	ON	ON	ON	ON	5 Msps
ON	ON	ON	ON	OFF	OFF	OFF	7 Msps
ON	ON	ON	ON	ON	OFF	OFF	9 Msps
ON	ON	ON	ON	ON	ON	OFF	10 Msps
ON	OFF	OFF	ON	ON	ON	ON	7 Msps
ON	ON	OFF	ON	ON	ON	ON	9 Msps
ON	ON	ON	ON	ON	ON	ON	10 Msps

bit 6 **Unimplemented:** Read/write as '0'

bit 5-4 **ECCCON<1:0>:** Flash ECC Configuration bits

- 11 = ECC and dynamic ECC are disabled (ECCCON<1:0> bits are writable)
- 10 = ECC and dynamic ECC are disabled (ECCCON<1:0> bits are locked)
- 01 = Dynamic Flash ECC is enabled (ECCCON<1:0> bits are locked)
- 00 = Flash ECC is enabled (ECCCON<1:0> bits are locked; disables word Flash writes)

Note: These bits are loaded from DEVCFG0<9:8>, (that is, FECCCON<1:0>), configuration word fuse bits on POR power on reset

bit 3 **JTAGEN:** JTAG Port Enable bit

- 1 = Enable the JTAG port
- 0 = Disable the JTAG port

Note: The reset value of this bit is the value of the JTAGEN Configuration Word setting in the DEVCFG0 register. If JTAGEN (DEVCFG0<2>) = 0, this bit cannot be set to '1' by the user application at run-time. If JTAGEN (DEVCFG0<2>) = 1, the user application may enable/disable JTAG at run-time by writing this bit to the desired value.

bit 2-1 **Unimplemented:** Read as '0'

bit 0 **TDOEN:** TDO Enable for 2-Wire JTAG

- 1 = 2-wire JTAG protocol uses TDO
- 0 = 2-wire JTAG protocol does not use TDO

Note: Implementing the JTAG protocol over the 2-wire interface requires four 2-wire clocks for each TCK if TDO is required. However, if the values shifted out TDO are predetermined, TDO can be disabled.

Note 1: To change this bit, the unlock sequence must be performed. Refer to **Section 42. "Oscillators with Enhanced PLL"** (DS60001250) in the "PIC32 Family Reference Manual" for details.

PIC32MK MCA Family

REGISTER 31-8: CFGPG: PERMISSION GROUP CONFIGURATION REGISTER

Bit Range	Bit 31/23/15/7	Bit 30/22/14/6	Bit 29/21/13/5	Bit 28/20/12/4	Bit 27/19/11/3	Bit 26/18/10/2	Bit 25/17/9/1	Bit 24/16/8/0
31:24	U-0	U-0	R/W-0	R/W-0	U-0	U-0	R/W-0	R/W-0
	—	—	JTAGPG<1:0>		—	—	ADCPG<1:0>	
23:16	R/W-0	R/W-0	U-0	U-0	U-0	U-0	U-0	U-0
	FCPG<1:0>		—	—	—	—	—	—
15:8	U-0	U-0	U-0	U-0	U-0	U-0	U-0	U-0
	—	—	—	—	—	—	—	—
7:0	U-0	U-0	R/W-0	R/W-0	R/W-0	R/W-0	R/W-0	R/W-0
	—	—	DMAPG<1:0>		CPUDSPG<1:0>		CPUPG<1:0>	

Legend:

R = Readable bit
-n = Value at POR

W = Writable bit
'1' = Bit is set

U = Unimplemented bit, read as '0'
'0' = Bit is cleared

bit 31-30 **Unimplemented:** Read as '0'

bit 29-28 **JTAGPG<1:0>**: JTAG Permission Group bits
Same definition as bits 25-24.

bit 27-26 **Unimplemented:** Read as '0'

bit 25-24 **ADCPG<1:0>**: ADC Permission bits

The Bus Initiator has access to access controlled memory regions as defined by the bus structure's permission group SFRs for RDPER and WRPER.

11 = Read access if RDPER<3> = 1; write access if WRPER<3> = 1

10 = Read access if RDPER<2> = 1; write access if WRPER<2> = 1

01 = Read access if RDPER<1> = 1; write access if WRPER<1> = 1

00 = Read access if RDPER<0> = 1; write access if WRPER<0> = 1

bit 23-22 **FCPG<1:0>**: Flash Control Permission Group bits

Same definition as bits 25-24.

bit 21-6 **Unimplemented:** Read as '0'

bit 5-4 **DMAPG<1:0>**: DMA Module Permission Group bits

Same definition as bits 25-24.

bit 3-2 **CPUDSPG<1:0>**: CPU Data Space Permission Group bits

Same definition as bits 25-24.

bit 1-0 **CPUPG<1:0>**: CPU Instruction Space Permission Group bits

Same definition as bits 25-24.

Note: CPUPG<1:0> automatically reverts to '0b00' when the CPU acknowledges entry into a NMI exception as indicated by the GNMI bit (RNMICON<19>). The effective value of CPUPG<1:0> when the CPU is in Debug Mode is controlled by the DBGPER bit in the DEVCFG0/ADEVCFG0 register. If DBGPER denies access to the Group CPUPG selects, the effective value selects Group3.

PIC32MK MCA Family

REGISTER 31-9: DEVID: DEVICE AND REVISION ID REGISTER

Bit Range	Bit 31/23/15/7	Bit 30/22/14/6	Bit 29/21/13/5	Bit 28/20/12/4	Bit 27/19/11/3	Bit 26/18/10/2	Bit 25/17/9/1	Bit 24/16/8/0
31:24	R	R	R	R	R	R	R	R
	VER<3:0> ⁽¹⁾				DEVID<27:24> ⁽¹⁾			
23:16	R	R	R	R	R	R	R	R
	DEVID<23:16> ⁽¹⁾							
15:8	R	R	R	R	R	R	R	R
	DEVID<15:8> ⁽¹⁾							
7:0	R	R	R	R	R	R	R	R
	DEVID<7:0> ⁽¹⁾							

Legend:

R = Readable bit W = Writable bit U = Unimplemented bit, read as '0'
 -n = Value at POR '1' = Bit is set '0' = Bit is cleared x = Bit is unknown

bit 31-28 **VER<3:0>**: Revision Identifier bits⁽¹⁾

bit 27-0 **DEVID<27:0>**: Device ID⁽¹⁾

Note 1: See the "PIC32 Flash Programming Specification" (DS60001145) for a list of Revision and Device ID values.

REGISTER 31-10: DEVADCx: DEVICE ADC CALIBRATION REGISTER 'x' ('x' = 0-5, 7)

Bit Range	Bit 31/23/15/7	Bit 30/22/14/6	Bit 29/21/13/5	Bit 28/20/12/4	Bit 27/19/11/3	Bit 26/18/10/2	Bit 25/17/9/1	Bit 24/16/8/0
31:24	R	R	R	R	R	R	R	R
	ADCAL<31:24>							
23:16	R	R	R	R	R	R	R	R
	ADCAL<23:16>							
15:8	R	R	R	R	R	R	R	R
	ADCAL<15:8>							
7:0	R	R	R	R	R	R	R	R
	ADCAL<7:0>							

Legend:

R = Readable bit W = Writable bit U = Unimplemented bit, read as '0'
 -n = Value at POR '1' = Bit is set '0' = Bit is cleared x = Bit is unknown

bit 31-0 **ADCAL<31:0>**: Calibration Data for the ADC Module bits

Before enabling the ADC, the user application must initialize the ADC calibration values by copying them from the factory programmed DEVADCx Flash locations starting at 0xBFC45000 into the ADCxCFG registers starting at 0xBF887D00, respectively. Refer to [23.0 "12-bit High-Speed Successive Approximation Register \(SAR\) Analog-to-Digital Converter \(ADC\)"](#) for more information.

PIC32MK MCA Family

REGISTER 31-11: DEVSNx: DEVICE SERIAL NUMBER REGISTER 'x' ('x' = 0-3)

Bit Range	Bit 31/23/15/7	Bit 30/22/14/6	Bit 29/21/13/5	Bit 28/20/12/4	Bit 27/19/11/3	Bit 26/18/10/2	Bit 25/17/9/1	Bit 24/16/8/0
31:24	R	R	R	R	R	R	R	R
	SN<31:24>							
23:16	R	R	R	R	R	R	R	R
	SN<23:16>							
15:8	R	R	R	R	R	R	R	R
	SN<15:8>							
7:0	R	R	R	R	R	R	R	R
	SN<7:0>							

Legend:

R = Readable bit

W = Writable bit

U = Unimplemented bit, read as '0'

-n = Value at POR

'1' = Bit is set

'0' = Bit is cleared

x = Bit is unknown

bit 31-0 **SN<31:0>**: Device Unique Serial Number bits

These registers contain a value, programmed during factory production test, that is unique to each unit and are user read only. These values are persistent and not erased even when a new application code is programmed into the device. These values can be used if desired as an encryption key in combination with the Microchip encryption library.

PIC32MK MCA Family

31.3 On-Chip Voltage Regulator

The core and digital logic for all PIC32MK MCA Family of devices are designed to operate at a nominal 1.2V. To simplify system designs, devices in the DS60001690B incorporate an on-chip regulator providing the required core logic voltage from VDD.

31.3.1 ON-CHIP REGULATOR AND POR

It takes a fixed delay for the on-chip regulator to generate an output. During this time, designated as TPU, code execution is disabled. TPU is applied every time the device resumes operation after any power-down, including Sleep mode.

31.3.2 ON-CHIP REGULATOR AND BOR

The PIC32MK MCA Family of devices also have a simple brown-out capability. If the voltage supplied to the regulator is inadequate to maintain a regulated level, the regulator Reset circuitry will generate a Brown-out Reset. This event is captured by the BOR flag bit (RCON<1>). The brown-out voltage levels are specific in [35.1 “DC Characteristics”](#).

31.4 On-chip Temperature Sensor

The PIC32MK MCA Family of devices include a temperature sensor that provides accurate measurement of a device's junction temperature (see [35.2 “AC Characteristics and Timing Parameters”](#) for more information).

The temperature sensor is connected to the ADC module and can be measured using the shared S&H circuit (see [23.0 “12-bit High-Speed Successive Approximation Register \(SAR\) Analog-to-Digital Converter \(ADC\)”](#) for more information).

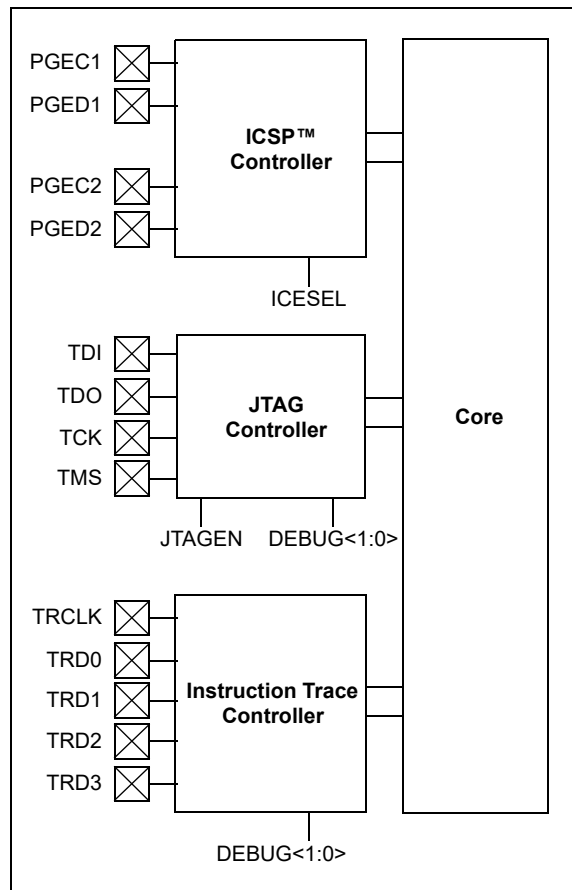
31.5 Programming and Diagnostics

The PIC32MK MCA Family of devices provide a complete range of programming and diagnostic features that can increase the flexibility of any application using them. These features allow system designers to include:

- Simplified field programmability using two-wire In-Circuit Serial Programming™ (ICSP™) interfaces
- Debugging using ICSP
- Programming and debugging capabilities using the EJTAG extension of JTAG
- JTAG boundary scan testing for device and board diagnostics

The PIC32MK MCA Family devices incorporate two programming and diagnostic modules, and a trace controller, that provide a range of functions to the application developer.

FIGURE 31-1: BLOCK DIAGRAM OF PROGRAMMING, DEBUGGING AND TRACE PORTS



NOTES:

PIC32MK MCA Family

32.0 INSTRUCTION SET

The PIC32MK MCA Family instruction set complies with the MIPS32[®] Release 5 instruction set architecture. The PIC32MK MCA Family of devices *does not* support the following features:

- Core extend instructions
- Coprocessor 1 instructions
- Coprocessor 2 instructions

Note: Refer to “MIPS32[®] Architecture for Programmers Volume II: The MIPS32[®] Instruction Set” at www.imgtec.com for more information.

NOTES:

PIC32MK MCA Family

PIC32MK MCA Family

33.0 MIGRATION GUIDE

TABLE 33-1: PIC32MKxxxxGPG/MCJxxx TO PIC32MKxxxxMCAxxx MIGRATION REFERENCE

Feature	PIC32MKxxxxGPG/ MCJxxx	PIC32MKxxxxMCAxxx	48-pin PIC32MKxxxxMCJxxx to 48-pin PIC32MKxxxxMCAxxx Migration Impact	
			Hardware	Software
Pin#	64/48	48/32/28	-	X
IO#	53 (64-pin), 37 (48-pin)	37 (48-pin), 24 (32-pin), 20 (28-pin)	-	X
CPU	MIPS32® M14KE Core @ 120 MHz	MIPS32® M14KE Core @ 120 MHz	-	-
Shadow Register Set	8	8	-	-
Configuration Word Registers	5	5	-	-
Flash	512 KB/256 KB with ECC	128 KB with ECC	-	X
SRAM	64 KB	32 KB	-	X ⁽¹⁾
Oscillator	POSC w/AGC and Fine Gain, SOSC, BFRC (Backup FRC)	POSC w/AGC and Fine Gain, SOSC, BFRC (Backup FRC)	-	-
Configuration Word Registers	5	5	-	-
DMA	8/1	8/1	-	-
Timer 1 (Type A)	1	1	-	-
32-bit Timers (Type B)	8	4	-	X ⁽¹⁾
Watch Dog Timer	1	1	-	-
Dead Man Timer	1	1	-	-
Input Capture	8	4	X ⁽¹⁾	X ⁽¹⁾
Output Compare	8	4	X ⁽¹⁾	X ⁽¹⁾
SPI	2	2	-	-
I2C	2	2	-	-
UART	2	2	-	-
RTCC	1	1	-	-
ADC Modules	7	3	X ⁽¹⁾	X ⁽¹⁾
ADC Channels	30 (64-pin), 18 (48-pin)	18 (48-pin), 12 (32-pin), 10 (28-pin)	X ⁽¹⁾	X ⁽¹⁾
Capacitive Voltage Divider Module (Touch Enhancement)	Present	Not Present	X ⁽¹⁾	X ⁽¹⁾

PIC32MK MCA Family

TABLE 33-1: PIC32MKxxxxGPG/MCJxxx TO PIC32MKxxxxMCAxxx MIGRATION REFERENCE

Feature	PIC32MKxxxxGPG/ MCJxxx	PIC32MKxxxxMCAxxx	48-pin PIC32MKxxxxMCJxxx to 48-pin PIC32MKxxxxMCAxxx Migration Impact	
			Hardware	Software
ADC Digital Filter	4	2	-	X ⁽¹⁾
ADC Digital Comparator	4	2	-	X ⁽¹⁾
OPAMP	4	3	X ⁽¹⁾	X ⁽¹⁾
Comparators	5	3	X ⁽¹⁾	X ⁽¹⁾
DAC	2	1	X ⁽¹⁾	X ⁽¹⁾
Low Voltage Detect	1	1	-	-
CTMU	1	1	-	-
PMD (Peripheral Module Disable)	Yes	Yes	-	-
JTAG	Yes	Yes	-	-
TRACE	Yes	No	X ⁽¹⁾	X ⁽¹⁾
PGCx/PGDx (Debug)	3	3	-	-

Note 1: This is only affected if the user application is using any additional modules, peripheral functions, peripheral pin function, or features on the PIC32MKxxxxMCJ048 that the PIC32MK0128MCA048 does not possess (see [Table 33-2](#) for more information).

PIC32MK MCA Family

TABLE 33-2: 48 PIN PIC32MKxxxxGPG/MCJxxx TO PIC32MKxxxxMCAxxx FUNCTION MIGRATION MISMATCHES

PIC32MK0128MCA048	Pin Function Match	Mismatch Pin Function	Mismatch Peripheral	Comments
RPA7 / PWML4 / RA7	No	TCK	JTAG	
RPB14 / PWMH1 / RB14	Yes	-	-	
RPB15 / PWML1 / RB15	Yes	-	-	
MCLR	Yes	-	-	
VSS	Yes	-	-	
VDD	Yes	-	-	
AN11 / C1IN4- / RPA12 / FLT13 / RA12	No	CVDx, ANx, CxINy-	ADC, Comparator	Functional compatibility for Analog Input
AN10 / C2IN4- / RPA11 / FLT14 / RA11	No	CVDx, ANx, CxINy-	ADC, Comparator	Functional compatibility for Analog Input
OA2OUT / AN0 / C2IN2- / RPA0 / RA0	No	CxINy-	Comparator	Functional compatibility for Comparator
OA2IN+ / AN1 / C2IN1+ / C2IN3- / RPA1 / RA1	Yes	-	-	
PGD3 / VREF- / OA2IN- / AN2 / C2IN1- / RPB0 / CTED2 / RB0	Yes	-	-	
PGC3/OA1OUT / VREF+ / AN3 / C1IN2- / RPB1 / CTED1 / RB1	No	CxINy-	Comparator	Functional compatibility for Comparator
PGC1/OA1IN+ / AN4 / C1IN1+ / C1IN3- / RPB2 / RB2	No	CxINy-	Comparator	Functional compatibility for Comparator
PGD1/OA1IN- / AN5 / CTCMP / C1IN1- / RTCC / RPB3 / RB3	Yes	-	-	
AVDD	Yes	-	-	
AVSS	Yes	-	-	
OA3OUT / AN6 / C3IN2- / RPC0 / RC0	No	CxINy+, CxINy-	Comparator	Functional compatibility for Comparator Negative input
OA3IN- / AN7 / C3IN1- / RPC1 / RC1	No	CVDx, CxINy-	ADC, Comparator	Functional compatibility for Analog Input and Comparator
OA3IN+ / AN8 / C3IN1+ / C3IN3- / RPC2 / FLT3 / RC2	No	CVDx	ADC	
AN9 / C3IN4- / FLT4 / RC11	No	CVDx, CxINy-	ADC, Comparator	Functional compatibility for Analog Input and Comparator

PIC32MK MCA Family

TABLE 33-2: 48 PIN PIC32MKxxxxGPG/MCJxxx TO PIC32MKxxxxMCAxxx FUNCTION MIGRATION MISMATCHES (CONTINUED)

PIC32MK0128MCA048	Pin Function Match	Mismatch Pin Function	Mismatch Peripheral	Comments
VSS	Yes	-	-	
VDD	Yes	-	-	
DAC1/ AN12 / RPA8 / SDA2 / RA8	No	TDI, ANx,CVDx, DACx	JTAG, DAC, ADC	Functional compatibility for DAC and Analog input
TDI / FLT15 / RPB4 / SCL2 / RB4	No	TDI	JTAG	
AN13 / RPA4 / T1G / RA4	No	OAxIN+, ANx,CVDx, CxINy-	Opamp, Comparator, ADC	Functional compatibility for Analog input
VDD	Yes	-	-	
OSCI/CLKI / AN17 / RPC12 / RC12	No	ANx	ADC	Functional compatibility for Analog input
OSCO / CLKO / RPC15 / RC15	Yes	-	-	
VSS	Yes	-	-	
RPD8 / RD8	No	RPx	Ports	Backward compatible with PIC32MKxxxxMCJ048
PGD2/ RPB5 / SDA1 / RB5	Yes	-	-	
PGC2/RPB6 / SCL1 / RB6	Yes	-	-	
AN14 / RPC10 / RC10	No	DACx, ANx, CVDx	DAC, ADC	Functional compatibility for DAC and Analog input
AN15 / RPB7 / SCK1 / INT0 / RB7	No	OAxOUT, ANx,CxINy -	Opamp, Comparator, ADC	Functional compatibility for Analog input
SOSCI / RPC13 / RC13 (5)	Yes	-	-	
SOSCO / RPB8 / T1CK / RB8 (5)	Yes	-	-	
TMS / AN16 / LVDIN / RPB9 / RB9	No	OAxIN-, CxINy-, ANx	Opamp, Comparator, ADC	Functional compatibility for Analog input
RPC6 / RC6	No	PWMx	MCPWM	
RPC7 / RC7	No	PWMx	MCPWM	
RPC8 / RC8	No	PWMx	MCPWM	
RPC9 / RC9	No	PWMx	MCPWM	
VSS	Yes	-	-	
VDD	Yes	-	-	
TDO / RPB10 / PWMH3 / RB10	No	TDO	JTAG	
TCK / RPB11 / PWML3 / RB11	No	TCK	JTAG	
RPB12 / PWMH2 / RB12	Yes	-	-	
RPB13 / PWML2 / CTPLS / RB13	Yes	-	-	
PWMH4 / RA10	No	TDO	JTAG	

34.0 DEVELOPMENT SUPPORT

The PIC[®] microcontrollers (MCU) and dsPIC[®] digital signal controllers (DSC) are supported with a full range of software and hardware development tools:

- Integrated Development Environment
 - MPLAB[®] X IDE Software
- Compilers/Assemblers/Linkers
 - MPLAB XC Compiler
 - MPASM[™] Assembler
 - MPLINK[™] Object Linker/
MPLIB[™] Object Librarian
 - MPLAB Assembler/Linker/Librarian for
Various Device Families
- Simulators
 - MPLAB X SIM Software Simulator
- Emulators
 - MPLAB REAL ICE[™] In-Circuit Emulator
- In-Circuit Debuggers/Programmers
 - MPLAB ICD 3
 - PICKit[™] 3
- Device Programmers
 - MPLAB PM3 Device Programmer
- Low-Cost Demonstration/Development Boards,
Evaluation Kits and Starter Kits
- Third-party development tools

34.1 MPLAB X Integrated Development Environment Software

The MPLAB X IDE is a single, unified graphical user interface for Microchip and third-party software, and hardware development tool that runs on Windows[®], Linux and Mac OS[®] X. Based on the NetBeans IDE, MPLAB X IDE is an entirely new IDE with a host of free software components and plug-ins for high-performance application development and debugging. Moving between tools and upgrading from software simulators to hardware debugging and programming tools is simple with the seamless user interface.

With complete project management, visual call graphs, a configurable watch window and a feature-rich editor that includes code completion and context menus, MPLAB X IDE is flexible and friendly enough for new users. With the ability to support multiple tools on multiple projects with simultaneous debugging, MPLAB X IDE is also suitable for the needs of experienced users.

Feature-Rich Editor:

- Color syntax highlighting
- Smart code completion makes suggestions and provides hints as you type
- Automatic code formatting based on user-defined rules
- Live parsing

User-Friendly, Customizable Interface:

- Fully customizable interface: toolbars, toolbar buttons, windows, window placement, etc.
- Call graph window

Project-Based Workspaces:

- Multiple projects
- Multiple tools
- Multiple configurations
- Simultaneous debugging sessions

File History and Bug Tracking:

- Local file history feature
- Built-in support for Bugzilla issue tracker

PIC32MK MCA Family

34.2 MPLAB XC Compilers

The MPLAB XC Compilers are complete ANSI C compilers for all of Microchip's 8, 16, and 32-bit MCU and DSC devices. These compilers provide powerful integration capabilities, superior code optimization and ease of use. MPLAB XC Compilers run on Windows, Linux or MAC OS X.

For easy source level debugging, the compilers provide debug information that is optimized to the MPLAB X IDE.

The free MPLAB XC Compiler editions support all devices and commands, with no time or memory restrictions, and offer sufficient code optimization for most applications.

MPLAB XC Compilers include an assembler, linker and utilities. The assembler generates relocatable object files that can then be archived or linked with other relocatable object files and archives to create an executable file. MPLAB XC Compiler uses the assembler to produce its object file. Notable features of the assembler include:

- Support for the entire device instruction set
- Support for fixed-point and floating-point data
- Command-line interface
- Rich directive set
- Flexible macro language
- MPLAB X IDE compatibility

34.3 MPASM Assembler

The MPASM Assembler is a full-featured, universal macro assembler for PIC10/12/16/18 MCUs.

The MPASM Assembler generates relocatable object files for the MPLINK Object Linker, Intel® standard HEX files, MAP files to detail memory usage and symbol reference, absolute LST files that contain source lines and generated machine code, and COFF files for debugging.

The MPASM Assembler features include:

- Integration into MPLAB X IDE projects
- User-defined macros to streamline assembly code
- Conditional assembly for multipurpose source files
- Directives that allow complete control over the assembly process

34.4 MPLINK Object Linker/ MPLIB Object Librarian

The MPLINK Object Linker combines relocatable objects created by the MPASM Assembler. It can link relocatable objects from precompiled libraries, using directives from a linker script.

The MPLIB Object Librarian manages the creation and modification of library files of precompiled code. When a routine from a library is called from a source file, only the modules that contain that routine will be linked in with the application. This allows large libraries to be used efficiently in many different applications.

The object linker/library features include:

- Efficient linking of single libraries instead of many smaller files
- Enhanced code maintainability by grouping related modules together
- Flexible creation of libraries with easy module listing, replacement, deletion and extraction

34.5 MPLAB Assembler, Linker and Librarian for Various Device Families

MPLAB Assembler produces relocatable machine code from symbolic assembly language for PIC24, PIC32 and dsPIC DSC devices. MPLAB XC Compiler uses the assembler to produce its object file. The assembler generates relocatable object files that can then be archived or linked with other relocatable object files and archives to create an executable file. Notable features of the assembler include:

- Support for the entire device instruction set
- Support for fixed-point and floating-point data
- Command-line interface
- Rich directive set
- Flexible macro language
- MPLAB X IDE compatibility

34.6 MPLAB X SIM Software Simulator

The MPLAB X SIM Software Simulator allows code development in a PC-hosted environment by simulating the PIC MCUs and dsPIC DSCs on an instruction level. On any given instruction, the data areas can be examined or modified and stimuli can be applied from a comprehensive stimulus controller. Registers can be logged to files for further run-time analysis. The trace buffer and logic analyzer display extend the power of the simulator to record and track program execution, actions on I/O, most peripherals and internal registers.

The MPLAB X SIM Software Simulator fully supports symbolic debugging using the MPLAB XC Compilers, and the MPASM and MPLAB Assemblers. The software simulator offers the flexibility to develop and debug code outside of the hardware laboratory environment, making it an excellent, economical software development tool.

34.7 MPLAB REAL ICE In-Circuit Emulator System

The MPLAB REAL ICE In-Circuit Emulator System is Microchip's next generation high-speed emulator for Microchip Flash DSC and MCU devices. It debugs and programs all 8, 16 and 32-bit MCU, and DSC devices with the easy-to-use, powerful graphical user interface of the MPLAB X IDE.

The emulator is connected to the design engineer's PC using a high-speed USB 2.0 interface and is connected to the target with either a connector compatible with in-circuit debugger systems (RJ-11) or with the new high-speed, noise tolerant, Low-Voltage Differential Signal (LVDS) interconnection (CAT5).

The emulator is field upgradable through future firmware downloads in MPLAB X IDE. MPLAB REAL ICE offers significant advantages over competitive emulators including full-speed emulation, run-time variable watches, trace analysis, complex breakpoints, logic probes, a ruggedized probe interface and long (up to three meters) interconnection cables.

34.8 MPLAB ICD 3 In-Circuit Debugger System

The MPLAB ICD 3 In-Circuit Debugger System is Microchip's most cost-effective, high-speed hardware debugger/programmer for Microchip Flash DSC and MCU devices. It debugs and programs PIC Flash microcontrollers and dsPIC DSCs with the powerful, yet easy-to-use graphical user interface of the MPLAB IDE.

The MPLAB ICD 3 In-Circuit Debugger probe is connected to the design engineer's PC using a high-speed USB 2.0 interface and is connected to the target with a connector compatible with the MPLAB ICD 2 or MPLAB REAL ICE systems (RJ-11). MPLAB ICD 3 supports all MPLAB ICD 2 headers.

34.9 PICKit 3 In-Circuit Debugger/Programmer

The MPLAB PICKit 3 allows debugging and programming of PIC and dsPIC Flash microcontrollers at a most affordable price point using the powerful graphical user interface of the MPLAB IDE. The MPLAB PICKit 3 is connected to the design engineer's PC using a full-speed USB interface and can be connected to the target via a Microchip debug (RJ-11) connector (compatible with MPLAB ICD 3 and MPLAB REAL ICE). The connector uses two device I/O pins and the Reset line to implement in-circuit debugging and In-Circuit Serial Programming™ (ICSP™).

34.10 MPLAB PM3 Device Programmer

The MPLAB PM3 Device Programmer is a universal, CE compliant device programmer with programmable voltage verification at VDDMIN and VDDMAX for maximum reliability. It features a large LCD display (128 x 64) for menus and error messages, and a modular, detachable socket assembly to support various package types. The ICSP cable assembly is included as a standard item. In Stand-Alone mode, the MPLAB PM3 Device Programmer can read, verify and program PIC devices without a PC connection. It can also set code protection in this mode. The MPLAB PM3 connects to the host PC via an RS-232 or USB cable. The MPLAB PM3 has high-speed communications and optimized algorithms for quick programming of large memory devices, and incorporates an MMC card for file storage and data applications.

PIC32MK MCA Family

34.11 Demonstration/Development Boards, Evaluation Kits, and Starter Kits

A wide variety of demonstration, development and evaluation boards for various PIC MCUs and dsPIC DSCs allows quick application development on fully functional systems. Most boards include prototyping areas for adding custom circuitry and provide application firmware and source code for examination and modification.

The boards support a variety of features, including LEDs, temperature sensors, switches, speakers, RS-232 interfaces, LCD displays, potentiometers and additional EEPROM memory.

The demonstration and development boards can be used in teaching environments, for prototyping custom circuits and for learning about various microcontroller applications.

In addition to the PICDEM™ and dsPICDEM™ demonstration/development board series of circuits, Microchip has a line of evaluation kits and demonstration software for analog filter design, KEELOQ® security ICs, CAN, IrDA®, PowerSmart battery management, SEEVAL® evaluation system, Sigma-Delta ADC, flow rate sensing, plus many more.

Also available are starter kits that contain everything needed to experience the specified device. This usually includes a single application and debug capability, all on one board.

Check the Microchip web page (www.microchip.com) for the complete list of demonstration, development and evaluation kits.

34.12 Third-Party Development Tools

Microchip also offers a great collection of tools from third-party vendors. These tools are carefully selected to offer good value and unique functionality.

- Device Programmers and Gang Programmers from companies, such as SoftLog and CCS
- Software Tools from companies, such as Gimpel and Trace Systems
- Protocol Analyzers from companies, such as Saleae and Total Phase
- Demonstration Boards from companies, such as MikroElektronika, Digilent® and Olimex
- Embedded Ethernet Solutions from companies, such as EZ Web Lynx, WIZnet and IPLogika®

35.0 ELECTRICAL CHARACTERISTICS

This section provides an overview of the PIC32MK MCA Family electrical characteristics. Additional information will be provided in future revisions of this document as it becomes available.

Absolute maximum ratings for the PIC32MK MCA Family devices are listed below. Exposure to these maximum rating conditions for extended periods may affect device reliability. Functional operation of the device at these or any other conditions, above the parameters indicated in the operation listings of this specification, is not implied.

Absolute Maximum Ratings

(See Note 1)

Ambient temperature under bias	<-40°C to +125°C
Storage temperature	-65°C to +150°C
Voltage on VDD with respect to VSS	-0.3V to +4.0V
Voltage on any pin that is not 5V tolerant, with respect to VSS (Note 3).....	-0.3V to (VDD +0.3V)
Voltage on any 5V tolerant pin with respect to VSS when VDD ≥ 2.3V (Note 3).....	-0.3V to +5.5V
Voltage on any 5V tolerant pin with respect to VSS when VDD < 2.3V (Note 3).....	-0.3V to +3.6V
Voltage on VBUS with respect to VSS	-0.3V to +5.5V
Maximum current out of VSS pin(s).....	200 mA
Maximum current into VDD pin(s) (Note 2).....	200 mA
Maximum current sunk/sourced by any 4x I/O pin (Note 4).....	15 mA
Maximum current sunk/sourced by any 8x I/O pin (Note 4).....	25 mA
Maximum current sunk by all ports	150 mA
Maximum current sourced by all ports (Note 2).....	150 mA
Maximum junction temperature.....	-40°C to +140°C

ESD qualification:

Human Body Model (HBM) per JESD22-A114.....	2000 V
Machine Model (MM) per JESD22-A115.....	200 V
Charged Device Model (CDM) AEC Q100-011 (ANSI/ESD STM 5.3.1)(Middle / Corner pins).....	500 / 750 V

- Note 1:** Stresses above those listed under “**Absolute Maximum Ratings**” may cause permanent damage to the device. This is a stress rating only and functional operation of the device at those or any other conditions, above those indicated in the operation listings of this specification, is not implied. Exposure to maximum rating conditions for extended periods may affect device reliability.
- 2:** Maximum allowable current is a function of device maximum power dissipation (see [Table 35-2](#)).
- 3:** See the pin name tables ([Table 2](#) and [Table 4](#)) for the 5V tolerant pins.
- 4:** Characterized, but not tested. Refer to parameters [DO10](#), [DO20](#), and [DO20a](#) for the 4x and 8x I/O pin lists.

PIC32MK MCA Family

35.1 DC Characteristics

TABLE 35-1: OPERATING MIPS VERSUS VOLTAGE

Characteristic	VDD Range (in Volts) (Note 1)	Temp. Range (in °C)	Max. Frequency	Comment
			DS60001690B Devices	
DC5a	2.3V-3.6V (1,2)	-40°C to +85°C	120 MHz	Industrial
DC5b	3.0 V-3.6V (1,3)			
DC5c	2.3V-3.6V (1,2)	-40°C to +125°C	80 MHz	Extended
DC5d	3.0V-3.6V (1,3)			

Note 1: Overall functional device operation at $V_{BORMIN} < V_{DD} < V_{DDMIN}$ is guaranteed, but not characterized. All device analog modules, such as ADC, etc., will function, but with degraded performance below V_{DDMIN} . Refer to parameter BO10 in [Table 35-5](#) for BOR values.

2: If $DEVCFG2<BORSEL> = 1$ (Set to "1" if op amps are not being utilized in application, $V_{DD} (min) = 2.3v$).

3: If $DEVCFG2<BORSEL> = 0$ (Required if op amps are being utilized in application, $V_{DD} (min) = 3.0v$).

TABLE 35-2: THERMAL OPERATING CONDITIONS

Rating	Symbol	Min.	Typ.	Max.	Unit
Industrial Temperature Devices					
Junction Temperature Range ⁽¹⁾	TJ	(1)	—	(1)	°C
Operating Ambient Temperature Range	TA	-40	—	+85	°C
Extended Temperature Devices					
Junction Temperature Range ⁽¹⁾	TJ	(1)	—	(1)	°C
Operating Ambient Temperature Range	TA	-40	—	+125	°C
Power Dissipation: Internal Chip Power Dissipation: $P_{INT} = V_{DD} \times (I_{DD} - \Sigma I_{OH})$ I/O Pin Power Dissipation: $P_{I/O} = \Sigma ((V_{DD} - V_{OH}) \times I_{OH}) + (V_{OL} \times I_{OL})$	PD	PINT + PI/O			W
Maximum Allowed Power Dissipation	PDMAX	$(T_J - T_A) / \theta_{JA}$			W

Note 1: See [Absolute Maximum Ratings](#).

TABLE 35-3: THERMAL PACKAGING CHARACTERISTICS

Characteristics	Symbol	Typ.	Max.	Unit	Notes
Package Thermal Resistance, 48-pin VQFN (6x6x0.9 mm)	θ_{JA}	28.1	—	°C/W	1
Package Thermal Resistance, 48-pin TQFP (7x7x1 mm)	θ_{JA}	58.6	—	°C/W	1
Package Thermal Resistance, 32-pin VQFN (5x5x1 mm)	θ_{JA}	31.79	—	°C/W	1
Package Thermal Resistance, 28-pin SSOP (5.3x10.2x2 mm)	θ_{JA}	67.1	—	°C/W	1

Note 1: Junction to ambient thermal resistance, Theta-JA (θ_{JA}) numbers are achieved by package simulations.

PIC32MK MCA Family

TABLE 35-4: DC TEMPERATURE AND VOLTAGE SPECIFICATIONS

DC CHARACTERISTICS			Standard Operating Conditions: 2.3V to 3.6V (unless otherwise stated) Operating temperature $-40^{\circ}\text{C} \leq T_A \leq +85^{\circ}\text{C}$ for Industrial $-40^{\circ}\text{C} \leq T_A \leq +125^{\circ}\text{C}$ for Extended				
Param. No.	Symbol	Characteristics	Min.	Typ.	Max.	Units	Conditions
Operating Voltage							
DC10a	VDD(1,4)	Supply Voltage	2.3	—	3.6	V	DEVCFG2<BORSEL> = 1
DC10b	VDD(1,5)		3.0	—	3.6	V	DEVCFG2<BORSEL> = 0
DC12	VDR	RAM Data Retention Voltage (Note 2)	1.75	—	—	V	—
DC16	VPOR	VDD Start Voltage to Ensure Internal Power-on Reset Signal (Note 3)	—	—	V _{SS} + 0.3V	V	Non-compliance can cause indeterminate behavior and/or start-up issues
DC17	SVDD	VDD Rise Rate to Ensure Internal Power-on Reset Signal	0.000011	—	0.33	V/ μs	300 ms to 10 μs

- Note 1:** Overall functional device operation at $V_{BORMIN} < V_{DD} < V_{DDMIN}$ is guaranteed, but not characterized. All device Analog modules, such as ADC etc., will function, but with degraded performance below V_{DDMIN} . Refer to parameter BO10 in [Table 35-5](#) for BOR values.
- 2:** This is the limit to which V_{DD} can be lowered without losing RAM data.
- 3:** This is the limit to which V_{DD} must be lowered to ensure Power-on Reset.
- 4:** If $DEVCFG2<BORSEL> = 1$, (Set to "1" if op amps are not being utilized in application, $V_{DD}(\text{min}) = 2.3\text{v}$)
- 5:** If $DEVCFG2<BORSEL> = 0$ (Required if op amps are being utilized in application, $V_{DD}(\text{min}) = 3.0\text{v}$)

TABLE 35-5: ELECTRICAL CHARACTERISTICS: BOR

DC CHARACTERISTICS			Standard Operating Conditions: 2.3V to 3.6V (unless otherwise stated) Operating temperature $-40^{\circ}\text{C} \leq T_A \leq +85^{\circ}\text{C}$ for Industrial $-40^{\circ}\text{C} \leq T_A \leq +125^{\circ}\text{C}$ for Extended				
Param. No.	Symbol	Characteristics	Min. ⁽¹⁾	Typ.	Max.	Units	Conditions
BO10a	VBOR	BOR Event on V_{DD} transition high-to-low (Note 2)	2.638	—	2.942	V	DEVCFG2<BORSEL> = 0
			1.928	—	2.172	V	DEVCFG2<BORSEL> = 1

- Note 1:** Parameters are for design guidance only and are not tested in manufacturing.
- 2:** Overall functional device operation at $V_{BORMIN} < V_{DD} < V_{DDMIN}$ is tested, but not characterized. All device Analog modules, such as ADC, etc., will function, but with degraded performance below V_{DDMIN} .

PIC32MK MCA Family

TABLE 35-6: DC CHARACTERISTICS: OPERATING CURRENT (IDD RUN CURRENT WITH PERIPHERAL CLOCKS ENABLED)^(1,2)

DC CHARACTERISTICS			Standard Operating Conditions: 2.3V to 3.6V (unless otherwise stated) Operating temperature -40°C ≤ TA ≤ +85°C for Industrial -40°C ≤ TA ≤ +125°C for Extended	
Parameter No.	Typical ^(3,4)	Maximum	Units	Conditions
Operating Current (IDD Run Current With Peripheral Clocks Enabled) (Note 1,2)				
DC20	3.4	28	mA	4 MHz (Note 2,4)
DC21	5.4	31	mA	10 MHz (Note 2,4)
DC22	18.7	43	mA	60 MHz (Note 2,4)
DC23	24.4	49	mA	80 MHz (Note 2)
DC25	36	60	mA	120 MHz (Note 2)
Operating Current (IDD CPU Only Run Current With Peripheral Clocks Disabled) (Note 1,2)				
DC20A	2.9	28	mA	4 MHz (Note 4,5)
DC21A	4	30	mA	10 MHz (Note 4,5)
DC22A	13	39	mA	60 MHz (Note 4,5)
DC23A	17	43	mA	80 MHz (Note 4,5)
DC25A	25	51	mA	120 MHz (Note 4,5)

Note 1: A device's IDD supply current is mainly a function of the operating voltage and frequency. Other factors, such as Peripheral Bus Clock (PBCLK) frequency, number of peripheral modules enabled, internal code execution pattern, I/O pin loading and switching rate, oscillator type, as well as temperature, can have an impact on the current consumption.

2: The test conditions for IDD measurements are as follows:

- Oscillator mode is EC (for 8 MHz and below) and EC+PLL (for above 8 MHz) with OSC1 driven by external square wave from rail-to-rail, (OSC1 input clock input over/undershoot < 100 mV required)
- OSC2/CLKO is configured as an I/O input pin
- PBCLKx divisor = 1:2 ('x' = 1,6), PBCLK6 = 1:4, PBCLK1 = 1:1
- CPU, Program Flash, and SRAM data memory are operational, Program Flash memory Wait states are equal to seven (default)
- Prefetch module is enabled
- No peripheral modules are operating, (ON bit = 0), and the associated PMD bit is '0' (clocks enabled)
- WDT, DMT, Clock Switching, Fail-Safe Clock Monitor, and Secondary Oscillator are disabled
- All I/O pins are configured as inputs and pulled to Vss
- MCLR = VDD
- CPU executing `while(1)` statement from Flash
- RTCC and JTAG are disabled

3: Data in the "Typical" column is at 3.3V, +25°C at specified operating frequency unless otherwise stated. Parameters are for design guidance only and are not tested.

4: This parameter is characterized, but not tested in manufacturing.

5: Note 2 applies with the following exceptions:

- Prefetch disabled
- Prefetch cache disabled
- PMDx = 1 (all bits set)
- PB2, 4, 5, 6 = OFF
- PB1 = 1:128

PIC32MK MCA Family

TABLE 35-7: DC CHARACTERISTICS: IDLE CURRENT (IDLE)

DC CHARACTERISTICS			Standard Operating Conditions: 2.3V to 3.6V (unless otherwise stated) Operating temperature -40°C ≤ TA ≤ +85°C for Industrial -40°C ≤ TA ≤ +125°C for Extended	
Parameter No.	Typical ^(2, 3)	Maximum	Units	Conditions
Idle Current (IDLE): Core Off, Clock on Base Current (Note 1)				
DC30a	2.7	27	mA	4 MHz (Note 3)
DC31a	3.7	29	mA	10 MHz
DC32a	11	35	mA	60 MHz (Note 3)
DC33a	17	43	mA	120 MHz

Note 1: The test conditions for IDLE current measurements are as follows:

- Oscillator mode is EC (for 8 MHz and below) and EC+PLL (for above 8 MHz) with OSC1 driven by external square wave from rail-to-rail, (OSC1 input clock input over/undershoot < 100 mV required)
 - OSC2/CLKO is configured as an I/O input pin
 - PBCLKx divisor = 1:2 ('x' ≠ 1,6,7), PBCLK6 = 1:4, PBCLK1 = 1:1
 - CPU is in Idle mode (CPU core Halted)
 - Prefetch module is disabled
 - No peripheral modules are operating, (ON bit = 0), and the associated PMD bit is '0' (i.e., clocks enabled)
 - WDT, DMT, Clock Switching, Fail-Safe Clock Monitor, and Secondary Oscillator are disabled
 - All I/O pins are configured as inputs and pulled to Vss
 - $\overline{MCLR} = V_{DD}$
 - RTCC and JTAG are disabled
- 2:** Data in the "Typical" column is at 3.3V, +25°C unless otherwise stated. Parameters are for design guidance only and are not tested.
- 3:** This parameter is characterized, but not tested in manufacturing.

PIC32MK MCA Family

TABLE 35-8: DC CHARACTERISTICS: POWER-DOWN CURRENT (IPD)

DC CHARACTERISTICS		Standard Operating Conditions: 2.3V to 3.6V(unless otherwise stated) Operating temperature -40°C ≤ TA ≤ +85°C for Industrial -40°C ≤ TA ≤ +125°C for Extended			
Param. No.	Typical ⁽²⁾	Maximum	Units	Conditions	
Power-Down Current (IPD) (Note 1)					
DC40k	0.4	3	mA	-40°C	Base Power-Down Sleep
DC40l	0.7	3	mA	+25°C	
DC40m	2.5	9.5	mA	+85°C	
DC40o	7	26	mA	+125°C	
Module Differential Current					
DC41e	5	—	μA	3.6V	Watchdog Timer Current: ΔI _{WDT} (Note 3)
DC42e	25	—	μA	3.6V	RTCC + Timer1 w/32 kHz Crystal: ΔI _{RTCC} (Note 3)
DC43d	4	6	mA	3.6V	ADC: ΔI _{ADC} (Notes 3, 4)

Note 1: The test conditions for IPD current measurements are as follows:

Sleep:

- Oscillator mode is EC (for 8 MHz and below) and EC+PLL (for above 8 MHz) with OSC1 driven by external square wave from rail-to-rail, (OSC1 input clock input over/undershoot < 100 mV required)
 - OSC2/CLKO is configured as an I/O input pin
 - PBCLKx divisor = 1:2 ('x' ≠ 1,6,7), PBCLK6 = 1:4, PBCLK1 = 1:1
 - CPU is in Sleep mode
 - Prefetch module is disabled
 - No peripheral modules are operating, (ON bit = 0), and the associated PMD bit is '0' (i.e., clocks enabled)
 - WDT, DMT, Clock Switching, Fail-Safe Clock Monitor, and Secondary Oscillator are disabled
 - All I/O pins are configured as inputs and pulled to V_{SS}
 - MCLR = V_{DD}
 - RTCC and JTAG are disabled
 - Voltage regulator is in Stand-by mode (VREGS = 0)
- 2:** Data in the "Typical" column is at 3.3V, 25°C unless otherwise stated. Parameters are for design guidance only and are not tested.
- 3:** The Δ current is the additional current consumed when the module is enabled. This current should be added to the base IPD current.
- 4:** Voltage regulator is operational (VREGS = 1)

PIC32MK MCA Family

TABLE 35-9: DC CHARACTERISTICS: I/O PIN INPUT SPECIFICATIONS

DC CHARACTERISTICS			Standard Operating Conditions: 2.3V to 3.6V (unless otherwise stated) Operating temperature -40°C ≤ TA ≤ +85°C for Industrial -40°C ≤ TA ≤ +125°C for Extended				
Param. No.	Symbol	Characteristics	Min.	Typ. ⁽¹⁾	Max.	Units	Conditions
DI10	VIL	Input Low Voltage					
		SDAx, SCLx	VSS	—	0.3 VDD	V	SMBus disabled
		SDAx, SCLx I/O Pins	VSS VSS	— —	0.8 0.2 VDD	V V	SMBus enabled
DI20	VIH	Input High Voltage					
		I/O Pins not 5V-tolerant ⁽⁵⁾	0.7*VDD	—	VDD	V	SMBus disabled SMBus enabled, 2.3V = < VPIN = < 5.5
		SDAx, SCLx	0.7*VDD	—	(7)	V	
		SDAx, SCLx	2.1	—	(7)	V	
I/O Pins 5V-tolerant ⁽⁵⁾	0.7* VDD	—	5.5	V			
DI30	ICNPU	Change Notification Pull-up Current	-450	—	-50	µA	VDD = 3.3V, VPIN = VSS (Note 3,6)
DI31	ICNPD	Change Notification Pull-down Current⁽⁴⁾	50	—	450	µA	VDD = 3.3V, VPIN = VDD
DI50 DI51 DI53 DI55 DI56	IIL	Input Leakage Current (Note 3)					
		I/O Ports	-1	—	1	µA	VSS ≤ VPIN ≤ VDD, Pin at high-impedance
		ADC and VREF Input Pins	-1	—	1	µA	
		Op amp Input Shared Pins	-35	—	35	µA	
		MCLR ⁽²⁾	-1	—	1	µA	
OSC1	-1	—	1	µA			

- Note 1:** Data in the “Typical” column is at 3.3V, +25°C unless otherwise stated. Parameters are for design guidance only and are not tested.
- 2:** The leakage current on the MCLR pin is strongly dependent on the applied voltage level. The specified levels represent normal operating conditions. Higher leakage current may be measured at different input voltages.
- 3:** Negative current is defined as current sourced by the pin.
- 4:** This parameter is characterized, but not tested in manufacturing.
- 5:** Refer to the pin name tables (Table 2 and Table 4) for the 5V-tolerant pins.
- 6:** The VIH specifications are only in relation to externally applied inputs, and not with respect to the user-selectable internal MCU VDD pull-ups. External open drain input signals utilizing the internal pull-ups of the PIC32 device are guaranteed to be recognized only as a logic “high” internally to the PIC32 device, provided that the external load does not exceed the minimum value of ICNPU. For external 5V tolerant “input” logic inputs that require a pull-up source, to guarantee the minimum VIH of those components, it is recommended to use an external pull-up resistor rather than the internal MCU VDD pull-ups of the PIC32 device.
- 7:** VIH (maximum) for Non-5V tolerant I²C pin is VDD. VIH (maximum) for 5V tolerant I²C pins is 5.5V.

PIC32MK MCA Family

TABLE 35-10: DC CHARACTERISTICS: I/O PIN INPUT INJECTION CURRENT SPECIFICATIONS

DC CHARACTERISTICS			Standard Operating Conditions: 2.3V to 3.6V (unless otherwise stated) Operating temperature $-40^{\circ}\text{C} \leq T_A \leq +85^{\circ}\text{C}$ for Industrial $-40^{\circ}\text{C} \leq T_A \leq +125^{\circ}\text{C}$ for Extended				
Param. No.	Symbol	Characteristics	Min.	Typ. ⁽¹⁾	Max.	Units	Conditions
DI60a	I _{ICL}	Input Low Injection Current	0	—	-5 ^(2,5)	mA	This parameter applies to all pins, with the exception of RB10. Maximum I _{ICH} current for this exception is 0 mA.
DI60b	I _{ICH}	Input High Injection Current	0	—	+5 ^(3,4,5)	mA	This parameter applies to all pins, with the exception of all 5V tolerant pins, SOSC1, SOSCO, OSC1, OSC2, D-, D+, RTCC, and RB10. Maximum I _{ICH} current for these exceptions is 0 mA.
DI60c	ΣI_{ICT}	Total Input Injection Current (sum of all I/O and control pins)	-20 ⁽⁶⁾	—	+20 ⁽⁶⁾	mA	Absolute instantaneous sum of all \pm input injection currents from all I/O pins $(I_{ICL} + I_{ICH}) \leq \Sigma I_{ICT}$

- Note 1:** Data in the “Typical” column is at 3.3V, +25°C unless otherwise stated. Parameters are for design guidance only and are not tested.
- 2:** V_{IL} source < (V_{SS} - 0.3). Characterized but not tested.
- 3:** V_{IH} source > (V_{DD} + 0.3) for non-5V tolerant pins only.
- 4:** Digital 5V tolerant pins do not have an internal high side diode to V_{DD}, and therefore, cannot tolerate any “positive” input injection current.
- 5:** Injection currents > |0| can affect the ADC results by approximately 4 to 6 counts (i.e., V_{IH} Source > (V_{DD} + 0.3) or V_{IL} source < (V_{SS} - 0.3)).
- 6:** Any number and/or combination of I/O pins not excluded under I_{ICL} or I_{ICH} conditions are permitted provided the “absolute instantaneous” sum of the input injection currents from all pins do not exceed the specified limit. If **Note 2**, I_{ICL} = (((V_{SS} - 0.3) - V_{IL} source) / R_s). If **Note 3**, I_{ICH} = ((I_{ICH} source - (V_{DD} + 0.3)) / R_S). R_S = Resistance between input source voltage and device pin. If (V_{SS} - 0.3) ≤ V_{SOURCE} ≤ (V_{DD} + 0.3), injection current = 0.

PIC32MK MCA Family

TABLE 35-11: DC CHARACTERISTICS: I/O PIN OUTPUT SPECIFICATIONS

DC CHARACTERISTICS			Standard Operating Conditions: 2.3V to 3.6V (unless otherwise stated) Operating temperature $-40^{\circ}\text{C} \leq T_A \leq +85^{\circ}\text{C}$ for Industrial $-40^{\circ}\text{C} \leq T_A \leq +125^{\circ}\text{C}$ for Extended				
Param.	Sym.	Characteristic	Min.	Typ.	Max.	Units	Conditions
DO10	VOL	Output Low Voltage I/O Pins 4x Sink Driver Pins - RA0, RA4, RA11, RA12 RB0-RB3, RB8, RB9 RC0-RC2, RC10, RC12, RC13 RD8	—	—	0.4	V	$I_{OL} \leq 10 \text{ mA}$, $V_{DD} = 3.3\text{V}$
		Output Low Voltage I/O Pins: 8x Sink Driver Pins - RA1, RA7, RA8, RA10 RB4-RB7, RB10-RB15 RC6-RC9, RC11, RC15	—	—	0.4	V	$I_{OL} \leq 15 \text{ mA}$, $V_{DD} = 3.3\text{V}$
DO20	VOH	Output High Voltage I/O Pins: 4x Source Driver Pins - RA0, RA4, RA11, RA12 RB0-RB3, RB8, RB9 RC0-RC2, RC10, RC12, RC13 RD8	2.4	—	—	V	$I_{OH} \geq -10 \text{ mA}$, $V_{DD} = 3.3\text{V}$
		Output High Voltage I/O Pins: 8x Source Driver Pins - RA1, RA7, RA8, RA10 RB4-RB7, RB10-RB15 RC6-RC9, RC11, RC15	2.4	—	—	V	$I_{OH} \geq -15 \text{ mA}$, $V_{DD} = 3.3\text{V}$
DO20a	VOH1	Output High Voltage I/O Pins: 4x Source Driver Pins - RA0, RA4, RA11, RA12 RB0-RB3, RB8, RB9 RC0-RC2, RC10, RC12, RC13 RD8	1.5	—	—	V	$I_{OH} \geq -14 \text{ mA}$, $V_{DD} = 3.3\text{V}$
			2.0	—	—	V	$I_{OH} \geq -12 \text{ mA}$, $V_{DD} = 3.3\text{V}$
			3.0	—	—	V	$I_{OH} \geq -7 \text{ mA}$, $V_{DD} = 3.3\text{V}$
		Output High Voltage I/O Pins: 8x Source Driver Pins - 8x Source Driver Pins - RA1, RA7, RA8, RA10 RB4-RB7, RB10-RB15 RC6-RC9, RC11, RC15	1.5	—	—	V	$I_{OH} \geq -22 \text{ mA}$, $V_{DD} = 3.3\text{V}$
			2.0	—	—	V	$I_{OH} \geq -18 \text{ mA}$, $V_{DD} = 3.3\text{V}$
			3.0	—	—	V	$I_{OH} \geq -10 \text{ mA}$, $V_{DD} = 3.3\text{V}$

PIC32MK MCA Family

TABLE 35-12: DC CHARACTERISTICS: PROGRAM MEMORY⁽³⁾

DC CHARACTERISTICS			Standard Operating Conditions: 2.3V to 3.6V (unless otherwise stated) Operating temperature -40°C ≤ TA ≤ +85°C for Industrial -40°C ≤ TA ≤ +125°C for Extended				
Param. No.	Sym.	Characteristics	Min.	Typ. ⁽¹⁾	Max.	Units	Conditions
D130	EP	Cell Endurance	20,000	—	—	E/W	—
D131	VPR	VDD for Read	VDDMIN	—	VDDMAX	V	—
D132	VPEW	VDD for Erase or Write	VDDMIN	—	VDDMAX	V	—
D134	TRETD	Characteristic Retention	20	—	—	Year	—
D135	IDDP	Supply Current during Programming	—	—	30	mA	—
D136	TRW	Row Write Cycle Time (Notes 2)	16000	—	20800	FRC Cycles	—
D137	TQWW	Quad Word Write Cycle Time	650	—	777	FRC Cycles	—
D138	TWW	Word Write Cycle Time	265	—	297	FRC Cycles	—
D139	TCE	Chip Erase Cycle Time (Note 4)	384000	—	480000	FRC Cycles	—
D140	TPFE	Combined Upper Plus Lower Flash Panels Erase Cycle Time (both Boot Flash excluded)	256000	—	320000	FRC Cycles	—
D141	TPBE	Single Panel Flash Erase Cycle Time (either Upper or Lower Panel, excluding both Boot Flash)	128000	—	160000	FRC Cycles	—
D142	TPGE	Page Erase Cycle Time	128000	—	160000	FRC Cycles	Erase Retry Disabled - VREAD1 (NVMCON2<12>) = 0
			32000	—	160000	FRC Cycles	Erase Retry enabled - VREAD1 (NVMCON2<12>) = 1
D143	TFLPU	NVM Power-up Delay	—	—	10	µs	—

Note 1: Data in the “Typical” column is at 3.3V, +25°C unless otherwise stated.

2: The minimum SYSCLK for row programming is 4 MHz.

3: Refer to the “PIC32 Flash Programming Specification” (DS60001145) for operating conditions during programming and erase cycles.

4: This parameter depends on FRC accuracy (see [Table 35-17](#)) and FRC tuning values (see the OSCTUN register: [Register 8-2](#)).

TABLE 35-13: DC CHARACTERISTICS: PROGRAM FLASH MEMORY WAIT STATES FOR ACTIVE HIGH POWER MODE

DC CHARACTERISTICS		Standard Operating Conditions: 2.3V to 3.6V (unless otherwise stated) Operating temperature -40°C ≤ TA ≤ +85°C for Industrial -40°C ≤ TA ≤ +125°C for Extended	
DEVCFG0<9:8>	Required Flash Wait States PFMWS<3:0> bits	SYSCLK (MHz)	
FECCON<1:0> bits (DEVCFG0<9:8>) = 0x1x with ECC disabled	1 - Wait State	0 < SYSCLK ≤ 116 MHz	
	2 - Wait State	116 MHz < SYSCLK ≤ 120 MHz	

PIC32MK MCA Family

TABLE 35-13: DC CHARACTERISTICS: PROGRAM FLASH MEMORY WAIT STATES FOR ACTIVE HIGH POWER MODE (CONTINUED)

DC CHARACTERISTICS		Standard Operating Conditions: 2.3V to 3.6V (unless otherwise stated) Operating temperature $-40^{\circ}\text{C} \leq T_A \leq +85^{\circ}\text{C}$ for Industrial $-40^{\circ}\text{C} \leq T_A \leq +125^{\circ}\text{C}$ for Extended
DEVCFG0<9:8>	Required Flash Wait States PFMWS<3:0> bits	SYSCLK (MHz)
FECCCON<1:0> bits (DEVCFG0<9:8>) = 0x0x with ECC enabled	1 - Wait State	$0 < \text{SYSCLK} \leq 96 \text{ MHz}$
	2 - Wait State	$96 \text{ MHz} < \text{SYSCLK} \leq 120 \text{ MHz}$

PIC32MK MCA Family

35.2 AC Characteristics and Timing Parameters

The information contained in this section defines PIC32MK MCA Family device AC characteristics and timing parameters.

FIGURE 35-1: LOAD CONDITIONS FOR DEVICE TIMING SPECIFICATIONS

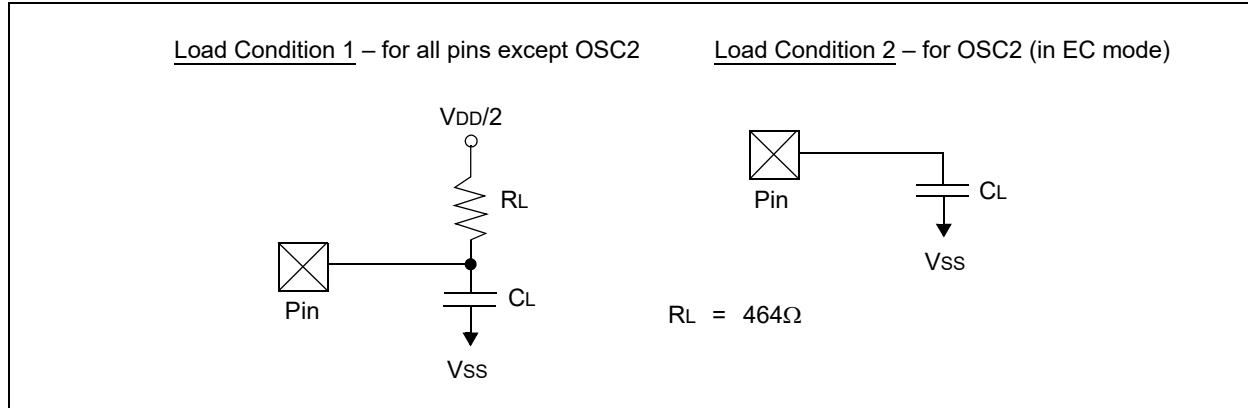


TABLE 35-14: CAPACITIVE LOADING REQUIREMENTS ON OUTPUT PINS

AC CHARACTERISTICS			Standard Operating Conditions: 2.3V to 3.6V (unless otherwise stated) Operating temperature $-40^{\circ}\text{C} \leq T_A \leq +85^{\circ}\text{C}$ for Industrial $-40^{\circ}\text{C} \leq T_A \leq +125^{\circ}\text{C}$ for Extended				
Param. No.	Symbol	Characteristics	Min.	Typ. ⁽¹⁾	Max.	Units	Conditions
DO56	CL	All I/O pins	—	—	50	pF	—

Note 1: Data in the “Typical” column is at 3.3V, +25°C unless otherwise stated. Parameters are for design guidance only and are not tested.

PIC32MK MCA Family

FIGURE 35-2: EXTERNAL CLOCK TIMING

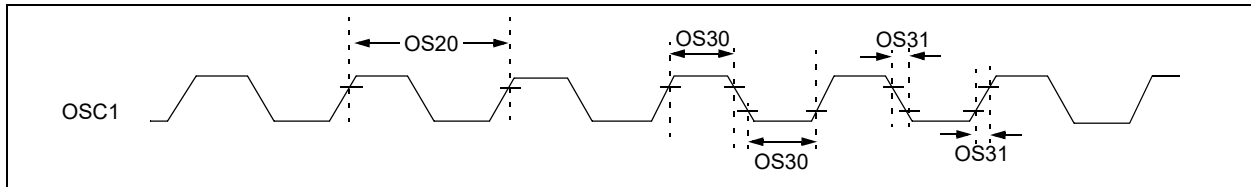


TABLE 35-15: EXTERNAL CLOCK TIMING REQUIREMENTS

AC CHARACTERISTICS			Standard Operating Conditions: 2.3V to 3.6V (unless otherwise stated) Operating temperature -40°C ≤ TA ≤ +85°C for Industrial -40°C ≤ TA ≤ +125°C for Extended				
Param. No.	Symbol	Characteristics	Minimum	Typical ⁽¹⁾	Maximum	Units	Conditions
OS10	Fosc	External CLKI Frequency (External clocks allowed only in EC and ECPLL modes)	DC	—	64	MHz	EC (Note 2,3)
OS13	Fosc	Oscillator Crystal Frequency	4	—	32	MHz	HS (Note 2,3)
OS15			32	32.768	100	kHz	SOSC crystal ESR must be ≤ 80K ohms (Note 2)
OS20	Tosc	Tosc = 1/Fosc	—	—	—	—	See parameter OS10 for Fosc value
OS30	TosL, TosH	External Clock In (OSC1) High or Low Time	0.375 x Tosc	—	0.675 x Tosc	ns	EC (Note 2)
OS31	TosR, TosF	External Clock In (OSC1) Rise or Fall Time	—	—	7.5	ns	EC (Note 2)
OS40	TOST	Oscillator Start-up Timer Period (Only applies to HS, HSPLL, and SOSC Clock Oscillator modes)	—	1024	—	Tosc	(Note 2)
OS41	TFSCM	Primary Clock Fail Safe Time-out Period	—	2	—	ms	(Note 2)
OS42	GM	External Oscillator Transconductance	—	16	—	mAV	VDD = 3.3V, TA = +25°C, HS (Note 2)

Note 1: Data in the “Typical” column is at 3.3V, +25°C unless otherwise stated. Parameters are characterized but are not tested.

2: This parameter is characterized, but not tested in manufacturing.

3: See parameter [OS50](#) for PLL input frequency limitations.

PIC32MK MCA Family

TABLE 35-16: SYSTEM PLL TIMING REQUIREMENTS

AC CHARACTERISTICS			Standard Operating Conditions: 2.3V to 3.6V (unless otherwise stated) Operating temperature -40°C ≤ TA ≤ +85°C for Industrial -40°C ≤ TA ≤ +125°C for Extended				
Param. No.	Symbol	Characteristics ⁽¹⁾	Min.	Typ.	Max.	Units	Conditions
OS50	FIN	PLL Input Frequency Range	5	—	64	MHz	—
OS51	FSYS	System Frequency	DC	—	120	MHz	—
OS52	TLOCK	PLL Start-up Time (Lock Time)	—	—	100	μs	—
OS53	DCLK	CLKO Stability ⁽²⁾ (Period Jitter or Cumulative)	-0.25	—	+0.25	%	Measured over 100 ms period
OS54	FVCO	PLL Vco Frequency Range	350	—	700	MHz	FVco output frequency to PLLDIV output
OS54a	FPLL	PLL Output Frequency Range	10.9	—	120	MHz	PLLDIV output frequency range
OS54b	FPLLI	VCO Input Frequency Range	5	—	64	MHz	PLLIDIV output frequency range to FVco input
OS55a	FPB	Peripheral Bus Frequency	DC	—	120	MHz	For PBCLKx, 'x' ≠ 6
OS55b			DC	—	30	MHz	For PBCLK6

Note 1: These parameters are characterized, but not tested in manufacturing.

2: This jitter specification is based on clock-cycle by clock-cycle measurements. To get the effective jitter for individual time-bases on communication clocks, use the following formula:

$$EffectiveJitter = \frac{D_{CLK}}{\sqrt{\frac{PBCLKx}{CommunicationClock}}}$$

For example, if PBCLKx = 100 MHz and SPI bit rate = 50 MHz, the effective jitter is as follows:

$$EffectiveJitter = \frac{D_{CLK}}{\sqrt{\frac{100}{50}}} = \frac{D_{CLK}}{1.41}$$

PIC32MK MCA Family

TABLE 35-17: INTERNAL FRC ACCURACY

AC CHARACTERISTICS		Standard Operating Conditions: 2.3V to 3.6V (unless otherwise stated) Operating temperature -40°C ≤ TA ≤ +85°C for Industrial -40°C ≤ TA ≤ +125°C for Extended				
Param. No.	Characteristics	Min.	Typ.	Max.	Units	Conditions
Internal FRC Accuracy @ 8.00 MHz ⁽¹⁾						
F20	FRC	-4	—	+4	%	0°C ≤ TA ≤ +85°C
		-5	—	+5	%	-40°C ≤ TA ≤ +125°C

Note 1: Frequency calibrated at 25°C and 3.3V. The TUN bits can be used to compensate for temperature drift.

TABLE 35-18: INTERNAL LPRC ACCURACY

AC CHARACTERISTICS		Standard Operating Conditions: 2.3V to 3.6V (unless otherwise stated) Operating temperature -40°C ≤ TA ≤ +85°C for Industrial -40°C ≤ TA ≤ +125°C for Extended				
Param. No.	Characteristics	Min.	Typ.	Max.	Units	Conditions
Internal LPRC @ 32.768 kHz ⁽¹⁾						
F21	LPRC	-8	—	+8	%	0°C ≤ TA ≤ +85°C
		-25	—	+25	%	-40°C ≤ TA ≤ +125°C

Note 1: Change of LPRC frequency as VDD changes.

TABLE 35-19: INTERNAL BFRC ACCURACY

AC CHARACTERISTICS		Standard Operating Conditions: 2.3V to 3.6V (unless otherwise stated) Operating temperature -40°C ≤ TA ≤ +85°C for Industrial -40°C ≤ TA ≤ +125°C for Extended				
Param. No.	Characteristics ⁽¹⁾	Min.	Typ.	Max.	Units	Comments
BF1	BFRC	-20	-	20	%	-40°C ≤ TA ≤ +125°C

Note 1: These parameters are characterized but not tested.

PIC32MK MCA Family

TABLE 35-20: COMPARATOR SPECIFICATIONS

AC CHARACTERISTICS			Standard Operating Conditions: 3.0V to 3.6V (Note 2) (unless otherwise stated) Operating temperature -40°C ≤ TA ≤ +85°C for Industrial -40°C ≤ TA ≤ +125°C for Extended				
Param. No.	Symbol	Characteristics ⁽¹⁾	Min.	Typ.	Max.	Units	Comments
CM30	VIOFF	Input Offset Voltage	-15	—	+15	mV	—
CM31	VICM	Input Common Mode Voltage	AVSS	—	AVDD	V	—
CM36a	VHYST_01	Input Hysteresis Voltage	0	13	26	mV	HYSSEL<1:0> (CMxCON<25:24>) = '0b01 (Lowest) Use of this setting is not recommended.
CM36b	VHYST_10	Input Hysteresis Voltage	11	26	41	mV	HYSSEL<1:0> (CMxCON<25:24>) = '0b10
CM36c	VHYST_11	Input Hysteresis Voltage	20	40	60	mV	HYSSEL<1:0> (CMxCON<25:24>) = '0b11 (Highest)
CM37	TRESP	Large Signal Response Time	—	—	50	ns	—
CM38	TSRESP	Small Signal Response Time	—	—	70	ns	V _{CM} = V _{DD} /2; 100 mV step
CM41	VIN	Input Voltage Range	AVSS	—	AVDD	V	—
CM43	TON	Comparator Enabled to Output Valid	—	10	—	μs	Comparator module is configured before setting the Comparator ON bit
CM44	TOFF	Disable to outputs disabled	—	100	—	ns	—
CM47	CMRR	Common Mode Rejection	39				This value represents performance when V _{CM} is below 0.7*V _{DD} . There is a significant degradation of CMRR performance above 0.7*V _{DD} .

Note 1: These parameters are characterized but not tested.

PIC32MK MCA Family

FIGURE 35-3: I/O TIMING CHARACTERISTICS

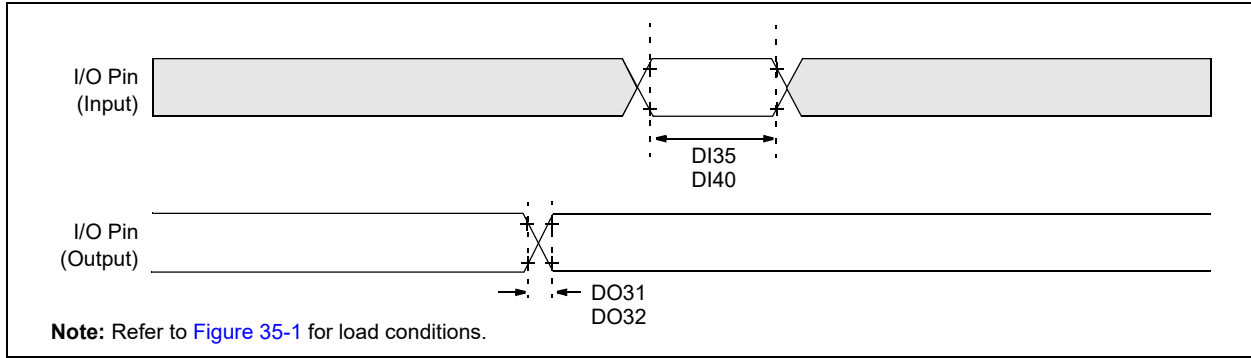


TABLE 35-21: I/O TIMING REQUIREMENTS

AC CHARACTERISTICS		Standard Operating Conditions: 2.3V to 3.6V (unless otherwise stated) Operating temperature $-40^{\circ}\text{C} \leq T_A \leq +85^{\circ}\text{C}$ for Industrial $-40^{\circ}\text{C} \leq T_A \leq +125^{\circ}\text{C}$ for Extended					
Param. No.	Symbol	Characteristics ⁽²⁾	Min.	Typ. ⁽¹⁾	Max.	Units	Conditions
DO31	TioR	Port Output Rise Time I/O Pins: 4x Source Driver Pins - RA0, RA4, RA11, RA12 RB0-RB3, RB8, RB9 RC0, RC1, RC2, RC10, RC12, RC13 RD8	—	—	9.5	ns	CLOAD = 50 pF
			—	—	6	ns	CLOAD = 20 pF
		Port Output Rise Time I/O Pins: 8x Source Driver Pins - Replace 8x Source Driver pins with: RA1, RA7, RA8, RA10 RB4-RB7, RB10-RB15 RC6-RC9, RC11, RC15	—	—	8	ns	CLOAD = 50 pF
			—	—	6	ns	CLOAD = 20 pF

Note 1: Data in the “Typical” column is at 3.3V, +25°C unless otherwise stated.

Note 2: This parameter is characterized, but not tested in manufacturing.

PIC32MK MCA Family

TABLE 35-21: I/O TIMING REQUIREMENTS (CONTINUED)

AC CHARACTERISTICS		Standard Operating Conditions: 2.3V to 3.6V (unless otherwise stated) Operating temperature -40°C ≤ TA ≤ +85°C for Industrial -40°C ≤ TA ≤ +125°C for Extended					
Param. No.	Symbol	Characteristics ⁽²⁾	Min.	Typ. ⁽¹⁾	Max.	Units	Conditions
DO32	TioF	Port Output Fall Time I/O Pins: 4x Source Driver Pins - RA0, RA4, RA11, RA12 RB0-RB3, RB8, RB9 RC0, RC1, RC2, RC10, RC12, RC13 RD8	—	—	9.5	ns	CLOAD = 50 pF
			—	—	6	ns	CLOAD = 20 pF
		Port Output Fall Time I/O Pins: 8x Source Driver Pins - RA1, RA7, RA8, RA10 RB4-RB7, RB10-RB15 RC6-RC9, RC11, RC15	—	—	8	ns	CLOAD = 50 pF
			—	—	6	ns	CLOAD = 20 pF
DI35	TINP	INTx Pin High or Low Time	5	—	—	ns	—
DI40	TRBP	CNx High or Low Time (input)	5	—	—	ns	—

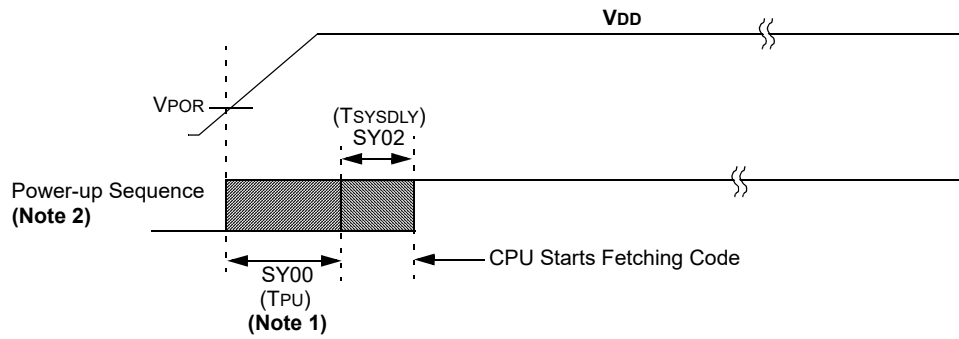
Note 1: Data in the “Typical” column is at 3.3V, +25°C unless otherwise stated.

2: This parameter is characterized, but not tested in manufacturing.

FIGURE 35-4: POWER-ON RESET TIMING CHARACTERISTICS

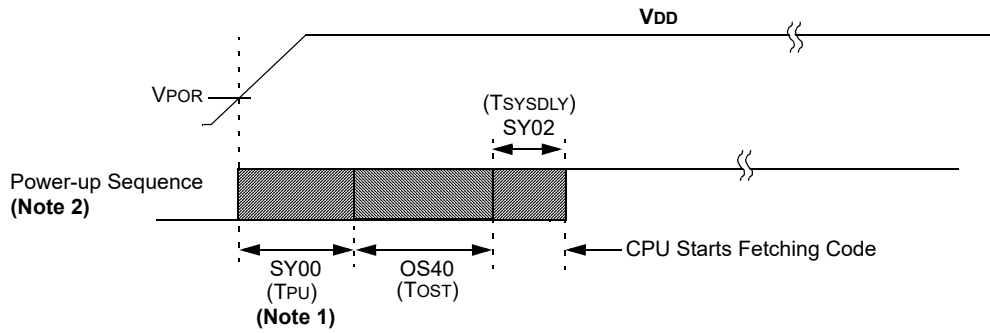
Internal Voltage Regulator Enabled

Clock Sources = (FRC, FRCDIV, FRCDIV16, FRCPLL, EC, ECPLL and LPRC)



Internal Voltage Regulator Enabled

Clock Sources = (HS, HSPLL, and Sosc)



Note 1: The power-up period will be extended if the power-up sequence completes before the device exits from BOR ($V_{DD} < V_{DDMIN}$).

2: Includes internal voltage regulator stabilization delay.

PIC32MK MCA Family

FIGURE 35-5: EXTERNAL RESET TIMING CHARACTERISTICS

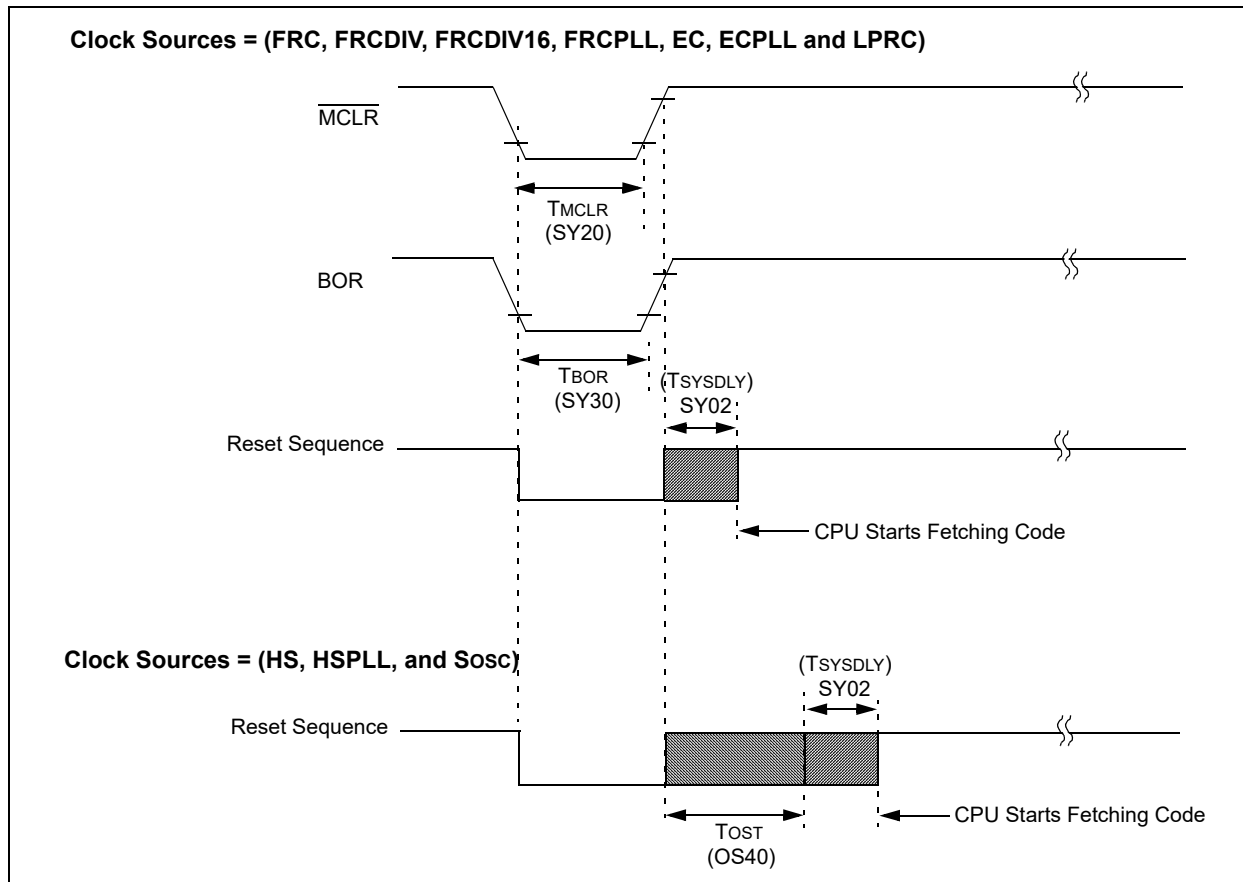


TABLE 35-22: RESETS TIMING

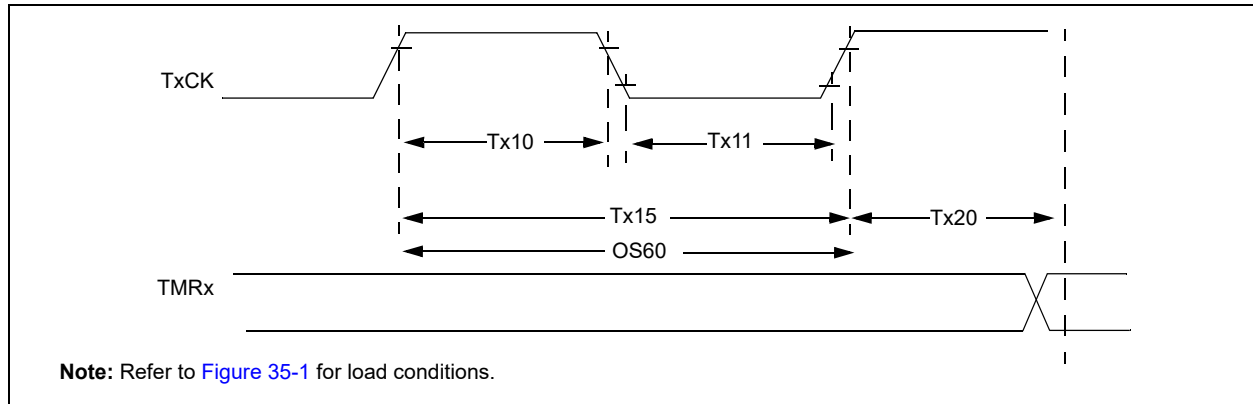
AC CHARACTERISTICS			Standard Operating Conditions: 2.3V to 3.6V (unless otherwise stated) Operating temperature $-40^{\circ}\text{C} \leq T_A \leq +85^{\circ}\text{C}$ for Industrial $-40^{\circ}\text{C} \leq T_A \leq +125^{\circ}\text{C}$ for Extended				
Param. No.	Symbol	Characteristics ⁽¹⁾	Min.	Typ. ⁽²⁾	Max.	Units	Conditions
SY00	TPU	Power-up Period Internal Voltage Regulator Enabled	—	400	R	μs	—
SY02	TSYSDLY	System Delay Period: Time Required to Reload Device Configuration Fuses plus SYSCLK Delay before First instruction is Fetched.	—	$1 \mu\text{s} +$ 8 SYSCLK cycles	—	—	—
SY20	TMCLR	MCLR Pulse Width (low)	2	—	—	μs	—
SY30	TBOR	BOR Pulse Width (low)	—	1	—	μs	—

Note 1: These parameters are characterized, but not tested in manufacturing.

Note 2: Data in "Typical" column is at 3.3V, 25°C unless otherwise stated. Characterized by design but not tested.

PIC32MK MCA Family

FIGURE 35-6: TIMER1-TIMER5 EXTERNAL CLOCK TIMING CHARACTERISTICS



Note: Refer to Figure 35-1 for load conditions.

TABLE 35-23: TIMER1 EXTERNAL CLOCK TIMING REQUIREMENTS⁽¹⁾

AC CHARACTERISTICS		Standard Operating Conditions: 2.3V to 3.6V (unless otherwise stated) Operating temperature -40°C ≤ TA ≤ +85°C for Industrial -40°C ≤ TA ≤ +125°C for Extended						
Param. No.	Symbol	Characteristics ⁽²⁾		Min.	Typ.	Max.	Units	Conditions
TA10	TtxH	TxCK High Time	Synchronous, with prescaler	$[(12.5 \text{ ns or } 1 \text{ TPBCLK3}) / N] + 20 \text{ ns}$	—	—	ns	Must also meet parameter TA15 (Note 3)
			Asynchronous, with prescaler	10	—	—	ns	
TA11	TtxL	TxCK Low Time	Synchronous, with prescaler	$[(12.5 \text{ ns or } 1 \text{ TPBCLK3}) / N] + 20 \text{ ns}$	—	—	ns	Must also meet parameter TA15 (Note 3)
			Asynchronous, with prescaler	10	—	—	ns	
TA15	TtxP	TxCK Input Period	Synchronous, with prescaler	$[(\text{Greater of } 20 \text{ ns or } 2 \text{ TPBCLK3}) / N] + 30 \text{ ns}$	—	—	ns	VDD > 2.7V (Note 3)
			Asynchronous, with prescaler	20	—	—	ns	VDD > 2.7V
			Asynchronous, with prescaler	50	—	—	ns	VDD < 2.7V (Note 3)
OS60	Ft1	SOSCO/T1CK Oscillator Input Frequency Range (oscillator enabled by setting TCS bit (T1CON<1>))		32	—	50	kHz	—
TA20	TCKEXTMRL	Delay from External TxCK Clock Edge to Timer Increment		—	—	1	TPBCLK3	—

Note 1: Timer1 is a Type A.

Note 2: This parameter is characterized, but not tested in manufacturing.

Note 3: N = Prescale Value (1, 8, 64, 256).

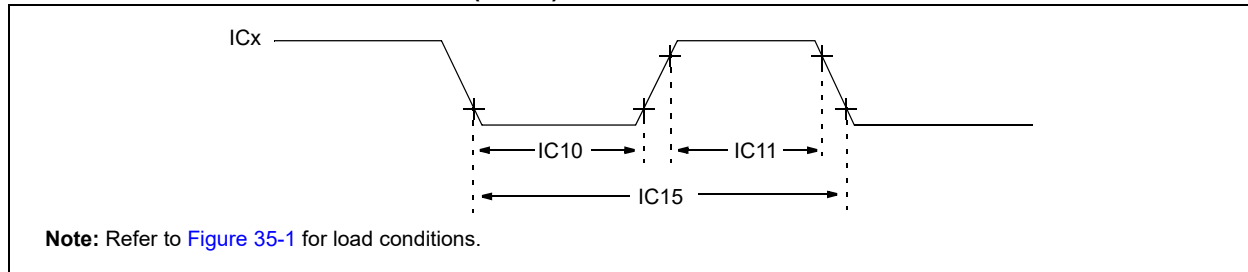
PIC32MK MCA Family

TABLE 35-24: TIMER2-TIMER5 EXTERNAL CLOCK TIMING REQUIREMENTS

AC CHARACTERISTICS		Standard Operating Conditions: 2.3V to 3.6V (unless otherwise stated) Operating temperature $-40^{\circ}\text{C} \leq T_A \leq +85^{\circ}\text{C}$ for Industrial $-40^{\circ}\text{C} \leq T_A \leq +125^{\circ}\text{C}$ for Extended					
Param. No.	Symbol	Characteristics ⁽¹⁾		Min.	Max.	Units	Conditions
TB10	T _{TXH}	TxCK High Time	Synchronous, with prescaler	$[(12.5 \text{ ns or } 1 \text{ TPBCLK}_3) / N] + 25 \text{ ns}$	—	ns	Must also meet parameter TB15 N = prescale value (1, 2, 4, 8, 16, 32, 64, 256)
TB11	T _{TXL}	TxCK Low Time	Synchronous, with prescaler	$[(12.5 \text{ ns or } 1 \text{ TPBCLK}_3) / N] + 25 \text{ ns}$	—	ns	
TB15	T _{TXP}	TxCK Input Period	Synchronous, with prescaler	$[(\text{Greater of } [(25 \text{ ns or } 2 \text{ TPBCLK}_3) / N] + 30 \text{ ns})]$	—	ns	
				$[(\text{Greater of } [(25 \text{ ns or } 2 \text{ TPBCLK}_3) / N] + 50 \text{ ns})]$	—	ns	V _{DD} < 2.7V
TB20	T _{CKEXTMRL}	Delay from External TxCK Clock Edge to Timer Increment		—	1	TPBCLK ₃	—

Note 1: These parameters are characterized, but not tested in manufacturing.

FIGURE 35-7: INPUT CAPTURE (CAP_x) TIMING CHARACTERISTICS



Note: Refer to Figure 35-1 for load conditions.

TABLE 35-25: INPUT CAPTURE MODULE TIMING REQUIREMENTS

AC CHARACTERISTICS		Standard Operating Conditions: 2.3V to 3.6V (unless otherwise stated) Operating temperature $-40^{\circ}\text{C} \leq T_A \leq +85^{\circ}\text{C}$ for Industrial $-40^{\circ}\text{C} \leq T_A \leq +125^{\circ}\text{C}$ for Extended					
Param. No.	Symbol	Characteristics ⁽¹⁾		Min.	Max.	Units	Conditions
IC10	T _{cCL}	IC _x Input Low Time		$((\text{TPBCLK}_x / N) + 25 \text{ ns})$	—	ns	Must also meet parameter IC15. x = 2 for IC1-IC9 x = 3 for IC10-IC16 N = prescale value (1, 4, 16)
IC11	T _{cCH}	IC _x Input High Time		$((\text{TPBCLK}_x / N) + 25 \text{ ns})$	—	ns	
IC15	T _{cCP}	IC _x Input Period		$((\text{TPBCLK}_x / N) + 50 \text{ ns})$	—	ns	

Note 1: These parameters are characterized, but not tested in manufacturing.

FIGURE 35-8: OUTPUT COMPARE MODULE (OCx) TIMING CHARACTERISTICS

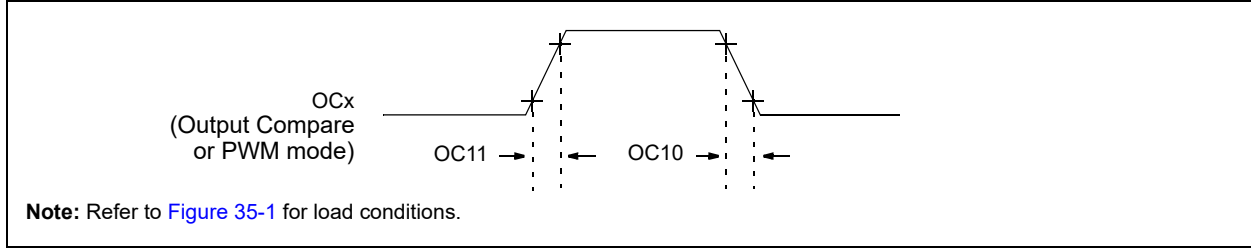


TABLE 35-26: OUTPUT COMPARE MODULE TIMING REQUIREMENTS

AC CHARACTERISTICS			Standard Operating Conditions: 2.3V to 3.6V (unless otherwise stated) Operating temperature $-40^{\circ}\text{C} \leq T_A \leq +85^{\circ}\text{C}$ for Industrial $-40^{\circ}\text{C} \leq T_A \leq +125^{\circ}\text{C}$ for Extended				
Param. No.	Symbol	Characteristics ⁽¹⁾	Min.	Typ. ⁽²⁾	Max.	Units	Conditions
OC10	TccF	OCx Output Fall Time	—	—	—	ns	See parameter DO32
OC11	TccR	OCx Output Rise Time	—	—	—	ns	See parameter DO31

Note 1: These parameters are characterized, but not tested in manufacturing.

2: Data in the “Typical” column is at 3.3V, +25°C unless otherwise stated. Parameters are for design guidance only and are not tested.

FIGURE 35-9: OCx/PWM MODULE TIMING CHARACTERISTICS

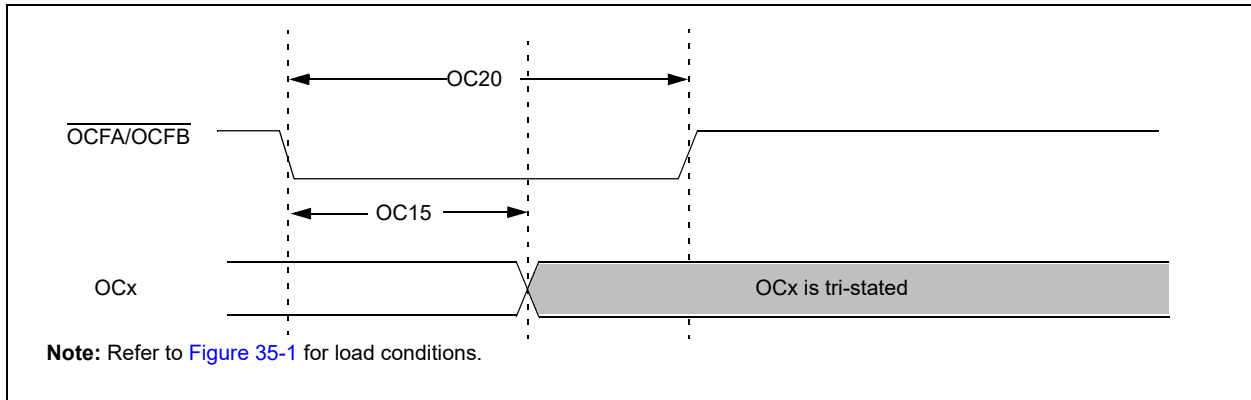


TABLE 35-27: SIMPLE OCx/PWM MODE TIMING REQUIREMENTS

AC CHARACTERISTICS			Standard Operating Conditions: 2.3V to 3.6V (unless otherwise stated) Operating temperature $-40^{\circ}\text{C} \leq T_A \leq +85^{\circ}\text{C}$ for Industrial $-40^{\circ}\text{C} \leq T_A \leq +125^{\circ}\text{C}$ for Extended				
Param No.	Symbol	Characteristics ⁽¹⁾	Min	Typ. ⁽²⁾	Max	Units	Conditions
OC15	TFD	Fault Input to PWM I/O Change	—	—	50	ns	—
OC20	TFLT	Fault Input Pulse Width	50	—	—	ns	—

Note 1: These parameters are characterized, but not tested in manufacturing.

2: Data in the “Typical” column is at 3.3V, +25°C unless otherwise stated. Parameters are for design guidance only and are not tested.

PIC32MK MCA Family

TABLE 35-28: OP AMP SPECIFICATIONS

AC CHARACTERISTICS			Standard Operating Conditions: 2.3V to 3.6V (Note 2) (unless otherwise stated) Operating temperature $-40^{\circ}\text{C} \leq T_A \leq +85^{\circ}\text{C}$ for Industrial $-40^{\circ}\text{C} \leq T_A \leq +125^{\circ}\text{C}$ for Extended				
Param. No.	Symbol	Characteristics	Min.	Typ. ⁽¹⁾	Max.	Units	Comments
OA1	VCMR	Common Mode Input Voltage Range	AVSS	—	AVDD	V	—
OA2	CMRR	Common Mode Rejection Ratio	—	45	—	dB	VCM = AVDD/2
OA3	VOFF-SET	Op amp Offset Voltage	-5	—	+5	mV	Non-Unity Gain Mode
OA5	ILKG	Input leakage current	—	—	See IIL in Table 35-9	nA	—
OA6	PSRR	Power Supply Rejection Ratio	40	52	—	dB	@ 10 kHz
			38	49	—	dB	@ 100 kHz
			30	42	—	dB	@ 1 MHz
OA7	TDRIFT	Amplifier Input Offset Drift	-15	—	+15	$\mu\text{V}/^{\circ}\text{C}$	With temperature
OA8	VOH	Amplifier Output Voltage High	AVDD - 0.300	—	—	V	ISOURCE \leq 10 mA
			AVDD - 0.1	—	—	V	ISOURCE \leq 500 μA
			AVDD - 0.08	—	—	V	ISOURCE \leq 200 μA
OA9	VOL	Amplifier Output Voltage Low	—	—	AVSS + 0.300	V	ISINK \leq 10 mA
			—	—	AVSS + 0.1	V	ISINK \leq 500 μA
			—	—	AVSS +0.05	V	ISINK \leq 200 μA
OA10	TON	Enable to Valid Output	—	10	—	μs	—
OA11	TOFF	Disable to Outputs Disabled	—	100	—	ns	—
OA12	IOS	Input Offset Current	—	See IIL in Table 35-9	—	—	—
OA13	IB	Input Bias Current	—	See IIL in Table 35-9	—	—	—
OA14	SR	Slew Rate (Non-Low-power mode)	40.0	—	—	V/ μs	@ VOUT = 1.0 VPP, VCM = AVDD/2, AVDD = 3.3V
OA14a	SR	Slew Rate (Low-power mode)	3.7	—	—	V/ μs	@ VOUT = 1.0 VPP, VCM = AVDD/2, AVDD = 3.3V
OA15	GBW	Gain Bandwidth	50.7	—	—	MHz	@ VCM = AVDD/2 and AVDD > 2.7V, GAIN \geq 2
OA15A	GBWLP	Gain Bandwidth Low-power	6.4	—	—	MHz	@ VCM = AVDD/2 and AVDD > 2.7V, GAIN \geq 2
OA16	Av	Gain	2	—	—	V/V	Minimum op amp stable gain in non-unity gain mode.
OA17	PM	Phase Margin	40	—	—	Degrees	—

Note 1: Data in the "Typical" column is at 3.3V, +25°C unless otherwise stated.

- 2:** Device is functional at VBORMIN < VDD < VDDMIN, but will have degraded performance. Device functionality is tested, but not characterized. Analog modules: ADC, op amp/Comparator, and Comparator voltage reference, will have degraded performance. Refer to parameter BO10 in Table 35-5 for the minimum and maximum BOR values.

TABLE 35-29: UNITY GAIN OP AMP TIMING REQUIREMENTS

AC CHARACTERISTICS			Standard Operating Conditions: 2.3V to 3.6V (unless otherwise stated) Operating temperature -40°C ≤ TA ≤ +85°C for Industrial -40°C ≤ TA ≤ +125°C for Extended				
Param No.	Symbol	Characteristics ⁽²⁾	Min.	Typ. ⁽¹⁾	Max.	Units	Conditions
UG10	SR	Slew Rate	50	—	—	V/μs	From 0.5V to 2.5V
UG20	PM	Phase Margin	65	—	—	Degree	
UG30	GM	Gain Margin	5.3	—	—	dB	
UG40	GBW	Gain Bandwidth	29	—	—	MHz	—
UG50	VOFFSET	Opamp Offset Voltage	-8	—	8	mV	
UG60	PSRR	Power Supply Rejection Ratio	—	59	—	dB	Specified at 0 Hz
UG70	PEAK	Peak Gain	—	—	1.1	dB	Gain in excess of 1 (@ 6 MHz)

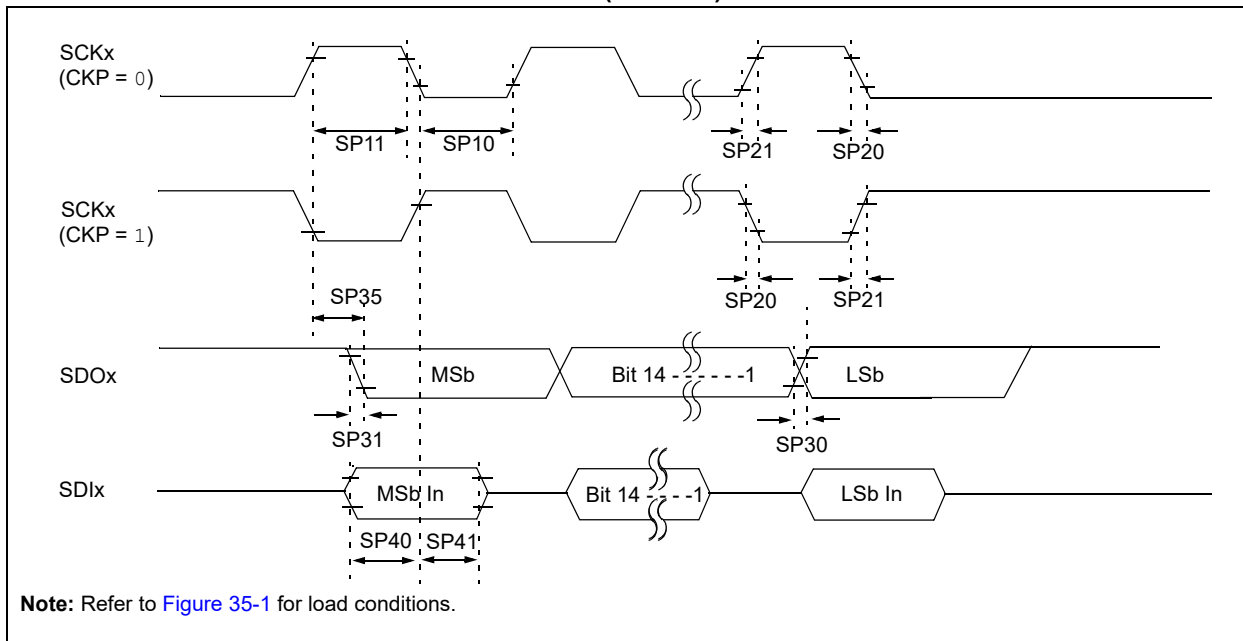
Note 1: Data in "Typical" column is at 3.3V, +25°C unless otherwise stated.

2: All other specifications are identical to the regular op amp mode operation.

3: Device is functional at VBORMIN < VDD < VDDMIN, but will have degraded performance. Device functionality is tested, but not characterized. Analog modules: ADC, op amp/Comparator, and Comparator voltage reference, will have degraded performance. Refer to parameter BO10 in Table 36-5 for the minimum and maximum BOR values.

PIC32MK MCA Family

FIGURE 35-10: SPIx MODULE HOST MODE (CKE = 0) TIMING CHARACTERISTICS



PIC32MK MCA Family

TABLE 35-30: SPIx HOST MODE (CKE = 0, SMP = 1) TIMING REQUIREMENTS

AC CHARACTERISTICS			Standard Operating Conditions: 2.3V to 3.6V (unless otherwise stated) Operating temperature -40°C ≤ TA ≤ +85°C for Industrial -40°C ≤ TA ≤ +125°C for Extended				
Param. No.	Symbol	Characteristics ⁽¹⁾	Min.	Typ. ⁽²⁾	Max.	Units	Conditions
SP9a	Tsck	SCK1 Period (SPI1 only)	22.7	—	—	ns	(VDD = 3.3V and the SMP bit (SPIxCON<9> = 1), I/O Pin Slew Rate Control (x = A-D, y = port pin), SRCON0x.y = 0, SRCON1x.y = 0. Dedicated SCK1 on RB7 or PPS remappable SPI onto pins RB5, RA1, and RB15.
			—	35	—	ns	(VDD ≥ 3.0V and the SMP bit (SPIxCON<9> = 1), I/O Pin Slew Rate Control (x = A-D, y = port pin), SRCON0x.y = 1, SRCON1x.y = 0. Dedicated SCK1 on RB7 or PPS remappable SPI onto pins RB5, RA1, and RB15.
			—	41	—	ns	(VDD ≥ 3.0V and the SMP bit (SPIxCON<9> = 1), I/O Pin Slew Rate Control (x = A-D, y = port pin), SRCON0x.y = 0, SRCON1x.y = 1. Dedicated SCK1 on RB7 or PPS remappable SPI onto pins RB5, RA1, and RB15.
			—	47	—	ns	(VDD ≥ 3.0V and the SMP bit (SPIxCON<9> = 1), I/O Pin Slew Rate Control (x = A-D, y = port pin), SRCON0x.y = 1, SRCON1x.y = 1. Dedicated SCK1 on RB7 or PPS remappable SPI onto pins RB5, RA1, and RB15.

- Note 1:** These parameters are characterized, but not tested in manufacturing.
Note 2: Data in the “Typical” column is at 3.3V, +25°C unless otherwise stated. Parameters are for design guidance only and are not tested.
Note 3: Assumes 30 pF load on all SPIx pins.

PIC32MK MCA Family

TABLE 35-30: SPIx HOST MODE (CKE = 0, SMP = 1) TIMING REQUIREMENTS (CONTINUED)

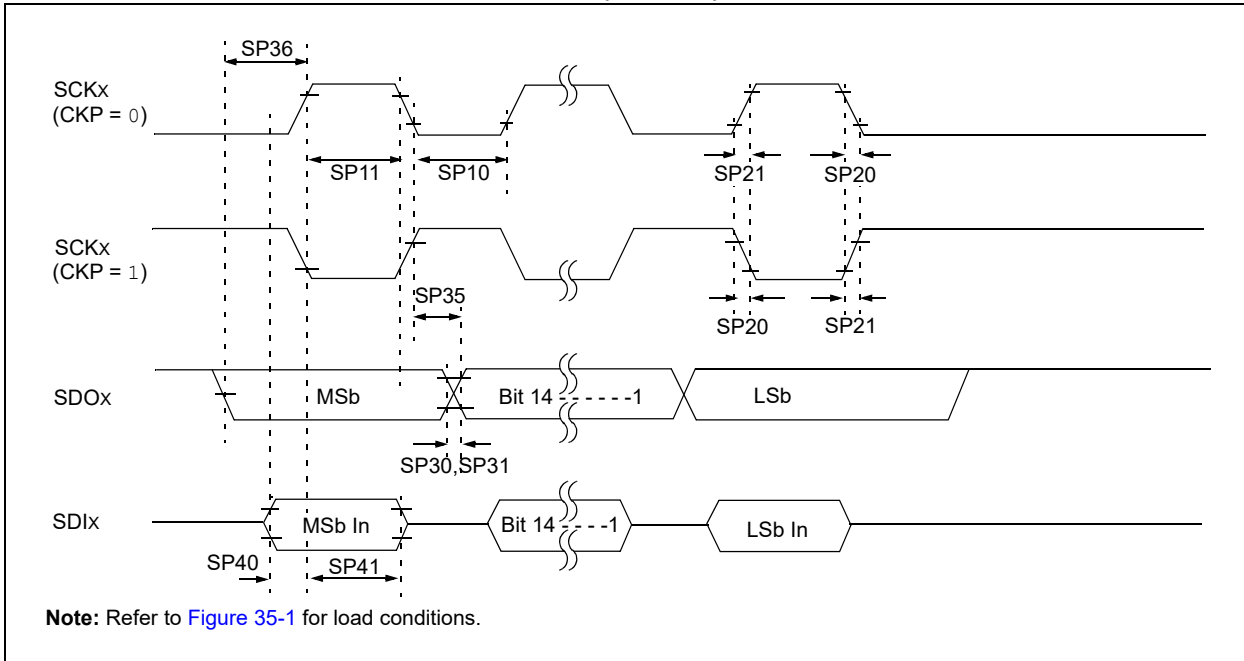
AC CHARACTERISTICS			Standard Operating Conditions: 2.3V to 3.6V (unless otherwise stated) Operating temperature -40°C ≤ TA ≤ +85°C for Industrial -40°C ≤ TA ≤ +125°C for Extended				
Param. No.	Symbol	Characteristics ⁽¹⁾	Min.	Typ. ⁽²⁾	Max.	Units	Conditions
SP9b	T _{SCK}	SCK2 Period (SPI2 only)	35.7	—	—	ns	(V _{DD} = 3.3V and the SMP bit (SPIxCON<9> = 1), I/O Pin Slew Rate Control (x = A-D, y = port pin), SRCON0x.y = 0, SRCON1x.y = 0.
			—	64	—	ns	(V _{DD} ≥ 3.0V and the SMP bit (SPIxCON<9> = 1), I/O Pin Slew Rate Control (x = A-D, y = port pin), SRCON0x.y = 1, SRCON1x.y = 0.
			—	82	—	ns	(V _{DD} ≥ 3.0V and the SMP bit (SPIxCON<9> = 1), I/O Pin Slew Rate Control (x = A-D, y = port pin), SRCON0x.y = 0, SRCON1x.y = 1.
			—	97	—	ns	(V _{DD} ≥ 3.0V and the SMP bit (SPIxCON<9> = 1), I/O Pin Slew Rate Control (x = A-D, y = port pin), SRCON0x.y = 1, SRCON1x.y = 1.
SP10	T _{sCL}	SCKx Output Low Time	T _{SCK} /2	—	—	ns	—
SP11	T _{sCH}	SCKx Output High Time	T _{SCK} /2	—	—	ns	—
SP20	T _{sCF}	SCKx Output Fall Time (Note 3)	—	—	—	ns	See parameter DO32
SP21	T _{sCR}	SCKx Output Rise Time (Note 3)	—	—	—	ns	See parameter DO31
SP30	T _{DOF}	SDOx Data Output Fall Time (Note 3)	—	—	—	ns	See parameter DO32
SP31	T _{DO R}	SDOx Data Output Rise Time (Note 3)	—	—	—	ns	See parameter DO31
SP35	T _{sCH2DOV} , T _{sCL2DOV}	SDOx Data Output Valid after SCKx Edge	—	—	7	ns	V _{DD} > 3.0V
			—	—	10	ns	V _{DD} < 3.0V
SP40	T _{DI V2sCH} , T _{DI V2sCL}	Setup Time of SDIx Data Input to SCKx Edge	5	—	—	ns	—
SP41	T _{sCH2DI L} , T _{sCL2DI L}	Hold Time of SDIx Data Input to SCKx Edge	5	—	—	ns	—

Note 1: These parameters are characterized, but not tested in manufacturing.

Note 2: Data in the “Typical” column is at 3.3V, +25°C unless otherwise stated. Parameters are for design guidance only and are not tested.

Note 3: Assumes 30 pF load on all SPIx pins.

FIGURE 35-11: SPIx MODULE HOST MODE (CKE = 1) TIMING CHARACTERISTICS



PIC32MK MCA Family

TABLE 35-31: SPIx MODULE HOST MODE (CKE = 1, SMP = 1) TIMING REQUIREMENTS

AC CHARACTERISTICS			Standard Operating Conditions: 2.3V to 3.6V (unless otherwise stated) Operating temperature -40°C ≤ TA ≤ +85°C for Industrial -40°C ≤ TA ≤ +125°C for Extended				
Param. No.	Symbol	Characteristics ⁽¹⁾	Min.	Typ. ⁽²⁾	Max.	Units	Conditions
SP9a	TSCK	SCK1 Period	22.7	—	—	ns	(VDD = 3.3V and the SMP bit (SPIx-CON<9> = 1), I/O Pin Slew Rate Control (x = A-D, y = port pin), SRCON0x.y = 0, SRCON1x.y = 0. Dedicated SCK1 on RB7 or PPS remappable SPI onto pins RB5, RA1, and RB15.
			—	27	—	ns	(VDD ≥ 3.0V and the SMP bit (SPIx-CON<9> = 1), I/O Pin Slew Rate Control (x = A-D, y = port pin), SRCON0x.y = 1, SRCON1x.y = 0. Dedicated SCK1 on RB7 or PPS remappable SPI onto pins RB5, RA1, and RB15.
			—	33	—	ns	(VDD ≥ 3.0V and the SMP bit (SPIx-CON<9> = 1), I/O Pin Slew Rate Control (x = A-D, y = port pin), SRCON0x.y = 0, SRCON1x.y = 1. Dedicated SCK1 on RB7 or PPS remappable SPI onto pins RB5, RA1, and RB15.
			—	39	—	ns	(VDD ≥ 3.0V and the SMP bit (SPIx-CON<9> = 1), I/O Pin Slew Rate Control (x = A-D, y = port pin), SRCON0x.y = 1, SRCON1x.y = 1. Dedicated SCK1 on RB7 or PPS remappable SPI onto pins RB5, RA1, and RB15.

Note 1: These parameters are characterized, but not tested in manufacturing.

2: Data in the “Typical” column is at 3.3V, +25°C unless otherwise stated. Parameters are for design guidance only and are not tested.

3: Assumes 10 pF load on all SPIx pins.

PIC32MK MCA Family

TABLE 35-31: SPIx MODULE HOST MODE (CKE = 1, SMP = 1) TIMING REQUIREMENTS (CONTINUED)

AC CHARACTERISTICS			Standard Operating Conditions: 2.3V to 3.6V (unless otherwise stated) Operating temperature -40°C ≤ TA ≤ +85°C for Industrial -40°C ≤ TA ≤ +125°C for Extended				
Param. No.	Symbol	Characteristics ⁽¹⁾	Min.	Typ. ⁽²⁾	Max.	Units	Conditions
SP9b	T _{SCK}	SCK2 Period	35.7	—	—	ns	(V _{DD} = 3.3V and the SMP bit (SPIx-CON<9> = 1), I/O Pin Slew Rate Control (x = A-D, y = port pin), SRCON0x.y = 0, SRCON1x.y = 0. All other remappable SPI pins not contained in conditions for parameter SP9a.
			—	41	—	ns	(V _{DD} ≥ 3.0V and the SMP bit (SPIx-CON<9> = 1), I/O Pin Slew Rate Control (x = A-D, y = port pin), SRCON0x.y = 1, SRCON1x.y = 0. All other remappable SPI pins not contained in conditions for parameter SP9a.
			—	59	—	ns	(V _{DD} ≥ 3.0V and the SMP bit (SPIx-CON<9> = 1), I/O Pin Slew Rate Control (x = A-D, y = port pin), SRCON0x.y = 0, SRCON1x.y = 1. All other remappable SPI pins not contained in conditions for parameter SP9a.
			—	74	—	ns	(V _{DD} ≥ 3.0V and the SMP bit (SPIx-CON<9> = 1), I/O Pin Slew Rate Control (x = A-D, y = port pin), SRCON0x.y = 1, SRCON1x.y = 1. All other remappable SPI pins not contained in conditions for parameter SP9a.
SP10	T _{sCL}	SCKx Output Low Time	T _{SCK} /2	—	—	ns	—
SP11	T _{sCH}	SCKx Output High Time	T _{SCK} /2	—	—	ns	—
SP20	T _{sCF}	SCKx Output Fall Time (Note 3)	—	—	—	ns	See parameter DO32
SP21	T _{sCR}	SCKx Output Rise Time (Note 3)	—	—	—	ns	See parameter DO31
SP30	T _{DOF}	SDOx Data Output Fall Time (Note 3)	—	—	—	ns	See parameter DO32
SP30a	T _{SCK}	SCKx Period	20	—	—	ns	Dedicated SCK1 on RB7 or PPS remappable SPI onto pins RB5, RA1, and RB15.
SP30b			40	—	—	ns	All other remappable SPI pins not contained in conditions for parameter SP9a.
SP31	T _{DO} R	SDOx Data Output Rise Time (Note 3)	—	—	—	ns	See parameter DO31

Note 1: These parameters are characterized, but not tested in manufacturing.

2: Data in the “Typical” column is at 3.3V, +25°C unless otherwise stated. Parameters are for design guidance only and are not tested.

3: Assumes 10 pF load on all SPIx pins.

PIC32MK MCA Family

TABLE 35-31: SPIx MODULE HOST MODE (CKE = 1, SMP = 1) TIMING REQUIREMENTS (CONTINUED)

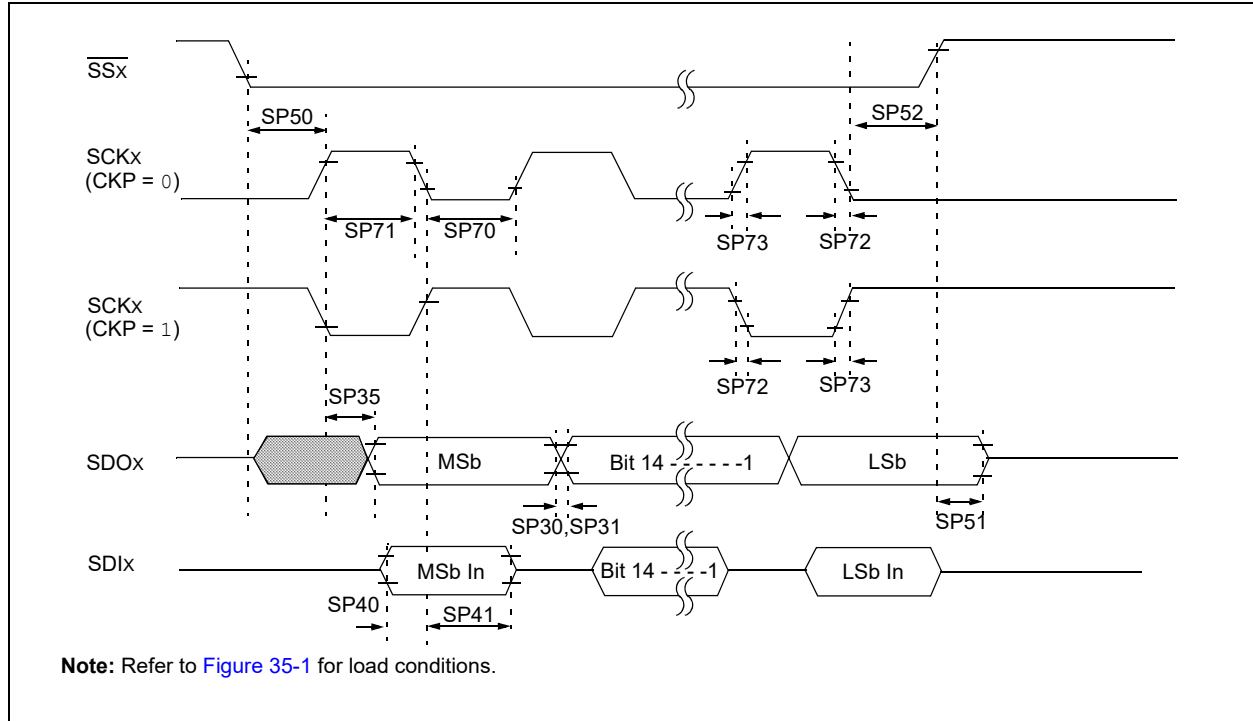
AC CHARACTERISTICS			Standard Operating Conditions: 2.3V to 3.6V (unless otherwise stated) Operating temperature -40°C ≤ TA ≤ +85°C for Industrial -40°C ≤ TA ≤ +125°C for Extended				
Param. No.	Symbol	Characteristics ⁽¹⁾	Min.	Typ. ⁽²⁾	Max.	Units	Conditions
SP35	Tsch2doV, TscL2doV	SDOx Data Output Valid after SCKx Edge	—	—	7	ns	VDD > 2.7V
			—	—	10		VDD < 2.7V
SP36	TdoV2sc, TdoV2scl	SDOx Data Output Setup to First SCKx Edge	7	—	—	ns	—
SP40	TdiV2sch, TdiV2scl	Setup Time of SDIx Data Input to SCKx Edge	7	—	—	ns	VDD > 2.7V
			10				VDD < 2.7V
SP41	Tsch2diL, TscL2diL	Hold Time of SDIx Data Input to SCKx Edge	7	—	—	ns	VDD > 2.7V
			10	—	—	ns	VDD < 2.7V

Note 1: These parameters are characterized, but not tested in manufacturing.

2: Data in the “Typical” column is at 3.3V, +25°C unless otherwise stated. Parameters are for design guidance only and are not tested.

3: Assumes 10 pF load on all SPIx pins.

FIGURE 35-12: SPIx MODULE CLIENT MODE (CKE = 0) TIMING CHARACTERISTICS



PIC32MK MCA Family

TABLE 35-32: SPIx MODULE CLIENT MODE (CKE = 0, SMP = 1) TIMING REQUIREMENTS

AC CHARACTERISTICS			Standard Operating Conditions: 2.3V to 3.6V (unless otherwise stated) Operating temperature $-40^{\circ}\text{C} \leq T_A \leq +85^{\circ}\text{C}$ for Industrial $-40^{\circ}\text{C} \leq T_A \leq +125^{\circ}\text{C}$ for Extended				
Param. No.	Symbol	Characteristics ⁽¹⁾	Min.	Typ. ⁽²⁾	Max.	Units	Conditions
SP9a	T _{SCK}	SCKx Period	20	—	—	ns	(V _{DD} ≥ 3.0V and the SMP bit (SPIxCON<9> = 1), I/O Pin Slew Rate Control (x = A-D, y = port pin), SRCON0x.y = 0, SRCON1x.y = 0) Dedicated SCK1 on RB7 or PPS remappable SPI onto pins RB5, RA1, and RB15.
			27	—	—	ns	(V _{DD} ≥ 3.0V and the SMP bit (SPIxCON<9> = 1), I/O Pin Slew Rate Control (x = A-D, y = port pin), SRCON0x.y = 1, SRCON1x.y = 0) Dedicated SCK1 on RB7 or PPS remappable SPI onto pins RB5, RA1, and RB15.
			33	—	—	ns	(V _{DD} ≥ 3.0V and the SMP bit (SPIxCON<9> = 1), I/O Pin Slew Rate Control (x = A-D, y = port pin), SRCON0x.y = 0, SRCON1x.y = 1) Dedicated SCK1 on RB7 or PPS remappable SPI onto pins RB5, RA1, and RB15.
			39	—	—	ns	(V _{DD} ≥ 3.0V and the SMP bit (SPIxCON<9> = 1), I/O Pin Slew Rate Control (x = A-D, y = port pin), SRCON0x.y = 1, SRCON1x.y = 1) Dedicated SCK1 on RB7 or PPS remappable SPI onto pins RB5, RA1, and RB15.

Note 1: These parameters are characterized, but not tested in manufacturing.

2: Data in the “Typical” column is at 3.3V, +25°C unless otherwise stated. Parameters are for design guidance only and are not tested.

3: Assumes 10 pF load on all SPIx pins.

PIC32MK MCA Family

TABLE 35-32: SPIx MODULE CLIENT MODE (CKE = 0, SMP = 1) TIMING REQUIREMENTS (CONTINUED)

AC CHARACTERISTICS			Standard Operating Conditions: 2.3V to 3.6V (unless otherwise stated) Operating temperature -40°C ≤ TA ≤ +85°C for Industrial -40°C ≤ TA ≤ +125°C for Extended				
Param. No.	Symbol	Characteristics ⁽¹⁾	Min.	Typ. ⁽²⁾	Max.	Units	Conditions
SP9b	T _{SCK}	SCKx Period	22	—	—	ns	(V _{DD} ≥ 3.0V and the SMP bit (SPIxCON<9> = 1), I/O Pin Slew Rate Control (x = A-D, y = port pin), SRCON0x.y = 0, SRCON1x.y = 0 All other remappable SPI pins not contained in conditions for parameter SP9a.
			41	—	—	ns	(V _{DD} ≥ 3.0V and the SMP bit (SPIxCON<9> = 1), I/O Pin Slew Rate Control (x = A-D, y = port pin), SRCON0x.y = 1, SRCON1x.y = 0 All other remappable SPI pins not contained in conditions for parameter SP9a.
			59	—	—	ns	(V _{DD} ≥ 3.0V and the SMP bit (SPIxCON<9> = 1), I/O Pin Slew Rate Control (x = A-D, y = port pin), SRCON0x.y = 0, SRCON1x.y = 1 All other remappable SPI pins not contained in conditions for parameter SP9a.
			74	—	—	ns	(V _{DD} ≥ 3.0V and the SMP bit (SPIxCON<9> = 1), I/O Pin Slew Rate Control (x = A-D, y = port pin), SRCON0x.y = 1, SRCON1x.y = 1 All other remappable SPI pins not contained in conditions for parameter SP9a.
SP70	T _{sCL}	SCKx Input Low Time	T _{SCK} /2	—	—	ns	—
SP71	T _{sCH}	SCKx Input High Time	T _{SCK} /2	—	—	ns	—
SP72	T _{sCF}	SCKx Input Fall Time	—	—	—	ns	See parameter DO32
SP73	T _{sCR}	SCKx Input Rise Time	—	—	—	ns	See parameter DO31
SP30	T _{doF}	SDOx Data Output Fall Time (Note 3)	—	—	—	ns	See parameter DO32
SP31	T _{doR}	SDOx Data Output Rise Time (Note 3)	—	—	—	ns	See parameter DO31
SP35	T _{sCH2doV} , T _{sCL2doV}	SDOx Data Output Valid after SCKx Edge	—	—	7	ns	V _{DD} > 2.7V
			—	—	10	ns	V _{DD} < 2.7V
SP40	T _{dIV2sCH} , T _{dIV2sCL}	Setup Time of SDIx Data Input to SCKx Edge	5	—	—	ns	—

Note 1: These parameters are characterized, but not tested in manufacturing.

2: Data in the “Typical” column is at 3.3V, +25°C unless otherwise stated. Parameters are for design guidance only and are not tested.

3: Assumes 10 pF load on all SPIx pins.

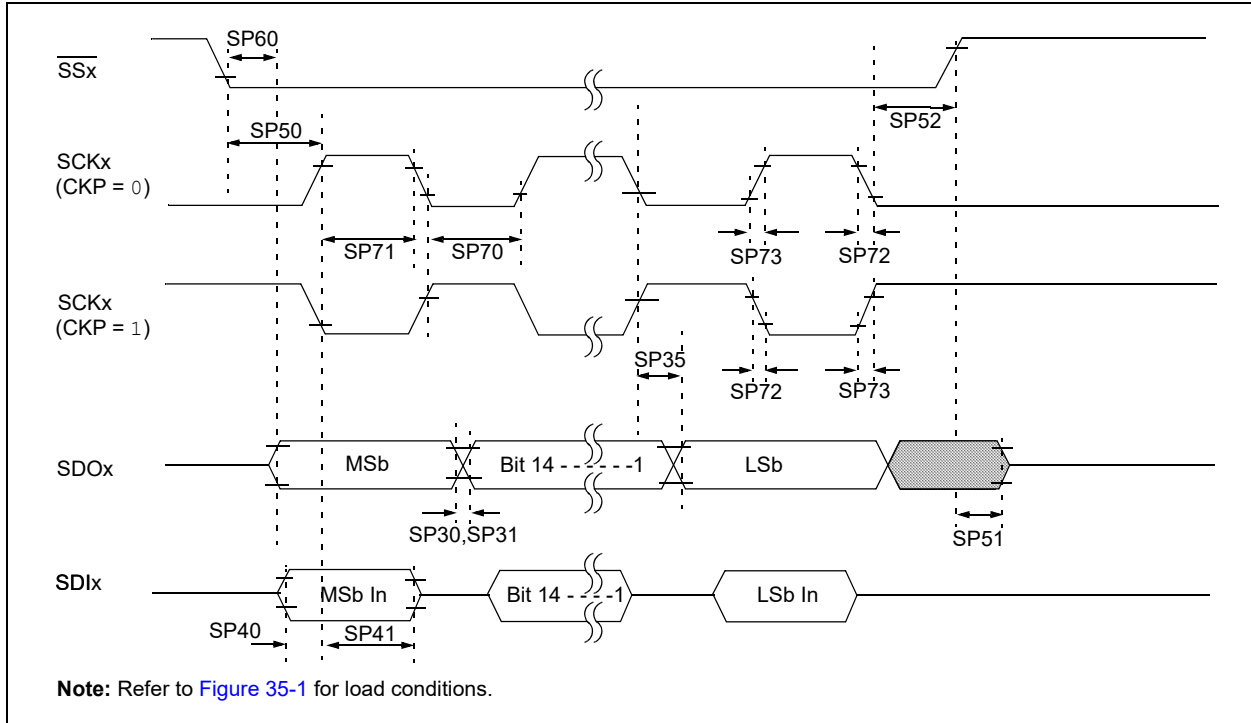
PIC32MK MCA Family

TABLE 35-32: SPIx MODULE CLIENT MODE (CKE = 0, SMP = 1) TIMING REQUIREMENTS (CONTINUED)

AC CHARACTERISTICS			Standard Operating Conditions: 2.3V to 3.6V (unless otherwise stated) Operating temperature $-40^{\circ}\text{C} \leq T_A \leq +85^{\circ}\text{C}$ for Industrial $-40^{\circ}\text{C} \leq T_A \leq +125^{\circ}\text{C}$ for Extended				
Param. No.	Symbol	Characteristics ⁽¹⁾	Min.	Typ. ⁽²⁾	Max.	Units	Conditions
SP41	Tsch2dIL, TscL2dIL	Hold Time of SDIx Data Input to SCKx Edge	5	—	—	ns	—
SP50	TssL2sch, TssL2scl	SSx ↓ to SCKx ↑ or SCKx Input	88	—	—	ns	—
SP51	TssH2doZ	SSx ↑ to SDOx Output High-Impedance	2.5	—	12	ns	—
SP52	Tsch2ssh TscL2ssh	SSx after SCKx Edge	10	—	—	ns	—

- Note 1:** These parameters are characterized, but not tested in manufacturing.
Note 2: Data in the “Typical” column is at 3.3V, +25°C unless otherwise stated. Parameters are for design guidance only and are not tested.
Note 3: Assumes 10 pF load on all SPIx pins.

FIGURE 35-13: SPIx MODULE CLIENT MODE (CKE = 1) TIMING CHARACTERISTICS



PIC32MK MCA Family

TABLE 35-33: SPIx MODULE CLIENT MODE (CKE = 1, SMP = 1) TIMING REQUIREMENTS

AC CHARACTERISTICS			Standard Operating Conditions: 2.3V to 3.6V (unless otherwise stated) Operating temperature $-40^{\circ}\text{C} \leq T_A \leq +85^{\circ}\text{C}$ for Industrial $-40^{\circ}\text{C} \leq T_A \leq +125^{\circ}\text{C}$ for Extended				
Param. No.	Symbol	Characteristics ⁽¹⁾	Min.	Typ. ⁽²⁾	Max.	Units	Conditions
SP9a	Tsck	SCKx Period	20	—	—	ns	(VDD ≥ 3.0V and the SMP bit (SPIxCON<9> = 1), I/O Pin Slew Rate Control (x = A-D, y = port pin), SRCON0x.y = 0, SRCON1x.y = 0. Dedicated SCK1 on RB7 or PPS remappable SPI onto pins RB5, RA1, and RB15.
			27	—	—	ns	(VDD ≥ 3.0V and the SMP bit (SPIxCON<9> = 1), I/O Pin Slew Rate Control (x = A-D, y = port pin), SRCON0x.y = 1, SRCON1x.y = 0. Dedicated SCK1 on RB7 or PPS remappable SPI onto pins RB5, RA1, and RB15.
			33	—	—	ns	(VDD ≥ 3.0V and the SMP bit (SPIxCON<9> = 1), I/O Pin Slew Rate Control (x = A-D, y = port pin), SRCON0x.y = 0, SRCON1x.y = 1. Dedicated SCK1 on RB7 or PPS remappable SPI onto pins RB5, RA1, and RB15.
			39	—	—	ns	(VDD ≥ 3.0V and the SMP bit (SPIxCON<9> = 1), I/O Pin Slew Rate Control (x = A-D, y = port pin), SRCON0x.y = 1, SRCON1x.y = 1. Dedicated SCK1 on RB7 or PPS remappable SPI onto pins RB5, RA1, and RB15.

Note 1: These parameters are characterized, but not tested in manufacturing.

2: Data in the “Typical” column is at 3.3V, +25°C unless otherwise stated. Parameters are for design guidance only and are not tested.

3: Assumes 10 pF load on all SPIx pins.

PIC32MK MCA Family

TABLE 35-33: SPIx MODULE CLIENT MODE (CKE = 1, SMP = 1) TIMING REQUIREMENTS (CONTINUED)

AC CHARACTERISTICS			Standard Operating Conditions: 2.3V to 3.6V (unless otherwise stated) Operating temperature $-40^{\circ}\text{C} \leq T_A \leq +85^{\circ}\text{C}$ for Industrial $-40^{\circ}\text{C} \leq T_A \leq +125^{\circ}\text{C}$ for Extended				
Param. No.	Symbol	Characteristics ⁽¹⁾	Min.	Typ. ⁽²⁾	Max.	Units	Conditions
SP9b	T _{SCK}	SCKx Period	22	—	—	ns	(V _{DD} ≥ 3.0V and the SMP bit (SPIxCON<9> = 1), I/O Pin Slew Rate Control (x = A-D, y = port pin), SRCON0x.y = 0, SRCON1x.y = 0. All other remappable SPI pins not contained in conditions for parameter SP9a.
			41	—	—	ns	(V _{DD} ≥ 3.0V and the SMP bit (SPIxCON<9> = 1), I/O Pin Slew Rate Control (x = A-D, y = port pin), SRCON0x.y = 1, SRCON1x.y = 0. All other remappable SPI pins not contained in conditions for parameter SP9a.
			59	—	—	ns	(V _{DD} ≥ 3.0V and the SMP bit (SPIxCON<9> = 1), I/O Pin Slew Rate Control (x = A-D, y = port pin), SRCON0x.y = 0, SRCON1x.y = 1. All other remappable SPI pins not contained in conditions for parameter SP9a.
			74	—	—	ns	(V _{DD} ≥ 3.0V and the SMP bit (SPIxCON<9> = 1), I/O Pin Slew Rate Control (x = A-D, y = port pin), SRCON0x.y = 1, SRCON1x.y = 1. All other remappable SPI pins not contained in conditions for parameter SP9a.
SP70	T _{sCL}	SCKx Input Low Time	T _{sck} /2	—	—	ns	—
SP71	T _{sCH}	SCKx Input High Time	T _{sck} /2	—	—	ns	—
SP72	T _{sCF}	SCKx Input Fall Time	—	—	10	ns	—
SP73	T _{sCR}	SCKx Input Rise Time	—	—	10	ns	—
SP30	T _{doF}	SDOx Data Output Fall Time (Note 3)	—	—	—	ns	See parameter DO32
SP31	T _{doR}	SDOx Data Output Rise Time (Note 3)	—	—	—	ns	See parameter DO31
SP35	T _{sCH2DoV} , T _{sCL2DoV}	SDOx Data Output Valid after SCKx Edge	—	—	10	ns	V _{DD} > 2.7V
			—	—	15	ns	V _{DD} < 2.7V
SP40	T _{diV2sCH} , T _{diV2sCL}	Setup Time of SDIx Data Input to SCKx Edge	0	—	—	ns	—
SP41	T _{sCH2DiL} , T _{sCL2DiL}	Hold Time of SDIx Data Input to SCKx Edge	7	—	—	ns	—

Note 1: These parameters are characterized, but not tested in manufacturing.

2: Data in the “Typical” column is at 3.3V, +25°C unless otherwise stated. Parameters are for design guidance only and are not tested.

3: Assumes 10 pF load on all SPIx pins.

PIC32MK MCA Family

TABLE 35-33: SPIx MODULE CLIENT MODE (CKE = 1, SMP = 1) TIMING REQUIREMENTS (CONTINUED)

AC CHARACTERISTICS			Standard Operating Conditions: 2.3V to 3.6V (unless otherwise stated) Operating temperature $-40^{\circ}\text{C} \leq T_A \leq +85^{\circ}\text{C}$ for Industrial $-40^{\circ}\text{C} \leq T_A \leq +125^{\circ}\text{C}$ for Extended				
Param. No.	Symbol	Characteristics ⁽¹⁾	Min.	Typ. ⁽²⁾	Max.	Units	Conditions
SP50	TssL2sch, TssL2scl	$\overline{\text{SSx}} \downarrow$ to SCKx \downarrow or SCKx \uparrow Input	88	—	—	ns	—
SP51	TssH2doZ	$\overline{\text{SSx}} \uparrow$ to SDOx Output High-Impedance (Note 3)	2.5	—	12	ns	—
SP52	Tsch2ssH TscL2ssH	$\overline{\text{SSx}} \uparrow$ after SCKx Edge	10	—	—	ns	—
SP60	TssL2doV	SDOx Data Output Valid after $\overline{\text{SSx}}$ Edge	—	—	12.5	ns	—

Note 1: These parameters are characterized, but not tested in manufacturing.

Note 2: Data in the “Typical” column is at 3.3V, +25°C unless otherwise stated. Parameters are for design guidance only and are not tested.

Note 3: Assumes 10 pF load on all SPIx pins.

FIGURE 35-14: I2Cx BUS START/STOP BITS TIMING CHARACTERISTICS (HOST MODE)

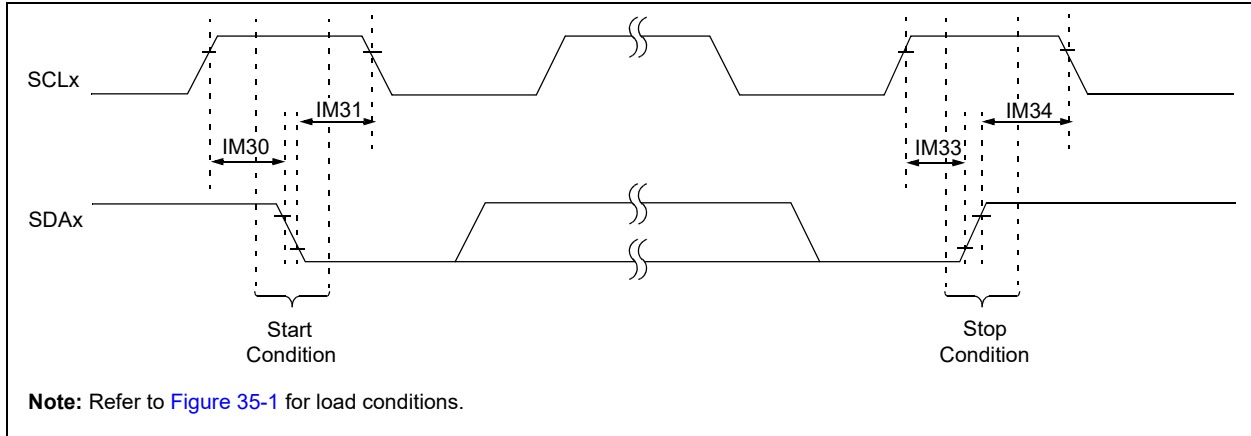


FIGURE 35-15: I2Cx BUS DATA TIMING CHARACTERISTICS (HOST MODE)

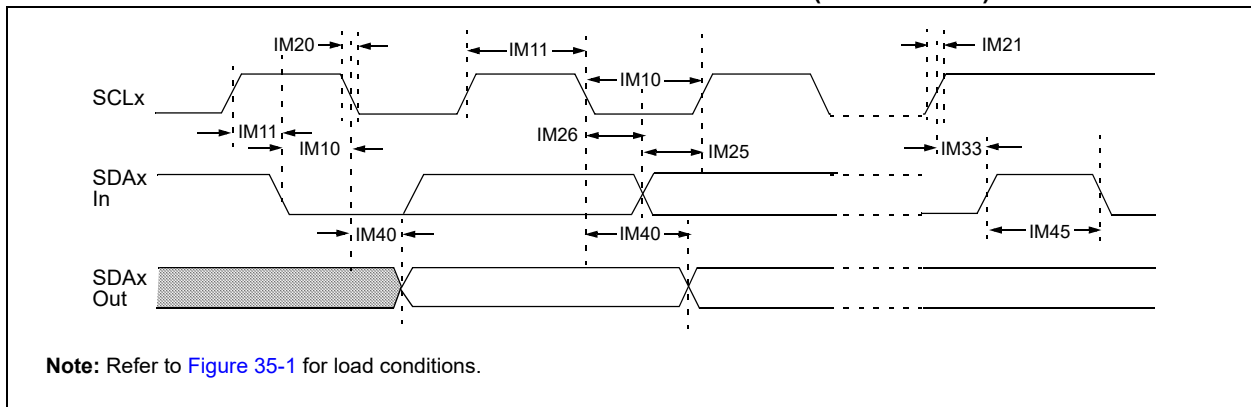


TABLE 35-34: I2Cx BUS DATA TIMING REQUIREMENTS (HOST MODE)

AC CHARACTERISTICS		Standard Operating Conditions: 2.3V to 3.6V (unless otherwise stated) Operating temperature 0°C ≤ TA ≤ +70°C for Commercial -40°C ≤ TA ≤ +85°C for Industrial -40°C ≤ TA ≤ +105°C for V-temp					
Param. No.	Symbol	Characteristics	Min. ⁽¹⁾	Max.	Units	Conditions	
IM10	TLO:SCL	Clock Low Time	100 kHz mode	TPB * (BRG + 2)	—	μs	—
			400 kHz mode	TPB * (BRG + 2)	—	μs	—
			1 MHz mode (Note 2)	TPB * (BRG + 2)	—	μs	—
IM11	THI:SCL	Clock High Time	100 kHz mode	TPB * (BRG + 2)	—	μs	—
			400 kHz mode	TPB * (BRG + 2)	—	μs	—
			1 MHz mode (Note 2)	TPB * (BRG + 2)	—	μs	—

Note 1: BRG is the value of the I²C Baud Rate Generator.

2: Maximum pin capacitance = 10 pF for all I2Cx pins (for 1 MHz mode only).

3: The typical value for this parameter is 104 ns.

PIC32MK MCA Family

TABLE 35-34: I2Cx BUS DATA TIMING REQUIREMENTS (HOST MODE) (CONTINUED)

AC CHARACTERISTICS				Standard Operating Conditions: 2.3V to 3.6V (unless otherwise stated) Operating temperature 0°C ≤ TA ≤ +70°C for Commercial -40°C ≤ TA ≤ +85°C for Industrial -40°C ≤ TA ≤ +105°C for V-temp			
Param. No.	Symbol	Characteristics	Min. ⁽¹⁾	Max.	Units	Conditions	
IM20	TF:SCL	SDAx and SCLx Fall Time	100 kHz mode	—	300	ns	CB is specified to be from 10 to 200 pF
			400 kHz mode	20 + 0.1 CB	300	ns	
			1 MHz mode (Note 2)	—	100	ns	
IM21	TR:SCL	SDAx and SCLx Rise Time	100 kHz mode	—	1000	ns	CB is specified to be from 10 to 200 pF
			400 kHz mode	20 + 0.1 CB	300	ns	
			1 MHz mode (Note 2)	—	300	ns	
IM25	TSU:DAT	Data Input Setup Time	100 kHz mode	250	—	ns	—
			400 kHz mode	100	—	ns	
			1 MHz mode (Note 2)	100	—	ns	
IM26	THD:DAT	Data Input Hold Time	100 kHz mode	0	—	μs	—
			400 kHz mode	0	0.9	μs	
			1 MHz mode (Note 2)	0	0.3	μs	
IM30	TSU:STA	Start Condition Setup Time	100 kHz mode	TPB * (BRG + 2)	—	μs	Only relevant for Repeated Start condition
			400 kHz mode	TPB * (BRG + 2)	—	μs	
			1 MHz mode (Note 2)	TPB * (BRG + 2)	—	μs	
IM31	THD:STA	Start Condition Hold Time	100 kHz mode	TPB * (BRG + 2)	—	μs	After this period, the first clock pulse is generated
			400 kHz mode	TPB * (BRG + 2)	—	μs	
			1 MHz mode (Note 2)	TPB * (BRG + 2)	—	μs	
IM33	TSU:STO	Stop Condition Setup Time	100 kHz mode	TPB * (BRG + 2)	—	μs	—
			400 kHz mode	TPB * (BRG + 2)	—	μs	
			1 MHz mode (Note 2)	TPB * (BRG + 2)	—	μs	
IM34	THD:STO	Stop Condition Hold Time	100 kHz mode	TPB * (BRG + 2)	—	ns	—
			400 kHz mode	TPB * (BRG + 2)	—	ns	
			1 MHz mode (Note 2)	TPB * (BRG + 2)	—	ns	
IM40	TAA:SCL	Output Valid from Clock	100 kHz mode	—	3500	ns	—
			400 kHz mode	—	1000	ns	—
			1 MHz mode (Note 2)	—	350	ns	—

Note 1: BRG is the value of the I²C Baud Rate Generator.

2: Maximum pin capacitance = 10 pF for all I2Cx pins (for 1 MHz mode only).

3: The typical value for this parameter is 104 ns.

PIC32MK MCA Family

TABLE 35-34: I2Cx BUS DATA TIMING REQUIREMENTS (HOST MODE) (CONTINUED)

AC CHARACTERISTICS				Standard Operating Conditions: 2.3V to 3.6V (unless otherwise stated) Operating temperature 0°C ≤ TA ≤ +70°C for Commercial -40°C ≤ TA ≤ +85°C for Industrial -40°C ≤ TA ≤ +105°C for V-temp			
Param. No.	Symbol	Characteristics		Min. ⁽¹⁾	Max.	Units	Conditions
IM45	TBF:SDA	Bus Free Time	100 kHz mode	4.7	—	μs	The amount of time the bus must be free before a new transmission can start
			400 kHz mode	1.3	—	μs	
			1 MHz mode (Note 2)	0.5	—	μs	
IM50	CB	Bus Capacitive Loading		—	200	pF	—
IM51	TPGD	Pulse Gobbler Delay		52	312	ns	See Note 3

Note 1: BRG is the value of the I²C Baud Rate Generator.

2: Maximum pin capacitance = 10 pF for all I2Cx pins (for 1 MHz mode only).

3: The typical value for this parameter is 104 ns.

PIC32MK MCA Family

FIGURE 35-16: I2Cx BUS START/STOP BITS TIMING CHARACTERISTICS (CLIENT MODE)

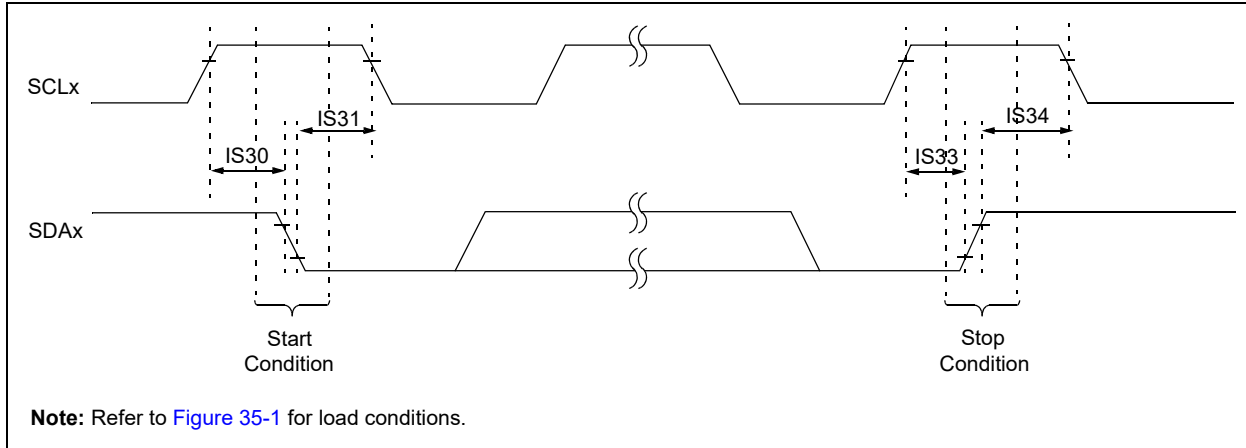


FIGURE 35-17: I2Cx BUS DATA TIMING CHARACTERISTICS (CLIENT MODE)

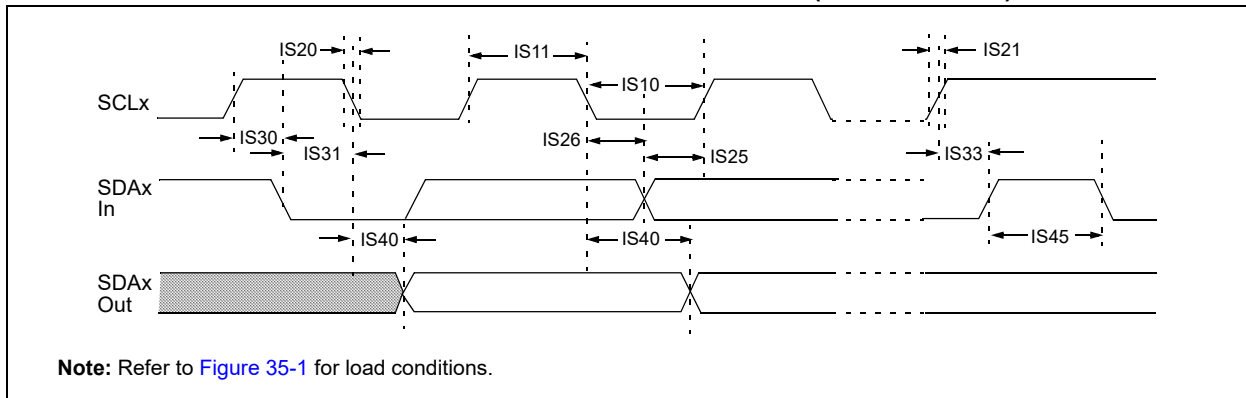


TABLE 35-35: I2Cx BUS DATA TIMING REQUIREMENTS (CLIENT MODE)

AC CHARACTERISTICS		Standard Operating Conditions: 2.3V to 3.6V (unless otherwise stated) Operating temperature 0°C ≤ TA ≤ +70°C for Commercial -40°C ≤ TA ≤ +85°C for Industrial -40°C ≤ TA ≤ +105°C for V-temp					
Param. No.	Symbol	Characteristics		Min.	Max.	Units	Conditions
IS10	TLO:SCL	Clock Low Time	100 kHz mode	4.7	—	μs	PBCLK must operate at a minimum of 800 kHz
			400 kHz mode	1.3	—	μs	PBCLK must operate at a minimum of 3.2 MHz
			1 MHz mode (Note 1)	0.5	—	μs	—
IS11	THI:SCL	Clock High Time	100 kHz mode	4.0	—	μs	PBCLK must operate at a minimum of 800 kHz
			400 kHz mode	0.6	—	μs	PBCLK must operate at a minimum of 3.2 MHz
			1 MHz mode (Note 1)	0.5	—	μs	—

Note 1: Maximum pin capacitance = 10 pF for all I2Cx pins (for 1 MHz mode only).

PIC32MK MCA Family

TABLE 35-35: I2Cx BUS DATA TIMING REQUIREMENTS (CLIENT MODE) (CONTINUED)

AC CHARACTERISTICS				Standard Operating Conditions: 2.3V to 3.6V (unless otherwise stated) Operating temperature 0°C ≤ TA ≤ +70°C for Commercial -40°C ≤ TA ≤ +85°C for Industrial -40°C ≤ TA ≤ +105°C for V-temp			
Param. No.	Symbol	Characteristics		Min.	Max.	Units	Conditions
IS20	TF:SCL	SDAx and SCLx Fall Time	100 kHz mode	—	300	ns	CB is specified to be from 10 to 200 pF
			400 kHz mode	20 + 0.1 CB	300	ns	
			1 MHz mode (Note 1)	—	100	ns	
IS21	TR:SCL	SDAx and SCLx Rise Time	100 kHz mode	—	1000	ns	CB is specified to be from 10 to 200 pF
			400 kHz mode	20 + 0.1 CB	300	ns	
			1 MHz mode (Note 1)	—	300	ns	
IS25	TSU:DAT	Data Input Setup Time	100 kHz mode	250	—	ns	—
			400 kHz mode	100	—	ns	
			1 MHz mode (Note 1)	100	—	ns	
IS26	THD:DAT	Data Input Hold Time	100 kHz mode	0	—	ns	—
			400 kHz mode	0	0.9	µs	
			1 MHz mode (Note 1)	0	0.3	µs	
IS30	TSU:STA	Start Condition Setup Time	100 kHz mode	4700	—	ns	Only relevant for Repeated Start condition
			400 kHz mode	600	—	ns	
			1 MHz mode (Note 1)	250	—	ns	
IS31	THD:STA	Start Condition Hold Time	100 kHz mode	4000	—	ns	After this period, the first clock pulse is generated
			400 kHz mode	600	—	ns	
			1 MHz mode (Note 1)	250	—	ns	
IS33	TSU:STO	Stop Condition Setup Time	100 kHz mode	4000	—	ns	—
			400 kHz mode	600	—	ns	
			1 MHz mode (Note 1)	600	—	ns	
IS34	THD:STO	Stop Condition Hold Time	100 kHz mode	4000	—	ns	—
			400 kHz mode	600	—	ns	
			1 MHz mode (Note 1)	250	—	ns	
IS40	TAA:SCL	Output Valid from Clock	100 kHz mode	0	3500	ns	—
			400 kHz mode	0	1000	ns	
			1 MHz mode (Note 1)	0	350	ns	
IS45	TBF:SDA	Bus Free Time	100 kHz mode	4.7	—	µs	The amount of time the bus must be free before a new transmission can start
			400 kHz mode	1.3	—	µs	
			1 MHz mode (Note 1)	0.5	—	µs	
IS50	CB	Bus Capacitive Loading		—	400	pF	—

Note 1: Maximum pin capacitance = 10 pF for all I2Cx pins (for 1 MHz mode only).

PIC32MK MCA Family

FIGURE 35-18: QEI MODULE EXTERNAL CLOCK TIMING CHARACTERISTICS

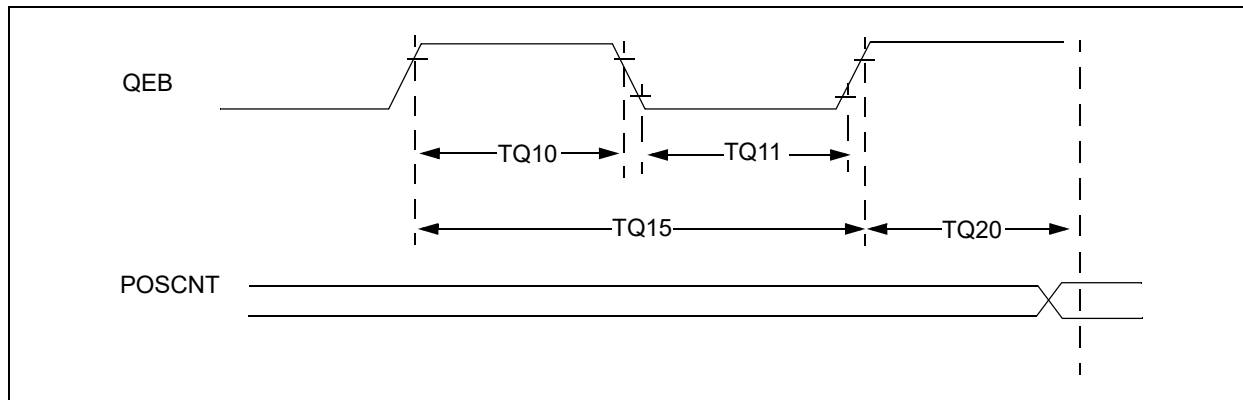


TABLE 35-36: QEI MODULE EXTERNAL CLOCK TIMING REQUIREMENTS

AC CHARACTERISTICS		Standard Operating Conditions: 2.3V to 3.6V (unless otherwise stated) Operating temperature $-40^{\circ}\text{C} \leq T_A \leq +85^{\circ}\text{C}$ for Industrial $-40^{\circ}\text{C} \leq T_A \leq +125^{\circ}\text{C}$ for Extended						
Param No.	Symbol	Characteristic ⁽¹⁾		Min.	Typ.	Max.	Units	Conditions
TQ10	TtQH	TQCK High Time	Synchronous, with prescaler	$[(12.5 \text{ or } 0.5 T_{CY}) / N] + 25$	—	—	ns	Must also meet parameter TQ15. N = 1, 2, 4, 16, 32, 64, 128 and 256 (Note 2)
TQ11	TtQL	TQCK Low Time	Synchronous, with prescaler	$[(12.5 \text{ or } 0.5 T_{CY}) / N] + 25$	—	—	ns	Must also meet parameter TQ15. N = 1, 2, 4, 16, 32, 64, 128 and 256 (Note 2)
TQ15	TtQP	TQCP Input Period	Synchronous, with prescaler	$[(25 \text{ or } T_{CY}) / N] + 50$	—	—	ns	N = 1, 2, 4, 16, 32, 64, 128 and 256 (Note 2)
TQ20	TCKEXTMRL	Delay from External TxCK Clock Edge to Timer Increment		—	1	T _{CY}	—	—

Note 1: These parameters are characterized but not tested in manufacturing.

Note 2: N = Index Channel Digital Filter Clock Divide Select bits.

FIGURE 35-19: QEA/QEB INPUT CHARACTERISTICS

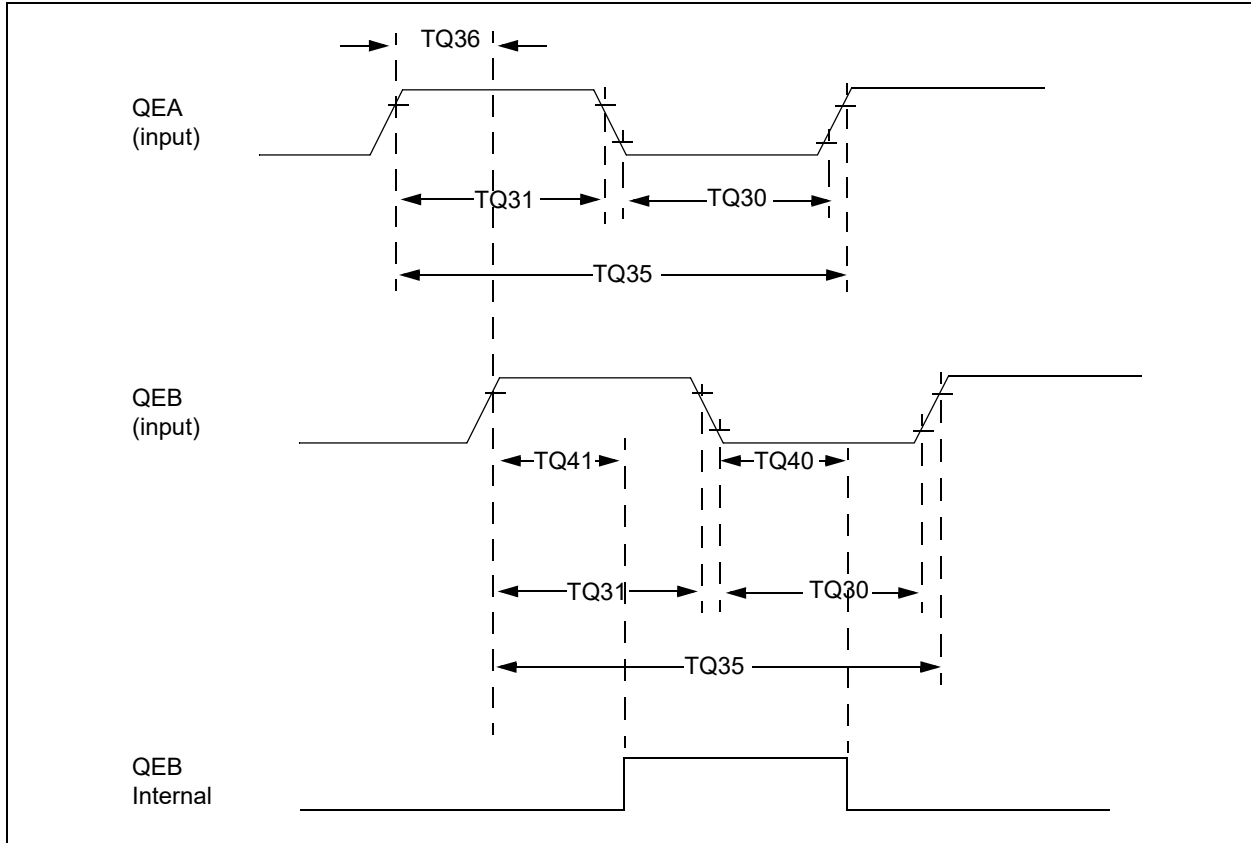


TABLE 35-37: QUADRATURE DECODER TIMING REQUIREMENTS

AC CHARACTERISTICS		Standard Operating Conditions: 2.3V to 3.6V (unless otherwise stated) Operating temperature $-40^{\circ}\text{C} \leq T_A \leq +85^{\circ}\text{C}$ for Industrial $-40^{\circ}\text{C} \leq T_A \leq +125^{\circ}\text{C}$ for Extended				
Param No.	Symbol	Characteristic ⁽¹⁾	Typ. ⁽²⁾	Max.	Units	Conditions
TQ30	TQuL	Quadrature Input Low Time	6 T _{CY}	—	ns	—
TQ31	TQuH	Quadrature Input High Time	6 T _{CY}	—	ns	—
TQ35	TQuIN	Quadrature Input Period	12 T _{CY}	—	ns	—
TQ36	TQuP	Quadrature Phase Period	3 T _{CY}	—	ns	—
TQ40	TQuFL	Filter Time to Recognize Low, with Digital Filter	3 * N * T _{CY}	—	ns	N = 1, 2, 4, 16, 32, 64, 128 and 256 (Note 3)
TQ41	TQuFH	Filter Time to Recognize High, with Digital Filter	3 * N * T _{CY}	—	ns	N = 1, 2, 4, 16, 32, 64, 128 and 256 (Note 3)

Note 1: These parameters are characterized but not tested in manufacturing.

2: Data in “Typical” column is at 3.3V, 25°C unless otherwise stated. Parameters are for design guidance only and are not tested.

3: N = Index Channel Digital Filter Clock Divide Select bits.

PIC32MK MCA Family

TABLE 35-38: ADC MODULE SPECIFICATIONS

AC CHARACTERISTICS			Standard Operating Conditions: 2.5V to 3.6V (unless otherwise stated) Operating temperature $-40^{\circ}\text{C} \leq T_A \leq +85^{\circ}\text{C}$ for Industrial $-40^{\circ}\text{C} \leq T_A \leq +125^{\circ}\text{C}$ for Extended				
Param. No.	Symbol	Characteristics	Min.	Typ.	Max.	Units	Conditions
Device Supply							
AD01	AVDD	Module VDD Supply	Greater of VDD – 0.3 or 2.3	—	Lesser of VDD + 0.3 or 3.6	V	—
AD02	AVSS	Module Vss Supply	Vss	—	Vss + 0.3	V	—
Reference Inputs							
AD05	VREFH	Reference Voltage High	VREFL + 1.8	—	AVDD	V	(Note 1)
AD06	VREFL	Reference Voltage Low	AVSS	—	VREFH – 1.8	V	(Note 1)
AD07	VREF	Absolute Reference Voltage (VREFH – VREFL)	1.8	—	AVDD	V	(Note 2)
AD08	IREF	Current Drain	—	102	—	μA	ADC is operating or is in Stand-by.
	IVREF	Bandgap Reference	1.145	1.2	1.255	V	
Analog Input							
AD12	VINH-VINL	Full-Scale Input Span	VREFL	—	VREFH	V	—
AD13	VINL	Absolute VINL Input Voltage	AVSS	—	VREFL	V	—
AD14	VINH	Absolute VINH Input Voltage	AVSS	—	VREFH	V	—
ADC Accuracy – Measurements with External VREF+/VREF-							
AD20c	Nr	Resolution	6	—	12	bits	Selectable 6, 8, 10, 12 Resolution Ranges
AD21c	INL	Integral Nonlinearity	-3.5	± 1.5	+3.5	LSb	AVSS = VREFL = 0V, AVDD = VREFH = 3.3V (Note 4)
AD22c	DNL	Differential Nonlinearity	-1	1.2	3	LSb	AVSS = VREFL = 0V, AVDD = VREFH = 3.3V (Note 4)
AD23c	GERR	Gain Error	-8	1	8	LSb	AVSS = VREFL = 0V, AVDD = VREFH = 3.3V, Gain error includes offset error. (Note 4)
AD24c	EOFF	Offset Error	-5	-0.5	5	LSb	AVSS = 0V, AVDD = 3.3V (Note 4)
AD25c	—	Monotonicity	—	—	—	—	Guaranteed (Note 2)
Dynamic Performance							
AD31b	SINAD	Signal to Noise and Distortion	—	67	—	dB	Single-ended (Notes 2,3)
AD34b	ENOB	Effective Number of bits	—	10.8	—	bits	(Notes 2,3)

Note 1: These parameters are not characterized or tested in manufacturing.

2: These parameters are characterized, but not tested in manufacturing.

3: Characterized with a 1 kHz sine wave.

4: Tested on single ADC core, operating in Single-ended mode.

PIC32MK MCA Family

TABLE 35-39: ANALOG-TO-DIGITAL CONVERSION TIMING REQUIREMENTS

AC CHARACTERISTICS ⁽²⁾			Standard Operating Conditions: 2.5V to 3.6V (unless otherwise stated) Operating temperature $-40^{\circ}\text{C} \leq T_A \leq +85^{\circ}\text{C}$ for Industrial $-40^{\circ}\text{C} \leq T_A \leq +125^{\circ}\text{C}$ for Extended				
Param. No.	Symbol	Characteristics	Min.	Typ. ⁽¹⁾	Max.	Units	Conditions
Clock Parameters							
AD50	TAD	ADC Clock Period	16.667	—	6250	ns	—
Throughput Rate							
AD51	FTP	Sample Rate for ADC0-ADC1 (Class 1 Inputs)	—	—	3.75	Msp	12-bit resolution Source Impedance $\leq 200\Omega$
			—	—	4.284	Msp	10-bit resolution Source Impedance $\leq 200\Omega$
			—	—	4.992	Msp	8-bit resolution Source Impedance $\leq 200\Omega$
			—	—	6	Msp	6-bit resolution Source Impedance $\leq 200\Omega$
	Sample Rate for ADC7 (Class 2 Inputs)	—	—	3.53	Msp	12-bit resolution Source Impedance $\leq 200\Omega$	
		—	—	4.00	Msp	10-bit resolution Source Impedance $\leq 200\Omega$	
		—	—	4.615	Msp	8-bit resolution Source Impedance $\leq 200\Omega$	
		—	—	5.45	Msp	6-bit resolution Source Impedance $\leq 200\Omega$	
Timing Parameters							
AD60	TSAMP	Sample Time for ADC0-ADC1 (Class 1 Inputs)	3	—	—	TAD	Source Impedance $\leq 200\Omega$, Max ADC clock Source Impedance $\leq 500\Omega$, Max ADC clock Source Impedance $\leq 1\text{K}\Omega$, Max ADC clock Source Impedance $\leq 5\text{K}\Omega$, Max ADC clock
			4	—	—		
			5	—	—		
13	—		—				
Sample Time for ADC7 (Class 2 Inputs)	4	—	—	TAD	Source Impedance $\leq 200\Omega$, Max ADC clock Source Impedance $\leq 500\Omega$, Max ADC clock Source Impedance $\leq 1\text{K}\Omega$, Max ADC clock Source Impedance $\leq 5\text{K}\Omega$, Max ADC clock		
	5	—	—				
	6	—	—				
14	—	—					
Sample Time for ADC7 (Class 2 Inputs)	See Table	—	—	TAD	CVDEN (ADCCON1<11>) = 1		
		—	—				
		—	—				
AD62	TCONV	Conversion Time (after sample time is complete)	—	—	13	TAD	12-bit resolution
			—	—	11		10-bit resolution
			—	—	9		8-bit resolution
			—	—	7		6-bit resolution
AD65	TWAKE	Wake-up time from Low-Power Mode	—	500	—	TAD	Lesser of 500 TAD or 20 μs
			—	20	—		

Note 1: These parameters are characterized, but not tested in manufacturing.

2: The ADC module is functional at $V_{BORMIN} < V_{DD} < V_{DDMIN}$, but with degraded performance. Unless otherwise stated, module functionality is guaranteed, but not characterized.

PIC32MK MCA Family

TABLE 35-40: CONTROL DAC (CDAC) SPECIFICATIONS

AC CHARACTERISTICS			Standard Operating Conditions: 2.3V to 3.6V (unless otherwise stated) Operating temperature $-40^{\circ}\text{C} \leq T_A \leq +85^{\circ}\text{C}$ for Industrial $-40^{\circ}\text{C} \leq T_A \leq +125^{\circ}\text{C}$ for Extended				
Param. No.	Symbol	Characteristics	Min.	Typ.	Max.	Units	Conditions
CDAC							
CD10	VOUT	CDAC Output Voltage Range for Guaranteed Settling Time Specifications	0.1 * CDACVREF	—	0.9 * CDACVREF	V	@ ILOAD = IOUT (max)
CD11	N	CDAC Resolution	12	—	—	Bits	Guaranteed Monotonic by architecture
CD12	INL	CDAC Integral Nonlinearity	-4	1.03	+4	LSB	Guaranteed Monotonic by architecture with CDACVREF = AVDD = 3.3V
CD13	DNL	CDAC Differential Nonlinearity	-1	-0.2	+2	LSB	Guaranteed Monotonic by architecture with CDACVREF = AVDD = 3.3V
CD14	OERR	CDAC Offset Error	-13	—	13	mV	CDACVREF = AVDD = 3.3V
CD15	GERR	CDAC Gain Error	-1	-0.088	+1	% of FS	CDACVREF = AVDD = 3.3V
CD16	CDACVREF	CDAC VREF Input Range	0.5	—	AVDD	V	—
CD17	TON	CDAC Module Turn On Time	—	1.0	2	μs	From write of DACON bit
CD18	TOFF	CDAC Module Turn Off Time	—	1.0	2	μs	From write of DACON bit
CD19	TST	Settling Time	—	3	6	μs	Output is within ±4 LSb of desired output step voltage with a 10% to 90% step or 90% to 10% step. With load capacitance of 30 pF. PBCLK2 > 15 MHz
CD20	Fs	Sampling Frequency	—	—	1	Msp	Maximum frequency for a correct CDAC output change for small variations of input codes (from code to code plus 1 LSb).
CD21	CLOAD	Output Load Capacitance	---	—	30	pF	User application loads
DC22	IOUT	Output Current Drive Strength	—	—	1	mA	Sink and source

PIC32MK MCA Family

TABLE 35-41: CTMU CURRENT SOURCE SPECIFICATIONS

AC CHARACTERISTICS			Standard Operating Conditions: 2.3V to 3.6V (Note 1) (unless otherwise stated) Operating temperature -40°C ≤ TA ≤ +85°C for Industrial -40°C ≤ TA ≤ +125°C for Extended				
Param No.	Symbol	Characteristic	Min.	Typ.	Max.	Units	Conditions
CTMU CURRENT SOURCE							
CTMU0	RES	Resolution	-2	—	+2	°C	3.3V @ -40°C to 125°C
CTMUI1	IOUT1	Base Range ⁽¹⁾	—	0.55	—	μA	CTMUCON <1:0> = 01
CTMUI2	IOUT2	10x Range ⁽¹⁾	—	5.5	—	μA	CTMUCON <1:0> = 10
CTMUI3	IOUT3	100x Range ⁽¹⁾	—	55	—	μA	CTMUCON <1:0> = 11
CTMUI4	IOUT4	1000x Range ⁽¹⁾	—	550	—	μA	CTMUCON <1:0> = 00
CTMUFV1	VF	Temperature Diode Forward Voltage ^(1,2)	—	0.598	—	V	TA = +25°C, CTMUCON <1:0> = 01
			—	0.658	—	V	TA = +25°C, CTMUCON <1:0> = 10
			—	0.721	—	V	TA = +25°C, CTMUCON <1:0> = 11
CTMUFV2	VFVR	Temperature Diode Rate of Change ^(1,2)	—	-1.74	—	mV/°C	CTMUCON <1:0> = 01
			—	-1.58	—	mV/°C	CTMUCON <1:0> = 10
			—	-1.42	—	mV/°C	CTMUCON <1:0> = 11

Note 1: Nominal value at center point of current trim range (CTMUCON<15:10> = 000000).

- 2:** Parameters are characterized but not tested in manufacturing. Measurements taken with the following conditions:
- VREF+ = AVDD = 3.3V
 - ADC module configured for conversion speed of 500 ksps
 - All PMD bits are cleared (PMDx = 0)
 - Executing a `while(1)` statement
 - Device operating from the FRC with no PLL

PIC32MK MCA Family

TABLE 35-42: UART TIMING CHARACTERISTICS

AC CHARACTERISTICS			Standard Operating Conditions: 2.3V to 3.6V (unless otherwise stated) Operating temperature 0°C ≤ TA ≤ +70°C for Commercial -40°C ≤ TA ≤ +85°C for Industrial					
Param. No.	Symbol	Characteristics ⁽¹⁾	Min.	Typ.	Max.	Units	Conditions	
UT10	FB	Baud Rate	BRGH = 0	—	—	7.5	Mbps	Baud rate = (FPBy / (16 * (UxBRG + 1))) where: 'x' = 1-6 'y' = FPBCLK2 for UART1 and UART2 'y' = FPBLKC3 for UART3-UART6
UT20			BRGH = 1	7.5	—	30	Mbps	Baud rate = (FPBy / (4 * (UxBRG + 1))) where: 'x' = 1-6 'y' = FPBCLK2 for UART1 and UART2 'y' = FPBLKC3 for UART3-UART6

Note 1: These parameters are characterized, but not tested in manufacturing.

FIGURE 35-20: MOTOR CONTROL PWM MODULE FAULT TIMING CHARACTERISTICS

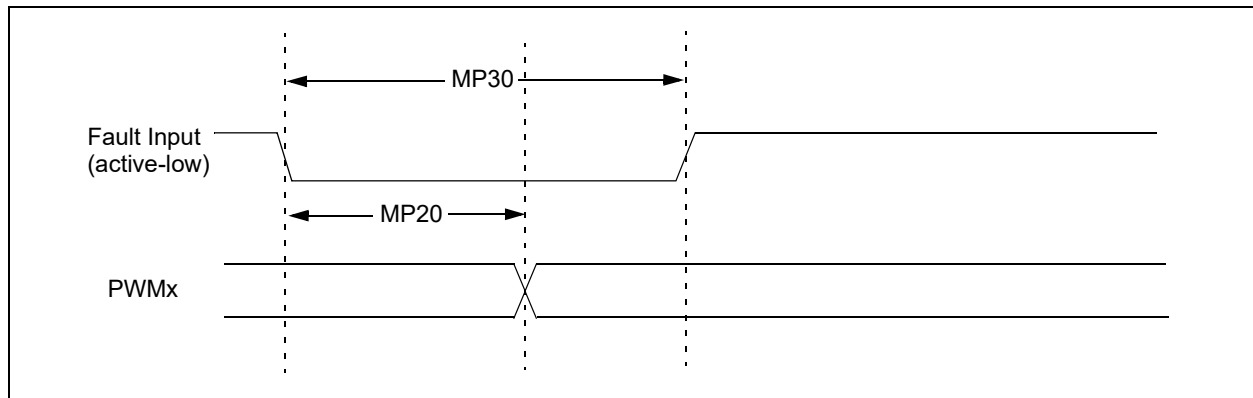


TABLE 35-43: MOTOR CONTROL PWM MODULE TIMING REQUIREMENTS

AC CHARACTERISTICS			Standard Operating Conditions: 2.3V to 3.6V (unless otherwise stated) Operating temperature 0°C ≤ TA ≤ +70°C for Commercial -40°C ≤ TA ≤ +85°C for Industrial				
Param No.	Symbol	Characteristic ⁽¹⁾	Min.	Typ.	Max.	Units	Conditions
MP10	TFPWM	PWM Output Fall Time	—	—	—	ns	See parameter DO32
MP11	TRPWM	PWM Output Rise Time	—	—	—	ns	See parameter DO31
MP20	TFD	Fault Input ↓ to PWM I/O Change	—	—	50	ns	—
MP30	TFH	Fault Input Pulse Width	50	—	—	ns	—

Note 1: These parameters are characterized, but not tested in manufacturing.

FIGURE 35-21: LOW VOLTAGE DETECT CHARACTERISTICS

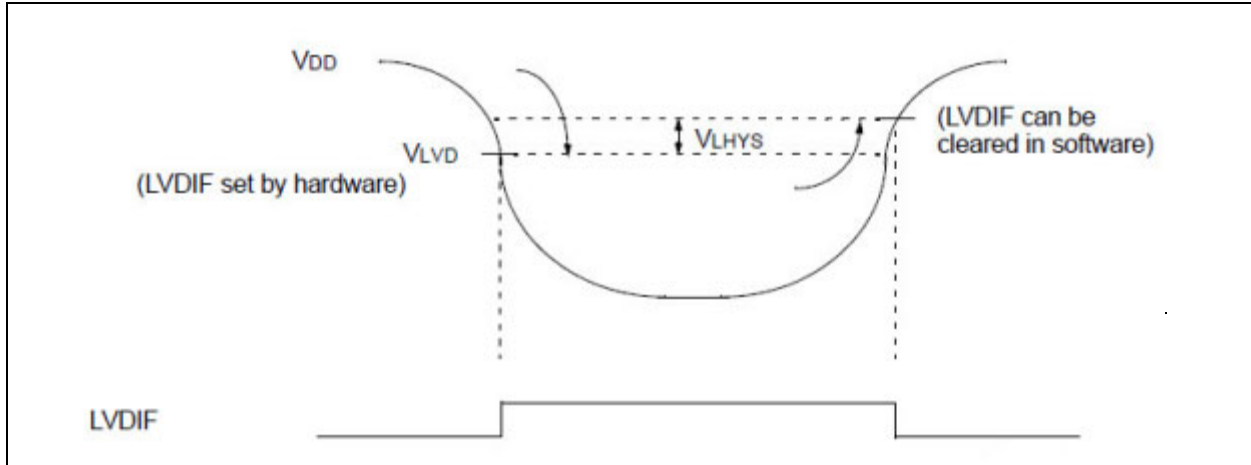


TABLE 35-44: ELECTRICAL CHARACTERISTICS LVD

DC Specifications		Standard Operating Conditions: 2.3V to 3.6V (Unless otherwise stated) Operating temperature $-40^{\circ}\text{C} \leq \text{TA} \leq +125^{\circ}\text{C}$					
Symbol	Characteristic	Min.	Typ.	Max.	Units	Conditions	
VLVD	LVD Voltage on VDD transition high to low	LVDL = 0000	—	—	—	V	Reserved
		LVDL = 0001	—	—	—	V	Reserved
		LVDL = 0010	—	—	—	V	Reserved
		LVDL = 0011	—	—	—	V	Reserved
		LVD = 0100	3.36	3.53	3.70	V	
		LVD = 0101	3.12	3.29	3.46	V	
		LVD = 0110	2.86	3.00	3.14	V	
		LVD = 0111	2.65	2.79	2.93	V	
		LVD = 1000	2.57	2.70	2.83	V	
		LVD = 1001	2.37	2.50	2.63	V	
		LVD = 1010	2.27	2.40	2.53	V	
		LVDL = 1011	—	—	—	V	Reserved
		LVDL = 1100	—	—	—	V	Reserved
		LVDL = 1101	—	—	—	V	Reserved
		LVDL = 1110	—	—	—	V	Reserved
LVDL = 1111	External	External	External	V			
VLVERR	LVD Total Error	-10	-	10	mV	offset, regulation drift and temperature drift	
VLHYS	Low-Voltage Detect Hysteresis	-	4.5	24	mV		

PIC32MK MCA Family

FIGURE 35-22: EJTAG TIMING CHARACTERISTICS

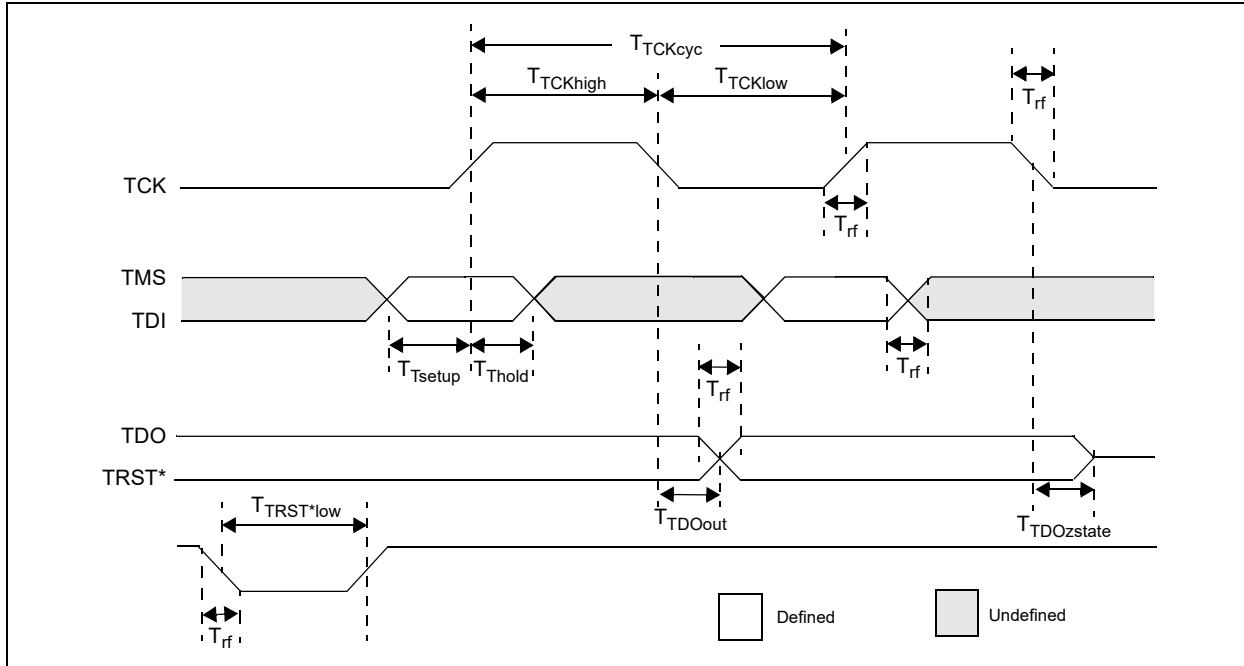


TABLE 35-45: EJTAG TIMING REQUIREMENTS

AC CHARACTERISTICS			Standard Operating Conditions: 2.3V to 3.6V (unless otherwise stated) Operating temperature $-40^{\circ}\text{C} \leq T_A \leq +85^{\circ}\text{C}$ for Industrial $-40^{\circ}\text{C} \leq T_A \leq +125^{\circ}\text{C}$ for Extended			
Param. No.	Symbol	Description ⁽¹⁾	Min.	Max.	Units	Conditions
EJ1	TTCKCYC	TCK Cycle Time	25	—	ns	—
EJ2	TTCKHIGH	TCK High Time	10	—	ns	—
EJ3	TTCKLOW	TCK Low Time	10	—	ns	—
EJ4	TTSETUP	TAP Signals Setup Time Before Rising TCK	5	—	ns	—
EJ5	TTHOLD	TAP Signals Hold Time After Rising TCK	3	—	ns	—
EJ6	TTDOOUT	TDO Output Delay Time from Falling TCK	—	5	ns	—
EJ7	TTDOZSTATE	TDO 3-State Delay Time from Falling TCK	—	5	ns	—
EJ8	TTRSTLOW	TRST Low Time	25	—	ns	—
EJ9	TRF	TAP Signals Rise/Fall Time, All Input and Output	—	—	ns	—

Note 1: These parameters are characterized, but not tested in manufacturing.

36.0 AC AND DC CHARACTERISTICS GRAPHS

Note: The graphs provided are a statistical summary based on a limited number of samples and are provided for design guidance purposes only. The performance characteristics listed herein are not tested or guaranteed. In some graphs, the data presented may be outside the specified operating range (e.g., outside specified power supply range) and therefore, outside the warranted range.

FIGURE 36-1: VOH – 4x DRIVER PINS

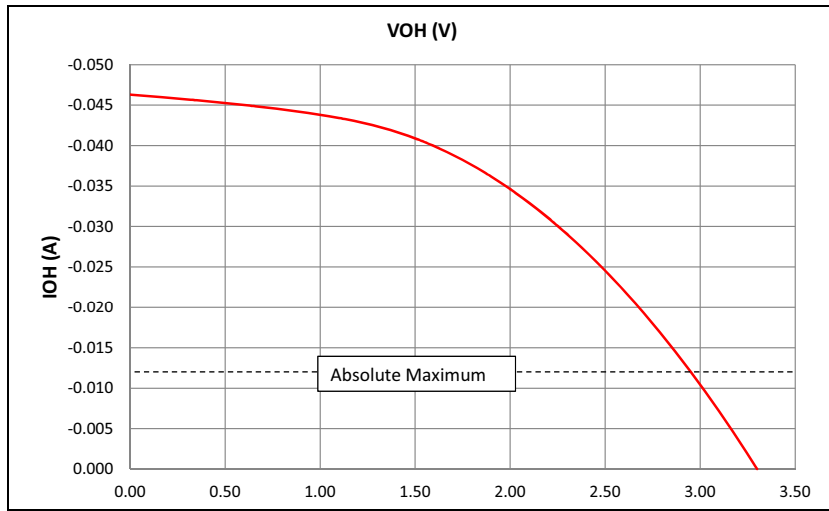


FIGURE 36-3: VOH – 8x DRIVER PINS

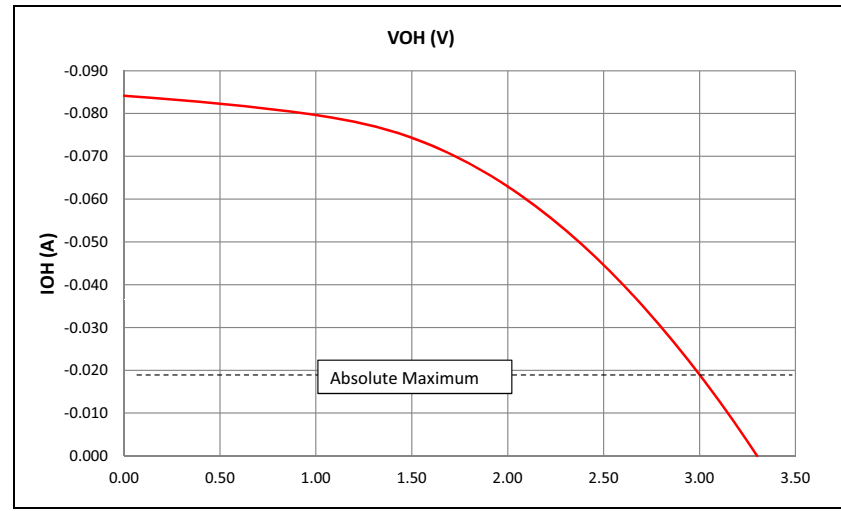


FIGURE 36-2: VOL – 4x DRIVER PINS

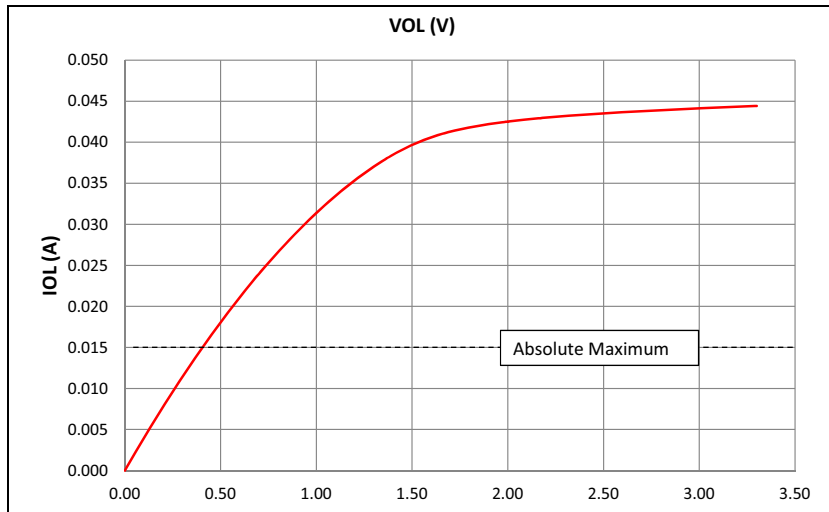
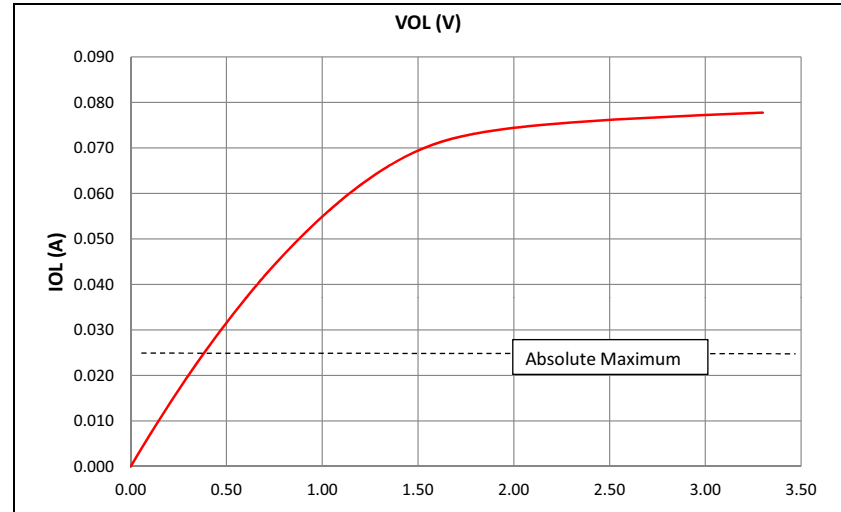


FIGURE 36-4: VOL – 8x DRIVER PINS



PIC32MK MCA Family

NOTES:

37.0 PACKAGING INFORMATION

37.1 Package Marking Information

All devices are marked with the Microchip logo and the ordering code.

"XXXXXX": Part Number (row 1)

"XXXXXXXX": Part Number (row 2)

"YYWWNNN": Trace Code



Where:

"Y" or "YY": Manufacturing Year (last or last two digits)

"WW": Manufacturing Week

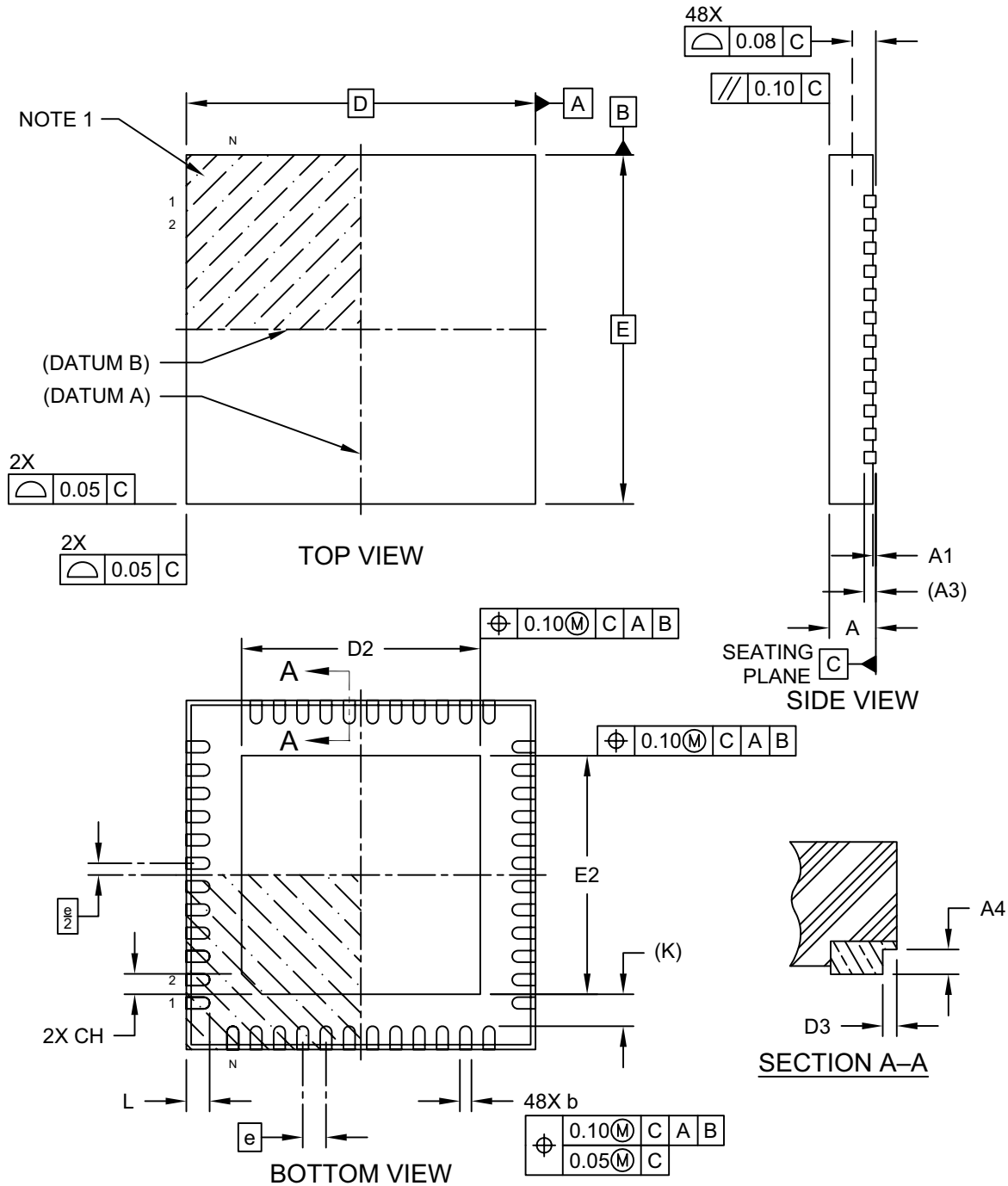
"NNN": Internal Code

PIC32MK MCA Family

37.2 Package Details

48-Lead Very Thin Plastic Quad Flat, No Lead Package (6MX) - 6x6 mm Body [VQFN] With 4.1x4.1 mm Exposed Pad and Stepped Wettable Flanks

Note: For the most current package drawings, please see the Microchip Packaging Specification located at <http://www.microchip.com/packaging>

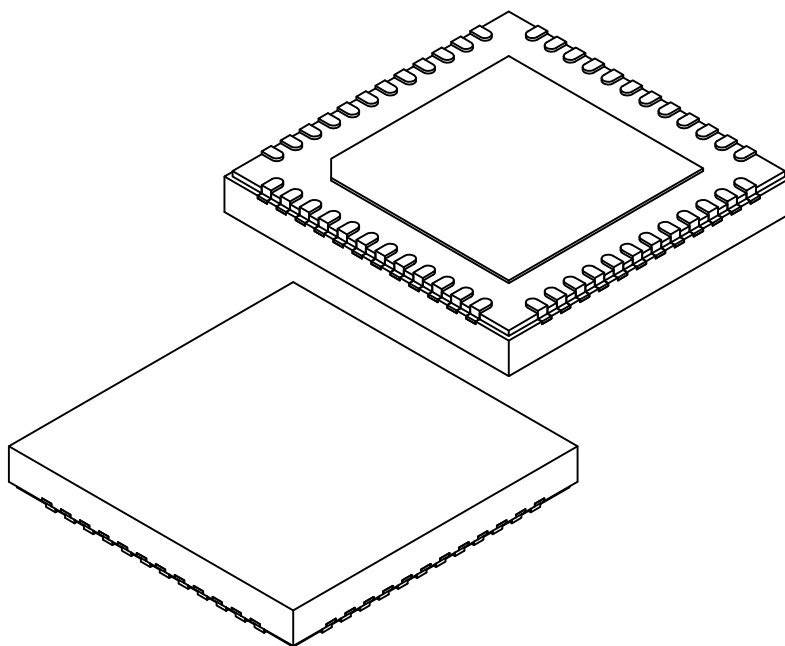


Microchip Technology Drawing C04-504 Rev A Sheet 1 of 2

PIC32MK MCA Family

48-Lead Very Thin Plastic Quad Flat, No Lead Package (6MX) - 6x6 mm Body [VQFN] With 4.1x4.1 mm Exposed Pad and Stepped Wettable Flanks

Note: For the most current package drawings, please see the Microchip Packaging Specification located at <http://www.microchip.com/packaging>



Dimension Limits	Units	MILLIMETERS		
		MIN	NOM	MAX
Number of Terminals	N	48		
Pitch	e	0.40 BSC		
Overall Height	A	0.80	0.85	0.90
Standoff	A1	0.00	0.02	0.05
Terminal Thickness	A3	0.20 REF		
Overall Length	D	6.00 BSC		
Exposed Pad Length	D2	4.00	4.10	4.20
Overall Width	E	6.00 BSC		
Exposed Pad Width	E2	4.00	4.10	4.20
Exposed Pad Corner Chamfer	CH	0.35 REF		
Terminal Width	b	0.15	0.20	0.25
Terminal Length	L	0.30	0.40	0.50
Terminal-to-Exposed-Pad	K	0.55 REF		
Wettable Flank Step Length	D3	-	-	0.085
Wettable Flank Step Height	A4	0.10	-	0.19

Notes:

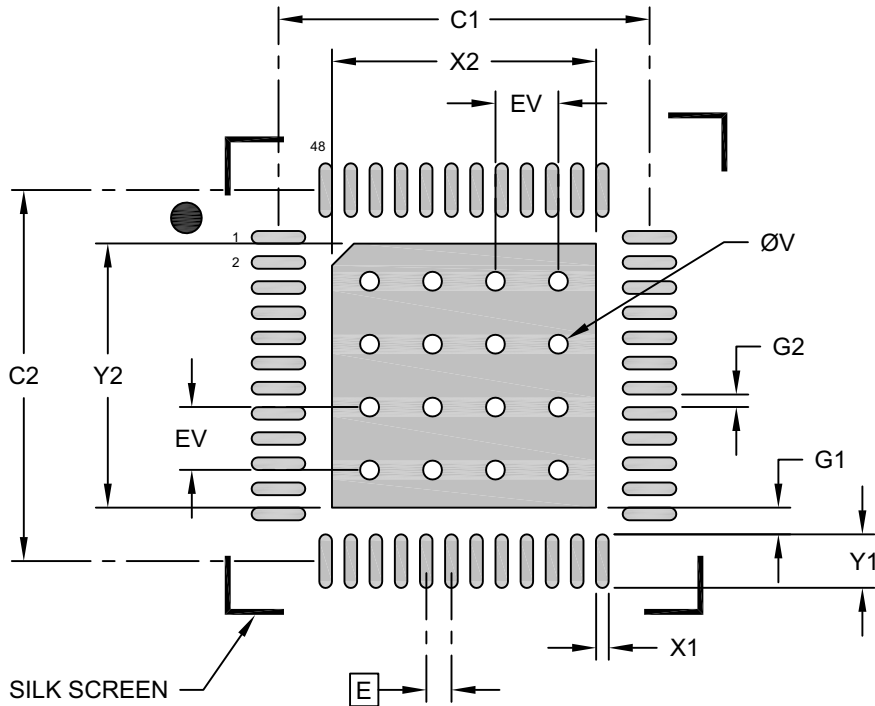
- Pin 1 visual index feature may vary, but must be located within the hatched area.
- Package is saw singulated
- Dimensioning and tolerancing per ASME Y14.5M
BSC: Basic Dimension. Theoretically exact value shown without tolerances.
REF: Reference Dimension, usually without tolerance, for information purposes only.

Microchip Technology Drawing C04-504 Rev A Sheet 1 of 2

PIC32MK MCA Family

48-Lead Very Thin Plastic Quad Flat, No Lead Package (6MX) - 6x6 mm Body [VQFN] With 4.1x4.1 mm Exposed Pad and Stepped Wettable Flanks

Note: For the most current package drawings, please see the Microchip Packaging Specification located at <http://www.microchip.com/packaging>



RECOMMENDED LAND PATTERN

Dimension Limits	Units	MILLIMETERS		
		MIN	NOM	MAX
Contact Pitch	E	0.40 BSC		
Optional Center Pad Width	X2			4.20
Optional Center Pad Length	Y2			4.20
Contact Pad Spacing	C1		5.90	
Contact Pad Spacing	C2		5.90	
Contact Pad Width (X48)	X1			0.20
Contact Pad Length (X48)	Y1			0.85
Contact Pad to Center Pad (X48)	G1	0.20		
Contact Pad to Contact Pad (X44)	G2	0.20		
Thermal Via Diameter	V		0.30	
Thermal Via Pitch	EV		1.00	

Notes:

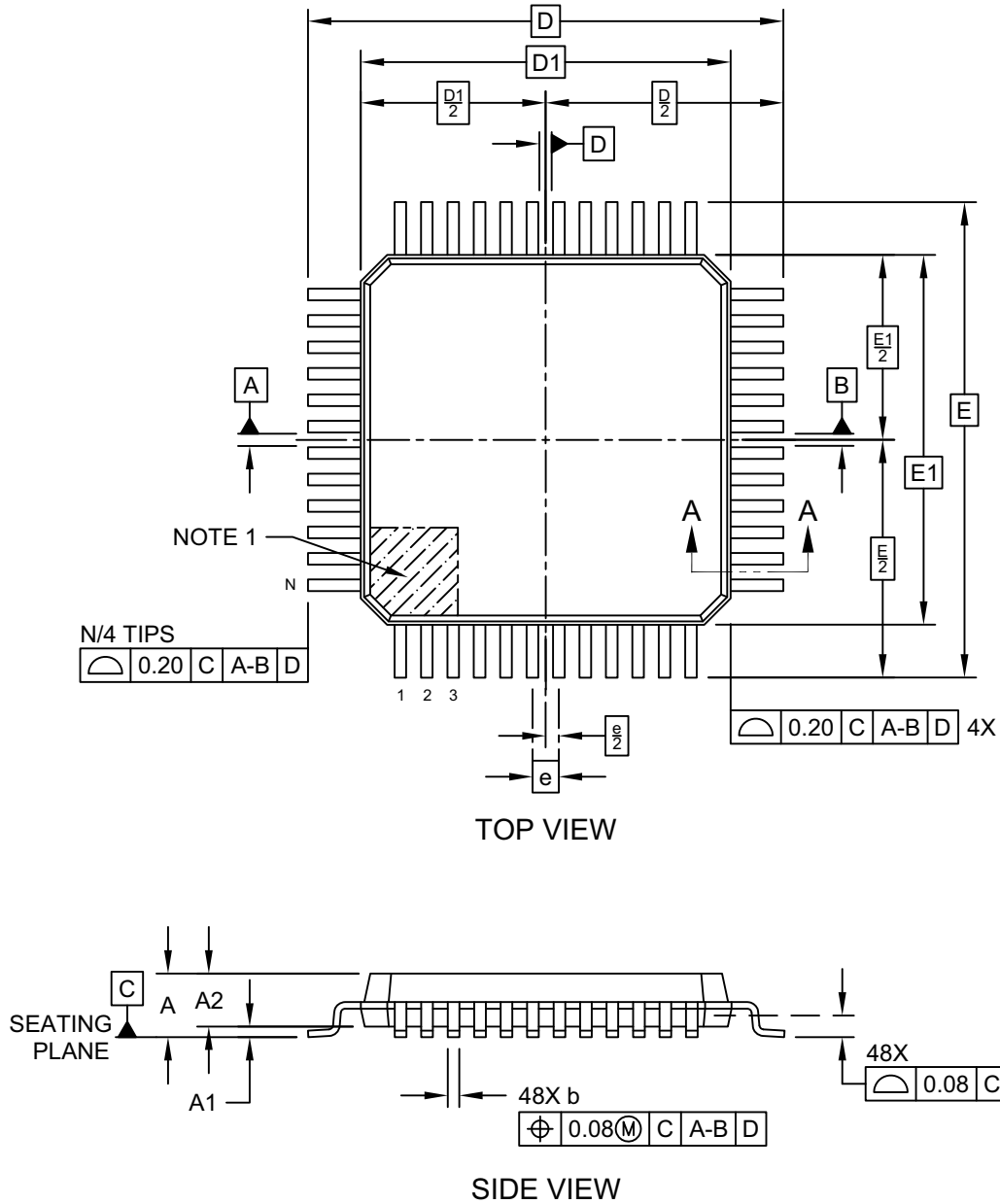
1. Dimensioning and tolerancing per ASME Y14.5M
BSC: Basic Dimension. Theoretically exact value shown without tolerances.
2. For best soldering results, thermal vias, if used, should be filled or tented to avoid solder loss during reflow process

Microchip Technology Drawing C04-2504 Rev A

PIC32MK MCA Family

48-Lead Plastic Thin Quad Flatpack (Y8X) - 7x7x1.0 mm Body [TQFP]

Note: For the most current package drawings, please see the Microchip Packaging Specification located at <http://www.microchip.com/packaging>

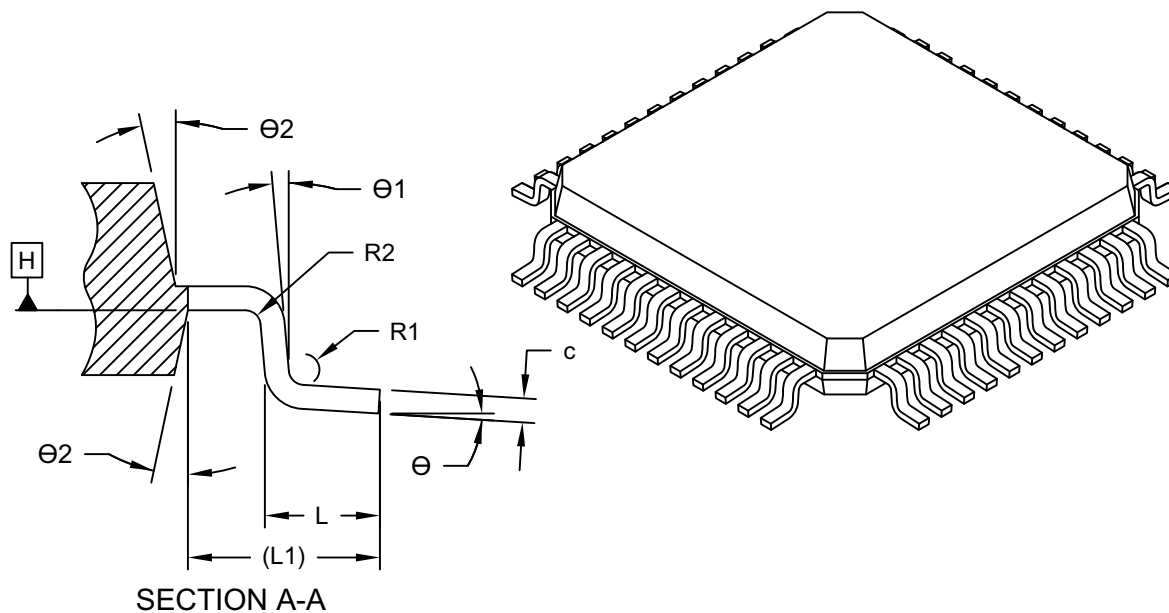


Microchip Technology Drawing C04-300-Y8X Rev D Sheet 1 of 2

PIC32MK MCA Family

48-Lead Plastic Thin Quad Flatpack (Y8X) - 7x7x1.0 mm Body [TQFP]

Note: For the most current package drawings, please see the Microchip Packaging Specification located at <http://www.microchip.com/packaging>



Dimension Limits	Units	MILLIMETERS		
		MIN	NOM	MAX
Number of Terminals	N	48		
Pitch	e	0.50 BSC		
Overall Height	A	-	-	1.20
Standoff	A1	0.05	-	0.15
Molded Package Thickness	A2	0.95	1.00	1.05
Overall Length	D	9.00 BSC		
Molded Package Length	D1	7.00 BSC		
Overall Width	E	9.00 BSC		
Molded Package Width	E1	7.00 BSC		
Terminal Width	b	0.17	0.22	0.27
Terminal Thickness	c	0.09	-	0.16
Terminal Length	L	0.45	0.60	0.75
Footprint	L1	1.00 REF		
Lead Bend Radius	R1	0.08	-	-
Lead Bend Radius	R2	0.08	-	0.20
Foot Angle	theta	0°	3.5°	7°
Lead Angle	theta_1	0°	-	-
Mold Draft Angle	theta_2	11°	12°	13°

Notes:

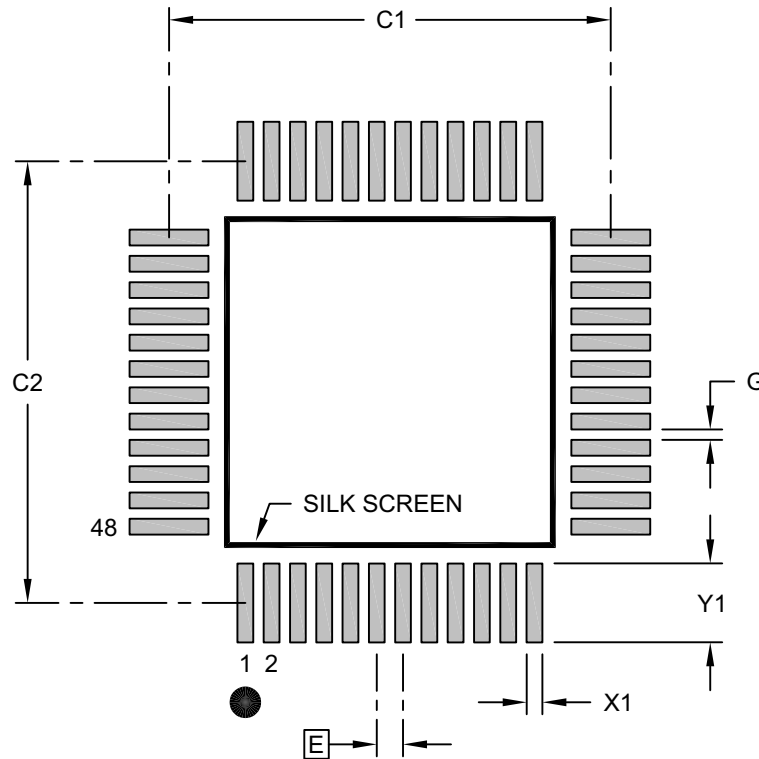
- Pin 1 visual index feature may vary, but must be located within the hatched area.
- Dimensioning and tolerancing per ASME Y14.5M
 BSC: Basic Dimension. Theoretically exact value shown without tolerances.
 REF: Reference Dimension, usually without tolerance, for information purposes only.

Microchip Technology Drawing C04-300-Y8X Rev D Sheet 2 of 2

PIC32MK MCA Family

48-Lead Plastic Thin Quad Flatpack (Y8X) - 7x7x1.0 mm Body [TQFP]

Note: For the most current package drawings, please see the Microchip Packaging Specification located at <http://www.microchip.com/packaging>



RECOMMENDED LAND PATTERN

Dimension Limits	Units	MILLIMETERS		
		MIN	NOM	MAX
Contact Pitch	E	0.50 BSC		
Contact Pad Spacing	C1		8.40	
Contact Pad Spacing	C2		8.40	
Contact Pad Width (X48)	X1			0.30
Contact Pad Length (X48)	Y1			1.50
Distance Between Pads	G	0.20		

Notes:

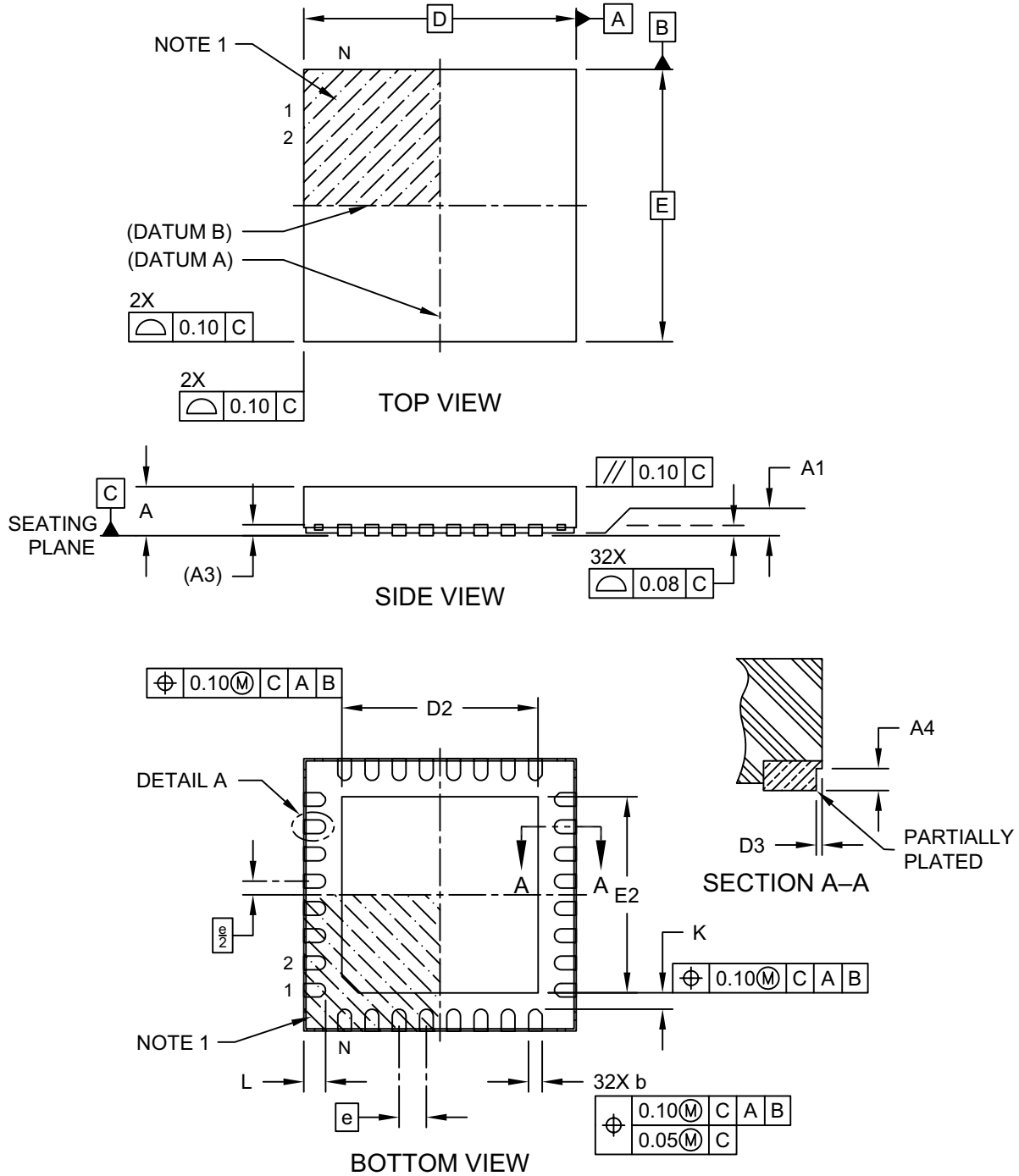
1. Dimensioning and tolerancing per ASME Y14.5M
BSC: Basic Dimension. Theoretically exact value shown without tolerances.
2. For best soldering results, thermal vias, if used, should be filled or tented to avoid solder loss during reflow process

Microchip Technology Drawing C04-2300-Y8X Rev D

PIC32MK MCA Family

32-Lead Very Thin Plastic Quad Flat, No Lead Package (RTB) - 5x5 mm Body [VQFN] With 3.6x3.6 mm Exposed Pad and Stepped Wettable Flanks; Atmel Legacy ZBS

Note: For the most current package drawings, please see the Microchip Packaging Specification located at <http://www.microchip.com/packaging>

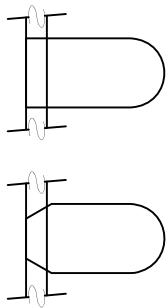


Microchip Technology Drawing C04-21391 Rev E Sheet 1 of 2

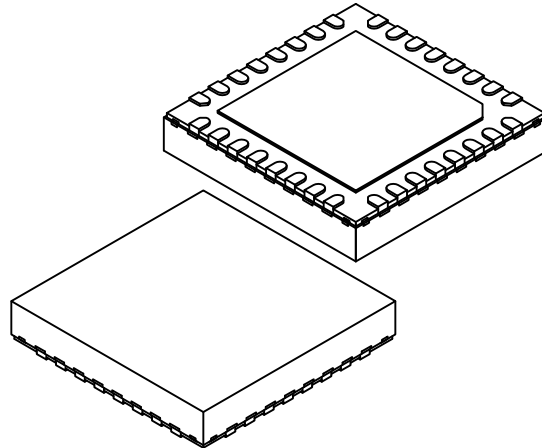
PIC32MK MCA Family

32-Lead Very Thin Plastic Quad Flat, No Lead Package (RTB) - 5x5 mm Body [VQFN] With 3.6x3.6 mm Exposed Pad and Stepped Wettable Flanks; Atmel Legacy ZBS

Note: For the most current package drawings, please see the Microchip Packaging Specification located at <http://www.microchip.com/packaging>



DETAIL 1
ALTERNATE TERMINAL
CONFIGURATIONS



Units		MILLIMETERS		
Dimension Limits		MIN	NOM	MAX
Number of Terminals	N	32		
Pitch	e	0.50 BSC		
Overall Height	A	0.80	0.90	1.00
Standoff	A1	0.00	0.035	0.05
Terminal Thickness	A3	0.203 REF		
Overall Length	D	5.00 BSC		
Exposed Pad Length	D2	3.50	3.60	3.70
Overall Width	E	5.00 BSC		
Exposed Pad Width	E2	3.50	3.60	3.70
Terminal Width	b	0.20	0.25	0.30
Terminal Length	L	0.35	0.40	0.45
Terminal-to-Exposed-Pad	K	0.20	-	-
Wettable Flank Step Cut Width	D3	-	-	0.085
Wettable Flank Step Cut Depth	A4	0.10	-	0.19

Dimensions D3 and A4 above apply to all new products released after November 1, and all products shipped after January 1, 2019, and supersede dimensions D3 and A4 below.

No physical changes are being made to any package; this update is to align cosmetic and tolerance variations from existing suppliers.

Wettable Flank Step Length	D3	0.035	0.06	0.085
Wettable Flank Step Height	A4	0.10	-	0.19

Notes:

1. Pin 1 visual index feature may vary, but must be located within the hatched area.
2. Package is saw singulated
3. Dimensioning and tolerancing per ASME Y14.5M

BSC: Basic Dimension. Theoretically exact value shown without tolerances.

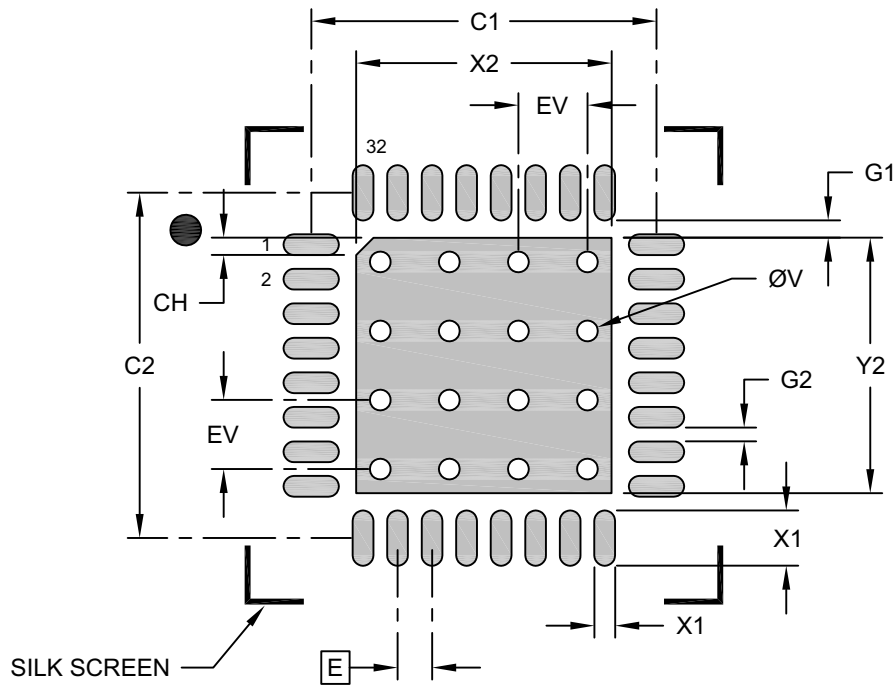
REF: Reference Dimension, usually without tolerance, for information purposes only.

Microchip Technology Drawing C04-21391 Rev E Sheet 2 of 2

PIC32MK MCA Family

32-Lead Very Thin Plastic Quad Flat, No Lead Package (RTB) - 5x5 mm Body [VQFN] With 3.6x3.6 mm Exposed Pad and Stepped Wettable Flanks; Atmel Legacy ZBS

Note: For the most current package drawings, please see the Microchip Packaging Specification located at <http://www.microchip.com/packages>



RECOMMENDED LAND PATTERN

Dimension Limits	Units	MILLIMETERS		
		MIN	NOM	MAX
Contact Pitch	E	0.50 BSC		
Optional Center Pad Width	X2			3.70
Optional Center Pad Length	Y2			3.70
Exposed Pad 45° Corner Chamfer	CH		0.25	
Contact Pad Spacing	C1		5.00	
Contact Pad Spacing	C2		5.00	
Contact Pad Width (X32)	X1			0.30
Contact Pad Length (X32)	Y1			0.80
Contact Pad to Center Pad (X32)	G1	0.25		
Contact Pad to Contact Pad (X28)	G2	0.20		
Thermal Via Diameter	V		0.30	
Thermal Via Pitch	EV		1.00	

Notes:

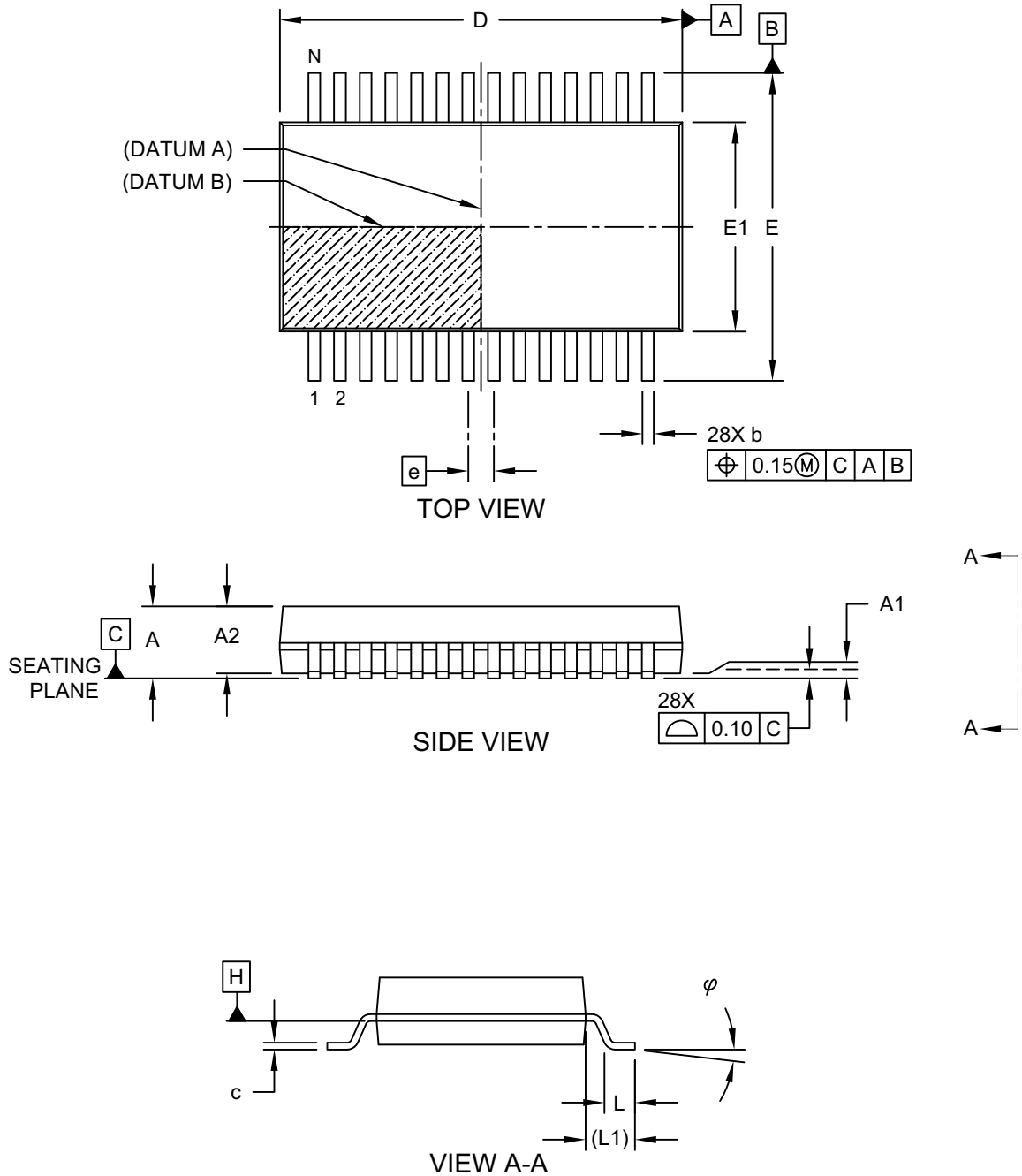
- Dimensioning and tolerancing per ASME Y14.5M
BSC: Basic Dimension. Theoretically exact value shown without tolerances.
- For best soldering results, thermal vias, if used, should be filled or tented to avoid solder loss during reflow process

Microchip Technology Drawing C04-23391 Rev. E

PIC32MK MCA Family

28-Lead Plastic Shrink Small Outline (SS) - 5.30 mm Body [SSOP]

Note: For the most current package drawings, please see the Microchip Packaging Specification located at <http://www.microchip.com/packaging>

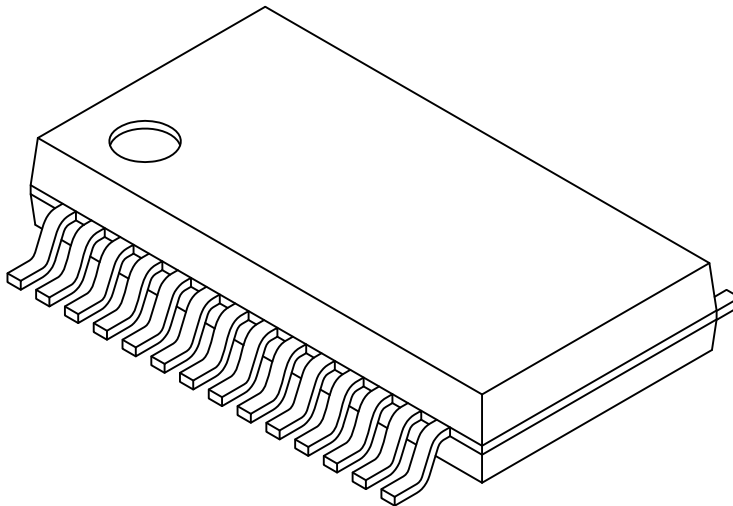


Microchip Technology Drawing C04-073 Rev C Sheet 1 of 2

PIC32MK MCA Family

28-Lead Plastic Shrink Small Outline (SS) - 5.30 mm Body [SSOP]

Note: For the most current package drawings, please see the Microchip Packaging Specification located at <http://www.microchip.com/packaging>



		Units	MILLIMETERS		
Dimension Limits			MIN	NOM	MAX
Number of Pins	N		28		
Pitch	e		0.65 BSC		
Overall Height	A	-	-	-	2.00
Molded Package Thickness	A2	1.65	1.75	1.85	
Standoff	A1	0.05	-	-	
Overall Width	E	7.40	7.80	8.20	
Molded Package Width	E1	5.00	5.30	5.60	
Overall Length	D	9.90	10.20	10.50	
Foot Length	L	0.55	0.75	0.95	
Footprint	L1		1.25 REF		
Lead Thickness	c	0.09	-	-	0.25
Foot Angle	φ	0°	4°	8°	
Lead Width	b	0.22	-	-	0.38

Notes:

1. Pin 1 visual index feature may vary, but must be located within the hatched area.
2. Dimensions D and E1 do not include mold flash or protrusions. Mold flash or protrusions shall not exceed 0.20mm per side.
3. Dimensioning and tolerancing per ASME Y14.5M

BSC: Basic Dimension. Theoretically exact value shown without tolerances.

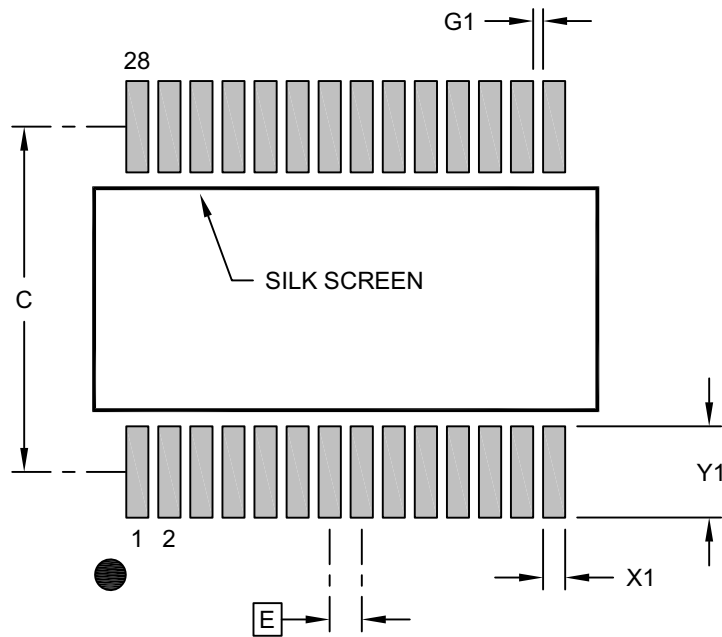
REF: Reference Dimension, usually without tolerance, for information purposes only.

Microchip Technology Drawing C04-073 Rev C Sheet 2 of 2

PIC32MK MCA Family

28-Lead Plastic Shrink Small Outline (SS) - 5.30 mm Body [SSOP]

Note: For the most current package drawings, please see the Microchip Packaging Specification located at <http://www.microchip.com/packaging>



RECOMMENDED LAND PATTERN

Dimension Limits	Units	MILLIMETERS		
		MIN	NOM	MAX
Contact Pitch	E	0.65 BSC		
Contact Pad Spacing	C		7.00	
Contact Pad Width (X28)	X1			0.45
Contact Pad Length (X28)	Y1			1.85
Contact Pad to Center Pad (X26)	G1	0.20		

Notes:

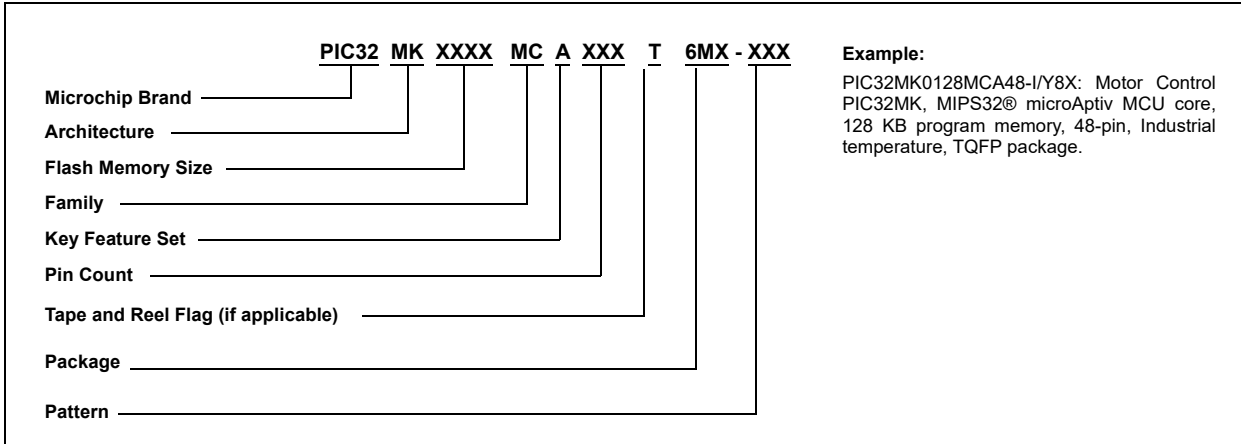
1. Dimensioning and tolerancing per ASME Y14.5M
BSC: Basic Dimension. Theoretically exact value shown without tolerances.
2. For best soldering results, thermal vias, if used, should be filled or tented to avoid solder loss during reflow process

Microchip Technology Drawing C04-2073 Rev B

PIC32MK MCA Family

PRODUCT IDENTIFICATION SYSTEM

To order or obtain information, e.g., on pricing or delivery, refer to the factory or the listed sales office.



Example:
 PIC32MK0128MCA48-I/Y8X: Motor Control PIC32MK, MIPS32® microAptiv MCU core, 128 KB program memory, 48-pin, Industrial temperature, TQFP package.

Flash Memory Family

Architecture MK = MIPS32® microAptiv MCU Core with Floating Point Unit (FPU)

Flash Memory Size 0128 = 128 KB

Family MC = Motor Control Microcontroller Family

Key Feature A = PIC32 MCA Family Features (with PWM, and QEI)

Pin Count 048 = 48-pin
 032 = 32-pin
 028 = 28-pin

Package 6MX = 48 lead (6x6x0.9 mm) VQFN (Very Thin Quad Flat pack)
 Y8X = 48 lead (7x7x1 mm) TQFP (Thin Quad Flat Pack)
 RTB = 32 lead (5x5x0.9 mm) VQFN (Very Thin Quad Flat pack)
 N2X = 28 lead (5.3x10.2x2mm) SSOP (Small Shrink Outline Pack)

Pattern Three-digit QTP, SQTP, Code or Special Requirements (blank otherwise)
 ES = Engineering Sample

APPENDIX A: REVISION HISTORY

Revision A (March 2021)

This is the initial released version of the document.

Revision B (December 2021)

The following updates were implemented in this revision:

Section	Updates
General	Removed all erroneous references to CAN.
Section 37.0, Packaging Information	Updated the package diagrams for the 48-Lead VQFN Package.

Revision C (August 2022)

The following updates were performed in this revision:

Section	Updates
Section 1.0, Device Overview	<ul style="list-style-type: none"> Updated Figure 1-1 with new ADC values
Section 4.0, Memory Organization	<ul style="list-style-type: none"> Replaced Figure 4-1 Updated Table 4-3 with new timer values
Section 5.0, Flash Program Memory	<ul style="list-style-type: none"> Updated Register 5-7 NVMBWP: Flash Boot (Page) Write-Protect Register with new addresses for bit numbers 8-12
Section 8.0, Oscillator Configuration	<ul style="list-style-type: none"> Updated Figure 8-1 to display lowest achievable SPL output Added I2C1-2 to Table 8-1 Added PB5DIV values to table 8-2 Updated the notes for Register 8-3 SPLLCN: System PLL Control Register Updated the X value in the title for Register 8-6 PBx-DIV: Peripheral Bus 'x' Clock Divisor Control Register ('x' = 1-5, 6)
Section 23.0, 12-bit High-Speed Successive Approximation Register (SAR) Analog-to-Digital Converter (ADC)	<ul style="list-style-type: none"> Updated Figure 23-2 with new ADC value Updated Table 23-2 with new bitfield values for CVDEN and AICMPEN Updated Register 23-1 ADCCON1: ADC Control Register 1 with new bitfield values for CVDEN and AICMPEN
Section 31.0, Special Features	<ul style="list-style-type: none"> Updated Table 31-3 with new bitfield value IOANCPEN Updated Register 31-7 CFGCON: Configuration Control Register with new bitfield value IOANCPEN
Section 35.0, Electrical Characteristics	<ul style="list-style-type: none"> Updated Table 35-6 with new x-values in Note 2 Updated the min values for Table 35-9 Updated the min, typ, max, and comments for Table 35-20, added a note for CMRR Updated the minimum values for OA8 and OA17 for Table 35-28 Updated the min, typ, and max values for Table 35-44

PIC32MK MCA Family

THE MICROCHIP WEB SITE

Microchip provides online support via our WWW site at www.microchip.com. This web site is used as a means to make files and information easily available to customers. Accessible by using your favorite Internet browser, the web site contains the following information:

- **Product Support** – Data sheets and errata, application notes and sample programs, design resources, user's guides and hardware support documents, latest software releases and archived software
- **General Technical Support** – Frequently Asked Questions (FAQ), technical support requests, online discussion groups, Microchip consultant program member listing
- **Business of Microchip** – Product selector and ordering guides, latest Microchip press releases, listing of seminars and events, listings of Microchip sales offices, distributors and factory representatives

CUSTOMER CHANGE NOTIFICATION SERVICE

Microchip's customer notification service helps keep customers current on Microchip products. Subscribers will receive e-mail notification whenever there are changes, updates, revisions or errata related to a specified product family or development tool of interest.

To register, access the Microchip web site at www.microchip.com. Under "Support", click on "Customer Change Notification" and follow the registration instructions.

CUSTOMER SUPPORT

Users of Microchip products can receive assistance through several channels:

- Distributor or Representative
- Local Sales Office
- Field Application Engineer (FAE)
- Technical Support

Customers should contact their distributor, representative or Field Application Engineer (FAE) for support. Local sales offices are also available to help customers. A listing of sales offices and locations is included in the back of this document.

Technical support is available through the web site at: <http://microchip.com/support>

INDEX

A

AC Characteristics	606
ADC Module Specifications	644
Analog-to-Digital Conversion Requirements	645
Assembler	
MPASM Assembler	592

B

Block Diagrams	
CLCx Input Source Selection	289
CLCx Logic Function Combinatorial Options	288
CLCx Module	287
CPU	38
CTMU Configurations	
Time Measurement	480
DMA	164
Input Capture	248
Inter-Integrated Circuit (I2C)	268
Interrupt Controller	102
JTAG Programming, Debugging and Trace Ports	586
Op amp/Comparator Module	452, 453, 454, 455, 456
Output Compare Module	253
Prefetch Module	158
Prefetch Module Block Diagram	158
Quadrature Encoder Interface	490
Reset System	92
RTCC	301
SPI Module	257
Timer1	225
Timer2/3/4/5 (16-Bit)	230, 231
Typical Multiplexed Port Structure	192
UART	275
WDT and Power-up Timer	244
Brown-out Reset (BOR)	
and On-Chip Voltage Regulator	586

C

C Compilers	
MPLAB XC32	592
Charge Time Measurement Unit. <i>See</i> CTMU.	
CLC	
Control Registers	290
Comparator	
Specifications	610
Comparator Module	451
Configurable Logic Cell (CLC)	287
Configurable Logic Cell. <i>See</i> CLC.	
Configuration Bit	565
Configuring Analog Port Pins	193
CPU	
Architecture Overview	39
Coprocesor 0 Registers	40
Core Exception Types	103
EJTAG Debug Support	43
Power Management	43
CPU Module	26, 37
CTMU	
Registers	482
Customer Change Notification Service	674
Customer Notification Service	674
Customer Support	674

D

DC Characteristics	596
I/O Pin Input Specifications	601, 602
I/O Pin Output Specifications	603
Idle Current (IDLE)	599
Power-Down Current (IPD)	600
Program Memory	605
Temperature and Voltage Specifications	597
Development Support	591
Direct Memory Access (DMA) Controller	164

E

EJTAG Timing Requirements	651
Electrical Characteristics	595
AC	606
External Clock	
Timer1 Timing Requirements	615
Timer2, 3, 4, 5 Timing Requirements	616
Timing Requirements	607

F

Flash Program Memory	81, 92
RTSP Operation	81

I

I/O Ports	192
Parallel I/O (PIO)	193
Write/Read Timing	193
Input Change Notification	193
Instruction Set	588, 586
Inter-Integrated Circuit (I2C)	267
Internal FRC Accuracy	609
Internal LPRC Accuracy	609
Internet Address	674
Interrupt Controller	
IRG, Vector and Bit Location	106

M

Memory Maps	
Devices with 1024 KB Program Memory and 512 KB RAM	61
Devices with 512 KB Program Memory	60
Memory Organization	59
Layout	59
Microchip Internet Web Site	674
Motor Control PWM	505
MPLAB ASM30 Assembler, Linker, Librarian	592
MPLAB ICD 3 In-Circuit Debugger	593
MPLAB PM3 Device Programmer	593
MPLAB REAL ICE In-Circuit Emulator System	593
MPLAB X Integrated Development Environment Software	591
MPLINK Object Linker/MPLIB Object Librarian	592

O

Op Amp	
Specifications	618
Oscillator Configuration	140
Output Compare	253

P

Packaging	654
Details	655
Marking	654

PIC32MK MCA Family

Parallel Slave Port Requirements	649	ADCCMPxCON (ADC Digital Comparator 'x' Control Register ('x' = 2 through 4)).....	368
PICkit 3 In-Circuit Debugger/Programmer	593	ADCCNTB (ADC Channel Sample Count Base Address)	373
Pinout I/O Descriptions (table)	10	ADCCON1 (ADC Control Register 1)	322
PORTB Register Map (64-pin and 100-pin Devices)	208	ADCCON2 (ADC Control Register 2)	325
Power-on Reset (POR)		ADCCON3 (ADC Control Register 3)	328
and On-Chip Voltage Regulator	586	ADCCSS1 (ADC Common Scan Select Register 1)	344
Power-Saving Features.....	558	ADCCSS2 (ADC Common Scan Select Register 2)	345
with CPU Running.....	558	ADCDATAx (ADC Output Data Register ('x' = 0-27, 33-41, and 45-53)).....	374
Prefetch Module	158	ADCDMAB (ADC Channel Sample count Base Address)	373
Q		ADCDSTAT1 (ADC Data Ready Status Register 1)	346
Quadrature Encoder Interface (QEI).....	489	ADCDSTAT2 (ADC Data Ready Status Register 2)	346
R		ADCEIEN1 (ADC Early Interrupt Enable Register 1)	378
Real-Time Clock and Calendar (RTCC).....	301	ADCEIEN2 (ADC Early Interrupt Enable Register 2)	379
Register Map		ADCEIEN2 (ADC Early Interrupt Status Register 2)	381
Comparator Voltage Reference	555	ADCFLTRx (ADC Digital Filter 'x' Register ('x' = 1 through 6)).....	349
CTMU	473, 481	ADCGIRQEN1 (ADC Interrupt Enable Register 1).....	342
Device ADC Calibration Summary.....	569	ADCIMCON1 (ADC Input Mode Control Register 1)	334
Device Configuration Word Summary.....	566, 567	ADCIMCON2 (ADC Input Mode Control Register 2)	337
Device EEDATA Calibration Summary	569	ADCIMCON3 (ADC Input Mode Control Register 3)	339
Device Serial Number Summary.....	570	ADCIMCON4 (ADC Input Mode Control Register 4)	341
DMA Channel 0-3	166	ADCIRQEN2 (ADC Interrupt Enable Register 2).....	343
DMA CRC	165	ADCSYSCFG0 (ADC System Configuration Register 0)	385
DMA Global.....	165	ADCSYSCFG1 (ADC System Configuration Register 1)	386
Flash Controller.....	82, 237, 245	ADCTRG1 (ADC Trigger Source 1 Register)	351
I2C1 and I2C2	269	ADCTRG2 (ADC Trigger Source 2 Register)	353
Input Capture 1-9	250	ADCTRG3 (ADC Trigger Source 3 Register)	355
Interrupt.....	116	ADCTRG4 (ADC Trigger Source 4 Register)	357
Op amp/Comparator	473	ADCTRG5 (ADC Trigger Source 5 Register)	359
Oscillator Configuration.....	144	ADCTRG6 (ADC Trigger Source 6 Register)	361
Peripheral Pin Select Input	215	ADCTRG7 (ADC Trigger Source 7 Register)	363
Peripheral Pin Select Output.....	219	ADCTRGMODE (ADC Triggering Mode for Dedicated ADC).....	332
PORTA (100-pin Devices)	205	ADCTRGSNS (ADC Trigger Level/Edge Sensitivity)	375
PORTA (64-pin Devices)	207	ADCxCFG (ADCx Configuration Register 'x' ('x' = 0 through 5 and 7)).....	384
PORTB	208	ADCxTIME (Dedicated ADCx Timing Register 'x' ('x' = 0 through 5)).....	376
PORTC (64-pin and 100-pin Devices)	209	ALRMDATE (Alarm Date Value).....	310
PORTD	213	ALRMDATECLR (ALRMDATE Clear)	310
PORTD (100-pin Devices)	211	ALRMDATESET (ALRMDATE Set).....	310
PORTE (100-pin Devices)	214	ALRMTIME (Alarm Time Value)	309
Prefetch.....	159	ALRMTIMECLR (ALRMTIME Clear)	310
RTCC	302	ALRMTIMEINV (ALRMTIME Invert).....	310
SPI1 and SPI2	258	ALRMTIMESET (ALRMTIME Set).....	310
System Bus	68	ALTDTRx (PWM Alternate Dead Time Register)	542
System Bus Target 0	68	ALTDTRx (PWM Alternate Dead-Time Register)	543
System Bus Target 1	69	AUXCONx (PWM Auxiliary Control Register).....	551
System Bus Target 2	71	CHECON (Cache Module Control).....	160
System Bus Target 3	72	CHEHIT (Cache Hit Status).....	162
System Control	93	CHEMIS (Cache Miss Status)	163
Timer1-Timer9	226, 232	CHOP (PWM Chop Clock Generator Register).....	527
UART1 and UART2	276	CLCxCON (CLCx Control).....	292
Register Maps		CLCxGLS (CLCx Gate Logic Input Select).....	298
CLC1, CLC2 and CLC3	291	CLCxSEL (CLCx Input MUX Select).....	294
Registers		CMSTAT (Op amp/Comparator Status).....	474
[<i>pin name</i>]R (Peripheral Pin Select Input).....	222	CMxCON (Op amp/Comparator 'x' Control)	475
AD1CON1 (A/D Control 1).....	310	CMxMSKCON (Op amp/Comparator 'x' Mask Control)	478
AD1CON1 (ADC Control 1)	310		
ADCANCON (ADC Analog Warm-up Control Register)	382		
ADCBASE (ADC Base).....	370		
ADCCMP1CON (ADC Digital Comparator 1 Control Register)	365		
ADCCMPENx (ADC Digital Comparator 'x' Enable Register ('x' = 1 through 4)).....	347		
ADCCMPx (ADC Digital Comparator 'x' Limit Value Register ('x' = 1 through 4)).....	348		

PIC32MK MCA Family

CNCONx (Change Notice Control for PORTx)	223	LEBCONx (Leading Edge Blanking Control Register)....	544, 548, 549
CONFIG (Configuration Register - CP0 Register 16, Select 0)	45	LEBDLYx (Leading-Edge Blanking Delay Register) .	550
CONFIG1 (Configuration Register 1 - CP0 Register 16, Select 1)	47	NVMADDR (Flash Address)	85
CONFIG3 (Configuration Register 3 - CP0 Register 16, Select 3)	48	NVMBWP (Flash Boot (Page) Write-protect)	88
CONFIG5 (Configuration Register 5 - CP0 Register 16, Select 5)	50, 51	NVMCON (Programming Control)	83, 89
CONFIG7 (Configuration Register 7 - CP0 Register 16, Select 7)	51	NVMDATA (Flash Data)	86
CTMUCON (CTMU Control)	482	NVMKEY (Programming Unlock)	85
DCHxCON (DMA Channel 'x' Control)	179	NVMPWP (Program Flash Write-Protect)	87
DCHxCPTR (DMA Channel x Cell Pointer)	190	NVMSRCADDR (Source Data Address)	86
DCHxCSIZ (DMA Channel x Cell-Size)	189	OCxCON (Output Compare x Control)	255
DCHxDAT (DMA Channel x Pattern Data)	191	OSCCON (Oscillator Control)	146
DCHxDPTR (Channel x Destination Pointer)	188	OSCTUN (FRC Tuning)	148
DCHxDSA (DMA Channel x Destination Start Address)	184	PDCx (PWM Generator Duty Cycle Register)	539
DCHxDSIZ (DMA Channel x Destination Size)	186	PHASEx (PWM Primary Phase Shift Register)	541
DCHxECON (DMA Channel x Event Control)	181	PMTMR (Primary Host Time Base Timer Register) .	523
DCHxINT (DMA Channel x Interrupt Control)	182	POSxCNT (Position Counter Register)	500
DCHxSPTR (DMA Channel x Source Pointer)	187	PRISS (Priority Shadow Select)	133
DCHxSSA (DMA Channel x Source Start Address) .	184	PSCNT (Post Status Configure DMT Count Status) 241	
DCHxSSIZ (DMA Channel x Source Size)	185	PSINTV (Post Status Configure DMT Interval Status) ...	242
DCRCON (DMA CRC Control)	175	PTCON (PWM Primary Time Base Control Register) ...	520
DCRCDATA (DMA CRC Data)	177	PTPER (Primary Host Time Base Period Register) .	522
DCRCXOR (DMA CRCXOR Enable)	178	PWMCONx (PWM Control Register)	529
DEVCFG0 (Device Configuration Word 0)	572	PWMKEY	
DEVCFG1 (Device Configuration Word 1)	575	(PWM Unlock Register)	528
DEVCFG2 (Device Configuration Word 2)	578	QEIxCMPL (Capture Low Register)	504
DEVCFG3 (Device Configuration Word 3)	580	QEIxCON QEIx Control)	494
DEVCP0 (Device Code-protect 0)	571	QEIXICC (QEIx Initialize/Capture/Compare Register) ...	504
DEVID (Device and Revision ID)	584	QEIXIOC (QEIx I/O Control)	496
DEVSIGN0 (Device Signature Word 0)	571	QEIXSTAT (QEIx Status)	498
DMAADDR (DMA Address)	174	REFOxCON (Reference Oscillator Control ('x' = 1-4)) ...	151
DMAADDR (DMR Address)	174	REFOxTRIM (Reference Oscillator Trim ('x' = 1-4)) .	153
DMACON (DMA Controller Control)	172	RPnR (Peripheral Pin Select Output)	222
DMASTAT (DMA Status)	173	RSWRST (Software Reset)	96, 97, 99
DMSTAT (Deadman Timer Status)	240	RTCCON (RTCC Control)	303
DMTCLR (Deadman Timer Clear)	239	RTCDATE (RTC Date Value)	308
DMTCNT (Deadman Timer Count)	241	RTCTIME (RTC Time Value)	307
DMTCON (Deadman Timer Control)	238	SBFLAG (System Bus Status Flag)	73
DMTPRECLR (Deadman Timer Preclear)	238	SBTxECLRM (System Bus Target 'x' Multiple Error Clear	77
FCCR (Floating Point Condition Codes Register - CP1 Register 25)	53	SBTxECLRS (System Bus Target 'x' Single Error Single)	77
FCSR (Floating Point Control and Status Register - CP1 Register 31)	56	SBTxECON (System Bus Target 'x' Error Control)	76
FENR (Floating Point Exceptions and Modes Enable Register - CP1 Register 28)	55	SBTxELOG1 (System Bus Target 'x' Error Log 1)	74
FEXR (Floating Point Exceptions Status Register - CP1 Register 26)	54	SBTxELOG2 (System Bus Target 'x' Error Log 2)	76
FIR (Floating Point Implementation Register - CP1 Register 0)	52	SBTxRDy (System Bus Target 'x' Region 'y' Read Permissions)	79
I2CxCON (I2C Control)	270	SBTxREGy (System Bus Target 'x' Region 'y')	78
I2CxSTAT (I2C Status)	272	SBTxWRy (System Bus Target 'x' Region 'y' Write Permissions)	80
ICxCON (Input Capture x Control)	251	SDCx (PWM Secondary Duty Cycle Register)	540
IFSx (Interrupt Flag Status)	136	SEVTCMP (Special Event Compare Register)	523
INDxCNT (Index Counter Register)	503	SMTMR (Secondary Host Time Base Timer Register) ...	526
INTCON (Interrupt Control)	132	SPIxBRG (SPIx Baud Rate Generator)	265
INTSTAT (Interrupt Status)	135	SPIxBUF (SPIx Buffer)	265
INTxHLD (Interval Timer Hold Register)	502	SPIxCON (SPI Control)	259
INTxTMR (Interval Timer Register)	503	SPIxCON2 (SPI Control 2)	262
IOCONx (PWM I/O Control Register)	532	SPIxSTAT (SPI Status)	263
IPCx (Interrupt Priority Control)	137	SPLLCON (System PLL Control)	149
IPTMR Interrupt Proximity Timer)	135	SSEVTCMP (PWM Secondary Special Event Compare Register)	525

PIC32MK MCA Family

STCON (Secondary Host Time Base Control Register) .. 524	Motor Control PWM Fault 649, 650
STPER (Secondary Host Time Base Period Register) ... 525	OCx/PWM 617
STRIGx (Secondary PWM Trigger Compare Register) .. 548	Output Compare (OCx)..... 617
T1CON (Type A Timer Control) 227	QEA/QEB Input 642
TMR (PWM Timer Register) 552	SPIx Host Mode (CKE = 0)..... 621
TMRx (PWM Timer Register 'x') 552	SPIx Host Mode (CKE = 1)..... 624
TRGCONx (PWM Trigger Control Register) 546	SPIx Client Mode (CKE = 0)..... 628
TRIGx (PWM Trigger Compare Value Register)..... 545	SPIx Client Mode (CKE = 1)..... 632
TxCON (Type B Timer Control) 234	Timer1, 2, 3, 4, 5 External Clock 615
VELxCNT (Velocity Counter Register)..... 501	TimerQ (QEI Module) External Clock 641
VELxHLD (Velocity Hold Register) 502	UART Reception..... 285
WDTCON (Watchdog Timer Control)..... 246	UART Transmission (8-bit or 9-bit Data) 285
Revision History 668	Timing Requirements
RTCALRM (RTC ALARM Control)..... 305	CLKO and I/O 611
S	Timing Specifications
Serial Peripheral Interface (SPI) 257	Input Capture Requirements..... 616
Software Simulator (MPLAB X SIM) 593	Motor Control PWM Requirements..... 649
Special Features 565	Output Compare Requirements..... 617
T	QEI External Clock Requirements..... 641
Timer1 Module 224	Quadrature Decoder Requirements..... 642
Timer2/3, Timer4/5, Timer6/7, and Timer8/9 Modules..... 230	Simple OCx/PWM Mode Requirements 617, 620
Timing Diagrams	SPIx Host Mode (CKE = 0) Requirements 622
EJTAG 651	SPIx Host Mode (CKE = 1) Requirements 625
External Clock..... 607	SPIx Client Mode (CKE = 1) Requirements..... 633
I/O Characteristics 611	SPIx Client Mode Requirements (CKE = 0)..... 629
I2Cx Bus Data (Host Mode)..... 636	U
I2Cx Bus Data (Client Mode) 639	UART 275
I2Cx Bus Start/Stop Bits (Host Mode)..... 636	V
I2Cx Bus Start/Stop Bits (Client Mode)..... 639	Voltage Regulator (On-Chip) 586
Input Capture (CAPx)..... 616	W
	WWW Address 674

Note the following details of the code protection feature on Microchip products:

- Microchip products meet the specifications contained in their particular Microchip Data Sheet.
- Microchip believes that its family of products is secure when used in the intended manner, within operating specifications, and under normal conditions.
- Microchip values and aggressively protects its intellectual property rights. Attempts to breach the code protection features of Microchip product is strictly prohibited and may violate the Digital Millennium Copyright Act.
- Neither Microchip nor any other semiconductor manufacturer can guarantee the security of its code. Code protection does not mean that we are guaranteeing the product is "unbreakable" Code protection is constantly evolving. Microchip is committed to continuously improving the code protection features of our products.

This publication and the information herein may be used only with Microchip products, including to design, test, and integrate Microchip products with your application. Use of this information in any other manner violates these terms. Information regarding device applications is provided only for your convenience and may be superseded by updates. It is your responsibility to ensure that your application meets with your specifications. Contact your local Microchip sales office for additional support or, obtain additional support at <https://www.microchip.com/en-us/support/design-help/client-support-services>.

THIS INFORMATION IS PROVIDED BY MICROCHIP "AS IS". MICROCHIP MAKES NO REPRESENTATIONS OR WARRANTIES OF ANY KIND WHETHER EXPRESS OR IMPLIED, WRITTEN OR ORAL, STATUTORY OR OTHERWISE, RELATED TO THE INFORMATION INCLUDING BUT NOT LIMITED TO ANY IMPLIED WARRANTIES OF NON-INFRINGEMENT, MERCHANTABILITY, AND FITNESS FOR A PARTICULAR PURPOSE, OR WARRANTIES RELATED TO ITS CONDITION, QUALITY, OR PERFORMANCE.

IN NO EVENT WILL MICROCHIP BE LIABLE FOR ANY INDIRECT, SPECIAL, PUNITIVE, INCIDENTAL, OR CONSEQUENTIAL LOSS, DAMAGE, COST, OR EXPENSE OF ANY KIND WHATSOEVER RELATED TO THE INFORMATION OR ITS USE, HOWEVER CAUSED, EVEN IF MICROCHIP HAS BEEN ADVISED OF THE POSSIBILITY OR THE DAMAGES ARE FORESEEABLE. TO THE FULLEST EXTENT ALLOWED BY LAW, MICROCHIP'S TOTAL LIABILITY ON ALL CLAIMS IN ANY WAY RELATED TO THE INFORMATION OR ITS USE WILL NOT EXCEED THE AMOUNT OF FEES, IF ANY, THAT YOU HAVE PAID DIRECTLY TO MICROCHIP FOR THE INFORMATION.

Use of Microchip devices in life support and/or safety applications is entirely at the buyer's risk, and the buyer agrees to defend, indemnify and hold harmless Microchip from any and all damages, claims, suits, or expenses resulting from such use. No licenses are conveyed, implicitly or otherwise, under any Microchip intellectual property rights unless otherwise stated.

For information regarding Microchip's Quality Management Systems, please visit www.microchip.com/quality.

Trademarks

The Microchip name and logo, the Microchip logo, Adaptec, AVR, AVR logo, AVR Freaks, BesTime, BitCloud, CryptoMemory, CryptoRF, dsPIC, flexPWR, HELDO, IGLoo, JukeBlox, KeeLoq, Klear, LANCheck, LinkMD, maXStylus, maXTouch, MediaLB, megaAVR, Microsemi, Microsemi logo, MOST, MOST logo, MPLAB, OptoLyzer, PIC, picoPower, PICSTART, PIC32 logo, PolarFire, Prochip Designer, QTouch, SAM-BA, SenGenuity, SpyNIC, SST, SST Logo, SuperFlash, Symmetricom, SyncServer, Tachyon, TimeSource, tinyAVR, UNI/O, Vectron, and XMEGA are registered trademarks of Microchip Technology Incorporated in the U.S.A. and other countries.

AgileSwitch, APT, ClockWorks, The Embedded Control Solutions Company, EtherSynch, Flashtec, Hyper Speed Control, HyperLight Load, Libero, motorBench, mTouch, Powermite 3, Precision Edge, ProASIC, ProASIC Plus, ProASIC Plus logo, Quiet-Wire, SmartFusion, SyncWorld, Temux, TimeCesium, TimeHub, TimePictra, TimeProvider, TrueTime, and ZL are registered trademarks of Microchip Technology Incorporated in the U.S.A.

Adjacent Key Suppression, AKS, Analog-for-the-Digital Age, Any Capacitor, AnyIn, AnyOut, Augmented Switching, BlueSky, BodyCom, Clockstudio, CodeGuard, CryptoAuthentication, CryptoAutomotive, CryptoCompanion, CryptoController, dsPICDEM, dsPICDEM.net, Dynamic Average Matching, DAM, ECAN, Espresso T1S, EtherGREEN, GridTime, IdealBridge, In-Circuit Serial Programming, ICSP, INICnet, Intelligent Paralleling, IntelliMOS, Inter-Chip Connectivity, JitterBlocker, Knob-on-Display, KoD, maxCrypto, maxView, memBrain, Mindi, MiWi, MPASM, MPF, MPLAB Certified logo, MPLIB, MPLINK, MultiTRAK, NetDetach, Omniscient Code Generation, PICDEM, PICDEM.net, PICkit, PICtail, PowerSmart, PureSilicon, QMatrix, REAL ICE, Ripple Blocker, RTAX, RTG4, SAM-ICE, Serial Quad I/O, simpleMAP, SimpliPHY, SmartBuffer, SmartHLS, SMART-I.S., storClad, SQI, SuperSwitcher, SuperSwitcher II, Switchtec, SynchroPHY, Total Endurance, Trusted Time, TSHARC, USBCheck, VariSense, VectorBlox, VeriPHY, ViewSpan, WiperLock, XpressConnect, and ZENA are trademarks of Microchip Technology Incorporated in the U.S.A. and other countries.

SQTP is a service mark of Microchip Technology Incorporated in the U.S.A.

The Adaptec logo, Frequency on Demand, Silicon Storage Technology, and Symmcom are registered trademarks of Microchip Technology Inc. in other countries.

GestIC is a registered trademark of Microchip Technology Germany II GmbH & Co. KG, a subsidiary of Microchip Technology Inc., in other countries.

All other trademarks mentioned herein are property of their respective companies.

© 2021-2022, Microchip Technology Incorporated and its subsidiaries.

All Rights Reserved.

ISBN: 978-1-6683-1038-0



MICROCHIP

Worldwide Sales and Service

AMERICAS

Corporate Office
2355 West Chandler Blvd.
Chandler, AZ 85224-6199
Tel: 480-792-7200
Fax: 480-792-7277
Technical Support:
<http://www.microchip.com/support>
Web Address:
www.microchip.com

Atlanta

Duluth, GA
Tel: 678-957-9614
Fax: 678-957-1455

Austin, TX

Tel: 512-257-3370

Boston

Westborough, MA
Tel: 774-760-0087
Fax: 774-760-0088

Chicago

Itasca, IL
Tel: 630-285-0071
Fax: 630-285-0075

Dallas

Addison, TX
Tel: 972-818-7423
Fax: 972-818-2924

Detroit

Novi, MI
Tel: 248-848-4000

Houston, TX

Tel: 281-894-5983

Indianapolis

Noblesville, IN
Tel: 317-773-8323
Fax: 317-773-5453
Tel: 317-536-2380

Los Angeles

Mission Viejo, CA
Tel: 949-462-9523
Fax: 949-462-9608
Tel: 951-273-7800

Raleigh, NC

Tel: 919-844-7510

New York, NY

Tel: 631-435-6000

San Jose, CA

Tel: 408-735-9110
Tel: 408-436-4270

Canada - Toronto

Tel: 905-695-1980
Fax: 905-695-2078

ASIA/PACIFIC

Australia - Sydney
Tel: 61-2-9868-6733

China - Beijing
Tel: 86-10-8569-7000

China - Chengdu
Tel: 86-28-8665-5511

China - Chongqing
Tel: 86-23-8980-9588

China - Dongguan
Tel: 86-769-8702-9880

China - Guangzhou
Tel: 86-20-8755-8029

China - Hangzhou
Tel: 86-571-8792-8115

China - Hong Kong SAR
Tel: 852-2943-5100

China - Nanjing
Tel: 86-25-8473-2460

China - Qingdao
Tel: 86-532-8502-7355

China - Shanghai
Tel: 86-21-3326-8000

China - Shenyang
Tel: 86-24-2334-2829

China - Shenzhen
Tel: 86-755-8864-2200

China - Suzhou
Tel: 86-186-6233-1526

China - Wuhan
Tel: 86-27-5980-5300

China - Xian
Tel: 86-29-8833-7252

China - Xiamen
Tel: 86-592-2388138

China - Zhuhai
Tel: 86-756-3210040

ASIA/PACIFIC

India - Bangalore
Tel: 91-80-3090-4444

India - New Delhi
Tel: 91-11-4160-8631

India - Pune
Tel: 91-20-4121-0141

Japan - Osaka
Tel: 81-6-6152-7160

Japan - Tokyo
Tel: 81-3-6880-3770

Korea - Daegu
Tel: 82-53-744-4301

Korea - Seoul
Tel: 82-2-554-7200

Malaysia - Kuala Lumpur
Tel: 60-3-7651-7906

Malaysia - Penang
Tel: 60-4-227-8870

Philippines - Manila
Tel: 63-2-634-9065

Singapore
Tel: 65-6334-8870

Taiwan - Hsin Chu
Tel: 886-3-577-8366

Taiwan - Kaohsiung
Tel: 886-7-213-7830

Taiwan - Taipei
Tel: 886-2-2508-8600

Thailand - Bangkok
Tel: 66-2-694-1351

Vietnam - Ho Chi Minh
Tel: 84-28-5448-2100

EUROPE

Austria - Wels
Tel: 43-7242-2244-39
Fax: 43-7242-2244-393

Denmark - Copenhagen
Tel: 45-4485-5910
Fax: 45-4485-2829

Finland - Espoo
Tel: 358-9-4520-820

France - Paris
Tel: 33-1-69-53-63-20
Fax: 33-1-69-30-90-79

Germany - Garching
Tel: 49-8931-9700

Germany - Haan
Tel: 49-2129-3766400

Germany - Heilbronn
Tel: 49-7131-72400

Germany - Karlsruhe
Tel: 49-721-625370

Germany - Munich
Tel: 49-89-627-144-0
Fax: 49-89-627-144-44

Germany - Rosenheim
Tel: 49-8031-354-560

Israel - Ra'anana
Tel: 972-9-744-7705

Italy - Milan
Tel: 39-0331-742611
Fax: 39-0331-466781

Italy - Padova
Tel: 39-049-7625286

Netherlands - Drunen
Tel: 31-416-690399
Fax: 31-416-690340

Norway - Trondheim
Tel: 47-7288-4388

Poland - Warsaw
Tel: 48-22-3325737

Romania - Bucharest
Tel: 40-21-407-87-50

Spain - Madrid
Tel: 34-91-708-08-90
Fax: 34-91-708-08-91

Sweden - Gothenberg
Tel: 46-31-704-60-40

Sweden - Stockholm
Tel: 46-8-5090-4654

UK - Wokingham
Tel: 44-118-921-5800
Fax: 44-118-921-5820