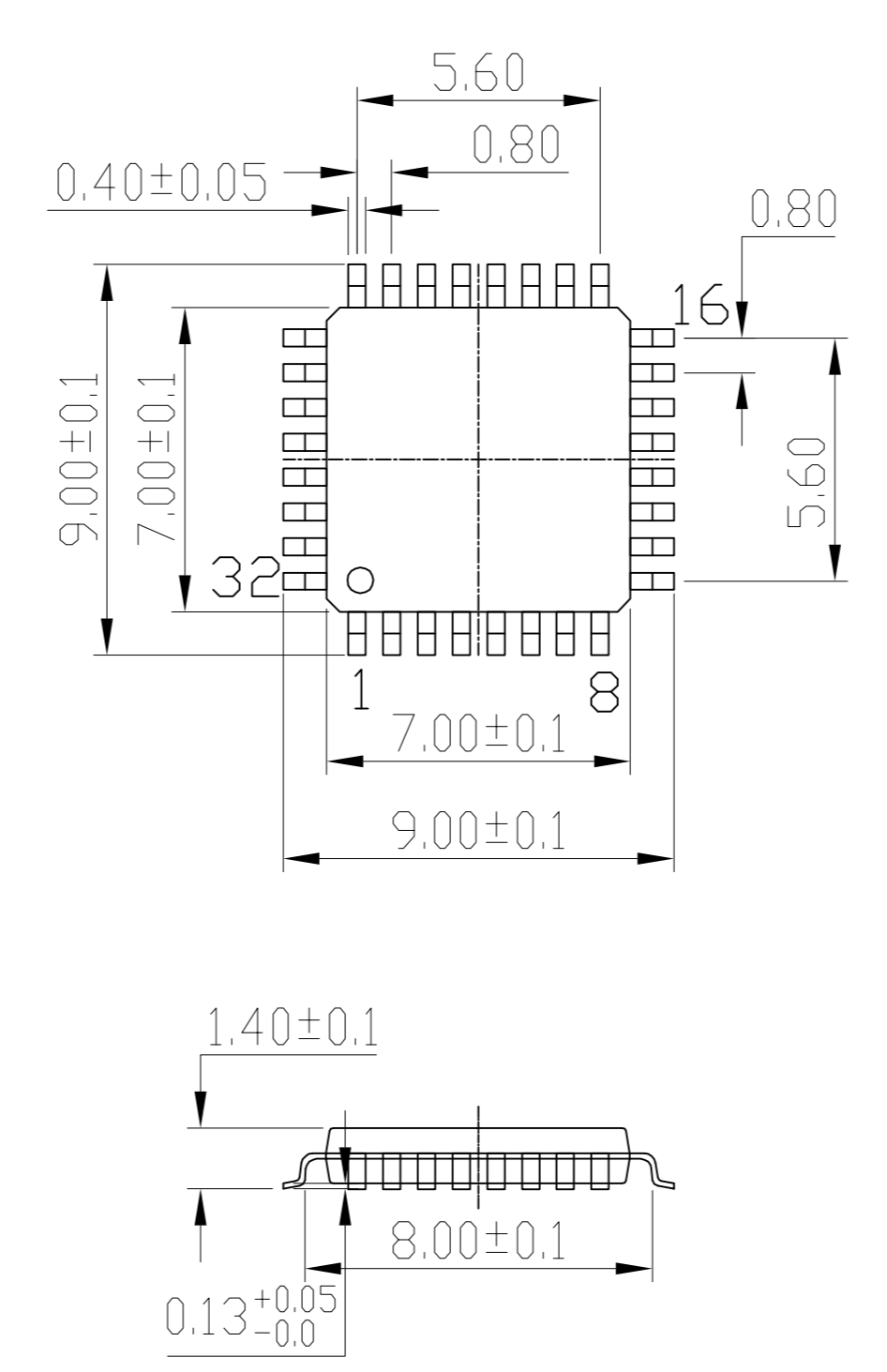
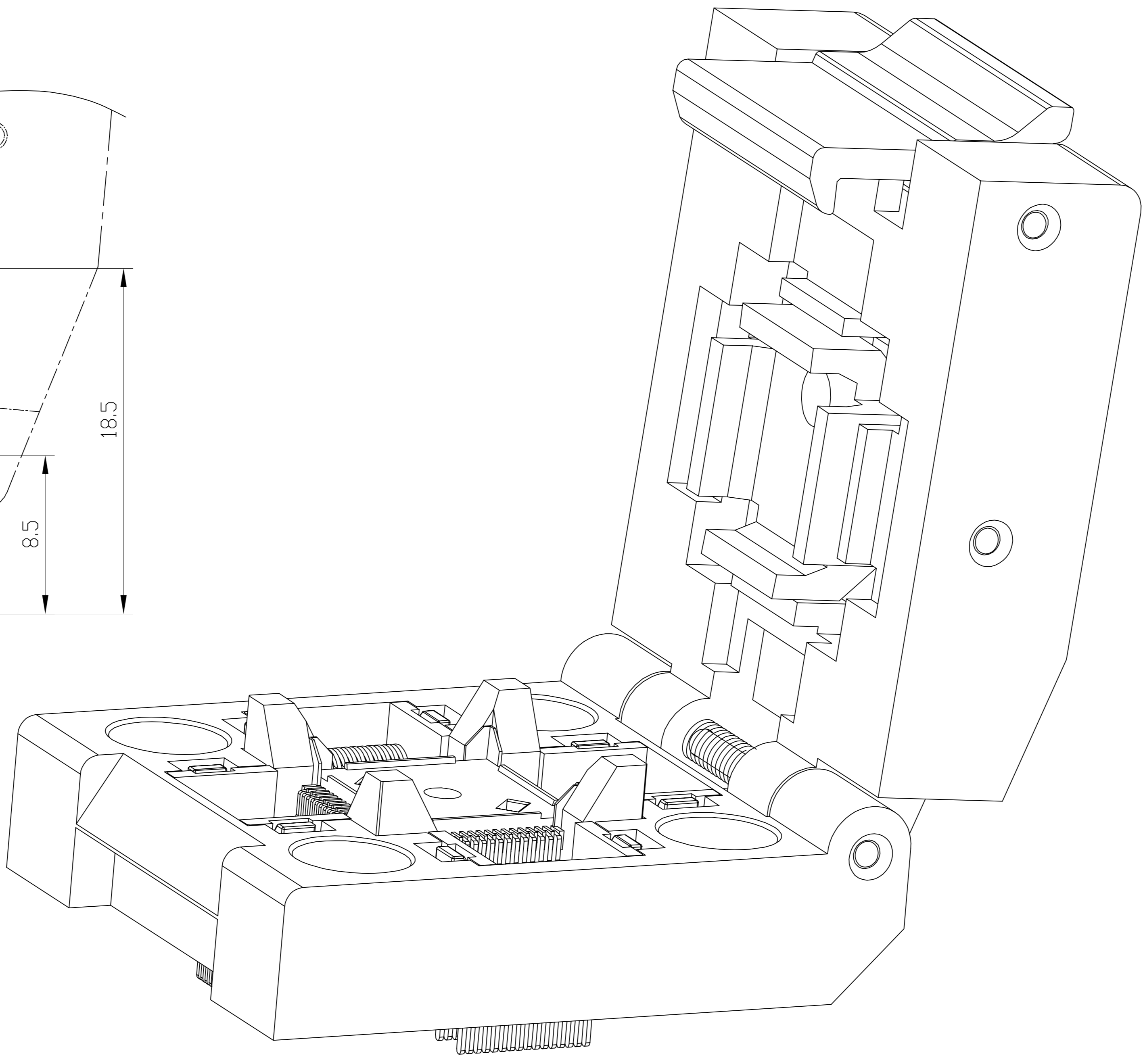
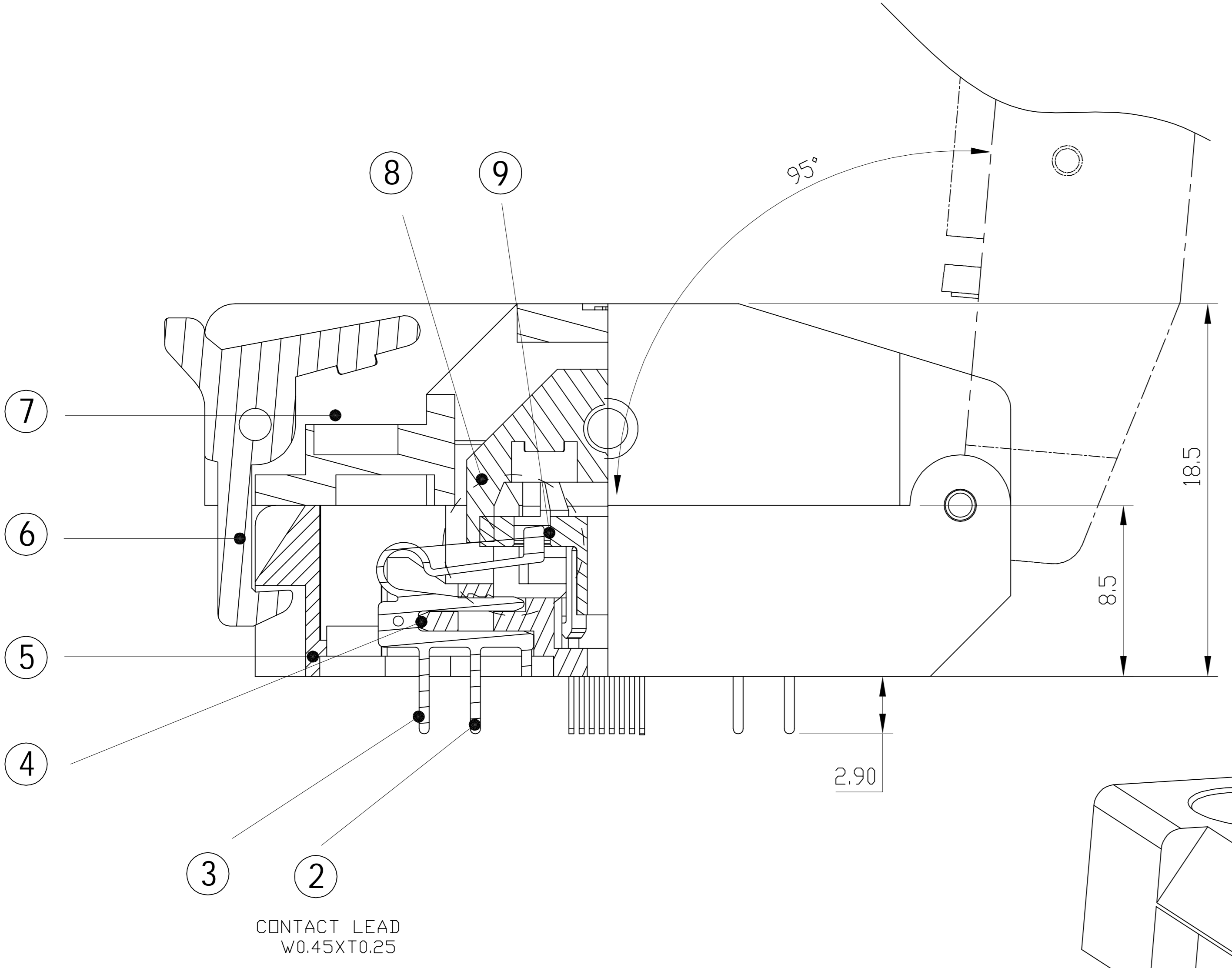
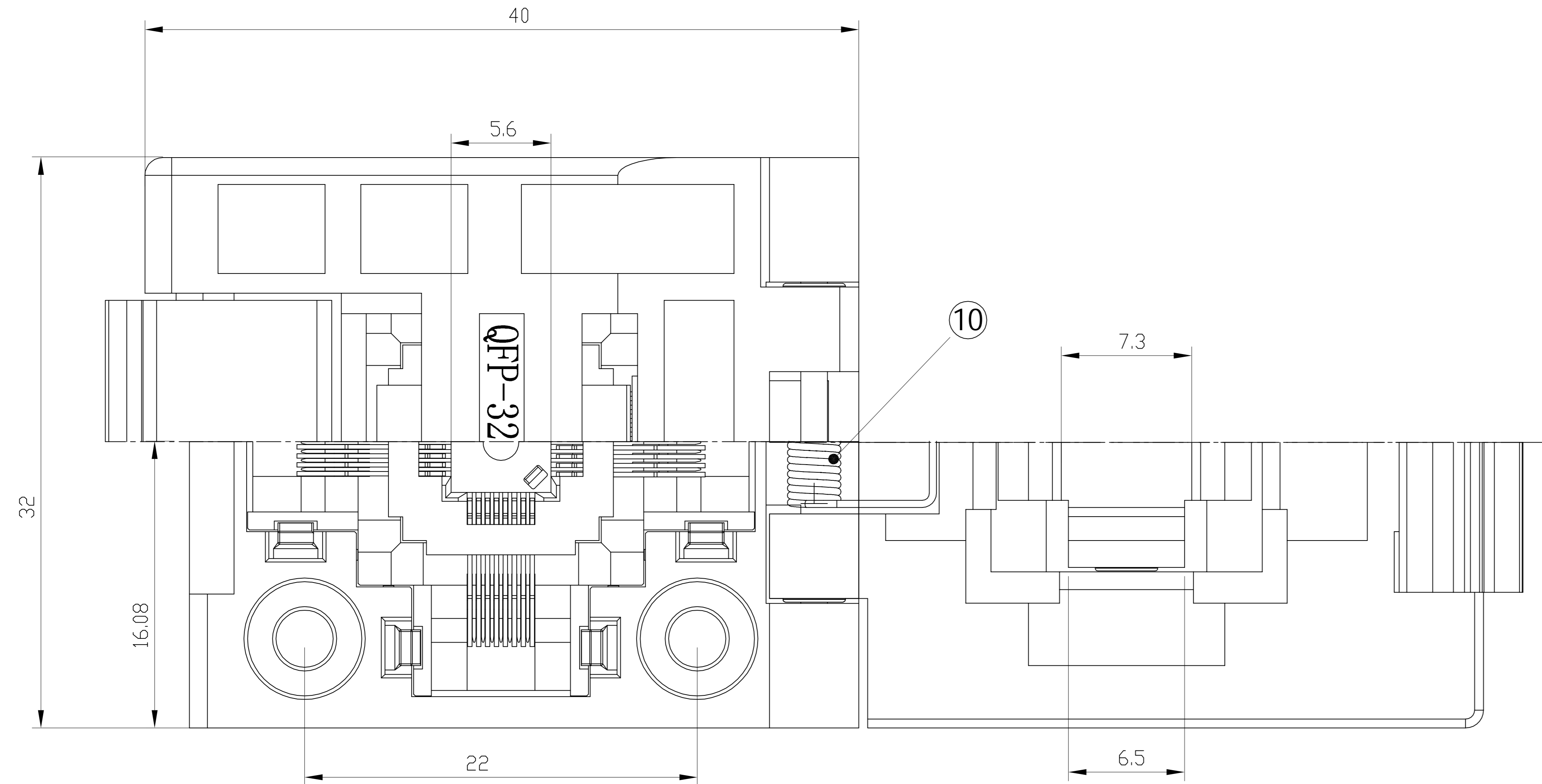
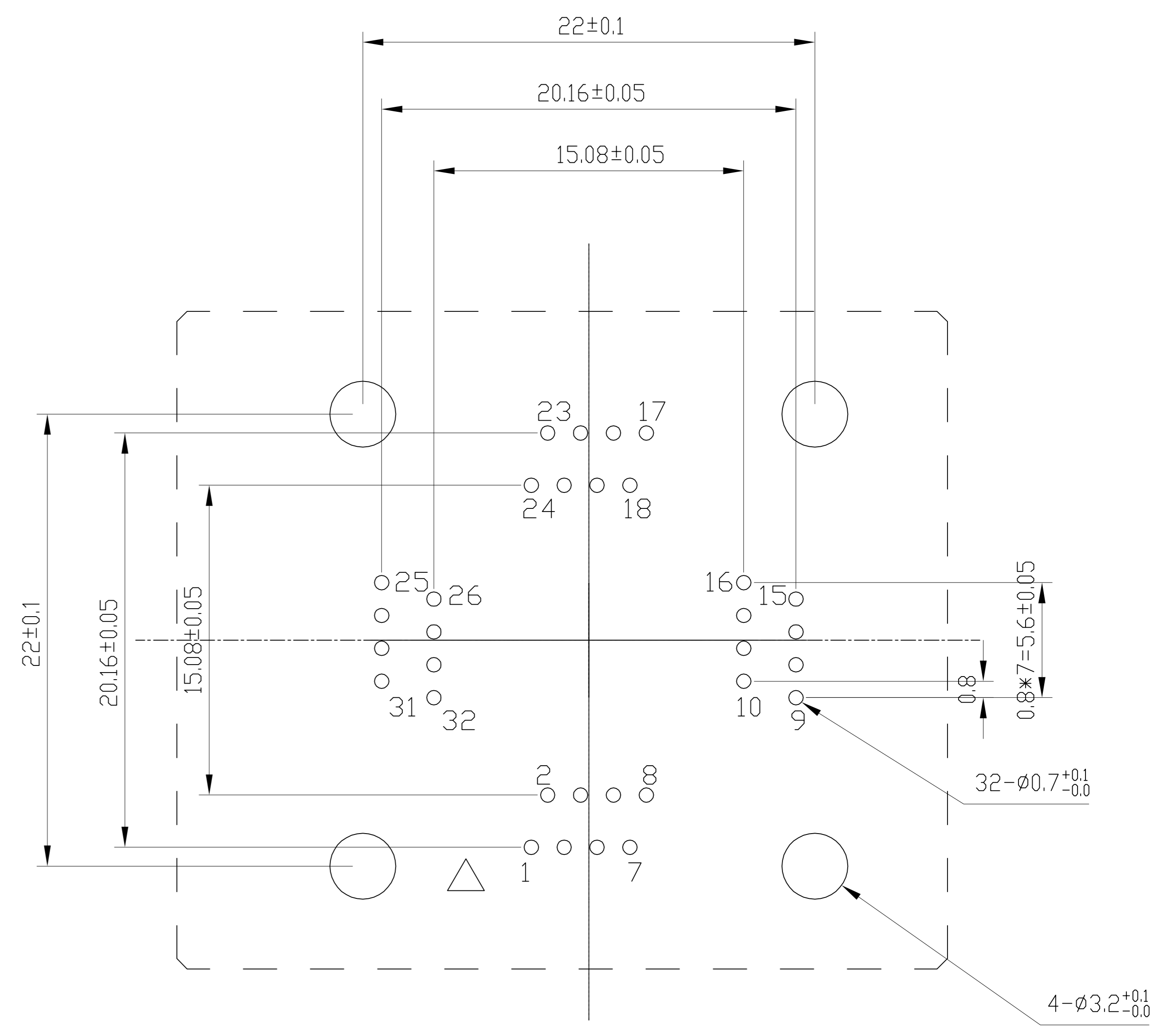


REVISION	DESCRIPTION	CHECK	APP	DATE	REV. NOTICE. NO
△ 1					
△ 2					
△ 3					

APPLICABLE IC

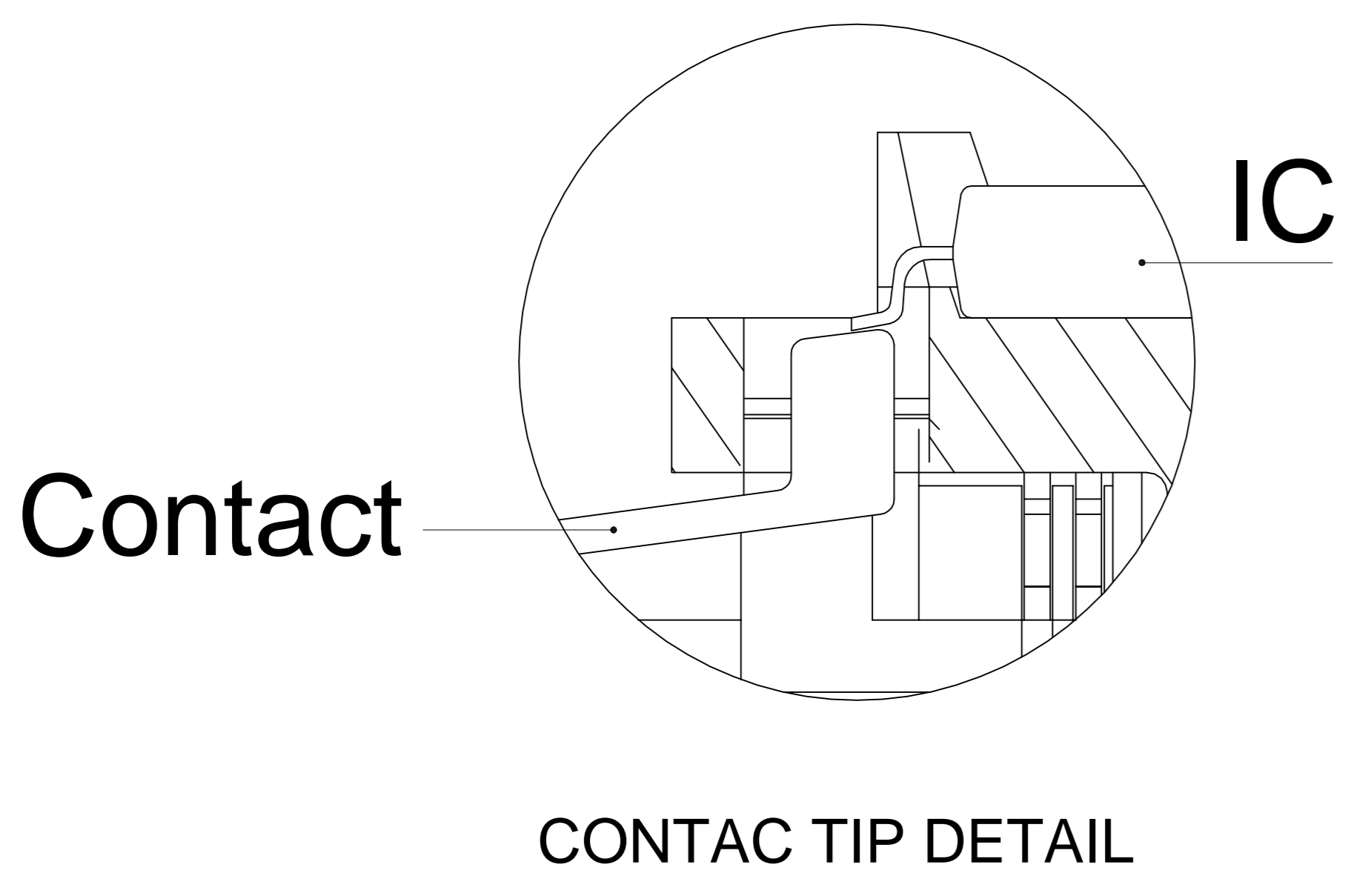


PCB PATTERN (TOP VIEW)



PERFORMANCE

- Insulation Resistance: 1000MΩ Min. At DC 500V
- Dielectric Withstanding Voltage For 1 Minute At AC500V
- Contact Resistance (Initial) 30mΩ MAX at 10mA
- Rated Current: 1.0A.
- Operation Temperature range -65°C ~+150°C
- Insertion Min10000 cycle (Mechanical)
- Material: Body:PAI,PES; Contact:BeCu,Au plating(Ni-base)



No	Part Number	Name	Material	Q/ty	Note	TOLERANCE	PROJECTION	GENERAL TOLERANCES	REVISION	CLASS	TITLE
10	30-B-4515X	SPRING	SUS	1	FOR COVER			±0.10			QFP32-0.8 SOCKET
9	QFP32-0.5-FFC	FLOATING CARRIER	PEI/PES	1	BLACK			A			QFP32-0.8-CP01NT
8	QFP32-0.5-FSB	SWINGING BLOCK	PEI/PES	1	BLACK	X. ± 0.50	DIMENSION: mm	SCALE: 1:1		DRW. NO	01
7	QFP32-0.5-FCR	COVER	PEI/PES	1	BLACK	X.X ± 0.25	APP:	DATE:			
6	QFP32-0.5-FLH	LATCH	PEI/PES	1	BLACK	X.XX ± 0.10	CHECK:	DATE:			
5	QFP32-0.5-FBY	BODY	PEI/PES	1	BLACK	X.XXX ± 0.05	DEGK: ENG03	DATE: 20150909			
4	QFP32-0.5-FCE	CORE	PEI/PES	1	BLACK						
3	QFP32-0.5-FCTC	CONTACT	BeCu	16	FOR COVER						
2	QFP32-0.5-FCTB	CONTACT	BeCu	16	BLACK						
1	QFP32-0.5-FCTA	CONTACT	BeCu	**	Au PLATING						

