

20-Output DB2000QL Buffer with Ultra-Low Additive Jitter

Features

- Fully Compliant with Intel DB2000QL Specification
- 20 Low-Power Push-Pull HCSL PCIe Outputs
- Ultra-low additive jitter: 14fs typical in DB2000QL band
- Supports clock frequencies from 0 to 250MHz
- Supports 3.3V power supplies
- Embedded Low Drop Out (LDO) Voltage regulator provides superior Power Supply Noise Rejection
- Maximum output to output skew of 50ps
- SMBus Interface
- Side-Band Interface (SBI)
- Eight OE pins
- Embedded series termination resistors for 85Ω differential transmission line
- Transparent for Spread Spectrum Clock

Ordering Information

ZL40294LDG6	80 pin GQFN	Trays
ZL40294LDF6	80 pin GQFN	Tape and Reel

Package size: 6 x 6 mm
 -40°C to +85°C

Applications

- PCI Express generation 1/2/3/4/5 clock distribution
- Intel QPI
- Servers
- Storage and Data Centers
- Switches and Routers

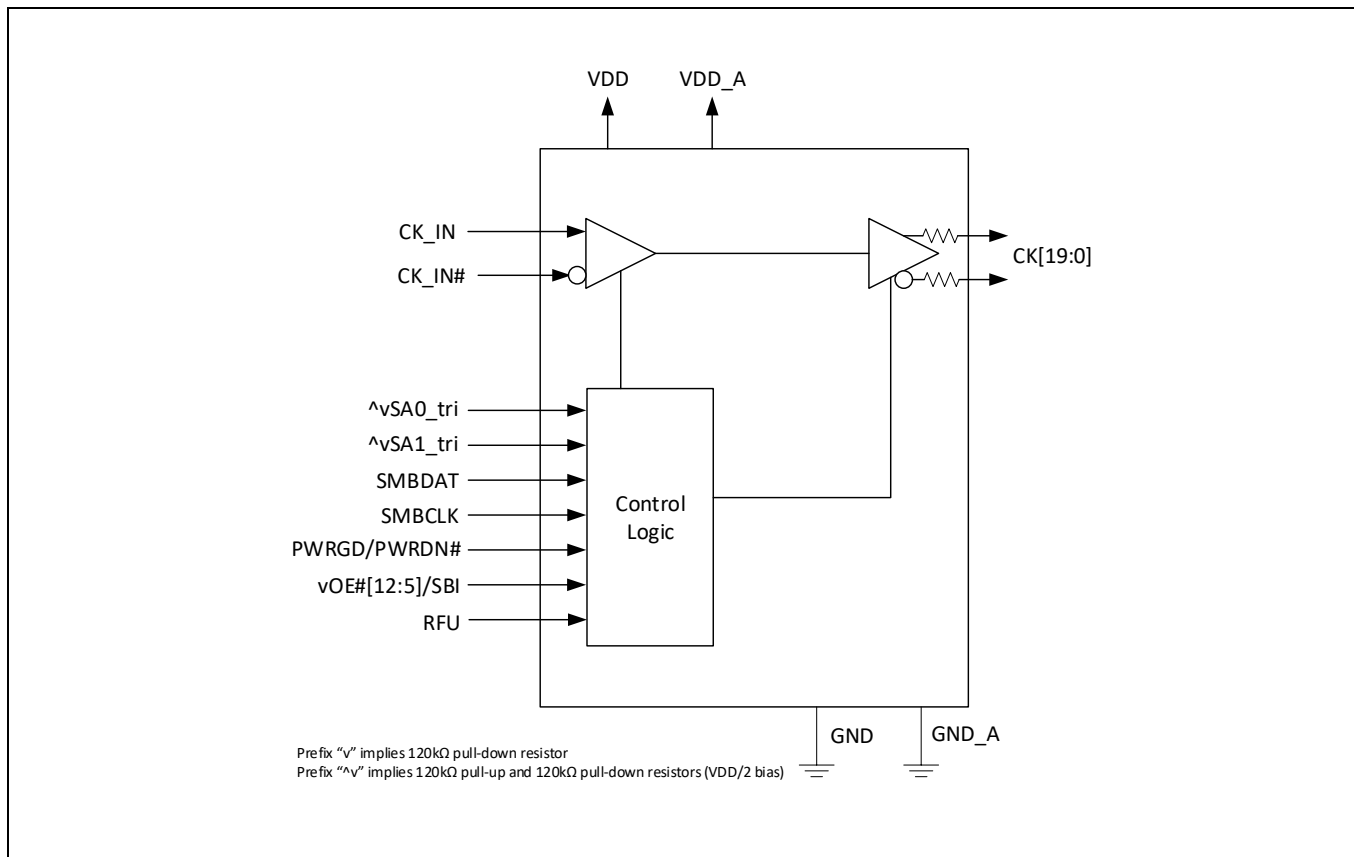


Figure 1. Functional Block Diagram

Table of Contents

Features.....	1
Applications.....	1
Table of Contents	2
Pin Diagram	5
Pin Descriptions	6
Functional Description	8
Clock Inputs	8
Clock Outputs	9
Termination of unused outputs	11
Power Supply Filtering	11
OE# and Output Enables (Control Register)	11
OE# Assertion (Transition from '1' to '0').....	11
OE# De-Assertion (Transition from '0' to '1').....	12
PWRGD / PWRDN#	12
PWRDN# Assertion	12
PWRGD Assertion	12
Programming via SMBus	14
SMBus Byte Read/Write	14
SMBus Block Read/Write	15
Side-Band Interface	16
Typical Jitter Performance	18
Register Map	19
AC and DC Electrical Characteristics	24
Absolute Maximum Ratings	24
DC Electrical Specification.....	25
AC Electrical Specification.....	28
SMBus Electrical Characteristics.....	30
Side-Band Interface Characteristics	31
Package Outline	33
Change History	36

List of Figures

Figure 1.	Functional Block Diagram.....	1
Figure 2.	Pin Diagram	5
Figure 3.	Input driven by a push-pull differential output.....	9
Figure 4.	Input driven by an HCSL output	9
Figure 5.	Input driven by a single ended output	9
Figure 6.	Terminating differential outputs.	10
Figure 7.	Power Supply Filtering	11
Figure 8.	PWRDN# Assertion	12
Figure 9.	PWRGD and V _{DD} Relationship diagram.....	13
Figure 10.	PWRGD Assertion	13
Figure 11.	SMBus Byte Read.....	14
Figure 12.	SMBus Byte Write	15
Figure 13.	SMBus Block Read	15
Figure 14.	SMBus Block Write.....	16
Figure 15.	Side-Band Interface Control Logic – Functional Description.....	17
Figure 16.	Side-Band Interface Functional Timing.....	17
Figure 17.	ZL40294 typical phase noise	18
Figure 18.	DC Test Load (as per DB2000QL)	26
Figure 19.	Single-Ended Measurement Points for TRise and TFall	26
Figure 20.	Single-Ended Measurement Points for Vovs, Vuds, Vrb.....	26
Figure 21.	Differential (CK, CK#) Measurement Points	27
Figure 22.	AC Test Load as per DB2000QL Specifications.....	28
Figure 23.	SMBus Timing	30
Figure 24.	Side-Band Interface timing	31

List of Tables

Table 1 Pin Descriptions	6
Table 2 OE Functionality.....	11
Table 3 PWRGD / PWRDN# Functionality.....	12
Table 4 SMBus Address Table.....	14
Table 5 Byte 0: Output Enable.....	19
Table 6 Byte 1: Output Enable Control Register	19
Table 7 Byte 2: Output Enable Control Register	19
Table 8 Byte 3: OE# Pin Realtime Readback Control Register	20
Table 9 Byte 4: Reserved Control Register.....	20
Table 10 Byte 5: Vendor/Revision Identification Control Register.....	20
Table 11 Byte 6: Device ID Control Register	21
Table 12 Byte 7: Byte Count Register	21
Table 13 Byte 8: SBI Mask – Functional only when SBEN=1	22
Table 14 Byte 9: SBI Mask – Functional only when SBEN=1	22
Table 15 Byte 10: SBI Mask – Functional only when SBEN=1	23
Table 16 Absolute Maximum Ratings*.....	24
Table 17 DC Operating Characteristics*.....	25
Table 18 Differential DC Output Characteristics*.....	25
Table 19 Power Noise Tolerance*	28
Table 20 Skew and Jitter.....	28
Table 21 Differential Output Clock AC Characteristics	29
Table 22 Differential Input Clock AC Characteristics	29
Table 23 Current Consumption.....	29
Table 24 SMBus Electrical Characteristics	30
Table 25 Side-Band Interface.....	31
Table 26 6x6mm GQFN Package Thermal Properties.....	32

Pin Diagram

The device is packaged in a 6x6mm 80-pin GQFN.

	1	2	3	4	5	6	7	8	9	10	11	12	
A	CK17	CK16#	CK16	CK15#	CK15	CK14#	CK14	CK13#	CK13	CK12#	CK12	CK11#	A
B	CK17#	VDD	NC	[^] vSA0_tri	NC	VDD	NC	[^] vSA1_tri	NC	vOE12#	VDD	CK11	B
C	CK18	NC	DB2000QL 80-pin GQFN 6mm x 6mm top view EPAD is GND								vOE11#	CK10#	C
D	CK18#	NC									NC	CK10	D
E	CK19	vSBEN									vOE10# vSHFT_LD#	vOE9#	E
F	CK19#	NC									NC	CK9#	F
G	CK_IN	NC									NC	CK9	G
H	CK_IN#	VDD_A									vOE8#	CK8#	H
J	CK0	NC									NC	CK8	J
K	CK0#	NC									vOE7#	CK7#	K
L	CK1	VDD	NC	SMBDAT	SMBCLK	NC	NC	vOE5# vDATA	NC	vOE6# vCLK	VDD	CK7	L
M	CK1#	CK2	CK2#	CK3	CK3#	vPWRGN/ PWRDWN#	CK4	CK4#	CK5	CK5#	CK6	CK6#	M
	1	2	3	4	5	6	7	8	9	10	11	12	

Prefix "v" implies 120kΩ pull-down resistor

Prefix "[^]v" implies 120kΩ pull-up and 120kΩ pull-down resistors (VDD/2 bias)

Figure 2. Pin Diagram

Pin Descriptions

The I/O column uses the following symbols: I – input, I_{PU} – input with 120kΩ internal pull-up resistor, I_{PD} – input with 120kΩ internal pull-down resistor, O – output, I/O – Input/Output Drain pin, NC-No connect pin, P – power supply pin, I_{TRI} – Tri-level input pin biased to VDD/2 by internal 120kΩ pull-up and 120kΩ pull-down resistors.

Table 1 Pin Descriptions

#	Name	I/O	Description
Input Reference			
G1 H1	CK_IN CK_IN#	I	Input Differential or Single Ended Reference Input frequency range 0Hz to 250MHz.
Output Clocks			
J1 K1 L1 M1 M2 M3 M4 M5 M7 M8 M9 M10 M11 M12 L12 K12 J12 H12 G12 F12 D12 C12 B12 A12 A11 A10 A9 A8 A7 A6 A5 A4	CK0 CK0# CK1 CK1# CK2 CK2# CK3 CK3# CK4 CK4# CK5 CK5# CK6 CK6# CK7 CK7# CK8 CK8# CK9 CK9# CK10 CK10# CK11 CK11# CK12 CK12# CK13 CK13# CK14 CK14# CK15 CK15#	O	Ultra-Low Additive Jitter Differential Outputs 0 to 19 Output frequency range 0 to 250MHz

A3	CK16								
A2	CK16#								
A1	CK17								
B1	CK17#								
C1	CK18								
D1	CK18#								
E1	CK19								
F1	CK19#								
Hardware Control									
K11 H11 E12 C11 B10	vOE7# vOE8# vOE9# vOE11# vOE12#	I _{PD}	<p>Output Enable. Logic level on these pins enables/disables corresponding output.</p> <table border="1"> <thead> <tr> <th>OE_n#</th> <th>CKn/n#</th> </tr> </thead> <tbody> <tr> <td>0</td> <td>Active</td> </tr> <tr> <td>1</td> <td>Low/Low both pulled low by 42.5 Ω</td> </tr> </tbody> </table>	OE_n#	CKn/n#	0	Active	1	Low/Low both pulled low by 42.5 Ω
OE_n#	CKn/n#								
0	Active								
1	Low/Low both pulled low by 42.5 Ω								
L8	vOE5#/vDATA	I _{PD}	<p>Output Enable/ Data input for Side Band Interface</p> <p>When Side-Band interface is disabled (pin SBEN pulled low) this pin is Output Enable and the description is the same as for pin K11 above.</p> <p>When Side-Band interface is enabled (pin SBEN pulled high) this pin is Data Input for Side-Band interface.</p>						
L10	vOE6#/vCLK	I _{PD}	<p>Output Enable/ Clock input for Side Band Interface</p> <p>When Side-Band interface is disabled (pin SBEN pulled low) this pin is Output Enable and the description is the same as for pin K11 above.</p> <p>When Side-Band interface is enabled (pin SBEN pulled high) this pin is Clock Input for Side-Band interface.</p>						
E11	vOE10#/ vSHFT_LD#	I _{PD}	<p>Output Enable/ Shift load for Side Band Interface</p> <p>When Side-Band interface is disabled (pin SBEN pulled low) this pin is Output Enable and the description is the same as for pin K11 above.</p> <p>When Side-Band interface is enabled (pin SBEN pulled high) this pin is Shift Load Input for Side-Band interface. A falling edge on this pin transfers the sideband shift register content to the output register.</p>						
E2	vSBEN	I _{PD}	<p>Side-Band Interface Enable</p> <p>When this pin is low, the Side-Band interface is disabled and OE pins and OE Register bits (via SMBus) can be used to enable/disable outputs.</p> <p>When this pin is high, the Side-Band interface can be used to enable/disable outputs, and OE pins and OE Register bits (via SMBus) are disabled.</p>						
M6	PWRGD/PWRDN#	I	Power up / power down						
SMBus Control									
L5	SMBCLK	I	SMBus slave clock input						

L4	SMBDAT	I/O	Input/Open drain SMBus data
B4 B8	\wedge vSADR0_tri \wedge vSADR1_tri	I _{TRI}	Tri level address selection inputs
Power and Ground			
B2 B6 B11 L2 L11	VDD	P	Positive Supply Voltage. Connect to 3.3V supply.
H2	VDD_A	P	Positive Analog Supply Voltage Connect 3.3V power supply.
E-Pad	GND	P	Ground. Connect to ground
No Connect Pins			
B3 B5 B7 B9 C2 D2 D11 F2 F11 G2 G11 J2 J11 K2 L3 L6 L7 L9	N/C		No Connect. These pins are not connected to the die. Leave them open. One of these pins might be used for future modifications of DB2000QL spec. The current DB2000QL v1.0 standard calls for RFU (Reserved for Future Upgrades) pin but does not assign it to any pin number.

Functional Description

The ZL40294 is an ultra-low additive jitter, low power 1 to 20 fanout buffer which is fully compliant with Intel DB2000QL Standard.

The device operates from 3.3V+/-5% supply as per Intel spec. Its operation is guaranteed over the industrial temperature range -40°C to +85°C.

Clock Inputs

The following blocks diagram shows how to terminate different signals fed to the inputs of ZL40294 device.

The device input can be fed with transmission lines of any impedance. Examples below show only 50Ω single ended, 85 Ω differential and 100 Ω differential which are the most common ones in practice. Figure 3 and Figure 4 show how to terminate the input when driven from a push-pull and traditional HCSL drivers respectively.

Figure 5 shows how to terminate a single ended output such as LVCMOS. This example assumes 50 Ω transmission line which is the most common for single ended CMOS signaling. Ideally, resistors R1 and R2 should be 100Ω each and R_o + R_s should be 50Ω so that the transmission line is terminated at both ends with characteristic impedance. If the driving strength of the output driver is not sufficient to drive low impedance, the value of series resistor R_s should

be increased. This will reduce the voltage swing at the input but this should be fine as long as the input voltage swing requirement is not violated (Figure 5). The source resistors of $R_s = 270\Omega$ could be used for standard LVCMOS driver. This will provide 516mV of voltage swing for 3.3V LVCMOS driver with load current of $(3.3V/2) * (1/(270\Omega + 50\Omega)) = 5.16mA$.

For optimum performance both differential input pins ($_p$ and $_n$) need to be DC biased to the same voltage. Hence, the ratio $R1/R2$ should be equal to the ratio $R3/R4$.

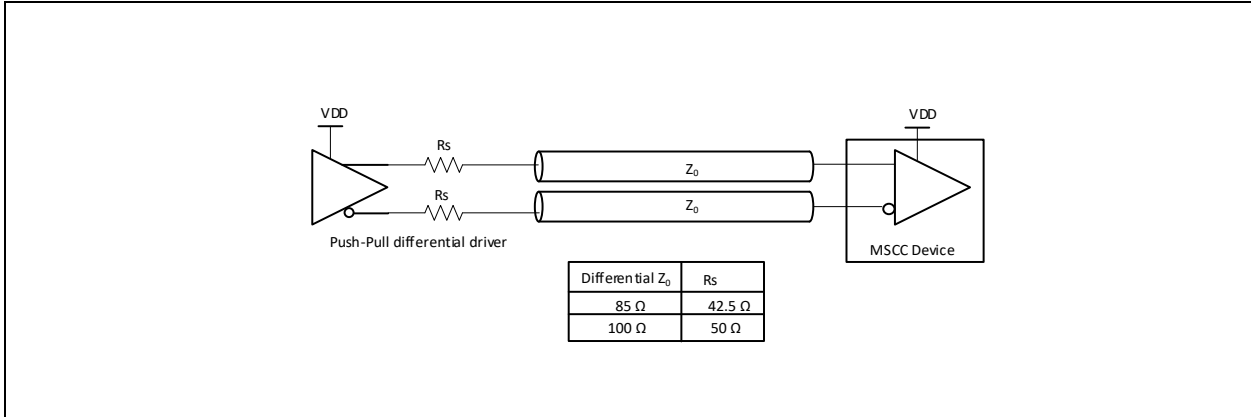


Figure 3. Input driven by a push-pull differential output

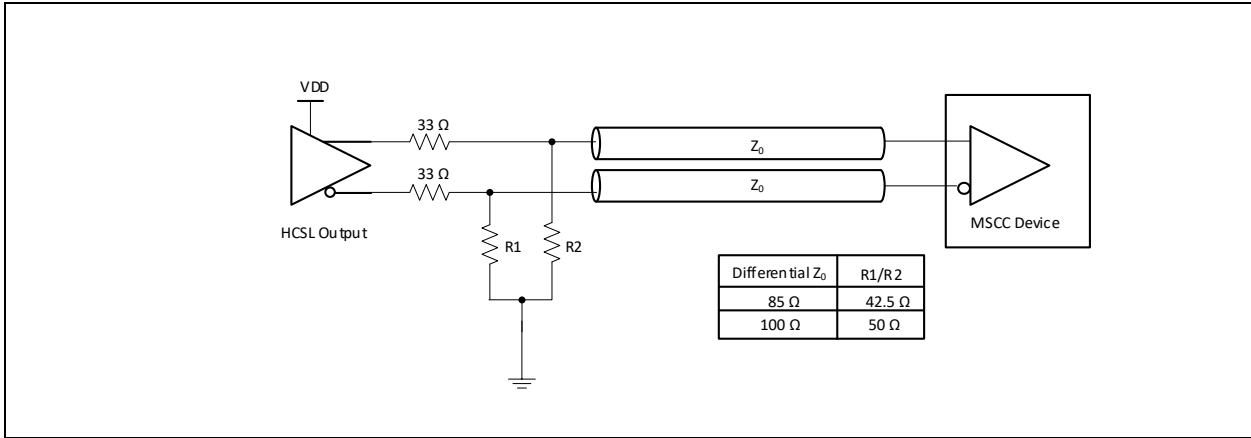


Figure 4. Input driven by an HCSL output

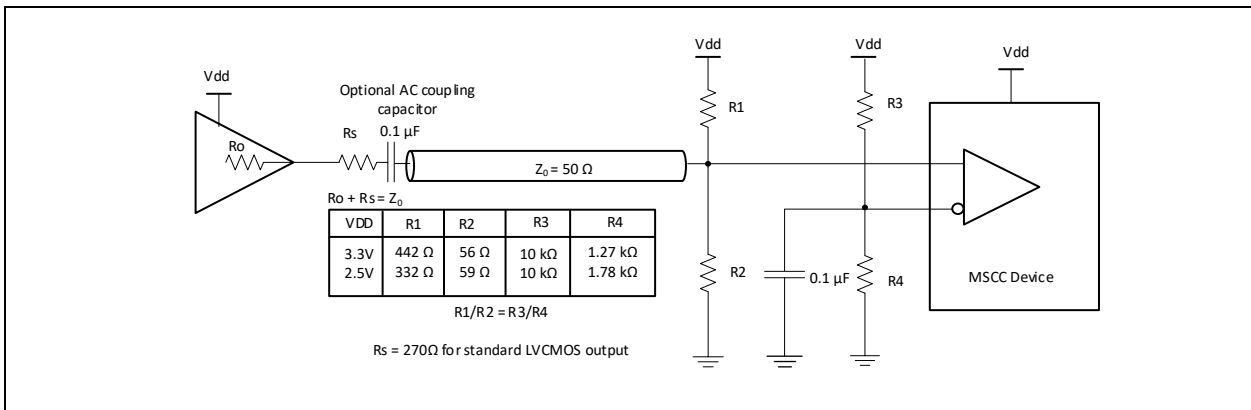


Figure 5. Input driven by a single ended output

Clock Outputs

Differential outputs have embedded termination resistors as shown in Figure 6. This provides significant saving relative to traditional current based HCSL outputs which require four resistors per differential pair (80 resistors for 20 outputs).

Embedded termination resistors in ZL40294 are matched for 85Ω differential transmission line.

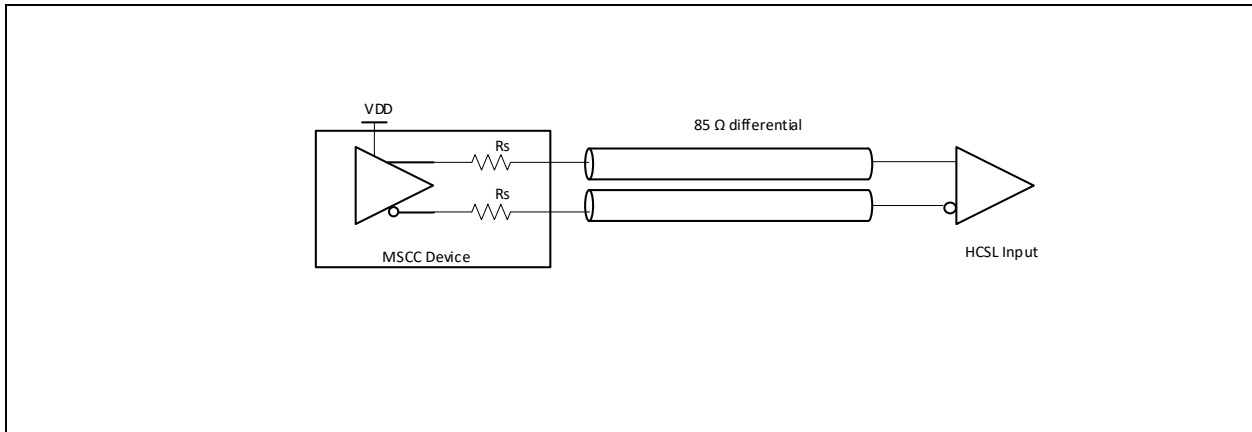


Figure 6. Terminating differential outputs.

Termination of unused outputs

Unused outputs should be left unconnected.

Power Supply Filtering

Each power pin (VDDA and VDD) should be decoupled with 0.1 μF capacitor with minimum equivalent series resistance (ESR) and minimum series inductance (ESL). For example, 0402 X5R Ceramic Capacitors with 6.3V minimum rating could be used. These capacitors should be placed as close as possible to the power pins. To reduce the power noise from adjacent digital components on the board each power supply could be further insulated with low DC resistance ferrite bead with two capacitors. The ferrite bead will also insulate adjacent component from the noise generated from the device. Following figure shows recommended decoupling.

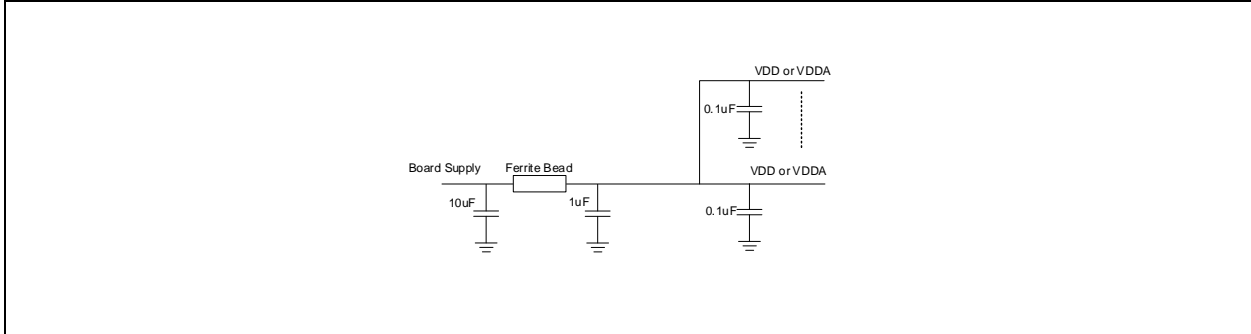


Figure 7. Power Supply Filtering

OE# and Output Enables (Control Register)

Each output can be individually enabled or disabled by SMBus control register bits or via OE# pin. The OE# pins are asynchronous asserted-low signals. The Output Enable bits in the SMBus registers are active high and are set to enable by default.

OE# pins are mapped to CK[12:5] outputs.

Note that the logic level for assertion or de-assertion is different in software than it is on hardware. This follows hardware default nomenclature for communication channels (e.g., output is enabled if OE# pin is pulled low) and still maintains software programming logic (e.g., output is enabled if OE register is true).

Refer to Table 2 for the truth table for enabling and disabling outputs via hardware and software. Note that both the control register bit must be a '1' AND the OE# pin must be a '0' for the output to be active.

Table 2 OE Functionality

Inputs		OE# Hardware Pins and Control Register Bits			
PWRGD/ PWRDN#	CK_IN/ CK_IN#	SMBUS Enable Bit	OE# Pin	CK/CK# [12:5]	CK/CK# [4:0] and [19:13]
0	X	X	X	0	0
1	Running	0	X	0	0
		1	0	Running	Running
		1	1	0	Running

OE# Assertion (Transition from '1' to '0')

All differential outputs that were disabled are to resume normal operation in a glitch free manner. The latency from the assertion to active outputs is 0 - 10 CK clock periods.

OE# De-Assertion (Transition from ‘0’ to ‘1’)

The impact of de-asserting OE# is each corresponding output will transition from normal operation to disabled in a glitch free manner. A minimum of four valid clocks will be provided after the de-assertion of OE#. The maximum latency from the de-assertion to disabled outputs is 10 CK clock periods.

PWRGD / PWRDN#

PWRGD is asserted high and de-asserted low. De-assertion of PWRGD (pulling the signal low) is equivalent to indicating a powerdown condition. PWRGD (assertion) is used by the ZL40294 to sample initial configurations such as SA selections.

After PWRGD has been asserted high for the first time, the pin becomes a PWRDN# (Power Down) pin which is used to disable (drive low/low) all clocks cleanly and instruct the device to invoke power savings mode. PWRDN# is a completely asynchronous active low input. When entering power savings mode, PWRDN# should be asserted low prior to shutting off the input clock or power to ensure all clocks shut down in a glitch free manner. When PWRDN# is de-asserted high, all clocks will start and stop without any abnormal behavior and will meet all AC and DC parameters.

The assertion and de-assertion of PWRDN# is asynchronous.

Disabling of the CK_IN input clock prior to assertion of PWRDN# is an undefined mode and not recommended. Operation in this mode may result in glitches.

Table 3 PWRGD / PWRDN# Functionality

PWRGD / PWRDN#	CK	CK#
0	LOW	LOW
1	Normal	Normal

PWRDN# Assertion

When PWRDN# is sampled low by two consecutive rising edges of CK#, all differential outputs will be disabled on the next CK# high to low transition.

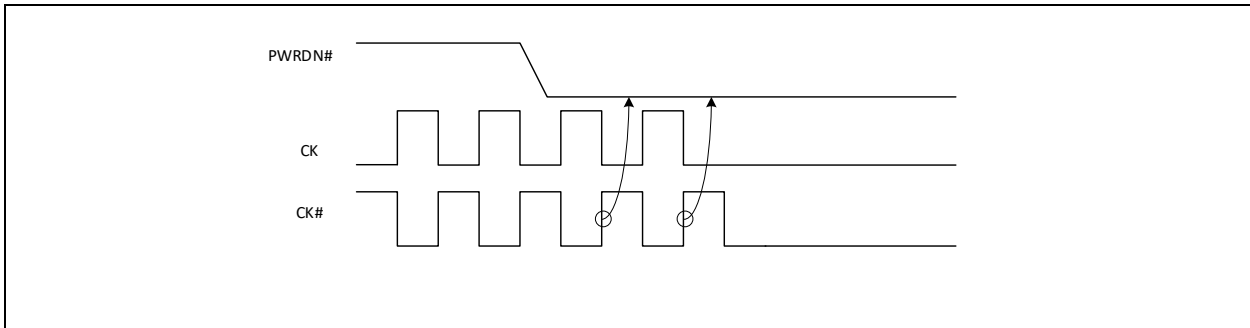


Figure 8. PWRDN# Assertion

PWRGD Assertion

PWRGD to the clock buffer should not be asserted before V_{DD} reaches V_{DDmin}. Prior to V_{DDmin} it is recommended to hold PWRGD low (less than 0.5 V)

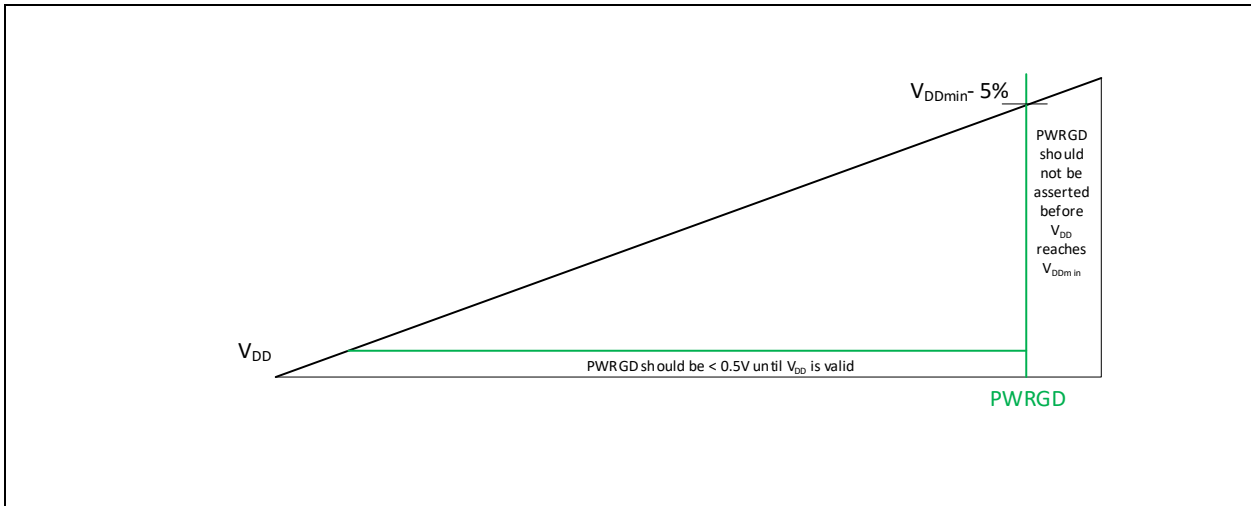


Figure 9. PWRGD and V_{DD} Relationship diagram

The power-up latency T_{stable} is to be less than 1.8 ms. This is the time from the valid CK_IN input clocks and the assertion of the PWRGD signal to the time that stable clocks are output from the buffer chip. All differential outputs stopped in a disabled condition resulting from power down must be driven high in less than 300 μ s of PWRGD assertion to a voltage greater than 200 mV.

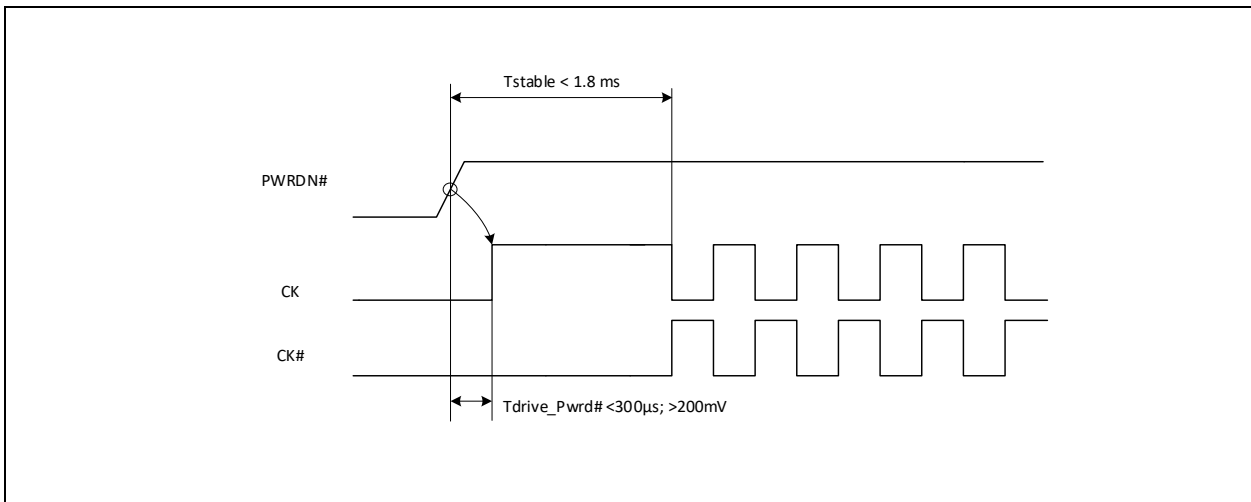


Figure 10. PWRGD Assertion

Programming via SMBus

The address selection is done via SA_0 and SA_1 tri-level hardware pins, which select the appropriate address for the device.

The two tri-level input pins that can configure the ZL40294 to nine different addresses (refer to Table 17 for VIL_Tri, VIM_Tri, VIH_Tri signal level).

Table 4 SMBus Address Table

SA_1	SA_0	SMBus Address
L	L	D8
L	M	DA
L	H	DE
M	L	C2
M	M	C4
M	H	C6
H	L	CA
H	M	CC
H	H	CE

SMBus Byte Read/Write

Reading or writing a register in a SMBus slave device in byte mode always involves specifying the register number.

Read. The standard byte read is as shown in Figure 11. It is an extension of the byte write. The write start condition is repeated then the slave device starts sending data and the master acknowledges it until the last byte is sent. The master terminates the transfer with a NAK then a stop condition. For byte operation, the 2*7th bit of the command byte must be set. For block operations, the 2*7th bit must be reset. If the bit is not set, the next byte must be the byte transfer count.

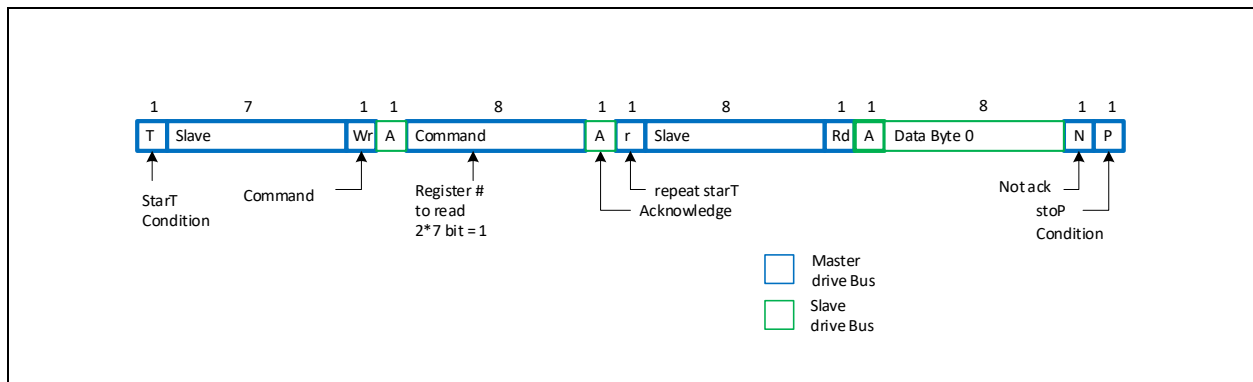


Figure 11. SMBus Byte Read

Write. Figure 12 illustrates a simple typical byte write. For byte operation the 2*7th bit of the command byte must be set. For block operations, the 2*7th bit must be reset. If the bit is not set the next byte must be the byte transfer count. The count can be between 1 and 32. It cannot be zero or exceed 32.

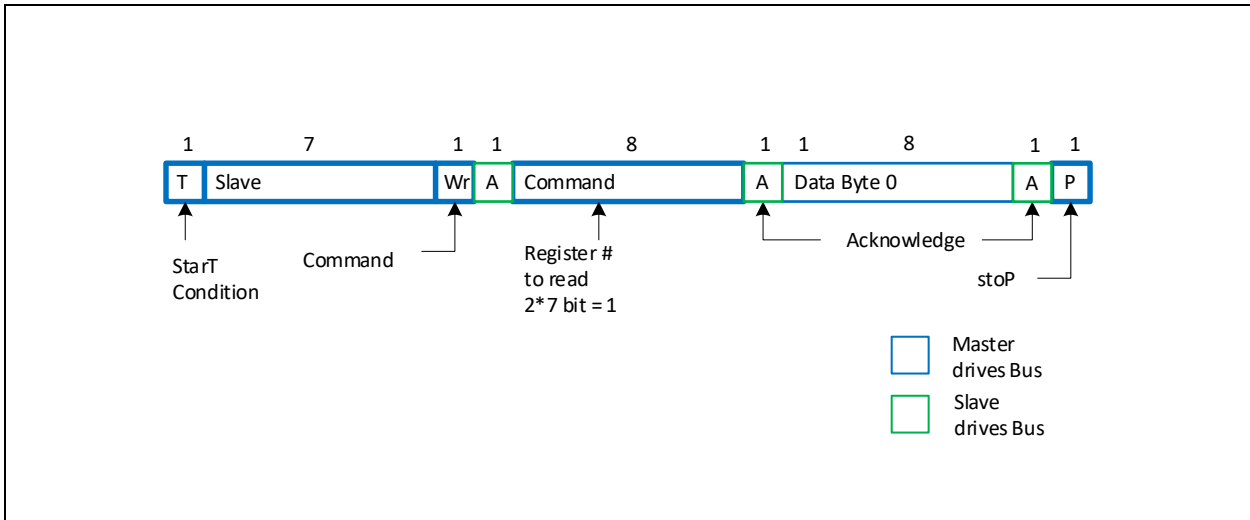


Figure 12. SMBus Byte Write

SMBus Block Read/Write

Read. After the slave address is sent with the r/w condition bit set, the command byte is sent with the MSB = 0. The slave Ack's the register index in the command byte. The master sends a repeat start function. After the slave Ack's this the slave sends the number of bytes it wants to transfer (>0 and <33). The master Ack's each byte except the last and sends a stop function.

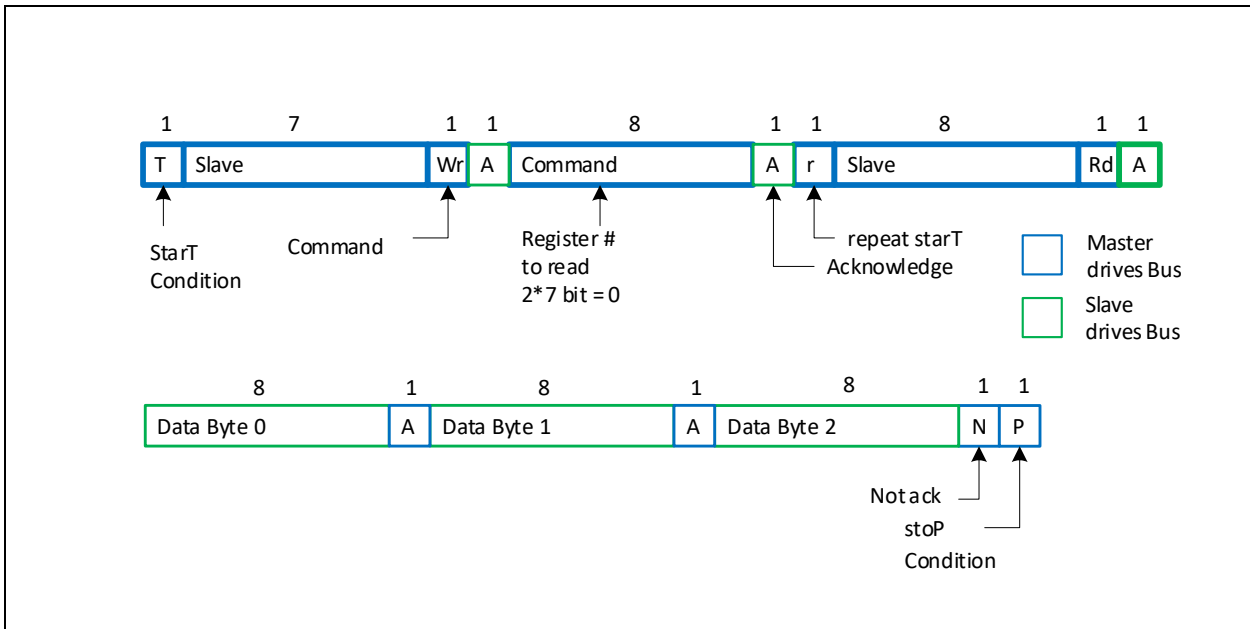


Figure 13. SMBus Block Read

Write. After the slave address is sent with the r/w condition bit not set, the command byte is sent with the MSB = 0. The lower seven bits indicate what register to start the transfer at. If the command byte is 00h, the slave device will be compatible with existing block mode slave devices. The next byte of a write must be the count of bytes that the master will transfer to the slave device. The byte count must be greater than zero and less than 33. Following this byte are the data bytes to be transferred to the slave device. The slave device always acknowledges each byte received. The transfer is terminated after the slave sends the Ack and the master sends a stop function.

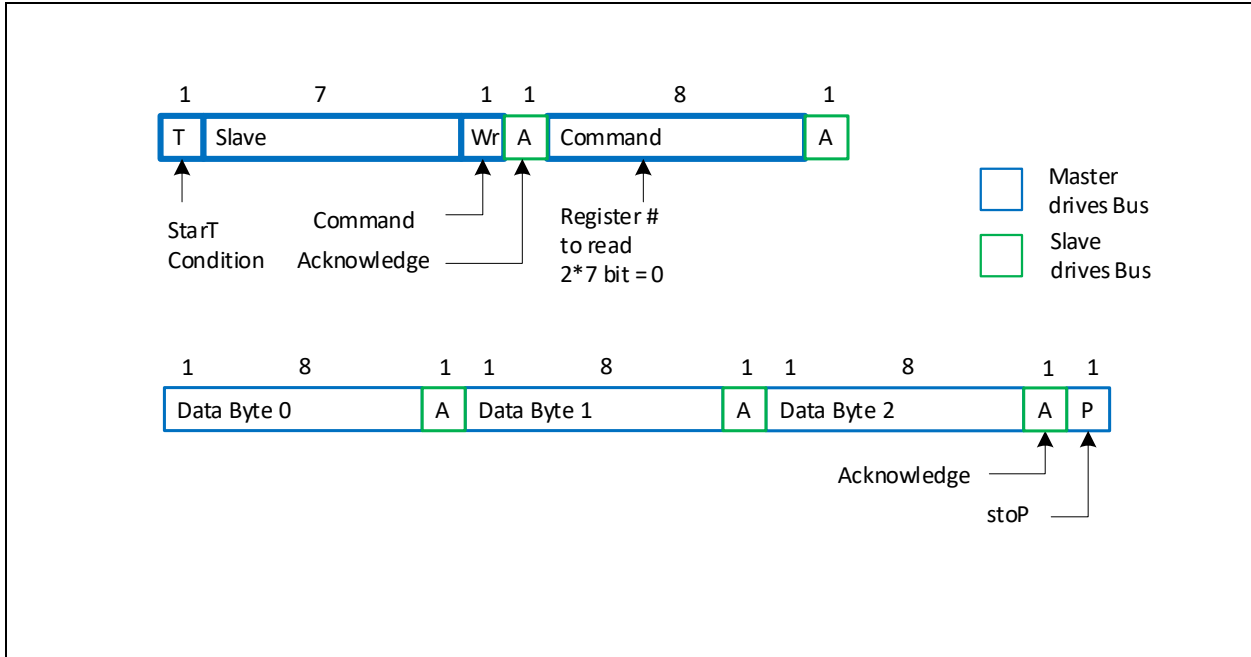


Figure 14. SMBus Block Write

Side-Band Interface

Besides OE pins and SMBUS interface the device outputs can be enabled/disabled via a simple 3-wire serial interface referred to as the Side-Band Interface (SBI).

This interface consists of the vDATA, vCLK and vSHFT_LD# pins. When the vSHFT_LD# pin is high, the rising edge of vCLK can shift vDATA into the shift register. After shifting data, the falling edge of vSHFT_LD# clocks the shift register contents to the Output register.

Both the SBI and the traditional interface feed common output enable/disable synchronization logic ensuring glitch free enable and disable outputs, regardless of the method used.

Both interfaces are not active at the same time, and the SBEN pin selects which interface is active. Tying the SBEN high enables the SBI. Tying the SBEN pin low enables the traditional OE# pin/SMBus output-enable interface.

When the SBI is enabled, OE[7:9, 11,12]# are disabled and vDATA, vCLK and vSHFT_LD# are enabled on vOE5#, vOE6# and vOE10# respectively. Additionally, SMBus registers for masking off the disable function of the shift register (0 value of a bit) become active.

When set to 1, the mask register forces its respective output to 'enabled'. This prevents accidentally disabling critical outputs when using the SBI.

A SMBus read-back bit in Byte 4 indicates which output-enable control interface is enabled.

When the SBI is enabled and power has been applied, the SBI is active, even if the PWRGD/PWRDN# pin indicates the part is in powerdown. This allows loading the shift register and transferring the contents to the output register before the assertion of PWRGD.

Note that the mask registers are part of the normal SMBus interface and cannot be accessed when the PWRGD/PWRDN# is low. Figure 15 provides a functional description of the SBI.

The SBI and the traditional SMBus output-enable registers both default to the 'output enabled' state at power-up. The mask registers default to zero at power-up, allowing the shift register bits to disable their respective output.

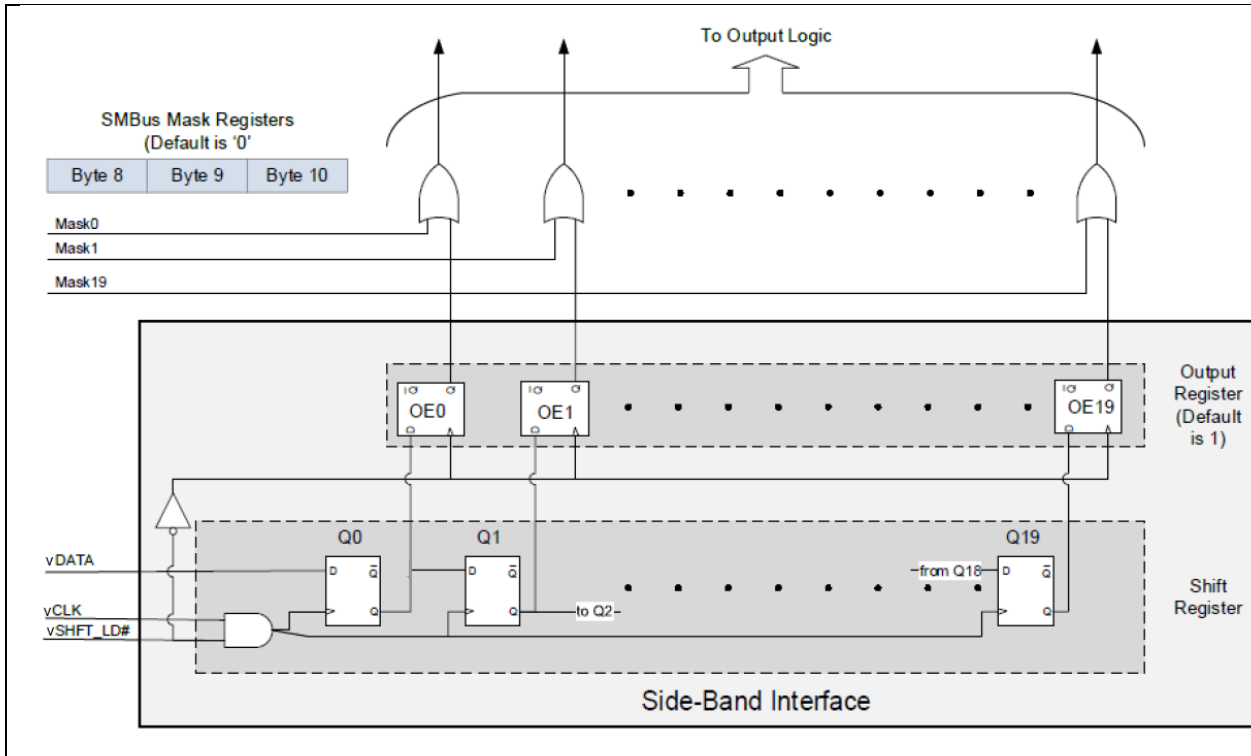


Figure 15. Side-Band Interface Control Logic – Functional Description

Figure 16 shows the basic timing of the side-band interface. The vSHFT_LD# pin goes high to enable the CLK input. Next, the rising edge of CLK clocks enable vDATA into the shift register. After the 20th clock cycle for output 19, it stops the clock low and drive the vSHFT_LD# pin low. The falling edge of vSHFT_LD# clocks the shift register contents to the output register, enabling or disabling the outputs. It always shifts 20 bits of data into the shift register to control the outputs.

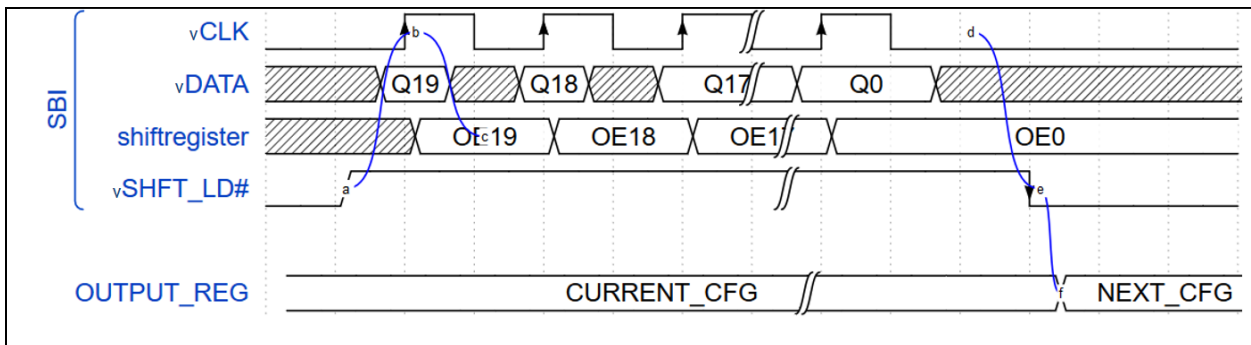


Figure 16. Side-Band Interface Functional Timing

The SBI supports clock rates up to 10 MHz. Multiple devices may share vCLK and vDATA pins. Dedicating a vSHFT_LD# pin to each device allows its use as a chip-select pin. When the vSHFT_LD# pin is low, the ZL40292 device ignores any activity on the vCLK and vDATA pins.

Typical Jitter Performance

Following figure shows a typical phase noise for 100MHz clock frequency. The light blue curve is the phase noise of the input clock fed to the device and the dark blue is the phase noise of the output clock. The plot shows phase noise floor of -163dBc/Hz and an absolute jitter in 12kHz to 20MHz of 76fs. The additive jitter is calculated as:

$J_{ADD} = \sqrt{(J_{OUT}^2 - J_{IN}^2)}$ where J_{OUT} and J_{IN} are respectively output and input jitter in the band of interest. The additive jitter for 12kHz to 20MHz band is 58fs. The additive jitter in the bandpass filter specified by DB2000QL is 14fs.

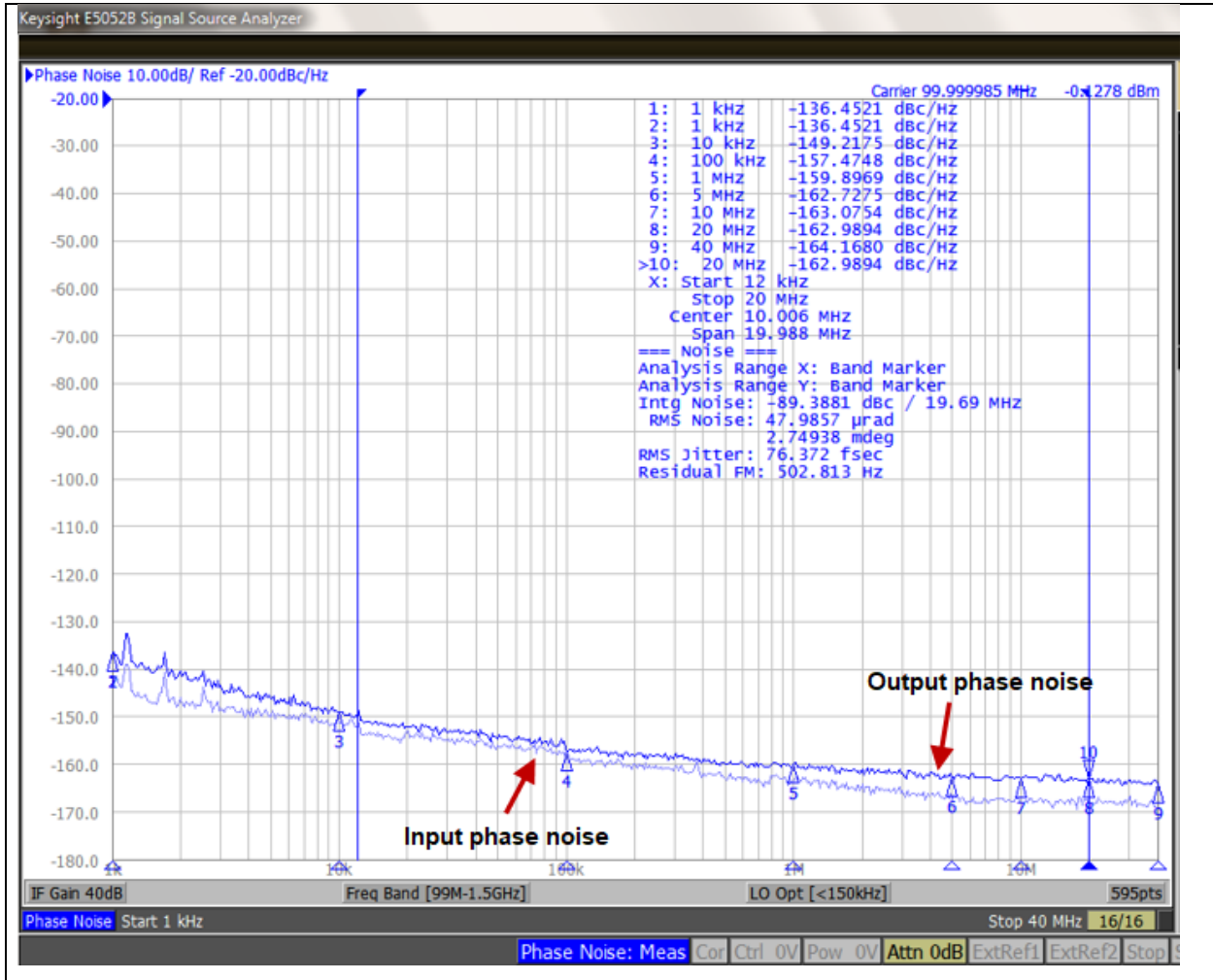


Figure 17. ZL40294 typical phase noise

Register Map

Table 5 Byte 0: Output Enable

Bit	Description	If Bit = 0	If Bit = 1	Type	Default	Output(s) Affected
0	Reserved				0	
1	Reserved				0	
2	Reserved				0	
3	Output Enable CK 16	LOW	Enable	RW	1	CK[16]
4	Output Enable CK 17	LOW	Enable	RW	1	CK[17]
5	Output Enable CK 18	LOW	Enable	RW	1	CK[18]
6	Output Enable CK 19	LOW	Enable	RW	1	CK[19]
7	Reserved				0	

Table 6 Byte 1: Output Enable Control Register

Bit	Description	If Bit = 0	If Bit = 1	Type	Default	Output(s) Affected
0	Output Enable CK 0	LOW	Enabled	RW	1	CK[0]
1	Output Enable CK 1	LOW	Enabled	RW	1	CK[1]
2	Output Enable CK 2	LOW	Enabled	RW	1	CK[2]
3	Output Enable CK 3	LOW	Enabled	RW	1	CK[3]
4	Output Enable CK 4	LOW	Enabled	RW	1	CK[4]
5	Output Enable CK 5	LOW	Enabled	RW	1	CK[5]
6	Output Enable CK 6	LOW	Enabled	RW	1	CK[6]
7	Output Enable CK 7	LOW	Enabled	RW	1	CK[7]

Table 7 Byte 2: Output Enable Control Register

Bit	Description	If Bit = 0	If Bit = 1	Type	Default	Output(s) Affected
0	Output Enable CK 8	LOW	Enabled	RW	1	CK[8]
1	Output Enable CK 9	LOW	Enabled	RW	1	CK[9]
2	Output Enable CK 10	LOW	Enabled	RW	1	CK[10]
3	Output Enable CK 11	LOW	Enabled	RW	1	CK[11]
4	Output Enable CK 12	LOW	Enabled	RW	1	CK[12]
5	Output Enable CK 13	LOW	Enabled	RW	1	CK[13]
6	Output Enable CK 14	LOW	Enabled	RW	1	CK[14]
7	Output Enable CK 15	LOW	Enabled	RW	1	CK[15]

Table 8 Byte 3: OE# Pin Realtime Readback Control Register

Bit	Description	If Bit = 0	If Bit = 1	Type	Default	Output(s) Affected
0	Realtime Readback of OE_5#	OE_5# Low	OE_5# High	R	Realtime	CK[5]
1	Realtime Readback of OE_6#	OE_6# Low	OE_6# High	R	Realtime	CK[6]
2	Realtime Readback of OE_7#	OE_7# Low	OE_7# High	R	Realtime	CK[7]
3	Realtime Readback of OE_8#	OE_8# Low	OE_8# High	R	Realtime	CK[8]
4	Realtime Readback of OE_9#	OE_9# Low	OE_9# High	R	Realtime	CK[9]
5	Realtime Readback of OE_10#	OE_10# Low	OE_10# High	R	Realtime	CK[10]
6	Realtime Readback of OE_11#	OE_11# Low	OE_11# High	R	Realtime	CK[11]
7	Realtime Readback of OE_12#	OE_12# Low	OE_12# High	R	Realtime	CK[12]

Table 9 Byte 4: Reserved Control Register

Bit	Description	If Bit = 0	If Bit = 1	Type	Default	Output(s) Affected
0	RB_SBEN	Pin Low	Pin High	Input	Real time	
1	Reserved				0	
2	Reserved				0	
3	Reserved				0	
4	Reserved				0	
5	Reserved				0	
6	Reserved				0	
7	Reserved				0	

Table 10 Byte 5: Vendor/Revision Identification Control Register

Bit	Description	If Bit = 0	If Bit = 1	Type	Default	Output(s) Affected
0	Vendor ID Bit 0			R	1	
1	Vendor ID Bit 1			R	1	
2	Vendor ID Bit 2			R	0	
3	Vendor ID Bit 3			R	0	
4	Revision Code Bit 0			R	1	
5	Revision Code Bit 1			R	1	
6	Revision Code Bit 2			R	0	
7	Revision Code Bit 3			R	0	

Table 11 Byte 6: Device ID Control Register

Bit	Description	If Bit = 0	If Bit = 1	Type	Default	Output(s) Affected
0	Device ID 0			R	0	
1	Device ID 1			R	1	
2	Device ID 2			R	1	
3	Device ID 3			R	1	
4	Device ID 4			R	1	
5	Device ID 5			R	0	
6	Device ID 6			R	1	
7	Device ID 7 (MSB)			R	0	

Table 12 Byte 7: Byte Count Register

Bit	Description	If Bit = 0	If Bit = 1	Type	Default	Output(s) Affected
0	BC0 - Writing to this register configures how many bytes will be read back			RW	0	
1	BC1 - Writing to this register configures how many bytes will be read back			RW	0	
2	BC2 - Writing to this register configures how many bytes will be read back			RW	0	
3	BC2 - Writing to this register configures how many bytes will be read back			RW	1	
4	BC3 - Writing to this register configures how many bytes will be read back			RW	0	
5	BC4 - Writing to this register configures how many bytes will be read back			RW	0	
6	Reserved				0	
7	Reserved				0	

Table 13 Byte 8: SBI Mask – Functional only when SBEN=1

Bit	Description	If Bit = 0	If Bit = 1	Type	Default	Output(s) Affected
0	Mask0 - Masks off Side Band Disable	Side Band shift register may disable the output	Forces output to always be enabled regardless of Side Band shift register value	RW	0	CK[0]
1	Mask1 - Masks off Side Band Disable			RW	0	CK[1]
2	Mask2 - Masks off Side Band Disable			RW	0	CK[2]
3	Mask3 - Masks off Side Band Disable			RW	0	CK[3]
4	Mask4 - Masks off Side Band Disable			RW	0	CK[4]
5	Mask5 - Masks off Side Band Disable			RW	0	CK[5]
6	Mask6 - Masks off Side Band Disable			RW	0	CK[6]
7	Mask7 - Masks off Side Band Disable			RW	0	CK[7]

Table 14 Byte 9: SBI Mask – Functional only when SBEN=1

Bit	Description	If Bit = 0	If Bit = 1	Type	Default	Output(s) Affected
0	Mask8 - Masks off Side Band Disable	Side Band shift register may disable the output	Forces output to always be enabled regardless of Side Band shift register value	RW	0	CK[8]
1	Mask9 - Masks off Side Band Disable			RW	0	CK[9]
2	Mask10 - Masks off Side Band Disable			RW	0	CK[10]
3	Mask11 - Masks off Side Band Disable			RW	0	CK[11]
4	Mask12 - Masks off Side Band Disable			RW	0	CK[12]
5	Mask13 - Masks off Side Band Disable			RW	0	CK[13]
6	Mask14 - Masks off Side Band Disable			RW	0	CK[14]
7	Mask15 - Masks off Side Band Disable			RW	0	CK[15]

Table 15 Byte 10: SBI Mask – Functional only when SBEN=1

Bit	Description	If Bit = 0	If Bit = 1	Type	Default	Output(s) Affected
0	Mask16 - Masks off Side Band Disable	Side Band shift register may disable the output	Forces output to always be enabled regardless of Side Band shift register value	RW	0	CK[16]
1	Mask17 - Masks off Side Band Disable			RW	0	CK[17]
2	Mask18 - Masks off Side Band Disable			RW	0	CK[18]
3	Mask19 - Masks off Side Band Disable			RW	0	CK[19]
4	Reserved			RW	0	
5	Reserved			RW	0	
6	Reserved			RW	0	
7	Reserved			RW	0	

AC and DC Electrical Characteristics

Absolute Maximum Ratings

Table 16 Absolute Maximum Ratings*

	Parameter	Sym.	Min.	Max.	Units	Notes
1	3.3 V Core Supply Voltage	$V_{DD,A}$	-	4.6	V	3
2	3.3 V I/O Supply Voltage	V_{DD}	-	4.6	V	3
5	3.3 V Input High Voltage	V_{IH}	-	4.6	V	1, 3
	3.3 V Input Low Voltage	V_{IL}	-0.5	-	V	3
	Storage Temperature	T_S	-65	150	°C	3
6	Input ESD protection	V_{DD-IN}	2000		V	2

* Exceeding these values may cause permanent damage

* Functional operation under these conditions is not implied

* Voltages are with respect to ground (GND) unless otherwise stated

1. Maximum V_{IH} is not to exceed maximum V_{DD} .
2. Human body model.
3. Consult manufacturer regarding extended operation in excess of normal DC operating parameters.

DC Electrical Specification

Table 17 DC Operating Characteristics*

	Parameter	Sym.	Min.	Typ.	Max.	Units	Notes
1	3.3 V Core Supply Voltage	V _{DD,A}	3.135	3.3	3.465	V	
2	3.3 V I/O Supply Voltage	V _{DD}	3.135	3.3	3.465	V	
3	3.3 V Input High Voltage	V _{IH}	2.0		V _{DD} +0.3	V	
4	3.3 V Input Low Voltage	V _{IL}	V _{SS} -0.3		0.8	V	
5	Input Leakage Current	I _{IL}	-5		+5	μA	
6	Input Low Voltage, 3-level CMOS Input	V _{IL3}	V _{SS} -0.3		0.9	V	1
7	Input Midrange Voltage, 3-level CMOS Input	V _{IM3}	1.3		1.8	V	1
8	Input High Voltage, 3-level CMOS Input	V _{IH3}	2.4		V _{DD}	V	1
9	Input Capacitance	C _{IN}			4.5	pF	2
10	Output Capacitance	C _{OUT}			4.5	pF	2
11	Ambient Temperature	T _A	-40		85	°C	

* Voltages are with respect to ground (GND) unless otherwise stated

- 1 Spec assumption based on Intel DB1900Z specification revision 1.5 Table 3-2. V_{IL3,min} changed from 0 to V_{SS}-0.3 to match DB2000QL V_{IL,min} spec.
- 2 For parasitic simulation use IBIS model.

Table 18 Differential DC Output Characteristics*

	Parameter	Sym.	Min.	Typ.	Max.	Units	Notes
1	Maximum Voltage (Overshoot)	V _{ovs}			V _{high} + 75	mV	1
2	Maximum Voltage (Undershoot)	V _{uds}			V _{low} - 75	mV	1
3	Voltage High	V _{high}	225		270	mV	1
4	Voltage Low	V _{low}	10		150	mV	1
5	Absolute Crossing Point Voltages	V _{cross absolute}	130		200	mV	1
6	Relative Crossing Point Voltages	V _{cross relative}			35	mV	1
7	Output Buffer Differential Impedance	DiffZ	85-5%		85+5%	Ω	2
8	Output Buffer Differential Impedance	DiffZCrossing	85-20%		85+20%	Ω	3

* Voltages are with respect to ground (GND) unless otherwise stated

- 1 Measured into DC test load, see Figure 18
- 2 Measured at V_{OL} / V_{OH}.
- 3 Measured during a transition

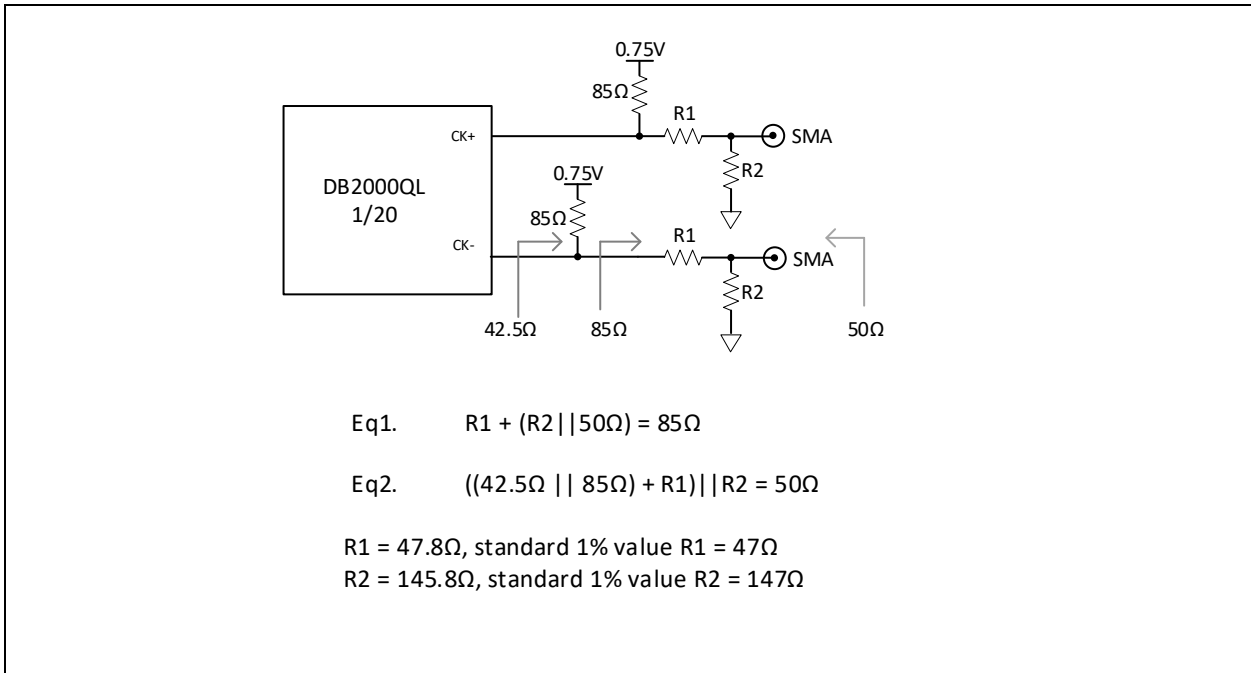


Figure 18. DC Test Load (as per DB2000QL)

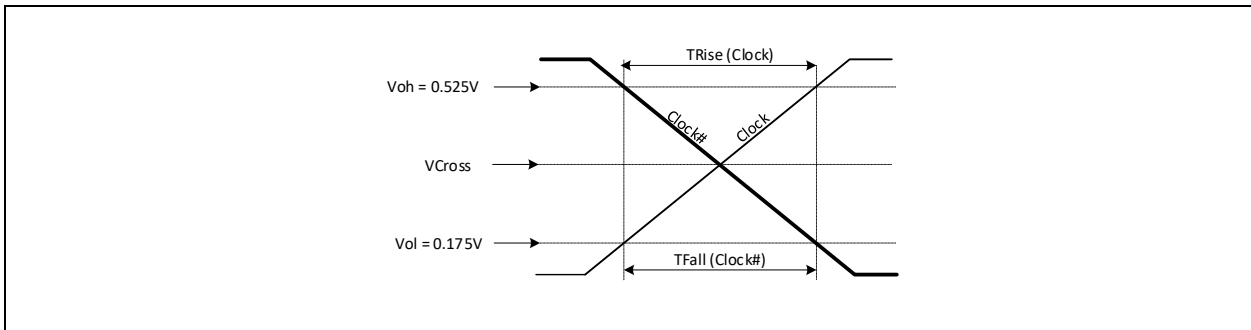


Figure 19. Single-Ended Measurement Points for TRise and TFall

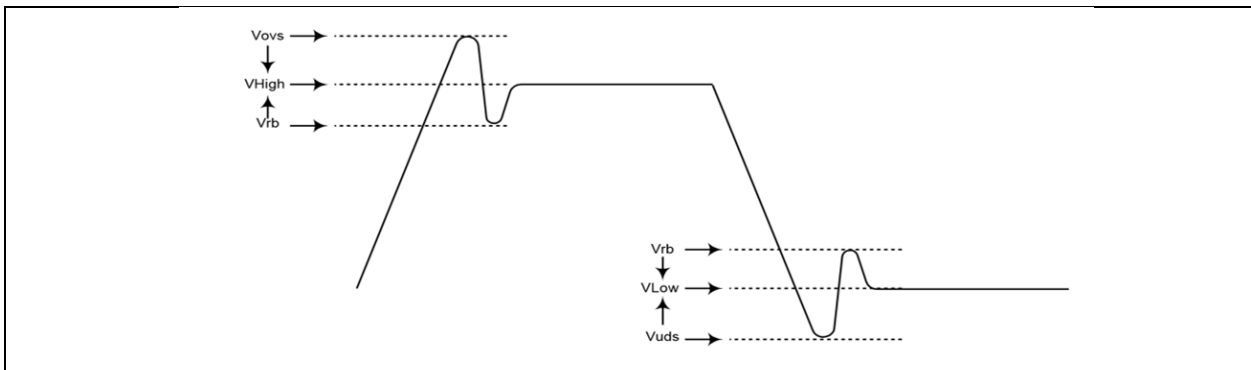


Figure 20. Single-Ended Measurement Points for Vovs, Vuds, Vrb

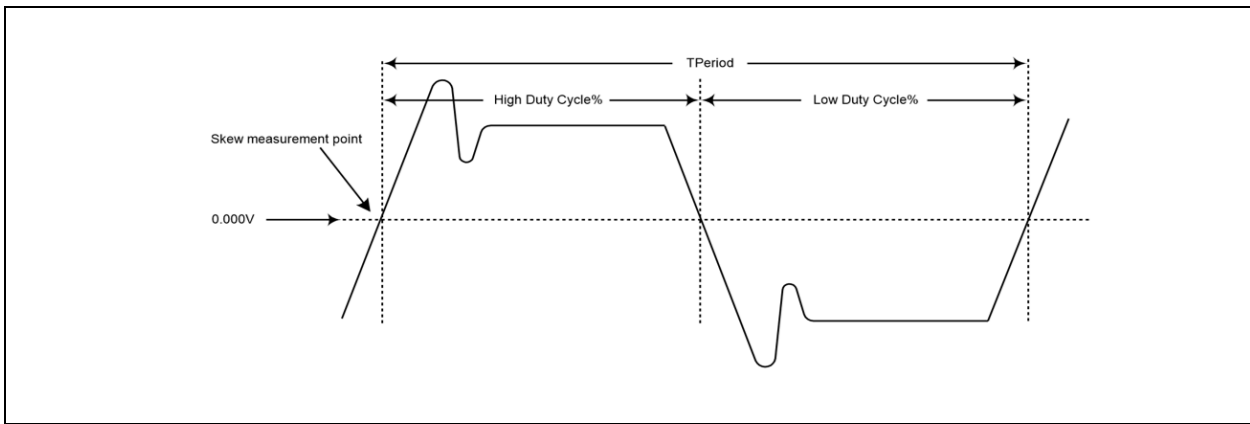


Figure 21. Differential (CK, CK#) Measurement Points

AC Electrical Specification

Table 19 Power Noise Tolerance*

	VDD Electrical Noise Range	Symbol	Min.	Typ.	Max	Units	Notes
1	$f_{NOISE} = 12\text{kHz to } 20\text{MHz}$	N_{VDD_MID}	100			mV,p-p	1,2
2	$f_{NOISE} > 20\text{MHz}$	N_{VDD_HIGH}	50			mV,p-p	1,2
3	$f_{NOISE} = 12\text{kHz to } 20\text{MHz}$	$N_{VDD_A_MID}$	40			mV,p-p	1,2
4	$f_{NOISE} > 20\text{MHz}$	$N_{VDD_A_HIGH}$	20			mV,p-p	1,2

* The device meets all specification in the presence of noise specified in this table

- 1 Jitter and electrical characteristics are met with specified AC noise present on any of the power pins.
- 2 Over the specified frequency range, a single sinusoid tone should be assumed swept as the worst case.

Table 20 Skew and Jitter

	Parameter	Symbol	Min.	Typ.	Max	Units	Notes
1	Input-to-Output Delay	I/O_{DELAY}	0.5		3	ns	1,3
2	Output-to-Output Skew	O/O_{DELAY}			50	ps	1,2
3	RMS Additive Jitter as per DB2000QL Spec	$A_{J_{RMS}}$		14	20	fs RMS	1,2,4
4	Peak-to-Peak Additive Jitter	$p-pA_{J_{RMS}}$			1	ps	1,2
5	Additive Jitter as per PCIe 1.0 (1.5MHz to 22MHz)	$T_{jPCIe_1.0}$		0.73	0.90	fs RMS	1, 2
6	Additive Jitter as per PCIe 2.0 high band (1.5MHz to 50MHz)	$T_{jPCIe_2.0_high}$		82	100	fs RMS	1, 2
7	Additive Jitter as per PCIe 2.0 low band (10kHz to 1.5MHz)	$T_{jPCIe_2.0_low}$		20	30	fs RMS	1, 2
8	Additive Jitter as per PCIe 2.0 low band (5MHz to 16MHz)	$T_{jPCIe_2.0_mid}$		64	79	fs RMS	1, 2
9	Additive Jitter as per PCIe 3.0 (PLL_BW = 2 to 5MHz, CDR = 10MHz)	$T_{jPCIe_3.0}$		20	35	fs RMS	1, 2
10	Additive Jitter as per PCIe 4.0 (PLL_BW = 2 to 5MHz, CDR = 10MHz)	$T_{jPCIe_4.0}$		20	35	fs RMS	1, 2
11	Additive Jitter as per PCIe 5.0 (PLL_BW = 0.5 to 1.8MHz, CDR for 32 GT/s CC)	$T_{jPCIe_5.0}$		8	10	fs RMS	1, 2
12	Additive jitter as per Intel QPI 9.6Gbps	T_{jQPI}		29	36	fs RMS	1, 2
13	Additive RMS jitter in 1MHz to 20MHz band	T_{j1M_20M}		55	80	fs RMS	1, 2 (100MHz clock)
				42	60	fs RMS	1, 2 (133MHz clock)
14	Additive RMS jitter in 12kHz to 20MHz band	T_{j12k_20M}		58	83	fs RMS	1, 2 (100MHz clock)
				44	63	fs RMS	1, 2 (133MHz clock)
15	Noise floor	N_F		-163	-162	dBc/Hz	1, 2 (100MHz clock)
					-163	-162	dBc/Hz

1. Measured into AC test load as per Figure 22.
2. Measured from differential crossing point to differential crossing point.
3. Input-to-output specs refer to the timing between an input edge and the specific output edge created by it.
4. Integrated after the measurement filter. See Intel DB2000QL specification Jitter Measurement section for the measurement filter details.

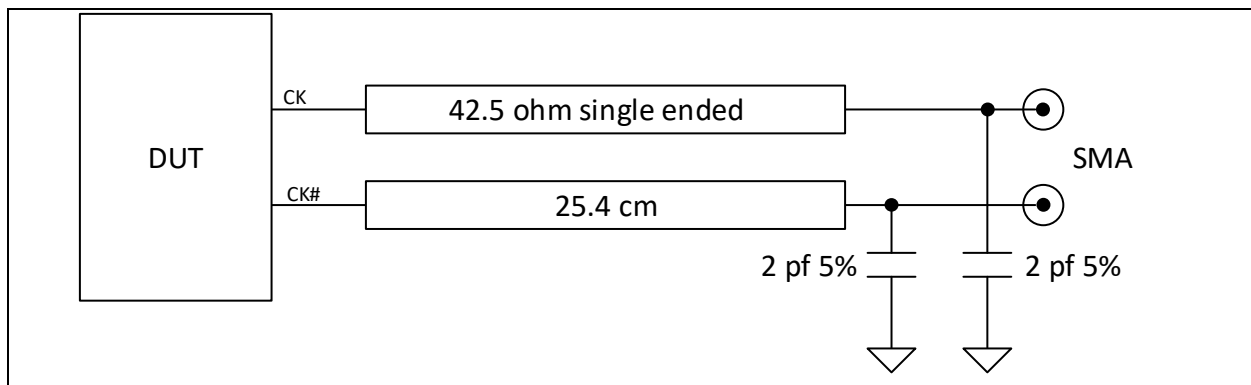


Figure 22. AC Test Load as per DB2000QL Specifications

Table 21 Differential Output Clock AC Characteristics

	Parameter	Symbol	Min.	Typ.	Max.	Units	Notes
1	Clock Stabilization Time from PWRGD	Tstab			1.8	ms	1
2	Edge_rate at Vcross	Edge_rate	2		20	V/ns	1
3	Slew rate at Vcross	Rise/Fall_Matching			20%	V	1

1. Measured into Figure 22 AC test load.

Table 22 Differential Input Clock AC Characteristics

	Parameter	Symbol	Min.	Typ.	Max.	Units	Notes
1	Edge_rate	Input_Slew_Rate	0.7			V/ns	
2	Total Variation of Vcross Over All Edges	Total_Δ_Vcross			140	mV	
3	Input Voltage	Input_Voltage	200			mv diff	

Table 23 Current Consumption

	Parameter	Parameter Condition	Symbol	Min.	Typ.	Max	Units	Notes
1	Active Mode Supply Current	f _{IN} = 100MHz All CKx/CKx# outputs enabled	I _{DDPG}		205	240	mA	1,2
2		f _{IN} = 100MHz All CKx/CKx# outputs disabled			48	55		1,3
3		f _{IN} = 133MHz All CKx/CKx# outputs enabled			257	308		1,2
4		f _{IN} = 133MHz All CKx/CKx# outputs disabled			49	56		1,3
5	Power Down Mode Supply Current	f _{IN} = 100MHz	I _{DDPD}		21	25	mA	1,4
6		f _{IN} = 133MHz			22	26		1,4

- VDD = 3.3V + 5%
- Device operating in active mode (Pin PWRGD/PWRDN# = 1) with all 20 CKx/CKx# outputs enabled (all OE_xN pin = 0, all OCR1, OCR2, OCR3 register OEx bits = 1)
- Device operating in active mode (Pin PWRGD/PWRDN# = 1) with all 20 CKx/CKx# outputs disabled (all OCR1, OCR2, OCR3 register OEx bits = 0)
- Device operating in low power mode (Pin PWRGD/PWRDN# = 0)

SMBus Electrical Characteristics

Table 24 SMBus Electrical Characteristics

	Parameter	Symbol	Min.	Typ.	Max	Units	Notes
1	Nominal Bus Voltage	V_{DD_SMB}	2.7		5.5	V	1
2	Input Low Voltage	V_{IL}			0.8	V	
3	Input High Voltage	V_{IH}	2.1		V_{DD_SMB}	V	
4	Output Low Voltage	V_{OL}			0.4	V	At I_{PULLUP_MAX}
5	Input Leakage Current	I_{LEAK}			± 10	μA	
6	Current sinking at V_{OL_max}	I_{PULLUP}	4			mA	
7	Pin capacitive load	C_I			10	pF	
8	Signal noise immunity from 10MHz to 100MHz	V_{NOISE}	300			mV _{p-p}	
9	Noise spike suppression time	T_{SPIKE}	0		50	ns	3
10	SMBus Operating Frequency	F_{SMB}	10		400	kHz	
11	Bus free time between Stop and Start Condition	T_{BUF}	4.7			μs	
12	Hold time after (Repeated) Start Condition. After this period, the first clock is generated.	T_{HD_STA}	4.0			μs	
13	Repeated Start Condition setup time	T_{SU_STA}	4.7			μs	
14	Stop Condition setup time	T_{SU_STO}	4.0			μs	
15	Data hold time	T_{HD_DAT}	300			ns	
16	Data setup time	T_{SU_DAT}	250			ns	
17	Clock low period	T_{LOW}	4.7			μs	
18	Clock high period	T_{HIGH}	4.0		50	μs	
19	Clock/Data Fall Time	T_F			300	ns	2
20	Clock/Data Rise Time	T_R			1000	ns	2

1. 3V to 5V $\pm 10\%$
2. Rise and fall time is defined as follows:
 $T_R = (V_{IL_MAX} - 0.15) \text{ to } (V_{IH_MIN} + 0.15)$
 $T_F = (V_{IH_MIN} + 0.15) \text{ to } (V_{IL_MAX} - 0.15)$
3. Devices must provide a means to reject noise spikes of a duration up to the maximum specified value.

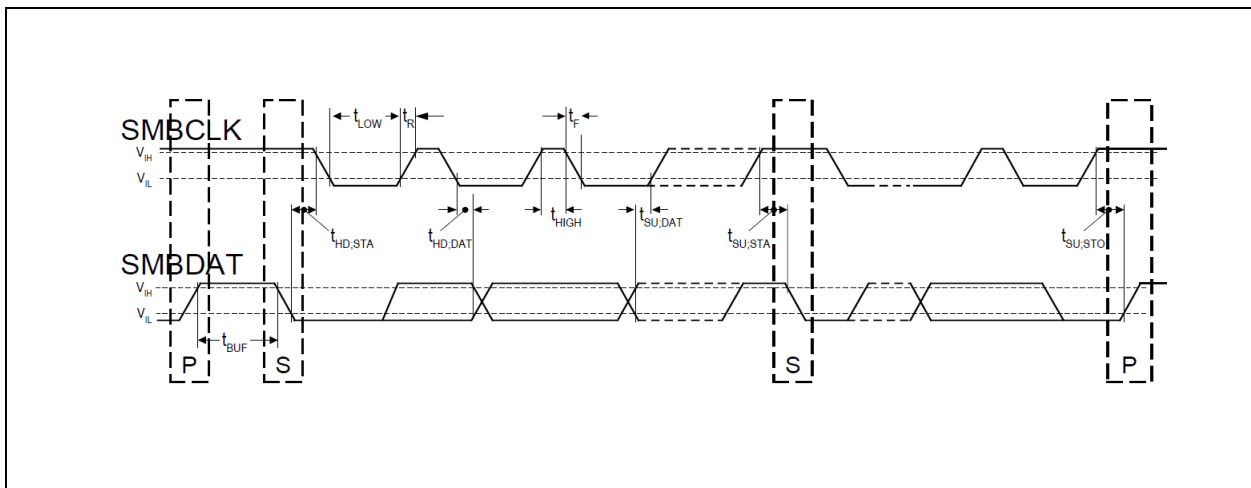


Figure 23. SMBus Timing

Side-Band Interface Characteristics

Table 25 Side-Band Interface

	Parameter	Symbol	Min.	Typ.	Max	Units	Notes
1	Clock Period	t_{PERIOD}	100			ns	
2	vSHFT_LD# setup to vCLK rising edge	t_{SETUP}	25			ns	
3	vDATA setup to vCLK rising edge	t_{DSU}	10			ns	
4	vDATA hold after vCLK rising edge	t_{DSHOLD}	5			ns	
5	Delay from vCLK rising edge to vSHFT_LD# falling edge	t_{DELAY}	25			ns	
6	Delay from vSHFT_LD# falling edge to next output configuration taking effect	t_{PD}	4		10	clocks	1
7	Slew Rate	t_{SLEW}			0	V/ns	

1. Refers to device differential input clock.

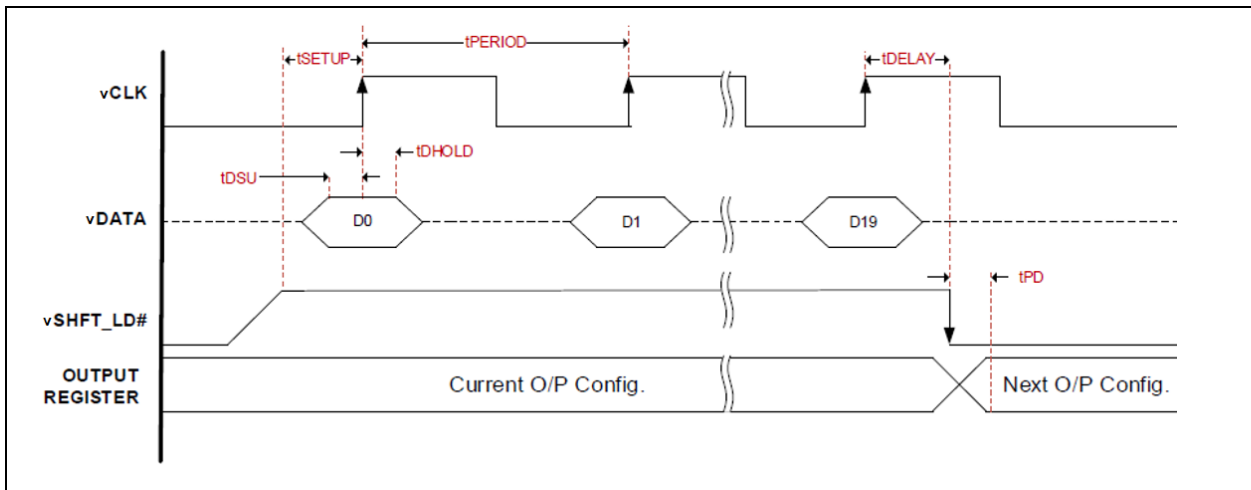


Figure 24. Side-Band Interface timing

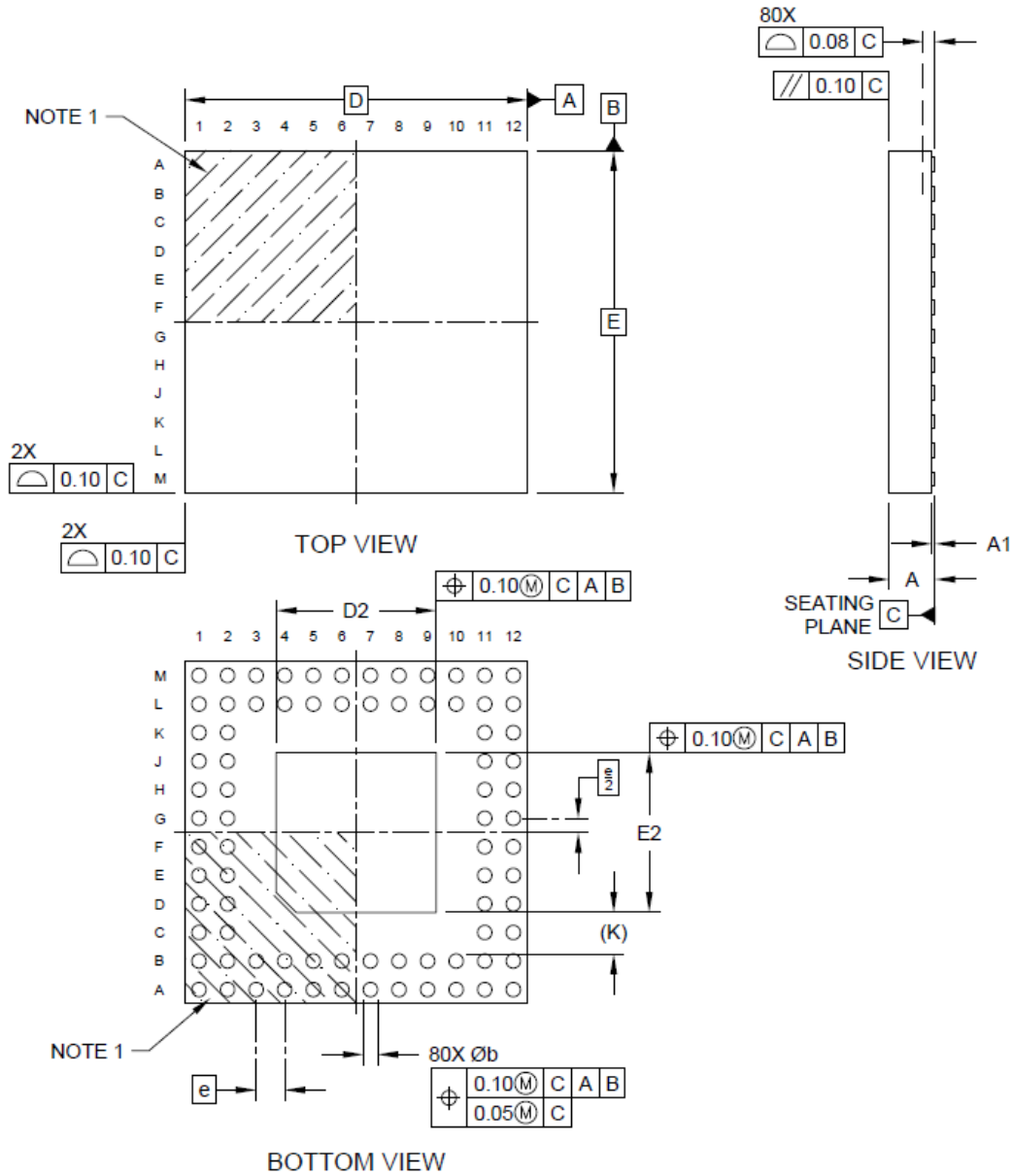
Table 26 6x6mm GQFN Package Thermal Properties

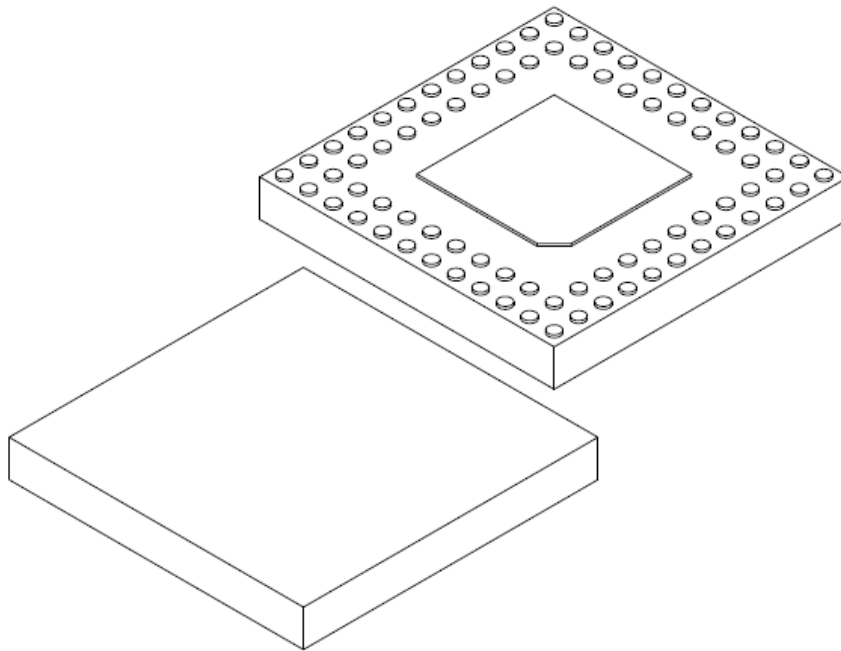
Parameter	Symbol	Conditions	Value	Units
Maximum Ambient Temperature	T_A		85	°C
Maximum Junction Temperature	T_{JMAX}		125	°C
Junction to Ambient Thermal Resistance ⁽¹⁾ (Note 1)	θ_{JA}	still air	32.42	°C/W
		1m/s airflow	27.67	
		2.5m/s airflow	26.33	
Junction to Board Thermal Resistance	θ_{JB}		12.48	°C/W
Junction to Case Thermal Resistance	θ_{JC}		21.33	°C/W
Junction to Pad Thermal Resistance ⁽²⁾	θ_{JP}	Still air	1.83	°C/W
Junction to Top-Center Thermal Characterization Parameter	ψ_{JT}	Still air	0.25	°C/W

- (1) Theta-JA (θ_{JA}) is the thermal resistance from junction to ambient when the package is mounted on a 4-layer JEDEC standard test board and dissipating maximum power
- (2) Theta-JP (θ_{JP}) is the thermal resistance from junction to the center exposed pad on the bottom of the package)

Package Outline

Note: For the most current package drawings, please see the Microchip Packaging Specification located at <http://www.microchip.com/packaging>

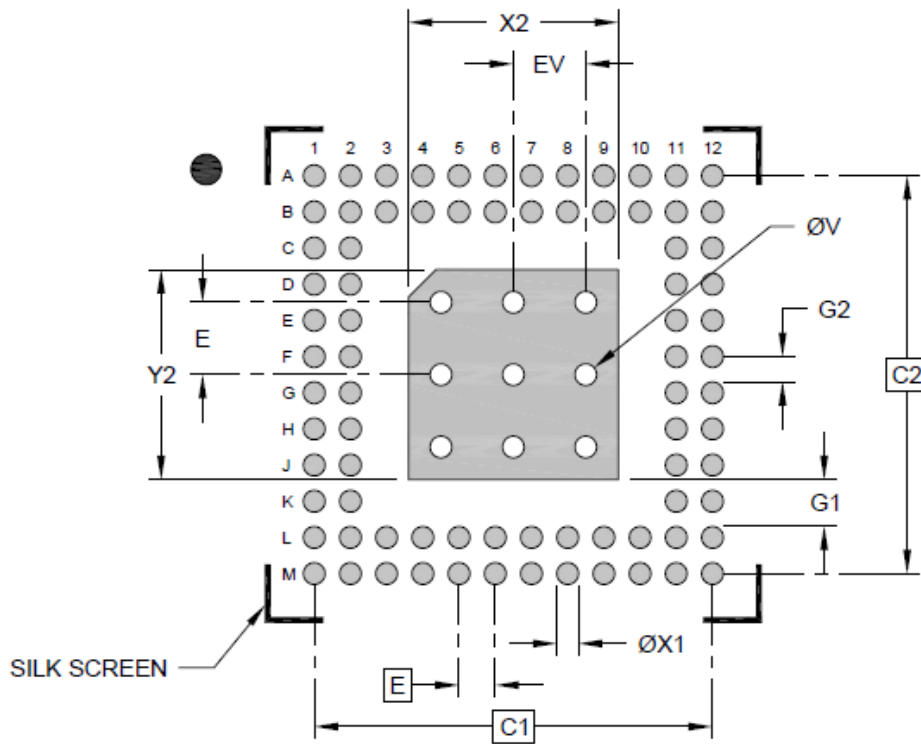




Dimension Limits	Units	MILLIMETERS		
		MIN	NOM	MAX
Number of Terminals	N	80		
Pitch	e	0.50 BSC		
Overall Height	A	0.70	0.75	0.80
Standoff	A1	0.00	0.02	0.05
Overall Length	D	6.00 BSC		
Exposed Pad Length	D2	2.70	2.80	2.90
Overall Width	E	6.00 BSC		
Exposed Pad Width	E2	2.70	2.80	2.90
Terminal Width	b	0.20	0.25	0.30
Terminal-to-Exposed-Pad	K	0.725 REF		

Notes:

1. Pin 1 visual index feature may vary, but must be located within the hatched area.
 2. Package is saw singulated
 3. Package Type WGQFN is not registered with JEDEC as of April, 2019
- Dimensioning and tolerancing per ASME Y14.5M
 BSC: Basic Dimension. Theoretically exact value shown without tolerances.
 REF: Reference Dimension, usually without tolerance, for information purposes only.



RECOMMENDED LAND PATTERN

Dimension Limits	Units	MILLIMETERS		
		MIN	NOM	MAX
Contact Pitch	E	0.50 BSC		
Optional Center Pad Width	X2			2.90
Optional Center Pad Length	Y2			2.90
Contact Pad Spacing	C1	5.50 BSC		
Contact Pad Spacing	C2	5.50 BSC		
Contact Pad Diameter (X80)	X1			0.30
Contact Pad to Center Pad (X32)	G1	0.65		
Contact Pad to Contact Pad	G2	0.20		
Thermal Via Diameter	V		0.30	
Thermal Via Pitch	EV		1.00	

Notes:

1. Dimensioning and tolerancing per ASME Y14.5M
BSC: Basic Dimension. Theoretically exact value shown without tolerances.
2. For best soldering results, thermal vias, if used, should be filled or tented to avoid solder loss during reflow process

Change History

- November 2019: Initial Release of ZL40294 Datasheet
- January 2020:
 - Added a typical phase noise plot (Figure 17).
 - Corrected bit order in Figure 16 (most significant bit first).
 - Corrected values in rows 13-15 in Table 20.



Microsemi Corporate Headquarters

One Enterprise, Aliso Viejo,
CA 92656 USA

Within the USA: +1 (800) 713-4113

Outside the USA: +1 (949) 380-6100

Sales: +1 (949) 380-6136

Fax: +1 (949) 215-4996

E-mail: sales.support@microsemi.com

© 2019 Microsemi Corporation. All rights reserved. Microsemi and the Microsemi logo are trademarks of Microsemi Corporation. All other trademarks and service marks are the property of their respective owners.

Microsemi Corporation, a wholly owned subsidiary Microchip Technology Inc. (Nasdaq: MCHP), offers a comprehensive portfolio of semiconductor and system solutions for communications, defense & security, aerospace and industrial markets. Products include high-performance and radiation-hardened analog mixed-signal integrated circuits, FPGAs, SoCs and ASICs; power management products; timing and synchronization devices and precise time solutions, setting the world's standard for time; voice processing devices; RF solutions; discrete components; enterprise storage and communication solutions, security technologies and scalable anti-tamper products; Ethernet solutions; Power-over-Ethernet ICs and midspans; as well as custom design capabilities and services. Microsemi is headquartered in Aliso Viejo, California. Learn more at www.microsemi.com.

Microsemi makes no warranty, representation, or guarantee regarding the information contained herein or the suitability of its products and services for any particular purpose, nor does Microsemi assume any liability whatsoever arising out of the application or use of any product or circuit. The products sold hereunder and any other products sold by Microsemi have been subject to limited testing and should not be used in conjunction with mission-critical equipment or applications. Any performance specifications are believed to be reliable but are not verified, and Buyer must conduct and complete all performance and other testing of the products, alone and together with, or installed in, any end-products. Buyer shall not rely on any data and performance specifications or parameters provided by Microsemi. It is the Buyer's responsibility to independently determine suitability of any products and to test and verify the same. The information provided by Microsemi hereunder is provided "as is, where is" and with all faults, and the entire risk associated with such information is entirely with the Buyer. Microsemi does not grant, explicitly or implicitly, to any party any patent rights, licenses, or any other IP rights, whether with regard to such information itself or anything described by such information. Information provided in this document is proprietary to Microsemi, and Microsemi reserves the right to make any changes to the information in this document or to any products and services at any time without notice.