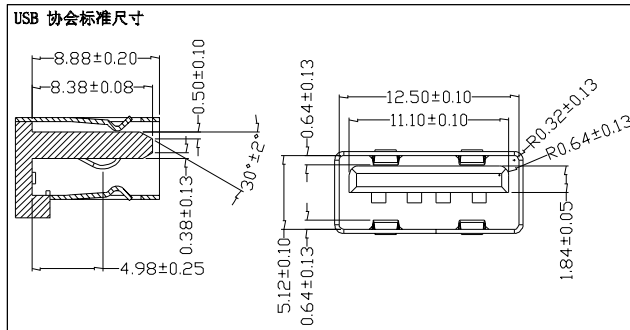


PCB LAYOUT



特性: Specifications:

电气: Electrical:

1. 接触阻抗: Contact Resistance: 30 milliohms MAX
2. 耐电压: Dielectric With Standing Voltage: 500 V AC AT Sea Level
3. 绝缘阻抗: Insulation Resistance: 1000 MEGA ohms MIN

机构: Mechanical:

1. 结合力: Mating Force: 35 N MAX 最大 35 N
2. 拔出力: Unmating Force: 8 N MIN 最小 8 N

材料: Material:

1. 塑胶: PBT.
2. 端子: Contact: C2680, T=0.25 ± 0.01
3. 外壳: Shell: SPCC, T=0.3 ± 0.01

电镀: Finish:

1. 端子: Contact: Plated Gold in Mating Area: Tin/Lead On Solder Talls. 接触点镀金1唛, 脚镀锡100唛
2. 外壳: Shell: Nickel Plating . 镀镍80唛

额定电流1.5A, 盐雾24H, 镀锡部分12H

—		new		2015/5/3	A	
ECN BO.		DESCRIPTION.		DATE.	REV.	
DESIGNED	CHECKED	APPROVAL	DRAWING NUMBER	SCALT: 1/2		SCALE: 3:1
Mikey	Tom	Jerry	PART NAME	U221-041N-1WR69-F1	UNLESS OTHERWISE SPECIFIED, TOLERANCE:	X ±0.25
			MODEL NAME	U221-041N-1WR69-F1		X.x ±0.20
			3RD ANGLE PROJ	HANYONES TECH CO.,LTD		X.xx ±0.15
						ANGULAR ±3'
						FILE. NO.