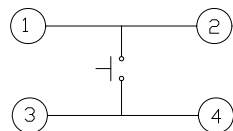
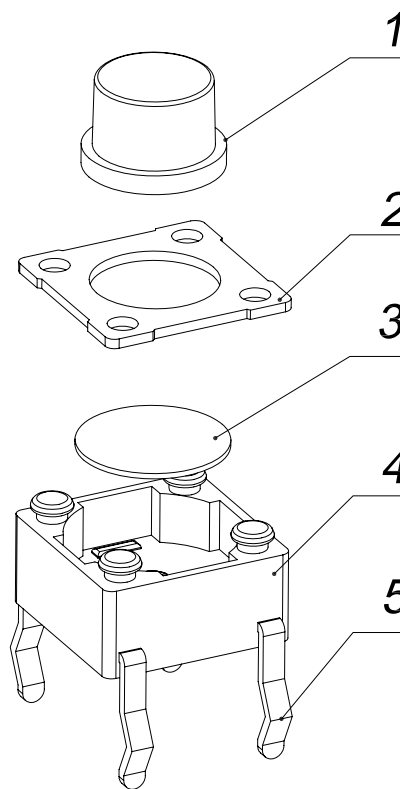


电路图  
SCHEMATIC



印制线路板开孔  
P.C.B. HOLE DETAIL



- 1.Rating:DC12V 50mA.
- 2.Travel:0.2±0.01mm.
- 3.Operating Force:260±20gf
- 4.Contact Resistance:50mΩMax.
- 5.Life:100,000 Cycles Min.

产品高度 (H)
4.3
5.0
6.0
⋮
26

		new		2015/5/3	A	
ECN BO.		DESCRIPTION.		DATE.	REV.	
DESIGNED	CHECKED	APPROVAL	DRAWING NUMBER	SCALT: 1/2		SCALE: 3:1
Mikey	Tom	Jerry	PART NAME	TC-110226010	UNLESS OTHERWISE SPECIFIED,TOLERANCE:	X.           ±0.25
			MODEL NAME	TC-110226010		X.x          ±0.20
			3RD ANGLE PROJ	HANYONES TECH CO.,LTD		X.xx         ±0.15
					ANGULAR	±3'
FILE NO.						