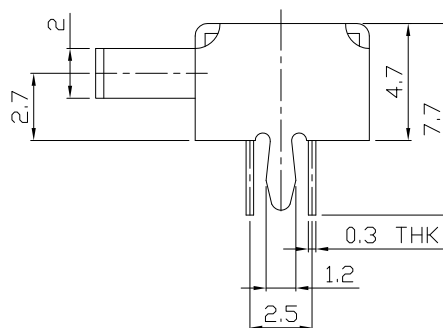
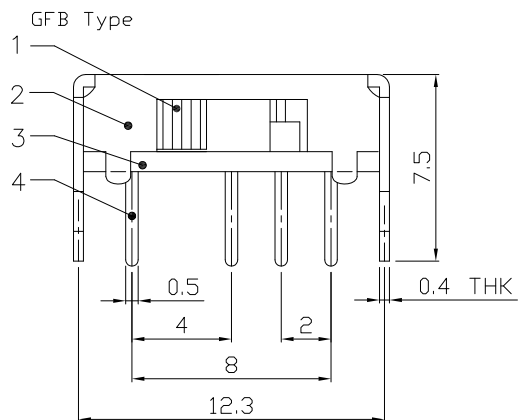
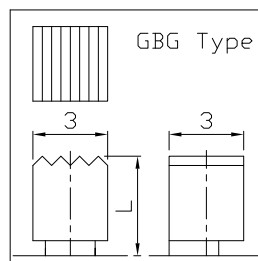
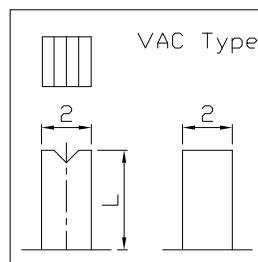
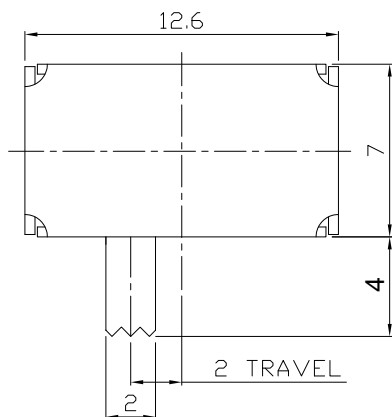




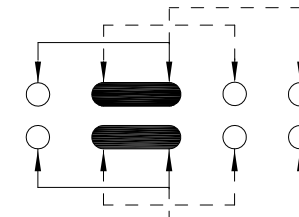
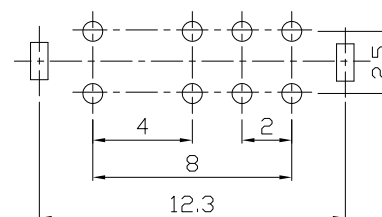
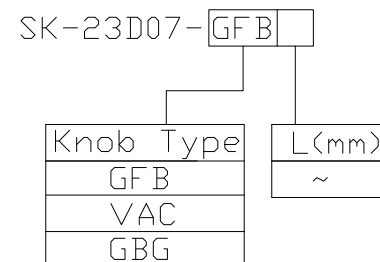
RoHS Compliant
2002/95/EC

REV.	ECN. NO.	APPD.

DIMENSIONS



MODEL CODE



P.C.B LAYOUT
BOTTOM VIEW

CIRCUIT DIAGRAM

ELECTRO-MECHANICAL CHARACTERISTICS

Refer to additional specifications

RATING	0.3A 50V DC
CIRCUIT	2P3T
CONTACT RESISTANCE	100mΩ MAX.
TIMING	SHORTING
TRAVEL	2mm
OPERATING FORCE	250±100gf
OPERATING LIFE(cycles)	10,000

—		new		2015/5/3	A	
ECN BO.		DESCRIPTION.		DATE.	REV.	
DESIGNED	CHECKED	APPROVAL	DRAWING NUMBER	SCALT: 1/2		SCALE: 3:1
Mikey	Tom	Jerry	PART NAME	SK-23D07VG4	UNLESS OTHERWISE SPECIFIED, TOLERANCE:	X ±0.25
			MODEL NAME	SK-23D07VG4		X.x ±0.20
			3RD ANGLE PROJ	HANYONES TECH CO.,LTD		X.xx ±0.15
					ANGULAR	±3'
						FILE. NO.