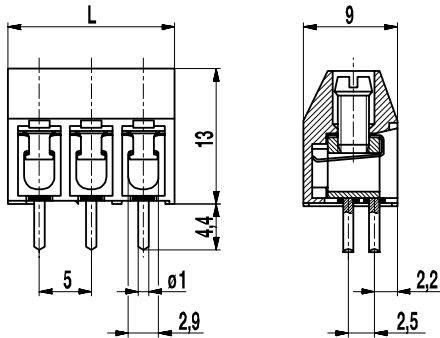
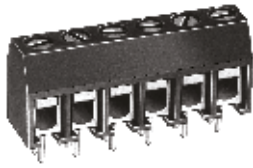


PCB connector

978-Y(-DS)

Screw connection, 2 P.C. pins per pole, large conductor space



Part Numbers

No. of poles	978-Y	978-Y-DS	Length	Pcs
2	30.872.802		11,00	250
4	30.872.804		21,00	200
5	30.872.805		26,00	100
6	30.872.806		31,00	100
7	30.872.807		36,00	100
8	30.872.808	39.872.808	41,00	100

further number of poles on request

General Information

Pitch	5 mm
No. of poles	2 - 32




Technical Data

Clamping Range	<i>solid / flexible / AWG</i>		
<i>without wire protector</i>	0,75 - 6 mm ² / 0,75 - 4 mm ² / 18 - 10 AWG		
<i>with wire protector</i>	0,34 - 6 mm ² / 0,34 - 4 mm ² / 22 - 10 AWG		
Rated Cross Section	2,5 mm ²		
Wire Stripping Length	6,5 mm ± 0,5 mm		
Overvoltage Category	III	III	II
Pollution Severity Level	3	2	2
Rated Voltage	250 V (200 V)	320 V	630 V (400 V)
Rated Impulse Voltage	4 kV	4 kV	4 kV
Rated Insulation Voltage	250 V acc. to EN 60998-1		
Rated Current	24 A		
Hole in PCB	ø 1,3 mm		
Torque	0,5 Nm		
Other specifications	Voltage data in brackets are valid for 9-32 poles types. 2-8 poles types are "no-flame" acc. to glow-wire test.		

Material

Moulding	PA, grey, V-0
Comparative Tracking Index	2-8 poles: CTI ≥ 600; 9-2 poles: CTI 400
Insulating Group	2-8 poles: I; 9-32 poles: II
Temperature Range	-40°C up to 100°C
Terminal body	Tin plated brass
Screw	M3; zinc plated steel, blue passivated
Solder pin	ø 1 mm; tin plated copper
Wire protector	Tin plated tin bronze

Approvals

	Current	Voltage	Group	AWG	Nm
	20	300	B	22-12 [1]	0,51
	10	300	D	22-12 [1]	0,51
	20	300	B	26 - 12	0,51
	10	300	D, E	26 - 12	0,51
	Current	Voltage	mm ²		
	24	400	2,5		

[1] Min No. 26 AWG for factory-wiring only

Options / Accessories

- Consecutive numbering
- Special marking according to drawing
- Self-adhesive marking strip BST-5,00
- Longer P.C. pins up to 95 mm
- Version with extended wire entrance
- Double wire protector as bridge
- With test holes, see 970-MP