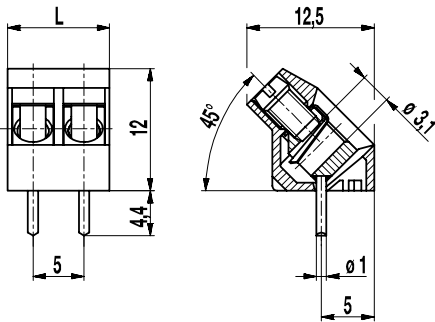


PCB connector

974(-DS)

Screw connection 45°-angle to PCB



The PCB connector 974, inclined version with a pitch of 5 mm is available with 2 to 26 poles.

The wire entrance is in a 45° angle diagonal to the PC board. Therefore, this PCB connector is ideal for the assembly in the center of PCBs. The design of this PCB connector allows space-saving arrangement of consecutive rows of terminals.

Wire protection in DS-design reliably prevents damage to stranded wires by the screw.

Part Numbers

No. of poles	974	974-DS	Length	Pcs
2	10.874.002	20.874.002	10,00	250
3	10.874.003	20.874.003	15,00	250
4	10.874.004	20.874.004	20,00	200
5	10.874.005	20.874.005	25,00	100
6	10.874.006	20.874.006	30,00	100
7	10.874.007	20.874.007	35,00	100
8	10.874.008	20.874.008	40,00	100
9	10.874.009	20.874.009	45,00	100
10	10.874.010	20.874.010	50,00	100
11	10.874.011	20.874.011	55,00	100
12	10.874.012	20.874.012	60,00	100
13	10.874.013	20.874.013	65,00	100
14	10.874.014	20.874.014	70,00	50
15	10.874.015	20.874.015	75,00	50
16	10.874.016	20.874.016	80,00	50
17	10.874.017	20.874.017	85,00	50
18	10.874.018	20.874.018	90,00	50
19	10.874.019	20.874.019	95,00	50
20	10.874.020	20.874.020	100,00	50
21	10.874.021	20.874.021	105,00	50
22	10.874.022	20.874.022	110,00	50
23	10.874.023	20.874.023	115,00	50
24	10.874.024	20.874.024	120,00	50
25	10.874.025	20.874.025	125,00	50
26	10.874.026	20.874.026	130,00	50

General Information

Pitch	5 mm
No. of poles	2 - 26




Technical Data

Clamping Range	<i>solid / flexible / AWG</i>		
<i>without wire protector</i>	1 - 6 mm ² / 1 - 2,5 mm ² / 16 - 12 AWG		
<i>with wire protector</i>	0,75 - 4 mm ² / 0,75 - 2,5 mm ² / 18 - 12 AWG		
Rated Cross Section	2,5 mm ²		
Wire Stripping Length	6,5 mm ± 0,5 mm		
Overvoltage Category	III	III	II
Pollution Severity Level	3	2	2
Rated Voltage	250 V	320 V	630 V
Rated Impulse Voltage	4 kV	4 kV	4 kV
Rated Insulation Voltage	250 V acc. to EN 60998-1		
Rated Current	24 A		
Hole in PCB	ø 1,3 mm		
Torque	0,5 Nm		

Material

Moulding	PA, grey, V-0
Comparative Tracking Index	CTI ≥ 600
Insulating Group	I
Temperature Range	-40°C up to 100°C
Terminal body	Tin plated brass
Screw	M3; zinc plated steel, clear passivated
Solder pin	ø 1 mm; tin plated copper
Wire protector	Tin plated tin bronze

Approvals

	Current	Voltage	Group	AWG	Nm
	20	300	B	22-12 [1]	0,51
	10	300	D	22-12 [1]	0,51
	20	300	B	26 - 12	0,51
	10	300	D, E	26 - 12	0,51
	Current	Voltage	mm ²		
	24	250	2,5		

[1] Min No. 26 AWG for factory-wiring only

Options / Accessories

- Consecutive numbering
- Special marking according to drawing
- Self-adhesive marking strip BST-5,00
- Longer P.C. pins up to 95 mm
- Special wire protector for very thin conductors
- Version with raised foot of 1,6 mm
- With base plate, see 974-BP
- With extended screw guide (974-C)