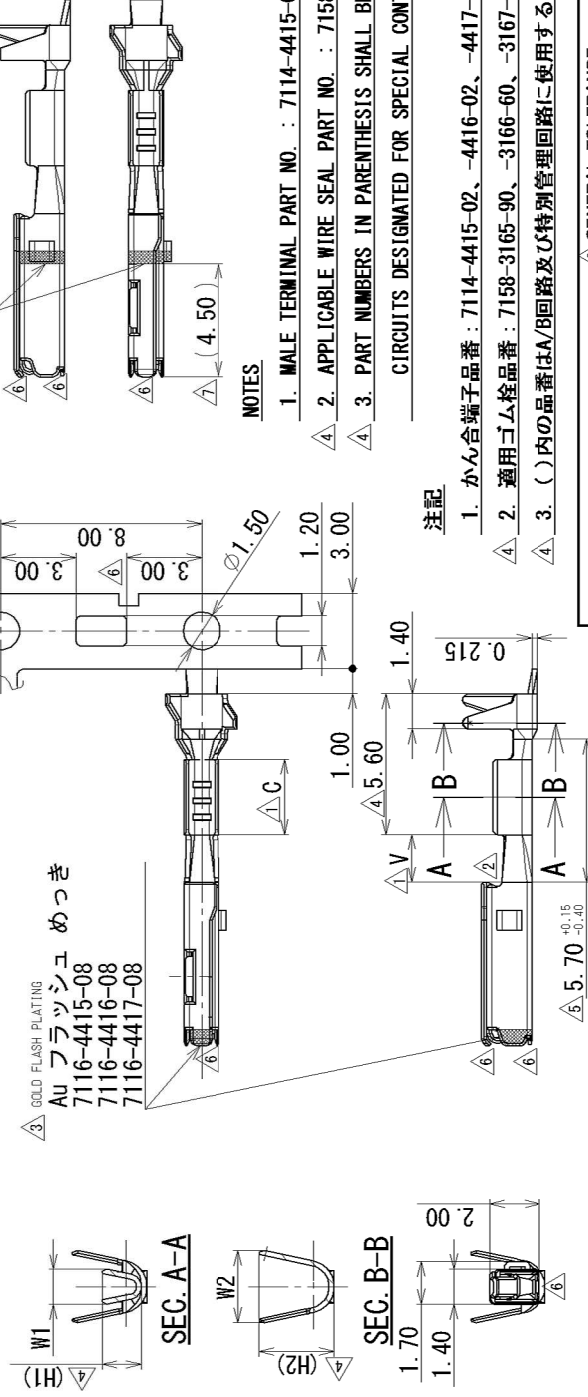


TABLE 1		TABLE 2		TABLE 3			
WIRE CRIMP SIZE	PART NO. AND CH. CODE	△ C	△ V	W1	△ H1	△ H2	△ APPLICABLE WIRE SIZE (INSULATION DIAMETER: φ0.91~φ1.90)
S	7116-4415-02, C ETC.	3.0	1.9	1.49	1.82	2.84	△ (JASO) 0.3 △ (ISO) 0.22~0.35
M	7116-4416-02, C △ (7B16-4416-02, G) ETC.	3.0	1.9	1.82	2.20	3.13	△ (JASO) 0.5 △ (ISO) 0.5
L	7116-4417-02, C △ SEE DWG ETC.	△ SEE DWG	1.65	△ 1.96	2.55	3.53	△ (JASO) 0.85 △ (ISO) 0.75

△ DETAIL OF CONDUCTOR BARREL

- △ (7116-4417-02)
- △ (7116-4417-08)
- △ (7116-4489-08)



NOTES

1. MALE TERMINAL PART NO. : 7114-4415-02, -4416-02, -4417-02
2. APPLICABLE WIRE SEAL PART NO. : 7158-3165-90, -3166-60, -3167-80, -3168-80, -3182-20
3. PART NUMBERS IN PARENTHESIS SHALL BE USED FOR AIR BAG(A/B) CIRCUITS AND OTHER CIRCUITS DESIGNATED FOR SPECIAL CONTROL.

注記

1. かん合端子品番 : 7114-4415-02, -4416-02, -4417-02
2. 適用ゴム栓品番 : 7158-3165-90, -3166-60, -3167-80, -3168-80, -3182-20
3. ()内の品番はA/B回路及び特別管理回路に使用すること。

DATE	REVISION RECORD	NO.	CHKD
2015/11/25	CHANGED DIMENSION	C15-Z542	S. P
2006/03/30	CHANGE FORM. ETC.	C06-Z314	S. K
2004/11/22	ADDED TOLERANCE	C04-ZF29	Y. I
2003/12/11	ADDED GOLD PLATING ETC.	C03-X787	H. Y
2002/09/23	ADDED PART NO. ETC.	C02-Y003	H. Y
2002/06/05	REVISED FORM. ETC.	C02-X502	T. Y
2001/10/30	CHANGED DIMENSION	C01-Y113	H. Y
2001/09/04	NEW	C01-X871	H. Y

LET	DATE	REVISION RECORD	NO.	CHKD			
A	±0.15	±0.2	±0.3	±0.5	±0.75	±30'	O. 1
B	±0.2	±0.3	±0.55	±0.95	±1.4	±30'	O. 1
C	±0.3	±0.5	±0.8	±1.4	±2	±30'	O. 15

GENERAL TOLERANCE		CUSTOMER PART NO.		CUSTOMER DWG NO.	
10 MAX	±0.15	50 MAX	±0.3	250 OVR	±0.75
A	±0.2	B	±0.3	C	±0.5
B	±0.3	C	±0.5	R5 MAX	±0.2
C	±0.5	R10 MAX	±0.3	R20 MAX	±0.5
		R25 OVR	±2.5	ANGLE	±3°
		ECCENT	±3°	ISSUE MARK	O. 15

GENERAL TOLERANCE		MATERIAL SPEC.		NAME	
10 MAX	±0.15	50 MAX	±0.3	250 OVR	±0.75
A	±0.2	B	±0.3	C	±0.5
B	±0.3	C	±0.5	R5 MAX	±0.2
C	±0.5	R10 MAX	±0.3	R20 MAX	±0.5
		R25 OVR	±2.5	ANGLE	±3°
		ECCENT	±3°	ISSUE MARK	O. 15