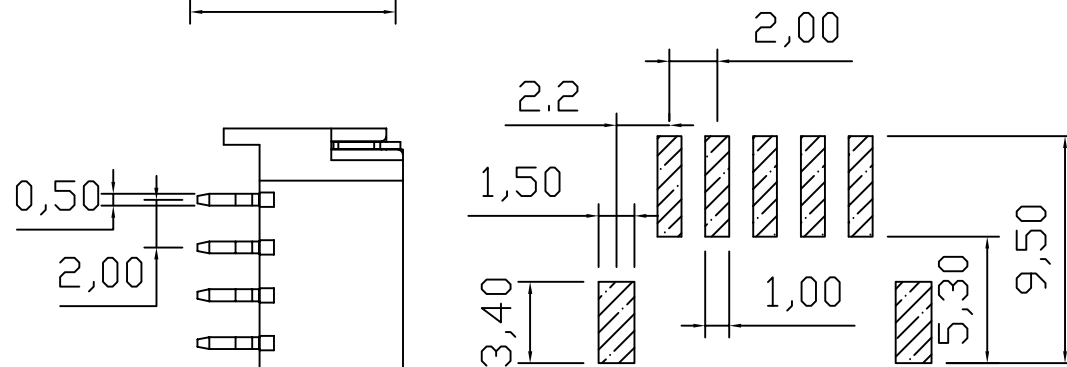
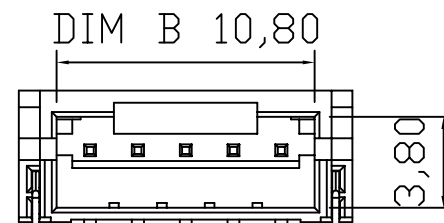
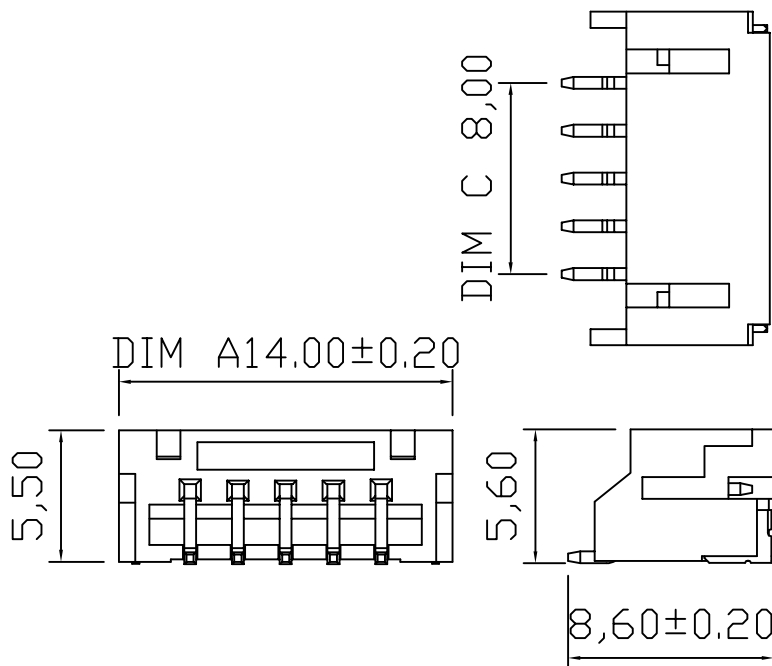


RoHS 2.0

REV.	ECN NO.	DESCRIPTION	DATE	DESIGN
A0.	/.	新版发行	2021.11.27	Willming

PIN	DIM A	DIM B	DIM C
2P	8.00	4.80	2.00
3P	10.00	6.80	4.00
4P	12.00	8.80	6.00
5P	14.00	10.80	8.00
6P	16.00	12.80	10.00



RECOMMENDER P.C.B.LAYOUT TOP VIEW

3	插片	黄铜H65	镀镍锡	
2	插针	黄铜H65	镀镍锡	
1	基座	LCP	本色	
序号	品名	材质	电镀/颜色	备注

Specifications:

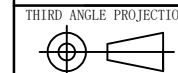
1. Rated Voltage: 125V AC/DC
2. Rated Current: 2A AC, DC
3. Withstand Voltage: 200V AC/minute
4. Contact Resistance : 50mΩ (Max)
5. Insulation Resistance: 1000MO(MIN)
6. Storage Temperature e Range: -40°C~+85°C;
7. Operation Temperature Range: -25°C~+70°C;

深圳市虹成电子有限公司

UNLESS OTHERWISE,  
GENERAL TOLERANCE:  
X. xxx ±0.10  
X. xx ±0.20  
X. x ±0.30

NAME:  
针座2.0卧贴5P

P/N: HCZZ0451-5  
DWG NO:



UNIT:	SCALE	SIZE:	SHEET:	REV.
MM	1:1	A4	1/1	A0

ANGULAR:  
X. xx° ±1°  
X. x° ±3°  
X. ° ±5°

DRAWN:  
Willming

CHECKED:  
Xiao

APPROVED:  
Tang