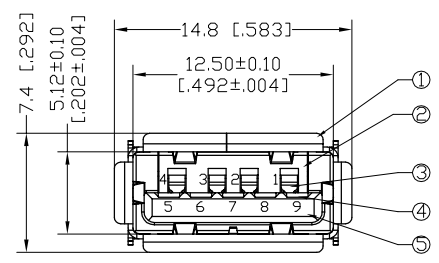


REV.	ECN. NO.	APPD.
A	BC-09-7140265	Adward Zheng
B	BC-12-0007732	Adward Zheng



PRODUCT NO.: UEA 0 1 2 C - 4FH1 - 4 F

Series Prefix: UEA: USB 3.0 A TYPE

Termination Type: 0: Vertical Dip

Product Type: 1: Receptacle

No. of Contact Position: 1: 9 Pos.

Center Line Height: 2: 4-5mm

Lead Free Code: F: Lead Free

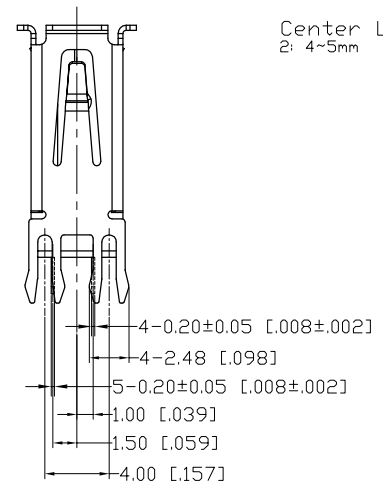
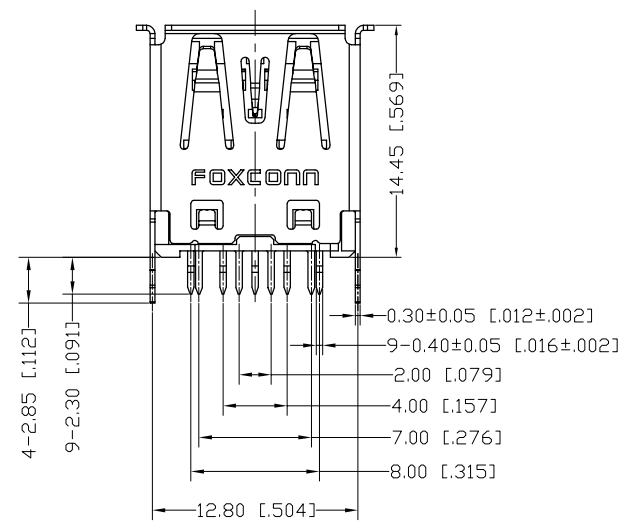
Package Code: 4: Soft Tray Package

Extension Code

Contact Area Plating: C: 30u" Pd/Ni + Gold Flash

A
B
C
D
E

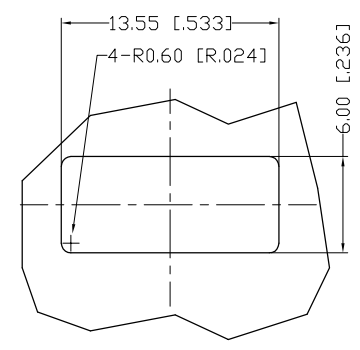
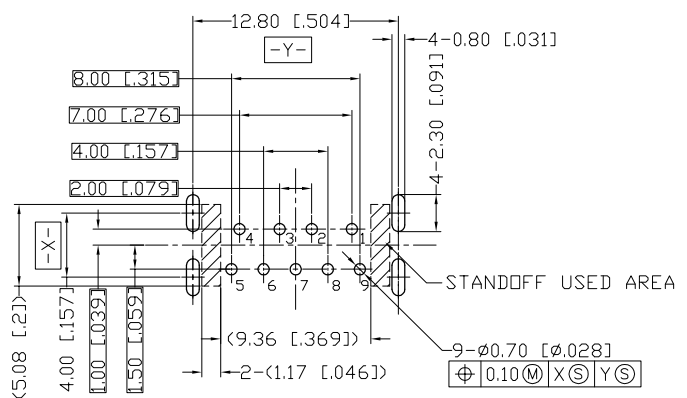
A
B
C
D
E



- NOTES :
- ELECTRICAL AND MECHANICAL CHARACTERISTICS MEET USB3.0 STANDARD.
 - DIMENSIONS ARE IN MILLIMETERS, BRACKETED DIMENSIONS ARE INCHES EQUIVALENTS.
 - MEET USB3.0 STANDARD SPECIFICATION.
 - RECOMMENED PROCESS: WAVE SOLDER 260°C, 3~5SECONDS.
 - THE CONNECTOR IS ROHS COMPLIANT.

PIN ASSIGNMENT:

Pin No.	1	2	3	4	5	6	7	8	9
Signal Name	VBUS	D-	D+	GND	SSRX-	SSRX+	GND_DRAIN	SSTX-	SSTX+
Remark	USB2 Contact Pin			USB3 Contact Pin					



RECOMMENDED P.C.B LAYOUT (COMPONENT SIDE)

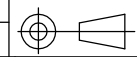
PCB THICKNESS: 1.60±0.05[0.063±0.002]mm
 DEFAULT TOLERANCE: ±0.05[0.002]

MOUNTING PANEL CUTOUT

NO.	DESCRIPTION	QTY.	MATERIAL	TREATMENT
5	INNER INSULATOR	1	THERMOPLASTIC UL 94V-0	MOLDED COLOR: BLUE(PANTONE 300C).
4	USB3 CONTACT	5	COPPER ALLOY	NICKEL UNDERPLATING OVERALL; 30u" Pd/Ni + GOLD FLASH AT CONTACT AREA; TIN ALLOY AT TERMINATION.
3	USB2 CONTACT	4	COPPER ALLOY	FLASH AT CONTACT AREA; TIN ALLOY AT TERMINATION.
2	FRAME	1	THERMOPLASTIC UL 94V-0	MOLDED COLOR: BLUE(PANTONE 300C).
1	SHELL	1	STAINLESS STEEL	NICKEL PLATED OVERALL, HOOK WITH LEAD FREE TIN ALLOY.

X.±	X°.±	UNITS	NAME(INTENDED USE)	FOXCONN
.X± 0.38[0.010]	.X°.±	mm[inch]	CUSTOMER	HON HAI PRECISION IND. CO.,LTD. TAIPEI, TAIWAN, R.O.C.
.XX± 0.25[0.010]	.XX°.±	MAT'L	PART NO.(INTENDED USE)	TITLE:
.XXX±	.XXX°.±	N/A	UEA0112C-4FH1-4F	USB 3.0 STANDARD-A VERTICAL TYPE RECEPTACLE
		FINISH	APPD: Dean Zhang 2/6'12	DWG NO.:
		N/A	CHKD: Jesse Wang 2/6'12	327-0000-1862
		Q'TY	DR: X.Q. Yu 2/6'12	SCALE SHEET REV.
		N/A		N/A 1/1 B

THESE DRAWINGS AND SPECIFICATIONS ARE THE PROPERTY OF HON HAI PRECISION IND. CO., LTD. AND SHALL NOT BE REPRODUCED, COPIED OR USED IN ANY MANNER WITHOUT THE PRIOR WRITTEN CONSENT OF HON HAI PRECISION IND. CO., LTD.



1 2 3 4 5 6 7 8