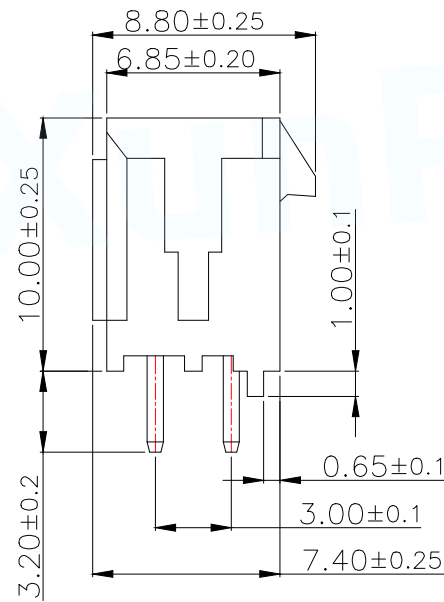
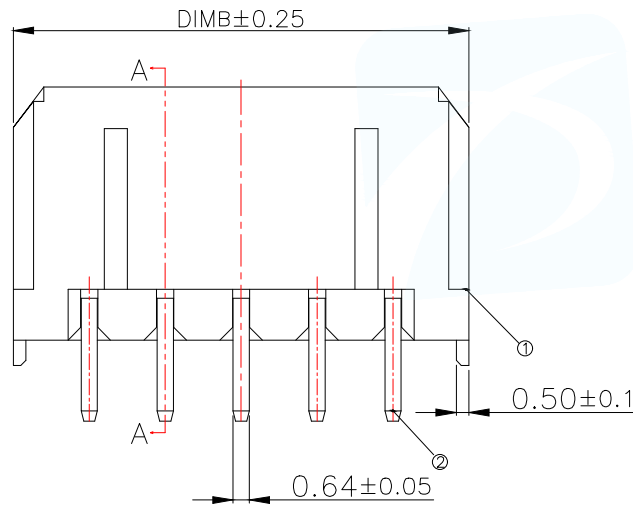
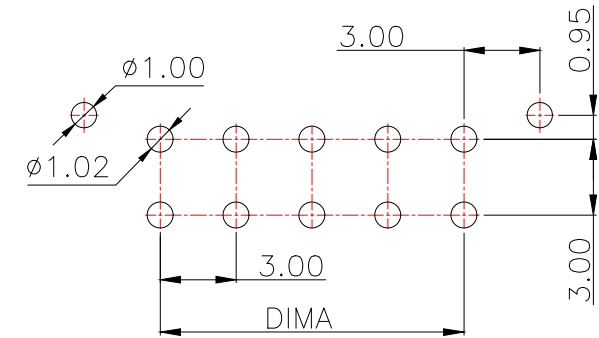


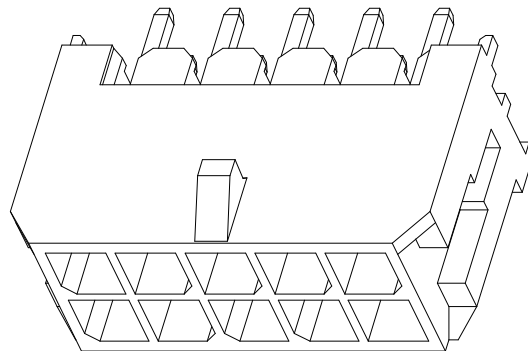
SECTION A-A



型号	CKT	A	B
WAFER-MX3.0-02PZZ	2*1	0.00	6.00
WAFER-MX3.0-04PZZ	2*2	3.00	9.00
WAFER-MX3.0-06PZZ	2*3	6.00	12.00
WAFER-MX3.0-08PZZ	2*4	9.00	15.00
WAFER-MX3.0-10PZZ	2*5	12.00	18.00
WAFER-MX3.0-12PZZ	2*6	15.00	21.00
WAFER-MX3.0-14PZZ	2*7	18.00	24.00
WAFER-MX3.0-16PZZ	2*8	21.00	27.00
WAFER-MX3.0-18PZZ	2*9	24.00	30.00
WAFER-MX3.0-20PZZ	2*10	27.00	33.00
WAFER-MX3.0-22PZZ	2*11	30.00	36.00
WAFER-MX3.0-24PZZ	2*12	33.00	39.00



PCB.WELDING DRAWING (TOLERANCE:±0.05)



Technical Index:

1. Temperature range: -25°C~+85°C.
2. Rated voltage: 600V, AC, DC.
3. Rated current: 5.0A AC, DC.
4. Contact resistance: ≤20mΩ .
5. Withstanding voltage: 1500V AC/minute.
6. Insulation resistance: ≥1000MΩ.

MANUFACTURE DWG		东莞市讯普电子科技有限公司 DongGuan XunPu Electronics Co.,Ltd	
UNLESS OTHERWISE SPECIFIED TOLERANCES			TITLE: MX3.0MM WAFER DIP TYPE
			PAR WAFER-MX3.0-NPZZ
			DWN
			CHKD
DECIMALS: X.X±0.30	ANGLES: X.*±5°	APVD	
X.XX±0.25	X.X*±1°	SCALE:A	UNIT:MM
X.XXX±0.15		SIZE:A4	UNIT:MM
CUSTOMER COPY		SHEET:1F1	REV:A