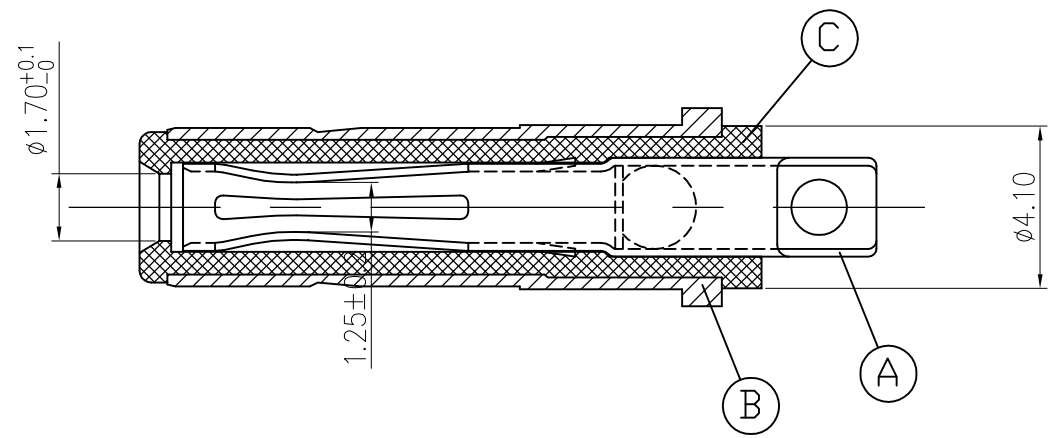
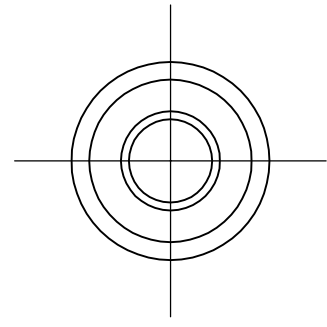
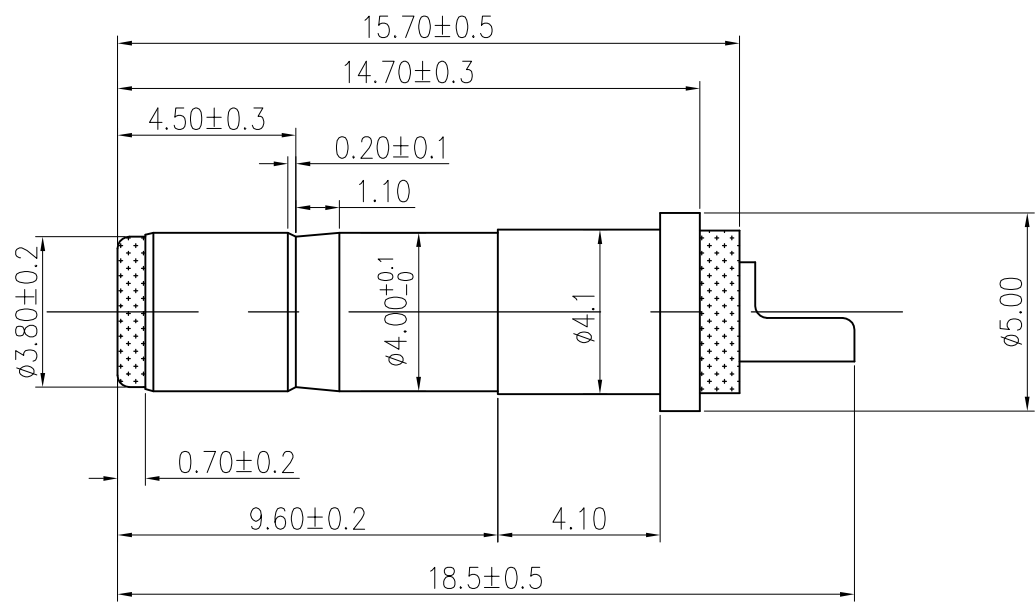


修 订	标 记	修 改 描 要	签 名	日 期
REV NO	MARK	REVISION DESCRIPTION	SIGNATURE	DATE
		NEW DWG		2016-03-12



NOTE:  
 1.ELECTRICAL REQUIREMENTS?  
 1.1.DIELECTRIC STRENGTH?AC 650V AT 1 MINUTE?  
 1.2.INSULATION RESISTANCE?DC 500V/100MEGOHMS MIN?  
 1.3.CONTACT RESISTANCE?30MILLIOHMS MAX OR LESS BETWEEN PLUG AND JACK?  
 2.MECHANICAL CHARACTERISTICS?  
 2.1.INSERTION FORCE?15N MIN?  
 2.2.WITHDRAWAL FORCE?13N MIN?  
 4.SALT SPRAY?35+/-2? 95-98%(R.H.) PH?6.5-7.2,24HOURS

C	INSULATOR	PBT, 94V-0	COLOR:BLACK	1
B	OUTER BARREL	BRASS	NICKEL	1
A	FORK CONTACT	PHOSPHOR BRONZE	NICKEL	1
ITME	DESCRIPTION	MATERIAL	TREATMENT	Q'TY

**HDGC** 深圳市华德共创科技有限公司  
 Shenzhen Huade co-create Technology Co.,LTD  
 电话: 0755-23304126 传真: 0755-29940187

3	P-BRONZE	NICKEL	2um
2	BRASS	NICKEL	2um
1	PBT	BLACK	
NO	MATERIAL	PLATING	THICKNESS

-TOLERANCES- UNLESS OTHERWISE SPECIFIED 公差参数表				TITLE: 产品名称: DC电源插头 $\phi 4.00 \times \phi 1.70$				
X.X	$\pm 0.30$	X.X*	$\pm 3^\circ$	APPD: 核准:	PART NO: 产品编号: DP400170-0038-6H			
X.XX	$\pm 0.20$	X.XX*	$\pm 2^\circ$	CHECK: 校对: 王建业	DATE	SCALE	UNIT	CODE NUMBER
X.XXX	$\pm 0.10$	X.XXX*	$\pm 1^\circ$	DRAW: 绘图: 黄艳兰	2016-03-12	1:1	mm	A001