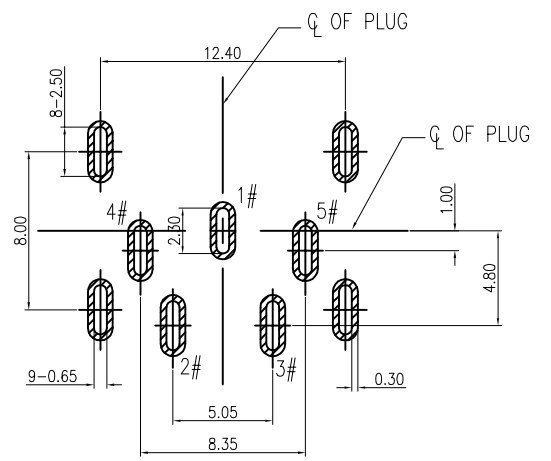
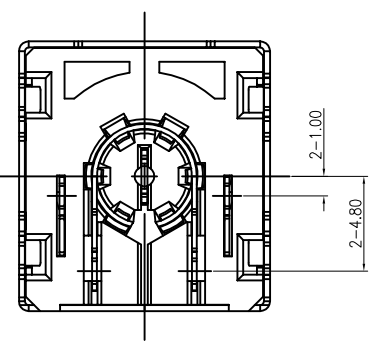
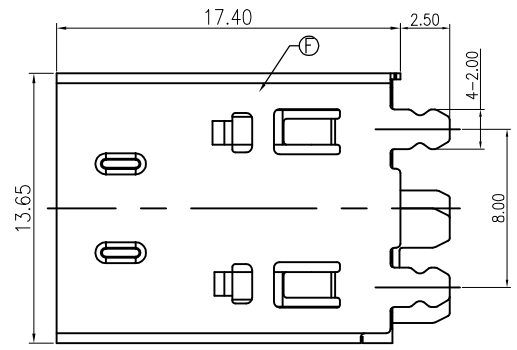
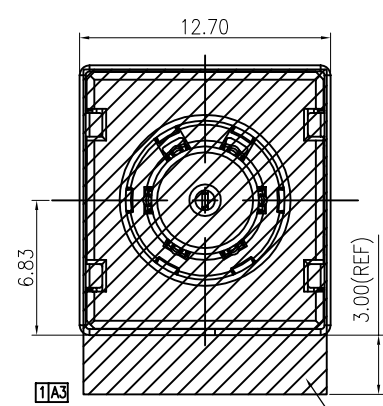
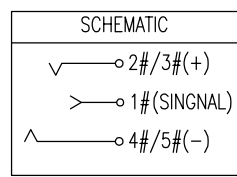
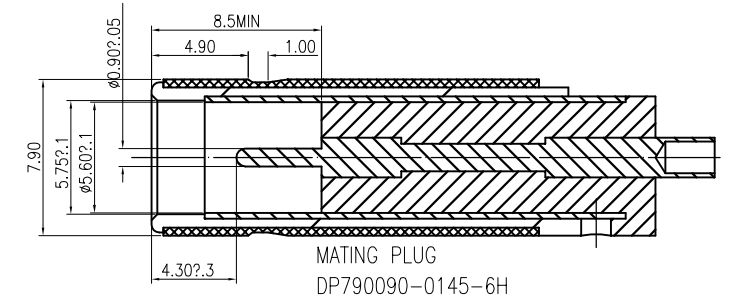
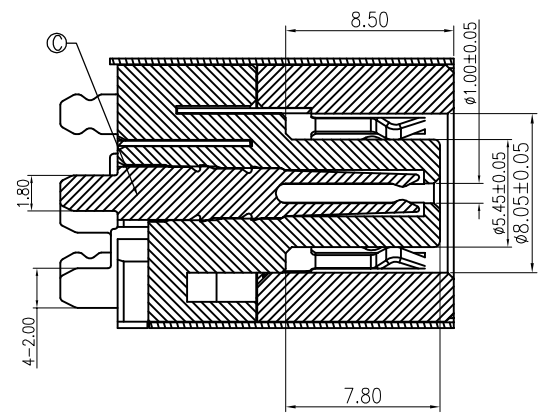
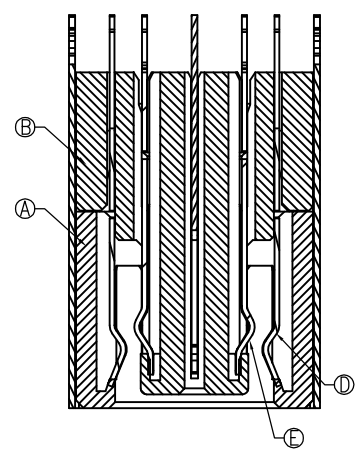
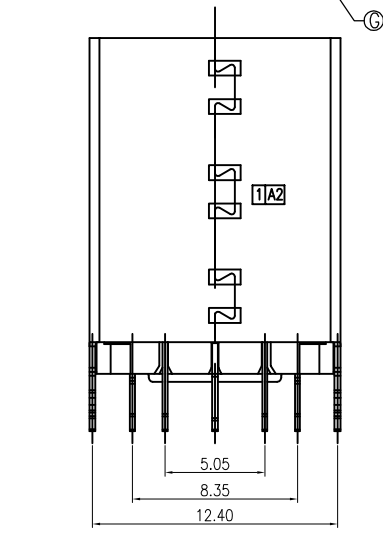


修订	标记	修改摘要	签名	日期
REV	NO	NEW DWG	SIGNATURE	DATE
				2016-03-12

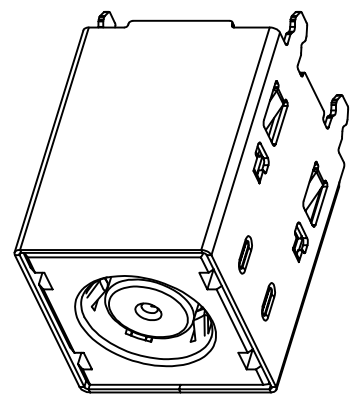



RECOMMENDED PCB LAYOUT
TOP VIEW TOLERANCE: ±0.05



NO.	DESCRIPTION	MATERIAL	REMARKS	QTY
G	MYLAR			1
F	SHELL	SUS 304	Ni 50u"MIN.	1
E	ANODE	C7025	Ni 40u"	1
D	NEGATIVE	C7025	Ni 40u"	1
C	CENTER PIN	C5210	Au1u"(CONTACT AREA)/Sn80u"/Ni 40u"	1
B	COVER	PA10T	BLACK	1
A	HOUSING	PA10T	BLACK	1

- SPECIFICATION:
- RATING: DC 30V 25A
 - CONTACT RESISTANCE:
CENTER PIN: 30mΩ MAX(INITIAL).
40mΩ MAX(FINAL).
DC_IN+/DC_IN-: 15mΩ MAX(INITIAL).
25mΩ MAX(FINAL).
 - INSULATION RESISTANCE: 100 MΩ MIN.
 - WITHSTAND VOLTAGE: 500 VAC
 - INSERTION FORCE: 25N MAX.
 - EXTRACTION FORCE: 6N MIN.
 - DURABILITY: 5,000 CYCLES





深圳市华德共创科技有限公司
Shenzhen Huade co-create Technology Co.,LTD
电话: 0755-23304126 传真: 0755-29940187

-TOLERANCES- UNLESS OTHERWISE SPECIFIED 公差参数表		TITLE: DC Power Jack 7909 大电流25A, 直 产品名称: 立式, 高可靠 H=17.4	
X.X ±0.30	X.X* ±3°	APPD: 核准:	PART NO: 产品编号: DC790090-0302-2H
X.XX ±0.20	X.XX* ±2°	CHECK: 校对: 王建业	DATE
X.XXX ±0.10	X.XXX* ±1°	DRAW: 绘图: 黄艳兰	SCALE
			UNIT
			CODE NUMBER
			2016-03-12
			1:1
			mm
			A001