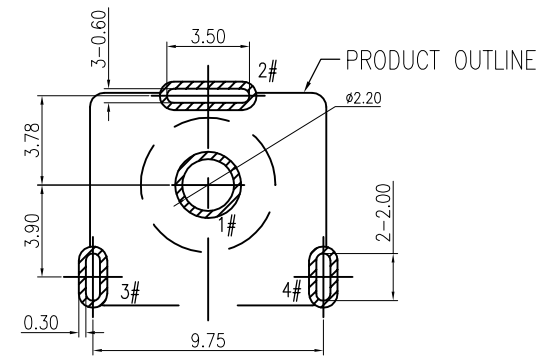
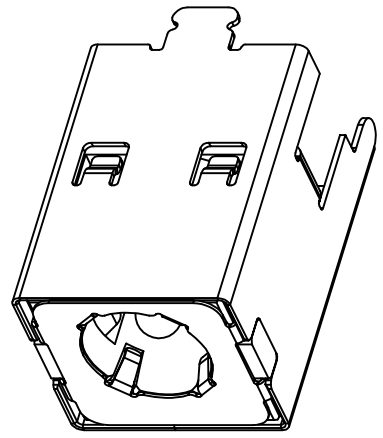
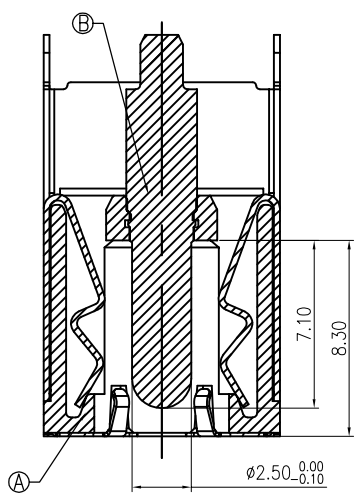
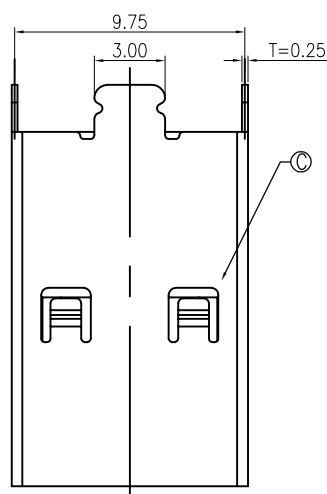


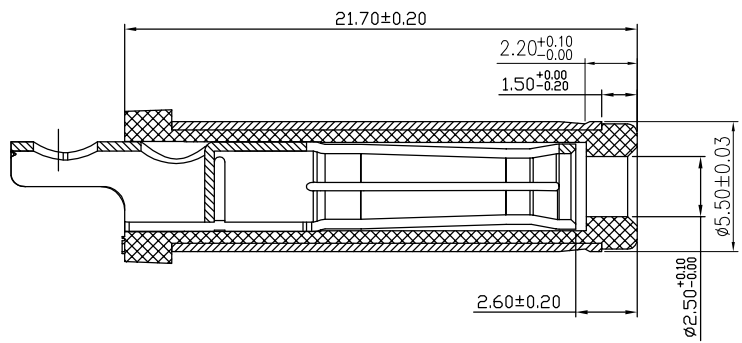
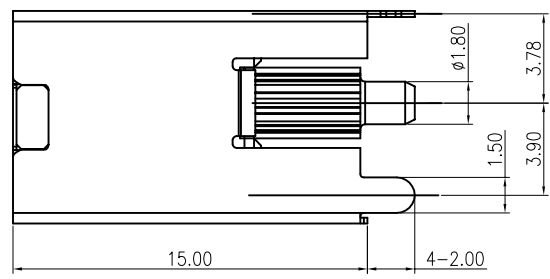
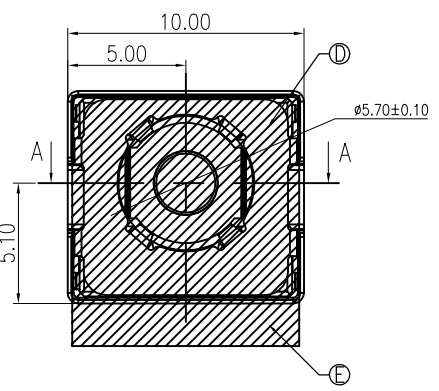
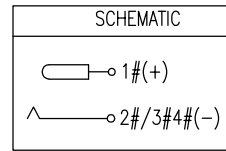
修 订	标 记	修 改 描 述	签 名	日 期
REV	NO	NEW DWG	SIGNATURE	DATE
				2016-03-12



RECOMMENDED PCB LAYOUT
TOP VIEW TOLERANCE: ± 0.05

SPECIFICATION:

1. RATING: DC 20V 20A
2. CONTACT RESISTANCE:
30m Ω MAX.(INITIAL)
50m Ω MAX.(FINAL)
3. INSULATION RESISTANCE: 100 M Ω MIN.
4. WITHSTAND VOLTAGE: 500 VAC
5. INSERTION FORCE: 3N~30N
6. EXTRACTION FORCE: 3N~30N
7. DURABILITY: 5,000 CYCLES



MATING PLUG
DP550250-0188-6H

NO.	DESCRIPTION	MATERIAL	REMARKS	QTY
E	MYLAR			1
D	GROUND	SUS 304		1
C	SHELL	COPPER ALLOY	Ni 40 μ "MIN.	1
B	CENTER PIN	BRASS	GOLD FLASH/Ni 40 μ " MIN.	1
A	HOUSING	HIGH TEMP.THERMOPLASTIC	BLACK	1



深圳市华德共创科技有限公司
Shenzhen Huade co-create Technology Co.,LTD
电话: 0755-23304126 传真: 0755-29940187

-TOLERANCES- UNLESS OTHERWISE SPECIFIED 公差参数表		TITLE: DC Power Jack 5525 大电流20A, 直 产品名称: 立式, 高可靠 H=15.0	
X.X	± 0.30	X.X*	$\pm 3^\circ$
X.XX	± 0.20	X.XX*	$\pm 2^\circ$
X.XXX	± 0.10	X.XXX*	$\pm 1^\circ$
APPD: 核准:	王建国	PART NO: 产品编号:	DC550250-1078-2H
CHECK: 校对:	黄艳兰	DATE	SCALE
DRAW: 绘图:	2016-03-12	UNIT	CODE NUMBER
	1:1	mm	A001