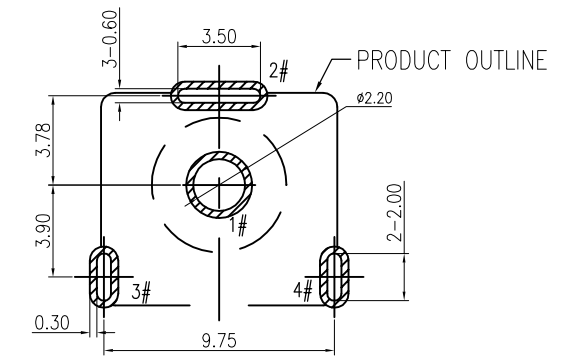
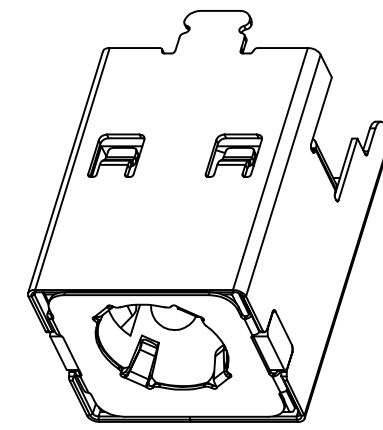
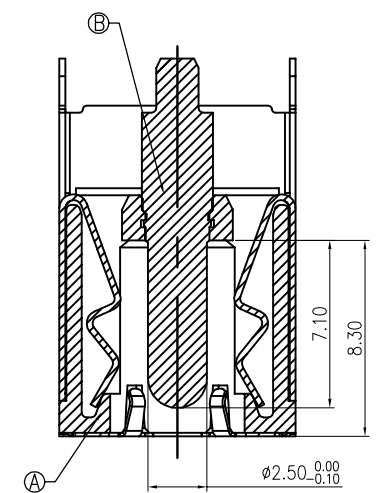
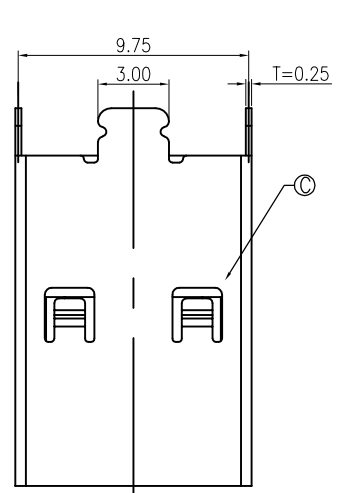
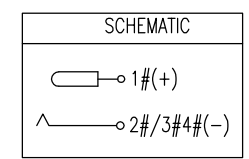
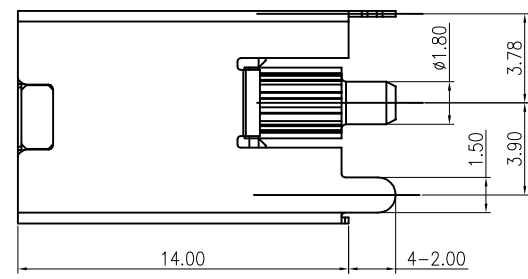
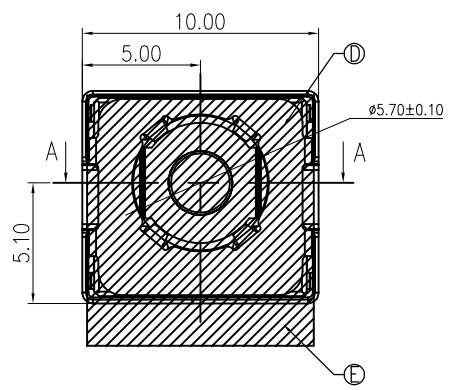


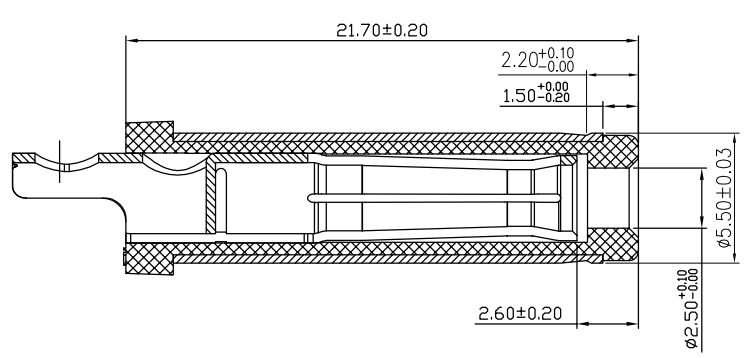
修 订 NO	标 记 MARK	修 改 描 述 REVISION DESCRIPTION	签 名 SIGNATURE	日 期 DATE
		NEW DWG		2016-03-12



RECOMMENDED PCB LAYOUT  
TOP VIEW TOLERANCE:  $\pm 0.05$



- SPECIFICATION:
- RATING: DC 20V 20A
  - CONTACT RESISTANCE: 30m $\Omega$  MAX.(INITIAL) 50m $\Omega$  MAX.(FINAL)
  - INSULATION RESISTANCE: 100 M $\Omega$  MIN.
  - WITHSTAND VOLTAGE: 500 VAC
  - INSERTION FORCE: 3N~30N
  - EXTRACTION FORCE: 3N~30N
  - DURABILITY: 5,000 CYCLES



MATING PLUG  
DP550250-0188-6H

NO.	DESCRIPTION	MATERIAL	REMARKS	QTY
E	MYLAR			1
D	GROUND	SUS 304		1
C	SHELL	COPPER ALLOY	Ni 40u"MIN.	1
B	CENTER PIN	BRASS	GOLD FLASH/Ni 40u" MIN.	1
A	HOUSING	HIGH TEMP.THERMOPLASTIC	BLACK	1

**HDGC** 深圳市华德共创科技有限公司  
Shenzhen Huade co-create Technology Co.,LTD  
电话: 0755-23304126 传真: 0755-29940187

-TOLERANCES- UNLESS OTHERWISE SPECIFIED 公差参数表		TITLE: DC Power Jack 5525 大电流20A, 直 产品名称: 立式, 高可靠 H=14.0	
X.X	$\pm 0.30$	X.X*	$\pm 3^{\circ}$
X.XX	$\pm 0.20$	X.XX*	$\pm 2^{\circ}$
X.XXX	$\pm 0.10$	X.XXX*	$\pm 1^{\circ}$
APPD: 核准:	王建国	PART NO: 产品编号:	DC550250-1077-2H
CHECK: 校对:	黄艳兰	DATE	SCALE
DRAW: 绘图:	2016-03-12	UNIT	CODE NUMBER
	1:1	mm	A001