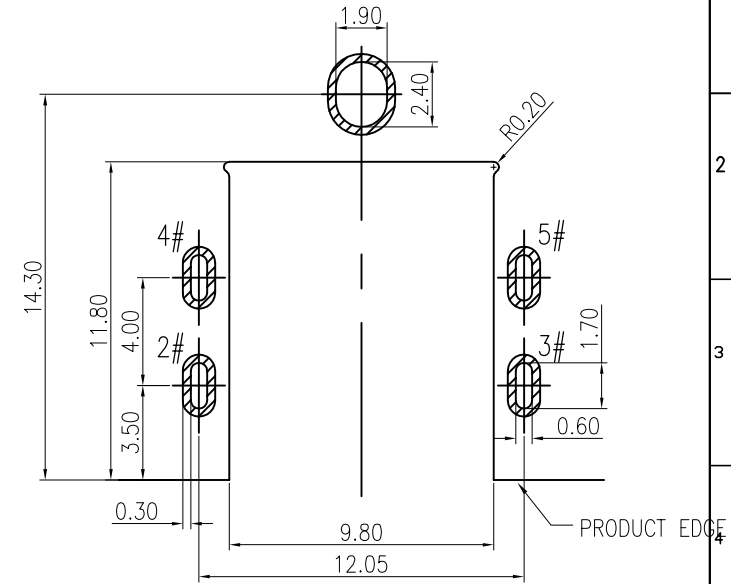
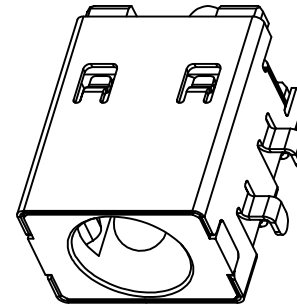
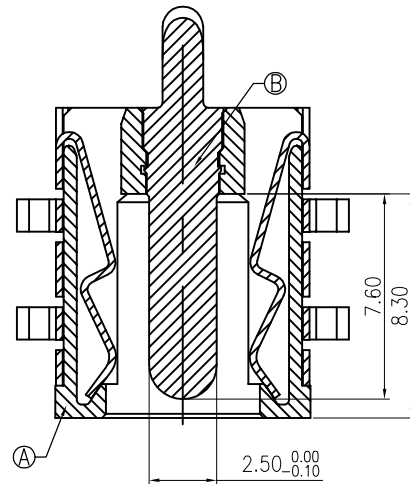
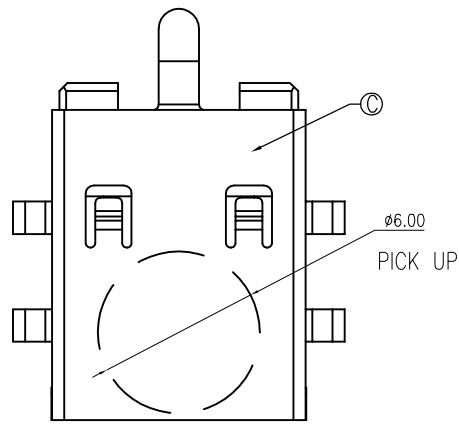
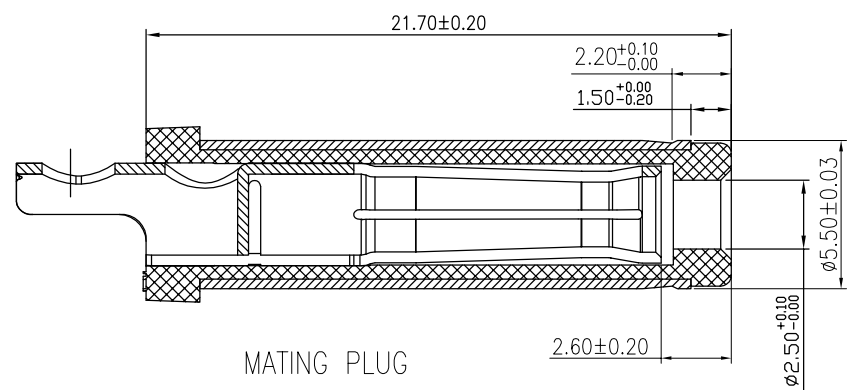
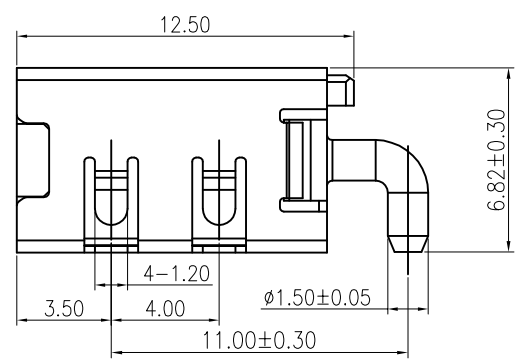
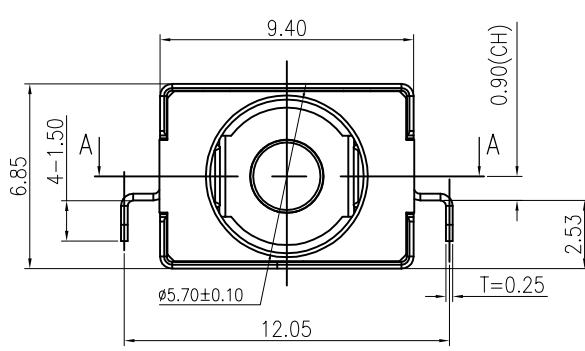
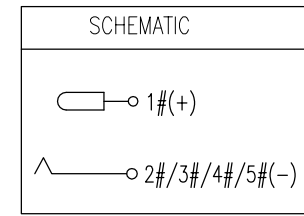


REV	MARK	修改摘要	签名	日期
REV A0		NEW DWG		2016-03-12



RECOMMENDED PCB LAYOUT
TOP VIEW TOLERANCE: ±0.05

- SPECIFICATION:
- RATING: DC 30V 15A
 - CONTACT RESISTANCE:
30mΩ MAX(INITIAL).
50mΩ MAX(FINAL).
 - INSULATION RESISTANCE: 100 MΩ MIN.
 - WITHSTAND VOLTAGE: 500 VAC
 - INSERTION FORCE: 30N MAX.
 - EXTRACTION FORCE: 3N MIN.
 - DURABILITY: 5,000 CYCLES



MATING PLUG
DP550250-0188-6H

C	SHELL	C5210	Ni 40u" MIN.	1
B	CENTER PIN	BRASS	GOLD FLASH /Ni 40u" MIN.	1
A	HOUSING	PA10T	BLACK	1
NO.	DESCRIPTION	MATERIAL	REMARKS	QTY



深圳市华德共创科技有限公司
Shenzhen Huade co-create Technology Co., LTD
电话: 0755-23304126 传真: 0755-29940187

-TOLERANCES- UNLESS OTHERWISE SPECIFIED 公差参数表		TITLE: DC Power Jack 5521 大电流15A, 卧 产品名称: 式, 高可靠 Cl=0.9				
X.X ±0.30	X.X* ±3°	APPD: 核准:	PART NO: 产品编号: DC550250-1051-2H			
X.XX ±0.20	X.XX* ±2°	CHECK: 校对: 王建业	DATE	SCALE	UNIT	CODE NUMBER
X.XXX ±0.10	X.XXX* ±1°	DRAW: 绘图: 黄艳兰	2016-03-12	1:1	mm	A001