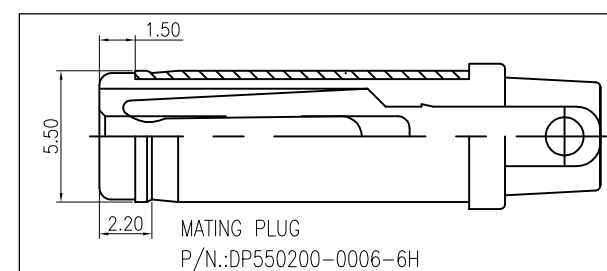
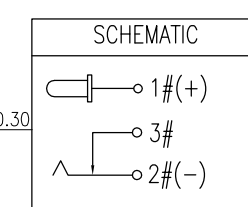
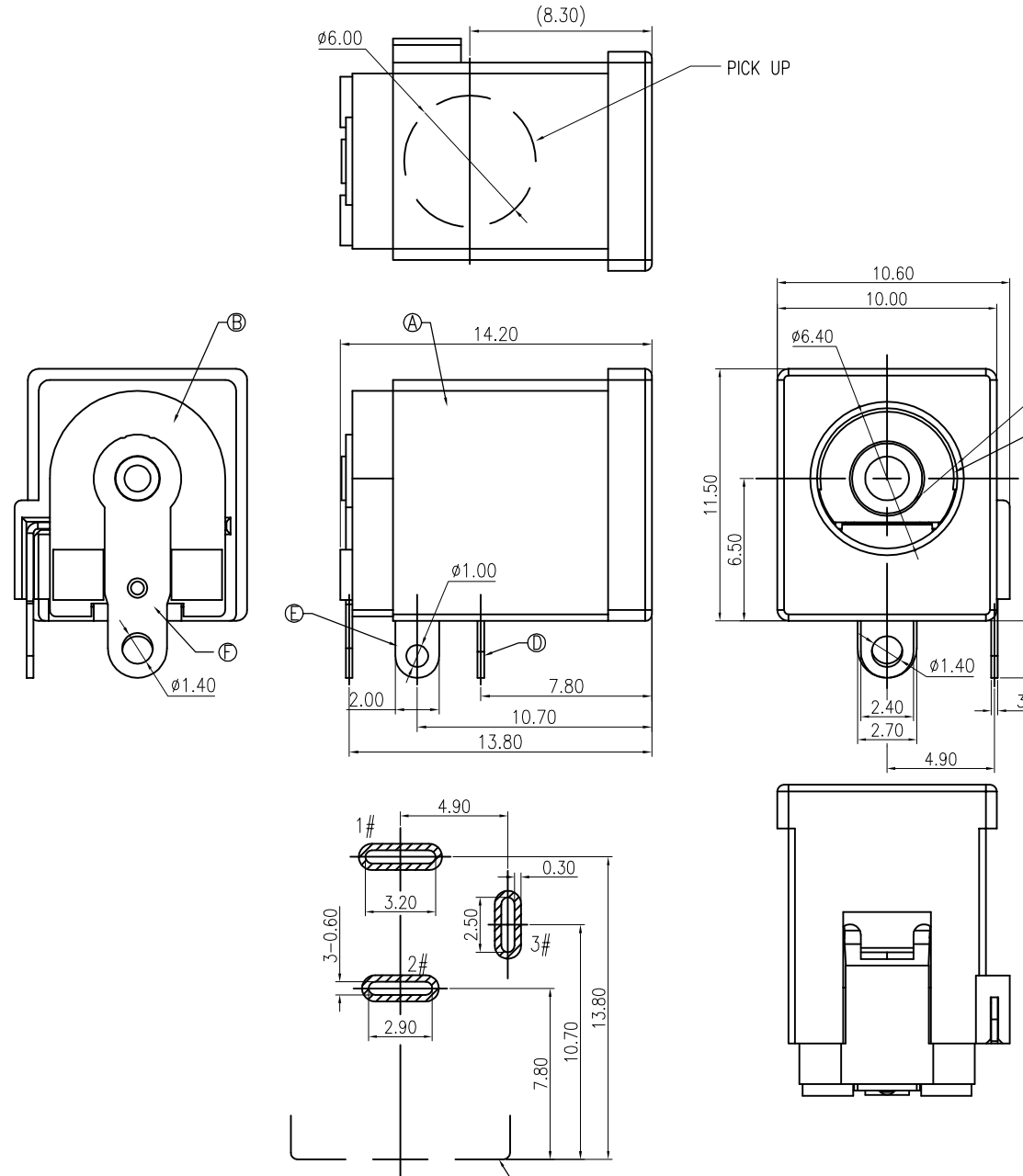
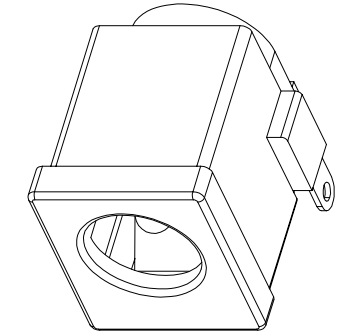


修 订	标 记	修 改 描 要	签 名	日 期
REV	NO	NEW DWG	SIGNATURE	DATE
				2016-03-12

- SPECIFICATION:
1. RATING: DC 60V 5A
 2. CONTACT RESISTANCE: 30mΩ MAX.
 3. INSULATION RESISTANCE: 100 MΩ MIN.
 4. WITHSTAND VOLTAGE: 500 VAC
 5. INSERTION FORCE: 30N MAX.
 6. EXTRACTION FORCE: 6N MIN.
 7. DURABILITY: 5,000 CYCLES



NO.	DESCRIPTION	MATERIAL	REMARKS	QTY
F	PLATE	BRASS	Sn 60u" MIN./Ni 50u" MIN.	1
E	SHUNT	BRASS	Sn 60u" MIN./Ni 50u" MIN.	1
D	SPRING	COPPER ALLOY	Au 1u" ON THE CONTACT AREA Sn 60u" MIN. ON THE SOLDER TAIL Ni 50u" MIN. UNDER PLATED OVERALL	1
C	CENTER PIN	BRASS	Au 1u"/Ni 50u" MIN.	1
B	COVER	LCP	BLACK	1
A	HOUSING	LCP	BLACK	1

RECOMMENDED PCB LAYOUT
TOP VIEW TOLERANCE: ±0.05

HDCG 深圳市华德共创科技有限公司
Shenzhen Huade co-create Technology Co., LTD
电话: 0755-23304126 传真: 0755-29940187

-TOLERANCES- UNLESS OTHERWISE SPECIFIED 公差参数表		TITLE: DC Power Jack 5521 大电流5A, 卧式, 产品名称: 高可靠 CL=6.5	
X.X ±0.30	X.X* ±3°	APPD: 核准:	PART NO: 产品编号: DC550200-1095-2H
X.XX ±0.20	X.XX* ±2°	CHECK: 校对: 王建业	DATE SCALE UNIT CODE NUMBER
X.XXX ±0.10	X.XXX* ±1°	DRAW: 绘图: 黄艳兰	2016-03-12 1:1 mm A001