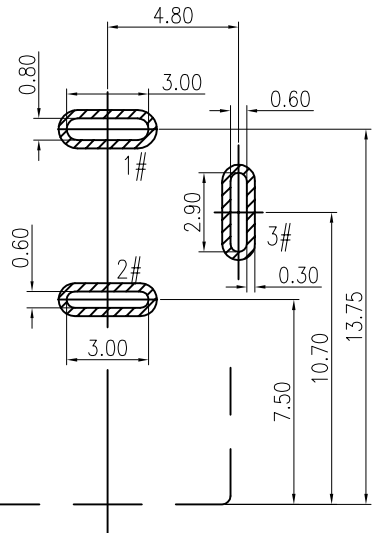
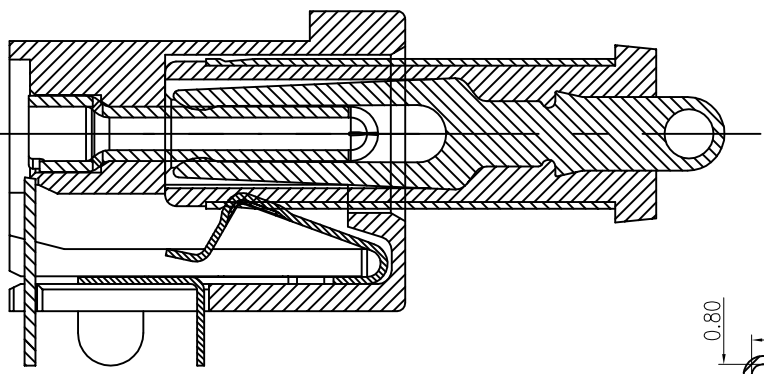
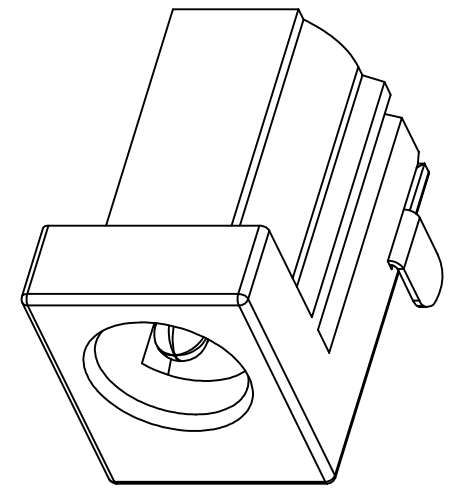
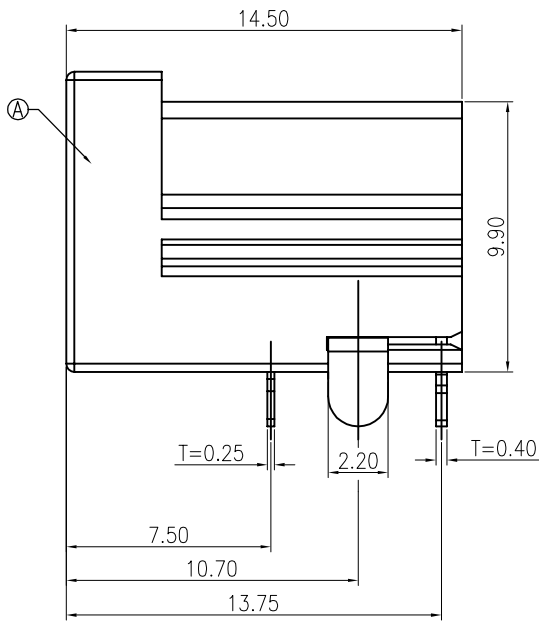
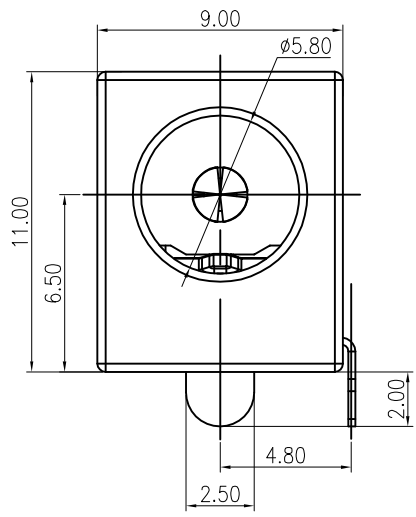
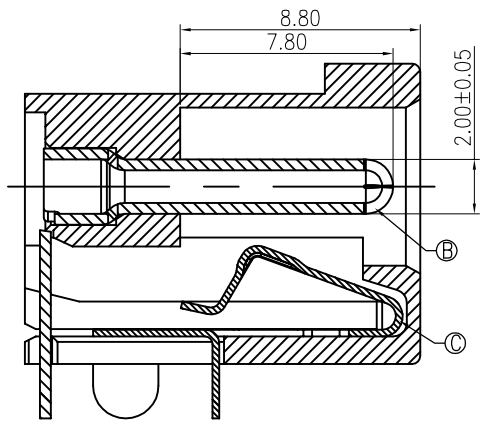


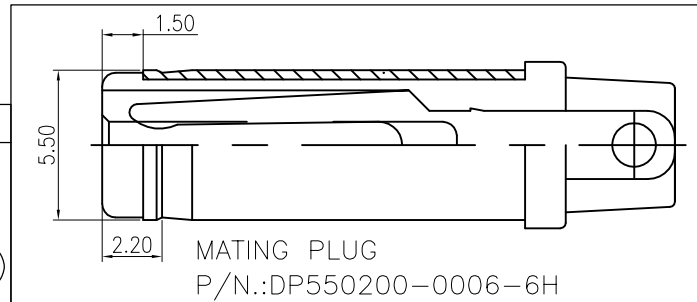
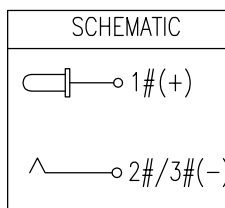
| | | | | |
|---------------------|----------------|---|---------------------|----------------|
| 修 订 REV NO | 标 记 MARK | 修 改 描 写 REVISION DESCRIPTION | 签 名 SIGNATURE | 日 期 DATE |
| | | NEW DWG | | 2016-03-12 |



RECOMMENDED PCB LAYOUT
TOP VIEW TOLERANCE:±0.05

SPECIFICATION:

1. RATING: DC 60V 7A
2. CONTACT RESISTANCE: 30mΩ MAX.
3. INSULATION RESISTANCE: 100 MΩ MIN.
4. WITHSTAND VOLTAGE: 500 VAC
5. INSERTION FORCE:40N MAX.
6. EXTRACTION FORCE:3N MIN.
7. DURABILITY: 5,000 CYCLES



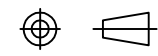
| NO. | DESCRIPTION | MATERIAL | REMARKS | QTY |
|-----|-------------|--------------|----------------------|-----|
| C | SPRING | COPPER ALLOY | Sn80u" MIN./Ni 40u". | 1 |
| B | CENTER PIN | BRASS | Sn80u" MIN./Ni 40u". | 1 |
| A | HOUSING | PA10T(无卤) | BLACK | 1 |



深圳市华德共创科技有限公司
Shenzhen Huade co-create Technology Co.,LTD
电话: 0755-23304126 传真: 0755-29940187

| | | | | | | | |
|-------------|--|------------|-------------------|------------------------------------|-------|------|-------------|
| X.X ±0.30 | | X.X* ±3° | APPD: 核准: | PART NO: 产品编号: DC550200-0343-2H | | | |
| X.XX ±0.20 | | X.XX* ±2° | CHECK: 校对: 王建业 | DATE | SCALE | UNIT | CODE NUMBER |
| X.XXX ±0.10 | | X.XXX* ±1° | DRAW: 绘图: 黄艳兰 | 2016-03-12 | 1:1 | mm | A001 |

-TOLERANCES-
UNLESS OTHERWISE SPECIFIED
公差参数表



TITLE: DC Power Jack 5521 大电流8A, 卧式,
产品名称: 高可靠三脚插板 CL=6.5