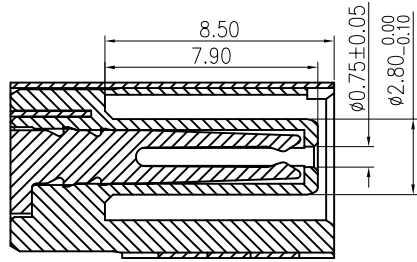
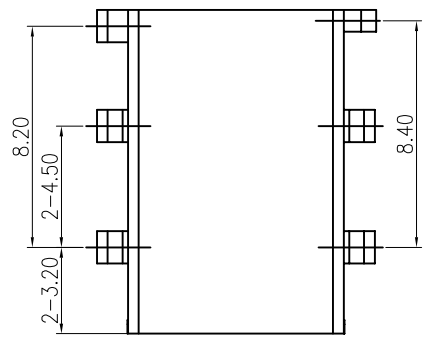
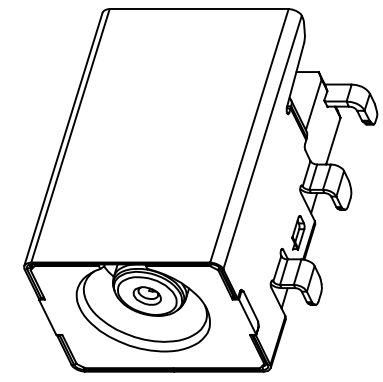


REV	MARK	修改摘要	签名	日期
NO		REVISION DESCRIPTION	SIGNATURE	DATE
		NEW DWG		2016-03-12

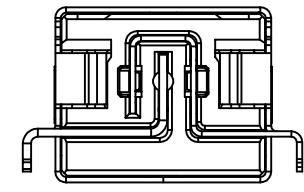
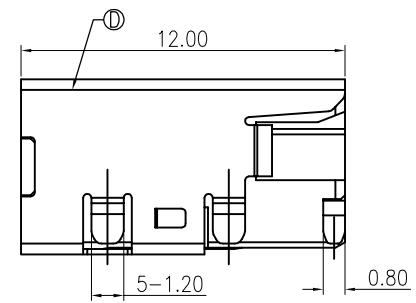
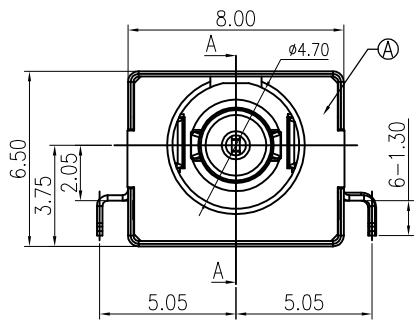


SECTION A-A

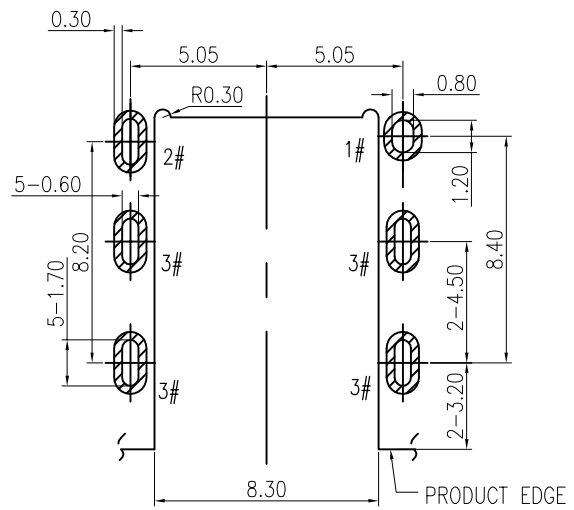
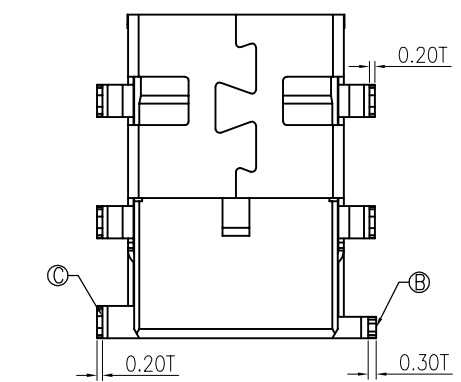


SPECIFICATION:

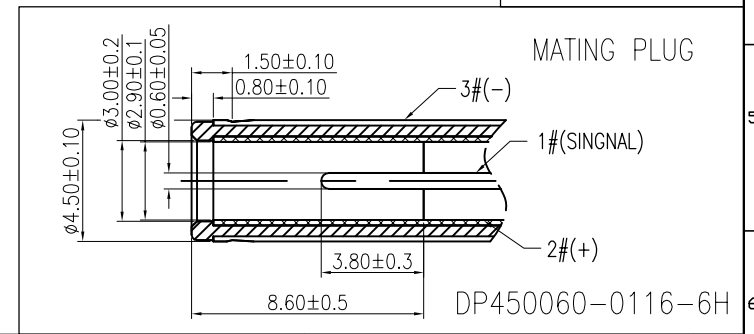
1. RATING: DC 20V 6.5A
2. CONTACT RESISTANCE: 30mΩ MAX.
3. INSULATION RESISTANCE: 100 MΩ MIN.
4. WITHSTAND VOLTAGE: 500 VAC
5. INSERTION FORCE: 30N MAX.
6. EXTRACTION FORCE: 6N MIN.
7. DURABILITY: 5,000 CYCLES



SCHEMATIC	
	2#(+)
	1#(SIGNAL)
	3#(-)



RECOMMENDED PCB LAYOUT
TOP VIEW TOLERANCE: ±0.05



NO.	DESCRIPTION	MATERIAL	REMARKS	QTY
D	SHELL	COPPER ALLOY	Ni 50u"MIN.	1
C	SPRING	COPPER ALLOY	GOLD FLASH/MATTE TIN 80u"/Ni 40u"	1
B	CENTER PIN	COPPER ALLOY	GOLD FLASH/MATTE TIN 80u"/Ni 40u"	1
A	HOUSING	HIGH TEMP.THERMOPLASTIC	BLACK	1

深圳市华德共创科技有限公司
 Shenzhen Huade co-create Technology Co., LTD
 电话: 0755-23304126 传真: 0755-29940187

-TOLERANCES- UNLESS OTHERWISE SPECIFIED 公差参数表		TITLE: DC Power Jack 4506 大电流8A, 卧式, 产品名称: 高可靠 CL=2.05	
X.X	±0.30	X.X*	±3°
X.XX	±0.20	X.XX*	±2°
X.XXX	±0.10	X.XXX*	±1°
APPD: 核准:	王建国	PART NO: 产品编号:	DC450060-0148-3H
CHECK: 校对:	王建业	DATE	SCALE
DRAW: 绘图:	黄艳兰	2016-03-12	1:1
		UNIT	CODE NUMBER
		mm	A001