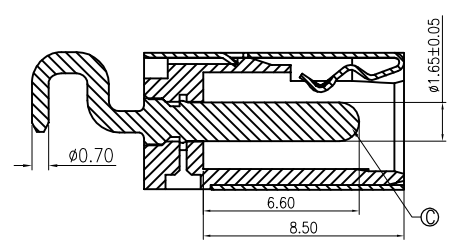
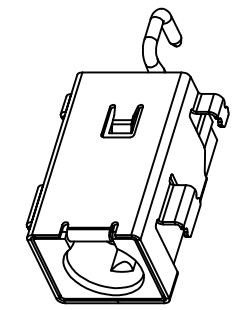
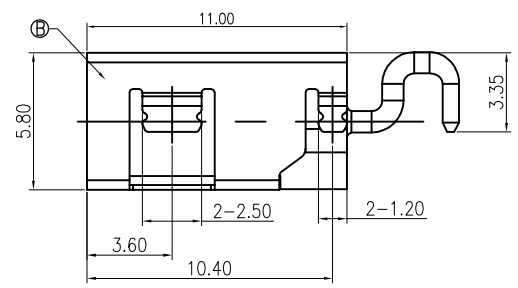
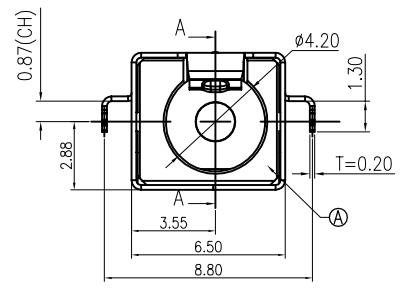


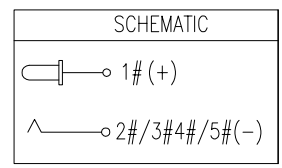
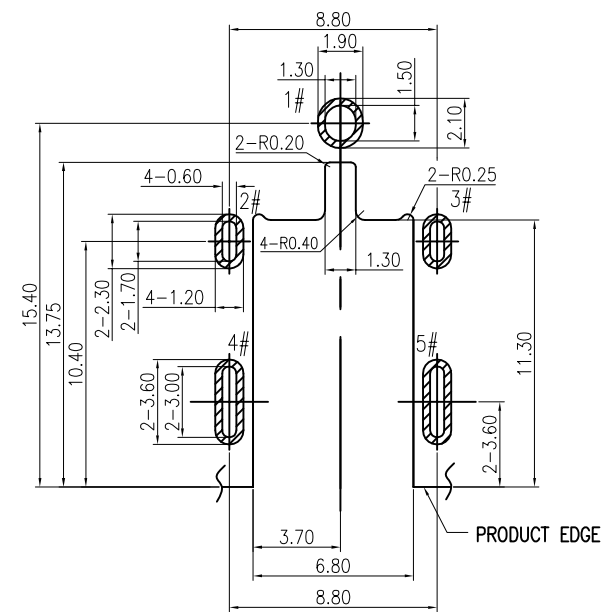
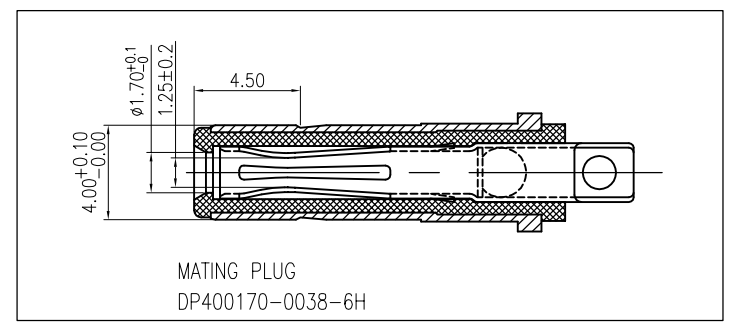
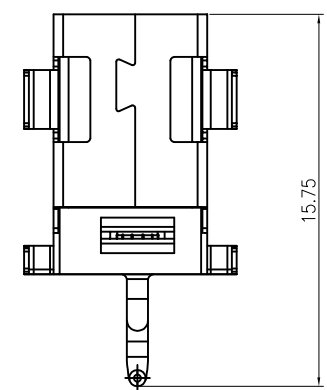
修订 REV NO	标记 MARK	修改摘要 REVISION DESCRIPTION	签名 SIGNATURE	日期 DATE
		NEW DWG		2016-03-12



SECTION A-A



- SPECIFICATION:
1. RATING: DC 20V 5A
 2. CONTACT RESISTANCE: 30mΩ MAX.
 3. INSULATION RESISTANCE: 100 MΩ MIN.
 4. WITHSTAND VOLTAGE: 500 VAC
 5. INSERTION FORCE: 3N~30N
 6. EXTRACTION FORCE: 3N~30N
 7. DURABILITY: 5,000 CYCLES



NO.	DESCRIPTION	MATERIAL	REMARKS	QTY
C	CENTER PIN	BRASS	GOLD FLASH"/Ni 40u"	1
B	SHELL	COPPER ALLOY	Ni 40u"	1
A	HOUSING	HIGH TEMP.THERMOPLASTIC	BLACK	1

深圳市华德共创科技有限公司
Shenzhen Huade co-create Technology Co., LTD
电话: 0755-23304126 传真: 0755-29940187

-TOLERANCES- UNLESS OTHERWISE SPECIFIED 公差参数表		TITLE: DC Power Jack 4017 大电流8A, 卧式, 产品名称: 高可靠 CL=-0.87	
X.X	±0.30	X.X*	±3°
X.XX	±0.20	X.XX*	±2°
X.XXX	±0.10	X.XXX*	±1°

APPD: 核准:	 王建业	PART NO: 产品编号:	DC400170-1091-2H		
CHECK: 校对:		DATE	SCALE	UNIT	CODE NUMBER
DRAW: 绘图:		2016-03-12	1:1	mm	A001