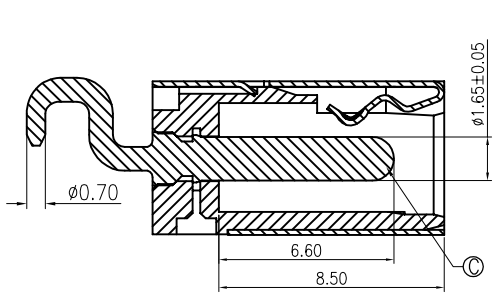
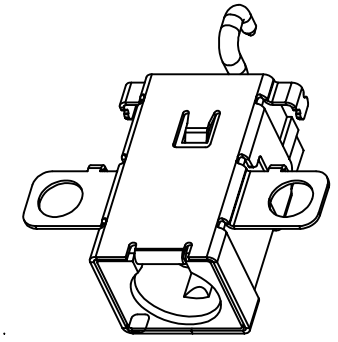
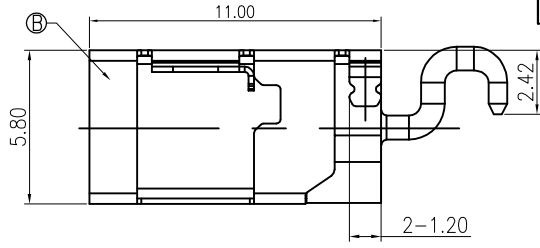
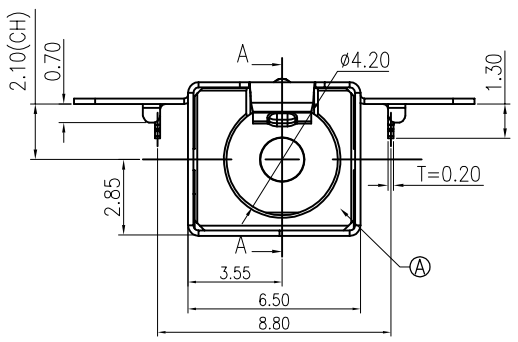


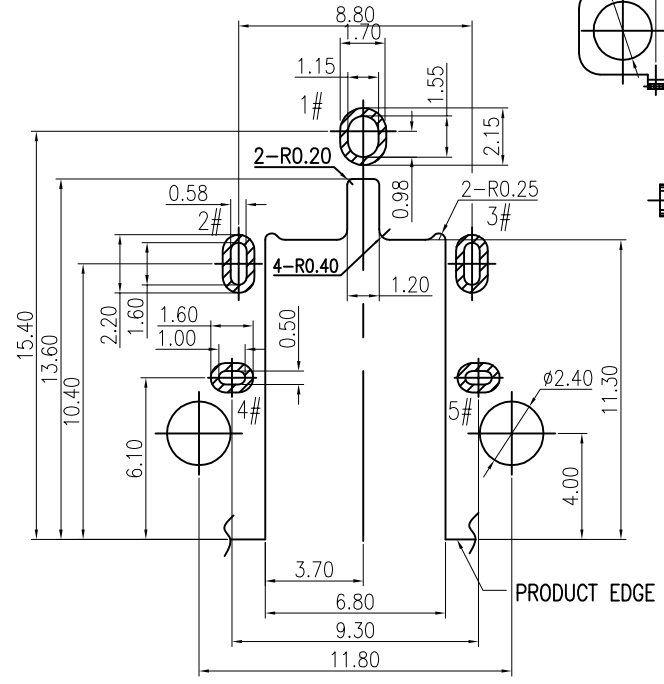
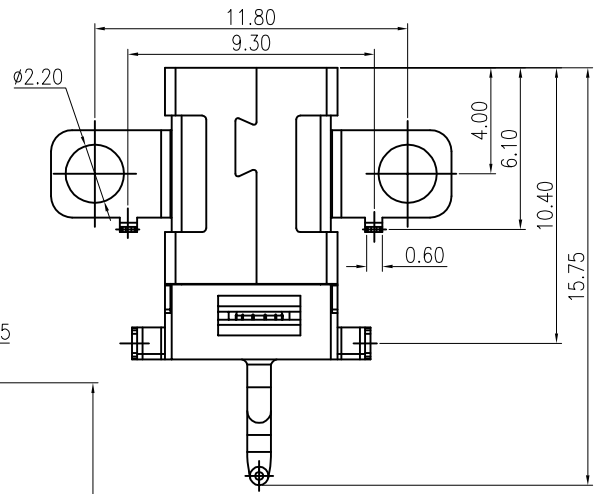
修 订	标 记	修 改 描 述	签 名	日 期
REV	NO	DESCRIPTION	SIGNATURE	DATE
		NEW DWG		2016-03-12



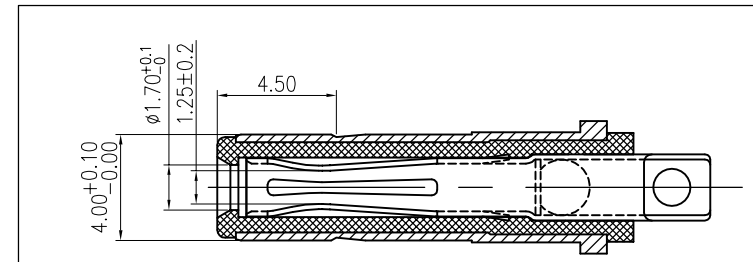
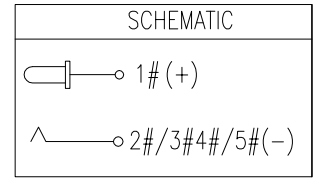
SECTION A-A



- SPECIFICATION:
1. RATING: DC 20V 5A
 2. CONTACT RESISTANCE: 30mΩ MAX.
 3. INSULATION RESISTANCE: 100 MΩ MIN.
 4. WITHSTAND VOLTAGE: 500 VAC
 5. INSERTION FORCE: 3N~30N
 6. EXTRACTION FORCE: 3N~30N
 7. DURABILITY: 5,000 CYCLES



RECOMMENDED PCB LAYOUT(t=1.00)
TOP VIEW TOLERANCE:±0.05



MATING PLUG
DP400170-0038-6H

NO.	DESCRIPTION	MATERIAL	REMARKS	QTY
C	CENTER PIN	BRASS	GOLD FLASH"/Ni 40u"	1
B	SHELL	COPPER ALLOY	Ni 40u"	1
A	HOUSING	HIGH TEMP.THERMOPLASTIC	BLACK	1

		深圳市华德共创科技有限公司 Shenzhen Huade co-create Technology Co.,LTD 电话: 0755-23304126 传真: 0755-29940187			
		TITLE: DC Power Jack 4017 大电流8A, 卧式, 产品名称: 高可靠 CL=2.1			
X.X	±0.30	X.X*	±3°	APPD: 核准:	PART NO: 产品编号: DC400170-1088-2H
X.XX	±0.20	X.XX*	±2°	CHECK: 校对: 王建业	DATE SCALE UNIT CODE NUMBER
X.XXX	±0.10	X.XXX*	±1°	DRAW: 绘图: 黄艳兰	2016-03-12 1:1 mm A001