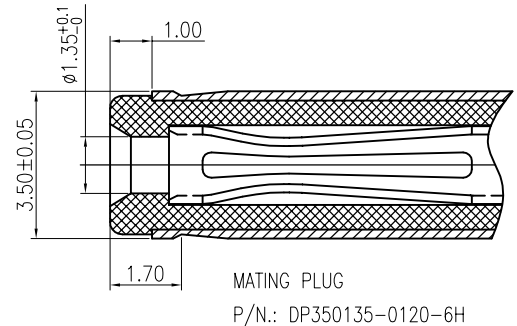
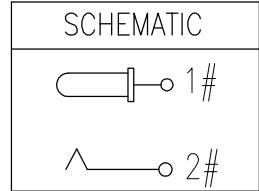
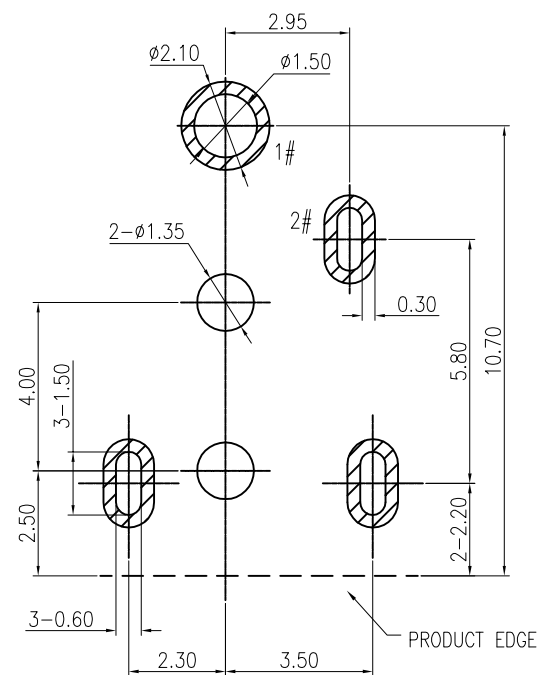
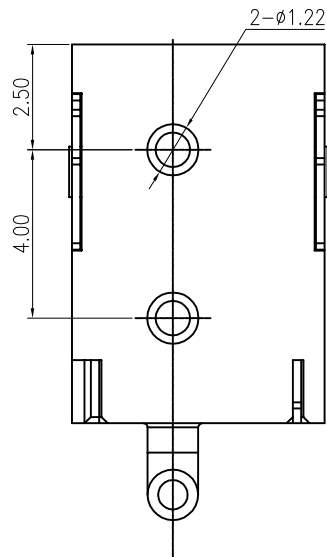


| 修订<br>REV<br>NO | 标记<br>MARK | 修改摘要<br>REVISION DESCRIPTION | 签名<br>SIGNATURE | 日期<br>DATE |
|-----------------|------------|------------------------------|-----------------|------------|
|                 |            | NEW DWG                      |                 | 2016-03-12 |




| NO. | DESCRIPTION | QTY | MATERIAL   | PLATING       |
|-----|-------------|-----|------------|---------------|
| D   | PIN         | 1   | HBi59      | Gold flash/Ni |
| C   | CURVE PIECE | 1   | SUS 304    | Ni            |
| B   | SPRING      | 1   | C5191      | Sn/Ni         |
| A   | HOUSING     | 1   | PA46 BLACK |               |

**SPECIFICATION**


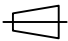
- 1.Rating : DC 12V, 3.0A;
- 2.Contact resistance: 30mΩ MAX;
- 3.Insulation resistance: 100MΩ MIN.;
- 4.Withstand voltage: 500VAC ;
- 5.Insertion and extraction force: 3-20N
- 6.life test: 5,000 cycles.

RECOMMENDED PCB LAYOUT  
TOP VIEW TOLERANCE:±0.05



**深圳市华德共创科技有限公司**  
Shenzhen Huade co-create Technology Co.,LTD  
电话: 0755-23304126 传真: 0755-29940187

| -TOLERANCES-<br>UNLESS OTHERWISE SPECIFIED<br>公差参数表 |       | TITLE: DC Power Jack 35135 大电流5A, 卧<br>产品名称: 式, 高可靠 CL=2.3 |     |
|---|-------|--|-----|
| X.X   | ±0.30 | X.X*   | ±3° |
| X.XX  | ±0.20 | X.XX*  | ±2° |
| X.XXX   | ±0.10 | X.XXX*   | ±1° |

|                   |   |                                    |       |      |             |
|-------------------|---|------------------------------------|-------|------|-------------|
| APPD:<br>核准:      |   | PART NO:<br>产品编号: DC350135-0832-2H |       |      |             |
| CHECK:<br>校对: 王建业 |   | DATE                               | SCALE | UNIT | CODE NUMBER |
| DRAW:<br>绘图: 黄艳兰  |   | 2016-03-12                         | 1:1   | mm   | A001        |