



AiP74HC/HCT139

Dual 2-to-4 Line Decoder/Demultiplexer

Product Specification

Specification Revision History:

Version	Date	Description
2012-06-A1	2012-06	New
2021-11-A2	2021-11	Modify Ordering Information; Modify ambient temperature to -40°C~+105°C and add electrical characteristics of -40°C~+105°C
2021-12-A3	2021-12	Modify Ordering Information



1、 General Description

The AiP74HC/HCT139 decodes two binary weighted address inputs ($nA0$, $nA1$) to four mutually exclusive outputs ($n\bar{Y}0$ to $n\bar{Y}3$). Each decoder features an enable input ($n\bar{E}$). When $n\bar{E}$ is HIGH all outputs are forced HIGH. The enable input can be used as the data input for a 1-to-4 demultiplexer application. Inputs include clamp diodes. This enables the use of current limiting resistors to interface inputs to voltages in excess of V_{CC} .

Features:

- Input levels:
 - For AiP74HC139: CMOS level
 - For AiP74HCT139: TTL level
- Demultiplexing capability
- 2 independent 2-to-4 decoders
- Multifunction capability
- Suitable for memory decoding, data routing or code conversion
- Active LOW mutually exclusive outputs
- Specified from -40°C to $+105^{\circ}\text{C}$
- Packaging information: DIP16/SOP16/TSSOP16

**Ordering Information:****Tube packing specifications:**

Part number	Packaging form	Marking code	Tube quantity	Boxed tube quantity	Boxed quantity	Notes
AiP74HC139DA16.TB	DIP16	74HC139	25 PCS/tube	40 tube/box	1000 PCS/box	Dimensions of plastic enclosure: 19.0mm×6.4mm Pin spacing: 2.54mm
AiP74HCT139DA16.TB	DIP16	74HCT139	25 PCS/tube	40 tube/box	1000 PCS/box	Dimensions of plastic enclosure: 19.0mm×6.4mm Pin spacing: 2.54mm
AiP74HC139SA16.TB	SOP16	74HC139	50 PCS/tube	200 tube/box	10000 PCS/box	Dimensions of plastic enclosure: 10.0mm×3.9mm Pin spacing: 1.27mm
AiP74HCT139SA16.TB	SOP16(1)	74HCT139	50 PCS/tube	200 tube/box	10000 PCS/box	Dimensions of plastic enclosure: 10.0mm×3.9mm Pin spacing: 1.27mm
AiP74HCT139SA16.TB	SOP16(2)	74HCT139	50 PCS/tube	100 tube/box	5000 PCS/box	Dimensions of plastic enclosure: 10.0mm×3.9mm Pin spacing: 1.27mm
AiP74HC139TA16.TB	TSSOP16	74HC139	96 PCS/tube	200 tube/box	19200 PCS/box	Dimensions of plastic enclosure: 5.0mm×4.4mm Pin spacing: 0.65mm
AiP74HCT139TA16.TB	TSSOP16	74HCT139	96 PCS/tube	200 tube/box	19200 PCS/box	Dimensions of plastic enclosure: 5.0mm×4.4mm Pin spacing: 0.65mm

**Reel packing specifications:**

Part number	Packaging form	Marking code	Reel quantity	Boxed reel quantity	Notes
AiP74HC139SA16.TR	SOP16	74HC139	4000 PCS/reel	8000 PCS/box	Dimensions of plastic enclosure: 10.0mm×3.9mm Pin spacing:1.27mm
AiP74HCT139SA16.TR	SOP16	74HCT139	4000 PCS/reel	8000 PCS/box	Dimensions of plastic enclosure: 10.0mm×3.9mm Pin spacing:1.27mm
AiP74HC139TA16.TR	TSSOP16	74HC139	5000 PCS/reel	10000 PCS/box	Dimensions of plastic enclosure: 5.0mm×4.4mm Pin spacing:0.65mm
AiP74HCT139TA16.TR	TSSOP16	74HCT139	5000 PCS/reel	10000 PCS/box	Dimensions of plastic enclosure: 5.0mm×4.4mm Pin spacing:0.65mm

Note: If the physical information is inconsistent with the ordering information, please refer to the actual product.



2、Block Diagram And Pin Description

2.1、Block Diagram

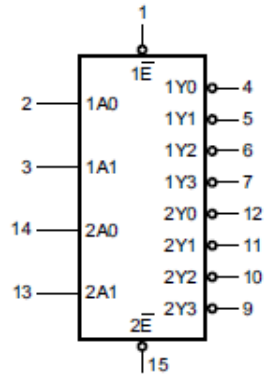


Figure 1. Logic symbol

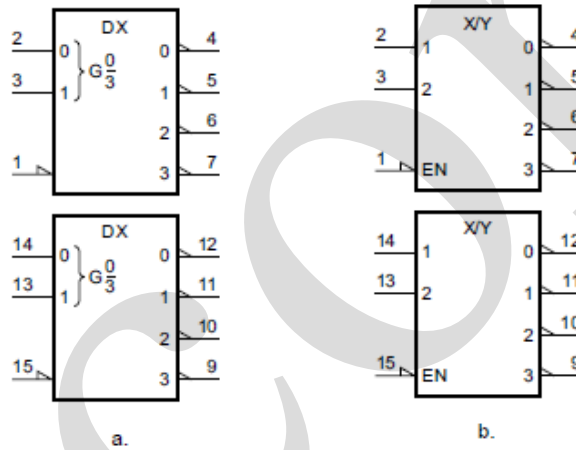


Figure 2. IEC logic symbol

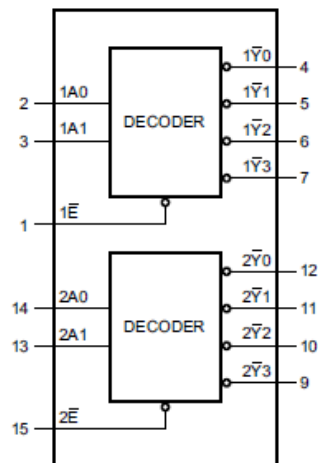


Figure 3. Functional diagram

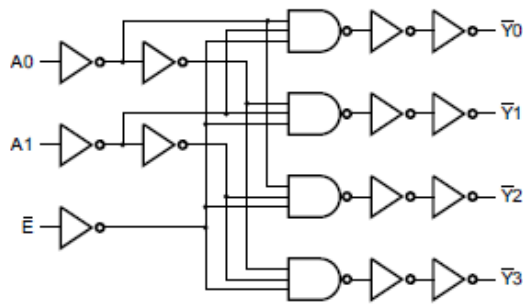
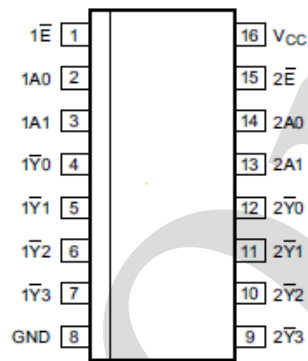


Figure 4. Logic diagram (one decoder/demultiplexer)

2.2. Pin Configurations



2.3. Pin Description

Pin No.	Pin Name	Description
1	$\overline{1E}$	enable input (active LOW)
2	1A0	address input
3	1A1	address input
4	$\overline{1Y0}$	output (active LOW)
5	$\overline{1Y1}$	output (active LOW)
6	$\overline{1Y2}$	output (active LOW)
7	$\overline{1Y3}$	output (active LOW)
8	GND	ground (0V)
9	$\overline{2Y3}$	output (active LOW)
10	$\overline{2Y2}$	output (active LOW)
11	$\overline{2Y1}$	output (active LOW)
12	$\overline{2Y0}$	output (active LOW)
13	2A1	address input
14	2A0	address input
15	$\overline{2E}$	enable input (active LOW)
16	V _{CC}	supply voltage



2.4、Function Table

Control	Input		Output			
	nA1	nA0	nY3	nY2	nY1	nY0
H	X	X	H	H	H	H
L	L	L	H	H	H	L
L	L	H	H	H	L	H
L	H	L	H	L	H	H
L	H	H	L	H	H	H

Note: H=HIGH voltage level; L=LOW voltage level; X=don't care.

3、Electrical Parameter

3.1、Absolute Maximum Ratings

(Voltages are referenced to GND (ground=0V), unless otherwise specified.)

Parameter	Symbol	Conditions	Min.	Max.	Unit
supply voltage	V_{CC}	-	-0.5	+7.0	V
input clamping current	I_{IK}	$V_I < -0.5V$ or $V_I > V_{CC}+0.5V$	-	± 20	mA
output clamping current	I_{OK}	$V_O < -0.5V$ or $V_O > V_{CC}+0.5V$	-	± 20	mA
output current	I_O	$V_O = -0.5V$ to $V_{CC}+0.5V$	-	± 25	mA
supply current	I_{CC}	-	-	50	mA
ground current	I_{GND}	-	-50	-	mA
storage temperature	T_{stg}	-	-65	+150	$^{\circ}C$
total power dissipation	P_{tot}	-	-	500	mW
soldering temperature	T_L	10s	DIP	245	$^{\circ}C$
			SOP	250	

Note:

[1] For DIP16 packages: above $70^{\circ}C$ the value of P_{tot} derates linearly with 12mW/K.

[2] For SOP16 packages: above $70^{\circ}C$ the value of P_{tot} derates linearly with 8mW/K.

[3] For (T)SSOP16 packages: above $60^{\circ}C$ the value of P_{tot} derates linearly with 5.5mW/K.



3.2、Recommended Operating Conditions

Parameter	Symbol	Conditions	Min.	Typ.	Max.	Unit
AiP74HC139						
supply voltage	V_{CC}	-	2.0	5.0	6.0	V
input voltage	V_I	-	0	-	V_{CC}	V
output voltage	V_O	-	0	-	V_{CC}	V
input transition rise and fall rate	$\Delta t/\Delta V$	$V_{CC}=2.0V$	-	-	625	ns/V
		$V_{CC}=4.5V$	-	1.67	139	ns/V
		$V_{CC}=6.0V$	-	-	83	ns/V
ambient temperature	T_{amb}	-	-40	-	+105	°C
AiP74HCT139						
supply voltage	V_{CC}	-	4.5	5.0	5.5	V
input voltage	V_I	-	0	-	V_{CC}	V
output voltage	V_O	-	0	-	V_{CC}	V
input transition rise and fall rate	$\Delta t/\Delta V$	$V_{CC}=4.5V$	-	1.67	139	ns/V
ambient temperature	T_{amb}	-	-40	-	+105	°C

3.3、Electrical Characteristics

3.3.1、DC Characteristics 1

($T_{amb}=25^{\circ}C$, voltages are referenced to GND (ground=0V), unless otherwise specified.)

Parameter	Symbol	Conditions	Min.	Typ.	Max.	Unit	
AiP74HC139							
HIGH-level input voltage	V_{IH}	$V_{CC}=2.0V$	1.5	1.2	-	V	
		$V_{CC}=4.5V$	3.15	2.4	-	V	
		$V_{CC}=6.0V$	4.2	3.2	-	V	
LOW-level input voltage	V_{IL}	$V_{CC}=2.0V$	-	0.8	0.5	V	
		$V_{CC}=4.5V$	-	2.1	1.35	V	
		$V_{CC}=6.0V$	-	2.8	1.8	V	
HIGH-level output voltage	V_{OH}	$V_I=V_{IH}$ or V_{IL}	$I_O=-20\mu A$; $V_{CC}=2.0V$	1.9	2.0	-	V
			$I_O=-20\mu A$; $V_{CC}=4.5V$	4.4	4.5	-	V
			$I_O=-20\mu A$; $V_{CC}=6.0V$	5.9	6.0	-	V
			$I_O=-4.0mA$; $V_{CC}=4.5V$	3.98	4.32	-	V
			$I_O=-5.2mA$; $V_{CC}=6.0V$	5.48	5.81	-	V
LOW-level output voltage	V_{OL}	$V_I=V_{IH}$ or V_{IL}	$I_O=20\mu A$; $V_{CC}=2.0V$	-	0	0.1	V
			$I_O=20\mu A$; $V_{CC}=4.5V$	-	0	0.1	V
			$I_O=20\mu A$; $V_{CC}=6.0V$	-	0	0.1	V
			$I_O=4.0mA$; $V_{CC}=4.5V$	-	0.15	0.26	V
			$I_O=5.2mA$; $V_{CC}=6.0V$	-	0.16	0.26	V
input leakage current	I_I	$V_I=V_{CC}$ or GND; $V_{CC}=6.0V$	-	-	± 0.1	μA	
OFF-state output current	I_{OZ}	$V_I=V_{IH}$ or V_{IL} ; $V_O=V_{CC}$ or GND; $V_{CC}=6.0V$	-	-	± 0.5	μA	
supply current	I_{CC}	$V_I=V_{CC}$ or GND; $I_O=0A$; $V_{CC}=6.0V$	-	-	8.0	μA	



input capacitance	C_I	-	-	3.5	-	pF	
AiP74HCT139							
HIGH-level input voltage	V_{IH}	$V_{CC}=4.5V$ to $5.5V$	2.0	1.6	-	V	
LOW-level input voltage	V_{IL}	$V_{CC}=4.5V$ to $5.5V$	-	1.2	0.8	V	
HIGH-level output voltage	V_{OH}	$V_I=V_{IH}$ or V_{IL} ; $V_{CC}=4.5V$	$I_O=-20\mu A$	4.4	4.5	-	V
			$I_O=-4.0mA$	3.98	4.32	-	V
LOW-level output voltage	V_{OL}	$V_I=V_{IH}$ or V_{IL} ; $V_{CC}=4.5V$	$I_O=20\mu A$	-	0	0.1	V
			$I_O=4.0mA$	-	0.15	0.26	V
input leakage current	I_I	$V_I=V_{CC}$ or GND; $V_{CC}=5.5V$	-	-	± 0.1	μA	
OFF-state output current	I_{OZ}	$V_I=V_{IH}$ or V_{IL} ; $V_O=V_{CC}$ or GND; $V_{CC}=5.5V$	-	-	± 0.5	μA	
supply current	I_{CC}	$V_I=V_{CC}$ or GND; $I_O=0A$; $V_{CC}=5.5V$	-	-	8.0	μA	
additional supply current	ΔI_{CC}	$V_I=V_{CC}-2.1V$; other inputs at V_{CC} or GND; $I_O=0A$; $V_{CC}=4.5V$ to $5.5V$	per input pin; 1An inputs	-	70	252	μA
			per input pin; 2An inputs	-	70	252	μA
			per input pin; nE inputs	-	135	486	μA
input capacitance	C_I	-	-	3.5	-	pF	

3.3.2、DC Characteristics 2

($T_{amb}=-40^{\circ}C$ to $+85^{\circ}C$, voltages are referenced to GND (ground=0V), unless otherwise specified.)

Parameter	Symbol	Conditions	Min.	Typ.	Max.	Unit	
AiP74HC139							
HIGH-level input voltage	V_{IH}	$V_{CC}=2.0V$	1.5	-	-	V	
		$V_{CC}=4.5V$	3.15	-	-	V	
		$V_{CC}=6.0V$	4.2	-	-	V	
LOW-level input voltage	V_{IL}	$V_{CC}=2.0V$	-	-	0.5	V	
		$V_{CC}=4.5V$	-	-	1.35	V	
		$V_{CC}=6.0V$	-	-	1.8	V	
HIGH-level output voltage	V_{OH}	$V_I=V_{IH}$ or V_{IL}	$I_O=-20\mu A$; $V_{CC}=2.0V$	1.9	-	-	V
			$I_O=-20\mu A$; $V_{CC}=4.5V$	4.4	-	-	V
			$I_O=-20\mu A$; $V_{CC}=6.0V$	5.9	-	-	V
			$I_O=-4.0mA$; $V_{CC}=4.5V$	3.84	-	-	V
			$I_O=-5.2mA$; $V_{CC}=6.0V$	5.34	-	-	V
LOW-level output voltage	V_{OL}	$V_I=V_{IH}$ or V_{IL}	$I_O=20\mu A$; $V_{CC}=2.0V$	-	-	0.1	V
			$I_O=20\mu A$; $V_{CC}=4.5V$	-	-	0.1	V
			$I_O=20\mu A$; $V_{CC}=6.0V$	-	-	0.1	V
			$I_O=4.0mA$; $V_{CC}=4.5V$	-	-	0.33	V
			$I_O=5.2mA$; $V_{CC}=6.0V$	-	-	0.33	V
input leakage current	I_I	$V_I=V_{CC}$ or GND; $V_{CC}=6.0V$	-	-	± 1.0	μA	
OFF-state	I_{OZ}	$V_I=V_{IH}$ or V_{IL} ; $V_O=V_{CC}$ or GND;	-	-	± 5.0	μA	



output current		$V_{CC}=6.0V$						
supply current	I_{CC}	$V_I=V_{CC}$ or GND; $I_O=0A$; $V_{CC}=6.0V$			-	-	80	uA
AiP74HCT139								
HIGH-level input voltage	V_{IH}	$V_{CC}=4.5V$ to 5.5V			2.0	-	-	V
LOW-level input voltage	V_{IL}	$V_{CC}=4.5V$ to 5.5V			-	-	0.8	V
HIGH-level output voltage	V_{OH}	$V_I=V_{IH}$ or V_{IL} ; $V_{CC}=4.5V$	$I_O=-20uA$	4.4	-	-	V	
			$I_O=-4.0mA$	3.84	-	-	V	
LOW-level output voltage	V_{OL}	$V_I=V_{IH}$ or V_{IL} ; $V_{CC}=4.5V$	$I_O=20uA$	-	-	0.1	V	
			$I_O=4.0mA$	-	-	0.33	V	
input leakage current	I_I	$V_I=V_{CC}$ or GND; $V_{CC}=5.5V$			-	-	± 1.0	uA
OFF-state output current	I_{OZ}	$V_I=V_{IH}$ or V_{IL} ; $V_O=V_{CC}$ or GND; $V_{CC}=5.5V$			-	-	± 5.0	uA
supply current	I_{CC}	$V_I=V_{CC}$ or GND; $I_O=0A$; $V_{CC}=5.5V$			-	-	80	uA
additional supply current	ΔI_{CC}	$V_I=V_{CC}-2.1V$; other inputs at V_{CC} or GND; $I_O=0A$; $V_{CC}=4.5V$ to 5.5V	per input pin; 1An inputs	-	-	315	uA	
			per input pin; 2An inputs	-	-	315	uA	
			per input pin; nE inputs	-	-	607.5	uA	

3.3.3、DC Characteristics 3

($T_{amb}=-40^{\circ}C$ to $+105^{\circ}C$, voltages are referenced to GND (ground=0V), unless otherwise specified.)

Parameter	Symbol	Conditions	Min.	Typ.	Max.	Unit		
AiP74HC139								
HIGH-level input voltage	V_{IH}	$V_{CC}=2.0V$	1.5	-	-	V		
		$V_{CC}=4.5V$	3.15	-	-	V		
		$V_{CC}=6.0V$	4.2	-	-	V		
LOW-level input voltage	V_{IL}	$V_{CC}=2.0V$	-	-	0.5	V		
		$V_{CC}=4.5V$	-	-	1.35	V		
		$V_{CC}=6.0V$	-	-	1.8	V		
HIGH-level output voltage	V_{OH}	$V_I=V_{IH}$ or V_{IL}	$I_O=-20uA$; $V_{CC}=2.0V$	1.9	-	-	V	
			$I_O=-20uA$; $V_{CC}=4.5V$	4.4	-	-	V	
			$I_O=-20uA$; $V_{CC}=6.0V$	5.9	-	-	V	
			$I_O=-4.0mA$; $V_{CC}=4.5V$	3.7	-	-	V	
			$I_O=-5.2mA$; $V_{CC}=6.0V$	5.2	-	-	V	
LOW-level output voltage	V_{OL}	$V_I=V_{IH}$ or V_{IL}	$I_O=20uA$; $V_{CC}=2.0V$	-	-	0.1	V	
			$I_O=20uA$; $V_{CC}=4.5V$	-	-	0.1	V	
			$I_O=20uA$; $V_{CC}=6.0V$	-	-	0.1	V	
			$I_O=4.0mA$; $V_{CC}=4.5V$	-	-	0.4	V	
			$I_O=5.2mA$; $V_{CC}=6.0V$	-	-	0.4	V	
input leakage current	I_I	$V_I=V_{CC}$ or GND; $V_{CC}=6.0V$			-	-	± 1.0	uA
OFF-state output current	I_{OZ}	$V_I=V_{IH}$ or V_{IL} ; $V_O=V_{CC}$ or GND; $V_{CC}=6.0V$			-	-	± 10	uA



supply current	I_{CC}	$V_I=V_{CC}$ or GND; $I_O=0A$; $V_{CC}=6.0V$	-	-	160	μA	
AiP74HCT139							
HIGH-level input voltage	V_{IH}	$V_{CC}=4.5V$ to $5.5V$	2.0	-	-	V	
LOW-level input voltage	V_{IL}	$V_{CC}=4.5V$ to $5.5V$	-	-	0.8	V	
HIGH-level output voltage	V_{OH}	$V_I=V_{IH}$ or V_{IL} ; $V_{CC}=4.5V$	$I_O=-20\mu A$	4.4	-	-	V
			$I_O=-4.0mA$	3.7	-	-	V
LOW-level output voltage	V_{OL}	$V_I=V_{IH}$ or V_{IL} ; $V_{CC}=4.5V$	$I_O=20\mu A$	-	-	0.1	V
			$I_O=4.0mA$	-	-	0.4	V
input leakage current	I_I	$V_I=V_{CC}$ or GND; $V_{CC}=5.5V$	-	-	± 1.0	μA	
OFF-state output current	I_{OZ}	$V_I=V_{IH}$ or V_{IL} ; $V_O=V_{CC}$ or GND; $V_{CC}=5.5V$	-	-	± 10	μA	
supply current	I_{CC}	$V_I=V_{CC}$ or GND; $I_O=0A$; $V_{CC}=5.5V$	-	-	160	μA	
additional supply current	ΔI_{CC}	$V_I=V_{CC}-2.1V$; other inputs at V_{CC} or GND; $I_O=0A$; $V_{CC}=4.5V$ to $5.5V$	per input pin; 1An inputs	-	-	343	μA
			per input pin; 2An inputs	-	-	343	μA
			per input pin; $\bar{n}E$ inputs	-	-	661.5	μA

3.3.4、AC Characteristics 1

($T_{amb}=25^{\circ}C$, GND =0V, $C_L=50pF$, unless otherwise specified.)

Parameter	Symbol	Conditions	Min.	Typ.	Max.	Unit	
AiP74HC139							
propagation delay	t_{pd}	nAn to $\bar{n}Yn$; see Figure 6 ^[1]	$V_{CC}=2.0V$	-	39	145	ns
			$V_{CC}=4.5V$	-	14	29	ns
			$V_{CC}=5.0V$; $C_L=15pF$	-	11	-	ns
		$\bar{n}E$ to $\bar{n}Yn$; see Figure 7 ^[2]	$V_{CC}=6.0V$	-	11	25	ns
			$V_{CC}=2.0V$	-	33	135	ns
			$V_{CC}=4.5V$	-	12	27	ns
			$V_{CC}=5.0V$; $C_L=15pF$	-	10	-	ns
transition time	t_t	$\bar{n}Yn$; see Figure 6 and Figure 7 ^[2]	$V_{CC}=2.0V$	-	19	75	ns
			$V_{CC}=4.5V$	-	7	15	ns
			$V_{CC}=6.0V$	-	6	13	ns
power dissipation capacitance	C_{PD}	$C_L=50pF$; $f=1MHz$; $V_I=GND$ to V_{CC} ^[3]	-	42	-	pF	
AiP74HCT139							
propagation delay	t_{pd}	nAn to $\bar{n}Yn$; see Figure 6 ^[1]	$V_{CC}=4.5V$	-	16	34	ns
			$V_{CC}=5.0V$; $C_L=15pF$	-	13	-	ns
		$\bar{n}E$ to $\bar{n}Yn$; see Figure 7 ^[1]	$V_{CC}=4.5V$	-	16	34	ns
			$V_{CC}=5.0V$; $C_L=15pF$	-	13	-	ns
transition time	t_t	$\bar{n}Yn$; $V_{CC}=4.5V$; see Figure 6 and Figure 7 ^[2]	-	7	15	ns	



power dissipation capacitance	C_{PD}	$C_L=50\text{pF}; f=1\text{MHz}; V_I=GND \text{ to } V_{CC}-1.5\text{V}^{[3]}$	-	44	-	pF
-------------------------------	----------	--	---	----	---	----

Note:

[1] t_{pd} is the same as t_{PLH} and t_{PHL} .

[2] t_t is the same as t_{THL} and t_{TLH} .

[3] C_{PD} is used to determine the dynamic power dissipation (P_D in uW).

$$P_D = C_{PD} \times V_{CC}^2 \times f_i \times N + \sum (C_L \times V_{CC}^2 \times f_o)$$

where:

f_i =input frequency in MHz;

f_o =output frequency in MHz;

C_L =output load capacitance in pF;

V_{CC} =supply voltage in V;

N =number of inputs switching;

$\sum (C_L \times V_{CC}^2 \times f_o)$ =sum of outputs.

3.3.5、AC Characteristics 2

($T_{amb}=-40^\circ\text{C}$ to $+85^\circ\text{C}$, $GND=0\text{V}$, $C_L=50\text{pF}$, unless otherwise specified.)

Parameter	Symbol	Conditions	Min.	Typ.	Max.	Unit	
AiP74HC139							
propagation delay	t_{pd}	nAn to n \bar{Y} n; see Figure 6 ^[1]	$V_{CC}=2.0\text{V}$	-	-	180	ns
			$V_{CC}=4.5\text{V}$	-	-	36	ns
			$V_{CC}=6.0\text{V}$	-	-	31	ns
		n \bar{E} to n \bar{Y} n; see Figure 7 ^[1]	$V_{CC}=2.0\text{V}$	-	-	170	ns
			$V_{CC}=4.5\text{V}$	-	-	34	ns
			$V_{CC}=6.0\text{V}$	-	-	29	ns
transition time	t_t	n \bar{Y} n; see Figure 6 and Figure 7 ^[2]	$V_{CC}=2.0\text{V}$	-	-	95	ns
			$V_{CC}=4.5\text{V}$	-	-	19	ns
			$V_{CC}=6.0\text{V}$	-	-	16	ns
AiP74HCT139							
propagation delay	t_{pd}	nAn to n \bar{Y} n; see Figure 6 ^[1]	$V_{CC}=4.5\text{V}$	-	-	43	ns
		n \bar{E} to n \bar{Y} n; see Figure 7 ^[1]	$V_{CC}=4.5\text{V}$	-	-	43	ns
transition time	t_t	n \bar{Y} n; $V_{CC}=4.5\text{V}$; see Figure 6 and Figure 7 ^[2]		-	-	19	ns

Note:

[1] t_{pd} is the same as t_{PLH} and t_{PHL} .

[2] t_t is the same as t_{THL} and t_{TLH} .



3.3.6、 AC Characteristics 3

($T_{amb}=-40^{\circ}C$ to $+105^{\circ}C$, $GND=0V$, $C_L=50pF$, unless otherwise specified.)

Parameter	Symbol	Conditions	Min.	Typ.	Max.	Unit	
AiP74HC139							
propagation delay	t_{pd}	nAn to n \bar{Y} n; see Figure 6 ^[1]	$V_{CC}=2.0V$	-	-	220	ns
			$V_{CC}=4.5V$	-	-	44	ns
			$V_{CC}=6.0V$	-	-	38	ns
		n \bar{E} to n \bar{Y} n; see Figure 7 ^[1]	$V_{CC}=2.0V$	-	-	205	ns
			$V_{CC}=4.5V$	-	-	41	ns
			$V_{CC}=6.0V$	-	-	35	ns
transition time	t_t	n \bar{Y} n; see Figure 6 and Figure 7 ^[2]	$V_{CC}=2.0V$	-	-	110	ns
			$V_{CC}=4.5V$	-	-	22	ns
			$V_{CC}=6.0V$	-	-	19	ns
AiP74HCT139							
propagation delay	t_{pd}	nAn to n \bar{Y} n; see Figure 6 ^[1]	$V_{CC}=4.5V$	-	-	51	ns
		n \bar{E} to n \bar{Y} n; see Figure 7 ^[1]	$V_{CC}=4.5V$	-	-	51	ns
transition time	t_t	n \bar{Y} n; $V_{CC}=4.5V$; see Figure 6 and Figure 7 ^[2]	-	-	22	ns	

Note:

[1] t_{pd} is the same as t_{PLH} and t_{PHL} .

[2] t_t is the same as t_{THL} and t_{TLH} .

4、 Testing Circuit

4.1、 AC Testing Circuit

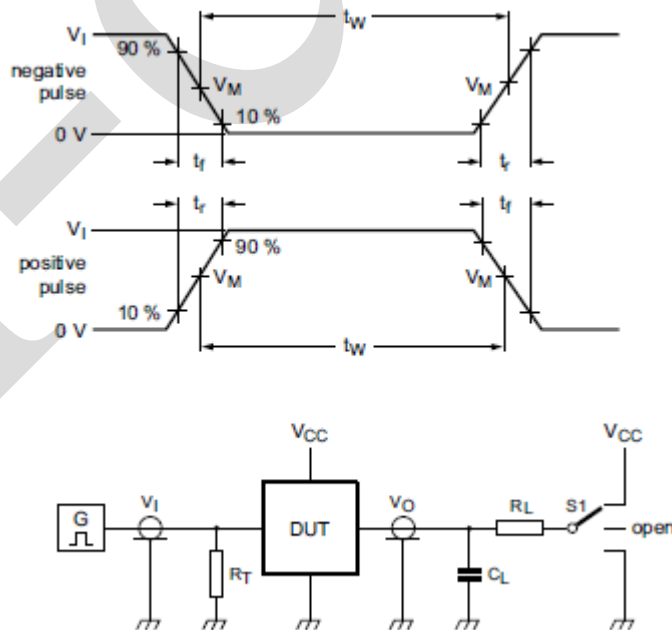


Figure 5. Test circuit for measuring switching times



Definitions for test circuit:

C_L =Load capacitance including jig and probe capacitance.

R_T =Termination resistance should be equal to the output impedance Z_o of the pulse generator.

R_L =Load resistance.

S1=Test selection switch.

4.2、 AC Testing Waveforms

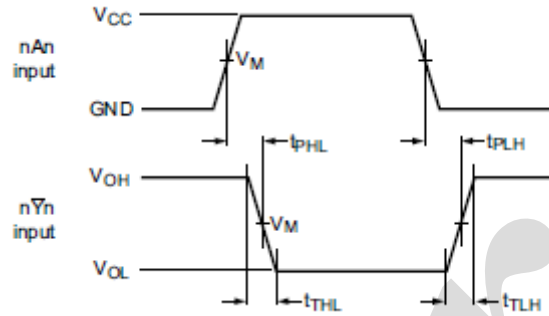


Figure 6. Propagation delay input (nA_n) to output (nY_n) and transition time output (nY_n)

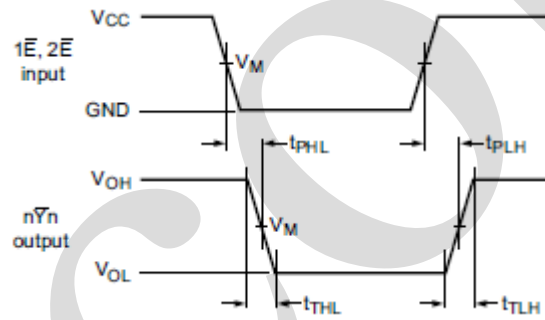


Figure 7. Propagation delay enable input (nE) to output (nY_n) and transition time output (nY_n)

4.3、 Measurement Points

Type	Input	Output
	V_M	V_M
AiP74HC139	$0.5 \times V_{CC}$	$0.5 \times V_{CC}$
AiP74HCT139	1.3V	1.3V

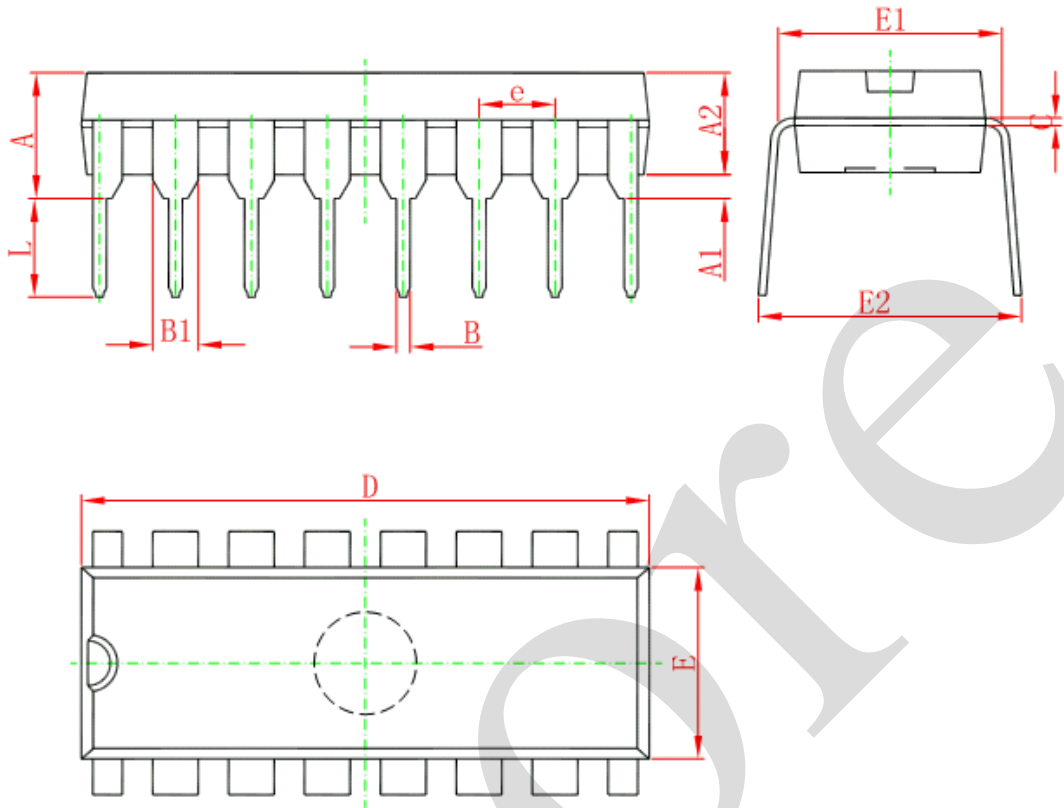
4.4、 Test Data

Type	Input		Load		S1 position		
	V_I	t_r, t_f	C_L	R_L	t_{PHL}, t_{PLH}	t_{PZH}, t_{PHZ}	t_{PZL}, t_{PLZ}
AiP74HC139	V_{CC}	6ns	15pF, 50pF	1k Ω	open	GND	V_{CC}
AiP74HCT139	3V	6ns	15pF, 50pF	1k Ω	open	GND	V_{CC}



5、Package Information

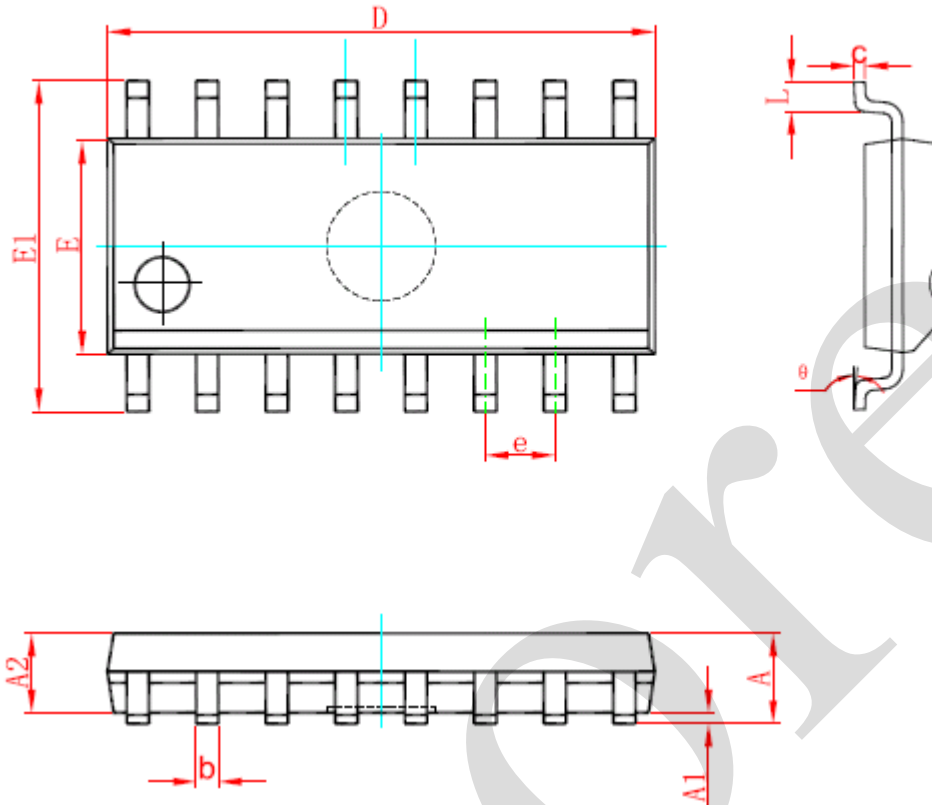
5.1、DIP16



Symbol	Dimensions In Millimeters		Dimensions In Inches	
	Min	Max	Min	Max
A	3.710	4.310	0.146	0.170
A1	0.510		0.020	
A2	3.200	3.600	0.126	0.142
B	0.380	0.570	0.015	0.022
B1	1.524 (BSC)		0.060 (BSC)	
C	0.204	0.360	0.008	0.014
D	18.800	19.200	0.740	0.756
E	6.200	6.600	0.244	0.260
E1	7.320	7.920	0.288	0.312
e	2.540 (BSC)		0.100 (BSC)	
L	3.000	3.600	0.118	0.142
E2	8.400	9.000	0.331	0.354



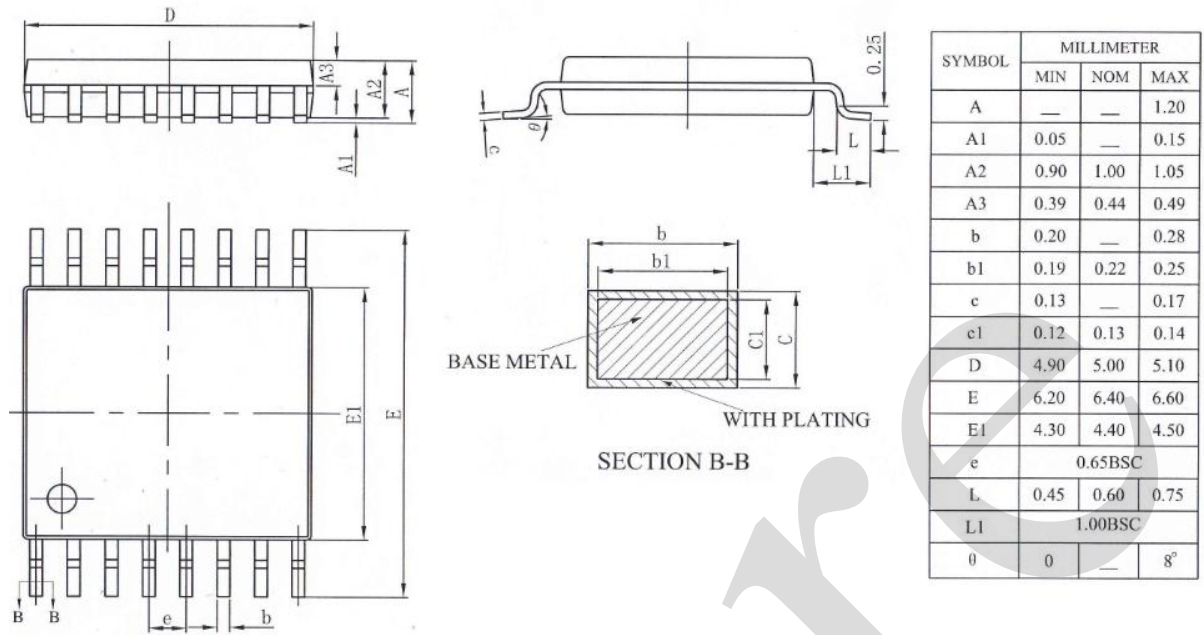
5.2、SOP16



Symbol	Dimensions In Millimeters		Dimensions In Inches	
	Min	Max	Min	Max
A	1.350	1.750	0.053	0.069
A1	0.100	0.250	0.004	0.010
A2	1.350	1.550	0.053	0.061
b	0.330	0.510	0.013	0.020
c	0.170	0.250	0.007	0.010
D	9.800	10.200	0.386	0.402
E	3.800	4.000	0.150	0.157
E1	5.800	6.200	0.228	0.244
e	1.270 (BSC)		0.050 (BSC)	
L	0.400	1.270	0.016	0.050
θ	0°	8°	0°	8°



5.3、TSSOP16





6、 Statements And Notes

6.1、 The name and content of Hazardous substances or Elements in the product

Part name	Hazardous substances or Elements									
	Lead and lead compounds	Mercury and mercury compounds	Cadmium and cadmium compounds	Hexavalent chromium compounds	Polybrominated biphenyls	Polybrominated biphenyl ethers	Dibutyl phthalate	Butylbenzyl phthalate	Di-2-ethylhexyl phthalate	Diisobutyl phthalate
Lead frame	○	○	○	○	○	○	○	○	○	○
Plastic resin	○	○	○	○	○	○	○	○	○	○
Chip	○	○	○	○	○	○	○	○	○	○
The lead	○	○	○	○	○	○	○	○	○	○
Plastic sheet installed	○	○	○	○	○	○	○	○	○	○
explanation	○: Indicates that the content of hazardous substances or elements in the detection limit of the following the SJ/T11363-2006 standard. ×: Indicates that the content of hazardous substances or elements exceeding the SJ/T11363-2006 Standard limit requirements.									

6.2、 Notion

Recommended carefully reading this information before the use of this product;

The information in this document are subject to change without notice;

This information is using to the reference only, the company is not responsible for any loss;

The company is not responsible for the any infringement of the third party patents or other rights of the responsibility.