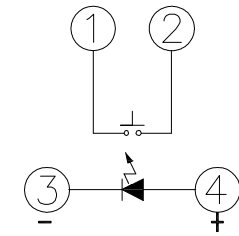
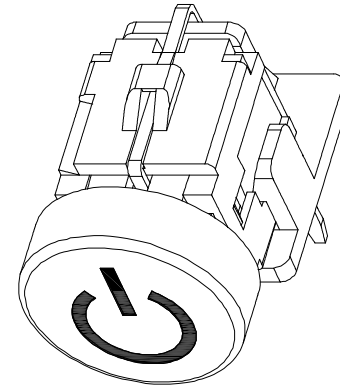
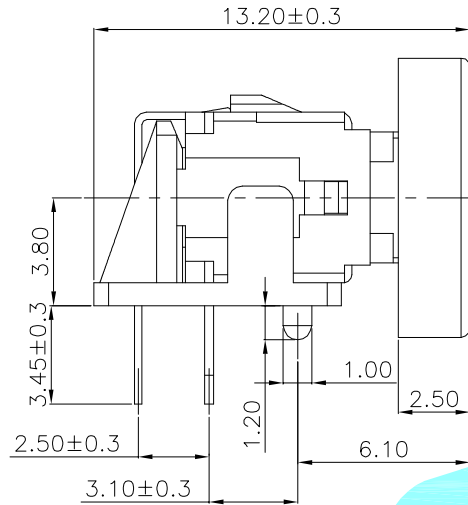
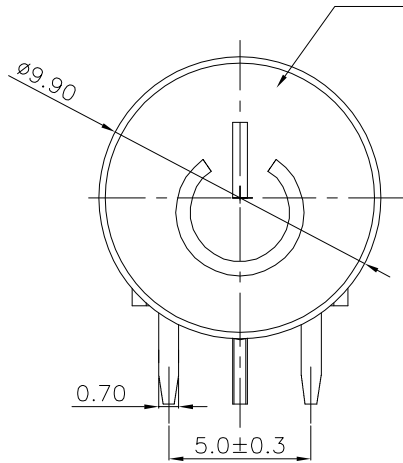
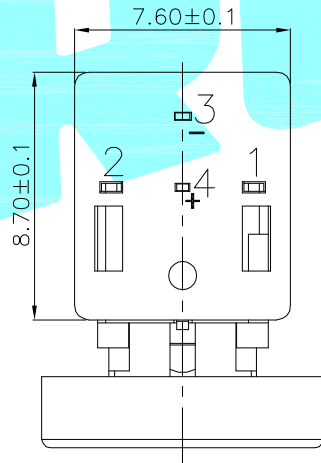
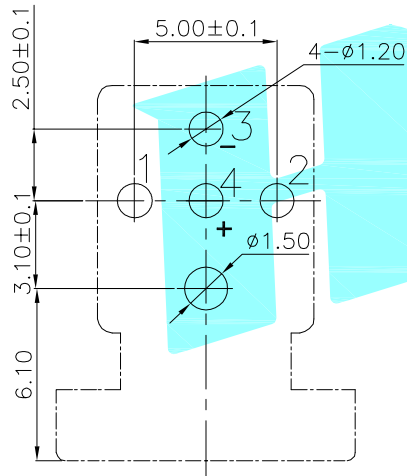


ROHS

喷银油，加大帽子加尾缀A



Circuit Diagram



PCBLayout(pattern Side)

LED colour(LED颜色)	Part No. (料号)
Whiter(白色)	K6-6277D-01A
Red(红色)	K6-6277D-02A
Blue(蓝色)	K6-6277D-03A
Green(绿色)	K6-6277D-04A
Yellow(黄色)	K6-6277D-05A
Orange(橙色)	K6-6277D-06A
Jade Green(翠绿色)	K6-6277D-07A
Red(红色)/Blue(蓝色)	K6-6277D-23A

Typical Specifications

1. Rating : DC 30V 0.3A
2. Operating Force : 250 ± 50 gf
3. Contact Resistance : 100mΩMAX
4. Life : 100,000 Cycles Min

②	Terminal	4	Phosphor bronze	Au Plating					
①	Housing	1	Nylon	Black					
ITEM	PART NAME	TER'NO.	QTY.	MATERIAL	FINISHING	REMARK			
APPROVALS			DATE		 ELECTRONICS CO.,LTD				
DRAWN	J.X.Zhang	2018/08/01		TITLE: 加大款, 银色帽子					
CHECKED					PART NO. K6-6277D-□□A				
APPROVALS									
TOLERANCES ARE		30~以上 10~30 5~10 ~ 5	±0.30 ±0.20 ±0.15 ±0.10	ANGLE	UNIT: mm	SCALE: 1:1			
ECN NO.	REV.	DATE.	NEW DESCRIPTION.	CHANGE.	CHECK.	APPRO.	DRAWING NO.	PROJECT	SHEET 1 OF 1