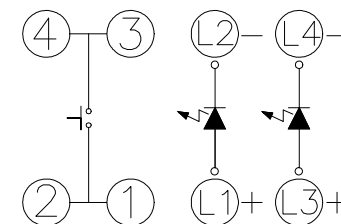
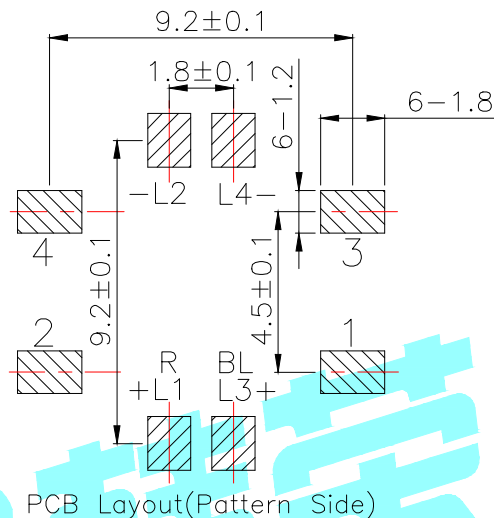
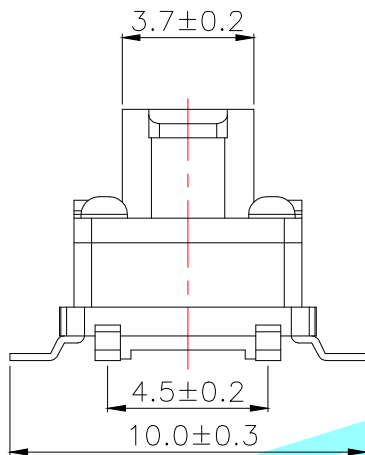
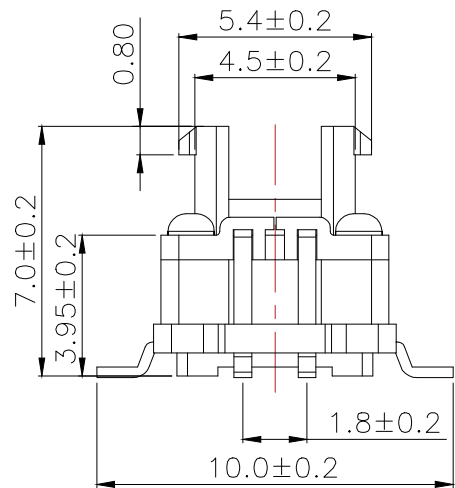
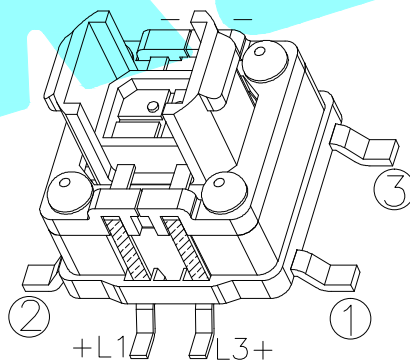
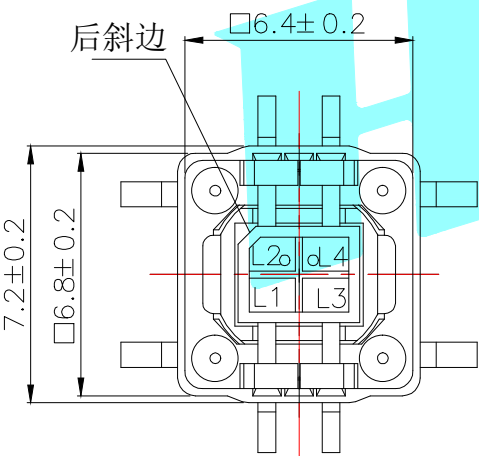


ROHS



Circuit Diagram



LED colour(LED颜色)	Part No. 料号
Red(红色)/Blue(蓝色)	K6-6151S-23
Red(红色)/Green(绿色)	K6-6151S-24

Rated Values: 30V DC 30mA;
 Contact Resistance: $\leq 0.05\Omega$;
 Dielectric Strength: 250V AC;
 Insulation Resistance: $\geq 100M\Omega$;
 Operating Force: 260 \pm 50gf;
 Life: 100,000 cycles;

②	Terminal	—	Phosphor bronze	Ag Plating	—			
①	Housing	—	PPA	Black	—			
ITEM	PART NAME	TER'NO.	QTY.	MATERIAL	FINISHING	REMARK		
APPROVALS		DATE		 ELECTRONICS CO.,LTD				
DRAWN	LIUCAN	2021.3.29						
CHECKED			TITLE:				LED Tact Switch	
APPROVALS			PART NO.				K6-6151S	
TOLERANCES ARE	30~以上	± 0.30	ANGLE	UNIT: mm	SCALE: 1:1	PROJ:		
	10~30	± 0.20						
	5~10	± 0.15						
	~ 5	± 0.10	$\pm 2'$	DRAWING NO.		SHEET 1 OF 1		

_____	A	_____	NEW	_____	_____	_____
ECN NO.	REV.	DATE.	DESCRIPTION.	CHANGE.	CHECK.	APPRO.