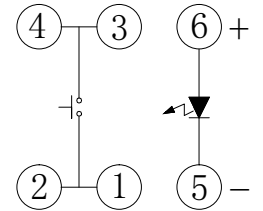
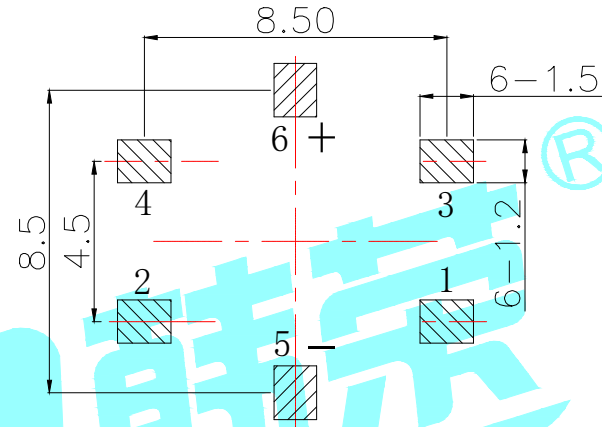
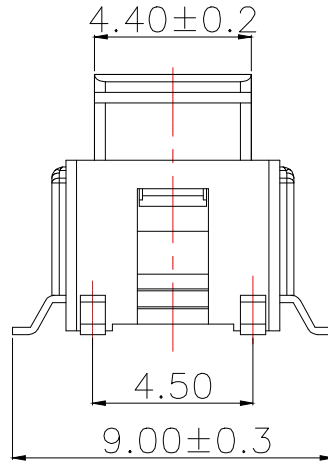
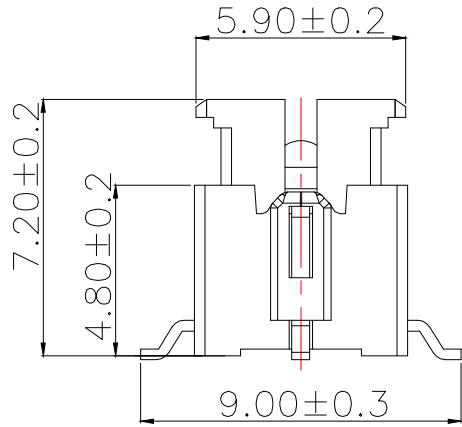
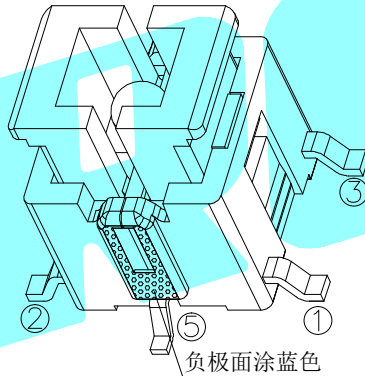
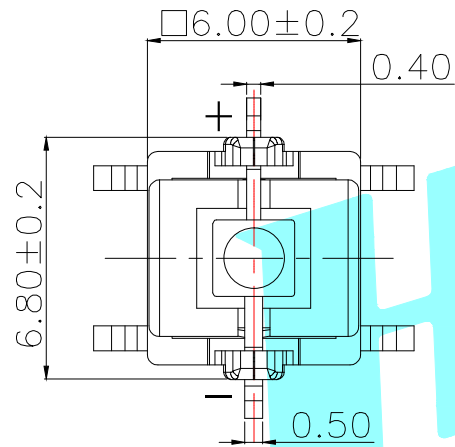


ROHS



Circuit Diagram



- NOTES:  
 1.RATING: 12VDC 50mA  
 2.CONTACT RESISTANCE: 100mΩ Max  
 3.INSULATION RESISTANCE: 100MΩ 250VAC FOR 1MIN  
 4.DIELECTRIC STRENGTH: 250VAC(50/60Hz) FOR 1MIN  
 5.LIFE TEST:100,000 CYCLES  
 6.OPERATION FORCE:250±50GF  
 7.TRAVEL:0.25±0.1mm

LED colour(LED颜色)	Part No. 料号
White(白色)	K6-6140S01-□□
Red(红色)	K6-6140S02-□□
Blue(蓝色)	K6-6140S03-□□
Green(绿色)	K6-6140S04-□□
Yellow(黄色)	K6-6140S05-□□
Orange(橙色)	K6-6140S06-□□

②	Terminal	3	Brass	Ag Plating		
①	Housing	1	PPA	Black		
ITEM	PART NAME	TER'NO.	QTY.	MATERIAL	FINISHING	REMARK
APPROVALS			DATE			
DRAWN	LIUCAN	2021.6.5				
CHECKED						
APPROVALS				TITLE:	LED Tact Switch	
				PART NO.	K6-6140S	
TOLERANCES ARE			30~以上 ±0.30	ANGLE	UNIT: mm	SCALE: 1:1
			10~30 ±0.20		PROJECT:	
			5~10 ±0.15			
			~ 5 ±0.10	±2'	SHEET 1 OF 1	

ECN NO.	REV.	DATE.	DESCRIPTION.	CHANGE.	CHECK.	APPRO.
	A		NEW			