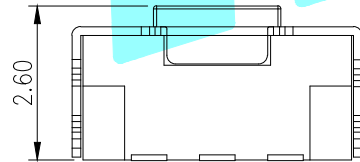
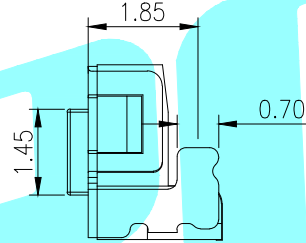
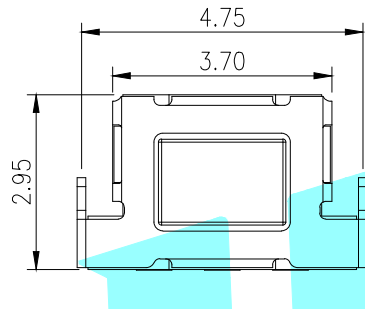
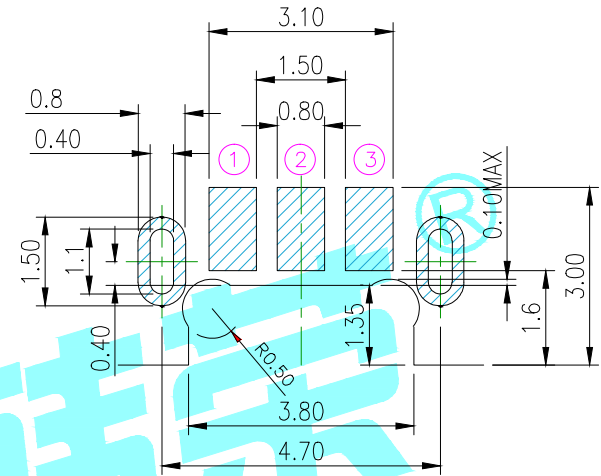


Circuit diagram



Notes:

- 1.Rating: 12V DC 50mA
- 2.Contact resistance: 50mΩ max
- 3.Insulation resistance: 100MΩ 250v AC for 1min
- 4.Dielectric strength: 250V AC(50/60hz) for 1min
- 5.Life test:100,000 Cycles
- 6.Travel:0.20±0.1mm

NO.1	
PART NO	vigor
1	90±30
2	130±30
3	180±30
4	250±30
5	350±50

NO.3-NO.4	
PART NO	NOTE
01~99	SERIAL NUMBER

NO.2	
PART NO	MATERIAL/QTY
S	SUS/1PC
D	SUS/2PCS

⑤	Terminal	—	3	Phosphor Bronze	Plating silver	—
④	Contact	—	1	SUS	Plating silver	—
③	Base	—	1	LCP	Black	—
②	Cover	—	1	Brass	Plating silver	—
①	Keystoke	—	1	LCP	Black	—
ITEM	PART NAME	TER'NO.	QTY.	MATERIAL	FINISHING	REMARK

APPROVALS		DATE	HROELECTRONICS® ELECTRONICS CO.,LTD			
DRAWN	LIUCAN	2020.5.16	TITLE:	Tact Switch		
CHECKED			PART NO.	K2-1847DT-A□□A-□□		
APPROVALS			UNIT: mm	SCALE: 1:1	PROJ:	
TOLERANCES ARE	30~以上 ±0.30	ANGLE	DRAWING NO.			
	10~30 ±0.20	±2'				
	5~10 ±0.15					
	~ 5 ±0.10					

ECN NO.	REV.	DATE	DESCRIPTION.	CHANGE.	CHECK.	APPRO.
—	A	—	NEW	—	—	—