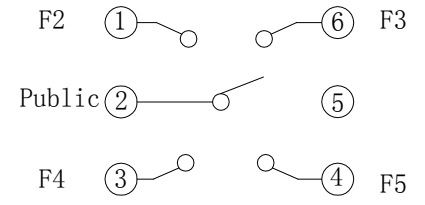
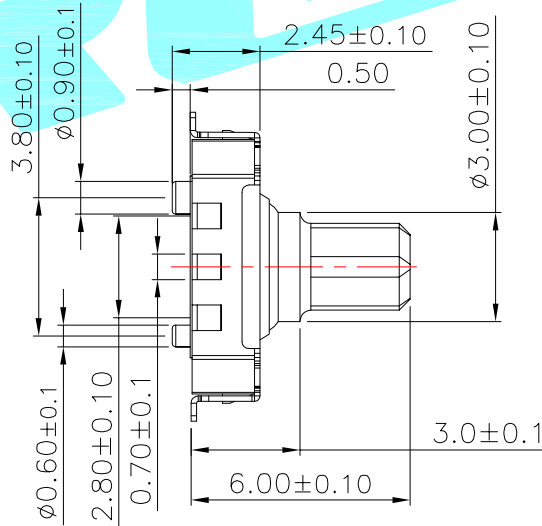
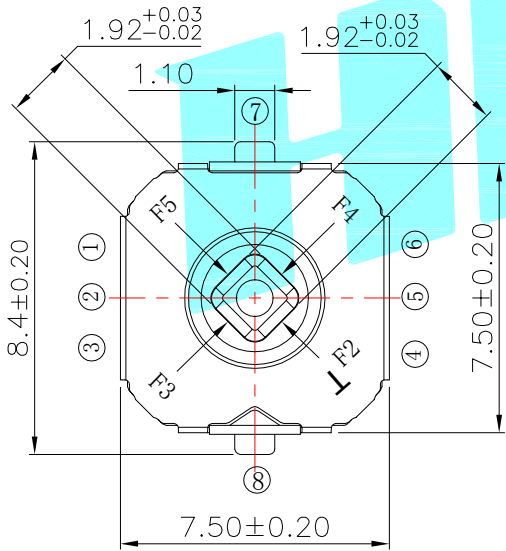


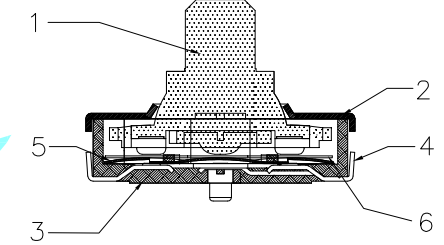
PCB Layout(Pattern Side)



Circuit Diagram



按柄梅花一体式定制款



NOTE:
 Rating: DC12V 50mA
 Operating Force:
 lever portion: 160±50gf
 Travel:4-direction 6°±2°

⑥	Mylar	—	1	PTFE	—	—
⑤	Contact	—	2	F.Ag/SUS	—	—
④	Terminal	—	6	Phosphorous copper	Plating silver	—
③	Base	—	1	LCP	Black	—
②	Cover	—	1	SUS	Plating silver	—
①	Keystoke	—	1	PPA	Black	—
ITEM	PART NAME	TER'NO.	QTY.	MATERIAL	FINISHING	REMARK

APPROVALS		DATE					
DRAWN	LIUCAN	2023.4.24					
CHECKED				TITLE:	按柄梅花一体式定制款R0.4		
APPROVALS				PART NO.	K1-5203UA-05A		
TOLERANCES ARE		30~以上	±0.30	ANGLE	UNIT: mm	SCALE: 1:1	
		10~30	±0.20				
		5~10	±0.15	±2'	DRAWING NO.	PROJ:	
		~ 5	±0.10				
ECN NO.	REV.	DATE.	DESCRIPTION.	CHANGE.	CHECK.	APPRO.	SHEET 1 OF 1

—	A	—	NEW	—	—	—
ECN NO.	REV.	DATE.	DESCRIPTION.	CHANGE.	CHECK.	APPRO.