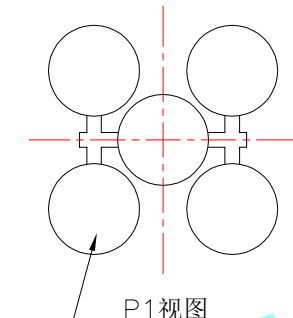
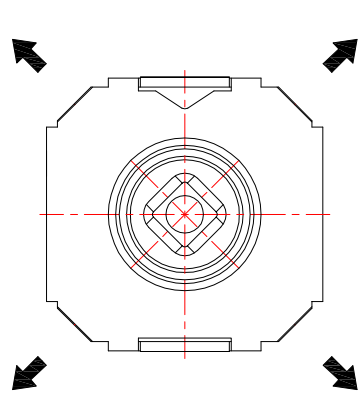
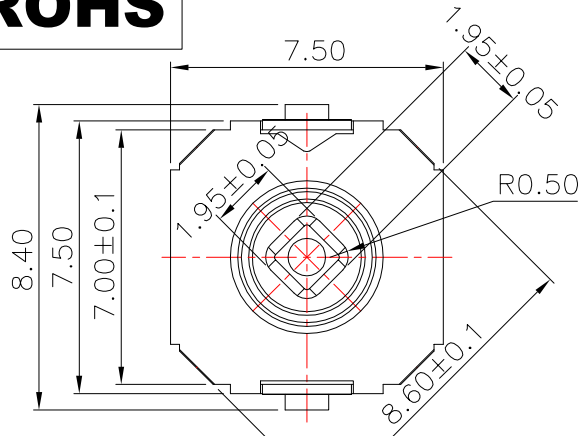
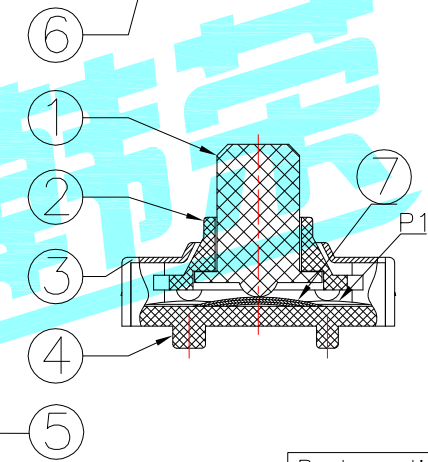
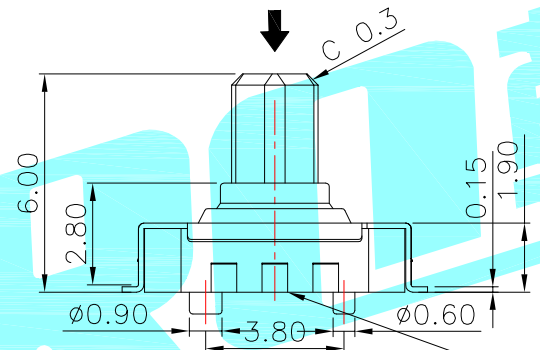
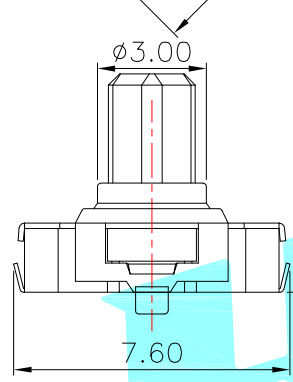


**ROHS**



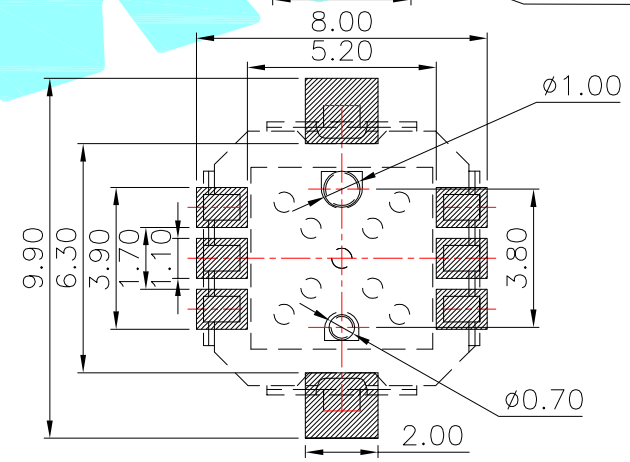
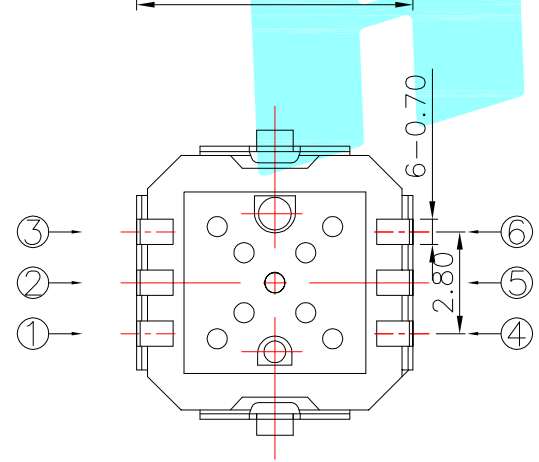
| Terminal  | ① | ② | ③ | ④ | ⑤ | ⑥ |
|-----------|---|---|---|---|---|---|
| Direction |   |   |   |   |   |   |
| ↓         |   | ● |   |   | ● |   |
| ↖         | ● |   |   |   | ● |   |
| ↗         |   |   |   | ● | ● |   |
| ↙         |   |   | ● |   | ● |   |
| ↘         |   |   |   |   | ● | ● |

Circuit Diagram



NOTE:  
 Operating Force:  
 lever portion: 170 ± 35 gf  
 Push portion: 350gf or 250gf  
 Travel: 4-direction 5°±2°  
 center push 0.20±0.1mm

| Push portion | PART NO       |
|--------------|---------------|
| 350gf        | K1-5203UA-02  |
| 250gf        | K1-5203UA-02A |



PCB Layout(Pattern Side)

| ⑦    | Mylar       | —       | 1    | Natural         | —              | —      |
|------|-------------|---------|------|-----------------|----------------|--------|
| ⑥    | Contact 1   | —       | —    | F.Ag/SUS        | —              | —      |
| ⑤    | Terminal    | —       | 6    | Phosphor bronze | Plating silver | —      |
| ④    | Base        | —       | 1    | LCP             | Black          | —      |
| ③    | Cover       | —       | 1    | SUS             | —              | —      |
| ②    | Axle sleeve | —       | 1    | PPA             | Black          | —      |
| ①    | Keystoke    | —       | 1    | PPA             | Black          | —      |
| ITEM | PART NAME   | TER'NO. | QTY. | MATERIAL        | FINISHING      | REMARK |

| APPROVALS      |           | DATE         |       | HRO 睿 ELECTRONICS CO.,LTD |                          |            |
|----------------|-----------|--------------|-------|---------------------------|--------------------------|------------|
| DRAWN          | J.X.Zhang | 2020.11.9    |       | TITLE:                    | MULTIFUNCTIONAL SWITCHES |            |
| CHECKED        |           |              |       | PART NO.                  |                          |            |
| APPROVALS      |           |              |       |                           |                          |            |
| TOLERANCES ARE |           | 30~以上        | ±0.30 | ANGLE                     | UNIT: mm                 | SCALE: 1:1 |
|                |           | 10~30        | ±0.20 |                           |                          |            |
|                |           | 5~10         | ±0.15 |                           |                          |            |
|                |           | ~ 5          | ±0.10 |                           |                          |            |
|                |           |              |       | ±2'                       | DRAWING NO.              |            |
| PROJ:          |           | SHEET 1 OF 1 |       |                           |                          |            |

| ECN NO. | REV. | DATE. | DESCRIPTION. | CHANGE. | CHECK. | APPRO. |
|---------|------|-------|--------------|---------|--------|--------|
| —       | A    | —     | NEW          | —       | —      | —      |