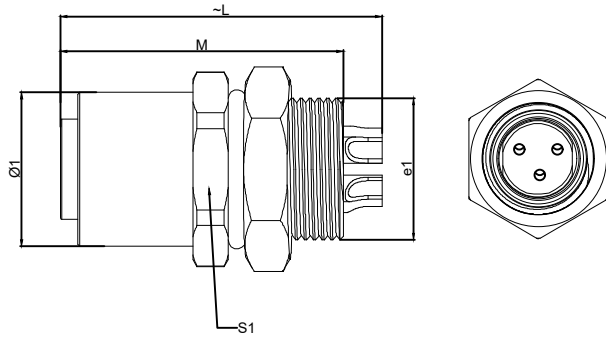


1.View and size(视图及尺寸)

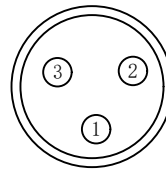
| Main technical indicators(主要技术指标) | |
|-----------------------------------|--------------------------------------|
| 1.Mating (插拔次数) | >100 |
| 2.Working Temperature (温度) | -40~+80 °C |
| 3.IP Rating (防护级别) | IP 67 |
| 4.Diameter of socket end(插合端直径) | |
| 5.Rated voltage (额定电压) | 60V |
| 6.Rated impulse voltage (额定冲击电压) | 1500V |
| 7.Rated Current (额定电流) | 4A |
| 8.Sheathing material(外壳材料) | CuZn(黄铜镀镍/ Brass nickel plated) |
| 9.Contact material(触点材料) | CuZn(黄铜/Brass) |
| 10.Insulation(绝缘材料) | PA |



| | L | e1 | Ø1 | M | S1 |
|----|--------|--------|--------|--------|--------|
| MM | 18.2 | M8*0.5 | 8.7 | 16 | 10 |
| in | 0.7165 | | 0.3425 | 0.6299 | 0.3937 |

| Sum up(总结) | |
|-----------------------------|---|
| Series(系列) | M8 |
| Shell style/model (外壳样式/型号) | HGG:Fixed receptaCXe, nut fixing, watertight or vacuum-tight/固定插头, 螺母固定, 水密或真空密 |
| Button (按键) | A button(一个按键) |
| Termination type (终止类型) | Mother solder tin(公焊锡) |
| Line diameter awg(线材直径) | 28AWG-24AWG |
| Cable diameter Ø (电缆直径) | - |
| Match plug(匹配插座) | |

| Location pin combination (定位销组合) | | |
|----------------------------------|-----------------------------------|------|
| (编号) Number | Number of positioning pins(定位销数量) | 结构图形 |
| A | 1 | |
| B | 1 | |
| D | 2 | |



Welded surface (焊接面)

ZE A.M8.P03.N P L

Appearance(外观)

Positioning pin(定位销)

Series(系列)

Needle core configuration(针芯配置)

Outer casing(外壳)

Insulator(绝缘体)

Needle core(针芯)

| | A | B | C√ | ANGLE | |
|--------|--------|--------|--------|---------|-------|
| 5-10 | ±0.02 | ±0.05 | ±0.1 | 0°-30° | ±0.1° |
| 50-100 | ±0.1 | ±0.15 | ±0.2 | 61°-90° | ±0.5° |
| 50-100 | ±0.15 | ±0.2 | ±0.25 | | |
| 100- | ±0.15% | ±0.20% | ±0.25% | | |

| | | | | | | |
|----------------------------------|--|----------|--------------------------------------|---------------|----------|---|
| DESIGNED(设计) | | DATE(日期) | | SCALE(比例) | N/A(不适用) | MODEL TYPE 型号类型: ZEA.M8.P03.NPL |
| CHECKED(校对) | | DATE(日期) | | VIEW(视图) | | PART NO. 1B2 core socket 名称: M8A定位3芯母座 |
| APPROVED(审核) | | DATE(日期) | | UNIT(单位) | MM | DWG NO.: |
| REVISIONS | | | | MATERIAL (材料) | | |
| www.helloxkb.com www.helloxkb.cn | | | XKB INDUSTRIAL PRECISION CO.,LIMITED | | | WEIGHT(重量) SHEET(表) REVISION(修订) |
| | | | | | | 1/1 A0 |