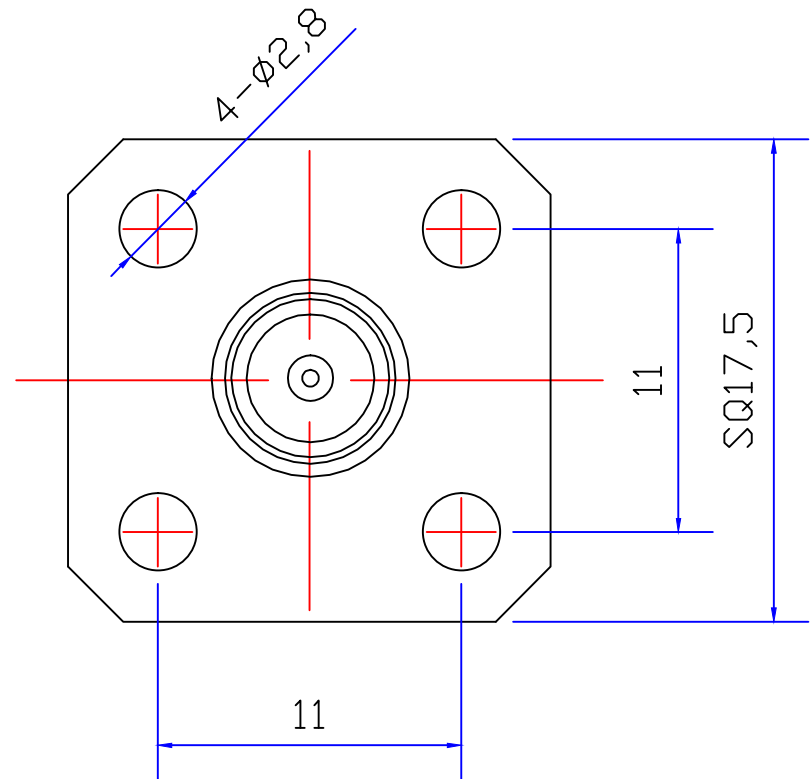
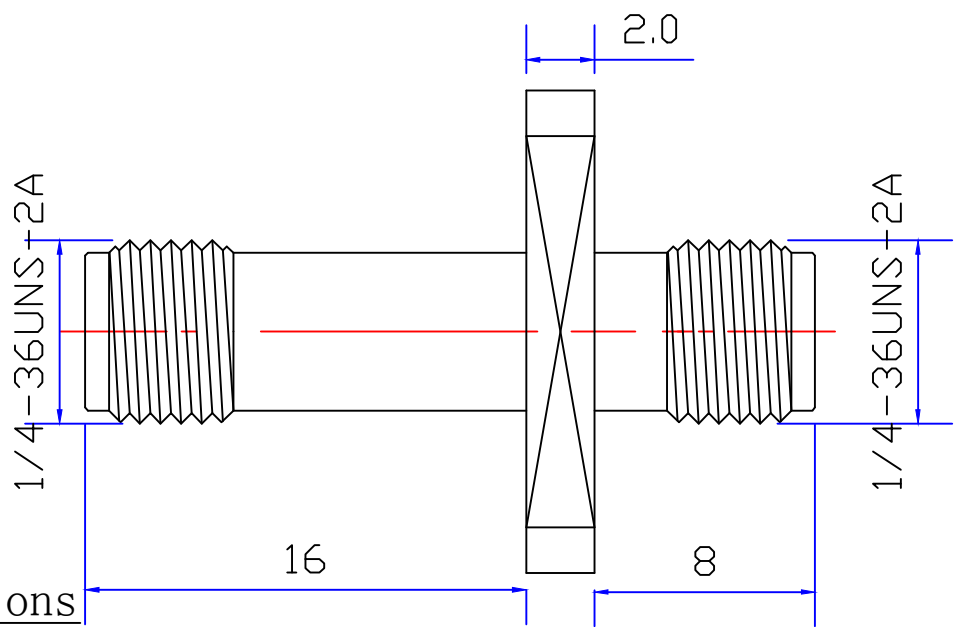


Product NO.		DOSIN-818-0690		
REV	DESCRIPTION	DWN	DATE	APPROVEN
A	First issue	Mr. CHEN	2018/08/14	John kine
B				



Specifications

Impedance: 50 Ohms
 Frequency Range: 0~6Ghz
 VSWR: 1.5max
 Working Voltage: <170 V rms @ sea level
 Insulation Resistance: 5000 Ohms min
 Temperature Range: -65°C TO +165°C
 Drawings products are in line with ROHS standards

1	Body	Brass	GOLD	1
2	Insulation	Teflon	White	1
3	Pin	Brass	GOLD	1
4				
5				
6				
7				
8				
9				
10				
NO	Component Number	Material	Finish	QTY

NOTE:		Tolerance	X.	±0.20
			X.X	±0.15
		View	X.XX	±0.08
			Angular	±5°
DRAWN		UNIT	MM	
Zelin.chen				
CHECKED		SCALE	1:1	
John				
APPROVALS		DateTime		
John		2018/08/14		

 **Dosin Industrial(H.K)Co.Ltd** E-mail: dosin2005@163.com
 dosin2005@dosing-china.com
 东莞市德索五金电子有限公司 Web: http://www.china-guan.com
Dosin Hardware Electronics Co.,Ltd TEL: (0086)769-81153906
 FAX: (0086)769-81875836

Name: SMA JACK TO SMA JACK ADAPTER

SIZE A	Product NO.	DOSIN-818-0690	REV A
DateTime	CAD FILE	SHEET: 1 OF 1	
2018/08/14	D/company drawings/BD		