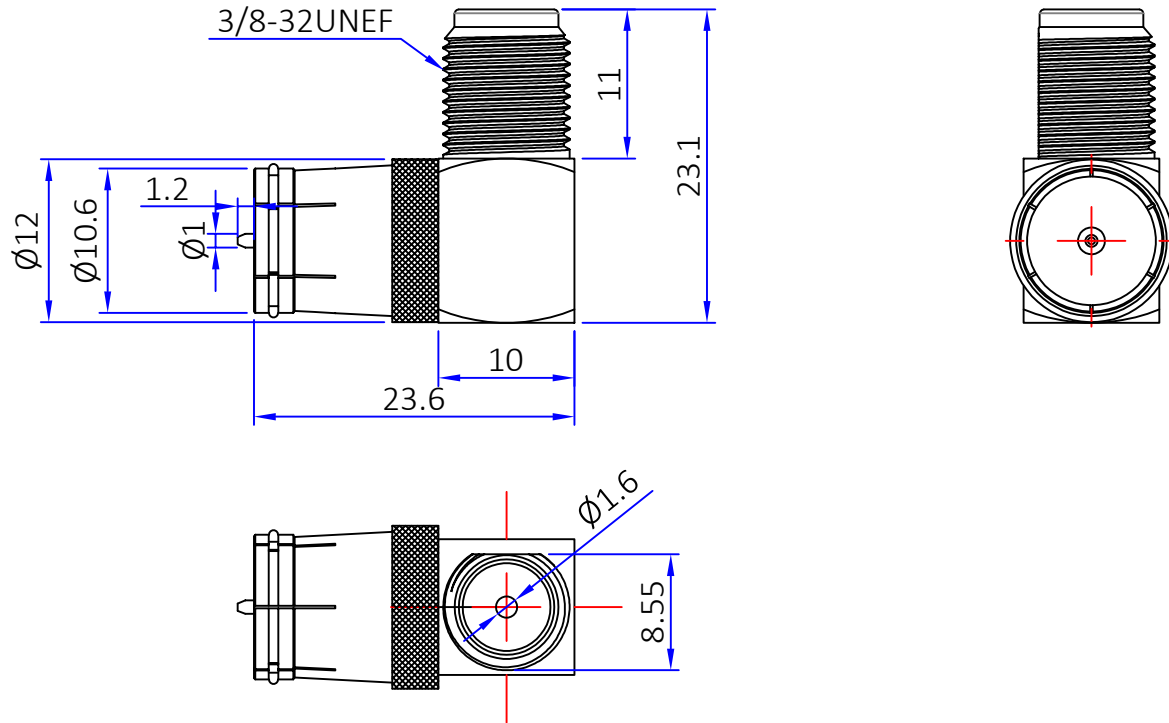




Rev	描述 Description	变更编号 Change number	日期 Date
A	First issue	---	2023/08/8
B			



SPECIFICATIONS:

IMPEDANCE: 75 ohms
 FREQUENCY RANGE: 0~3GHz
 VSWR:1.25 MAX
 WORKING VOLTAGE:<170 V rms @ sea level
 INSULATION RESISTANCE: 5000 MΩ
 TEMPERATURE RANGE:-65℃ TO +165℃
 Drawings products are in line with ROHS standards

3	Body	Brass	Nickel	1
2	Insulation	PH-88	White	1
1	Pin	Brass	Nickel	1
No.	描述 Description	材质 Material	材质 Finish	数量 Qty/Unit

The View		dosinconn DOSIN INDUSTRIAL(HK)CO.,LTD <small>CONNECTOR & CABLE ASSEMBLY</small>		Web:http://www.dosinconn.com Dosin2005@dosin-china.com Tel:(0086)769-81153906 Fax:(0086)769-81875836	
单位 unit	mm	页码 page	1/1		
图号 Drawing NO		料号 Part Number	DOSIN-818-0116	产品名称 Product name	F JACK TO F PLUG ADAPTER
文件保密 File security This drawing shall not be copied, circulated or used for other purposes without permission. 本图纸未经许可, 不可复制、外传或它用		未注公差 Unmarked tolerance		绘图 Draw drawing	WEN ZE MING
		零部件 Parts	线性 Line	审核 Check	客户确认 Customer confirmation
		X. ±0.5	≤10 ±1		
X.X ±0.20	10~50 ±1.5	角度 angle ±3°			
X.XX ±0.10	>50 ±4%				