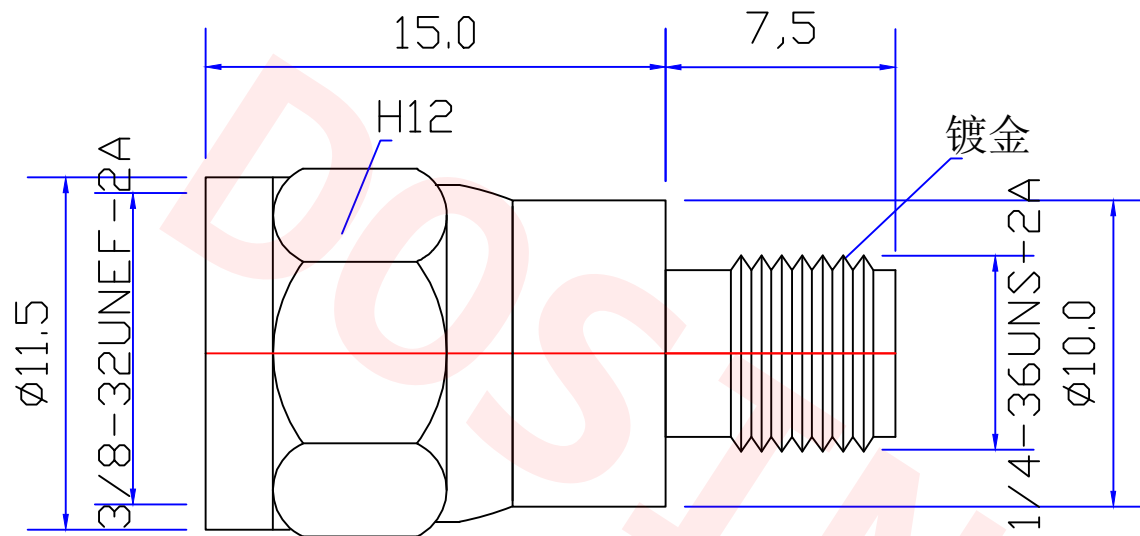




Product NO.		DOSIN-818-0103		
REV	DESCRIPTION	DWN	DATE	APPROVEN
A	First issue	Mr. CHEN	2017/10/27	John kine
B				



1	F-Body	Brass	NICKEL	1
2	Insulation	Teflon	White	1
3	Pin	Brass	GOLD	1
4	SMA-Body	Brass	GOLD	1
5				
6				
7				
8				
9				
10				
NO	Component Number	Material	Finish	QTY

NOTE:	
DRAWN	2017/10/27
Zelin.chen	
CHECKED	
APPROVALS	
John	27/10.2017

Tolerance	X. ±0.10
	X. X ±0.08
	X. XX ±0.05
	Angular ±5°
View	
UNIT	MM
SCALE	1:1

Dosin Industrial(H.K)Co.Ltd 东莞市德索五金电子有限公司 Dosin Hardware Electronics Co.,Ltd		E-mail:dosin2005@163.com dosin2005@dosin-china.com Web:http://www.china-guan.com TEL:(0086)769-81153906 FAX:(0086)769-81875836	
Name: F PLUG TO SMA JACK ADAPTER			
SIZE	Product NO.	DOSIN-818-0103	REV
A			B
DateTime	CAD FILE	SHEET: 1 OF 1	
2017/10/27	D/company drawings/BD		