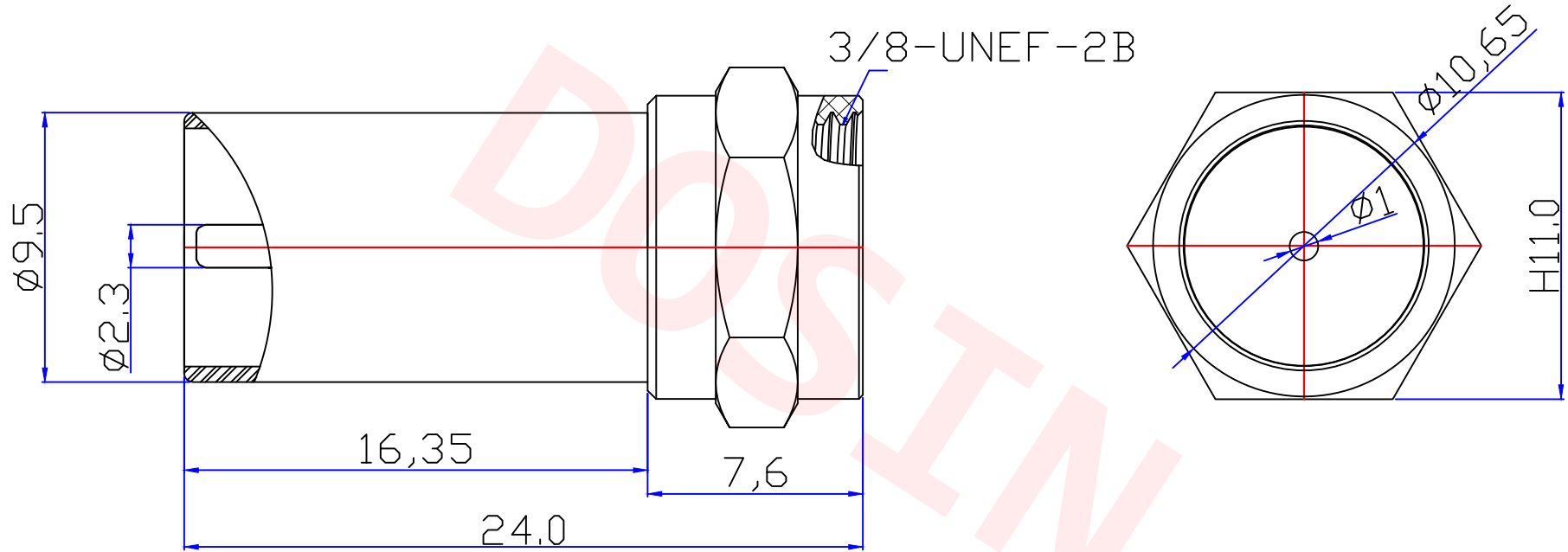




Product NO.		DOSIN-818-0093		
REV	DESCRIPTION	DWN	DATE	APPROVEN
A	First issue	Mr. chen	2017/8/10	John kine
B				



NOTE:

DRAWN
Zelin.chen

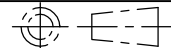
CHECKED

APPROVALS

Tolerance

X. ±0.25
X.X ±0.15
X.XX ±0.10
Angular ±5°

View



UNIT

MM

SCALE

1:1



Dosin Industrial (H.K) Co., Ltd

东莞市德索五金电子制品有限公司
Dosin Hardware Electronics Co., Ltd

Name: F PLUG TO PAL PLUG CONNECTOR

E-mail: dosin2005@163.com
dosin2005@dosin-china.com
Web: http://www.dosinconn.com
TEL: (0086) 769-81153906
FAX: (0086) 769-81875836

SIZE

A

Product NO.

DOSIN-818-0093

REV

A

DateTime

2017/8/10

CAD FILE

H/company drawings/BD

SHEET: 1 OF 1

8				
7				
6				
5				
4				
3	INSULATOR	POM	NATURAL	1
2	CONTACT PIN	BRASS	GOLD	1
1	BODY	BRASS	GOLD	1
	DESCRIPTION	MATERIAL	FINISH	QTY