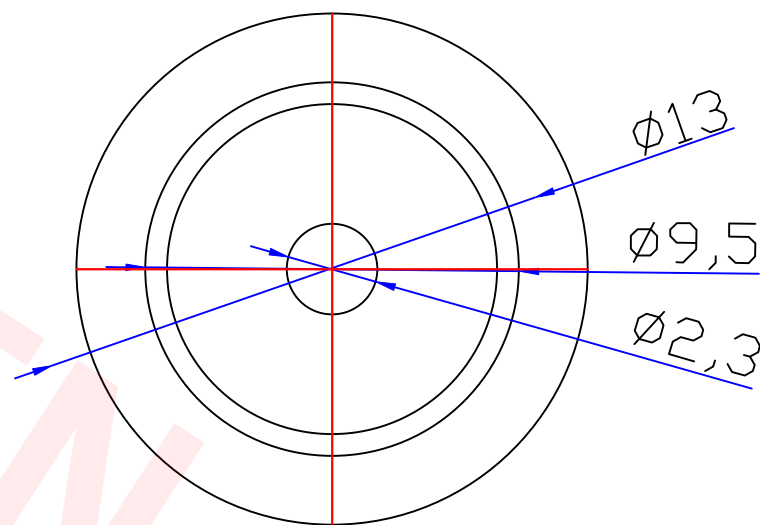
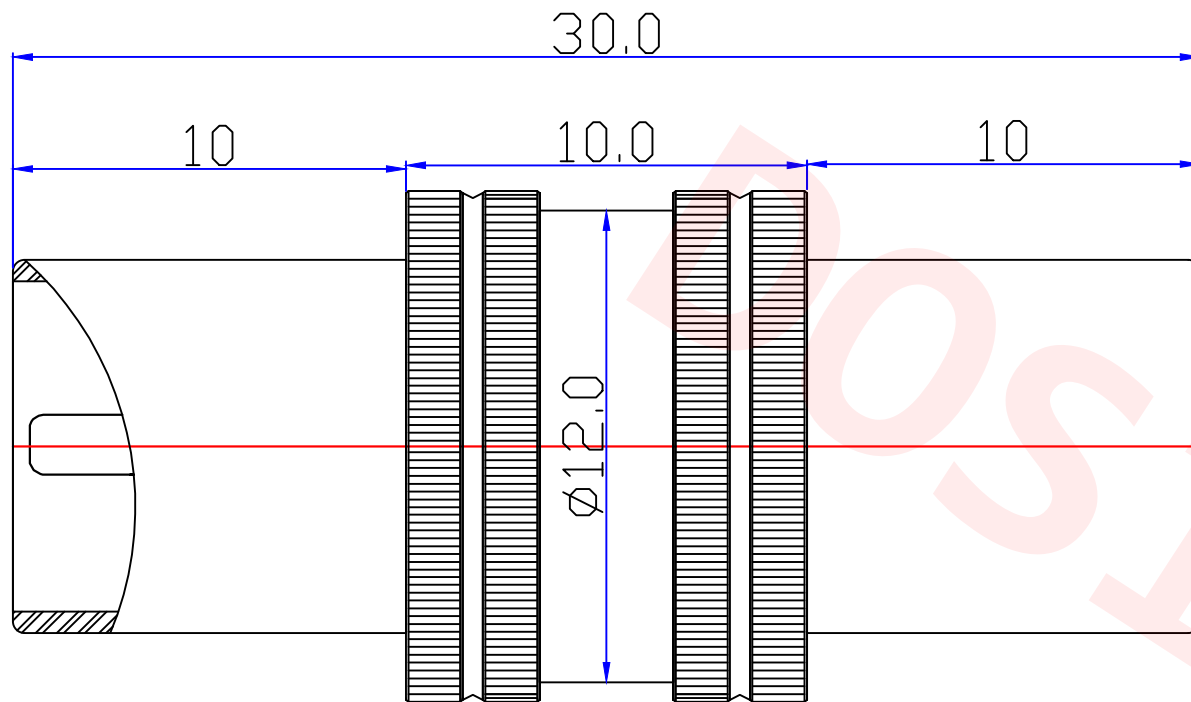




Product NO.		DOSIN-818-0092		
REV	DESCRIPTION	DWN	DATE	APPROVEN
A	First issue	Mr. chen	2017/8/10	John kine
B				



NOTE:

DRAWN  
Zelin.chen

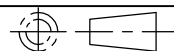
CHECKED

APPROVALS

Tolerance

X.  $\pm 0.25$   
 X.X  $\pm 0.15$   
 X.XX  $\pm 0.10$   
 Angular  $\pm 5^\circ$

View



UNIT

MM

SCALE

1:1



Dosin Industrial (H.K) Co. Ltd

东莞市德索五金电子制品有限公司

Dosin Hardware Electronics Co., Ltd

Name:

PAL PLUG TO PAL PLUG CONNECTOR

SIZE

A

Product NO.

DOSIN-818-0092

DateTime

2017/8/10

CAD FILE

H/company drawings/BD

E-mail: dosin2005@163.com

dosin2005@dosin-china.com

Web: http://www.dosinconn.com

TEL: (0086) 769-81153906

FAX: (0086) 769-81875836

REV

A

SHEET: 1 OF 1

8				
7				
6				
5				
4				
3	INSULATOR	POM	NATURAL	1
2	CONTACT PIN	BRASS	GOLD	1
1	BODY	BRASS	GOLD	1
	DESCRIPTION	MATERIAL	FINISH	QTY