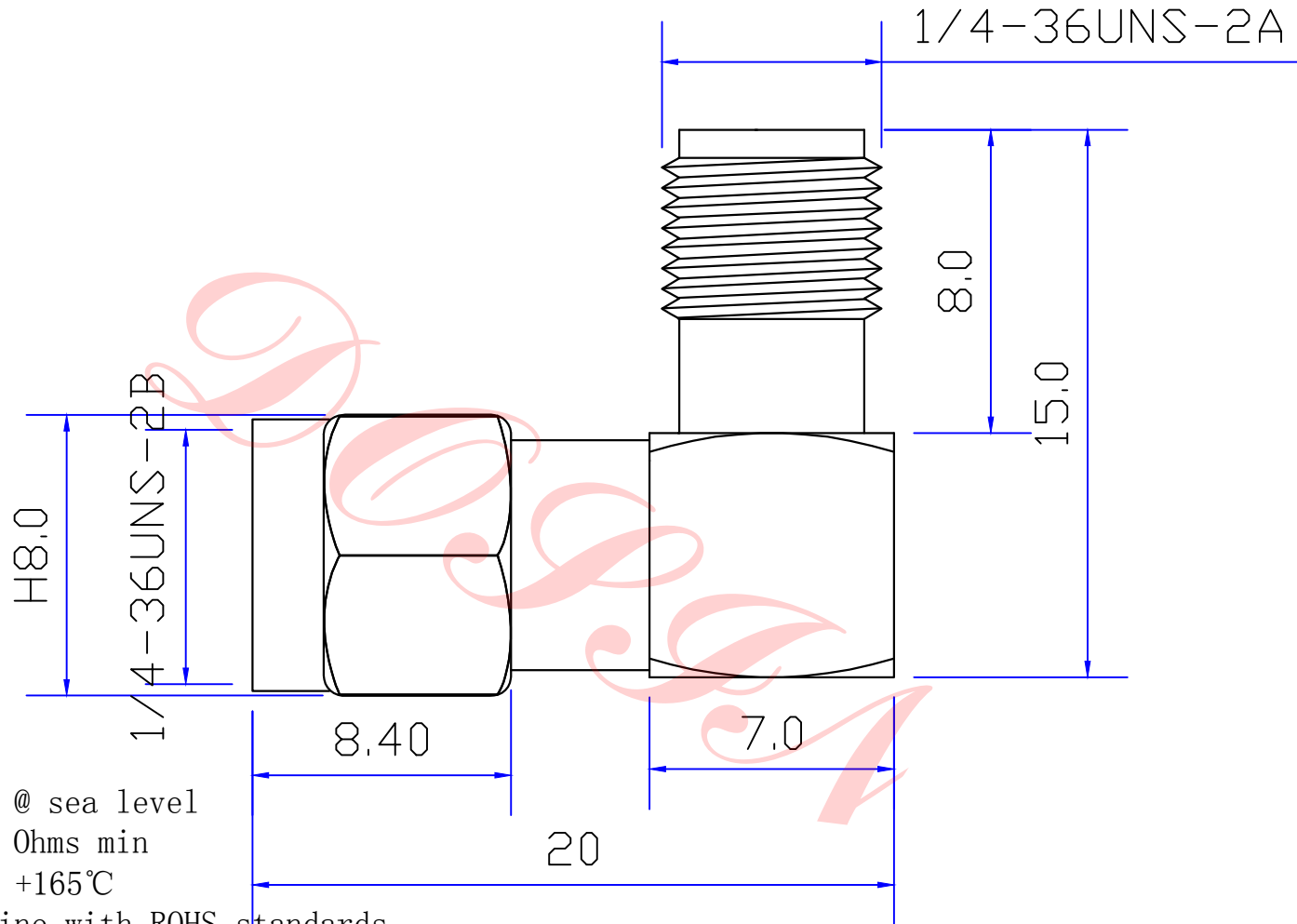




Product NO.		DOSIN-818-0087		
REV	DESCRIPTION	DWN	DATE	APPROVEN
A	First issue	Mr. CHEN	2017/05/31	John kine
B				



Specifications

Impedance: 50 Ohms
 Frequency Range: 0~6Ghz
 VSWR: 1.25max
 Working Voltage: <170 V rms @ sea level
 Insulation Resistance: 5000 Ohms min
 Temperature Range: -65°C TO +165°C
 Drawings products are in line with ROHS standards

1	Body	Brass	GOLD	1
2	Insulation	Teflon	White	1
3	Pin	Brass	GOLD	1
4				
5				
6				
7				
8				
9				
10				
NO	Component Number	Material	Finish	QTY

NOTE:	
DRAWN	Zelin.chen
CHECKED	
APPROVALS	John
Signature	Kine

Tolerance	X. ±0.10 X.X ±0.08 X.XX ±0.05 Angular ±5°
View	
UNIT	MM
SCALE	1:1
DOSIN Dosin Industrial(H.K)Co.Ltd 东莞市德索五金电子有限公司 Dosin Hardware Electronics Co.,Ltd	
Name: SMA JACK TO R/A SMA PLUG ADAPTER	
SIZE A	Product NO. DOSIN-818-0087
DateTime	2017/05/31
CAD FILE	D/company drawings/BD
SHEET: 1 OF 1	