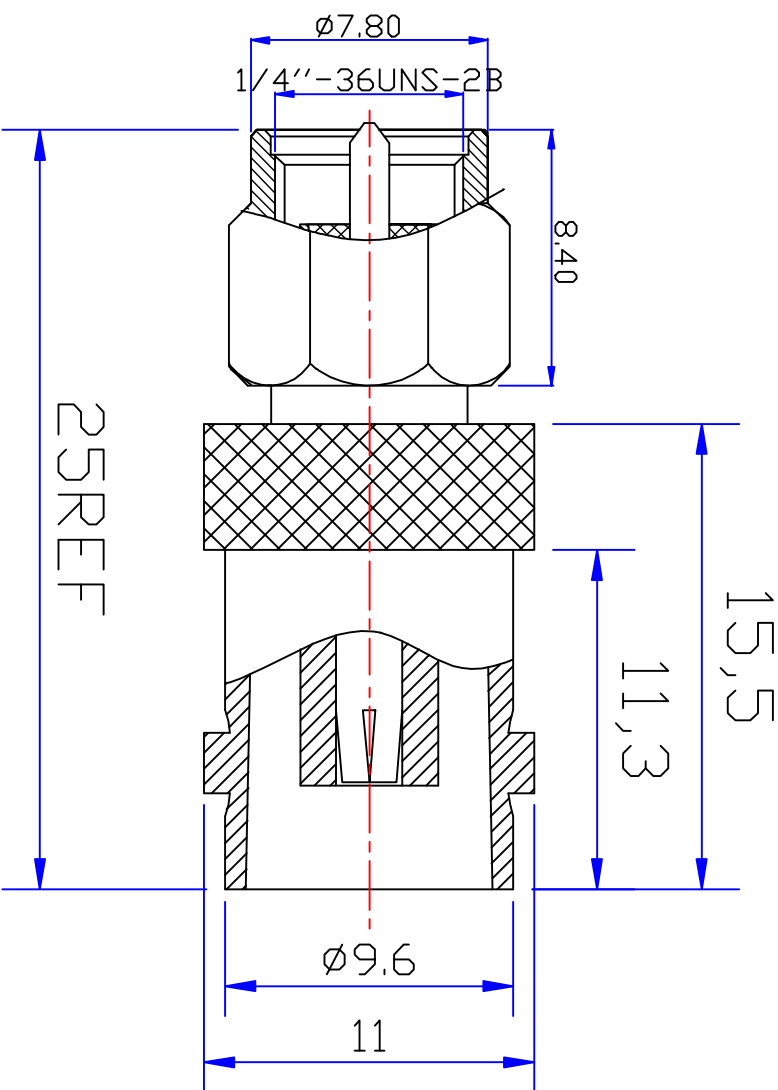




Product NO.		DOSIN-818-0045	
REV	DESCRIPTION	DWN	DATE
A	First Issue	Mr. Kang	2015/10/09
			APPROVEN
			John Kline



25REF

1	SMA Plug Body	Brass	Au: 1u"	NOTE: DRAWN Zel in. Zhang CHECKED	Tolerance X. X X. X X. XX Angular ±0.25 ±0.15 ±0.05 ±5°	View UNIT MM	SCALE 1:1	Date 2015/10/09	Product NO. DOSIN-818-0045	CAD FILE H/company drawings/BD	SHEET: 1 OF 1
2	BNC JACK Body	Brass	Ni: 80-120u"								
3	SMA PLUG Insulator	TEFLON	White								
4	BNC JACK Insulator	PCB	White								
5	Center contact	Brass	Au: 1-2u"								
6											
7											
8											
9											
10	Component Number	Material	Finish								

DOSIN *Dosin Industrial (H.K.) Co Ltd*
 香港五金电子制品有限公司
Dosin Hardware Electronics Co, Ltd

E-mail: dosin2006@us.com
 dosin2006@dosin-dh.hk.com
 Web: http://www.dosin.com
 TEL: (0086) 799-81153005
 FAX: (0086) 799-8153936

Name: SMA PLUG TO BNC JACK