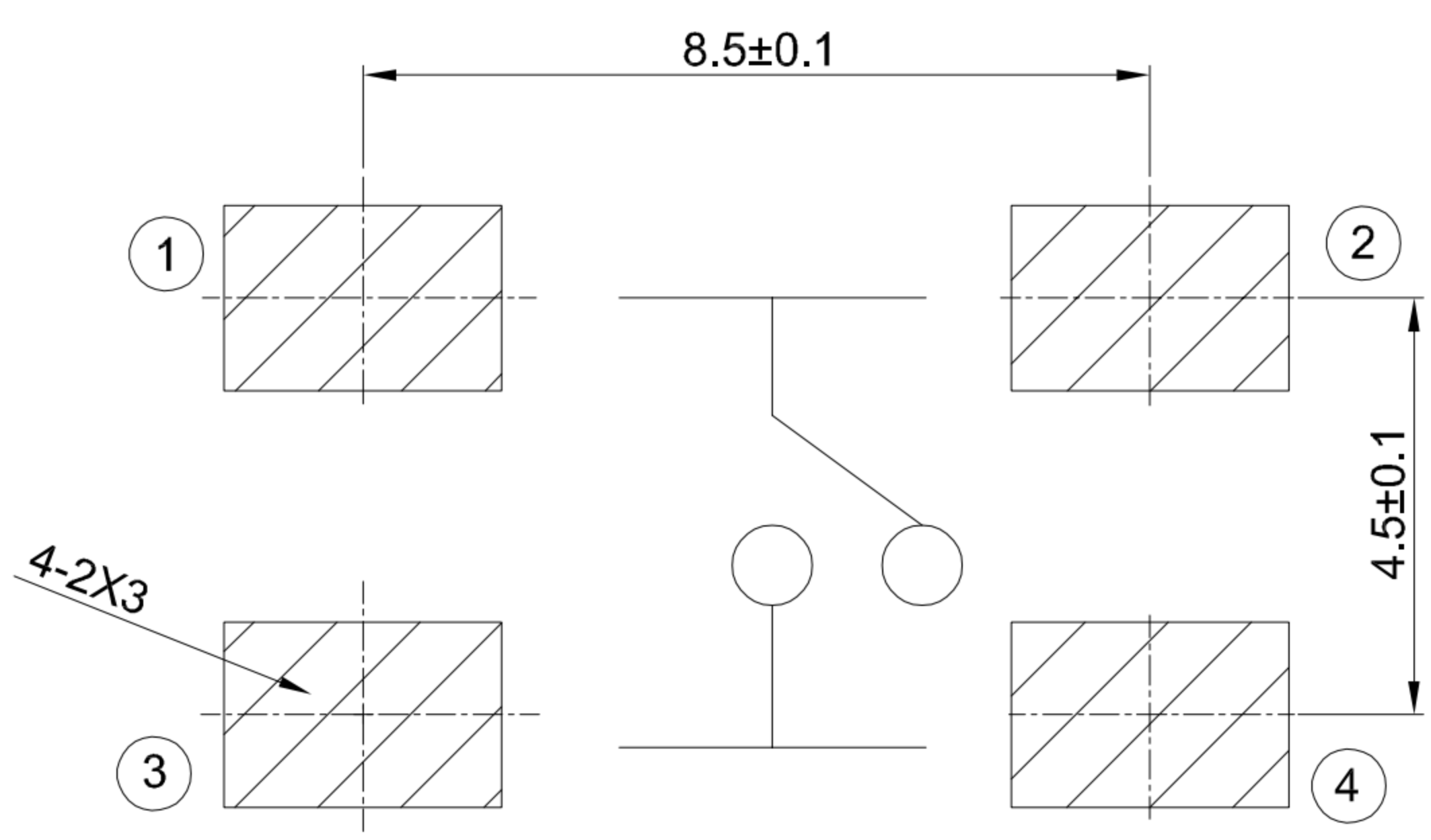
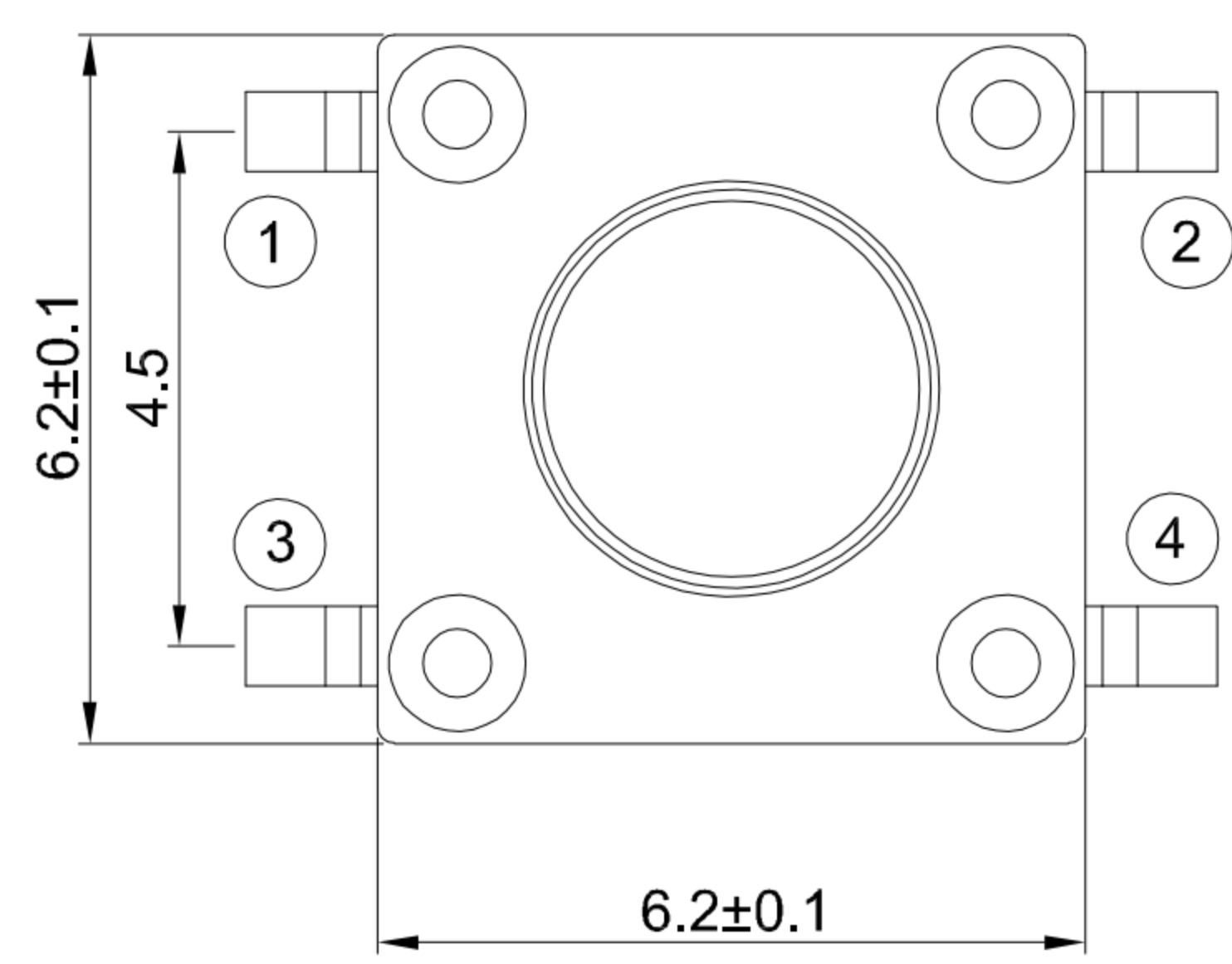
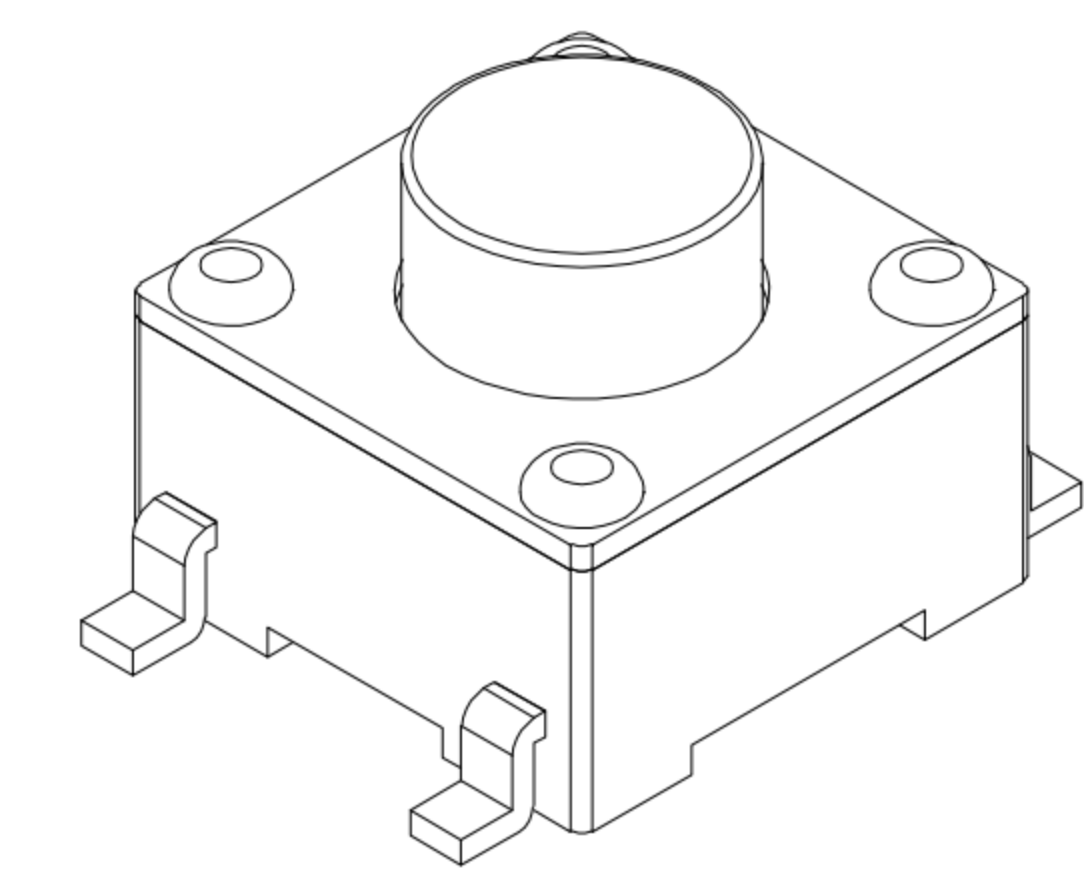


GT-TA089B-H050-L3

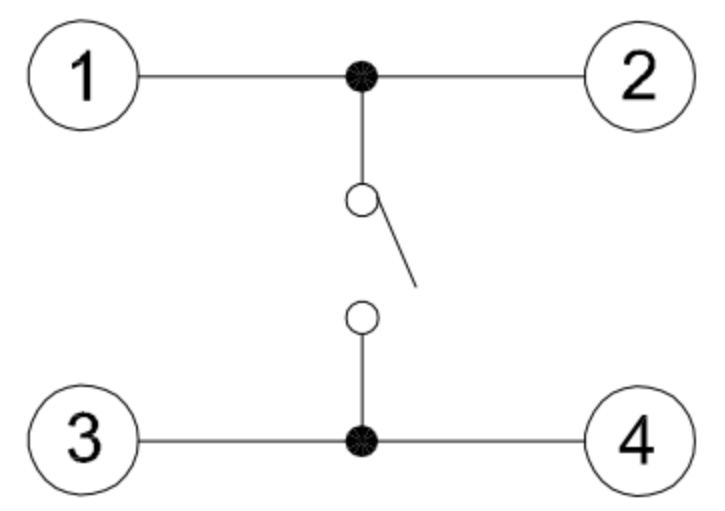
G-Switch
Operating Force
 A=180gf
 B=250gf
 D=350gf

Switch Height A=∅A
 H050=5.0 A=3.2

Switch Lifetime (Force)
 L3=300,000 Cycles
 L5=500,000 Cycles



RECOMMENDED PCB LAYOUT
 TOLERANCE:±0.05



CIRCUIT DIAGRAM

G-Switch Specification:

1. Operating temperature range: -40°C ~ +85°C
2. Rating: 50mA, 12V DC
3. Insulation resistance: 100MΩ min. 100V DC
4. Dielectric strength: 250V AC for 1 min
5. Contact resistance: 100mΩ max.
6. Travel: 0.5±0.15mm

6	COVER	STAINLESS STEEL	White
5	STEM	SILICA GEL	
4	TAPE	POLYIMIDE	
3	CONTACT	STAINLESS STEEL	Ag PLATING
2	TERMINAL	COPPER ALLOY C2680	Ag PLATING
1	BASE	PA	
NO.	PART NAME	MATERIAL	REMARK



SCALE: 1:1	UNIT: mm
SIZE: A4	
Unless otherwise General Tolerance:	
X.	/
X.x	±0.05
X.xx	±0.02
X°	±0.5°

Title: Vertical Tact Switch Silica gel SMT 6.2×6.2×5.0mm IP65			
Molde Code: GT-TA089B-H050-L3			
DRAWN	CHECKED	APPROVED	DATE
Xia	Chen	Chen	2023.02.01



REV: A0 SHEET: 1/1