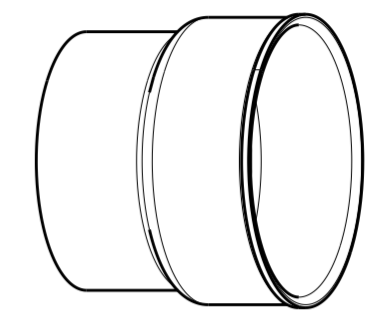
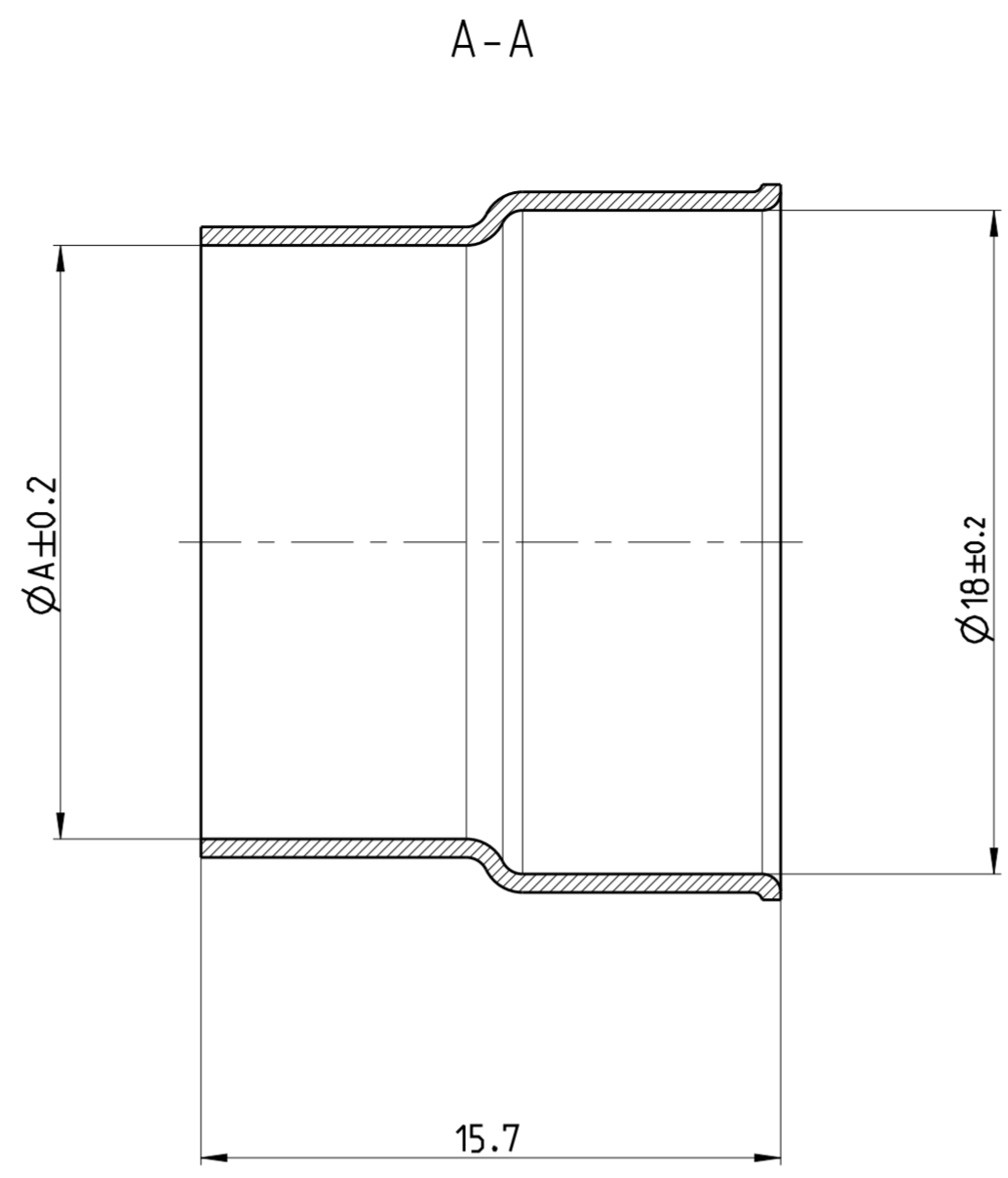
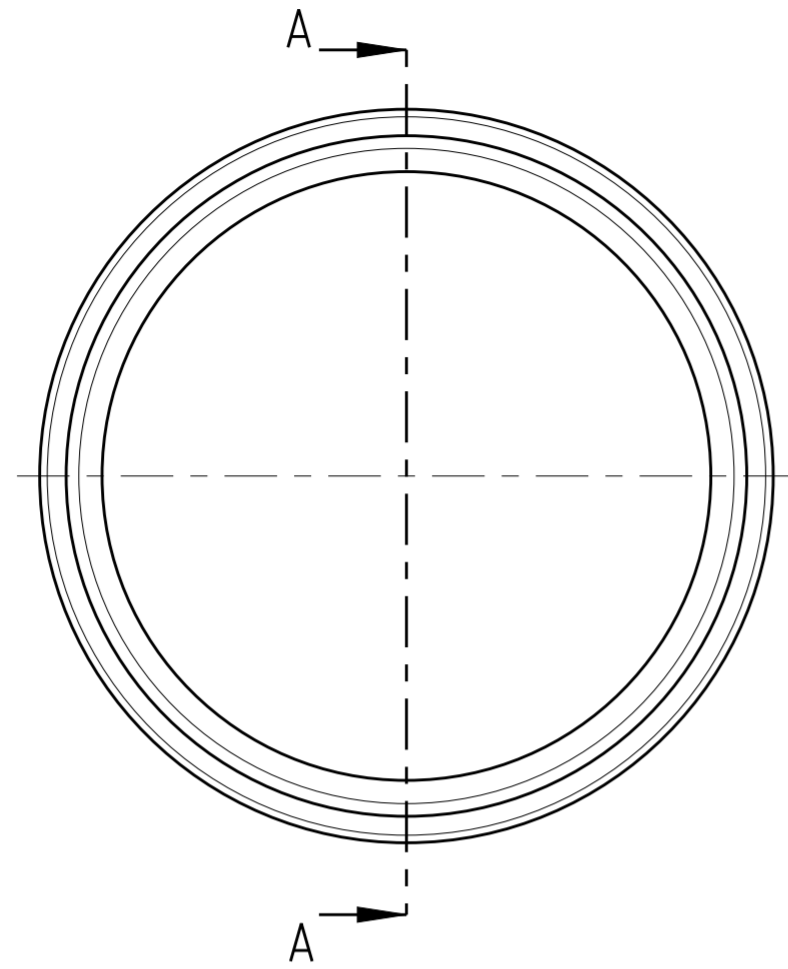


THIS DRAWING IS UNPUBLISHED. RELEASED FOR PUBLICATION
 © COPYRIGHT copyright_date BY - ALL RIGHTS RESERVED.

REVISIONS					
P	LTR	DESCRIPTION	DATE	DWN	APVD
A		RELEASED	18SEP17	JL	IY
A1		REVISED (ECR-19-005077)	03APR19	Z.Z	E.J



NOTES

- 1 PACKAGING: BULK PACKAGING INTO PLASTIC BAG AND SHIPPING BOX

AI	2307011-6	SHIELD CRIMP FERRULE.90 DEG	12.5	25 [ACC. LV216]	STAINLESS STEEL	BLANK
AI	2307011-5	SHIELD CRIMP FERRULE.90 DEG	14.7	35 [ACC. LV216]	STAINLESS STEEL	BLANK
AI	2307011-4	SHIELD CRIMP FERRULE.90 DEG	16.1	50 [ACC. LV216]	STAINLESS STEEL	BLANK
	2307011-3	SHIELD CRIMP FERRULE.90 DEG	12.5	25 [ACC. LV216]	Cu ALLOY	TIN PLATING
	2307011-2	SHIELD CRIMP FERRULE.90 DEG	14.7	35 [ACC. LV216]	Cu ALLOY	TIN PLATING
	2307011-1	SHIELD CRIMP FERRULE.90 DEG	16.1	50 [ACC. LV216]	Cu ALLOY	TIN PLATING
	TE PART NO.	DESCRIPTION	DIMENSION A	FOR WIRE SIZE [mm ²]	MATERIAL	SURFACE

THIS DRAWING IS A CONTROLLED DOCUMENT.		DWN J.LI 31AUG2016	TE Connectivity			
DIMENSIONS: mm		CHK E. JIANG 16SEP17				
TOLERANCES UNLESS OTHERWISE SPECIFIED: ±0.2		APVD J.YIN 18SEP2017	NAME SHIELD CRIMP FERRULE.90 DEG			
0-PLC ± 1-PLC ± 2-PLC ± 3-PLC ± 4-PLC ±		PRODUCT SPEC	APVD			
ANGLES ±°		APPLICATION SPEC	SIZE			
FINISH		WEIGHT (3.5 g)	CAGE CODE A200779			
finish_spec_2		CUSTOMER DRAWING	DRAWING NO C-2307011			
		SCALE 5:1	RESTRICTED TO			
		SHEET 1 OF 1	REV A1			