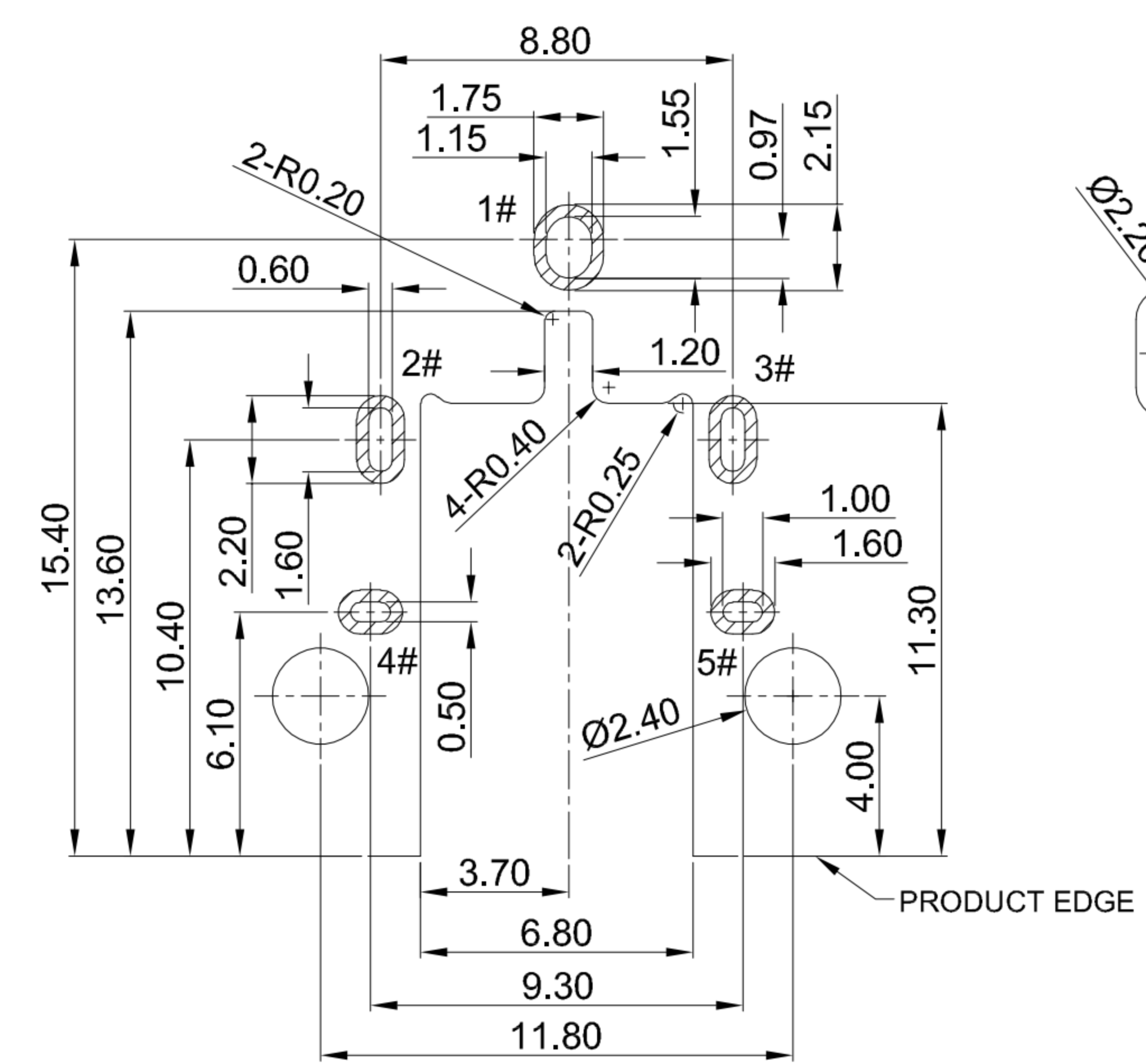
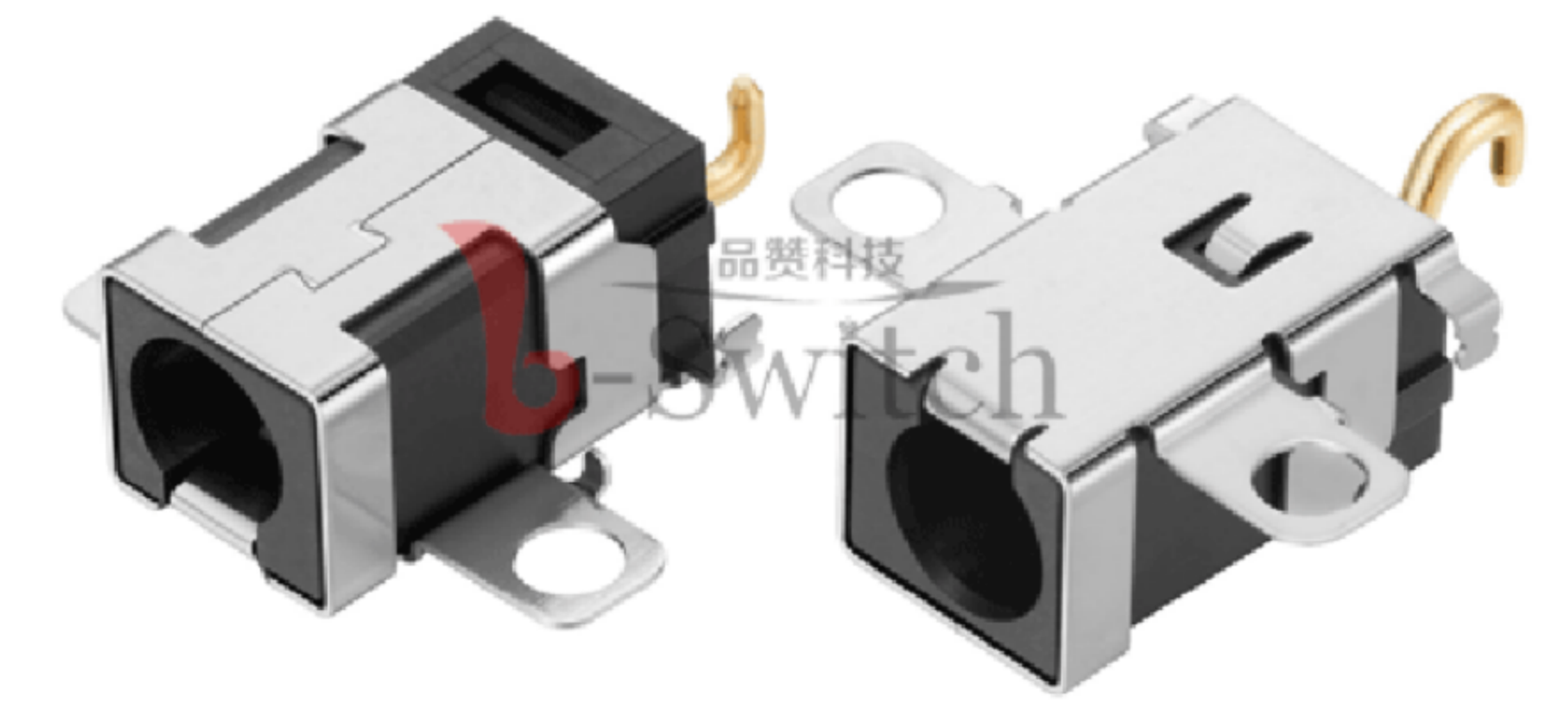
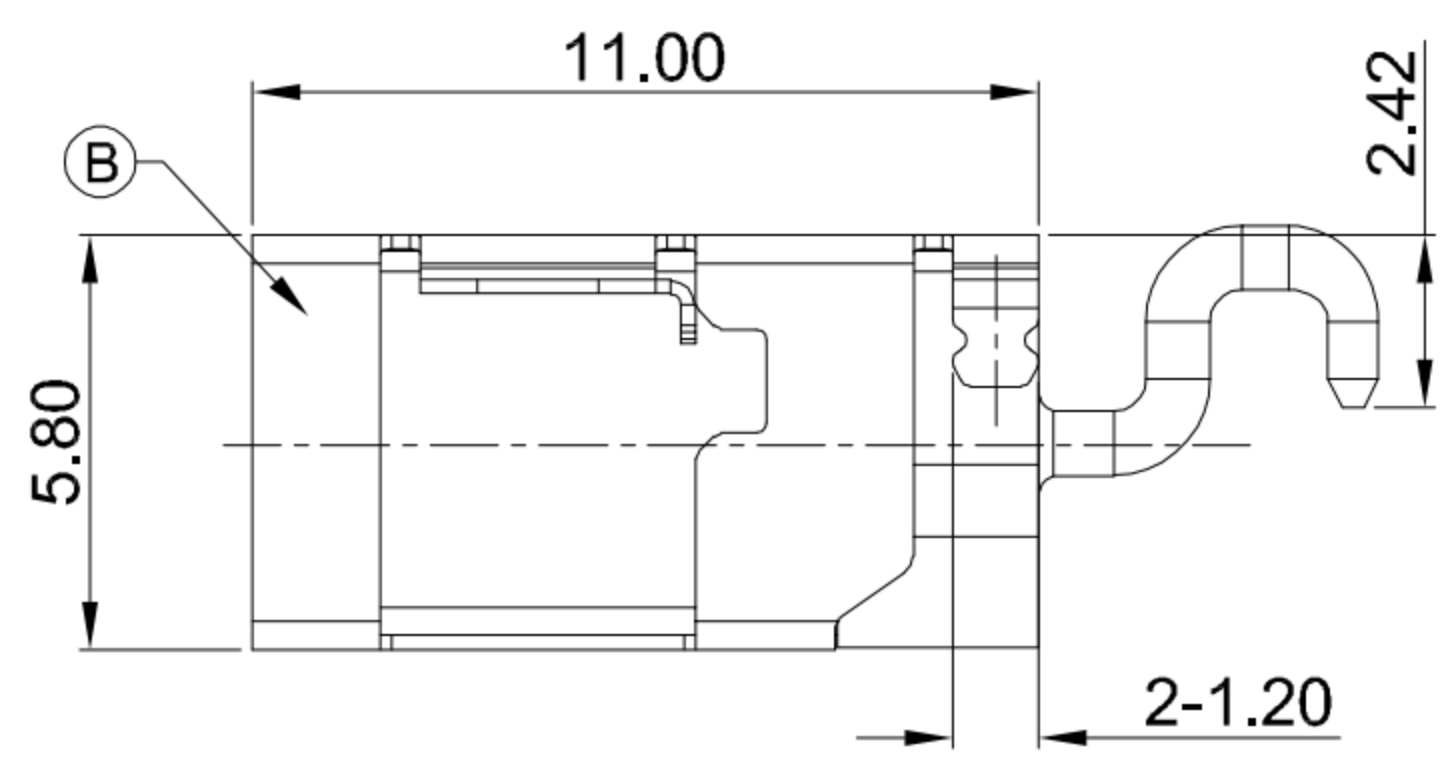
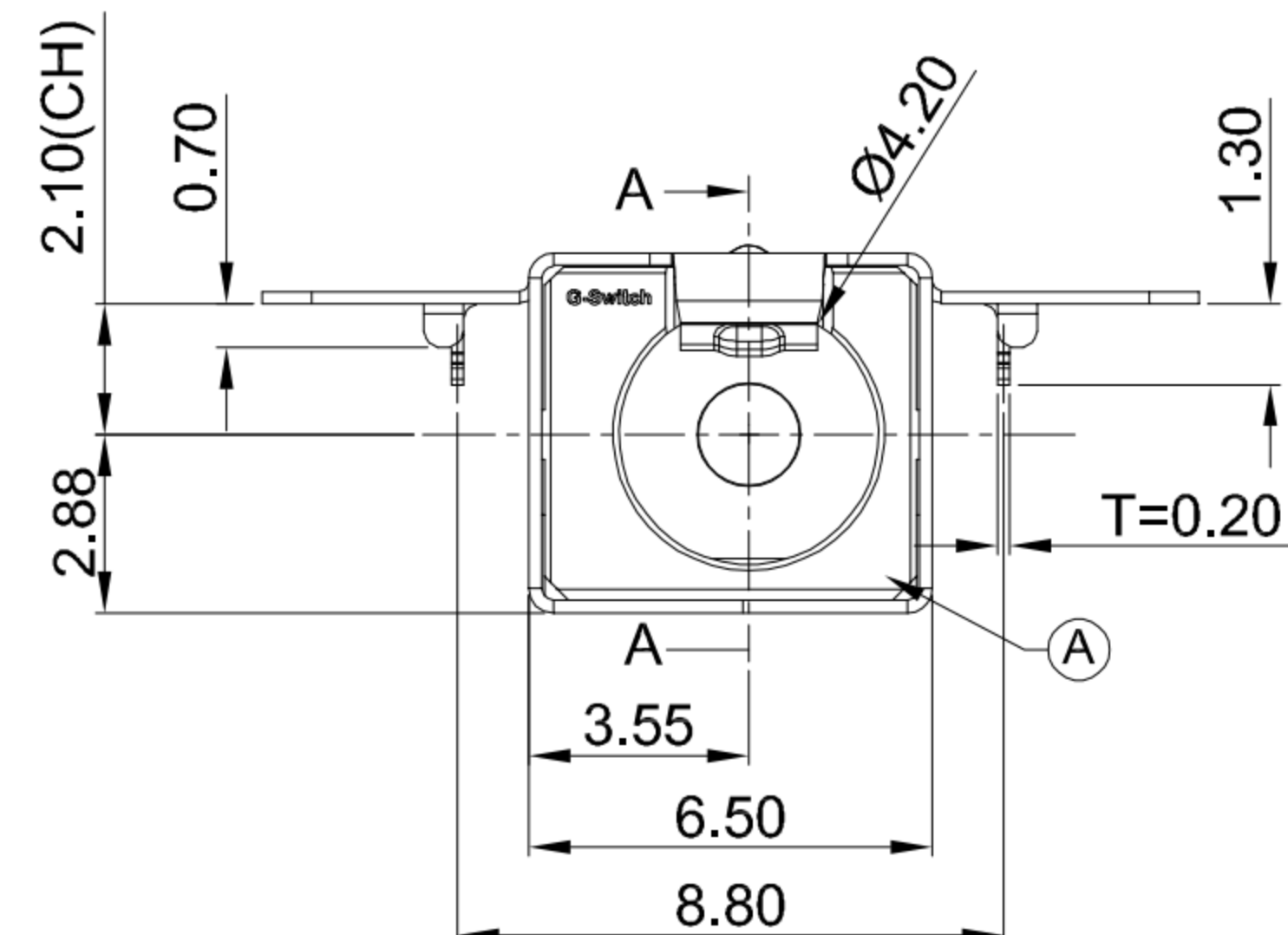
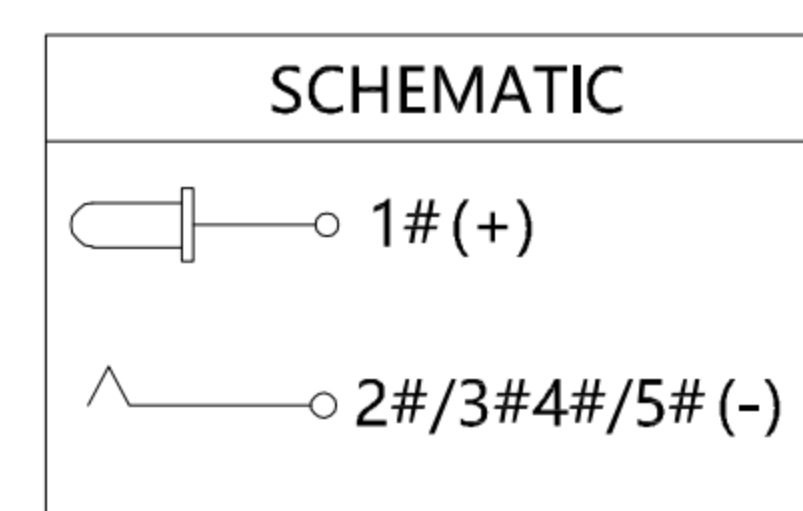
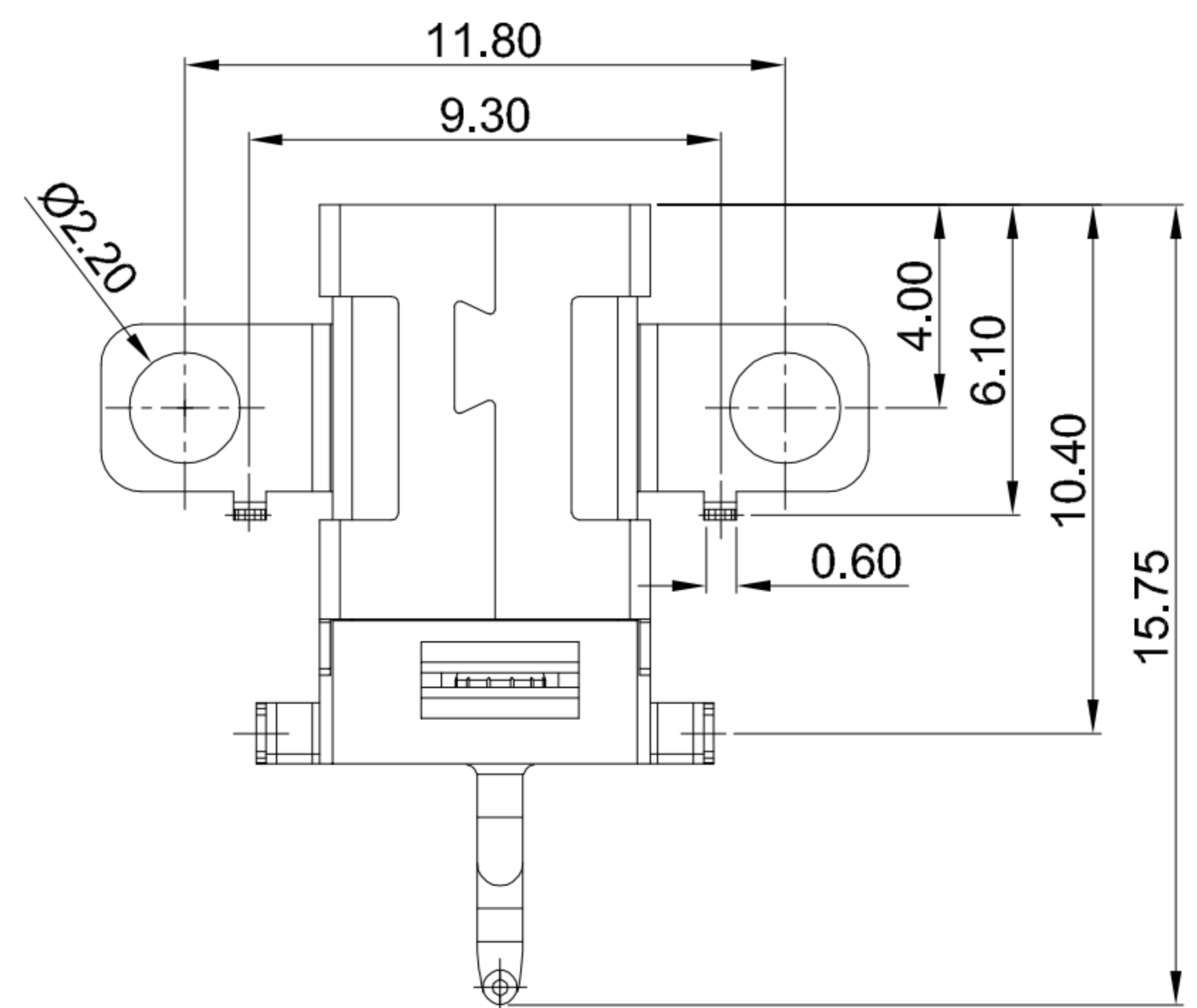


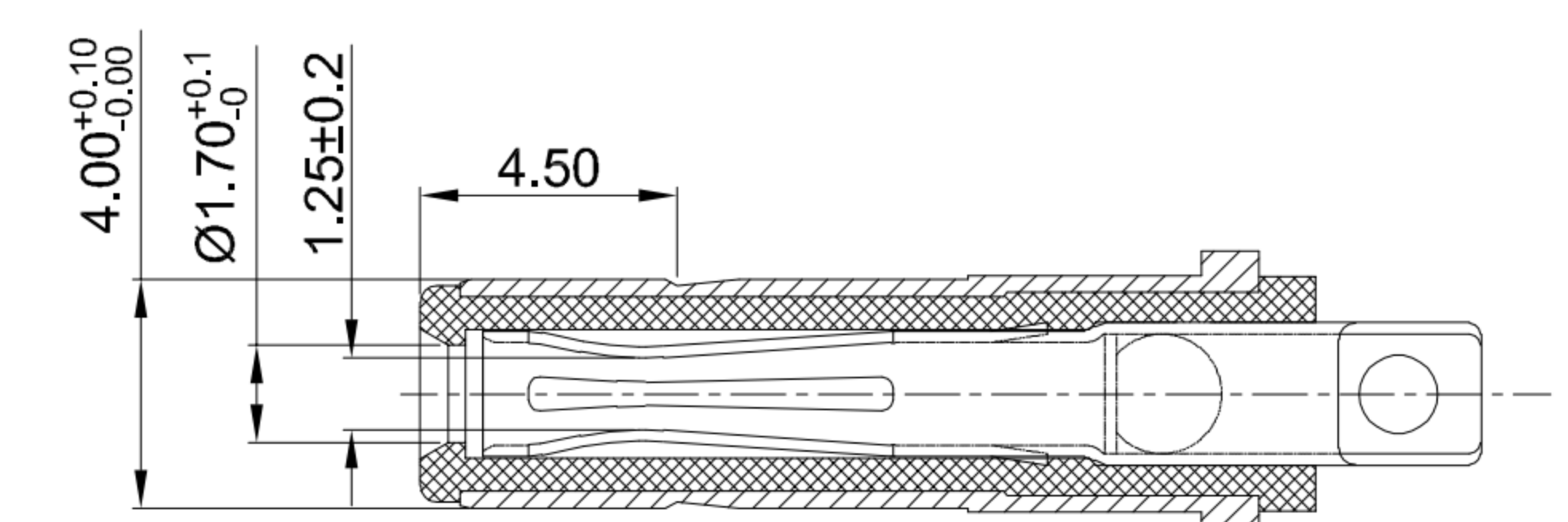
SECTION A-A



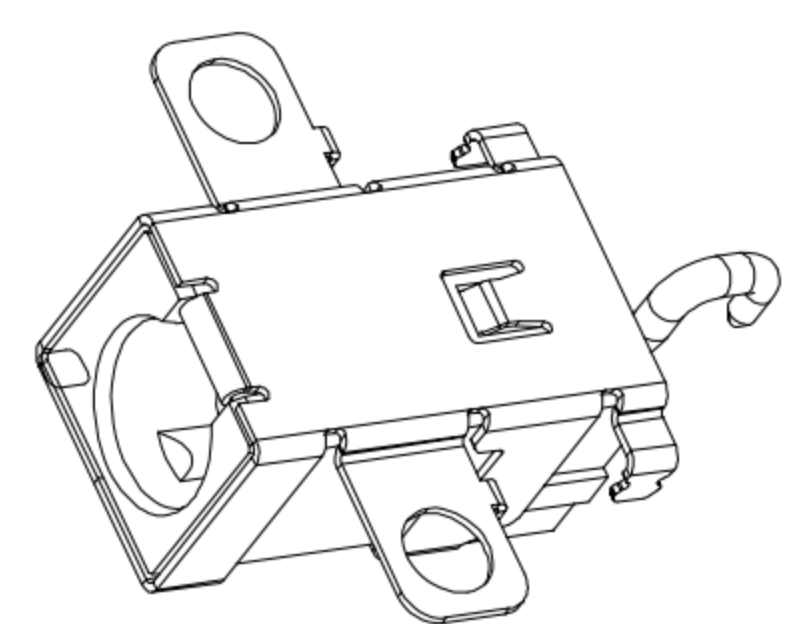
RECOMMENDED PCB LAYOUT  
TOLERANCE:±0.05



CIRCUIT DIAGRAM



MATING PLUG Ø4.0xØ1.7mm



- G-Switch Specification:**
1. Operating temperature range: -40°C ~ +85°C
  2. Rated load: 5A.20V DC
  3. Insulation resistance: 100MΩ min
  4. Withstand voltage: 500V AC/min
  5. Contact resistance: 30mΩ max
  6. Durability cycle: 5000 Cycles
  7. Insertion force: 3N-30N
  8. Extraction force: 3N-30N

A	HOUSING	HIGH TEMPERATURE PLASTIC	BLACK
B	SHELL	COPPER ALLOY	Ni PLATING
C	CENTER PIN	BRASS	GOLD FLASH/Ni
NO.	PART NAME	MATERIAL	REMARK



SCALE: 1:1	UNIT: mm	Horizontal DC Power Jack 4017	
SIZE: A4		Title: DIP Sink 4.98 CH=2.1 L=11.0 Ø1.65mm	
Unless otherwise General tolerance:		Molde Code: DC-S003F-D0165-5A	
X	±0.50	DRAWN	CHECKED
X.x	±0.30	APPROVED	DATE
X.xx	±0.20	Xia	Chen
X.xxx	±0.10	Chen	2023.02.01
X.°	±3°		



REV: A0 SHEET: 1/1