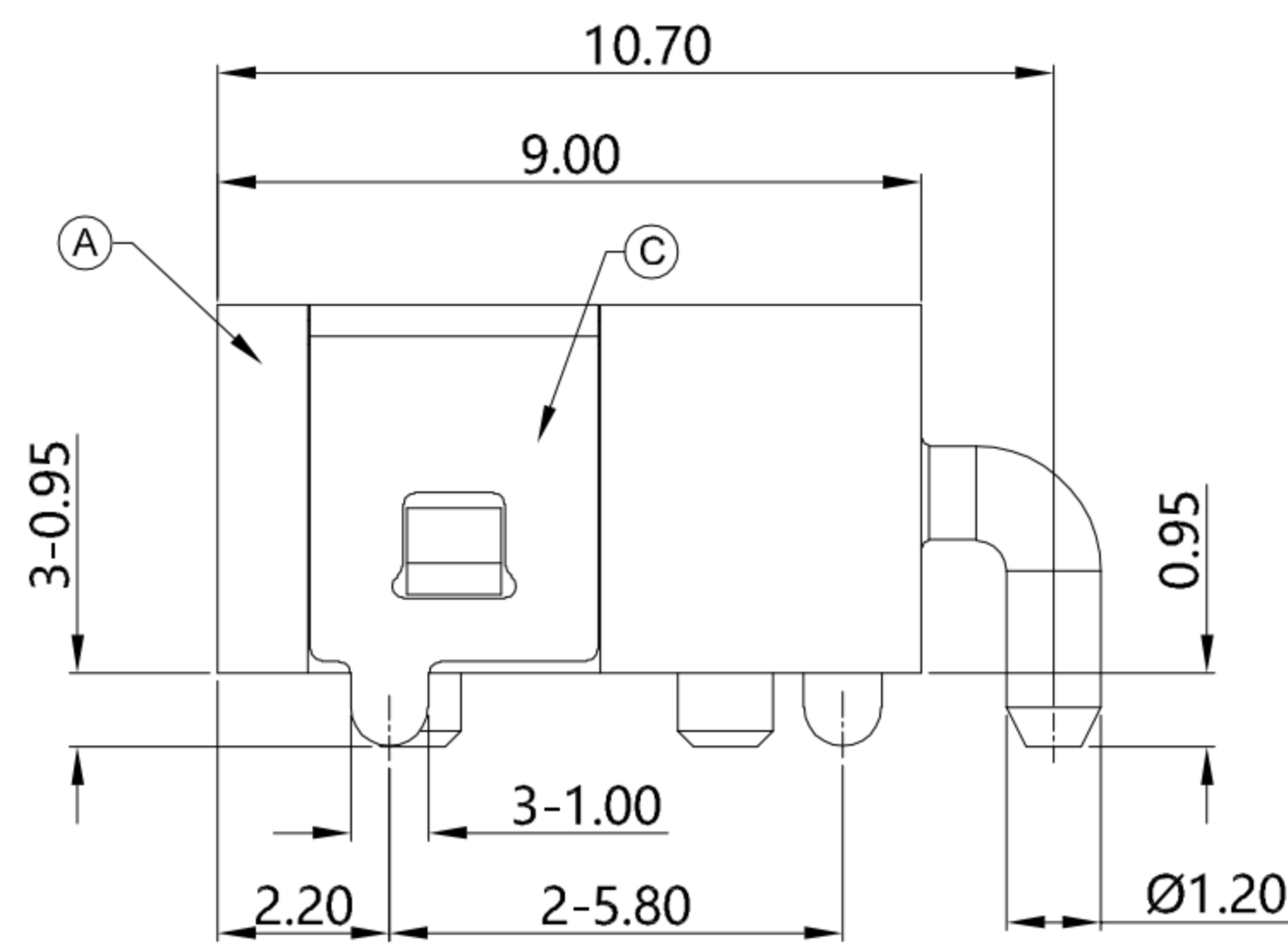
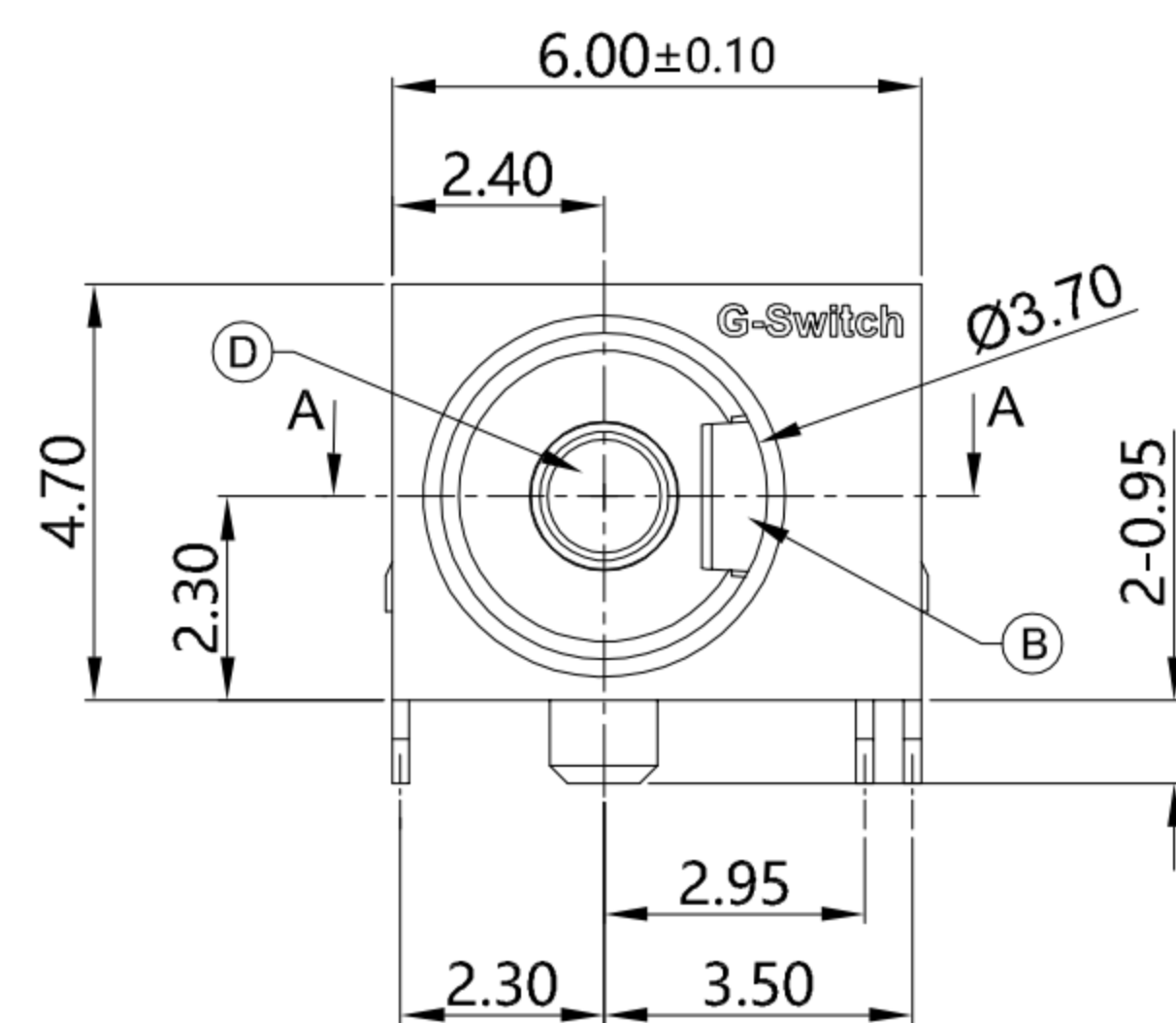
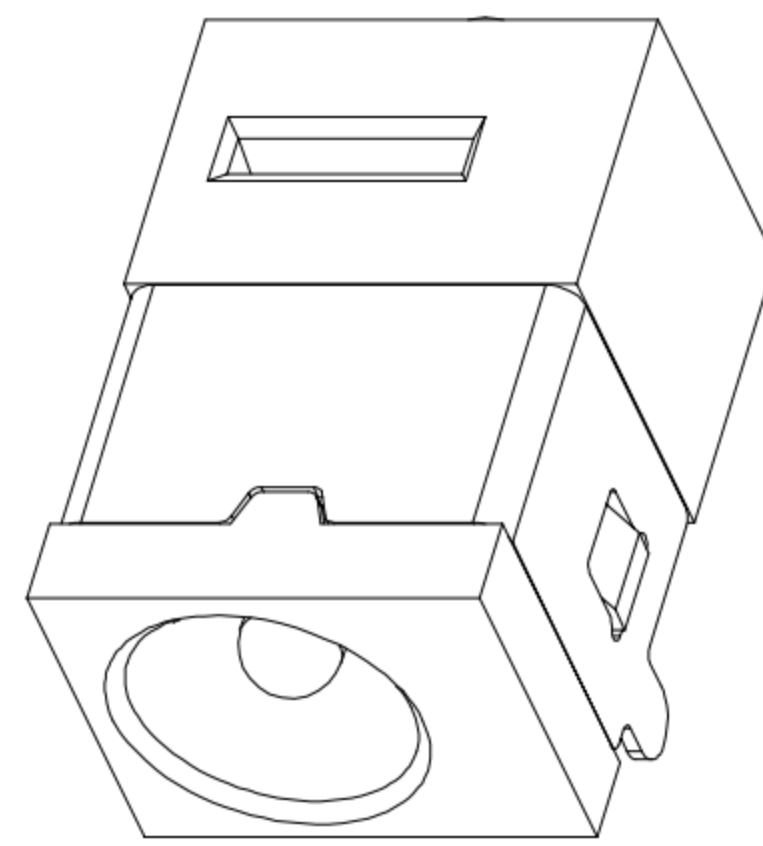
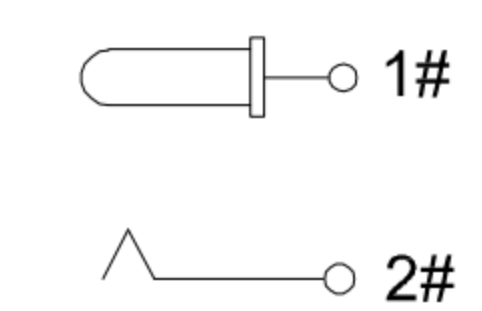


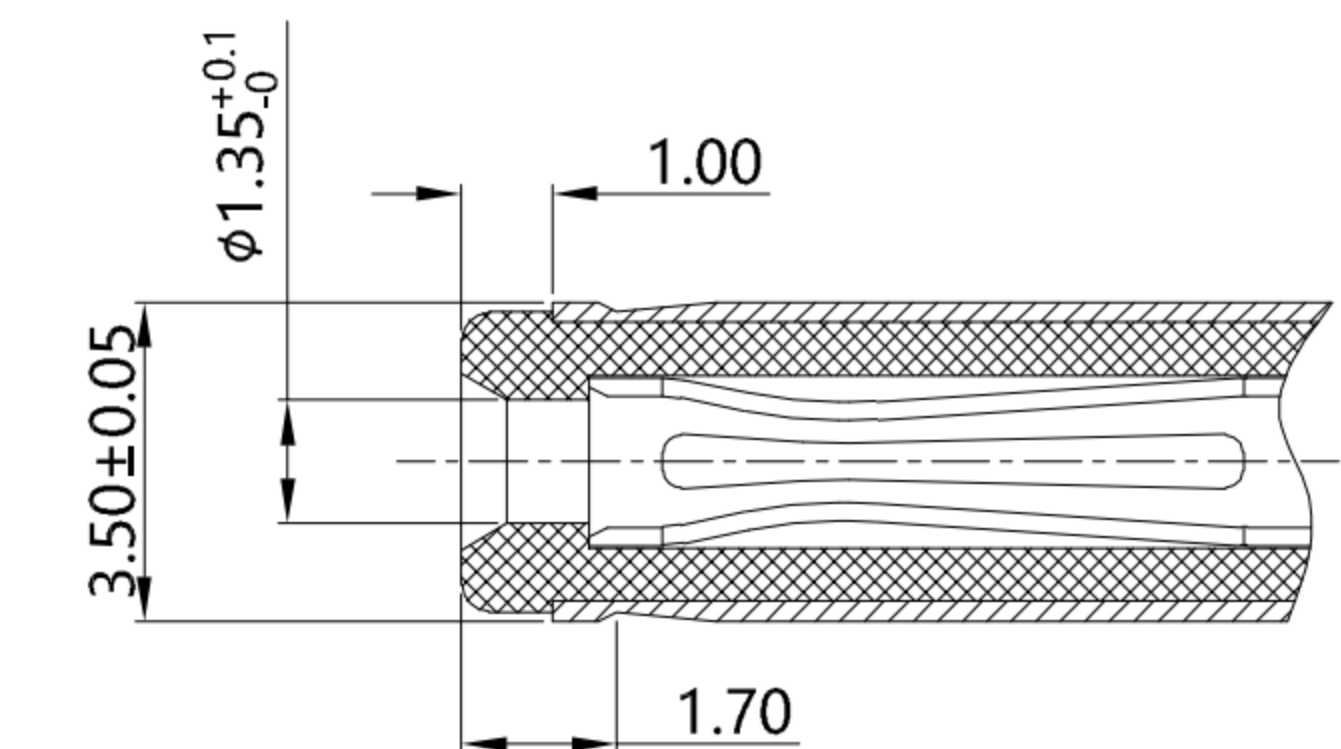
SECTION A-A



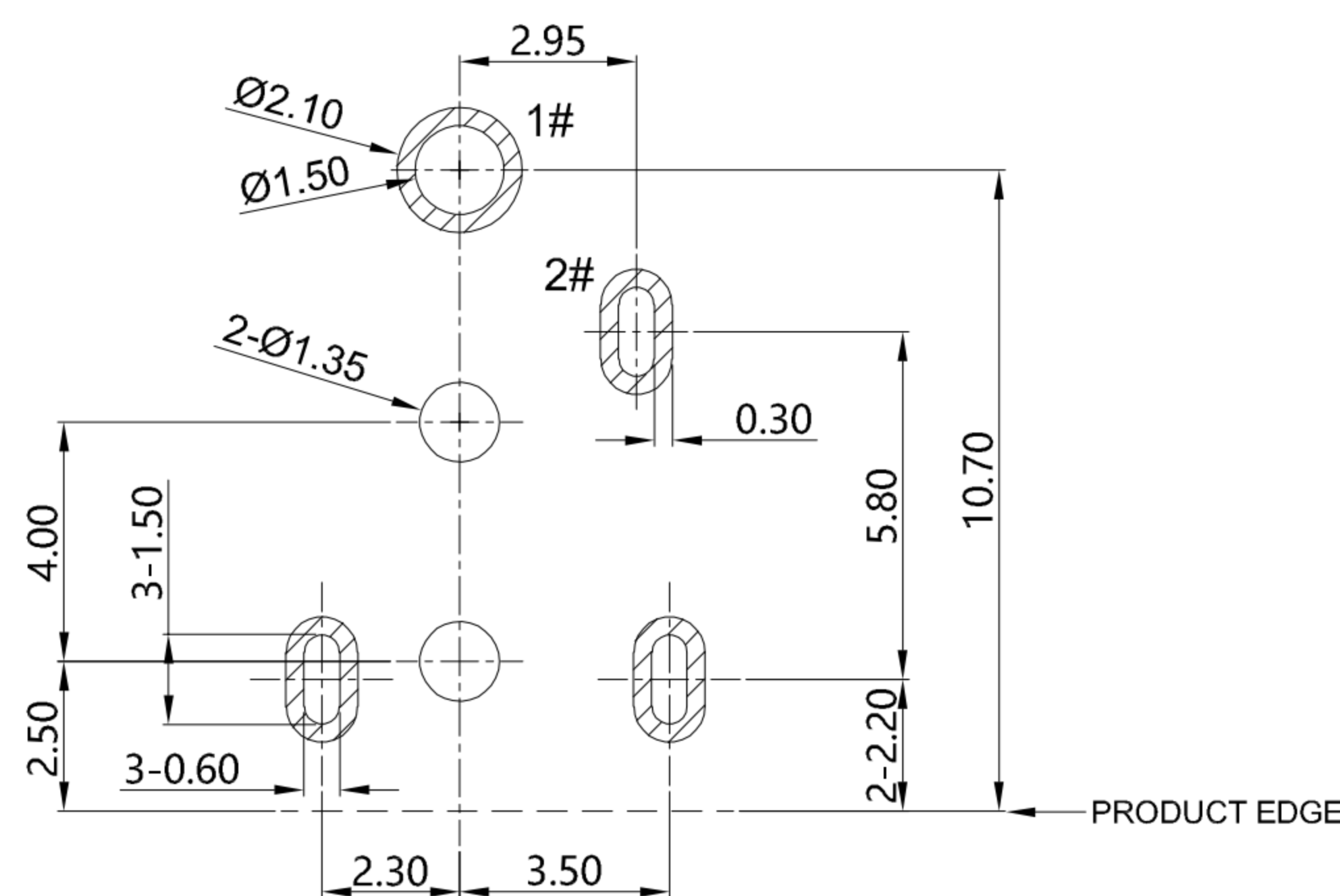
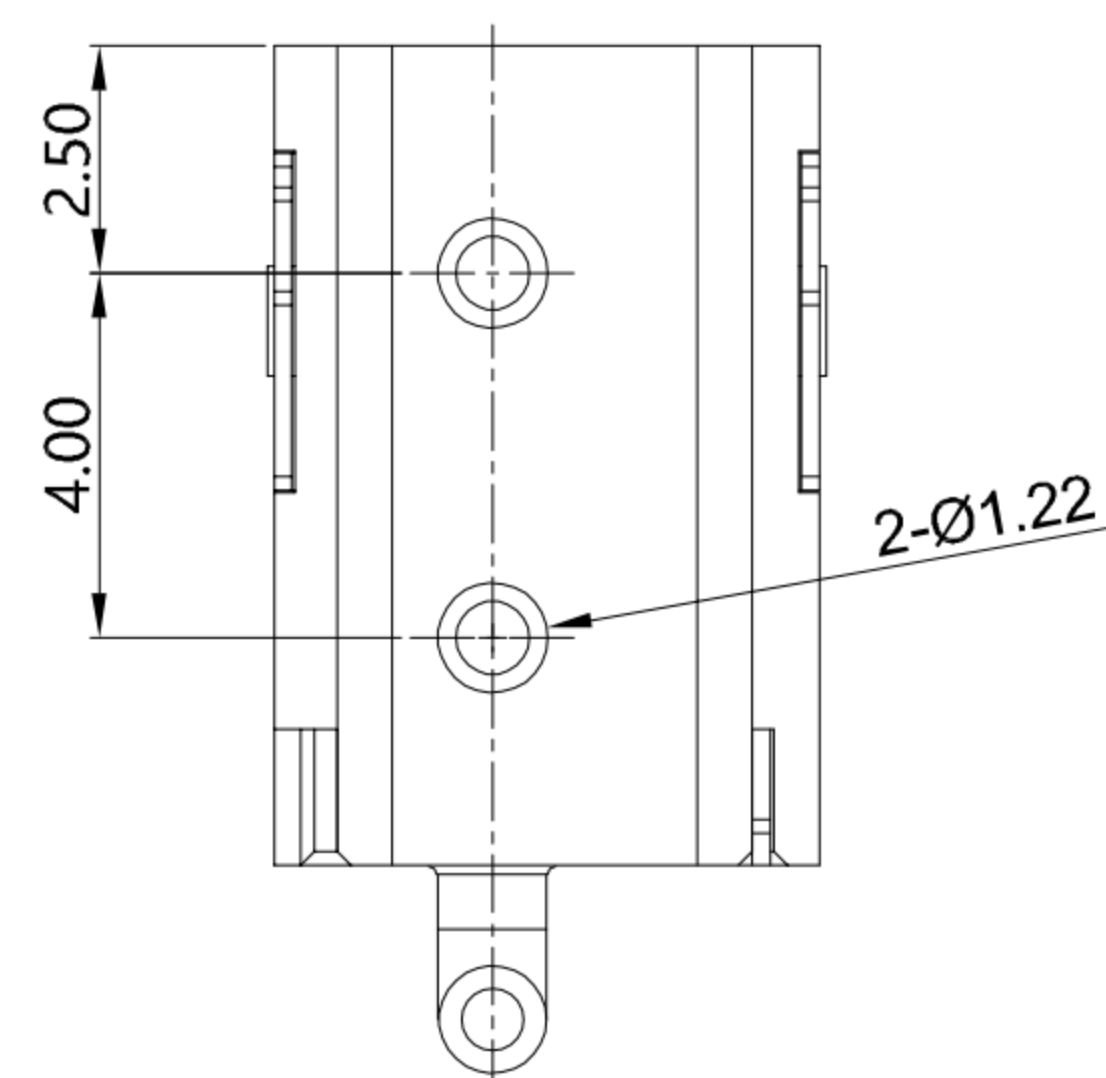
SCHEMATIC



CIRCUIT DIAGRAM



MATING PLUG Ø3.5xØ1.35mm



RECOMMENDED PCB LAYOUT
TOLERANCE:±0.05

G-Switch Specification:

1. Operating temperature range: -40°C ~ +85°C
2. Rated load: 3.5A, 12V DC
3. Insulation resistance: 100MΩ min
4. Withstand voltage: 500V AC/min
5. Contact resistance: 30mΩ max
6. Durability cycle: 5000 Cycles
7. Insertion and extraction force: 3-20N

NO.	DESCRIPTION	QTY	MATERIAL	PLATING
D	PIN	1	HB 159	Gold flash/Ni
C	CURVE PIECE	1	SUS 304	Ni 40u"
B	SPRING	1	C5191	Sn 80u"/Ni 40u"
A	HOUSING	1	PA46 BLACK	



SCALE: 1:1 UNIT: mm
SIZE: A4

Title: Horizontal DC Power Jack 35135
DIP CH=2.3 L=9.0 Ø1.3mm

Unless otherwise
General tolerance:
X ±0.50
X.x ±0.30
X.xx ±0.20
X.xxx ±0.10
X° ±2°

Molde Code: DC-S001C-D013-3.5A

DRAWN	CHECKED	APPROVED	DATE
Xia	Chen	Chen	2023.02.01



REV: A0 SHEET: 1/1