

REVISIONS				
REV	DATE	DESCRIPTION	OWN	APVD
A	19SEP2018	INITIAL RELEASE	N.S	I.Y
A1	28APR2023	ECN-23-211231	N.S	J.Z

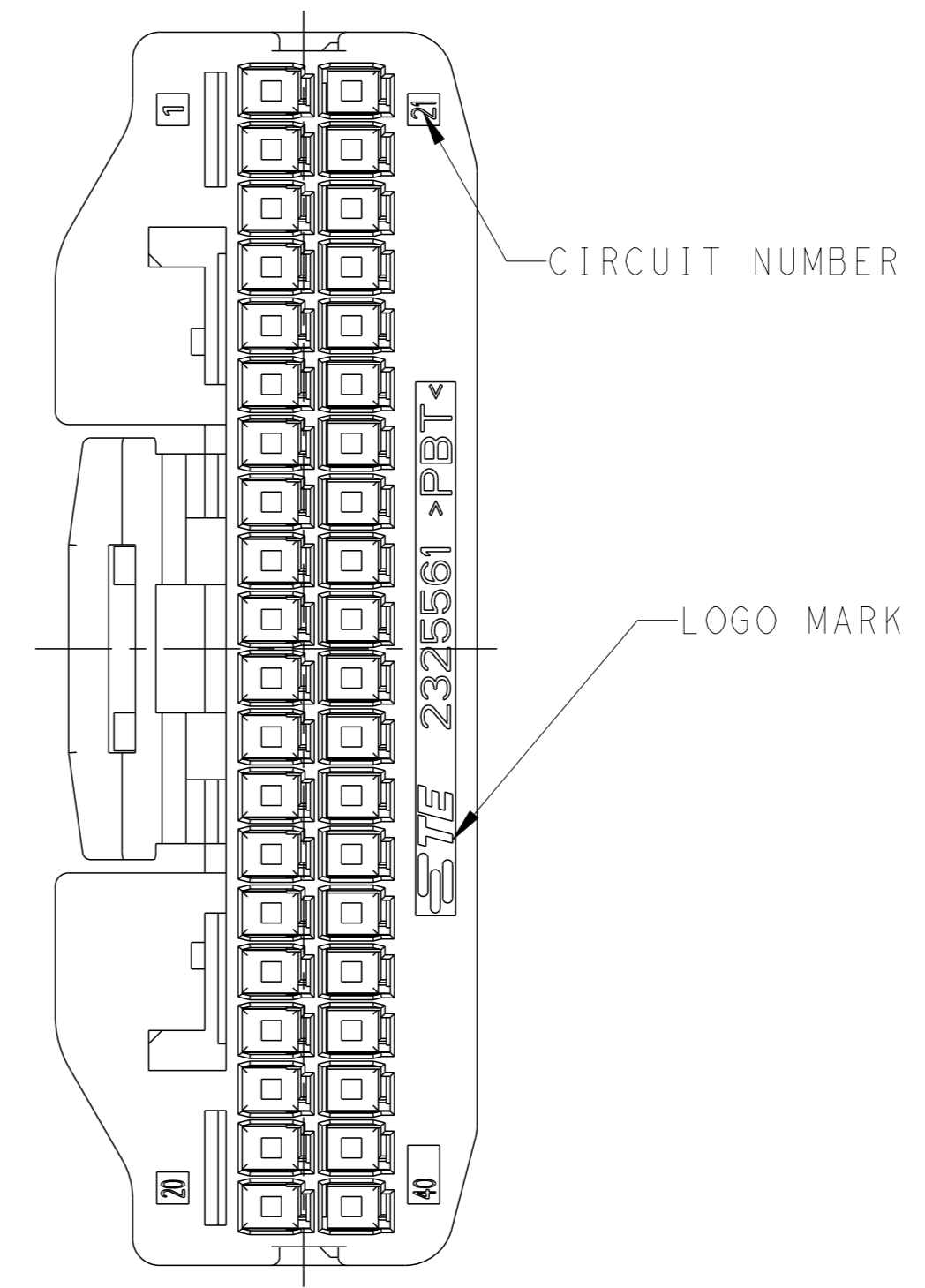
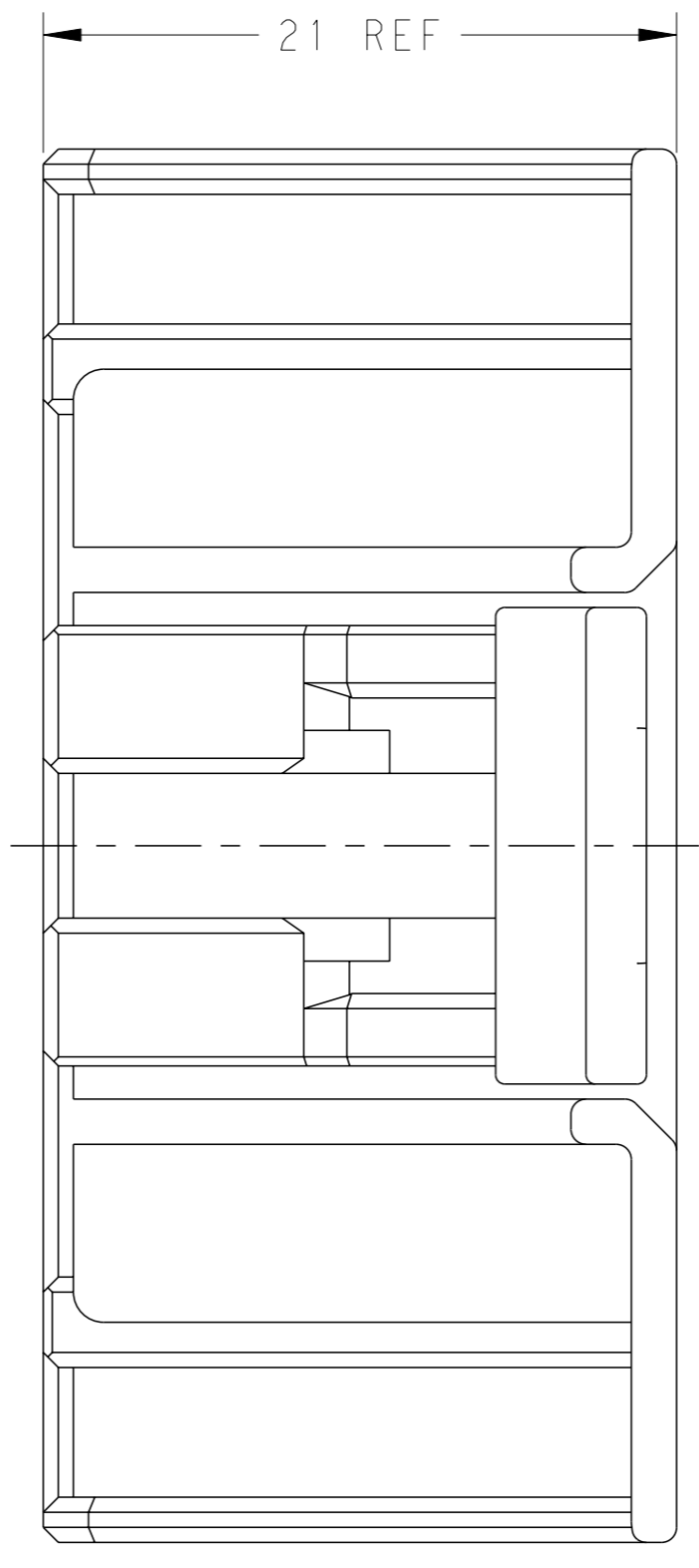
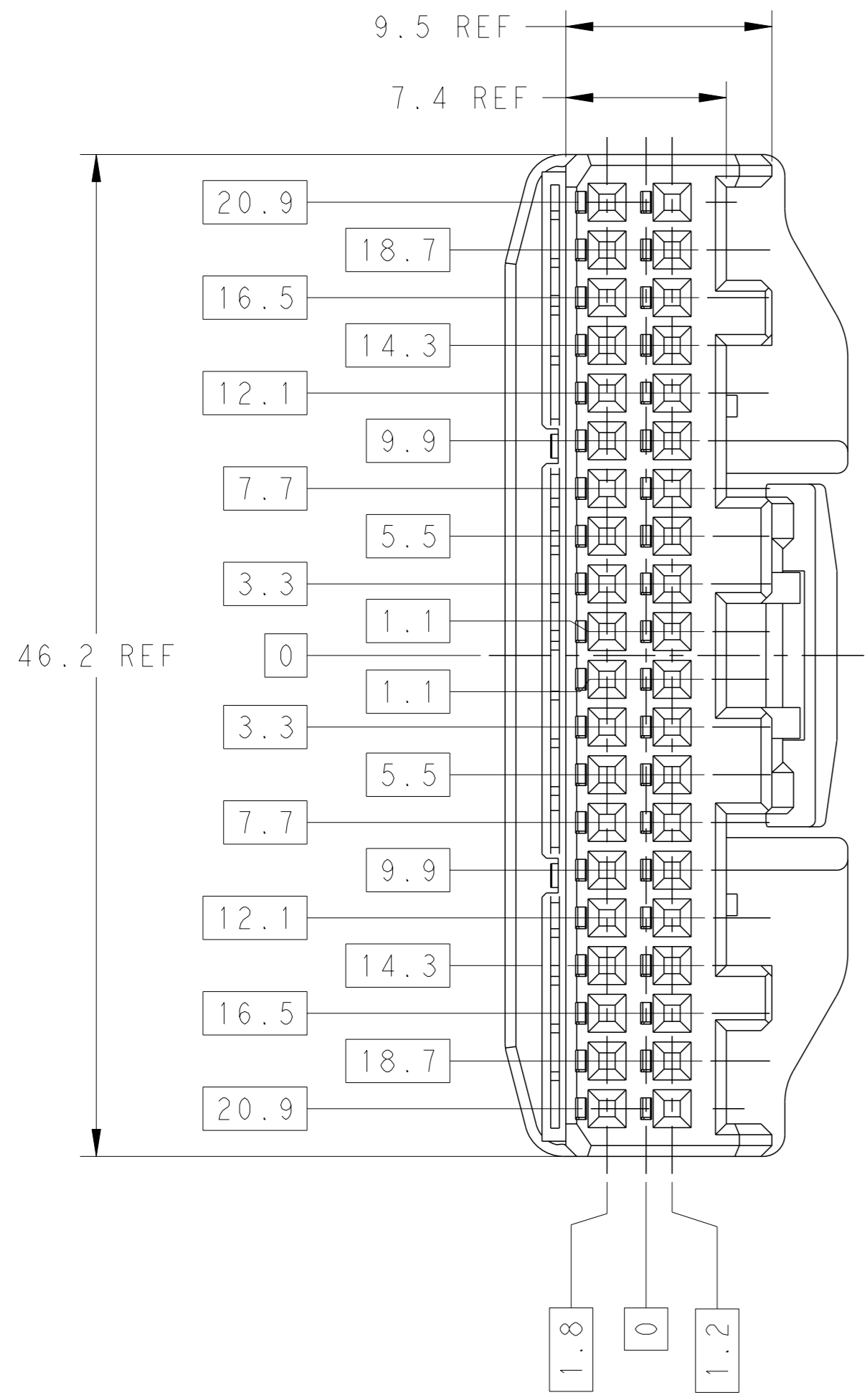


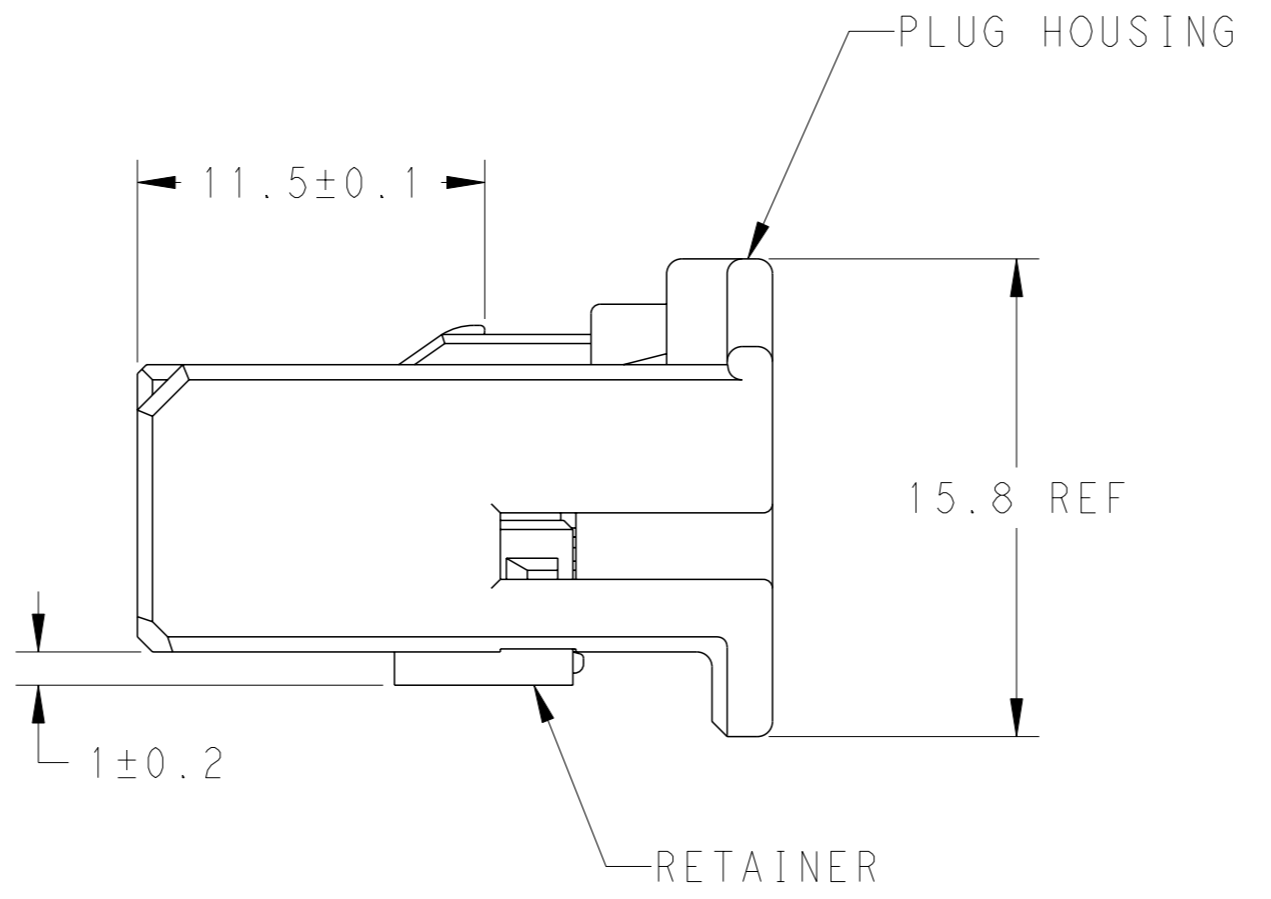
TABLE-1

POS	CAP ASSEMBLY PART NO	MOUNT TYPE
40	1318384,2322791	H-TYPE(90°)
	1376113,2322794	V-TYPE(180°)

TABLE-2

SIGNAL	TIN	TERMINAL NO	APPLICABLE WIRE RANGE
		1123343-1	AVSS/AVSSH 0.3~0.5mm <sup>2</sup>
025	SELECTIVE GOLD	1123343-2	CAVS/CAVUS 0.22~0.5mm <sup>2</sup>

- NOTE:
- 1.RETAINER SHOULD BE SET TO THE PRE-ASSEMBLY POSITION WITHIN THE PLUG HOUSING WHEN SHIPPED TO THE CUSTOMER.
  - 2.THE RETENTION LATCH OF THE RETAINER MUST BE OUT SIDE OF PLUG HOUSING WHEN PRE-ASSEMBLY.
  - 3.RETAINER RETENTION FORCE FROM HOUSING:20N MIN.
  - 4.INSTRUCTION SHEET NO:411-5928.
  - 5.PART NUMBER OF CAP HOUSING TO BE MATED:SEE TABLE-1.
  - 6.APPLIED TERMINAL:SEE TABLE-2.
  7. RETAINER IS THE SAME COLOR AS HOUSING.
  - 8.2325415-\* IS SUZHOU VERSION OF 1318389-\*,BOTH HAVE THE SAME PERFORMANCE.



CODING A	CODING B	CODING C	CODING D
 SCALE 2:1	 SCALE 2:1	 SCALE 2:1	 SCALE 2:1

PACKING STYLE	CODING	COLOR	PART NUMBER	
PAPER BOX	PLASTIC BAG	D	NUT BROWN	2325415-6
PAPER BOX	PLASTIC BAG	C	LEAF GREEN	2325415-5
PAPER BOX	PLASTIC BAG	B	CURRY YELLOW	2325415-4
PAPER BOX	PLASTIC BAG	A	BLUE	2325415-3
PAPER BOX	PLASTIC BAG	A	BLACK	2325415-2
PAPER BOX	PLASTIC BAG	A	NATURAL	2325415-1

THIS DRAWING IS A CONTROLLED DOCUMENT.

OWN: N. SONG 17OCT2017  
CHK: SY. WANG 27OCT2017  
APVD: J. YIN 27OCT2017

DIMENSIONS: mm  
TOLERANCES UNLESS OTHERWISE SPECIFIED: Tolerance=±0.3

MATERIAL: PBT  
FINISH: SEE TABLE

WEIGHT: 5.56g

NAME: 025 SERIES 40 POSITION PLUG HOUSING ASSY

SIZE: A1  
CAGE CODE: 00779  
DRAWING NO: 2325415

CUSTOMER DRAWING

SCALE: 5:1 SHEET: 1 OF 1 REV: A1