

**FC-ULCT1013-Series-35A.Current Sense Transformers**

Height: 21.0mm Max

Current Rating: up to 35A

Low Primary DCR version

**Isolation: AC3750Vrms UL**

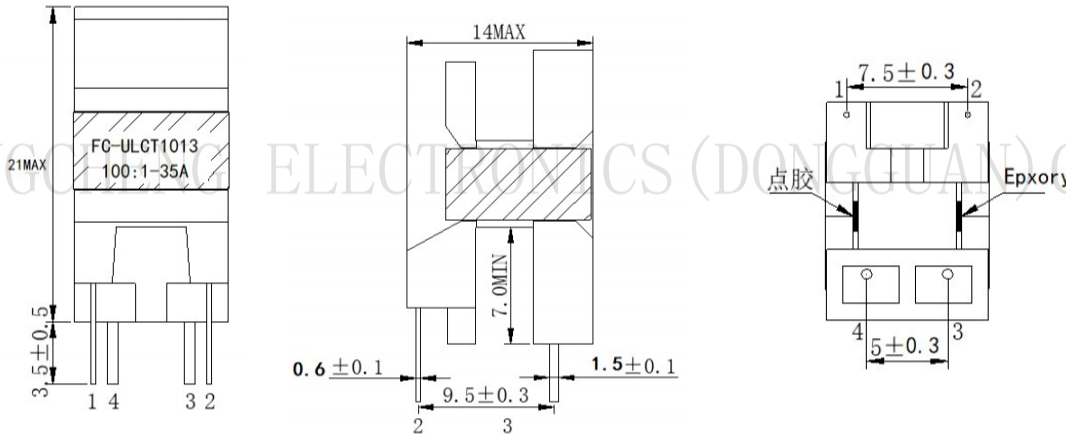
Ambient temperature  $-40^{\circ}\text{C}$  to  $+85^{\circ}\text{C}$

Storage temperature Component:  $-40^{\circ}\text{C}$  to  $+125^{\circ}\text{C}$

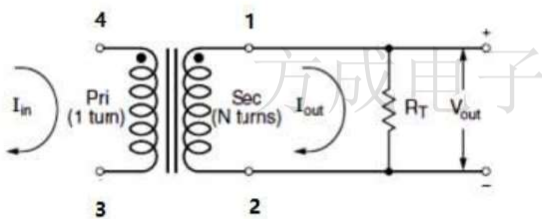


It is used as DC current transformer for various electronic device detection.

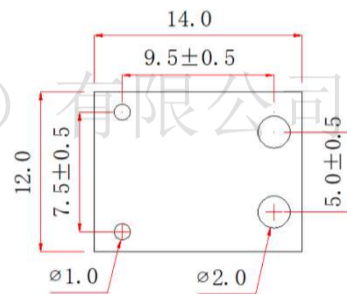
**1. Dimensions:mm**



**2.Schematic:**



**3.PCB,LAYOUT RECOMMENDATION**



**4.Electrical Characteristics :**

Part Number	Turns Ration	Current Rating NP4-3,(A)	Secondary Inductance (PIN1-2-mH min)	DCR (mΩ MAX)		Hipot (ACV <sub>RMS</sub> ) Np-Ns
				Primary (4-3)	Secondary (1-2)	
FC-ULCT1013-1:100-35A	1:100	35	5.0	0.8	2000	3750V
FC-ULCT1013-1:200-35A	1:200	35	20.0	0.8	6000	3750V

This specification applies to the DIP type UL current transformer **Current Sense Transformers**

It is used as DC current transformer for various electronic device detection.