

# SLG5NT1533V

## 20 mΩ, Fast Turn On, 2.5 A Load Switch with Discharge

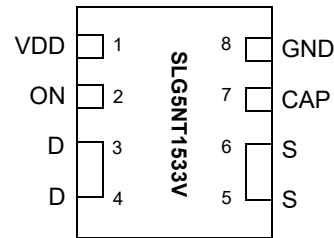
### General Description

The SLG5NT1533V is a 20 mΩ 2.5 A single-channel load switch with configurable slew rate control. The device can enable fast power rail turn on with big cap loading. Internal circuit limits max inrush current to prevent device damage. The product is packaged in an ultra-small 1.0 x 1.6 mm package.

### Features

- 1.0 x 1.6 x 0.55 mm FC-STDFN package (2 fused pins for drain and 2 fused pins for source)
- Logic level ON pin capable of supporting 0.85 V CMOS Logic
- Discharged Load when off
- Fast Turn On time
  - 32 μs,  $C_{SLEW} = 0.1 \text{ nF}$ ,  $C_{LOAD} = 1 \text{ μF}$ ,  $I_{DS} = 100 \text{ mA}$
  - 102 μs,  $C_{SLEW} = 0.5 \text{ nF}$ ,  $C_{LOAD} = 10 \text{ μF}$ ,  $I_{DS} = 2.5 \text{ A}$
- Low  $R_{DS(ON)}$  while supporting 2.5 A
  - 20 mΩ,  $V_{DD} = 5 \text{ V}$ ,  $V_D = 1 \text{ V}$
  - 27.5 mΩ,  $V_{DD} = 3.3 \text{ V}$ ,  $V_D = 1 \text{ V}$
- Pb-Free / Halogen-Free / RoHS compliant
- Operating Temperature: -40 °C to 85°C
- Operating Voltage: 2.5 V to 5.5 V
- Power Rail Switching  $V_D = 0.85 \text{ V}$  to  $V_D = V_{DD} - 1.5 \text{ V}$

### Pin Configuration

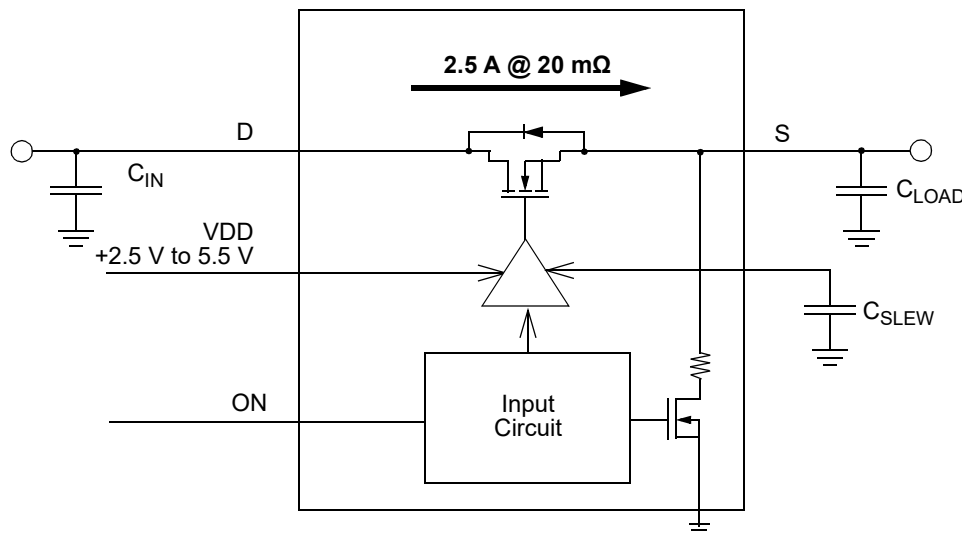


**8-pin FC-STDFN (Top View)**

### Applications

- Fast Turn On/Off power rail switching with big load capacitance
- Frequent wake & sleep power cycle
- Mobile devices and portable devices

### Block Diagram



## SLG5NT1533V

20 mΩ, Fast Turn On, 2.5 A  
Load Switch with Discharge

### Pin Description

Pin #	Pin Name	Type	Pin Description
1	VDD	PWR	VDD supplies the power for the operation of the load switch and internal control circuitry. Bypass the VDD pin to GND with a 0.1 μF (or larger) capacitor.
2	ON	Input	A low-to-high transition on this pin initiates the operation of the SLG5NT1533V's state machine. ON is a CMOS input with ON_V <sub>IL</sub> < 0.3 V and ON_V <sub>IH</sub> > 0.85 V thresholds. While there is an internal pull-down circuit to GND (~4 MΩ), connect this pin directly to a general-purpose output (GPO) of a microcontroller, an application processor, or a system controller.
3, 4	D	MOSFET	Drain terminal connection of the n-channel MOSFET (2 pins fused for V <sub>D</sub> ). Connect at least a low-ESR 0.1 μF capacitor from this pin to ground. Capacitors used at V <sub>D</sub> should be rated at 10 V or higher.
5, 6	S	MOSFET	Source terminal connection of the n-channel MOSFET (2 pins fused for V <sub>S</sub> ). Connect a low-ESR capacitor from this pin to ground and consult the Electrical Characteristics table for recommended C <sub>LOAD</sub> range. Capacitors used at V <sub>S</sub> should be rated at 10 V or higher.
7	CAP	Input	A low-ESR, stable dielectric, ceramic surface-mount capacitor connected from CAP pin to GND sets the V <sub>S</sub> slew rate and overall turn-on time of the SLG5NT1533V. Capacitors at CAP pin should be rated at 10 V or higher.
8	GND	GND	Ground connection. Connect this pin to system analog or power ground plane.

### Ordering Information

Part Number	Type	Production Flow
SLG5NT1533V	FC-STDFN 8L	Industrial, -40 °C to 85 °C
SLG5NT1533VTR	FC-STDFN 8L (Tape and Reel)	Industrial, -40 °C to 85 °C

## SLG5NT1533V

20 mΩ, Fast Turn On, 2.5 A  
Load Switch with Discharge

### Absolute Maximum Ratings

Parameter	Description	Conditions	Min.	Typ.	Max.	Unit
V <sub>DD</sub>	Power Supply		--	--	7	V
V <sub>D</sub> to GND	Load Switch Input Voltage to GND		-0.3	--	V <sub>DD</sub>	V
V <sub>S</sub> to GND	Load Switch Output Voltage to GND		-0.3	--	V <sub>D</sub>	V
ON and CAP to GND	ON and CAP Pin Voltages to GND		-0.3	--	V <sub>DD</sub>	V
T <sub>S</sub>	Storage Temperature		-65	--	150	°C
T <sub>J</sub>	Junction Temperature		--	--	150	°C
ESD <sub>HBM</sub>	ESD Protection	Human Body Model	2000	--	--	V
MSL	Moisture Sensitivity Level		1			
θ <sub>JA</sub>	Thermal Resistance	1.6 x 1 mm, 8L STDFN; Determined using 1 in <sup>2</sup> , 1 oz. copper pads under each VD and VS terminals and FR4 pcb material	--	75	--	°C/W
W <sub>DIS</sub>	Package Power Dissipation		--	--	0.4	W
MOSFET IDS <sub>PK</sub>	Peak Current from Drain to Source	For no more than 20 μs with 1% duty cycle	--	--	25.0	A
		For no more than 50 μs with 1% duty cycle	--	--	12.5	A
		For no more than 1 ms with 1% duty cycle	--	--	3.5	A

Note: Stresses greater than those listed under "Absolute Maximum Ratings" may cause permanent damage to the device. This is a stress rating only and functional operation of the device at these or any other conditions above those indicated in the operational sections of this specification is not implied. Exposure to absolute maximum rating conditions for extended periods may affect reliability.

### Electrical Characteristics

T<sub>A</sub> = -40 °C to 85 °C. Typical values are at T<sub>A</sub> = 25 °C unless otherwise noted.

Parameter	Description	Conditions	Min.	Typ.	Max.	Unit
V <sub>DD</sub>	Power Supply Voltage	-40 °C to 85 °C	2.5	--	5.5	V
I <sub>DD</sub>	Power Supply Current (PIN 1)	when OFF	--	--	1	μA
		when ON, No load	--	--	10	μA
RDS <sub>ON</sub>	ON Resistance, T <sub>A</sub> = 25°C	V <sub>DD</sub> = 5 V, V <sub>D</sub> = 1.0 V, V <sub>DD</sub> - V <sub>D</sub> = 4.0 V, R <sub>LOAD</sub> = 0.5 Ω	--	20	24	mΩ
		V <sub>DD</sub> = 3.3 V, V <sub>D</sub> = 1.0 V, V <sub>DD</sub> - V <sub>D</sub> = 2.3 V, R <sub>LOAD</sub> = 0.5 Ω	--	27.5	31	mΩ
	ON Resistance, T <sub>A</sub> = 70°C	V <sub>DD</sub> = 5 V, V <sub>D</sub> = 1.0 V, V <sub>DD</sub> - V <sub>D</sub> = 4.0 V, R <sub>LOAD</sub> = 0.5 Ω	--	23.5	27	mΩ
		V <sub>DD</sub> = 3.3 V, V <sub>D</sub> = 1.0 V, V <sub>DD</sub> - V <sub>D</sub> = 2.3 V, R <sub>LOAD</sub> = 0.5 Ω	--	31	35	mΩ
	ON Resistance, T <sub>A</sub> = 85°C	V <sub>DD</sub> = 5 V, V <sub>D</sub> = 1.0 V, V <sub>DD</sub> - V <sub>D</sub> = 4.0 V, R <sub>LOAD</sub> = 0.5 Ω	--	24.5	28	mΩ
		V <sub>DD</sub> = 3.3 V, V <sub>D</sub> = 1.0 V, V <sub>DD</sub> - V <sub>D</sub> = 2.3 V, R <sub>LOAD</sub> = 0.5 Ω	--	33	37	mΩ
MOSFET IDS	Current from D to S	Continuous, V <sub>D</sub> = 0.85 V to 3.3 V	--	--	2.5	A
V <sub>D</sub>	Drain Voltage		0.85	--	V <sub>DD</sub> - 1.5	V

## SLG5NT1533V

### 20 mΩ, Fast Turn On, 2.5 A Load Switch with Discharge

#### Electrical Characteristics (continued)

$T_A = -40\text{ }^{\circ}\text{C}$  to  $85\text{ }^{\circ}\text{C}$ . Typical values are at  $T_A = 25\text{ }^{\circ}\text{C}$  unless otherwise noted.

Parameter	Description	Conditions	Min.	Typ.	Max.	Unit
$T_{ON\_Delay}$	ON Delay Time	50% ON to 10% $V_S$ , $V_{DD} = 5\text{ V}$ , $V_D = 1.0\text{ V}$ , $C_{SLEW} = 0.1\text{ nF}$	--	12	15	$\mu\text{s}$
		50% ON to 10% $V_S$ , $V_{DD} = 5\text{ V}$ , $V_D = 1.0\text{ V}$ , $C_{SLEW} = 0.5\text{ nF}$	--	32	35	$\mu\text{s}$
$T_{Total\_ON}$	Total Turn On Time	50% ON to 90% $V_S$	Set by External $C_{SLEW}$ <sup>1</sup>			$\mu\text{s}$
		50% ON to 90% $V_S$ , $V_{DD} = 5\text{ V}$ , $V_D = 1.0\text{ V}$ , $C_{LOAD} = 1\text{ }\mu\text{F}$ , $I_{DS} = 50\text{ mA}$ , $C_{SLEW} = 0.1\text{ nF}$	--	32	39	$\mu\text{s}$
		50% ON to 90% $V_S$ , $V_{DD} = 5\text{ V}$ , $V_D = 1.0\text{ V}$ , $C_{LOAD} = 1\text{ }\mu\text{F}$ , $I_{DS} = 100\text{ mA}$ , $C_{SLEW} = 0.1\text{ nF}$	--	32	39	$\mu\text{s}$
		50% ON to 90% $V_S$ , $V_{DD} = 5\text{ V}$ , $V_D = 1.0\text{ V}$ , $C_{LOAD} = 4.7\text{ }\mu\text{F}$ , $I_{DS} = 2.5\text{ A}$ , $C_{SLEW} = 0.5\text{ nF}$	--	102	123	$\mu\text{s}$
		50% ON to 90% $V_S$ , $V_{DD} = 5\text{ V}$ , $V_D = 1.0\text{ V}$ , $C_{LOAD} = 10\text{ }\mu\text{F}$ , $I_{DS} = 2.5\text{ A}$ , $C_{SLEW} = 0.5\text{ nF}$	--	102	123	$\mu\text{s}$
$V_{S(SR)}$	Slew Rate	10% $V_S$ to 90% $V_S$	Set by External $C_{SLEW}$ <sup>1</sup>			V/ms
		10% $V_S$ to 90% $V_S$ , $V_{DD} = 5\text{ V}$ , $V_D = 1.0\text{ V}$ , $C_{LOAD} = 1\text{ }\mu\text{F}$ , $I_{DS} = 50\text{ mA}$ , $C_{SLEW} = 0.1\text{ nF}$	--	65	78	V/ms
		10% $V_S$ to 90% $V_S$ , $V_{DD} = 5\text{ V}$ , $V_D = 1.0\text{ V}$ , $C_{LOAD} = 1\text{ }\mu\text{F}$ , $I_{DS} = 100\text{ mA}$ , $C_{SLEW} = 0.1\text{ nF}$	--	65	78	V/ms
		10% $V_S$ to 90% $V_S$ , $V_{DD} = 5\text{ V}$ , $V_D = 1.0\text{ V}$ , $C_{LOAD} = 4.7\text{ }\mu\text{F}$ , $I_{DS} = 2.5\text{ A}$ , $C_{SLEW} = 0.5\text{ nF}$	--	13	16	V/ms
		10% $V_S$ to 90% $V_S$ , $V_{DD} = 5\text{ V}$ , $V_D = 1.0\text{ V}$ , $C_{LOAD} = 10\text{ }\mu\text{F}$ , $I_{DS} = 2.5\text{ A}$ , $C_{SLEW} = 0.5\text{ nF}$	--	13.5	16.5	V/ms
$C_{LOAD}$	Output Load Capacitance	$C_{LOAD}$ connected from S to GND	--	--	10	$\mu\text{F}$
$R_{DISCHRG}$	Discharge Resistance		100	150	300	$\Omega$
$ON\_V_{IH}$	High Input Voltage on ON pin		0.85	--	$V_{DD}$	V
$ON\_V_{IL}$	Low Input Voltage on ON pin		-0.3	0	0.3	V
$T_{OFF\_Delay}$	OFF Delay Time	50% ON to $V_S$ Fall Start, no $C_{LOAD}$ , $R_{LOAD} = 20\text{ }\Omega$ , $V_{DD} = 5\text{ V}$ , $V_D = 1.0\text{ V}$ , No $C_{SLEW}$	--	120	150	$\mu\text{s}$
$THERM_{OFF}$	Thermal shutoff turn-off temperature	Programmable, automatic shutoff temperature	--	125	--	$^{\circ}\text{C}$
$THERM_{OFFACC}$	Thermal Sensor Accuracy		--	--	$\pm 20$	%
$THERM_{DT}$	Thermal Disable Time	Thermal sensor disable for the ON rising edge to 100 $\mu\text{s}$ . Prevent thermal shutdown from inrush current	--	--	100	$\mu\text{s}$

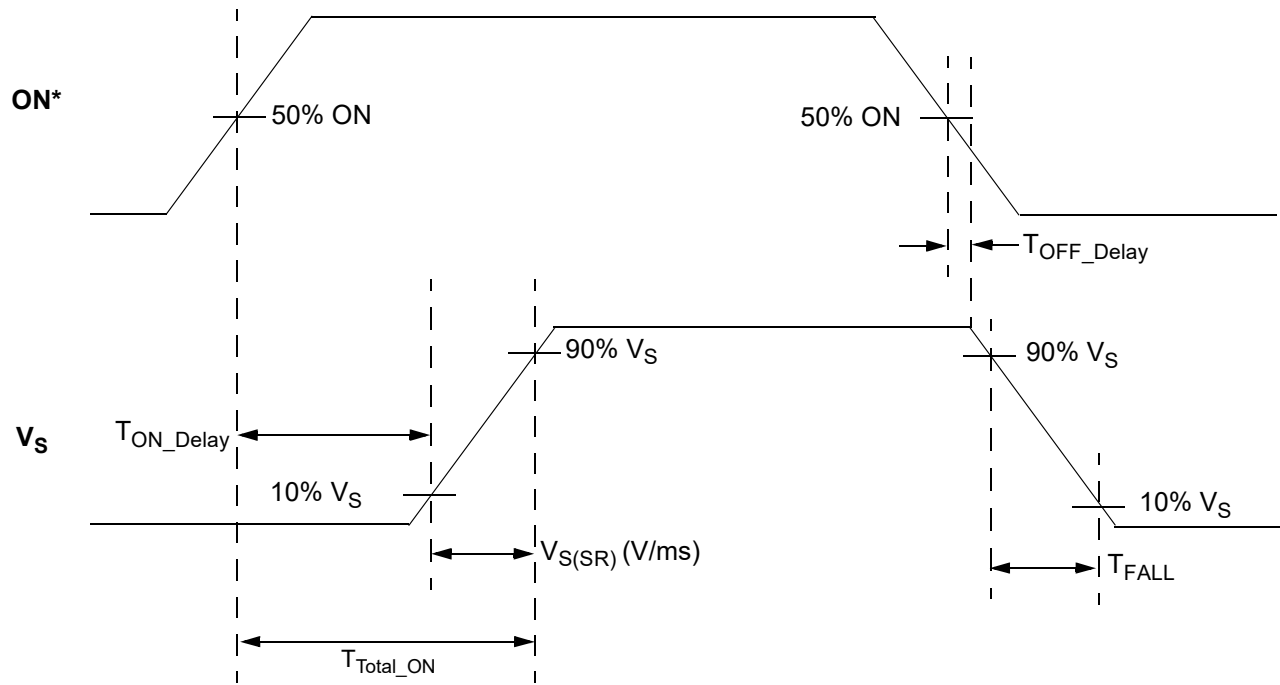
Notes:

1. Refer to typical timing parameter vs.  $C_{SLEW}$  performance charts for additional information when available.

SLG5NT1533V

20 mΩ, Fast Turn On, 2.5 A  
Load Switch with Discharge

$T_{ON\_Delay}$ ,  $V_{S(SR)}$ , and  $T_{Total\_ON}$  Timing Details



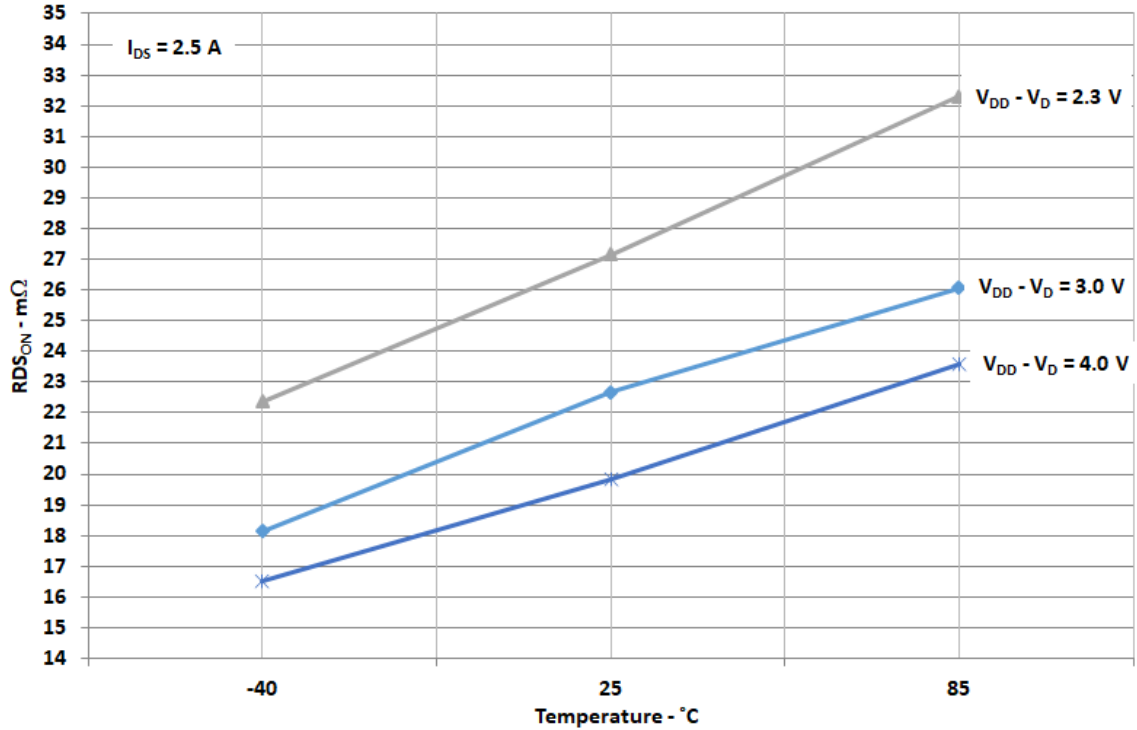
Note: \* Rise and Fall times of the ON signal are 100 ns

# SLG5NT1533V

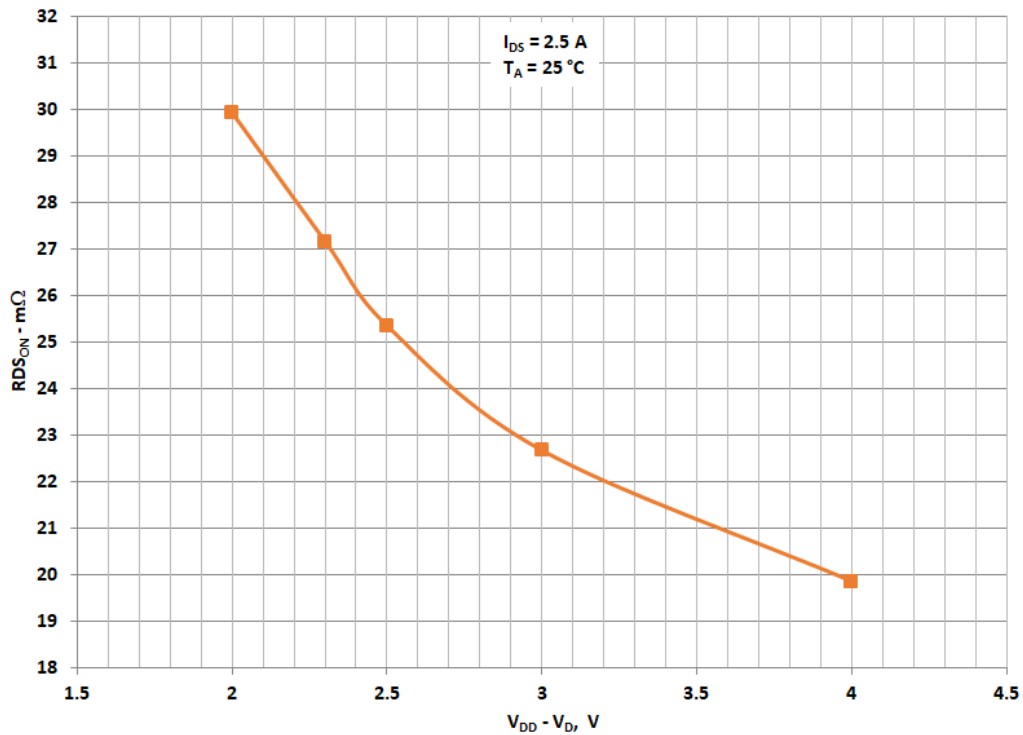
20 mΩ, Fast Turn On, 2.5 A  
Load Switch with Discharge

## Typical Performance Characteristics

### RDS<sub>ON</sub> vs. Temperature and V<sub>DD</sub> - V<sub>D</sub>



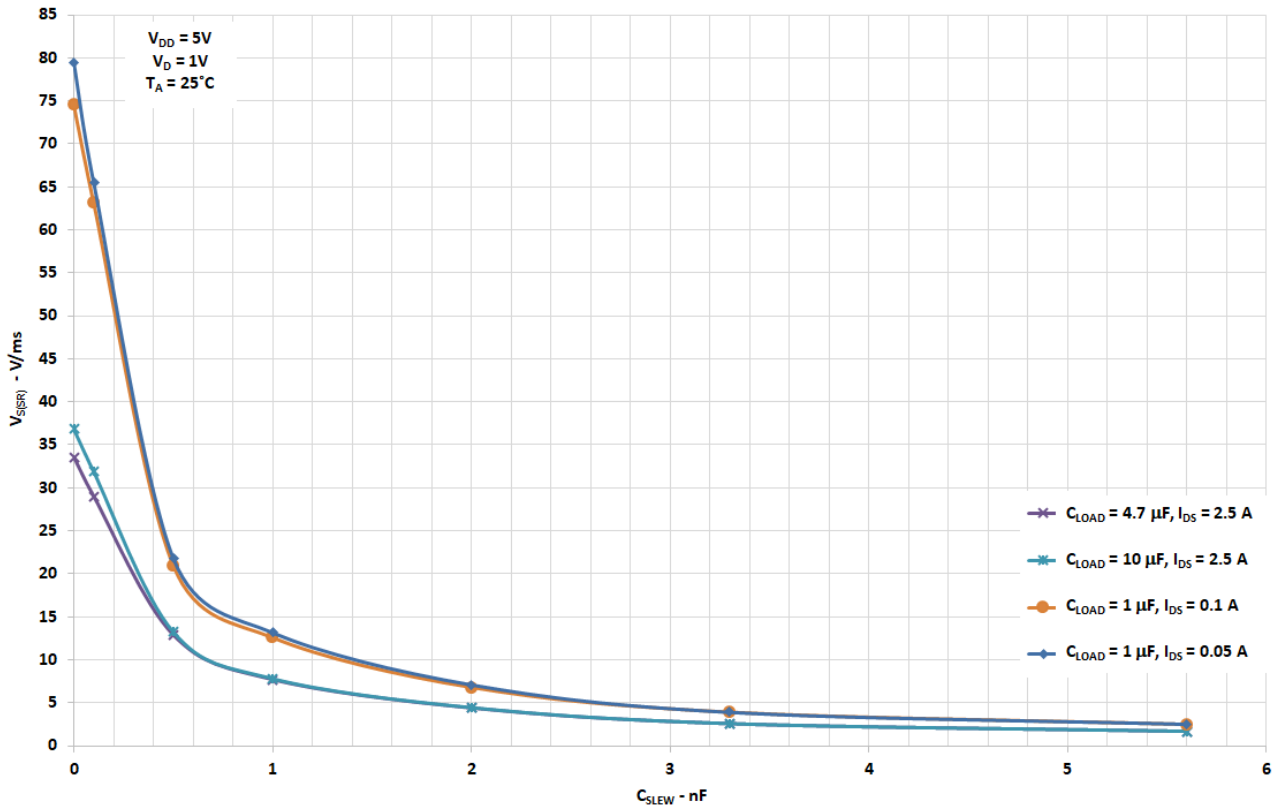
### RDS<sub>ON</sub> vs. V<sub>DD</sub> - V<sub>D</sub>



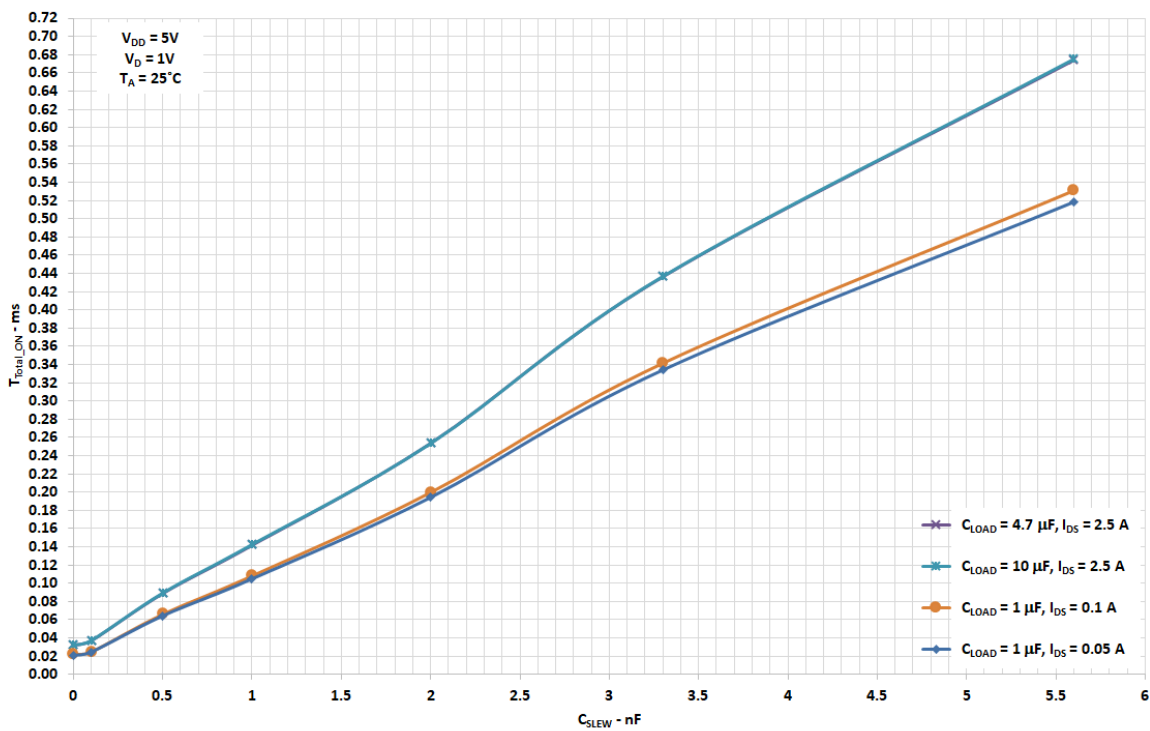
SLG5NT1533V

20 mΩ, Fast Turn On, 2.5 A Load Switch with Discharge

V<sub>S</sub> Slew Rate vs. C<sub>SLEW</sub>



T<sub>Total\_ON</sub> vs. C<sub>SLEW</sub>



## SLG5NT1533V

### 20 mΩ, Fast Turn On, 2.5 A Load Switch with Discharge

#### SLG5NT1533V Power-Up/Power-Down Sequence Considerations

A nominal power-up sequence is to apply  $V_{DD}$  first, followed by  $V_D$  only after  $V_{DD}$  is  $> 90\%$  of final  $V_{DD}$ , and finally toggling the ON pin LOW-to-HIGH after  $V_D$  is at least 90% of its final value.

A nominal power-down sequence is the power-up sequence in reverse order.

If  $V_{DD}$  and  $V_D$  are applied at the same time, a voltage glitch may appear on the output pin at  $V_S$ . To prevent glitches at the output, it is recommended to connect at least a 1  $\mu\text{F}$  capacitor from the S pin to GND and to keep the  $V_{DD}$  and  $V_D$  ramp times higher than 2 ms.

If the ON pin is toggled HIGH before  $V_{DD}$  and  $V_D$  have reached their steady-state values the load switch timing parameters may differ from datasheet specifications.

#### Power Dissipation

The junction temperature of the SLG5NT1533V depends on different factors such as board layout, ambient temperature, and other environmental factors. The primary contributor to the increase in the junction temperature of the SLG5NT1533V is the power dissipation of its power MOSFET. Its power dissipation and the junction temperature in nominal operating mode can be calculated using the following equations:

$$PD = (R_{DS_{ON}} \times I_{DS}^2) + (V_{DD} \times I_{DD})$$

where:

PD = Power dissipation, in Watts (W)

$R_{DS_{ON}}$  = Power MOSFET ON resistance, in Ohms ( $\Omega$ )

$I_{DS}$  = Output current, in Amps (A)

$V_{DD}$  = Power supply voltage applied to the SLG5NT1533V, in Volts (V)

$I_{DD}$  = Power supply current of the SLG5NT1533V at  $V_{DD}$ , in Amps (A)

and

$$T_J = PD \times \theta_{JA} + T_A$$

where:

$T_J$  = Junction temperature, in Celsius degrees ( $^{\circ}\text{C}$ )

$\theta_{JA}$  = Package thermal resistance, in Celsius degrees per Watt ( $^{\circ}\text{C}/\text{W}$ ) = 75  $^{\circ}\text{C}/\text{W}$  for the SLG5NT1533V's STDFN package.

$T_A$  = Ambient temperature, in Celsius degrees ( $^{\circ}\text{C}$ )

For more information on GreenFET load switch features, please visit our website and see App Note "AN-1068 GreenFET and High Voltage GreenFET Load Switch Basics".



## SLG5NT1533V

20 mΩ, Fast Turn On, 2.5 A  
Load Switch with Discharge

### Layout Guidelines:

1. The VDD pin needs a 0.1μF (or larger) external capacitor to smooth pulses from the power supply. Locate this capacitor as close as possible to the SLG5NT1533V's pin 1.
2. Since the D and S pins dissipate most of the heat generated during high-load current operation, it is highly recommended to make power traces as short, direct, and wide as possible. A good practice is to make power traces with absolute minimum widths of 15 mils (0.381 mm) per Ampere. A representative layout, shown in [Figure 1](#), illustrates proper techniques for heat to transfer as efficiently as possible out of the device;
3. To minimize the effects of parasitic trace inductance on normal operation, it is recommended to connect input C<sub>IN</sub> and output C<sub>LOAD</sub> low-ESR capacitors as close as possible to the SLG5NT1533V's D and S pins;
4. The GND pin should be connected to system analog or power ground plane.
5. 2 oz. copper is recommended for high current operation.

### SLG5NT1533V Evaluation Board:

A GFET3 Evaluation Board for SLG5NT1533V is designed according to the statements above and is illustrated on [Figure 1](#). Please note that evaluation board has D\_Sense and S\_Sense pads. They cannot carry high currents and dedicated only for RDS<sub>ON</sub> evaluation.

Please solder your SLG5NT1533V here

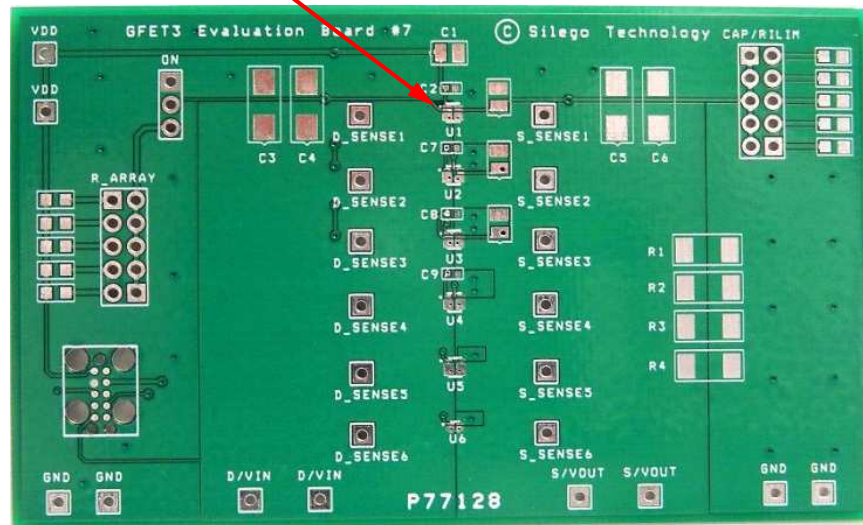


Figure 1. SLG5NT1533V Evaluation Board

SLG5NT1533V

20 mΩ, Fast Turn On, 2.5 A  
Load Switch with Discharge

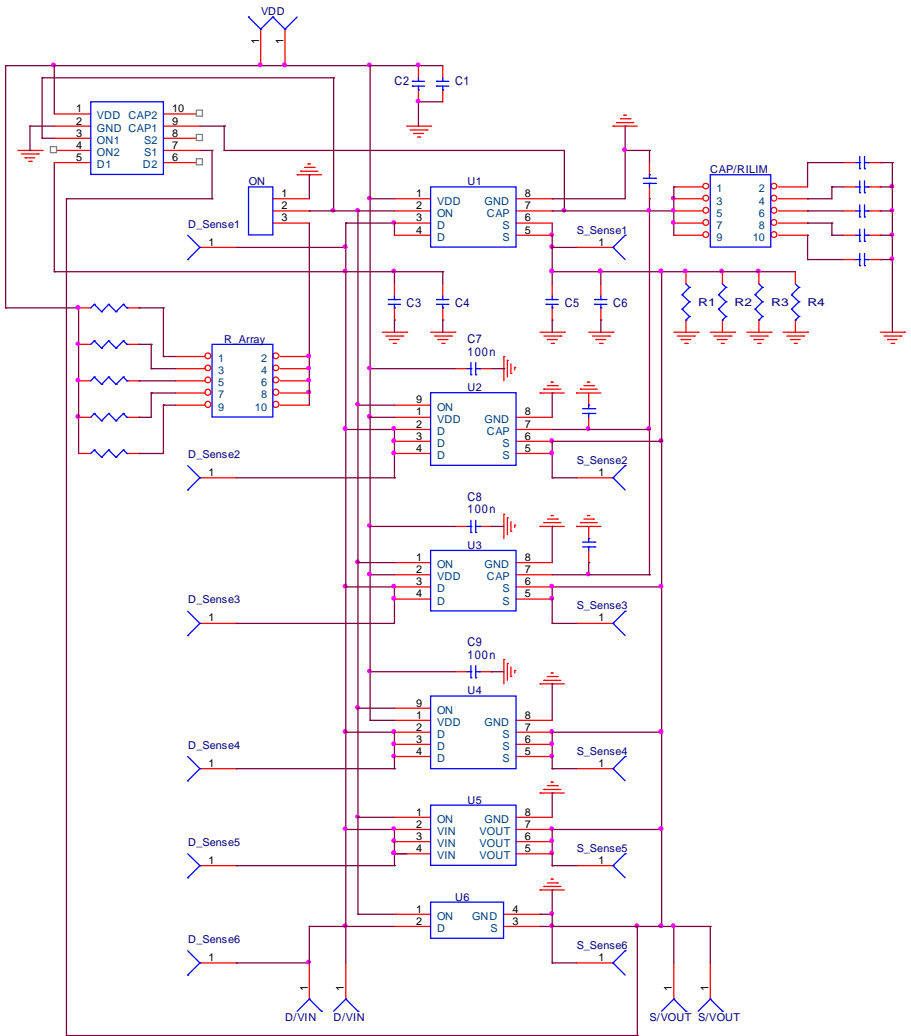


Figure 2. SLG5NT1533V Evaluation Board Connection Circuit

## SLG5NT1533V

20 mΩ, Fast Turn On, 2.5 A  
Load Switch with Discharge

### Basic Test Setup and Connections

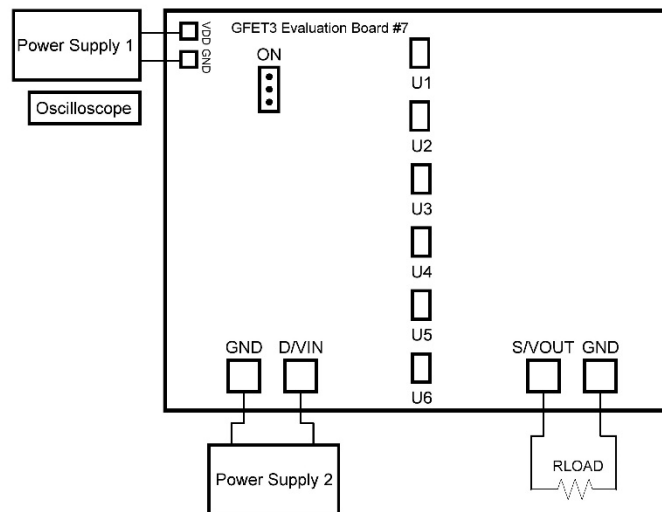


Figure 3. SLG5NT1533V Evaluation Board Connection Circuit

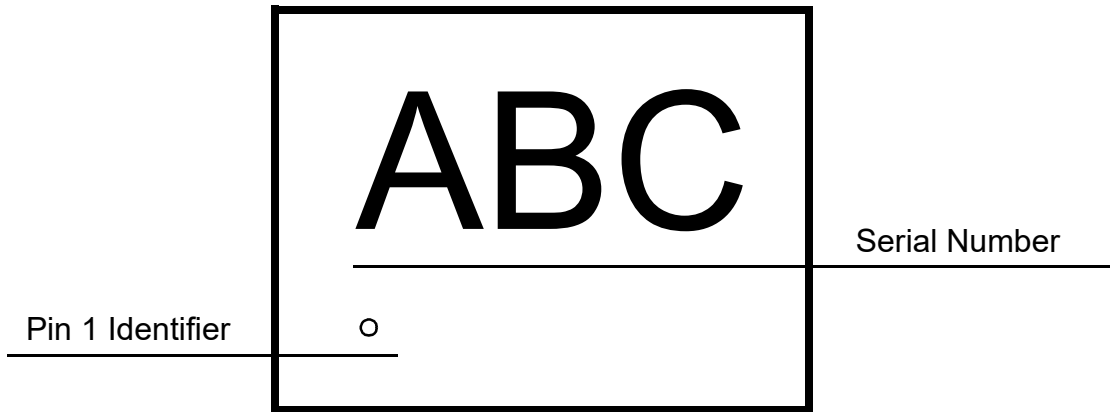
#### EVB Configuration

1. Connect oscilloscope probes to D/VIN, S/VOUT, ON, etc.;
2. Turn on Power Supply 1 and set desired  $V_{DD}$  from 2.5 V...5.5 V range;
3. Turn on Power Supply 2 and set desired  $V_D$  from 0.85 V... $V_{DD} - 1.5$  V range;
4. Toggle the ON signal High or Low to observe SLG5NT1533V operation.

**SLG5NT1533V**

20 mΩ, Fast Turn On, 2.5 A  
Load Switch with Discharge

**Package Top Marking System Definition**



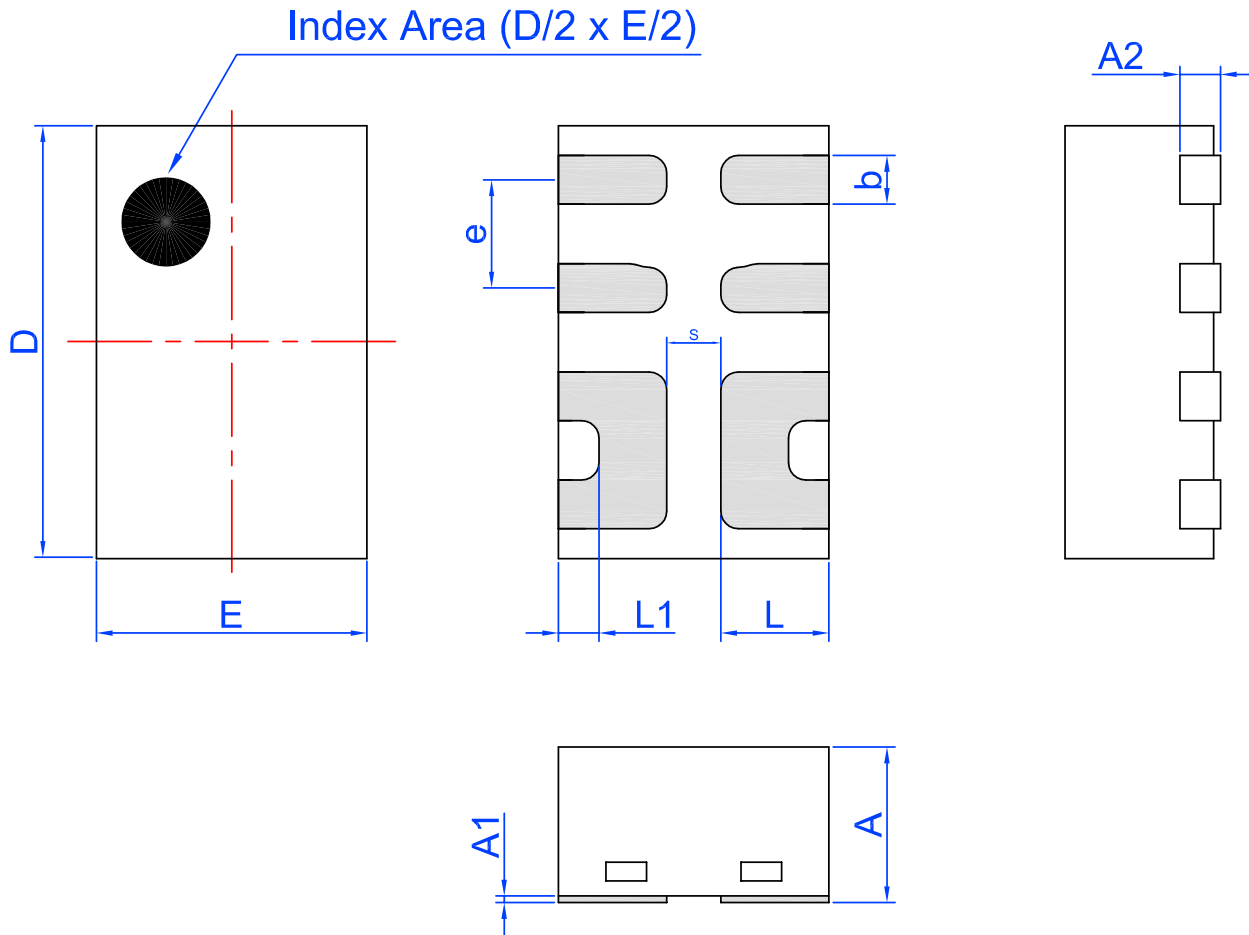
Each character in Serial Number field can be alphanumeric A-Z

# SLG5NT1533V

20 mΩ, Fast Turn On, 2.5 A  
Load Switch with Discharge

## Package Drawing and Dimensions

8 Lead STDFN Package 1.0 x 1.6 mm (Fused Lead)



Unit: mm

Symbol	Min	Nom.	Max	Symbol	Min	Nom.	Max
A	0.50	0.55	0.60	D	1.55	1.60	1.65
A1	0.005	-	0.060	E	0.95	1.00	1.05
A2	0.10	0.15	0.20	L	0.35	0.40	0.45
b	0.13	0.18	0.23	L1	0.10	0.15	0.20
e	0.40 BSC			S	0.2 REF		

## SLG5NT1533V

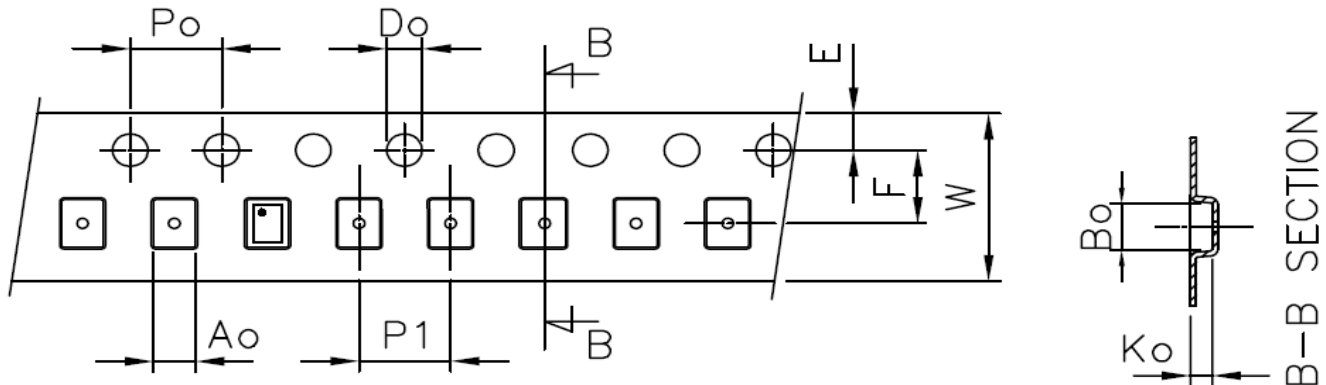
20 mΩ, Fast Turn On, 2.5 A  
Load Switch with Discharge

### Tape and Reel Specifications

Package Type	# of Pins	Nominal Package Size [mm]	Max Units		Reel & Hub Size [mm]	Leader (min)		Trailer (min)		Tape Width [mm]	Part Pitch [mm]
			per Reel	per Box		Pockets	Length [mm]	Pockets	Length [mm]		
STDFN 8L 1x1.6mm 0.4P FC Green	8	1.0 x 1.6 x 0.55	3,000	3,000	178 / 60	100	400	100	400	8	4

### Carrier Tape Drawing and Dimensions

Package Type	Pocket BTM Length	Pocket BTM Width	Pocket Depth	Index Hole Pitch	Pocket Pitch	Index Hole Diameter	Index Hole to Tape Edge	Index Hole to Pocket Center	Tape Width
	A0	B0	K0	P0	P1	D0	E	F	W
STDFN 8L 1x1.6mm 0.4P FC Green	1.12	1.72	0.7	4	4	1.55	1.75	3.5	8



### Recommended Reflow Soldering Profile

Please see IPC/JEDEC J-STD-020: latest revision for reflow profile based on package volume of 0.88 mm<sup>3</sup> (nominal). More information can be found at [www.jedec.org](http://www.jedec.org).

## SLG5NT1533V

20 mΩ, Fast Turn On, 2.5 A  
Load Switch with Discharge

### Revision History

Date	Version	Change
2/3/2022	1.07	Updated Company name and logo Fixed typos
11/26/2018	1.06	Added Junction Temperature to Abs Max Table
11/8/2018	1.05	Updated Style and formatting Updated Abs, Max and Electrical Characteristics tables Added Applications information Added Layout Guidelines
8/14/2015	1.04	Add support for 0.85 VD
4/22/2015	1.03	Removed TBD from Timing Diagram
4/20/2015	1.02	Fixed Block Diagram (added Discharge Resistor)
9/15/2014	1.01	Added MSL
6/16/2014	1.0	Production release

## IMPORTANT NOTICE AND DISCLAIMER

RENESAS ELECTRONICS CORPORATION AND ITS SUBSIDIARIES (“RENESAS”) PROVIDES TECHNICAL SPECIFICATIONS AND RELIABILITY DATA (INCLUDING DATASHEETS), DESIGN RESOURCES (INCLUDING REFERENCE DESIGNS), APPLICATION OR OTHER DESIGN ADVICE, WEB TOOLS, SAFETY INFORMATION, AND OTHER RESOURCES “AS IS” AND WITH ALL FAULTS, AND DISCLAIMS ALL WARRANTIES, EXPRESS OR IMPLIED, INCLUDING, WITHOUT LIMITATION, ANY IMPLIED WARRANTIES OF MERCHANTABILITY, FITNESS FOR A PARTICULAR PURPOSE, OR NON-INFRINGEMENT OF THIRD PARTY INTELLECTUAL PROPERTY RIGHTS.

These resources are intended for developers skilled in the art designing with Renesas products. You are solely responsible for (1) selecting the appropriate products for your application, (2) designing, validating, and testing your application, and (3) ensuring your application meets applicable standards, and any other safety, security, or other requirements. These resources are subject to change without notice. Renesas grants you permission to use these resources only for development of an application that uses Renesas products. Other reproduction or use of these resources is strictly prohibited. No license is granted to any other Renesas intellectual property or to any third party intellectual property. Renesas disclaims responsibility for, and you will fully indemnify Renesas and its representatives against, any claims, damages, costs, losses, or liabilities arising out of your use of these resources. Renesas' products are provided only subject to Renesas' Terms and Conditions of Sale or other applicable terms agreed to in writing. No use of any Renesas resources expands or otherwise alters any applicable warranties or warranty disclaimers for these products.

(Rev.1.0 Mar 2020)

### Corporate Headquarters

TOYOSU FORESIA, 3-2-24 Toyosu,  
Koto-ku, Tokyo 135-0061, Japan  
[www.renesas.com](http://www.renesas.com)

### Contact Information

For further information on a product, technology, the most up-to-date version of a document, or your nearest sales office, please visit:  
[www.renesas.com/contact/](http://www.renesas.com/contact/)

### Trademarks

Renesas and the Renesas logo are trademarks of Renesas Electronics Corporation. All trademarks and registered trademarks are the property of their respective owners.



# Mouser Electronics

Authorized Distributor

Click to View Pricing, Inventory, Delivery & Lifecycle Information:

[Dialog Semiconductor:](#)

[SLG5NT1533V](#)