

DIA3000

DPDT USB 2.0 High-Speed and Mobile High-Definition Link (MHL) 5.8GHz Switch

Features

- Wide V_{CC} Input Voltage Range: 2.3V to 5.5V
- USB Channel:
 - Bandwidth (-3dB): 5.8GHz
 - R_{ON} (Typ.): 4.6 Ω
 - C_{ON} (Typ.): 1.2pF
- Mobile High Definition Link (MHL) Channel:
 - Bandwidth (-3dB): 5.5GHz
 - R_{ON} (Typ.): 5.7 Ω
 - C_{ON} (Typ.): 1.4pF
- Ultra-Low Power Consumption: 20 μ A (Typ.)
- Additional Features:
 - Power-off Protection: Low Current Leakage in Powered-Down State ($V_{CC} = 0V$)
 - Overvoltage Tolerance (OVT) on all I/O Pins up to 5.5V
 - Overvoltage Protection of 9V Short to Data Pins
- Packaged in QFN2*1.5-10

Applications

- Portable Instrumentation
- Digital Still Cameras
- Tablets
- Mobile phones

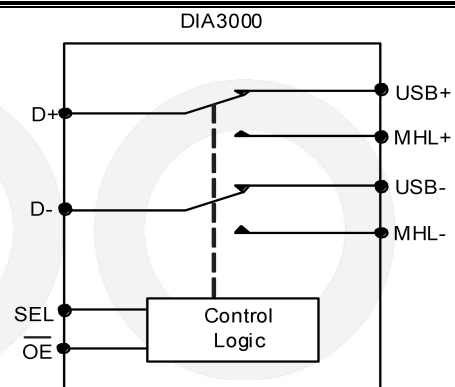
Descriptions

The DIA3000 is a dual single-pole, double throw (SPDT) switch with a Mobile High-Definition Link (MHL) switch and an USB2.0 High-Speed (480Mbps) switch housed in the same package. Wide bandwidth of this product allows the sharing of the USB connector for both MHL video signals and USB data transmission.

The DIA3000 offers wide V_{CC} input voltage range of 2.3V to 5.5V and features overvoltage tolerance (OVT) function, which allows the I/O pins to withstand overvoltage conditions (up to 5.5V). The power-off protection feature forces all I/O pins to be in high-impedance mode when power is not present or 0V without excessive leakage current. 1.8V compatible control logic of DIA3000 allows the direct interface with the General-Purpose I/O (GPIO) of the baseband processor.

The DIA3000 is housed in small QFN2*1.5-10, which makes it a perfect candidate to be used in handheld applications.

Block Diagram



Ordering Information

Order Part Number	Top Marking		T_A	Package	
DIA3000QN10	YW3D	Green	-40 to 85°C	QFN2*1.5-10	Tape & Reel,3000

Pin Assignment

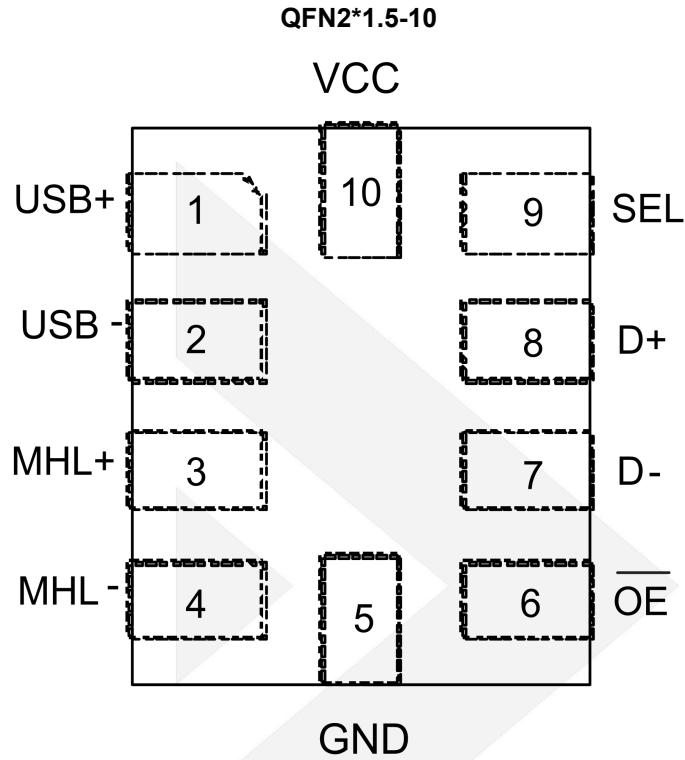


Figure 1. Top View

Pin Descriptions

Pin Name	Direction	Description
USB+	I/O	USB Data Link (Differential+)
USB-	I/O	USB Data Link (Differential-)
MHL+	I/O	MHL Data Link (Differential+)
MHL-	I/O	MHL Data Link (Differential-)
GND	-	Ground
$\overline{\text{OE}}$	I	Output Enable (Active Low)
D-	I/O	Switch Output (Differential-)
D+	I/O	Switch Output (Differential+)
SEL	I	Switch Select (LOW=D+/D- To USB+/USBHIGH=D+/D- To MHL+/MHL-)
VCC	-	Power Supply Pin

Absolute Maximum Ratings

Stresses beyond those listed under "Absolute Maximum Rating" may cause permanent damage to the device. These are stress ratings only and functional operation of the device at these or any other condition beyond those indicated in the operational sections of the specifications is not implied. Exposure to absolute maximum rating conditions for extended periods may affect device reliability.

Symbol	Parameter	Min	Max	Unit
V_{CC}	Supply Voltage	-0.3	6	V
$V_{I/O}$	Input-Output DC Voltage	-0.3	6	V
V_{D-}	D- DC Voltage ⁽¹⁾	-0.3	9	V
V_I	Digital Input Voltage (SEL, \overline{OE})	-0.3	6	V
I_K	Input-Output Port Diode Current ($V_{I/O} < 0$)	-50		mA
I_{IK}	Digital Logic Input Clamp Current ($V_I < 0$)	-50		mA
I_{CC}	Continuous Current Through VCC		100	mA
I_{GND}	Continuous Current Through GND	-100		mA
T_{stg}	Storage Temperature	-65	150	°C
ESD	Human Body Model (HBM)	-5500	5500	V

(1) This rating only applies to the D- pin with respect to GND. VCC must be powered within the recommended operating conditions of 2.3V to 5.5V and the \overline{OE} pin must be logic high for this rating to be applicable. Any condition where VCC is unpowered or the \overline{OE} pin is not high must reference the rest of the Absolute Maximum Ratings Table.

Recommend Operating Conditions

The Recommended Operating Conditions table defines the conditions for actual device operation. Recommended Operating conditions are specified to ensure optimal performance to the datasheet specifications. DIOO does not Recommend exceeding them or designing to Absolute Maximum Ratings.

Symbol	Parameter	Rating	Unit
V_{CC}	Supply Voltage	2.3to 5.5	V
$V_{I/O (USB)}$	Analog Voltage	0 to V_{CC}	V
$V_{I/O (MHL)}$			
V_I	Digital Input Voltage (SEL, \overline{OE})	0 to V_{CC}	V
$T_{RAMP (V_{CC})}$	Power Supply Ramp Time Requirement (V_{CC})	100 to 1000	$\mu s/V$
T_A	Operating Free-Air Temperature	-40 to 85	°C
$R_{\theta JA}$	Junction-To-Ambient Thermal Resistance	193	°C/W
$R_{\theta JC(top)}$	Junction-To-Case (Top) Thermal Resistance	96	°C/W
$R_{\theta JB}$	Junction-To-Board Thermal Resistance	118	°C/W
θ_{JT}	Junction-To-Top Characterization Parameter	7.8	°C/W
θ_{JB}	Junction-To-Board Characterization Parameter	118	°C/W

Electrical Characteristics

T_A = -40°C to 85°C, Typical values are at V_{CC} = 3.3V, T_A = 25°C, (unless otherwise noted)

Symbol	Parameter	Conditions	Min	Typ	Max	Unit
MHL SWITCH						
R _{ON}	ON-State Resistance	V _{CC} =2.7V, V _{I/O} =1.65V, I _{ON} =-8mA		5.7	9	Ω
		V _{CC} =2.3V, V _{I/O} =1.65V, I _{ON} =-8mA		5.7	9.5	
ΔR _{ON}	ON-State Resistance Match between + and - Paths	V _{CC} =2.3V, V _{I/O} =1.65V, I _{ON} =-8mA		0.1		Ω
I _{OZ}	OFF Leakage Current	V _{CC} =5V, Switch OFF, V _{MHL±} =1.65V to 3.45V, V _{D±} =0V	-2		2	μA
I _{ON}	ON Leakage Current	V _{CC} =5V, Switch ON, V _{MHL±} =1.65V to 3.45V, V _{D±} = NC	-2		2	μA
Z _{ON_GND}	ON-State Impedance to GND	V _{I/O} =0V to 1.8V, T _A =-40°C to 85°C	7			MΩ
USB SWITCH						
R _{ON}	ON-State Resistance	V _{CC} =2.3V, V _{I/O} =0.4V, I _{ON} =-8mA		4.6	7.5	Ω
ΔR _{ON}	ON-State Resistance Match between + and - Paths	V _{CC} =2.3V, V _{I/O} =0.4V, I _{ON} =-8mA		0.1		Ω
I _{OZ}	OFF Leakage Current	V _{CC} =5V, Switch OFF, V _{USB±} =0V to 3.6V, V _{D±} =0V	-2		2	μA
I _{ON}	ON Leakage Current	V _{CC} =5V, Switch ON, V _{USB±} =0V to 3.6V, V _{D±} =NC	-2		2	μA
Z _{ON_GND}	ON-State Impedance to GND	V _{I/O} =0V to 1.8V, T _A =-40°C to 85°C	7			MΩ
DIGITAL CONTROL INPUTS (SEL, \overline{OE})						
V _{IH}	Input Logic High	V _{CC} =2.3V to 5V	1.3			V
V _{IL}	Input Logic Low	V _{CC} =2.3V to 5V			0.6	V
I _{IN}	Input Leakage Current	V _{CC} =5V, V _{I/O} =0V to 3.6V, V _{IN} =0 to 5V	-10		10	μA

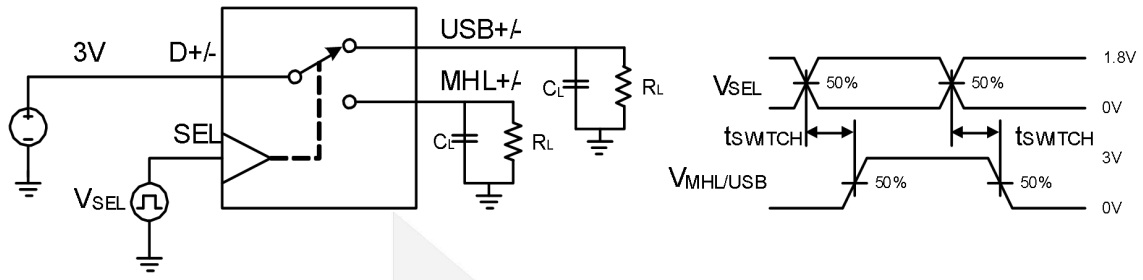
Dynamic Characteristics

Overoperating free-air temperature range (unless otherwise noted)

Symbol	Parameter	Conditions	Min	Typ	Max	Unit
$C_{ON(MHL)}$	MHL Path ON Capacitance	$V_{CC}=3.3V$, $V_{I/O}=0$ or $3.3V$, $f=240MHz$, Switch ON		1.4	1.8	pF
$C_{ON(USB)}$	USB Path ON Capacitance	$V_{CC}=3.3V$, $V_{I/O}=0$ or $3.3V$, $f=240MHz$, Switch ON		1.2	1.6	pF
C_I	Digital Input Capacitance	$V_{CC}=3.3V$, $V_I=0$ or $2V$		2.2		pF
O_{ISO}	OFF Isolation	$V_{CC}=2.3V$ to $5V$, $R_L=50\Omega$, $f=240MHz$, Switch OFF		-36		dB
X_{TALK}	Crosstalk	$V_{CC}=2.3V$ to $5V$, $R_L=50\Omega$, $f=240MHz$, Switch ON		-42		dB
$B_{W(MHL)}$	MHL Path -3dB Bandwidth	$V_{CC}=2.3V$ to $5V$, $R_L=50\Omega$, $f=240MHz$, Switch ON		5.5		GHz
$B_{W(USB)}$	USB Path -3dB Bandwidth	$V_{CC}=2.3V$ to $5V$, $R_L=50\Omega$, $f=240MHz$, Switch ON		5.8		GHz
SUPPLY						
V_{CC}	Power Supply Voltage		2.3		5.5	V
I_{CC}	Positive Supply Current	$V_{CC}=5V$, $V_{IN}=V_{CC}$ or GND, $V_{I/O}=0V$, Switch ON or OFF		20	40	μA
$I_{CC, HZ}$	Power Supply Current In High-Z Mode	$V_{CC}=5V$, $V_{IN}=V_{CC}$ or GND, $V_{I/O}=0V$, Switch ON or OFF, $\overline{OE}=H$		1	5	μA

Timing Requirements

Symbol	Conditions		Min	Nom	Max	Unit
t_{switch}	Switching Time (SEL To Output)	See Figure 2		60		ns
$t_{ZH, ZL(MHL)}$	MHL Enable Time (\overline{OE} To Output)	$V_{I/O}=3.3V$ or $0V$ $R_L=50\Omega, C_L=5pF,$ $V_{CC}=2.3V$ to $5V$		7		μs
$t_{HZ, LZ(MHL)}$	MHL Disable Time (\overline{OE} To Output)			22		ns
$t_{ZH, ZL(USB)}$	USB Enable Time (\overline{OE} To Output)			7		μs
$t_{HZ, LZ(USB)}$	USB Disable Time (\overline{OE} To Output)	$V_{I/O}=0.8V$ or $0V$		17		ns



- (1) All input pulses are supplied by generators having the following characteristics: PRR≤10MHz, Z₀=50Ω, t_r<5ns, t_f<5ns.
- (2) C_L includes probe and jig capacitance.

Figure 2. Timing Diagram

Typical Performance Characteristics

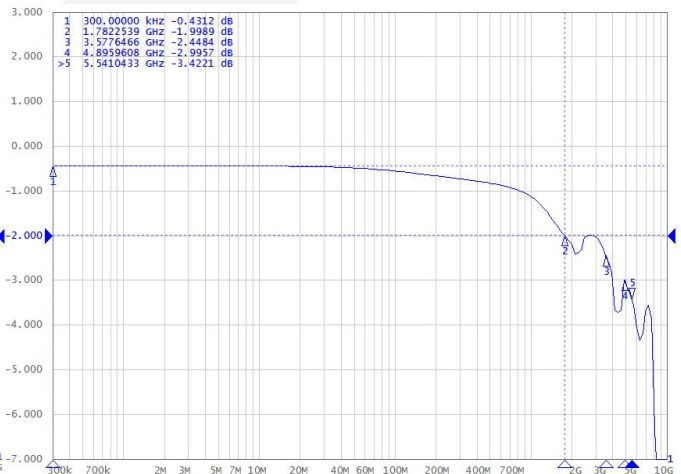
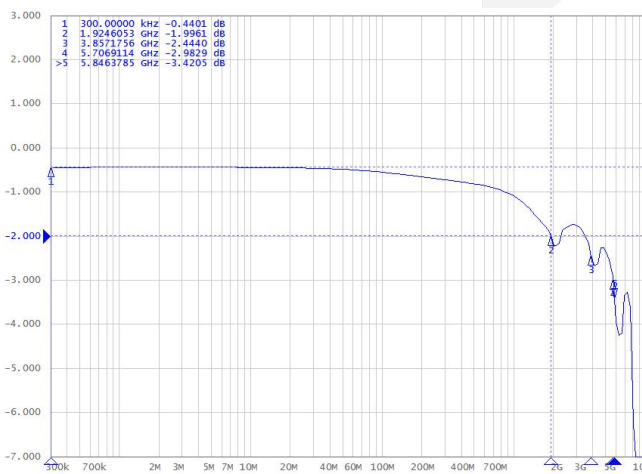


Figure 3. Differential S21 vs Frequency USB Switch

Figure 4. Differential S21 vs Frequency MHL Switch

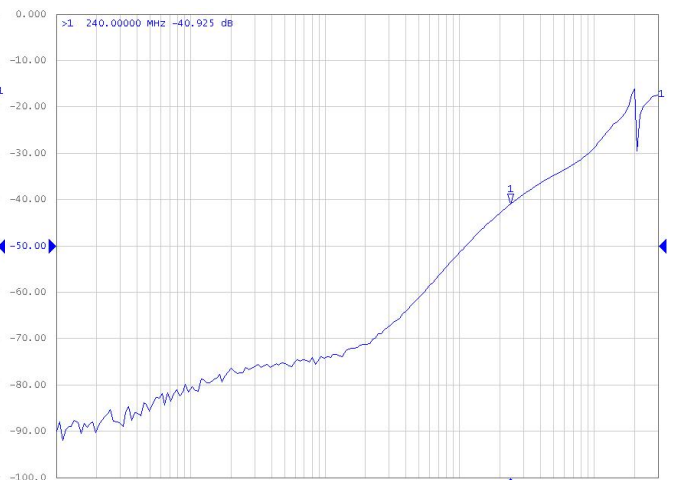
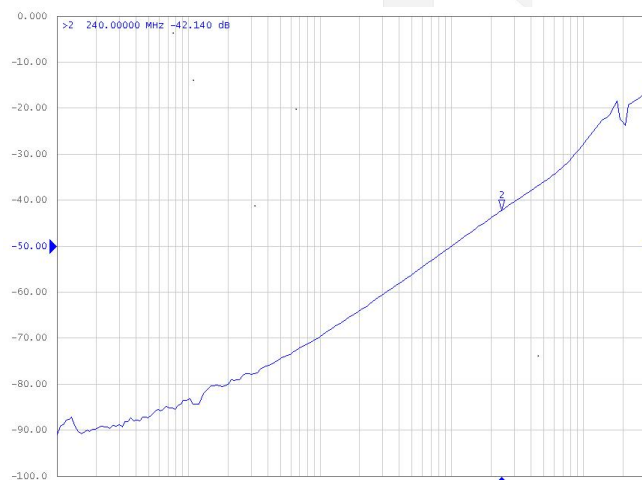


Figure 5. CrossTalk Vs Frequency for USB Path

Figure 6. CrossTalk Vs Frequency for MHL Path

Typical Performance Characteristics (Continued)

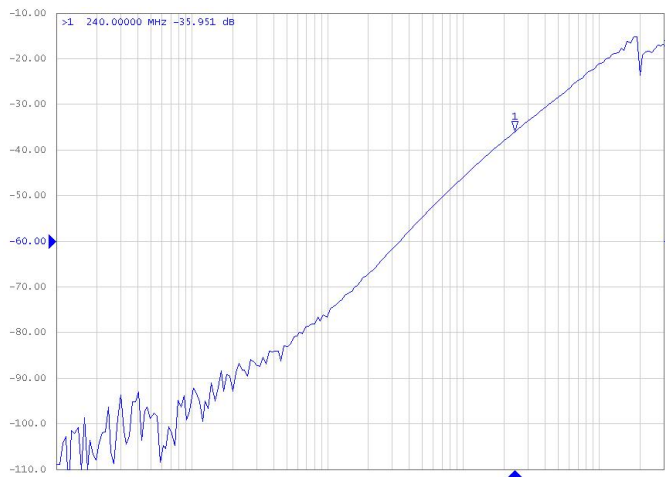


Figure 7. Off Isolation Vs Frequency for USB Path

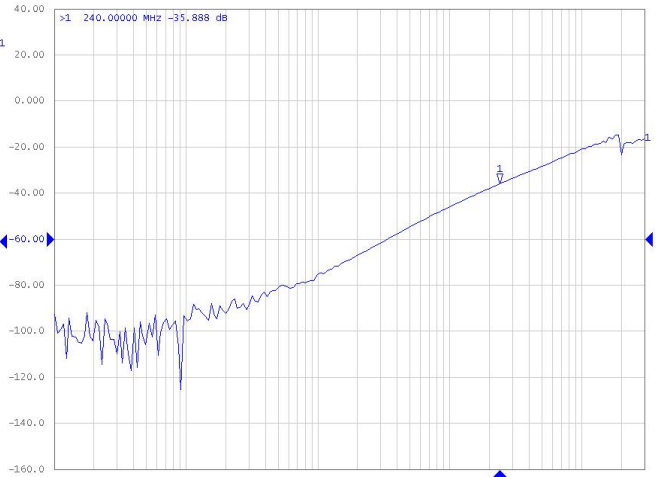


Figure 8. Off Isolation Vs Frequency for MHL Path

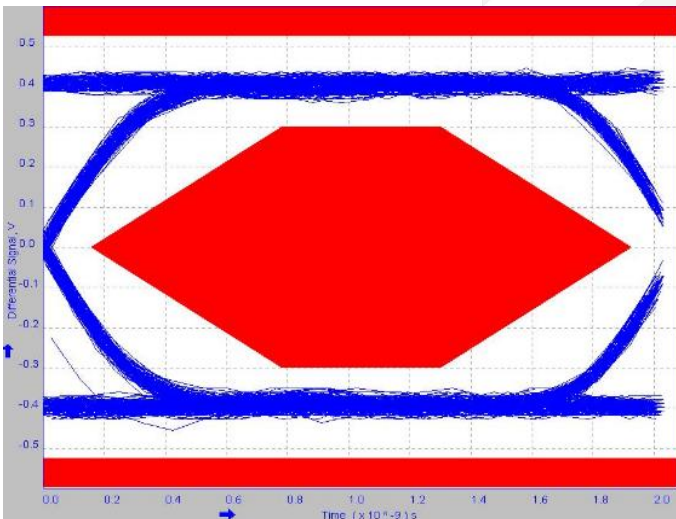
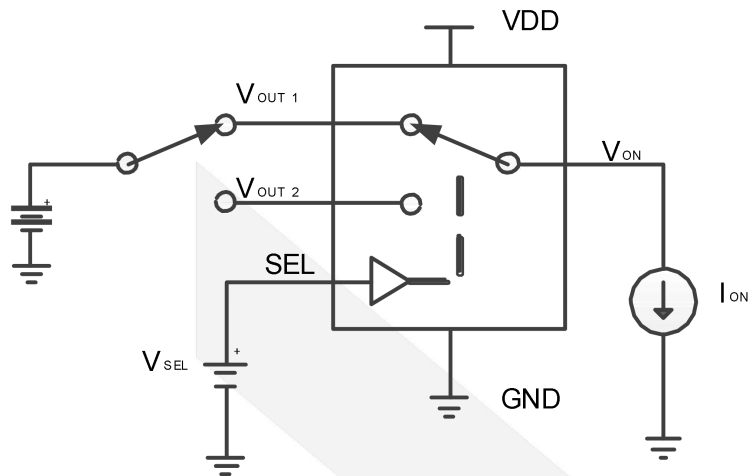


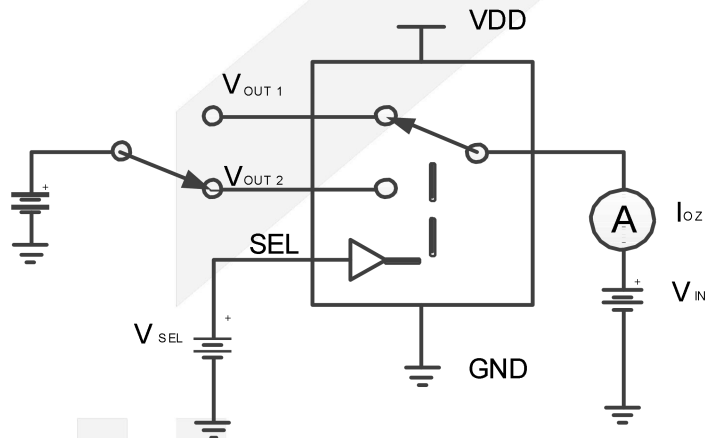
Figure 9. 480-Mbps USB2.0 Eye Pattern for USB Switch With DIA3000

Application Information



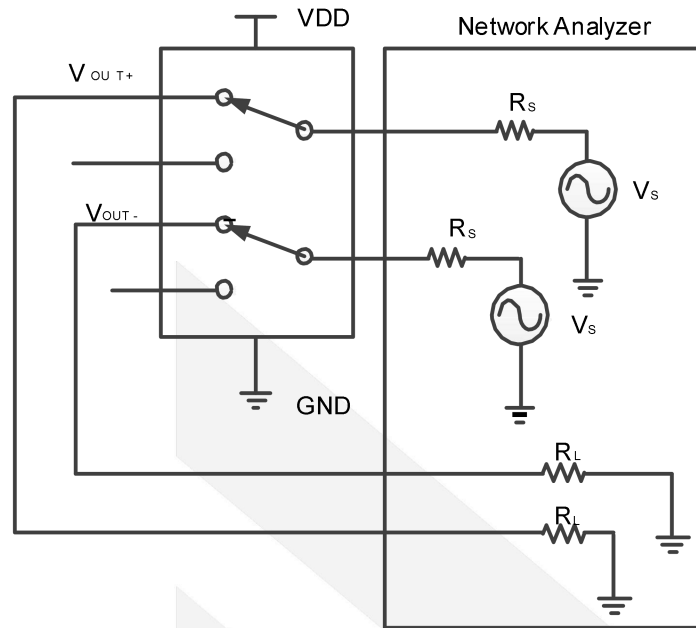
Channel ON, $R_{ON} = (V_{ON} - V_{I/O1}) / I_{ON}$ or $(V_{ON} - V_{I/O2}) / I_{ON}$, $V_{SEL} = H$ or L

Figure 10. ON-State Resistance (R_{ON})



Channel OFF, $V_{SEL} = H$ or L

Figure 11. OFF Leakage Current (I_{OZ})



Channel ON, $V_{SEL}=H$ or L , $R_S=R_L=50\Omega$

Figure 12. Bandwidth (BW)

Detailed Description

Functional Block Diagram

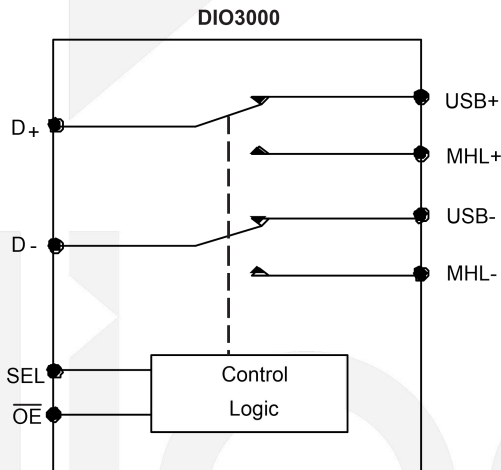


Table 1. Function Table

SEL	\overline{OE}	SWITCH STATUS
X	High	Both USB and MHL switches in High-Z
Low	Low	D+/D- to USB+/USB-
High	Low	D+/D- to MHL+/MHL-

Feature Description

Low Power Mode

The DIA3000 has a low power mode that reduces the power consumption to 1 μ A while the device is not in use. Set enable pin \overline{OE} with a logic High signal to put IC in low power mode.

Overvoltage Protection when 9V Short to D- Pin

The DIA3000 can be used to protect the system when the D- pin is exposed to voltages less than 9V. Voltages higher than 9V may damage the device.

In Figure 13, the system has an application processor (AP) which cannot survive 9V on the USB data lines. The following procedure protects the system and the DIA3000.

1. The AP detects a dedicated charging port (DCP) is connected to the USB port.
2. To disable the switches, the AP pulls the \overline{OE} pin high. The DIA3000 is now in low-power mode and can protect the AP.
3. The AP negotiates to Charger for a faster charging mode with VBUS up to 9V.

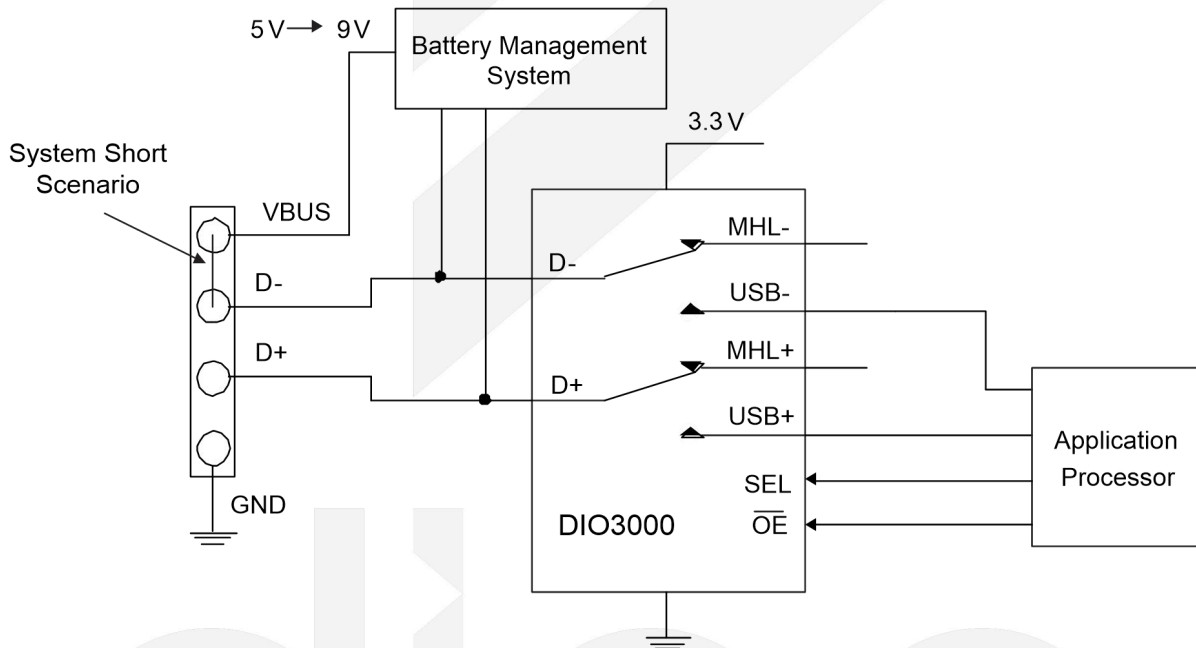


Figure 13. Potential VBUS to D-Short Example

Typical Application

Figure 14 is a typical application of the DIA3000 USB/MHL switch. The DIA3000 has internal 6M Ω pulldown resistors on \overline{OE} and SEL. The pulldown on \overline{OE} pin enables the switch when power is applied. The pulldown on SEL pin ensure the USB channel is selected by default. The DIO3157E is a separate SPDT switch that is used to switch between MHL's CBUS and the USB ID line that is needed for USB OTG (USB On-The-Go) application.

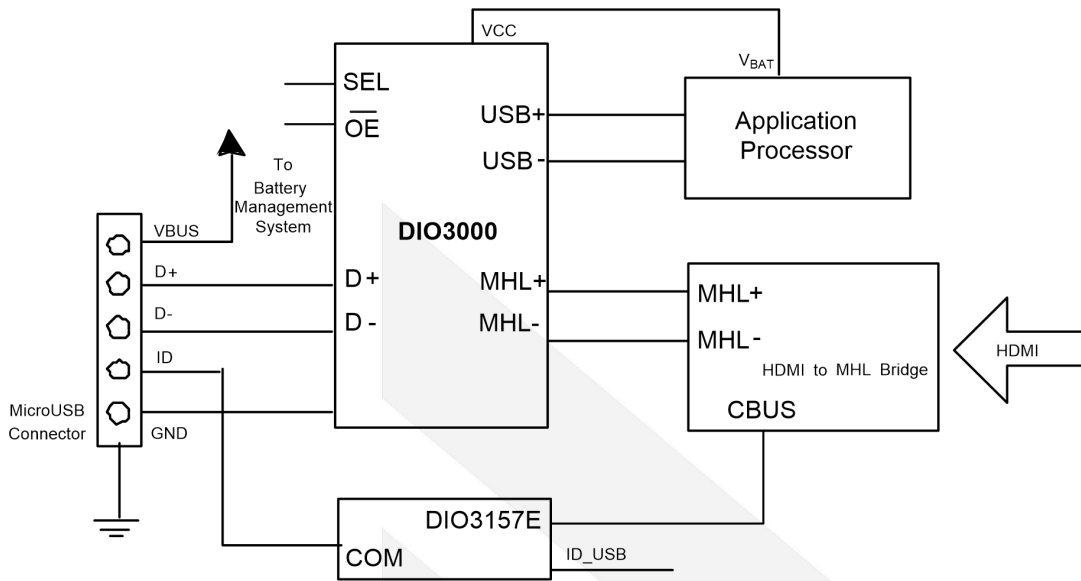
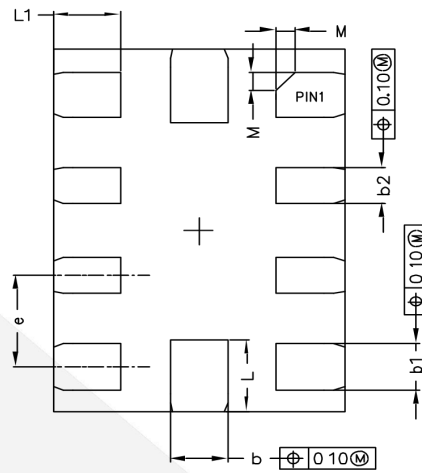
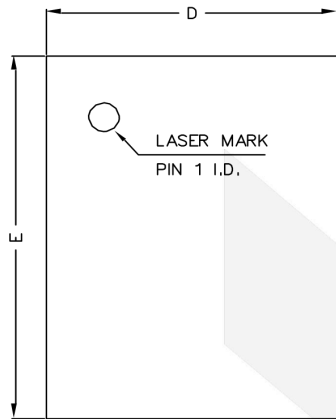


Figure 14. Typical DIA3000 Application

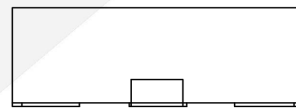
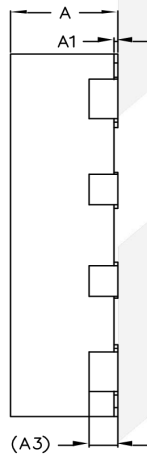


Physical Dimensions: QFN2*1.5-10



TOP VIEW

BOTTOM VIEW

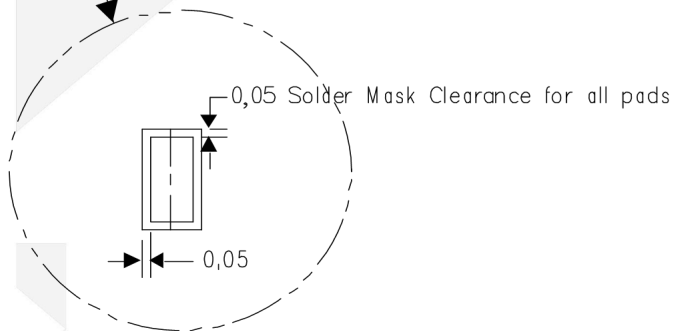
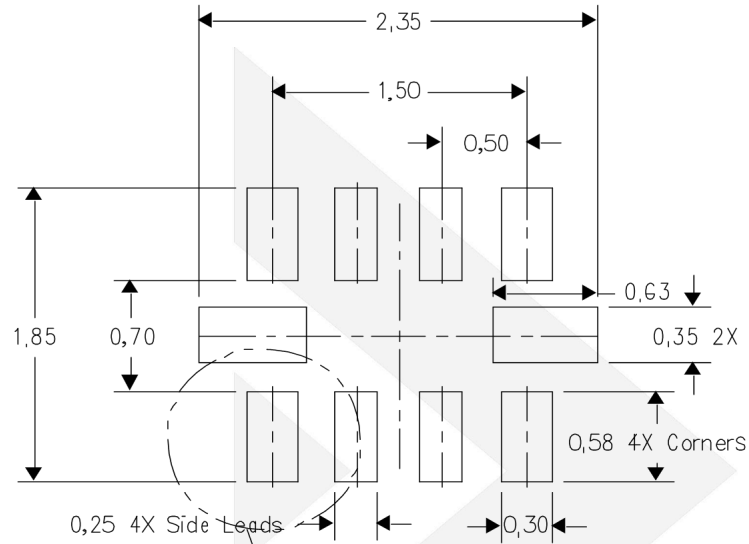


SIDE VIEW

SIDE VIEW

COMMON DIMENSIONS (UNITS OF MEASURE=MILLIMETER)			
Symbol	MIN	NOM	MAX
A	0.50	0.55	0.60
A1	0	0.02	0.05
A3	0.152REF		
b	0.25	0.30	0.35
b1	0.20	0.25	0.30
b2	0.15	0.20	0.25
D	1.45	1.50	1.55
E	1.95	2.00	2.05
e	0.40	0.50	0.60
L	0.35	0.40	0.45
L1	0.30	0.35	0.40
M	0.10REF		

Example Board Layout



dioo

CONTACT US

Dioo is a professional design and sales corporation for high-quality and performance analog semiconductors. The company focuses on industry markets, such as, cell phone, handheld products, laptop, and medical equipment and so on. Dioo's product families include analog signal processing and amplifying, LED drivers and charger IC. Go to <http://www.dioo.com> for a complete list of Dioo product families.

For additional product information, or full datasheet, please contact with our Sales Department or Representatives.

