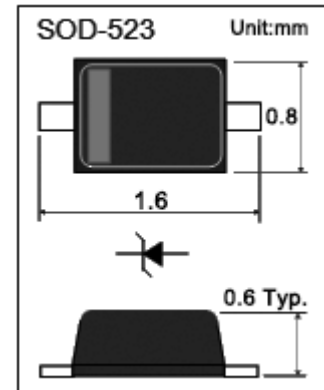


Small Signal Schottky DIODE / DATA SHEET

SD103AX

- ◇ Low Forward Voltage Drop
- ◇ **SOD523** Micro SMD package
- ◇ RoHS compliant / Green EMC
- ◇ Matte Tin (Sn) Lead finish
- ◇ Cathode Band / Device marking
- ◇ Surface Mount Package Ideally Suited for Automatic Insertion

Device Marking Code	
SD103AX	■ S4



Maximum Ratings (Ta = 25 °C)

Symbol	Parameter	Value	Units
V_{RRM}	Peak Repetive Reverse Voltage	40	V
V_{RWM}	Working Peak Reverse Voltage	40	V
V_R	DC Blocking Voltage	40	V
$V_{R(RMS)}$	RMS Reverse Voltage	28	V
I_{FM}	Forward Continuous Current	350	mA
I_{FSM}	Non-Repetitive Peak Forward Surge Current (@t=8..3ms)	2.0	A
P_D	Power Dissipation	200	mW
T_J	Junction Temperature	125	°C
T_{STG}	Storage Temperature	-55 to +150	°C
$R_{\theta JA}$	Thermal Resistance From Junction To Ambient	625	°C/W

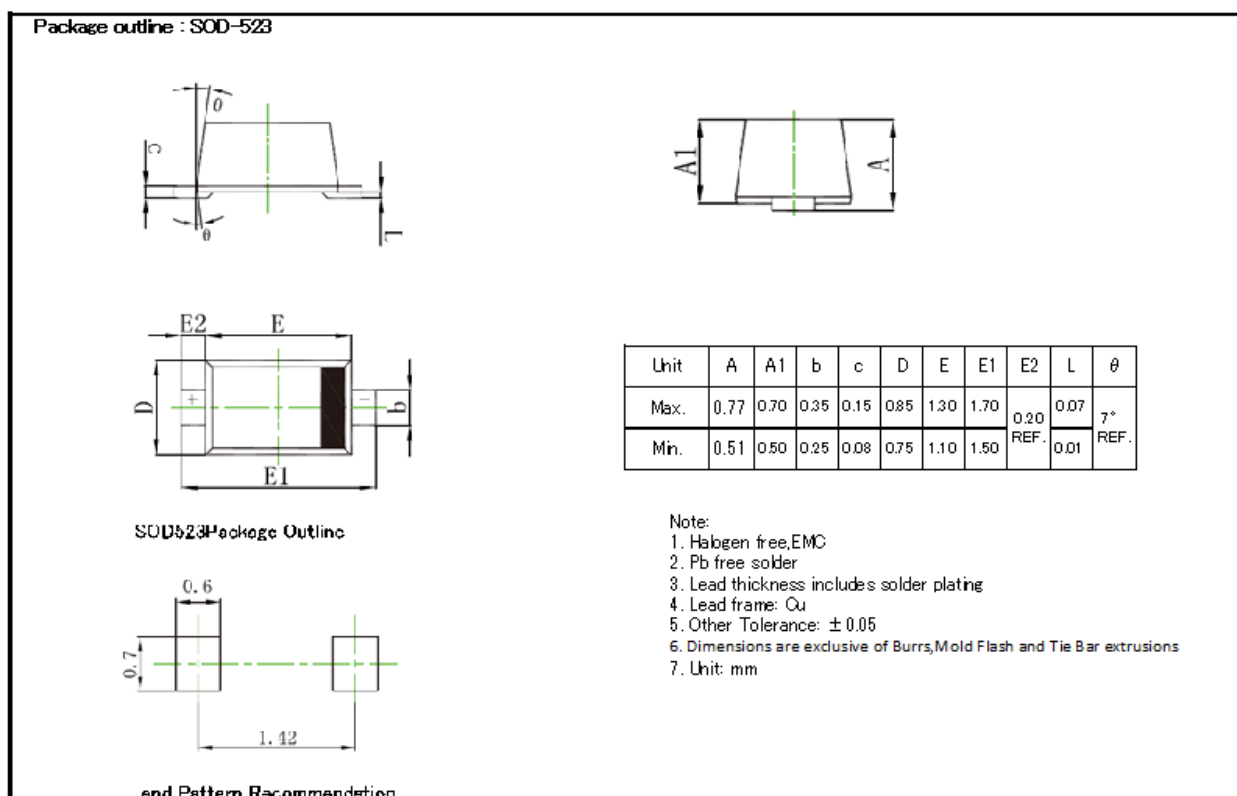
Electrical Characteristics (Ta = 25 °C)

Symbol	Parameter	Conditions	Min	Max	Units
V_{BR}	Reverse Voltage	$I_F = 100\mu A$	40		V
V_F	Forward Voltage	$I_F = 20mA$		0.37	V
		$I_F = 200mA$		0.60	V
I_R	Reverse current	$V_R = 30V$		5	μA
C_T	Capacitance	$V_R = 0V, f = 1MHz$		50	pF
t_{rr}	Reverse Recovery Time	$I_F = I_R = 50mA, R_L = 100\Omega$		4	ns

Ordering Information

Device	Package	Shipping	Tape wide	Emboss pitch	Tape specification	Notes
SD103AX	SOD523	Tape & Reel 8000pcs /7" Reel	8 mm	4 mm	Conductive	

Package Dimensions



NOTICE

AM'S PRODUCTS ARE NOT AUTHORIZED FOR USE AS COMPONENTS IN ANY LIFE SUPPORT DEVICES OR SYSTEMS.

AM reserve the right to make modifications, enhancements, improvements, corrections or other changes without further notice to any product herein. AM does not assume any liability arising out of the application or use of any product described herein.