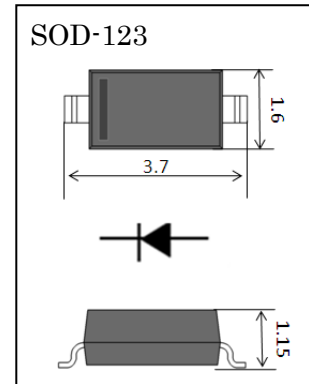


Schottky Barrier Diode / DATA SHEET

MBR0520-MBR0580

- ◇ Low Forward Voltage Schottky Rectifier
- ◇ RoHS compliant / Green EMC
- ◇ Matte Tin (Sn) Lead finish
- ◇ Moisture Level Sensitivity 1
- ◇ Cathode Band / Device marking

Device Marking Code	
MBR0520	R2 •
MBR0530	R3 •
MBR0540	R4 •
MBR0560	R6 •
MBR0580	R8 •



Absolute Maximum Ratings (Ta = 25 °C)

Symbol	Parameter	Value					Units
		20	30	40	60	80	
V_{RRM}	Maximum recurrent peak reverse voltage	20	30	40	60	80	V
V_{RMS}	Maximum RMS voltage	14	21	28	42	56	
I_O	Continuous Forward Current	0.5					A
I_{FSM}	Non-repetitive Peak Forward Surge Current*1	5.5					A
P_D	Power Dissipation	410					mW
T_{STG}	Storage Temperature	-65 to +150					°C

*1 8.3 ms single half sine-wave

Electrical Characteristics (Ta = 25 °C)

Device	Symbol	Parameter	Conditions	Min	Typ	Max	Units	
MBR0520	V_F	Forward Voltage	$I_F = 0.5A$			0.45	V	
MBR0530						0.55		
MBR0540						0.55		
MBR0560						0.70		
MBR0580						0.80		
MBR0520	I_R	Reverse Current	$V_R = 20V$			200	μA	
MBR0530								$V_R = 30V$
MBR0540								$V_R = 40V$
MBR0560								$V_R = 60V$
MBR0580								$V_R = 80V$
MBR series	C_T	Capacitance	$V_R = 4V, f = 1MHz$		30		pF	

Ordering Information

Device	Package	Shipping	Tape wide	Emboss pitch	Tape specification	Notes
MBR series	SOD123	Tape & Reel 3000pcs /7" Reel	8 mm	4 mm	Conductive	

Package Dimensions

